



SUBMITTAL DATA - **OUTDOOR UNIT**

VRA216L4M-2G

VRA096L4M-2G + VRA120L4M-2G

VRF LOW AMBIENT HEAT RECOVERY

Job: _____
Location: _____
Schedule No.: _____
System Designation: _____

Engineer: _____
Architect: _____
Date: _____
 For: Reference Approval Review Construction

FEATURES

- Built-in Base Pan Heater
- Hinged electrical box for ease of maintenance
- High efficiency DC Inverter scroll compressor
- Split coil heat exchanger provides continuous heating during defrost

SPECIFICATIONS

PERFORMANCE

| | | |
|--|--------------------|---------|
| Cooling Capacity ¹ (Btu/h) | Nominal | 216,000 |
| | Rated ² | 206,000 |
| EER | Ducted | 10.80 |
| | Non-Ducted | 11.40 |
| IEER | Ducted | 20.60 |
| | Non-Ducted | 20.70 |
| Simultaneous Heating and Cooling Efficiency (SCHE) | Ducted | 26.30 |
| | Non-Ducted | 26.30 |
| Heating Capacity ¹ (Btu/h) | | 224,000 |
| COP47 | Ducted | 3.45 |
| | Non-Ducted | 3.58 |
| COP17 | Ducted | 2.23 |
| | Non-Ducted | 2.28 |

ELECTRICAL DATA

| | |
|-------------------------------------|---------------|
| Power Supply ³ (V/Hz/Ph) | 460/60/3 |
| Minimum Circuit Ampacity (A) | 32.1 + 34.4 |
| Maximum Overcurrent Protection (A) | 40 + 45 |
| Compressor RLA (A) | 12/11 + 13/12 |
| No. of Compressors | 2 + 2 |
| Outdoor Fan Power Input (W) | (2) 750/750 |
| Outdoor Fan FLA (A) | (2) 1.8/1.8 |

GENERAL DATA

| | |
|----------------------------|-------------|
| Connection Ratio | 50% to 130% |
| Max # of Indoor Units | 36 units |
| Refrigerant type | R-410A |
| Factory refrigerant charge | 22 lbs. |

DIMENSIONS

| | | |
|------------------------------|--------|---------|
| Unit Dimensions (in) | Height | 63-1/8 |
| | Width | 49-1/4 |
| | Depth | 30-1/8 |
| Liquid Pipe Connection (in.) | | 1/2 |
| Gas Pipe Connection (in.) | | 7/8 |
| Net Weight (lb) | | (2) 781 |



WARRANTY⁴

- Compressor - 10 year limited warranty
- All other components - 10 year limited warranty

NOTES

1. Cooling and Heating Capacity data is rated at the following conditions:
Cooling: 80°FDB / 67°FWB Indoor, 95°FDB Outdoor
Heating: 70°FDB Indoor, 47°FDB / 43°FWB Indoor
2. Complies with AHRI 1230-2014 testing standards
3. Operating Voltage Range: 423V to 497V
4. See Warranty for Details



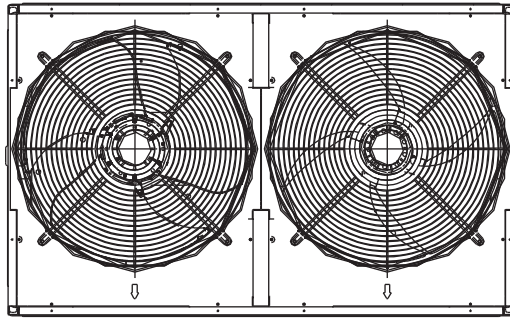


SUBMITTAL DATA - **OUTDOOR UNIT**

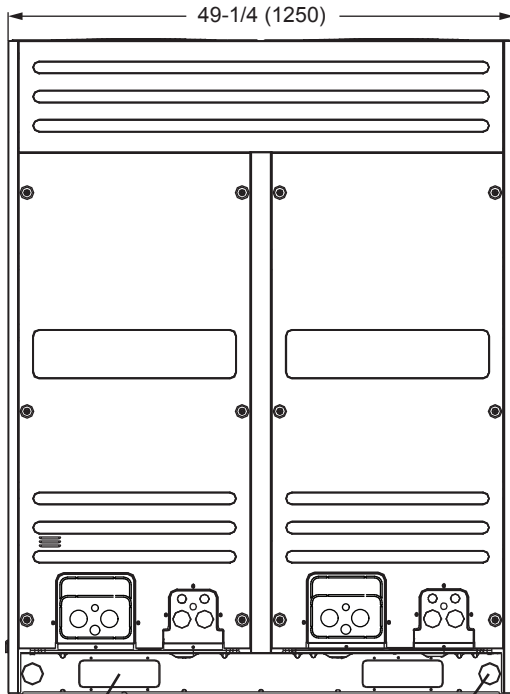
VRA216L4M-2G

VRA096L4M-2G + VRA120L4M-2G **VRF LOW AMBIENT HEAT RECOVERY**

DIMENSIONS - INCHES (MM)



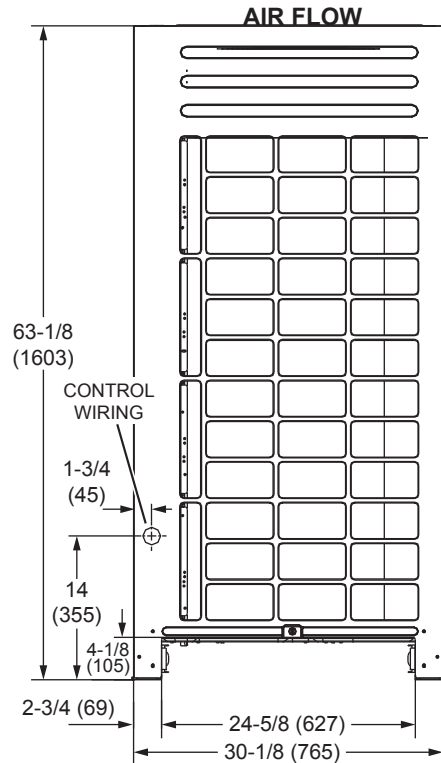
TOP VIEW



FORKLIFT SLOT
(BOTH SIDES)

LIFTING HOLES
(FOR RIGGING)

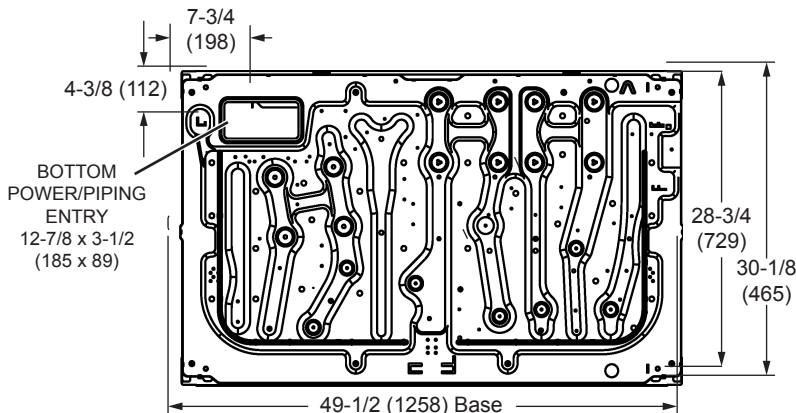
FRONT VIEW



AIR FLOW

AIR FLOW

SIDE VIEW



BASE VIEW

DISCLAIMER – Due to Lennox' ongoing commitment to quality, Specifications, Ratings and Dimensions subject to change without notice and without incurring liability. Improper installation, adjustment, alteration, service or maintenance can cause property damage or personal injury. Installation and service must be performed by a qualified installer and servicing agency.