



SUBMITTAL DATA - **OUTDOOR UNIT**

VPA120L4M-2Y

VRF LOW AMBIENT HEAT PUMP

Job: _____

Location: _____

Schedule No.: _____

System Designation: _____

Engineer: _____

Architect: _____

Date: _____

For: Reference Approval Review Construction

FEATURES

- 62% Heating Capacity at -13°F
- 100% Heating Capacity at 15°F
- Built-in Base Pan Heater
- Hinged electrical box for ease of maintenance
- High efficiency DC Inverter scroll compressor

SPECIFICATIONS

PERFORMANCE		
Cooling Capacity ¹ (Btu/h)	Nominal	120,000
	Rated ²	115,000
EER	Ducted	11.00
	Non-Ducted	11.60
IEER	Ducted	20.90
	Non-Ducted	21.70
Heating Capacity ¹ (Btu/h)		120,000
COP ₄₇	Ducted	3.50
	Non-Ducted	3.52
COP ₁₇	Ducted	2.25
	Non-Ducted	2.25
ELECTRICAL DATA		
Power Supply ³ (V/Hz/Ph)		208-230/60/3
Minimum Circuit Ampacity (A)		68.2
Maximum Overcurrent Protection (A)		90
Compressor RLA (A)		26/25
No. of Compressors		2
Outdoor Fan Power Input (W)		750/750
Outdoor Fan FLA (A)		4.1/4.1
GENERAL DATA		
Connection Ratio		50% to 130%
Max # of Indoor Units		20 units
Refrigerant type		R-410A
Factory refrigerant charge		22 lbs.
DIMENSIONS		
Unit Dimensions (in.)	Height	63-1/8
	Width	49-1/4
	Depth	30-1/8
Liquid Pipe Connection (in.)		1/2
Gas Pipe Connection (in.)		7/8
Net Weight (lb)		770



WARRANTY⁴

- Compressor - 10 year limited warranty
- All other components - 10 year limited warranty

NOTES

1. Cooling and Heating Capacity data is rated at the following conditions:
Cooling: 80°FDB / 67°FWB Indoor, 95°FDB Outdoor
Heating: 70°FDB Indoor, 47°FDB / 43°FWB Indoor
2. Complies with AHRI 1230-2014 testing standards
3. Operating Voltage Range: 191V to 247V
4. See Warranty for Details



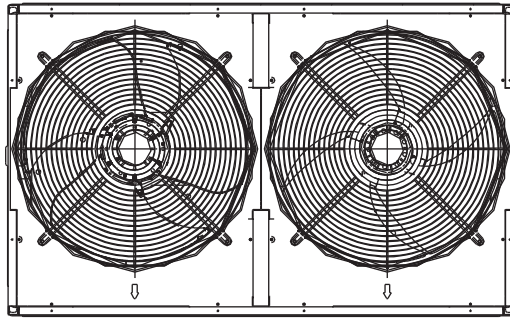


SUBMITTAL DATA - **OUTDOOR UNIT**

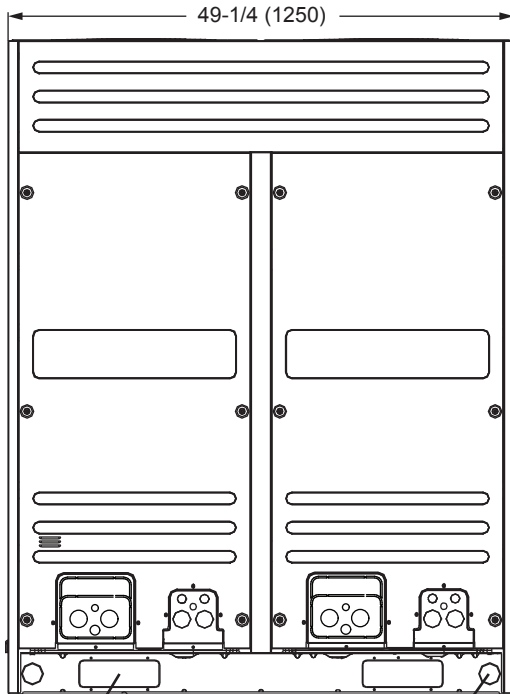
VPA120L4M-2Y

VRF LOW AMBIENT HEAT PUMP

DIMENSIONS - INCHES (MM)



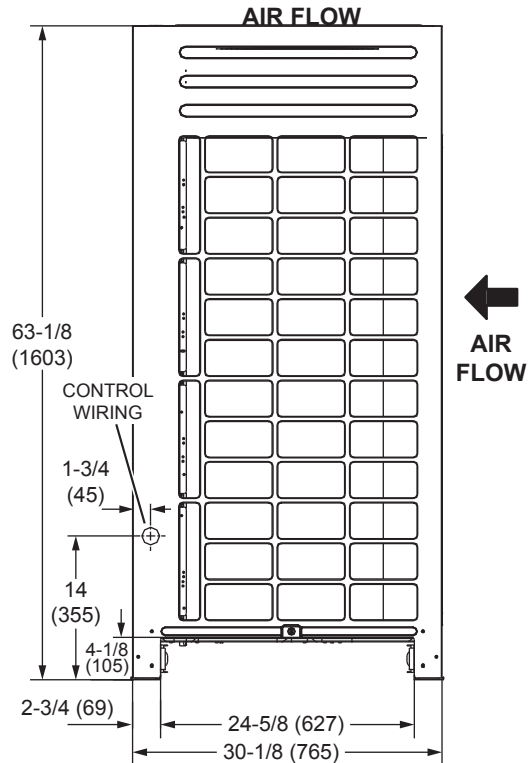
TOP VIEW



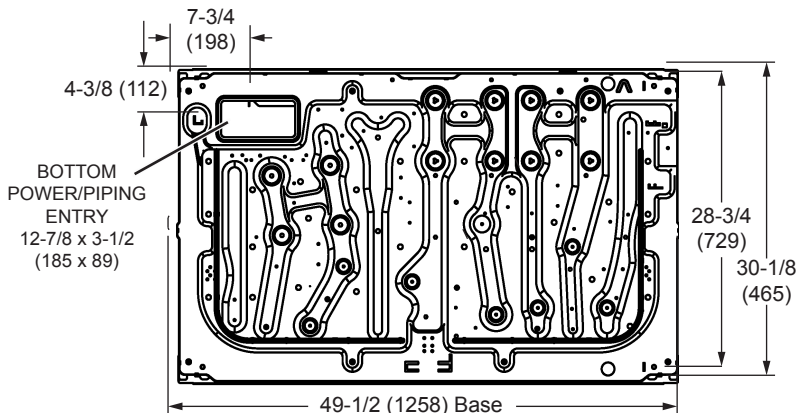
FORKLIFT SLOT
(BOTH SIDES)

LIFTING HOLES
(FOR RIGGING)

FRONT VIEW



SIDE VIEW



BASE VIEW

DISCLAIMER – Due to Lennox' ongoing commitment to quality, Specifications, Ratings and Dimensions subject to change without notice and without incurring liability. Improper installation, adjustment, alteration, service or maintenance can cause property damage or personal injury. Installation and service must be performed by a qualified installer and servicing agency.