



©2017 Lennox Industries Inc.
Dallas, Texas, USA



THIS MANUAL MUST BE LEFT WITH THE OWNER FOR FUTURE REFERENCE

These instructions are intended as a general guide and do not supersede local codes in any way. Consult authorities having jurisdiction before installation.

⚠ WARNING

Improper installation, adjustment, alteration, service or maintenance can cause property damage, personal injury or loss of life.

Installation and service must be performed by a licensed professional HVAC installer (or equivalent) or service agency.

Failure to follow safety warnings and these instructions exactly could result in property damage, dangerous operation, serious injury, or death.

Any additions, changes, or conversions required in order for the appliance to satisfactorily meet the application needs must be made by a licensed professional HVAC installer (or equivalent) using factory-specified parts.

Do not use this system if any part has been under water. A flood-damaged appliance is extremely dangerous. Immediately call a licensed professional HVAC service technician (or equivalent) to inspect the system and to replace all controls and electrical parts that have been wet, or to replace the system, if deemed necessary.

The State of California has determined that this product may contain or produce a chemical or chemicals, in very low doses, which may cause serious illness or death. It may also cause cancer, birth defects, or reproductive harm.

INSTALLATION/OPERATION INSTRUCTIONS

VPA Low Ambient Heat Pump

VRF SYSTEMS
OUTDOOR UNITS
507793-01
12/2017

⚠ WARNING

Do not change the settings of any protection devices installed in the outdoor unit. If the pressure switch, thermal switch, or other protection device is shorted or forcibly operated, fire or explosion may occur.

Do not use parts other than those specified by Lennox or fire and/or explosion may occur.

⚠ CAUTION

As with any mechanical equipment, contact with sharp sheet metal edges can result in personal injury. Take care while handling this equipment and wear gloves and protective clothing.

⚠ IMPORTANT

The Clean Air Act of 1990 bans the intentional venting of refrigerant (CFC's and HCFC's) as of July 1, 1992. Approved methods of recovery, recycling or reclaiming must be followed. Fines and/or incarceration may be levied for non-compliance.

These units must be installed as part of a matched system as specified in the Product Specifications (EHB) bulletin.

General

The VPA low ambient heat pump outdoor units are matched with up to 50 indoor units to create a VRF (variable refrigerant flow) system that uses HFC-410A refrigerant.

Refer to the Product Specification bulletin (EHB) for the proper use of these low ambient heat pump units with matching indoor units, branch pipes, line sets and controls.

Shipping and Packing List

Check the components for shipping damage. If you find any damage, immediately contact the last carrier. Package 1 of 1 contains the following:

- 1 - Assembled VPA low ambient heat pump outdoor unit
- 1 - Outdoor unit installation and operations instruction
- 1 - Piping accessory package

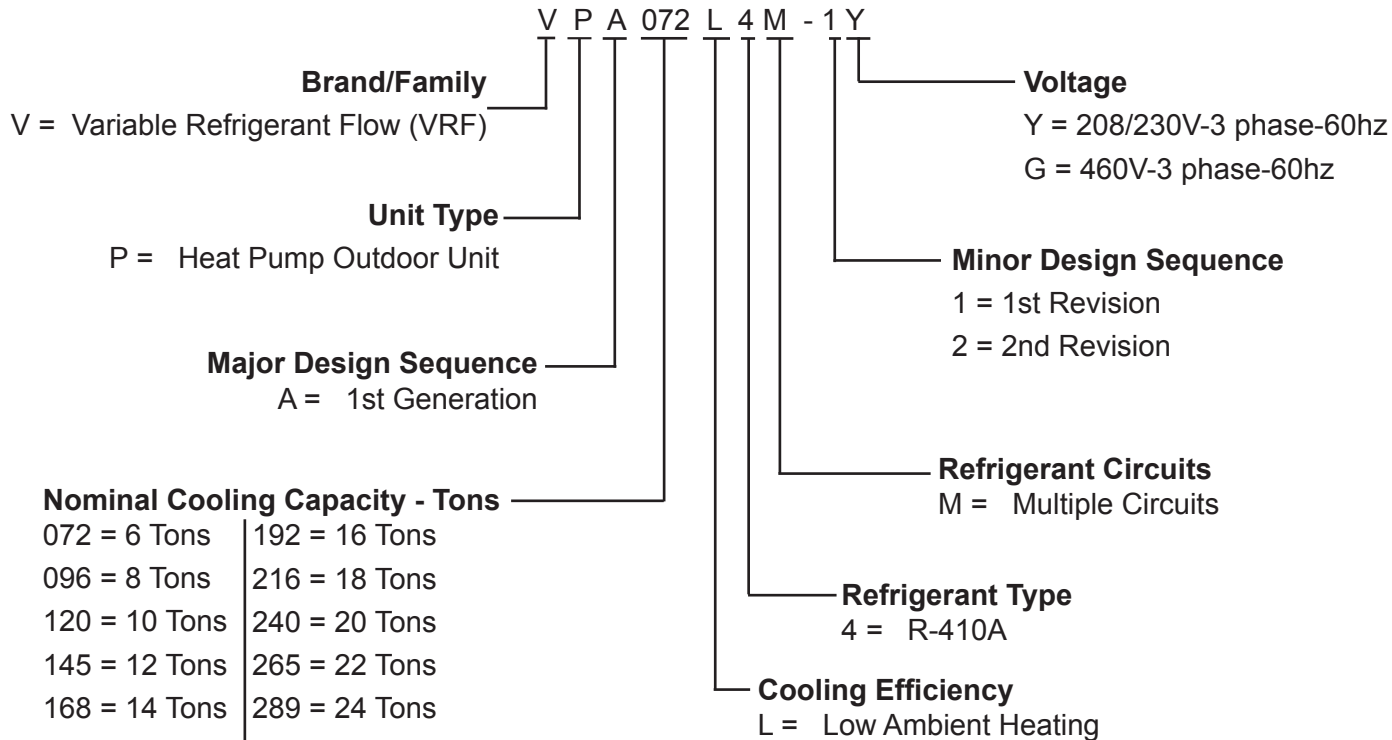
Safety Requirements

⚠ WARNING

ELECTRICAL SHOCK, FIRE, OR EXPLOSION HAZARD.

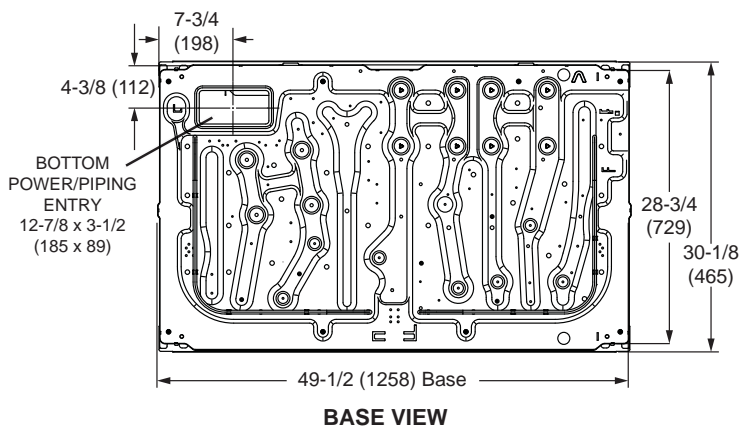
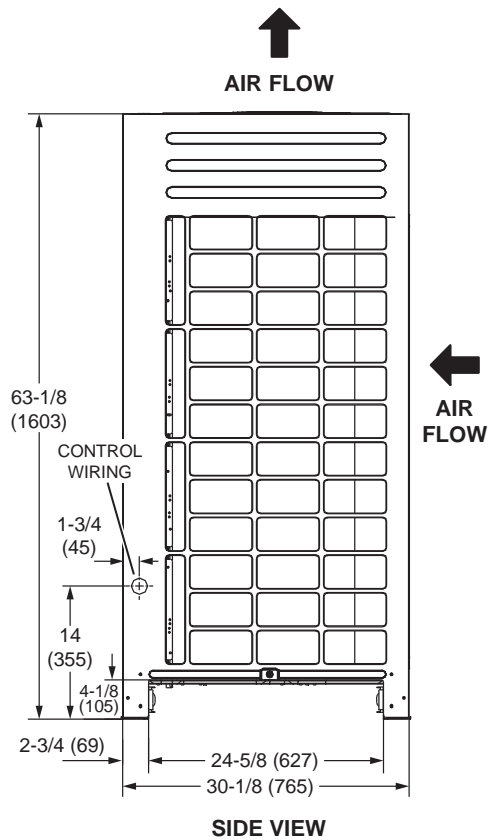
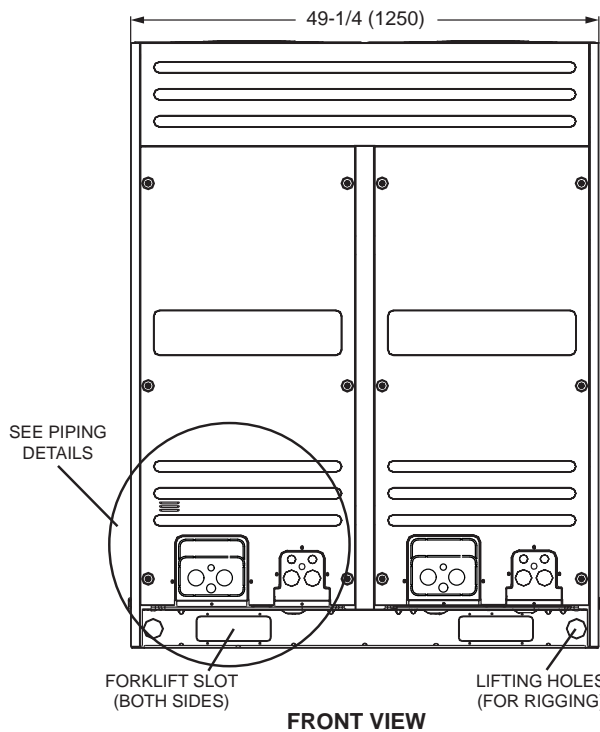
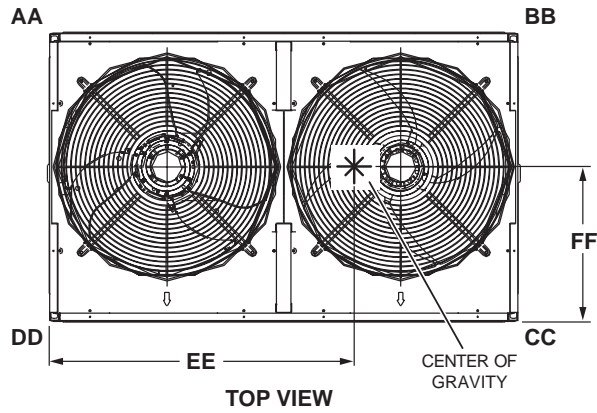
- Do not touch the unit or the controller if your hands are wet.
- Do not operate appliances with an open flame near the unit.
- Do not replace a fuse with a fuse of a different rating. Do not attempt to bypass a fuse.
- Do not insert your hands, tools or any other item into the air intake or air outlet at either the indoor or outdoor unit.
- Do not allow children to operate the system.

Model Number Identification

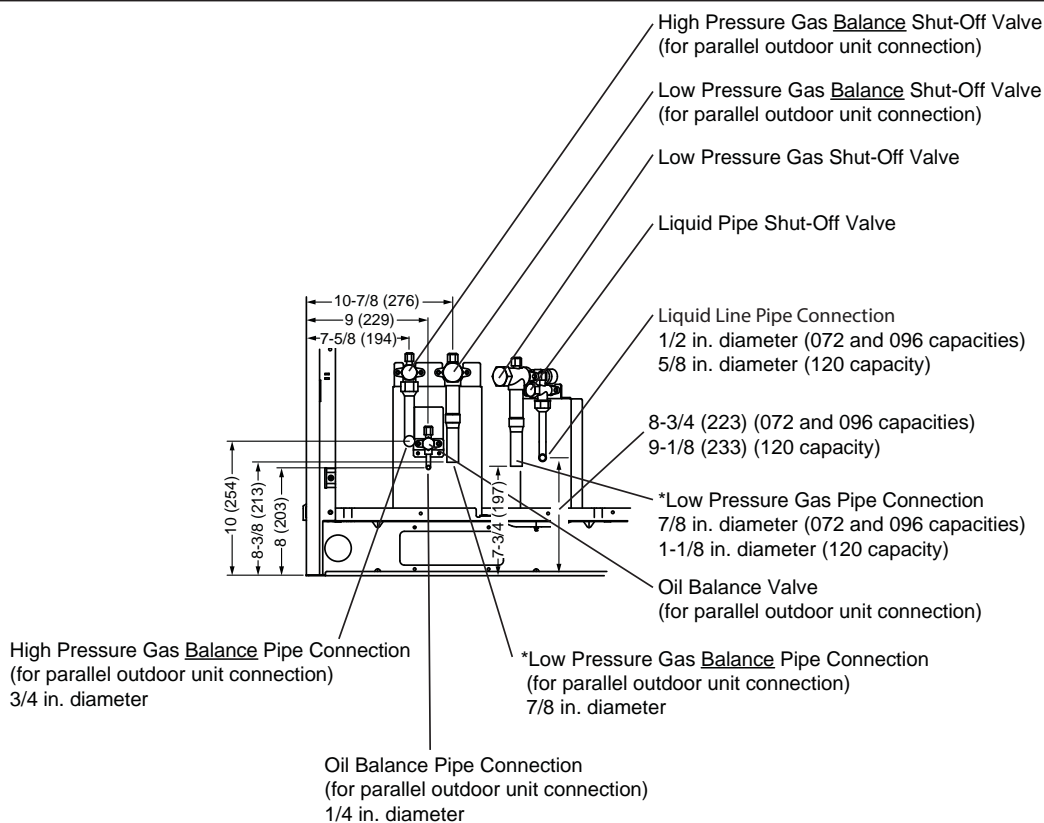


Unit Dimensions - inches (mm)

CORNER WEIGHTS									CENTER OF GRAVITY			
Model No.	AA		BB		CC		DD		EE		FF	
	lbs.	kg	lbs.	kg	lbs.	kg	lbs.	kg	in.	mm	in.	mm
VPA072/096/120L-2G	165	75	187	85	222	101	198	90	26	660	13-7/8	351
VPA072/096/120L-2Y	163	74	185	84	219	99	196	89				



Dimensions - Piping Details - inches (mm)



*NOTE - Two 90° Elbows are furnished for Low Pressure and High Pressure Gas Pipe Connections from the front of the unit.

Unit Placement Considerations

⚠WARNING

Use the provided and specified components when installing equipment. Failure to do so may result in unit falling, water leaking or electrical shocks, causing personal injury or equipment or property damage.

Check stability of unit support. If support is not capable of carrying weight of the unit, unit may fall causing personal injury or equipment damage.

Safely dispose of packing materials, which include nails, wood and other sharp objects, as well as plastic wrapping. Children playing with plastic wrap or bags risk the danger of suffocation.

IMPORTANT!

Exhaust vents from dryers, water heaters and furnaces should be directed away from the outdoor unit. Prolonged exposure to exhaust gases and the chemicals contained within them may cause condensation to form on the steel cabinet and other metal components of the outdoor unit. This will diminish unit performance and longevity.

OUTDOOR UNIT POSITIONING CONSIDERATIONS

In addition to clearances, the following items should be considered when setting the outdoor unit:

- 2007 EPA Noise Policy. Observe local code adoptions/enforcement as consideration should be used when selecting an outdoor units permanent placement. Sound data for each unit can be found in the Product Specifications Document.
- Glass has a very high level of sound transmission. When possible, do not install the unit directly outside a window.
- Avoid installing the unit in areas exposed to extreme voltage variations (such as factories).
- Install unit level.
- Allow sufficient space around unit for proper operation and maintenance.
- Install the outdoor unit a minimum of 3 feet away from any antenna, power cord (line), radio, telephone, security system, or intercom. Electrical interference and radio frequencies from any of these sources may affect operation.
- Coating Outdoor Coils is recommended in applications installed in coastal regions less than 30 miles inland.

Lifting the Unit

- Do not hold the air inlet grille while lifting the unit. This could result in damage to the cabinet.

- Do not touch the fan blades with your hands or other objects while lifting the unit.

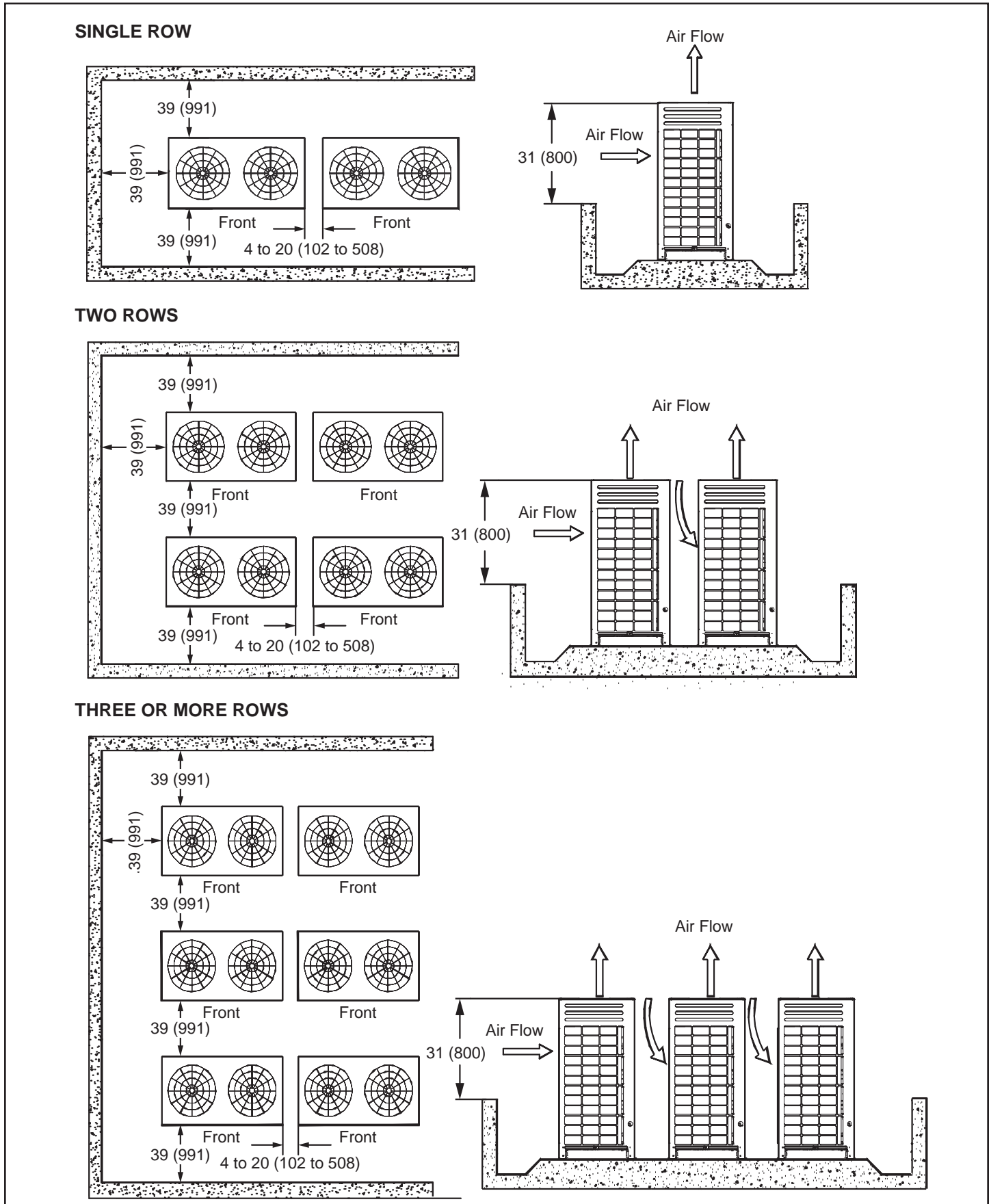


Figure 1. Installation Clearances - inches (mm)

Vertical Clearances

- Obstructions must be 32 in. (813 mm) below the top of the outdoor unit or a field supplied air discharge duct is required.
- If the outdoor unit is LOWER than surrounding obstacles, add a field-supplied duct onto the outdoor unit's exhaust hood to facilitate heat dissipation.

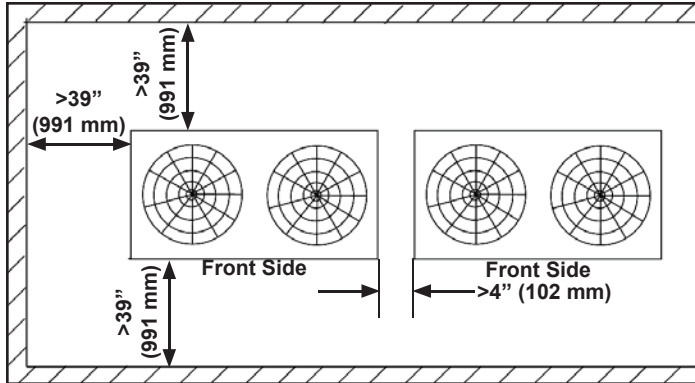


Figure 2. Horizontal Obstructions

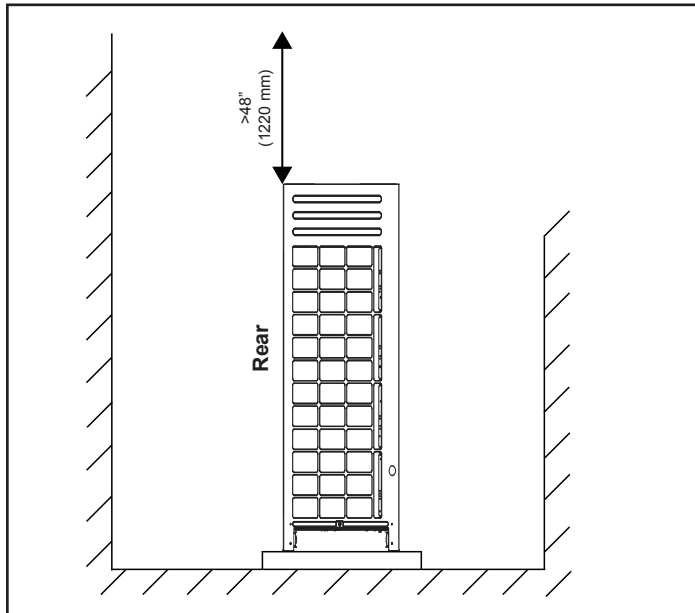


Figure 3. Vertical Obstructions

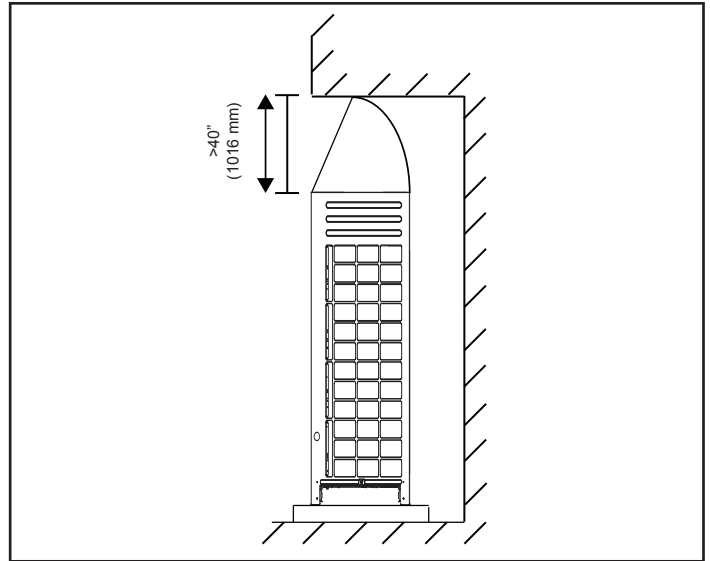


Figure 4. Ducted Air Discharge Around Obstructions

Cold Climate Considerations

▲ CAUTION

When operating the heat pump in a low outdoor ambient temperature, be sure to follow the instructions described below.

- To prevent exposure to wind, install the outdoor unit with its air inlet side facing the wall.
- Never install the outdoor unit at a site where the air inlet side may be exposed directly to wind.
- In heavy snowfall areas, select an installation site where the snow will not affect the unit.

Snow and Ice Protection

- Install the unit high enough above the ground or roof to allow adequate drainage of defrost water and prevent ice or snow build-up.
- Carefully consider how to manage defrost and condensate water disposal to prevent ice from creating hazardous conditions near walkways and egresses.
- Use heated tape on condensate drain line.
- Locate unit so winter prevailing winds do not blow directly on to the outdoor unit.
- In heavy snow areas, do not locate the unit where drifting will occur. The unit base should be elevated above the depth of average snows. See figure 5.

- Locate unit away from overhanging roof lines which would allow water or ice to drop on, or in front of, coil or into unit.
- There must be unobstructed air flow around the air inlet and the air outlet.
- The unit must not be installed in areas where a flammable gas leak may occur.
- Install snow guards to prevent snow fall from entering air inlet and outlet. See figure 5.

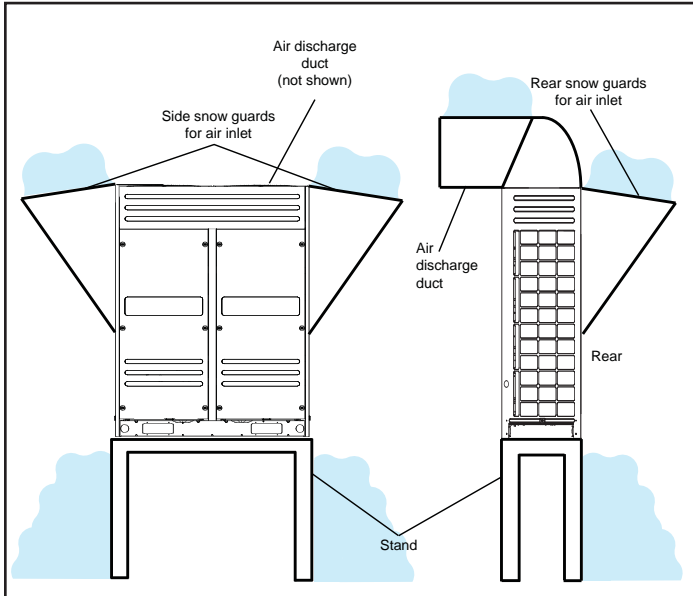


Figure 5. Snow Protection

NOTE - Snow guards are recommended on both sides and rear of the unit as shown.

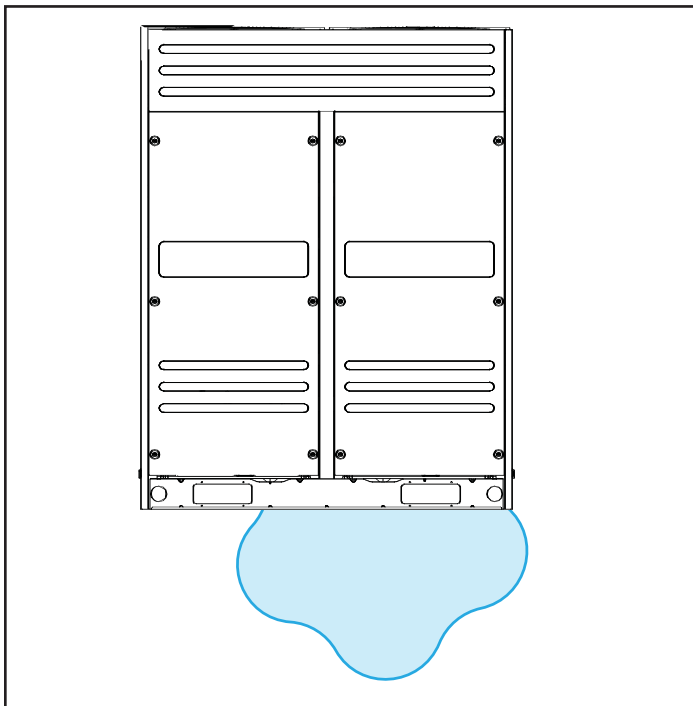


Figure 6. Avoid Ice Hazard

Wind baffles are not required for the outdoor units. However, in order to maximize reliability and performance, the following best practices should be followed. If unit coil cannot be installed away from prevailing winter winds, some method of protecting the coil is recommended. Minimum clearances from wind barrier must be observed at all times. Common application examples are:

- Construct a wind barrier. Size barrier at least the same height and width as outdoor unit. Install a barrier 39 inches (991 mm) minimum from the sides of the unit in the direction of prevailing winds as illustrated in figure 7.

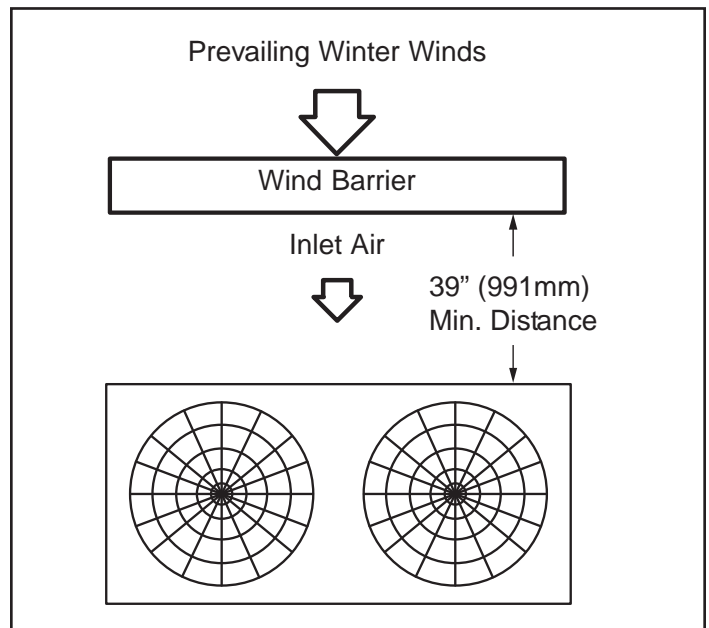


Figure 7. Wind Barrier

- Install the outdoor unit in a mechanical enclosure. See figure 8.
- Provide additional heating to enclosure if necessary to maintain proper ambient temperature.
- Duct discharge air if there isn't sufficient clearance above the unit.

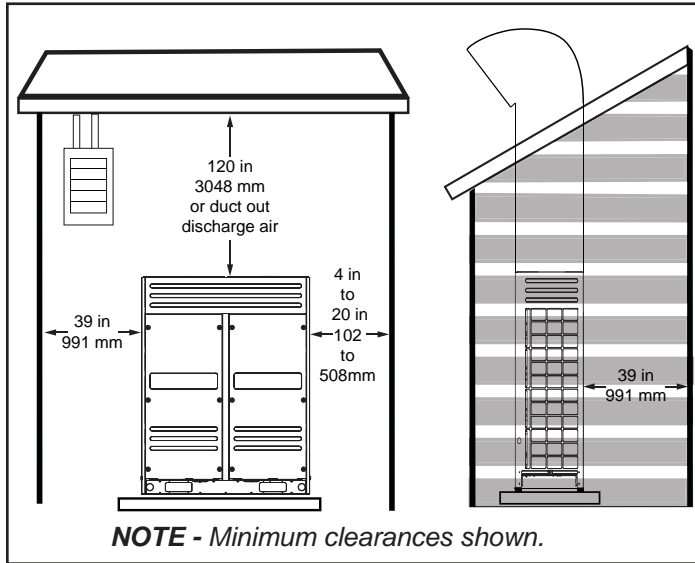


Figure 8. Mechanical Enclosure

Buried Refrigerant Pipe Protection

- **All** refrigerant lines must be insulated regardless of if it is buried.
- In addition to insulating each line of piping, buried lines must rest inside a **sealed, watertight** conduit.
- The conduit must be designed so it cannot collect and retain water.

Condensate Pipe Protection

- Use heated tape to protect condensate piping from freezing and/or rupturing.

NOTE - Separate power supply is required for heated tape.

Base Pan Heater

- Factory-installed base pan heater. No field connections required.

NOTE - Base pan heater operates during heating mode when outdoor temperatures are below 36°F. The base pan heater stops operation when outdoor temperatures are above 39°F.

Air Discharge Duct

- Before installing the air duct, remove the two fan guards from the top of the unit.
- Duct each outdoor unit separately. Do not use a combined plenum as this may result in air being not discharged directly to the outside.
- Only one bend is allowed in the air duct.

- Duct louvers will reduce air volume, cooling and heating capacity and efficiency. Louvers are not recommended; but, if they are required by the job, the louver angle should be no larger than 15°.
- It may be necessary to install a flexible connector between the unit and the duct to reduce vibration noise.

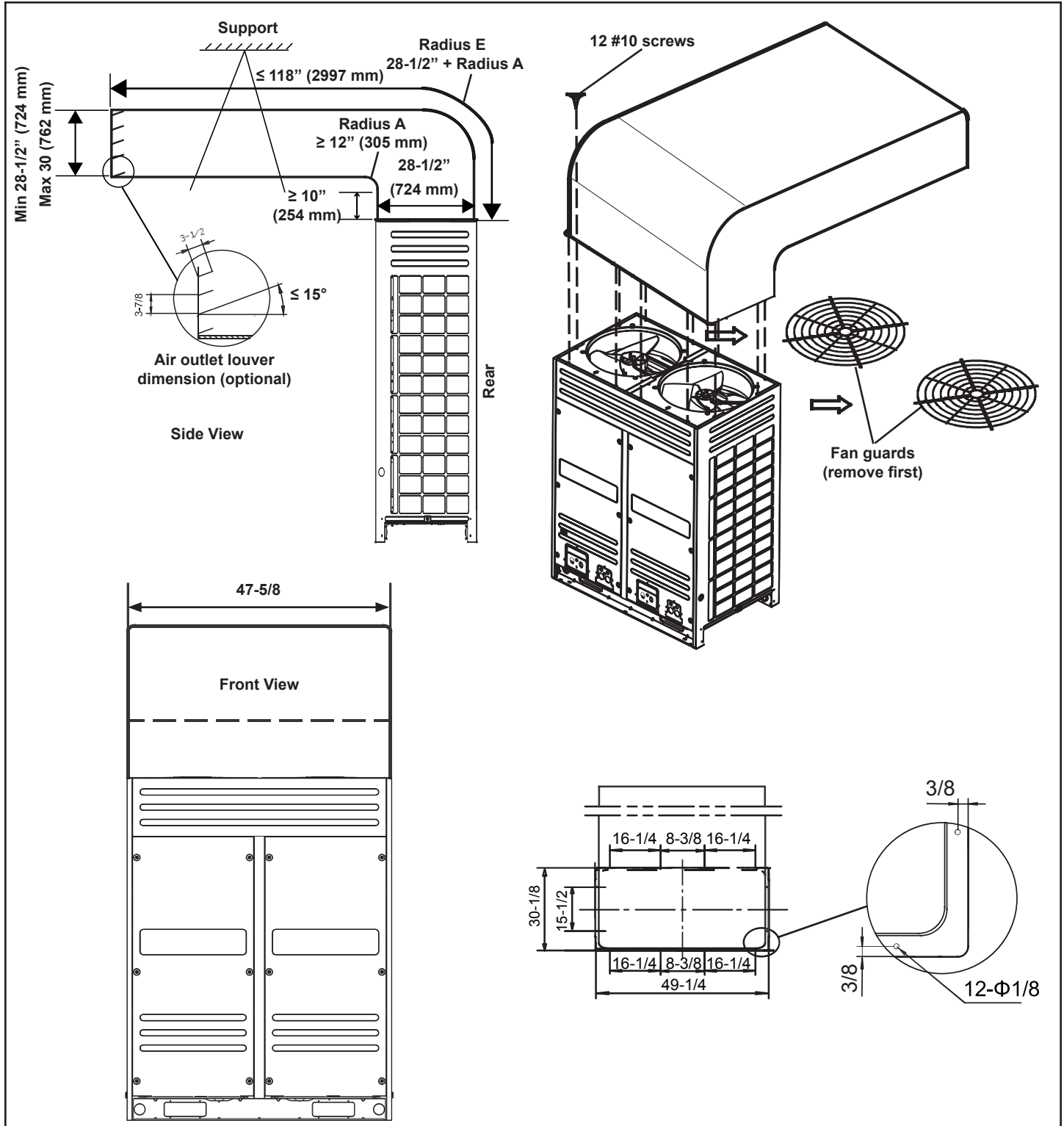


Figure 9. Air Discharge Duct
(Front or Rear Connection)

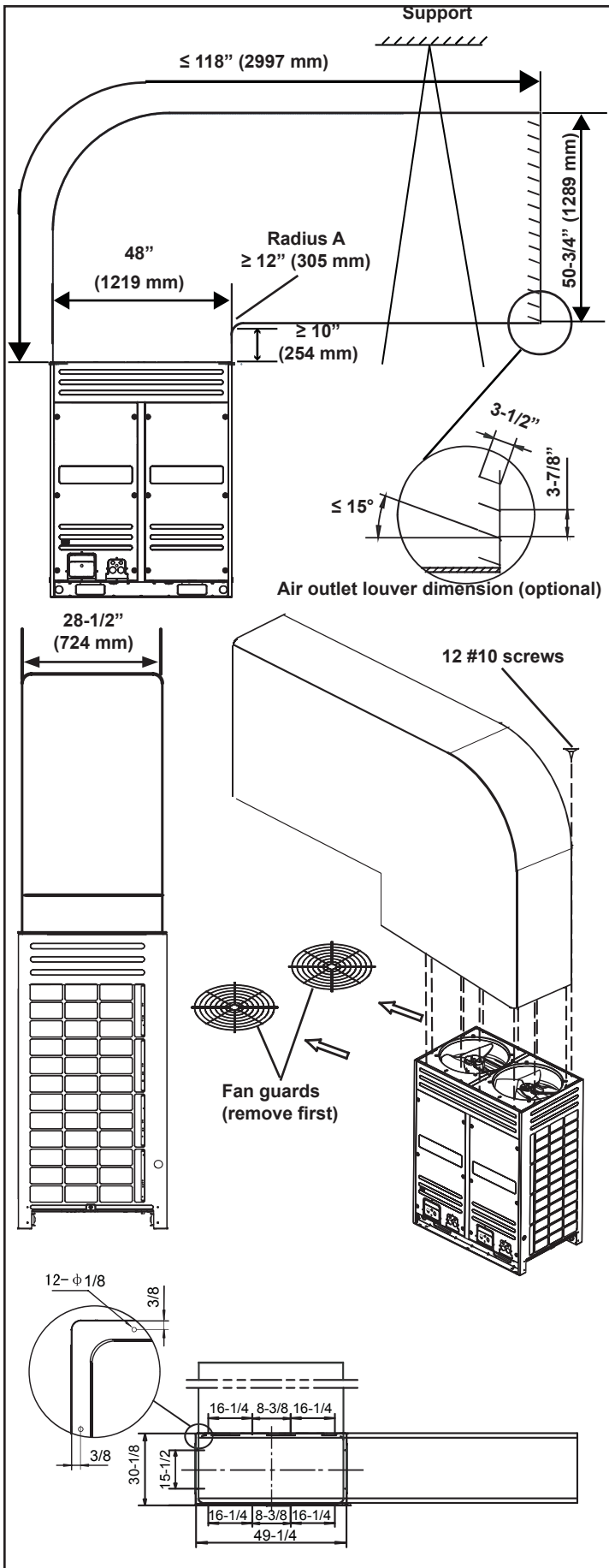
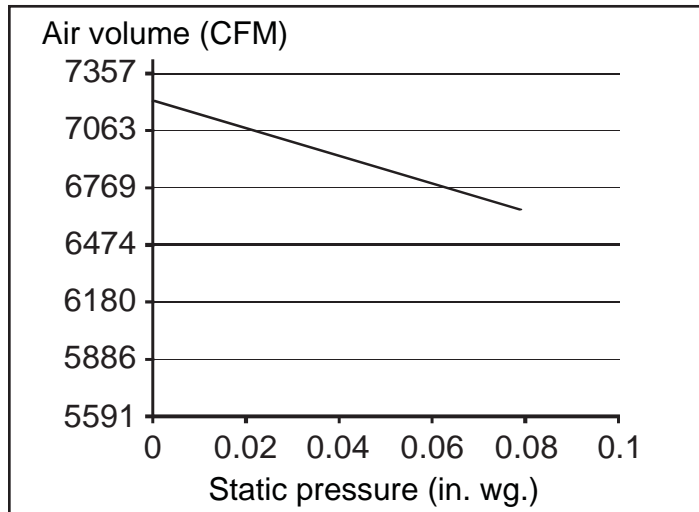


Figure 10. Air Discharge Duct (Side Connection)

Discharge Duct Pressure Curve



VPA072, 096, and 120

NOTE - Total ESP shall not exceed .25"

▲ CAUTION

In order to avoid injury, take proper precaution when lifting heavy objects. Take care when using a sling to lift the unit for installation. The unit center of gravity is not at its physical center.

Main/Sub Outdoor Unit Placement

- A VRF system consisting of more than two outdoor units, must be placed in order from the largest to the smallest capacity. See figure 8.
- The largest capacity outdoor unit must be installed closest to the main pipe leading into the building. See figure 11.
- The largest capacity outdoor unit address is the main unit, while the others are the sub units. See figure 11.
- All the outdoor units manifolded together should be installed at the same elevation.

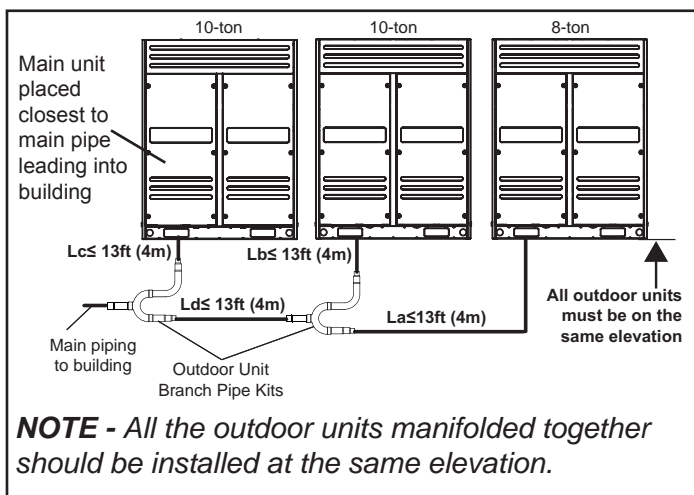


Figure 11. Main/Sub Unit Placement (28-Ton System Example)

Installation

Slab or Roof Mounting

Install the unit a minimum of 8 inches (203 mm) above the roof or ground surface to avoid ice build-up around the unit. Locate the unit above a load-bearing wall or area of the roof that can adequately support the unit. Consult local codes for rooftop applications.

- Use a field supplied slab or suitably sized steelwork to construct a base for locating the condensing unit. All support work should be verified by a qualified engineer.
- If the unit coil cannot be installed away from prevailing winter winds, a wind barrier should be constructed. Size barrier at least the same height and width as outdoor unit. Install barrier 12 inches (305 mm) minimum from the sides of the unit in the direction of prevailing winds.

IMPORTANT!

Roof Damage!

This system contains both refrigerant and oil. Some rubber roofing material may absorb oil. This will cause the rubber to swell when it comes into contact with oil. The rubber will then bubble and could cause leaks. Protect the roof surface to avoid exposure to refrigerant and oil during service and installation. Failure to follow this notice could result in damage to roof surface.

Securing Outdoor Unit to Slab or Frame

Use lag bolts at all four corners to secure the unit to the field-provided slab or frame. Isolation material can be used to control vibration or sound transmission, lag bolt must extend through material to the slab or frame. See figure 12.

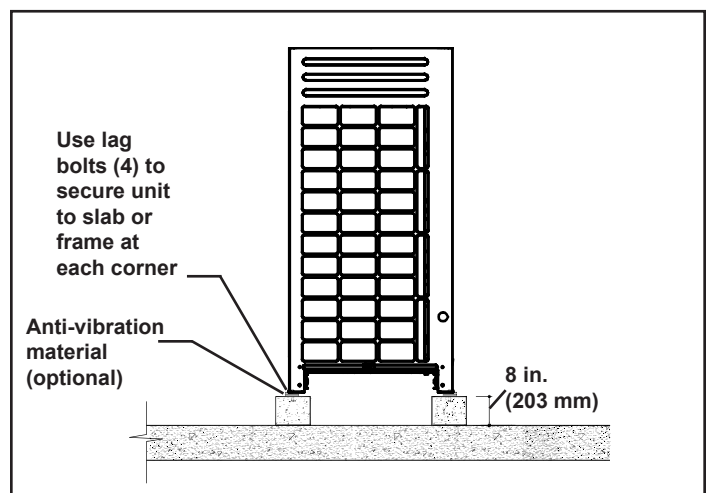


Figure 12. Securing Outdoor Unit to Slab or Frame

Refrigerant Piping Connections

⚠WARNING

Refrigerant leaks are unlikely; however, if a refrigerant leak occurs, open a door or windows to dilute the refrigerant in the room. Turn off the unit and all other appliances that may cause a spark. Call a licensed professional HVAC technician (or equivalent) to repair the leak. Use only R-410A refrigerant to charge this system. Use of other refrigerant or gas will damage the equipment.

Do not allow air or other contaminants to enter system during installation of refrigerant piping. Contaminants will result in lower system capacity and abnormally high operating pressures and may result in system failure or explosion.

Insulate all refrigerant piping.

Refrigerant pipes may be very hot during unit operation. Do not allow contact between wiring and bare copper pipes.

After refrigerant piping connections have been completed, check the system for leaks per commissioning instructions.

- Both liquid and gas (vapor) lines must be individually insulated.
- Field piping consists of two field-provided copper refrigerant lines connected to the outdoor unit. These lines carry the liquid and vapor refrigerant to and from the indoor unit(s).
- Refrigerant piping and wiring connections can be brought into the outdoor unit through openings provided in the front, side(s), pipe and underside (recommended) of the unit.
- Refrigerant piping must be connected using branch pipe kits.
- The following restrictions apply to each VPA system:
 - Total refrigerant pipe length 3280 ft. (1000 m)
 - Longest pipe length actual) 574 ft. (175 m)
 - Level difference between indoor units 98 ft. (30 m)
 - Piping length from the first branch pipe to the farthest indoor unit 132/295 ft. (40/90 m)
- For each branch pipe, allow 19-1/4" (488 mm) of equivalent length.
- When the outdoor unit is installed 66 feet (20 m) or more above the indoor units, install an oil return trap every 33 feet (10 m) in the main gas pipe. See figure 13 for trap specifications.

- When the outdoor unit is 132 feet (40 m) or more below the indoor units, increase the diameter of the liquid line pipe from the outdoor unit to the first branch pipe by one size.

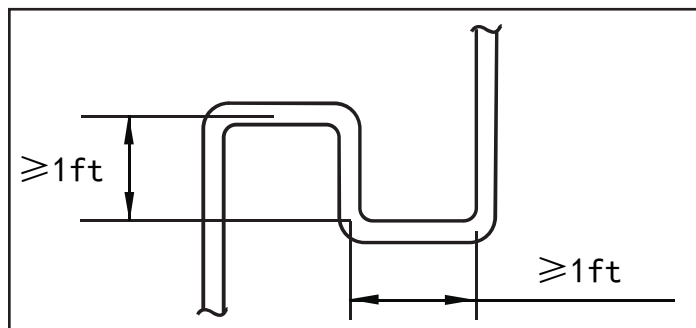


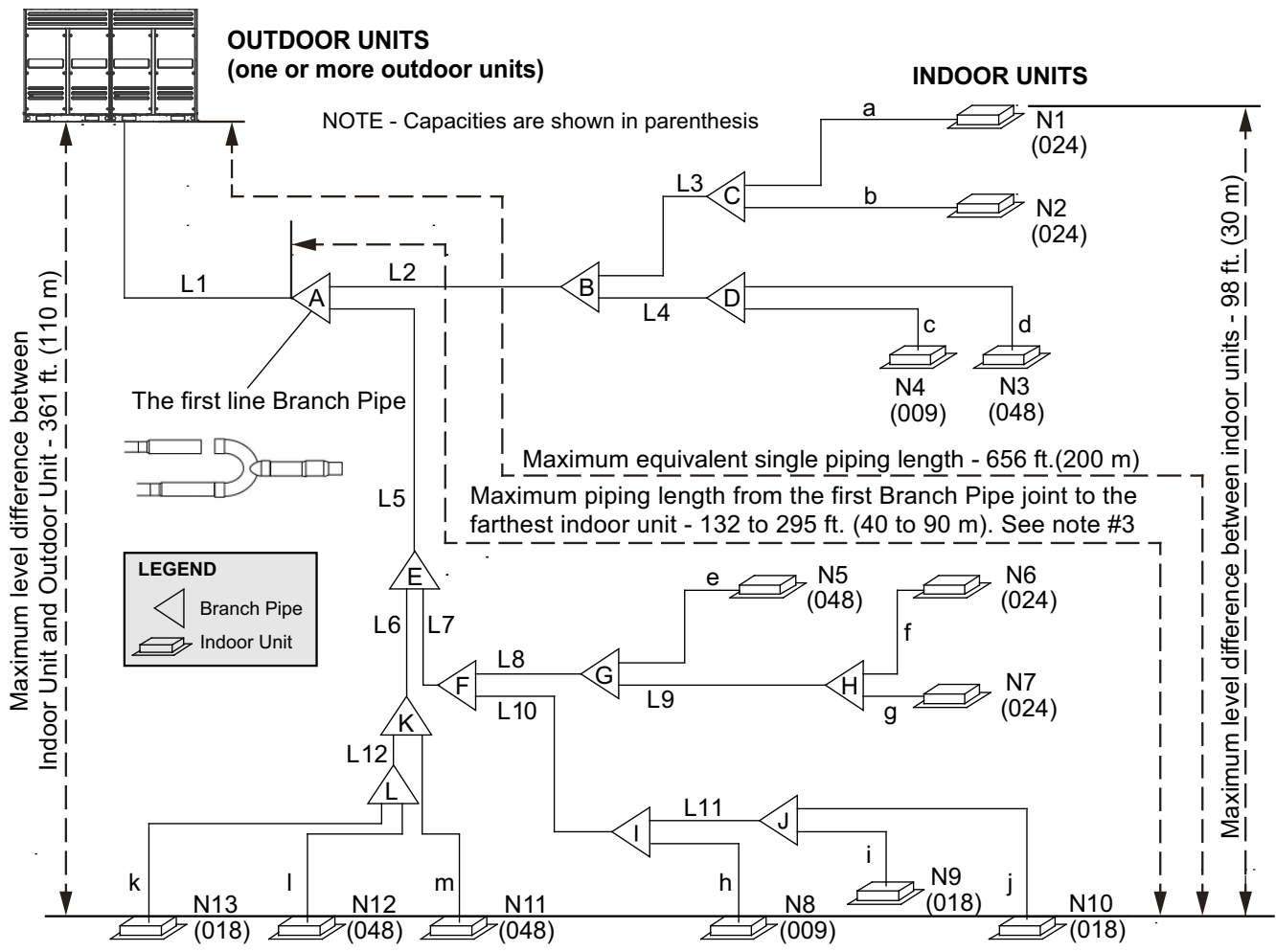
Figure 13. Oil Return Trap

- To extend the length from the first branch pipe to the farthest indoor unit beyond 132 ft. (40 m) and up to 295 ft. (90 m), the following three conditions must be met.
 1. Increase diameter of the main pipe between the first and the last branch pipes. If the diameter of the pipe is the same as the main outdoor pipe, then it does not need to be increased. Ex: If $132 \text{ ft.} < L5 + L7 + L10 + L11 \leq 295 \text{ ft.}$, increase the diameter of all the pipes by one size.
 2. The length from the indoor unit to the nearest branch pipe must be 132 ft. (40 m) or less. Ex: $a, b, c, d, e, f, g, h, i, j, k, l, m \leq 132 \text{ ft.}$
 3. The difference between [the distance from the outdoor unit to the farthest indoor unit] and [the distance from the outdoor unit to the nearest indoor unit] is $\leq 132 \text{ ft.}$ Ex: $(L1 + L5 + L7 + L10 + L11 + j) - (L1 + L5 + L6 + m) \leq 132 \text{ ft.}$

IMPORTANT!

The compressor in this unit contains PVE oil (Polyvinylether). PVE oil is formulated for hydrofluorocarbon (HFC) refrigerants, such as R-410a, which this system contains. While it may have some miscibility properties with mineral-based oil and POE oil (Polyolester), you should not mix PVE oil with any other type of refrigerant oil.

Maximum Permitted Refrigerant Pipe Length and Maximum Height Difference



Piping Length		Permitted value	Piping
Piping Length	Total piping length	¹ 3280 ft. (1000 m)	$L1+(L2+L3+L4+L5+L6+L7+L8+L9+L10+L11+L12) \times 2 + a+b+c+d+e+f+g+h+i+j+k+l+m$
	Single piping length	Actual length	574 ft. (175 m)
		Equivalent length	² 656 ft. (200 m)
Level Difference	Level difference between indoor unit and outdoor unit	Outdoor unit up	⁴ 230 ft. (70 m)
		Outdoor unit down	⁵ 360 ft. (110 m)
	Level difference between indoor units	98 ft. (30 m)	---

NOTES:

The first branch in all systems must be centrally located between all indoor units.

¹ When counting the total piping length, double the actual length of the distribution pipes and first Branch Pipe joint: Installation.
 Total piping length = $L1+(L2+L3+L4+L5+L6+L7+L8+L9+L10+L11+L12) \times 2 + a+b+c+d+e+f+g+h+i+j+k+l+m \leq 3280 \text{ ft. (1000 m)}$.

² Each Branch Pipe is equivalent to 20 in. (508 mm).

³ The maximum allowable piping length from the first Branch Pipe joint to the farthest indoor unit must be $\leq 132 \text{ ft. (40 m)}$, but if the following conditions are met, the maximum allowable length can be extended to 295 ft. (90 m):

- The piping length from each indoor unit to the nearest Branch Pipe joint must be less than 132 ft. (40m) (a to m).
- The difference in length between the outdoor unit to the farthest indoor unit, and the outdoor unit to the nearest indoor unit is $\leq 132 \text{ ft. (40 m)}$.
 Example: The farthest indoor unit is N10, The nearest indoor unit is N11 ($L1+L5+L7+L11+j$) minus ($L1+L5+L6+m$) $\leq 132 \text{ ft. (40 m)}$.
- Increase the distribution pipe diameter between the first and second Branch Pipe L2-L3. If the pipe diameter is the same as the main outdoor pipe, it does not need to be increased.

Pipe Size Allowable Increase Diameters (in.):

3/8 to 1/2	1/2 to 5/8	5/8 to 3/4	3/4 to 7/8	7/8 to 1-1/8	1-1/8 to 1-3/8	1-3/8 to 1-5/8	1-5/8 to 2-1/8
------------	------------	------------	------------	--------------	----------------	----------------	----------------

⁴ When the outdoor unit is higher than indoor units and the level difference is over 65.6 ft. (20 m), it is recommended to set an oil return bend every 32.8 ft.(10 m) in the gas pipe of the main pipe. Refer to Installation Instructions for additional details.

⁵ When the outdoor unit is lower than indoor units and the level difference is more than 132 ft.(40 m), the main liquid pipe pipe need to increase by one size.

Figure 14. Typical Refrigerant Piping Diagram 1

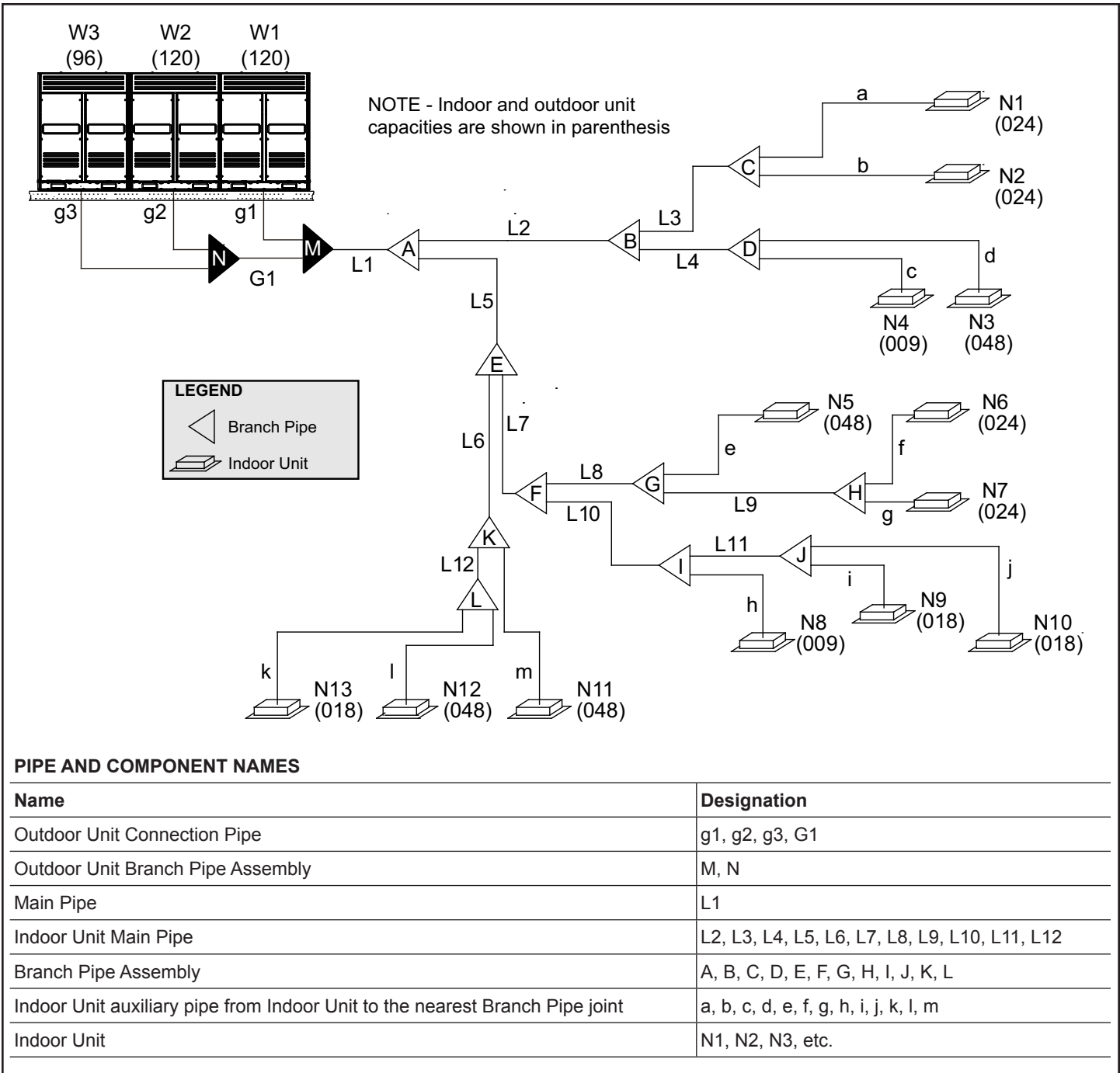


Figure 15. Typical Refrigerant Piping Diagram 2

OUTDOOR UNIT MAIN PIPE SELECTION (L1)

Outdoor Unit Size	Main Pipe Diameter (in.)					First Branch Pipe Assembly
	Equivalent length of all liquid pipes is <u>less</u> than 295 ft. (90 m)		First Branch Pipe Assembly	Equivalent length of all liquid pipes is <u>more</u> than 295 ft. (90 m)		
	Low Pressure Gas Pipe	Liquid Pipe		Low Pressure Gas Pipe	Liquid Pipe	
072	7/8	3/8	V8IDBP02	7/8	1/2	V8IDBP02
096	7/8	3/8	V8IDBP02	1-1/8	1/2	V8IDBP03
120	1-1/8	1/2	V8IDBP03	1-1/8	5/8	V8IDBP03
145	1-1/8	1/2	V8IDBP03	1-1/8	5/8	V8IDBP03
168-216	1-1/8	5/8	V8IDBP03	1-3/8	3/4	V8IDBP04
240	1-1/8	5/8	V8IDBP03	1-3/8	3/4	V8IDBP04
264-312	1-3/8	3/4	V8IDBP04	1-3/8	7/8	V8IDBP04
336-360	1-3/8	3/4	V8IDBP04	1-5/8	7/8	V8IDBP05

Note - The Main Pipe (L1) can be selected from the Outdoor Unit Main Pipe Selection table or the Indoor Unit Main Pipe Selection table, the larger size must be used.

INDOOR UNIT MAIN PIPE SELECTION (L1 to L12)

Indoor Unit Total Capacity (kBtuh)	Indoor Unit Main Pipe Diameter (in.)		Branch Pipe Assembly
	Gas Pipe	Liquid Pipe	
A < 056	5/8	3/8	V8IDBP01
056 ≤ A < 078	3/4	3/8	V8IDBP01
078 ≤ A < 112	7/8	3/8	V8IDBP02
112 ≤ A < 156	1-1/8	1/2	V8IDBP03
156 ≤ A < 224	1-1/8	5/8	V8IDBP03
224 ≤ A < 314	1-3/8	3/4	V8IDBP04
314 ≤ A < 460	1-5/8	3/4	V8IDBP05
≤ 460	1-5/8	7/8	V8IDBP05

OUTDOOR UNIT PIPE SELECTION (g1, g2, g3, G1)

Pipe	Outdoor Unit Size	Pipe Diameter (in.)	
		Low Pressure Gas Pipe	Liquid Pipe
g1, g2, g3	6 or 8 ton	7/8	1/2
	10	1-1/8	5/8
G1	---	1-3/8	3/4

OUTDOOR UNIT BRANCH PIPE ASSEMBLY SELECTION (M, N)

Outdoor Unit Quantity	Parallel Connection with Branch Pipes
2 units	M use V8ODBP02HP
3 units	M + N use V8ODBP03HP

INDOOR UNIT AUXILIARY PIPE SELECTION

(From Indoor Unit To The Nearest Branch Joint (a, b, c, d, e, f, g, h, i, j, k, l, m))

Indoor Unit Capacity (kBtuh)	Pipe Diameter (in.)			
	Pipe length from indoor unit to nearest branch joint			
	Pipe length <u>less</u> than 33 ft (10 m)		Pipe length <u>more</u> than 33 ft (10 m)	
	Gas Pipe	Liquid Pipe	Gas Pipe	Gas Pipe
A<18	1/2	1/4	5/8	3/8
18≤A<54	5/8	3/8	3/4	1/2

Name	Gas Side Joints (inch)	Liquid Side Joints (inch)	Insulation Material (furnished)
V8IDBP01			<p>(2 sets)</p>
V8IDBP02			<p>(2 sets)</p>
V8IDBP03			<p>(2 sets)</p>
V8IDBP04			<p>(2 sets)</p>
V8IDBP05			<p>(2 sets)</p>

Figure 16. Indoor Unit Branch Pipe Kits

- The seal on the unit refrigerant piping connections should remain in place until the last possible moment. This will prevent dust or water from getting into the refrigerant piping before it is connected.
- Flow the pipework with dry (oxygen-free) nitrogen (2.9 psig or 3 CFH) during brazing to avoid oxidation which may block the refrigerant piping.
- Do not use anti-oxidants when brazing.
- Do not use flux when brazing copper-to-copper piping. Use phosphor copper brazing filler alloy (BCuP) which does not require flux. Flux has a harmful effect on refrigerant pipe.
- Use a wet cloth to insulate the shut-off valve during brazing.
- Use dedicated gauges and hoses with R-410A equipment.

Pressure Test

- Follow the pressure test specifications in table 1 for pressure test.
- Use oxygen-free nitrogen to pressure test to 647 psig and hold for 1 hour.

Evacuate System

- Follow the Lennox pressure test specifications in table 1 and the triple evacuation process described on page 17 to pressure test and evacuate the system.
- Use a vacuum pump capable of evacuating to lower than -14.5 psig.
- Do not open any of the outdoor unit shut-off valves (possible max 5 valves). The outdoor unit does not need to be evacuated.
- Evacuate the system to -14.5 psig, or below, for 2 hours.

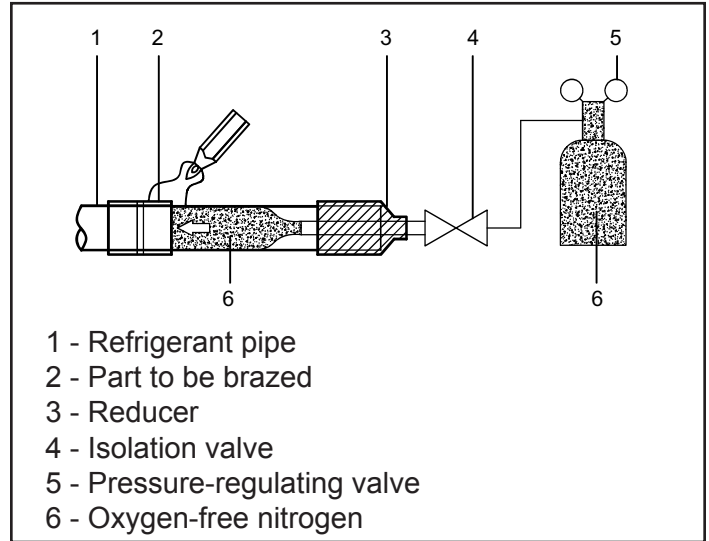


Figure 17. Brazing Best Practices

IMPORTANT!

Use only oxygen-free (dry) nitrogen.

Table 1. Pressure Test Specifications

1	3 bar	44 psig	minimum of 10 minutes
2	15 bar	220 psig	minimum of 10 minutes
3	32 bar	470 psig	minimum of 10 minutes
4	45 bar	650 psig	1 hour. Stress test to prove the integrity of the complete installation.
5	32 bar	470 psig	24 hours. Lower system pressure test, after confirmation No. 4 was successfully completed.

Triple Evacuation Procedure

A Micron or Torr gauge must be used for this procedure.

1. Discharge the oxygen-free nitrogen and evacuate the system to a reading of 8000 Microns (8 Torr) using all service valves.

2. Break the vacuum by allowing nitrogen into the three inter-connecting pipework port connections (low pressure gas pipe, high pressure gas pipe and liquid line pipe) until a positive pressure is achieved.
3. Evacuate the system to a reading of 5000 Microns (5 Torr).
4. Break the vacuum by allowing nitrogen into the three inter-connecting pipework port connections (low pressure gas pipe, high pressure gas pipe and liquid line pipe) until a positive pressure is achieved
5. Evacuate the system to a minimum reading of 500 Microns (0.5 Torr).
6. For a moisture free system, ensure the vacuum is held without movement for a minimum of 4 hours.
7. If pressure loss is detected, carry out steps 2 through 6 until no pressure loss is observed.

Additional Refrigerant Charge

1. Calculate the additional refrigerant charge using the diameter and length of the liquid pipe (only) using Table 2 below.
2. Calculate the additional refrigerant charge for each liquid line branch pipe kit.
3. Include 6.7 lbs. of refrigerant for each condensing unit in the system.
4. Total all calculations.
5. Add the calculated additional refrigerant to the system.

Liquid Line Length Calculation

Calculate additional refrigerant charge using the diameter and length of the liquid pipe.

Table 2. Liquid Line Calculation

$$\text{Liquid Line Additional Refrigerant (lbs.)} = \left(\begin{array}{l} \left(\begin{array}{l} \text{Total length (ft) of} \\ \text{liquid piping size} \\ \text{at } \Phi 7/8 \end{array} \right) \times 0.255 + \left(\begin{array}{l} \text{Total length (ft) of} \\ \text{liquid piping size} \\ \text{at } \Phi 3/4 \end{array} \right) \times 0.181 \\ + \left(\begin{array}{l} \text{Total length (ft) of} \\ \text{liquid piping size} \\ \text{at } \Phi 5/8 \end{array} \right) \times 0.120 + \left(\begin{array}{l} \text{Total length (ft) of} \\ \text{liquid piping size} \\ \text{at } \Phi 1/2 \end{array} \right) \times 0.080 \\ + \left(\begin{array}{l} \text{Total length (ft) of} \\ \text{liquid piping size} \\ \text{at } \Phi 3/8 \end{array} \right) \times 0.040 + \left(\begin{array}{l} \text{Total length (ft) of} \\ \text{liquid piping size} \\ \text{at } \Phi 1/4 \end{array} \right) \times 0.015 \end{array} \right)$$

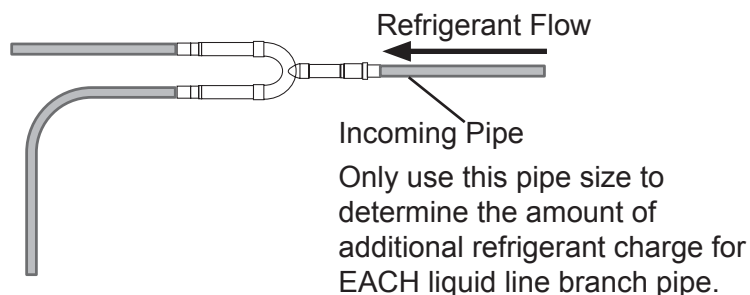
Condensing Unit Calculation

Include 6.7 lbs. of refrigerant for each condensing unit in the system.

Branch Pipe Kit Calculation

Add 1.60 ft. (488 mm) per EACH liquid line branch pipe (incoming pipe size only) for additional charge calculation.

Example: The branch pipe kit has an incoming pipe size of 7/8" and outgoing pipe sizes of 3/8" and 5/8". Use only the incoming pipe size of 7/8" to calculate the additional refrigerant charge for this branch pipe kit.



Connecting Manifolded Units

- See the instruction manual included with the branch pipe kit for detailed connection information.
- Connect the branch pipes between outdoor units so that they are horizontal level $\pm 10^\circ$.
- Do not install outdoor unit branch pipes vertically.
- Do not allow pipe to block outdoor unit access panels.
- Install a reverse trap if needed.
- Branch kits include pipes with graduated diameters. The piping can be cut to suit the installation needs. Use a pipe cutter designed for refrigeration tubing. Discard unused pipe.
- Refer to the Lennox VRF Selection Software (LVSS) pipe sizing diagram to obtain the correct inlet and outlet sizes for the installation.
- Keep all components sealed until brazing.

NOTE - Outdoor unit is shipped for bottom pipe entry. For front pipe entry installation, use parts in accessory bag.

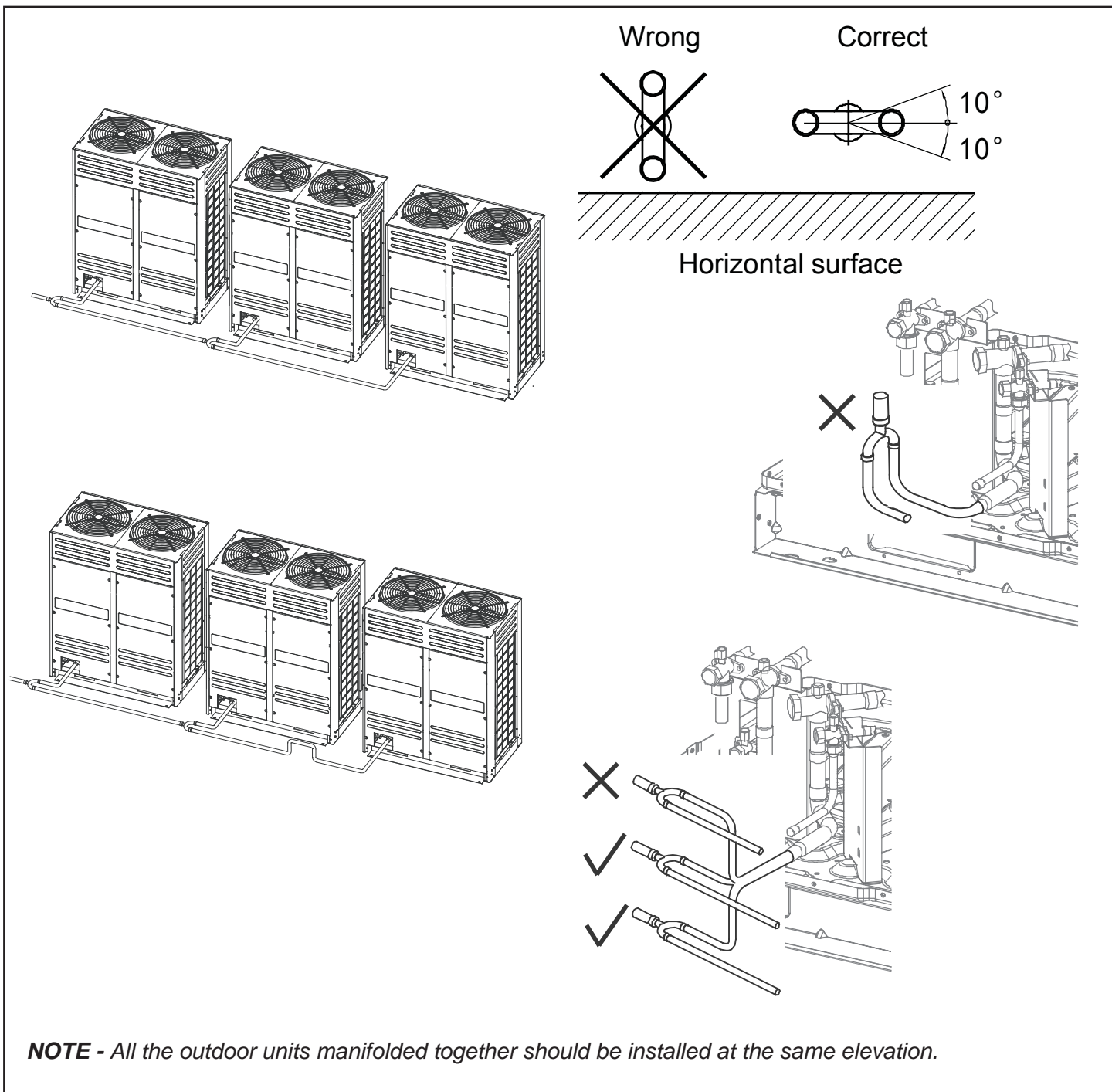


Figure 18. Connecting Manifolded Units

Internal valve layouts are the same in both heat recovery and heat pump units, it is their function that is different. Pay close attention when making final piping connections.

Heat Pump internal valve layouts are described below. See the Heat Recovery installation manual for heat pump internal valve information.

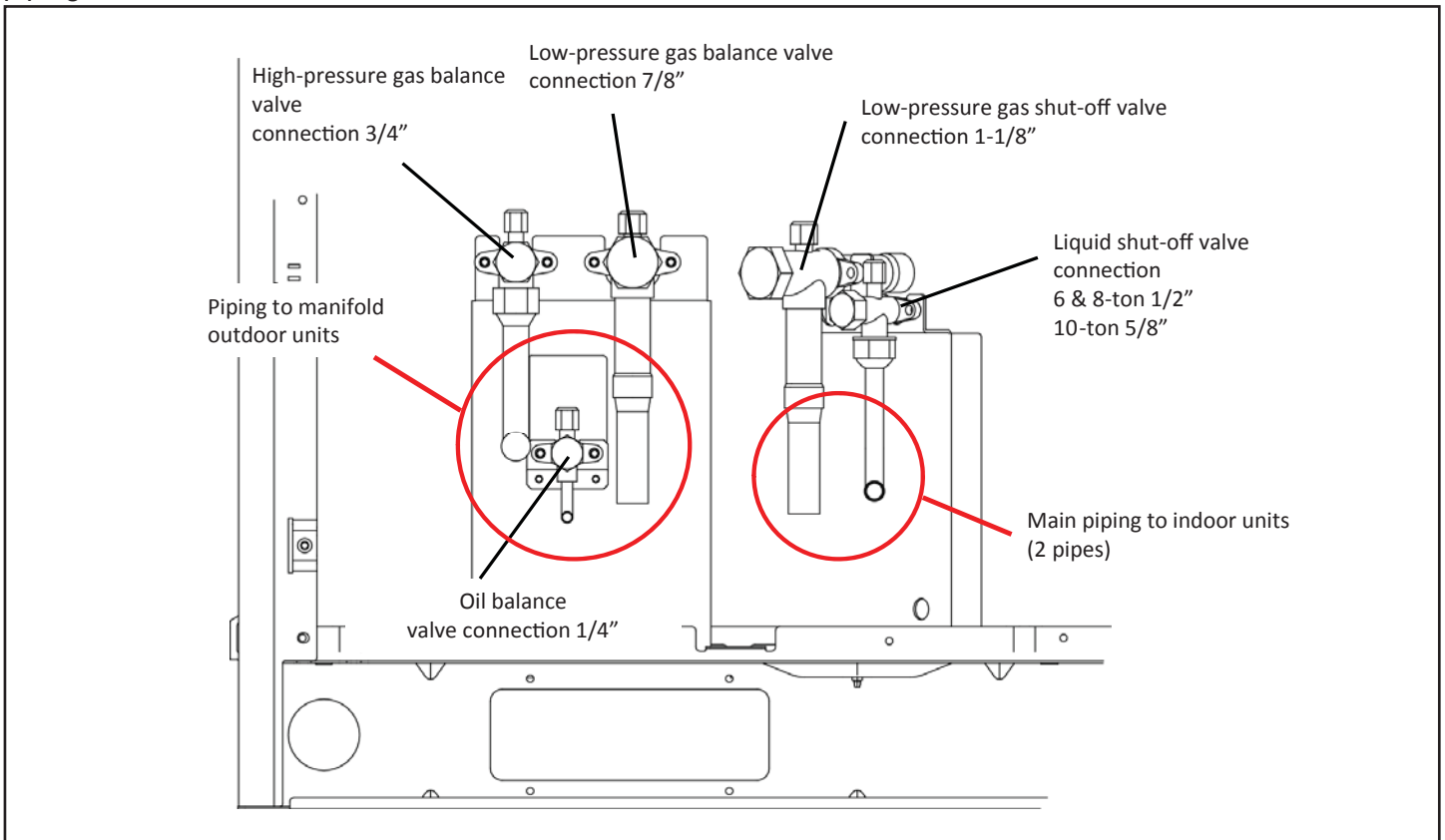


Figure 19. Heat Pump Internal Valve Layout

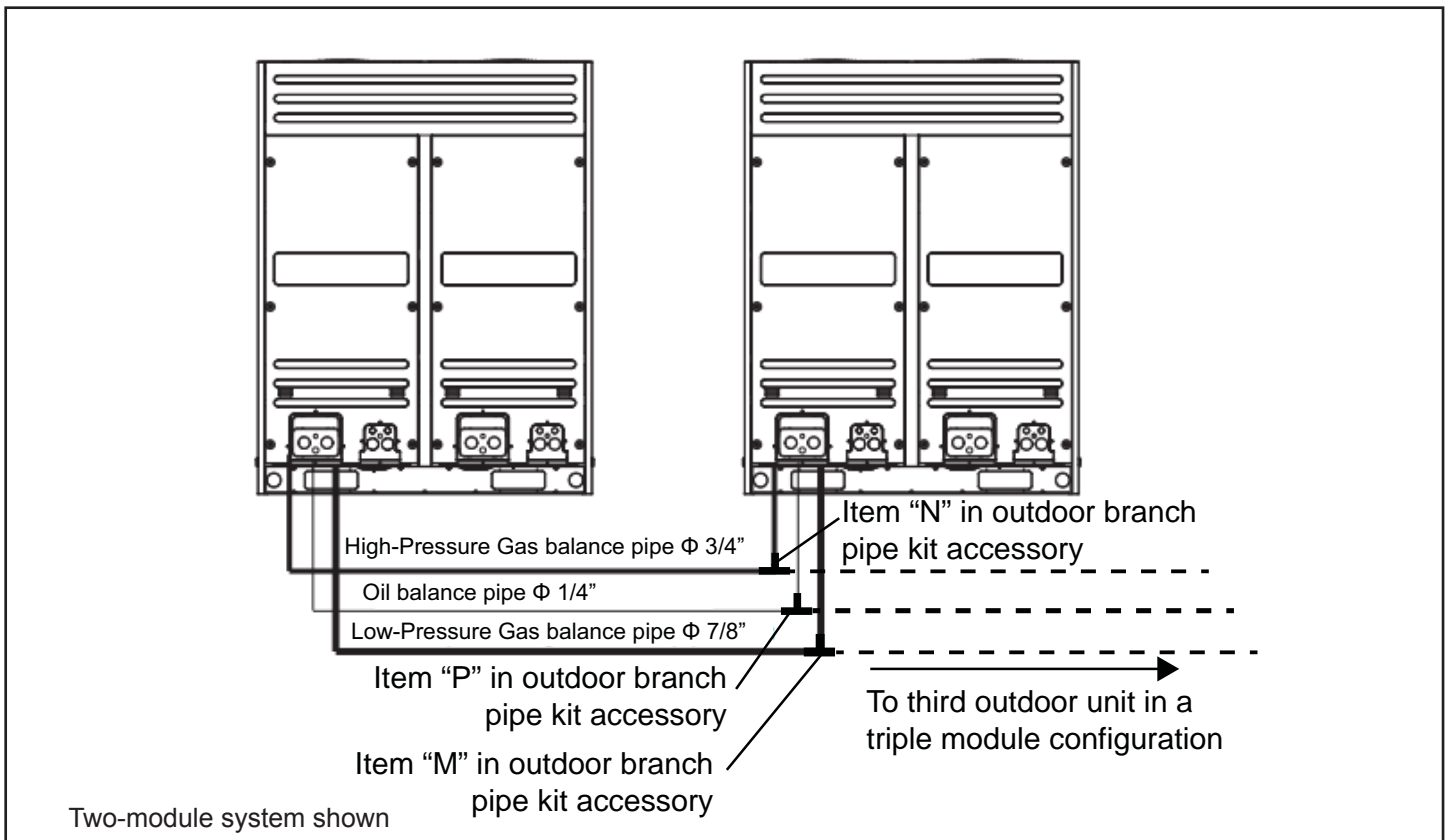


Figure 20. Balancing Pipe Sizes for Manifolder Outdoor Units

Name	Low-Pressure Gas Side Joints (inch)	Liquid Side Joints (inch)	Low-Pressure Gas Balance Joint (inch)	High-Pressure Gas Balance Joint (inch)	Oil Balance Joint (inch)	Insulation Material (furnished)
V80DBP02HP						(2 sets)
V80DBP03HP						(4 sets)

Triple-Module Balancing Pipes Only

Refer to the pipe sizing diagram in the LVSS report to determine pipe sizes. See figure 14.

Branch pipe kits are used to complete the piping for connecting outdoor units. T-shape connectors are used for balancing pipes only. U-shaped connectors are combined in the field to connect refrigerant piping for the structure. See figure 21.

Figure 21. Outdoor Unit Branch Pipe Kits

Wiring Connections

⚠WARNING

Isolate the power supply before accessing unit electrical terminals.
 Install unit so that unit disconnect is accessible.
 Follow all local and national codes, as well as this installation instruction, during installation. Do NOT overload electrical circuit, as this may lead to failure and possible fire.
 Use specified wiring and cable to make electrical connections. Clamp cables securely and make sure that connections are tight to avoid strain on wiring. Insecure wiring connections may result in equipment failure and risk of fire.
 Wiring must be installed so that all cover plates can be securely closed.

⚠CAUTION

This unit must be properly grounded and protected by a circuit breaker. The ground wire for the unit must not be connected to a gas or water pipe, a lightning conductor or a telephone ground wire.
 Do not connect power wires to the outdoor unit until all other wiring and piping connections have been completed.
 Install all wiring at least 3 feet away from televisions, radios or other electronic devices in order to avoid the possibility of interference with the unit operation.
 Separate power wiring supplies must be provided for the outdoor unit and indoor unit(s).
 Do not cross-connect refrigerant piping or signal wires between VRF systems. Each VRF system must be piped and wired separately.
 Each indoor unit must have its own electrical disconnect.
 Do not run signal wire and power wire in the same conduit; keep distance between the two conduits per local codes. (Make sure to set address of outdoor unit in case of parallel multi-outdoor units.)

NOTE - Each outdoor unit requires a separate power supply protected by a suitably sized circuit breaker.

1. Select the appropriate electrical inlet into the outdoor unit. Local and national codes apply.
2. Locate the terminal strip in the outdoor unit control box. Connect the power wiring (sized per NEC/CEC and local codes) and communications cable (3-conductor, shielded cable) per figure 18. Refer to unit nameplate for rated voltage.

IMPORTANT!

DO NOT adjust DIP switch settings. Settings may only be adjusted by a trained technician as part of the commissioning procedures.

Take care when making final power and control cable connections. Cross connection will result in damage to unit's main board.

Only apply power to the system after performing all of the pre-commissioning steps.

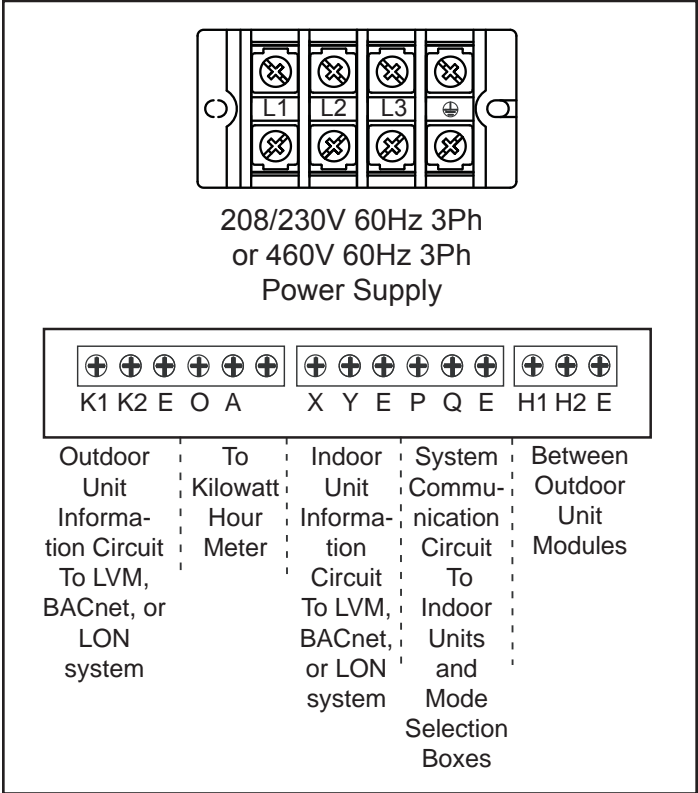
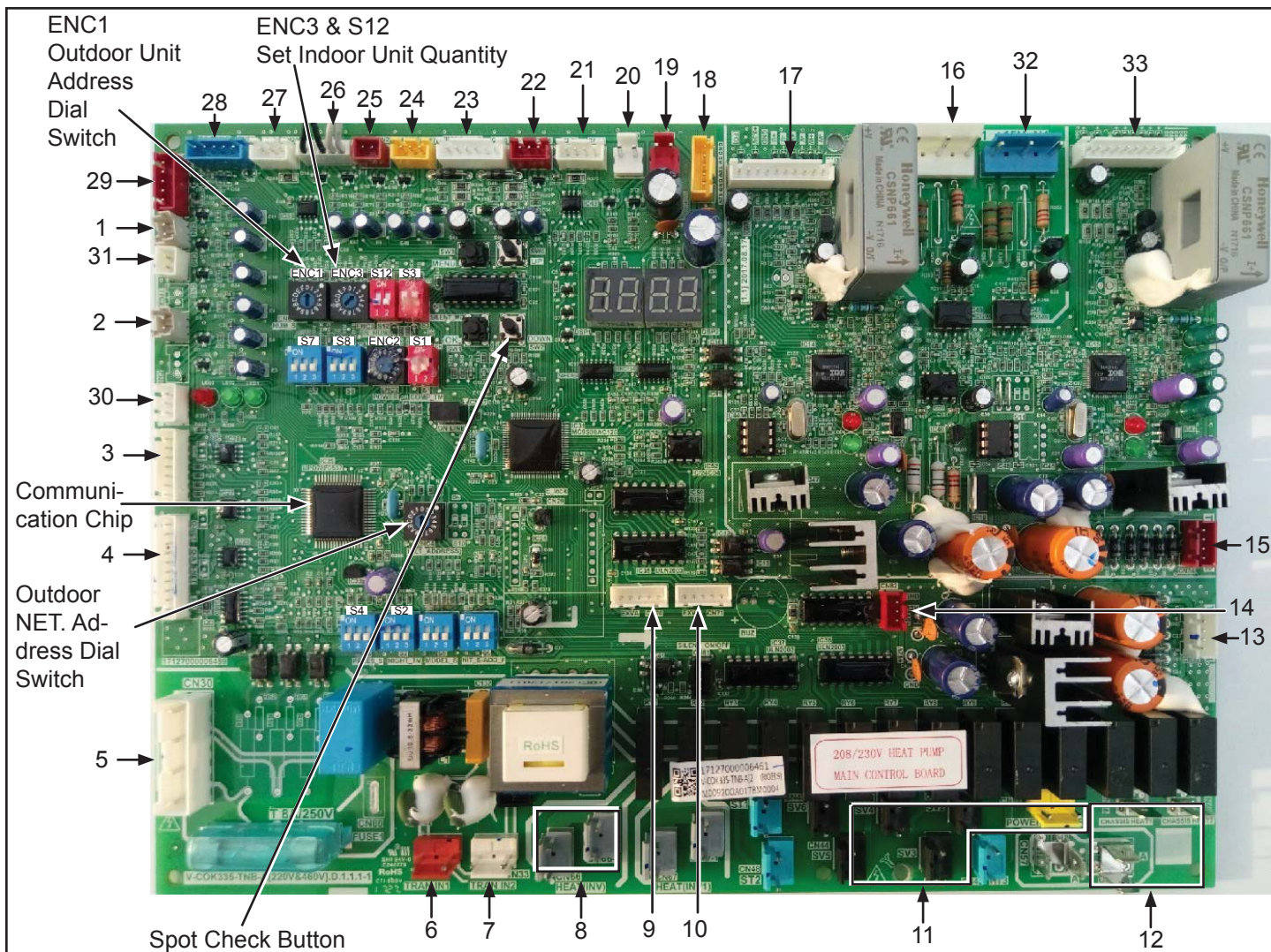


Figure 22. Wiring Terminals



#	Description
1	Discharge temp. sensor port of inverter compressor A
2	Heat sink temperature.
3	Reserve
4	Wiring port for communication between indoor and outdoor units, indoor unit network, outdoor unit network and network accounting
5	Power port
6	Power input of the No. 1 transformer
7	Power input of the No. 2 transformer
8	Crankcase heater power output port
9	EXV A driving port
10	EXV B driving port
11	Loading output terminal
12	Base pan heater power supply
13	Power output of the No.1 transformer
14	5VDC, 12VDC power port
15	Power output of the No.2 transformer
16	Port for inverter module A voltage inspection
17	Activation port of inverter module A

#	Description
18	Power supply connected port of the main control panel
19	ON/OFF signal input port for system low pressure inspection
20	ON/OFF signal input port for system high pressure inspection
21	Reserve
22	Input port for system low pressure inspection
23	Current inspection port of the inverter compressors A
24	Input port for system high pressure inspection
25	Port for temperature sensor on left outdoor coils
26	Inspection port for temperature of outdoor ambient and right hand side outdoor coils sensors
27	Communication ports between outdoor units
28	Control port of DC fan B
29	Control port of DC fan A
30	Power supply for communication terminal board
31	Discharge temperature sensor of inverter compressor B
32	Port for inverter module B voltage inspection
33	Control signal between main board and inverter module B

Figure 23. VPA072L, VPA096L, & VPA120L Main Board

Table 3. VPA Electrical Data

Model No.		VPA072L		VPA096L		VPA120L	
Line voltage data - 60 hz - 3 phase		208/230V	460V	208/230V	460V	208/230V	460V
¹ Maximum Overcurrent Protection (amps)		70	35	90	40	90	45
² Minimum circuit ampacity		54.7	27.6	67	32.1	68.2	34.4
Compressor	No. of compressors	2	2	2	2	2	2
	Rated load amps (Standard)	22	11	29	13	30	14
	Rated load amps (Low temperature)	20+19	10+9	25+25	12+11	26+25	13+12
Outdoor Fan Motor	Motor type	DC	DC	DC	DC	DC	DC
	No. of motors	2	2	2	2	2	2
	Full load amps	4.1+4.1	1.8+1.8	4.1+4.1	1.8+1.8	4.1+4.1	1.8+1.8
	Input - W	750+750	750+750	750+750	750+750	750+750	750+750
	Output - W	600+600	600+600	600+600	600+600	600+600	600+600

NOTES:

In multiple module systems each outdoor unit requires a separate electrical connection.

Incoming voltage must not be above or below these voltage ranges: 208/230V - 191V minimum, 247V maximum; 460V - 423V minimum, 497V maximum. 2% Maximum line voltage tolerance between phases.

¹ HACR type circuit breaker or fuse.

² Refer to National or Canadian Electrical Code manual to determine wire, fuse and disconnect size requirements.

DIP Switch Functions

S1 Starting Delay Setting

	Starting delay is 10 minutes
	Starting delay is 12 minutes (Default factory setting)

S2 Nighttime Selection

	Do not adjust without guidance of the Lennox VRF technical support. Incorrect adjustments will affect system performance.
--	---

S3 Night Silent Mode Setting

	Do not adjust without guidance of the Lennox VRF technical support. Incorrect adjustments will affect system performance.
--	---

S4 Static Pressure Setting

	Static pressure mode is 0 WG (Default factory setting)
	Static pressure mode is low pressure (Reserve position, used for customized unit)
	Static pressure mode is medium pressure (Reserve position, used for customized unit)
	Static pressure mode is high pressure (Reserve position, used for customized unit)

S5 Controller Priority Setting

	Heating priority mode (Default factory setting)
	Cooling priority mode
	Priority mode (VIP priority or Vote priority)
	Only respond to heating mode
	Only respond to cooling mode

S6 Unit Addressing Setting

	Automatically assign outdoor and indoor unit addresses
	Manually assign indoor unit addresses using wireless remote control. (Default factory setting)
	Reset all unit addresses

ENC 1 Outdoor Unit Address Setting

	Outdoor unit address assignment 0 - Main unit 1 -2 Sub units
--	--

ENC 3 and S12 Indoor Unit Address Setting

		Number of indoor units -- 1-15
		Number of indoor units -- 16-31
		Number of indoor units -- 32-47
		Number of indoor units -- 48-50

ENC 4 Outdoor Unit Network Address Setting

	Outdoor network address assignment -- 0-7
--	---

NOTE - Dip switch handle location is shown as a solid black box in the tables.

SW2 Query Instructions

# Displayed	Parameter description	Parameter value*
0. - -	Outdoor unit address	0,1, 2
1. - -	Outdoor unit capacity	6, 8,10 tons
2. - -	Modular outdoor unit quantity	Available for main unit
3. - -	Operation mode	0, 2, 3, 4
4. - -	Total capacity of outdoor unit	Capacity requirement
5. - -	Cooling capacity	Sub unit only displays capacity of main mode
6. - -	Heating capacity	Sub unit only displays capacity of main mode
7. - -	T4 ambient temperature revision of cooling capacity	
8. - -	T4 ambient temperature revision of heating capacity	
9. - -	The outdoor unit actual operation capacity	Capacity requirement
10. - -	Speed of fan A	0, 1,, 14, 15
11. - -	Speed of fan B	0, 1,, 14, 15
12. - -	T2 average temperature	Actual value
13. - -	T2B average temperature	Actual value
14. - -	Left hand side condenser temperature sensor – T3	Actual value
15. - -	Right hand side condenser temperature sensor – T5	Actual value
16. - -	T4 outdoor ambient temperature	Actual value
17. - -	Discharge temperature of inverter compressor A	Actual value
18. - -	Discharge temperature of inverter compressor B	Actual value
19. - -	Inverter module temperature	Actual value
20. - -	Saturated temperature corresponding to the discharge pressure	Actual value + 30
21. - -	Minimum discharge superheat	Actual value
22. - -	Current of inverter compressor A	Actual value
23. - -	Current of inverter compressor B	Actual value
24. - -	State of the evaporator or condenser	0, 1, 2
25. - -	Opening of EXV A	Actual value ÷ 8
26. - -	Opening of EXV B	Actual value ÷ 8
27. - -	High pressure	Actual value x 10
28. - -	Quantity of Indoor units	That can communicate with indoor units
29. - -	Quantity of Indoor units in cooling	Actual value
30. - -	Quantity of Indoor units in heating	Actual value
31. - -	Reserve	
32. - -	Noise control mode	0, 1, 2, 3
33. - -	Static pressure mode	0, 1, 2, 3
34. - -	Reserve	
35. - -	Reserve	
36. - -	Reserve	
37. - -	Last alarm code	If no alarm code, displays 888
38. - -	Remove fault number of times	
39. - -	Low pressure	Actual value x 10
40. - -	----	Check end

*Units of temperature are shown as °C, units of pressure are shown as MPa.

NOTES - Normal display: When in standby mode, the left position displays the address of the outdoor unit and the right position displays the quantity of indoor units that can communicate with the outdoor unit.

When the compressor is operating, the LED display shows the rotation frequency of the compressor.

Operation mode: 0-OFF; 2-Cooling; 3-Heating; 4-Forced cooling; 5-Mixed cooling; 6-Mixed Heating.

Fan speed: 0-Stop; 1~15: Speed increase gradually, (15 is the maximum speed).

EXV opening: Pulse count=Actual value ÷ 8; State of the evaporator or condenser: 0-All condenser; 1-Left evaporator/right condenser; 2-All evaporator.

Night noise control mode: 0-Night silent mode; 1-Silent mode; 2-Silent silent mode ; 3-None silent mode.

Static pressure mode: 0-Static pressure is 0 WG; 1-Low static pressure; 2-Medium static pressure; 3-High static pressure.

Main Control Board Buttons Functions and Definitions

SW1	OK
SW2	Down
SW3	Menu
SW4	Up

- Press SW3 (Menu) to enter Main Menu and show “n1”, press SW4 (UP) and SW2 (Down) to switch the Main Menu item.
- Press SW3 (Menu) to back to normal display.
- Press SW1 (OK) to enter the Main Menu item, n2 for example. Then press SW4 (UP) and SW2 (Down) to switch the Sub Menu item. Press SW3 (Menu) to back to Main Menu.
- Press SW1 (OK) to activate the function.

n1	n12	Force cooling ¹
n2	n26	Service mode ¹
n2	n27	Vacuum mode ¹
n3	n31	Query history error code
n3	n32	Clear history error code

¹ Only Shows on main outdoor unit.

- **Force Cooling.** System will be forced to operate cooling, and all indoor units will be forced to operate cooling as well.
- **Service mode.** System will not detect indoor unit quantity last for 4 hours, during the period, outdoor unit will never show H7 error even an indoor unit is offline. System will automatically exit service mode after 4 hours.
- **Vacuum mode.** All the valve of the outdoor units' valves, MS boxes valves and indoor units' valves will be opened. This function is for vacuuming the system.
- **Query history error code.** You can query the last 10 error code, and press SW4 (UP) and SW2 (Down) to check the error code back and forth.
- **Clear history error code.** After clearing history error code, you will see no error code showing when you choose “Query history error code”.
- **Exit function.** Press button SW1 (OK) and hold for 5 seconds or you can re-energize the system to exit current function.

Electrical Installation for Indoor and Outdoor Units

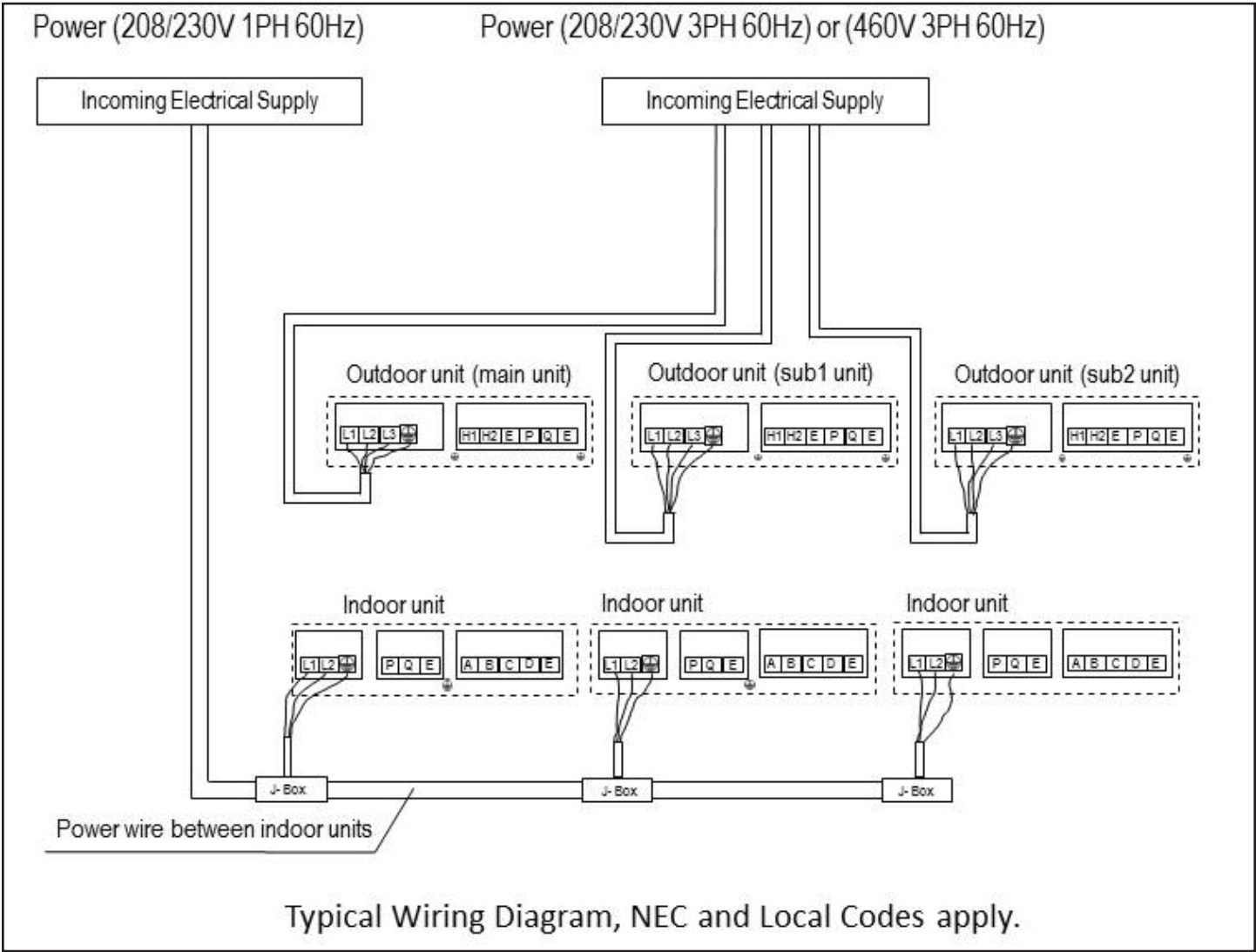
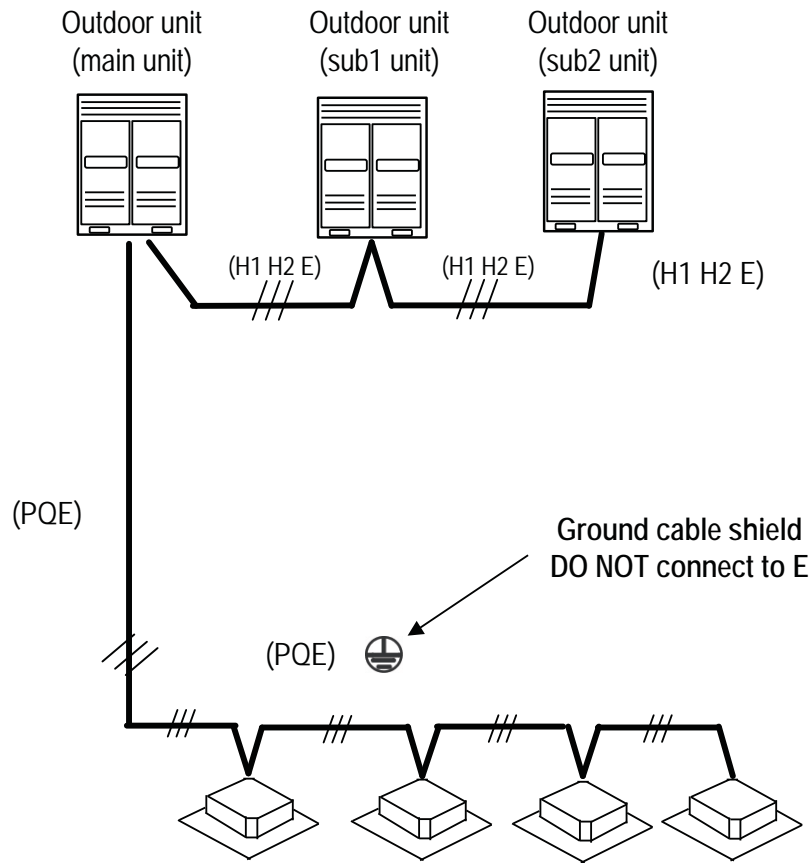




Figure 24. VPA Typical Power Wiring




 Install a terminating resistor at the last indoor unit terminals P and Q of the daisy chain.


 All shields of shielded cable connect to GROUND terminal, **not to terminal E**.

18 GA., stranded, 3-conductor, shielded control wire (polarity sensitive).

Typical Wiring Diagram, NEC/CEC and Local Codes apply.

Figure 25. VPA Typical Control Wiring

Trial Run

Before operation, remove the six (6) pieces of PE foam which are used at the rear of the unit for protecting the outdoor coils. Be careful not to damage the fin; otherwise, the heat exchange performance may be affected. Also remove the PE foam which is used inside the front right hand side panel adjacent to the compressor.

Precautions Before Start Up

- Confirm that refrigeration piping and communication wiring of the indoor and outdoor units have been connected to the same refrigeration system.
- Check and confirm that incoming voltage must not be above or below these voltage ranges: 208/230V - 191V minimum, 247V maximum; 460V - 423V minimum, 497V maximum. 2% Maximum line voltage tolerance between phases.
- Check and confirm that the power wire and control wire are correctly connected.
- Check whether wired controller is properly connected.
- Before power up, confirm there is no short circuit to ground.

- Check whether all units have passed nitrogen pressure test for 24 hours at recommended pressure rating.
- Confirm whether the system has been evacuated.
- Calculate the additional refrigerant charge for each system according to the actual length of liquid pipe and add as necessary.
- Have system plan, system piping diagram and control wiring diagrams on hand for reference.
- Record the setting address code on the system plan.
- Turn on power to outdoor unit for 12 hours for crank case heater to warm the oil in the compressor.
- Ensure all necessary service valves are open.
- All dial codes and DIP switches of indoor and outdoor unit have been set according to the technical requirement of product, see the indoor unit manual for information about the indoor unit.

Identify Name of Each System

- To clearly identify the connected systems between two or more indoor units and outdoor unit, select names for every system and record them on the nameplate on the outdoor electric control box cover.