

VARIABLE REFRIGERANT FLOW SYSTEMS



**VRF**

**VRA**

Low Ambient Heat Recovery Outdoor Unit - 60HZ

Bulletin No. 210829  
March 2018

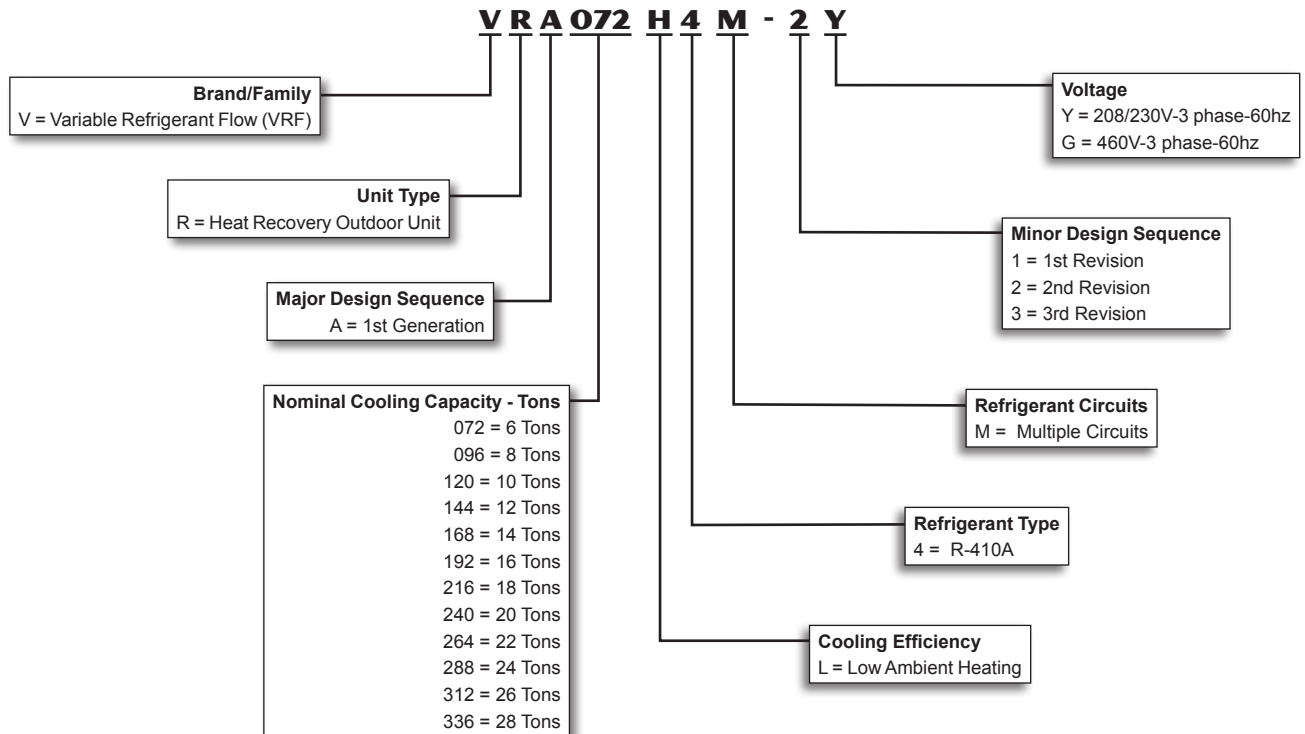
**PRODUCT SPECIFICATIONS**



**ASHRAE 90.1  
COMPLIANT**

**6 to 28 Tons**

**MODEL NUMBER IDENTIFICATION**



## FEATURES/BENEFITS

### CONTENTS

AHRI Ratings .....	5
Capacity Tables Index.....	13
Dimensions .....	10
Dimensions - Piping Details.....	11
Electrical Data.....	4
Features/Benefits.....	2
Installation Clearances .....	12
Model Number Identification .....	1
Sound Data.....	7
Specifications.....	4
System Combinations.....	3
System Selection .....	74

### OVERVIEW

Variable-capacity outdoor units modulate the amount of refrigerant needed based on cooling and heating demands allowing for reduced energy usage at partial load conditions.

Heat Recovery units allow some indoor units to heat and other indoor units to cool simultaneously as required, while the compressor load benefits from the internal heat recovery.

### APPROVALS

AHRI Certified to AHRI Standard 1230-2014.

All models are ASHRAE 90.1 compliant.

Units are ETL certified for the U.S. and Canada.

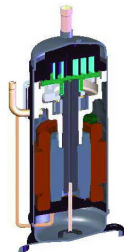
### WARRANTY

**Compressor and all Covered Components** - Limited ten years for qualifying installations.

See Warranty Certificate for details.

### FEATURES

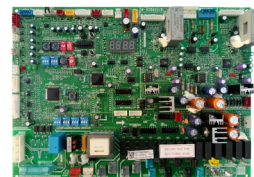
- **Capacity** - Ranges from 6 to 28 tons in 2-ton increments. Up to 56 indoor units (with capacity up to 130% of total outdoor units) can be connected to one refrigeration system.
- **Compressor** - High efficiency variable capacity scroll compressor is direct current inverter controlled. Reduces power consumption by as much as 25% by varying compressor motor input frequency and voltage. Compressor is designed for R-410A refrigerant.
- **Direct Current Outdoor Fan Motor** - Outdoor unit control varies the speed of the outdoor fan motor (up to 15 steps) based on load and refrigerant discharge pressure for minimum energy consumption. Standard on all outdoor unit models.



- **Outdoor Fan Grille** - Enhanced design reduces sound levels.



- **Outdoor Fan Blade Profile** - Aerodynamically designed fan blade increases the airflow rate and reduces vibration and sound.
- **High External Static Pressure** - High-static pressure outdoor fan adapts to various installation environments. Offers up to 0.25 in. w.g. external static pressure for custom applications. A standard 0.08 to 0.25 in. w.g. function is furnished as standard.
- **High Performance Outdoor Coil** - Special fin design pattern reduces air resistance and increases heat transfer. Rifled tubing provides superior refrigerant flow resulting in maximum heat transfer. Hydrophilic coating reduces condensate build-up and improves water drainage from coil, enhancing heat transfer performance.
- **Operation Range** - System will operate at temperatures ranging from 23°F to 118°F in the cooling mode and -13°F to 75°F in the heating mode.
- **Flexible Piping Design** - Supports extended refrigerant piping and drop lengths.
- **Four-Way Valve Control** - Reverses refrigerant flow during cooling or heating modes.
- **Refrigerant Line Connections** - Gas and liquid line service valves and gauge ports are located inside the cabinet.
- **High Pressure Sensor/Switch** - Shuts off unit if abnormal operating conditions cause the discharge pressure to rise above setting. Protects compressor from excessive discharge pressure.
- **Low Pressure Sensor/Switch** - Shuts off unit if suction pressure falls below setting. Provides loss of charge and freeze-up protection.
- **Unit Control Board** - Contains all necessary relays and controls to setup, maintain and service the system. LED readout aids in system setup, maintenance and servicing. Rotary DIP switches allow outdoor and indoor unit addressing, starting time silent time and mode, static pressure selection, outdoor unit capacity and network addressing. LEDs indicate power supply, unit operation, network operation, inverter module operation.
- **Convenient Communication Wiring** - One set of communication wire is shared among indoor units, outdoor units and the network.



## FEATURES/BENEFITS

### FEATURES (continued)

- **Pulse Meter Connections** - Real-time monitoring of energy consumption through the Lennox VRF manager (LVM) Touchscreen Centralized Controller.

*NOTE - Pulse meter is not furnished and must be field provided.*

- **Cycle Duty and Backup Operation** - In a multiple outdoor unit setup, any outdoor unit can be programmed as the master outdoor unit to maintain system operation during servicing. Master outdoor unit is set on the control board.
- **Precise Oil Control Technology** - Five-stage oil balance and return technology ensures proper compressor operation throughout the system.
  - 1st stage: Oil and gas is separate in compressor.
  - 2nd stage: High efficiency centrifugal oil separator (efficiency up to 99%) keeps oil from being distributed by high pressure and high temperature refrigerant gas and returns oil to compressor.
  - 3rd stage: Refrigerant piping design between compressors keeps proper oil balance.
  - 4th stage: Valve between outdoor unit stages maintains proper oil balance.
  - 5th stage: Intelligent oil return algorithm implemented through the unit control maintains proper oil balance.
- **Intelligent Soft Start** - Gradually ramps up compressor to speed to conserve energy.



- **Base Pan Heater**- Factory installed heater operates during heating mode when outdoor temperatures are below 36°F and stops when outdoor temperatures are above 39°F.
- **Control Box** - Contains main unit controller, DC inverter module, inverter reactor, filter board, outdoor power supply control, DC fan control module, contactor, power transformers and terminal block. Swing-out design allows easy access to compressor compartment.
- **Night Silence Mode** - Reduces the speed of the outdoor fans for quiet operation. Mode is set by DIP switches on the control board. The start time is measured in hours from the daytime peak temperature and the operating time is configurable. Extra silent mode reduces sound levels to a minimum of 45 dBA.

### OPTIONAL ACCESSORIES

#### Hail Guard Kits V8GARD11L11 (14C43)

Flat design allows outdoor modules to be placed close together.

Painted to match the outdoor unit.

Four per box, order one kit per outdoor unit module.

Dimensions (H x W): 48-3/4 x 23 in. (1238 x 584 mm)

Models	No. of Kits Required
072, 096, 120	1
144, 168, 192, 216, 240	2
264, 288, 312, 336	3

### SYSTEM COMBINATIONS

Model No.	Capacity	Outdoor Units Combinations	Maximum Number of Indoor Units
VRA072L4	6 Ton	(1) VRA072L4	13
VRA096L4	8 Ton	(1) VRA096L4	16
VRA120L4	10 Ton	(1) VRA120L4	20
VRA144L4	12 Ton	(1) VRA072L4 + (1) VRA072L4	26
VRA168L4	14 Ton	(1) VRA072L4 + (1) VRA096L4	29
VRA192L4	16 Ton	(1) VRA096L4 + (1) VRA096L4	33
VRA216L4	18 Ton	(1) VRA096L4 + (1) VRA120L4	36
VRA240L4	20 Ton	(1) VRA120L4 + (1) VRA120L4	39
VRA264L4	22 Ton	(1) VRA072L4 + (1) VRA096L4 + (1) VRA096L4	46
VRA288L4	24 Ton	(1) VRA072L4 + (1) VRA096L4 + (1) VRA120L4	50
VRA312L4	26 Ton	(1) VRA096L4 + (1) VRA096L4 + (1) VRA120L4	53
VRA336L4	28 Ton	(1) VRA096L4 + (1) VRA120L4 + (1) VRA120L4	56

## SPECIFICATIONS - INDIVIDUAL OUTDOOR UNITS

Model No.		VRA072L4	VRA096L4	VRA120L4
	Nominal Size - Tons	6	8	10
<b>Sound Data</b>	dBA	59	59	60
<b>Refrigerant</b>	Type	R-410A	R-410A	R-410A
	Charge furnished	22 lbs. 0 oz.	22 lbs. 0 oz.	22 lbs. 0 oz.
<b>Compressor</b>	No. and Type	(2) DC inverter	(2) DC inverter	(2) DC inverter
	Crankcase heater - W	(4) 30	(4) 30	(4) 30
	Refrigerant oil type	FVC68D	FVC68D	FVC68D
	Refrigerant oil charge (no. of compressors)	(2) 16.9 oz.	(2) 16.9 oz.	(2) 16.9 oz.
<b>Connections - in. (sweat)</b>	Liquid pipe	1/2	1/2	5/8
	Gas pipe (low pressure)	7/8	7/8	1-1/8
	Gas pipe (high pressure)	7/8	7/8	7/8
	Gas balance pipe (high pressure)	3/4	3/4	3/4
	Oil balance pipe	1/4	1/4	1/4
<b>Outdoor Fans</b>	Quantity, Type and Material	(2) Axial Plastic	(2) Axial Plastic	(2) Axial Plastic
	External Static Pressure - in. w.g.	0 - 0.08 (default), adjustable up to 0.24		
	Air volume - cfm	7215	7215	7215
	Motor rpm	930	930	930
<b>Outdoor Coil</b>	Number of rows	3	3	3
	Tube pitch (a) × row pitch (b) - in.	7/8×3/4	7/8×3/4	7/8×3/4
	Fin spacing - in.	1/16	1/16	1/16
	Fin type	Hydrophilic aluminium		
	Tube outside diameter - in.	5/16	5/16	5/16
	Tube type	Rifled copper tubing		
	Coil dimension (W × D × H) - in.	42 × 1-1/2 × 48-1/2	42 × 1-1/2 × 48-1/2	42 × 1-1/2 × 48-1/2
	Quantity	2	2	2
	Number of circuits	14	14	14
<b>Design Pressure</b>	High/low	650/250	650/250	650/250
<b>Ambient Temperature Range (°F)</b>	Cooling	23 - 118	23 - 118	23 - 118
	Heating	-13 - 75	-13 - 75	-13 - 75
	Simultaneous Cooling/Heating	23 - 75	23 - 75	23 - 75
<b>Shipping Data</b>	Net/Shipping weight - 208/230V	763/815	763/815	763/815
	460V	772/82	772/826	772/826
<b>Connectable Indoor Units</b>	Total capacity (%)	50 to 130	50 to 130	50 to 130
	Maximum quantity	13 units	16 units	20 units
<b>Electrical Data</b>		See separate Electrical Data Table for individual outdoor unit data		

## ELECTRICAL DATA - INDIVIDUAL OUTDOOR UNITS

Model No.		VRA072L4		VRA096L4		VRA120L4	
		208/230V	460V	208/230V	460V	208/230V	460V
	Line voltage data - 60 hz - 3 phase						
	<sup>1</sup> Maximum Overcurrent Protection (amps)	70	35	90	40	90	45
	<sup>2</sup> Minimum circuit ampacity	54.7	27.6	67	32.1	68.2	34.4
<b>Compressor</b>	No. of compressors	2	2	2	2	2	2
	Rated load amps (standard)	22	11	29	13	30	14
	(low ambient)	20/19	10/9	25/25	12/11	26/25	13/12
<b>Outdoor Fan Motor</b>	Motor type	DC	DC	DC	DC	DC	DC
	No. of motors	2	2	2	2	2	2
	Full load amps	4.1/4.1	1.8/1.8	4.1/4.1	1.8/1.8	4.1/4.1	1.8/1.8
	Input - W	750/750	750/750	750/750	750/750	750/750	750/750
	Output - W	600/600	600/600	600/600	600/600	600/600	600/600

### NOTES:

In multiple module systems each outdoor unit requires a separate electrical connection.

Incoming voltage must not be above or below these voltage ranges:

208/230V - 191V minimum, 247V maximum

460V - 423V minimum, 497V maximum

2% Maximum line voltage tolerance between phases.

<sup>1</sup> HACR type circuit breaker or fuse.

<sup>2</sup> Refer to National or Canadian Electrical Code manual to determine wire, fuse and disconnect size requirements.



## AHRI RATINGS - SINGLE MODULE SYSTEMS

6-10 TONS

Model No.	Nominal Size - Tons	VRA072L4		VRA096L4		VRA120L4	
		6		8		10	
<sup>1</sup> AHRI Ratings	Indoor System Type	Ducted	Non-Ducted	Ducted	Non-Ducted	Ducted	Non-Ducted
	208/230V - 3ph	Cooling - Btuh	69,000	69,000	92,000	92,000	115,000
	High Temp. Heating - Btuh	77,000	77,000	103,000	103,000	120,000	120,000
	Low Temp. Heating - Btuh	54,000	54,000	72,000	72,000	80,000	80,000
	EER	11.8	13	11	12.7	11	11.6
	IEER	21.6	23.1	21.5	24.1	21	21.9
	<sup>2</sup> SCHE	26.1	30	26.2	30	26.3	30
	Heating COP 47°F (high)	3.68	4.05	3.63	3.82	3.45	3.52
	Heating COP 17°F (low)	2.25	2.53	2.28	2.44	2.25	2.25
	AHRI Reference Number	201862855	201862854	201862857	201862856	201862859	201862858
460V - 3ph	Cooling - Btuh	69,000	69,000	92,000	92,000	115,000	115,000
	High Temp. Heating - Btuh	77,000	77,000	103,000	103,000	120,000	120,000
	Low Temp. Heating - Btuh	54,000	54,000	72,000	72,000	80,000	80,000
	EER	11.8	13	11	12.7	11	11.6
	IEER	21.6	23.1	21.5	24.1	21	21.9
	<sup>2</sup> SCHE	26.1	30	26.2	30	26.3	30
	Heating COP 47°F (high)	3.68	4.05	3.63	3.82	3.45	3.52
	Heating COP 17°F (low)	2.25	2.53	2.28	2.44	2.25	2.25
	AHRI Reference Number	201862879	201862878	201862881	201862880	201862883	201862882

NOTE - Per AHRI, the certified ratings for VRF systems are valid for all combinations of indoor units with the specific outdoor units listed above and in the AHRI Directory of Certified Equipment. Please visit <http://www.ahridirectory.org> for further details and latest updates.

<sup>1</sup> Ratings are AHRI certified to AHRI Standard 1230-2014;

- Cooling Ratings - 80°F dry bulb/67°F wet bulb entering indoor coil air and 95°F dry bulb/75°F wet bulb outdoor air temperature.
- High Temperature Heating Ratings - 70°F dry bulb/60°F wet bulb entering indoor coil air and 47°F dry bulb/43°F wet bulb outdoor air temperature.
- Low Temperature Heating Ratings - 70°F dry bulb/60°F wet bulb entering indoor coil air and 17°F dry bulb/15°F wet bulb outdoor air temperature.

<sup>2</sup> SCHE - Simultaneous Heating and Cooling Efficiency.

## AHRI RATINGS - TWO MODULE SYSTEMS

12-16 TONS

Model No.	Outdoor Unit Combinations	VRA144L4		VRA168L4		VRA192L4	
		(1) VRA072L4 + (1) VRA072L4		(1) VRA072L4 + (1) VRA096L4		(1) VRA096L4 + (1) VRA096L4	
<sup>1</sup> AHRI Ratings	Nominal Size - Tons	12		14		16	
	Indoor System Type	Ducted	Non-Ducted	Ducted	Non-Ducted	Ducted	Non-Ducted
208/230V - 3ph	Cooling - Btuh	138,000	138,000	160,000	160,000	184,000	184,000
	High Temp. Heating - Btuh	154,000	154,000	180,000	180,000	206,000	206,000
	Low Temp. Heating - Btuh	108,000	108,000	126,000	126,000	144,000	144,000
	EER	11.1	12	11	11.7	10.9	11.5
	IEER	20.8	22.6	20.6	22.2	20.6	21.6
	<sup>2</sup> SCHE	25.8	27	24.2	26.2	25.2	26.5
	Heating COP 47°F (high)	3.62	3.75	3.6	3.71	3.52	3.62
	Heating COP 17°F (low)	2.34	2.58	2.29	2.47	2.23	2.35
	AHRI Reference Number	201862861	201862860	201862863	201862862	201862865	201862864
460V - 3ph	Cooling - Btuh	138,000	138,000	160,000	160,000	184,000	184,000
	High Temp. Heating - Btuh	154,000	154,000	180,000	180,000	206,000	206,000
	Low Temp. Heating - Btuh	108,000	108,000	126,000	126,000	144,000	144,000
	EER	11.1	12	11	11.7	10.9	11.5
	IEER	20.8	22.6	20.6	22.2	20.6	21.6
	<sup>2</sup> SCHE	25.8	27	24.2	26.2	25.2	26.5
	Heating COP 47°F (high)	3.62	3.75	3.6	3.71	3.52	3.62
	Heating COP 17°F (low)	2.34	2.58	2.29	2.47	2.23	2.35
	AHRI Reference Number	201862885	201862884	201862887	201862886	201862889	201862888

NOTE - Per AHRI, the certified ratings for VRF systems are valid for all combinations of indoor units with the specific outdoor units listed above and in the AHRI Directory of Certified Equipment. Please visit <http://www.ahridirectory.org> for further details and latest updates.

<sup>1</sup> Nominal capacity with 25 ft. of equivalent refrigerant lines and 0 ft. height difference.

<sup>2</sup> Ratings are AHRI certified to AHRI Standard 1230-2014;

- Cooling Ratings - 80°F dry bulb/67°F wet bulb entering indoor coil air and 95°F dry bulb/75°F wet bulb outdoor air temperature.
- High Temperature Heating Ratings - 70°F dry bulb/60°F wet bulb entering indoor coil air and 47°F dry bulb/43°F wet bulb outdoor air temperature.
- Low Temperature Heating Ratings - 70°F dry bulb/60°F wet bulb entering indoor coil air and 17°F dry bulb/15°F wet bulb outdoor air temperature.

<sup>3</sup> SCHE - Simultaneous Heating and Cooling Efficiency.

## AHRI RATINGS - TWO MODULE SYSTEMS

18-20 TONS

Model No.		VRA216L4		VRA240L4	
Outdoor Unit Combinations		(1) VRA096L4 + (1) VRA120L4		(1) VRA120L4 + (1) VRA120L4	
Nominal Size - Tons		18		20	
<sup>1</sup> AHRI Ratings	Indoor System Type	Ducted	Non-Ducted	Ducted	Non-Ducted
208/230V - 3ph	Cooling - Btuh	206,000	206,000	230,000	230,000
	High Temp. Heating - Btuh	224,000	224,000	240,000	240,000
	Low Temp. Heating - Btuh	152,000	152,000	160,000	160,000
	EER	10.8	11.4	10.4	11.3
	IEER	20.6	20.7	19.8	20.1
	<sup>2</sup> SCHE	26.3	26.3	26.3	26.5
	Heating COP 47°F (high)	3.45	3.58	3.43	3.56
	Heating COP 17°F (low)	2.23	2.28	2.21	2.28
	AHRI Reference Number	201862867	201862866	201862869	201862868
	460V - 3ph	Cooling - Btuh	206,000	206,000	230,000
High Temp. Heating - Btuh		224,000	224,000	240,000	240,000
Low Temp. Heating - Btuh		152,000	152,000	160,000	160,000
EER		10.8	11.4	10.4	11.3
IEER		20.6	20.7	19.8	20.1
<sup>2</sup> SCHE		26.3	26.3	26.3	26.5
Heating COP 47°F (high)		3.45	3.58	3.43	3.56
Heating COP 17°F (low)		2.23	2.28	2.21	2.28
AHRI Reference Number		201862891	201862890	201862893	201862892

NOTE - Per AHRI, the certified ratings for VRF systems are valid for all combinations of indoor units with the specific outdoor units listed above and in the AHRI Directory of Certified Equipment. Please visit <http://www.ahridirectory.org> for further details and latest updates.

<sup>1</sup> Ratings are AHRI certified to AHRI Standard 1230-2014;

• Cooling Ratings - 80°F dry bulb/67°F wet bulb entering indoor coil air and 95°F dry bulb/75°F wet bulb outdoor air temperature.

• High Temperature Heating Ratings - 70°F dry bulb/60°F wet bulb entering indoor coil air and 47°F dry bulb/43°F wet bulb outdoor air temperature.

• Low Temperature Heating Ratings - 70°F dry bulb/60°F wet bulb entering indoor coil air and 17°F dry bulb/15°F wet bulb outdoor air temperature.

<sup>2</sup> SCHE - Simultaneous Heating and Cooling Efficiency.

## AHRI RATINGS - THREE MODULE SYSTEMS

22-24 TONS

Model No.		VRA264L4		VRA288L4	
Outdoor Unit Combinations		(1) VRA072L4 + (1) VRA096L4 + (1) VRA096L4		(1) VRA072L4 + (1) VRA096L4 + (1) VRA120L4	
Nominal Size - Tons		22		24	
<sup>1</sup> AHRI Ratings	Indoor System Type	Ducted	Non-Ducted	Ducted	Non-Ducted
208/230V - 3ph	Cooling - Btuh	252,000	252,000	276,000	276,000
	High Temp. Heating - Btuh	282,000	282,000	298,000	298,000
	Low Temp. Heating - Btuh	198,000	198,000	204,000	204,000
	EER	10.7	11.5	10.3	10.9
	IEER	20.5	22.4	18.9	21.2
	<sup>2</sup> SCHE	24.2	24.5	22.2	22.5
	Heating COP 47°F (high)	3.42	3.6	3.35	3.5
	Heating COP 17°F (low)	2.26	2.33	2.19	2.32
	AHRI Reference Number	201862871	201862870	201862873	201862872
	460V - 3ph	Cooling - Btuh	252,000	252,000	276,000
High Temp. Heating - Btuh		282,000	282,000	298,000	298,000
Low Temp. Heating - Btuh		198,000	198,000	204,000	204,000
EER		10.7	11.5	10.3	10.9
IEER		20.5	22.4	18.9	21.2
<sup>2</sup> SCHE		24.2	24.5	22.2	22.5
Heating COP 47°F (high)		3.42	3.6	3.35	3.5
Heating COP 17°F (low)		2.26	2.33	2.19	2.32
AHRI Reference Number		201862895	201862894	201862897	201862896

NOTE - Per AHRI, the certified ratings for VRF systems are valid for all combinations of indoor units with the specific outdoor units listed above and in the AHRI Directory of Certified Equipment. Please visit <http://www.ahridirectory.org> for further details and latest updates.

<sup>1</sup> Ratings are AHRI certified to AHRI Standard 1230-2014;

• Cooling Ratings - 80°F dry bulb/67°F wet bulb entering indoor coil air and 95°F dry bulb/75°F wet bulb outdoor air temperature.

• High Temperature Heating Ratings - 70°F dry bulb/60°F wet bulb entering indoor coil air and 47°F dry bulb/43°F wet bulb outdoor air temperature.

• Low Temperature Heating Ratings - 70°F dry bulb/60°F wet bulb entering indoor coil air and 17°F dry bulb/15°F wet bulb outdoor air temperature.

<sup>2</sup> SCHE - Simultaneous Heating and Cooling Efficiency.

## AHRI RATINGS - TWO MODULE SYSTEMS

**24-28 TONS**

Model No.		VRA312L4		VRA336L4		
Outdoor Unit Combinations		(1) VRA096L4 + (1) VRA096L4 + (1) VRA120L4		(1) VRA096L4 + (1) VRA120L4 + (1) VRA120L4		
Nominal Size - Tons		26		28		
<sup>1</sup> AHRI Ratings	Indoor System Type	Ducted	Non-Ducted	Ducted	Non-Ducted	
208/230V - 3ph	Cooling - Btuh	298,000	298,000	320,000	320,000	
	High Temp. Heating - Btuh	320,000	320,000	338,000	338,000	
	Low Temp. Heating - Btuh	218,000	218,000	224,000	224,000	
	EER	9.9	10.3	9.6	10	
	IEER	18.7	20.6	17.9	19.7	
	<sup>2</sup> SCHE	21.9	22	20.8	21.3	
	Heating COP 47°F (high)	3.32	3.45	3.25	3.35	
	Heating COP 17°F (low)	2.18	2.22	2.17	2.17	
	AHRI Reference Number	201862875	201862874	201862877	201862876	
	460V - 3ph	Cooling - Btuh	298,000	298,000	320,000	320,000
		High Temp. Heating - Btuh	320,000	320,000	338,000	338,000
		Low Temp. Heating - Btuh	218,000	218,000	224,000	224,000
		EER	9.9	10.3	9.6	10
		IEER	18.7	20.6	17.9	19.7
<sup>2</sup> SCHE		21.9	22	20.8	21.3	
Heating COP 47°F (high)		3.32	3.45	3.25	3.35	
Heating COP 17°F (low)		2.18	2.22	2.17	2.17	
AHRI Reference Number		201862899	201862898	201862901	201862900	

NOTE - Per AHRI, the certified ratings for VRF systems are valid for all combinations of indoor units with the specific outdoor units listed above and in the AHRI Directory of Certified Equipment. Please visit <http://www.ahridirectory.org> for further details and latest updates.

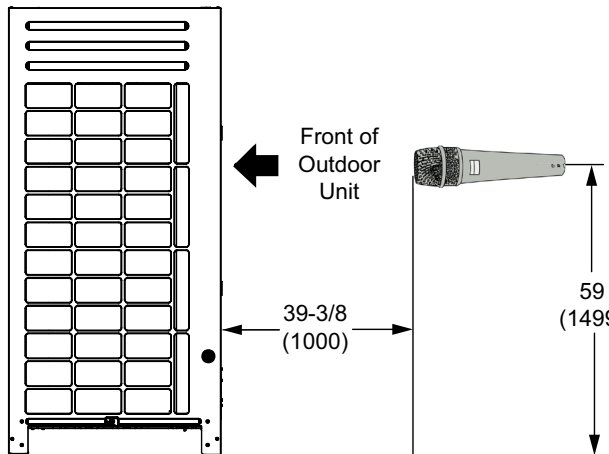
<sup>1</sup> Ratings are AHRI certified to AHRI Standard 1230-2014;

- Cooling Ratings - 80°F dry bulb/67°F wet bulb entering indoor coil air and 95°F dry bulb/75°F wet bulb outdoor air temperature.
- High Temperature Heating Ratings - 70°F dry bulb/60°F wet bulb entering indoor coil air and 47°F dry bulb/43°F wet bulb outdoor air temperature.
- Low Temperature Heating Ratings - 70°F dry bulb/60°F wet bulb entering indoor coil air and 17°F dry bulb/15°F wet bulb outdoor air temperature.

<sup>2</sup> SCHE - Simultaneous Heating and Cooling Efficiency.

## SOUND DATA

### SOUND LEVELS



#### NOTES:

- Data is valid at free field condition
- Data is valid at nominal operating condition
- Sound level will vary depending on a range of factors such as the construction (acoustic absorption coefficient) of particular room in which the equipment is installed
- Sound level can be increased in static pressure mode or used air guide.

Model	Sound Pressure Levels (dBA)	
	95°F Full Capacity	25°F Heating
072	59	67
096	59	67
120	60	68
144	63	70
168	62	70
192	62	70
216	63	71
240	63	71
264	65	72
288	66	72
312	64	72
336	64	72

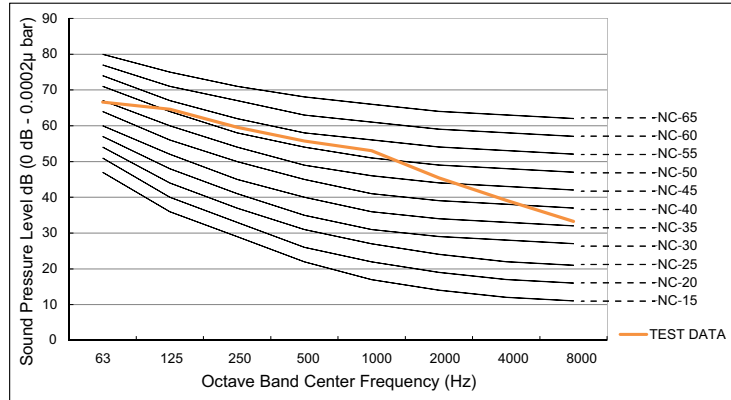


# SOUND DATA

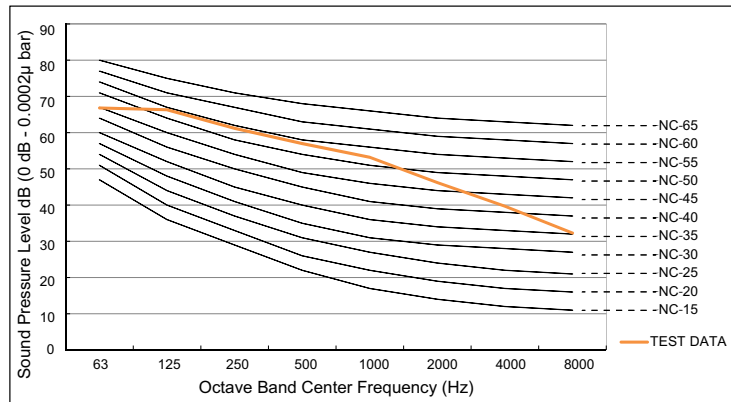
## OCTAVE BAND SOUND DATA

(Tested At 95°F Outdoor Air Temperature At Full Capacity)

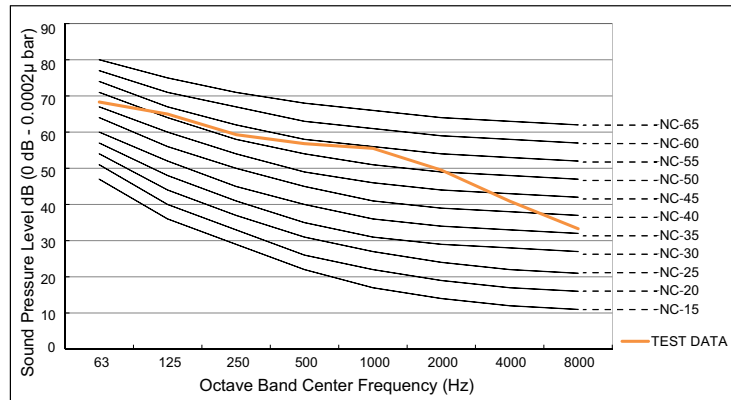
### VRA072L4



### VRA096L4



### VRA120L4

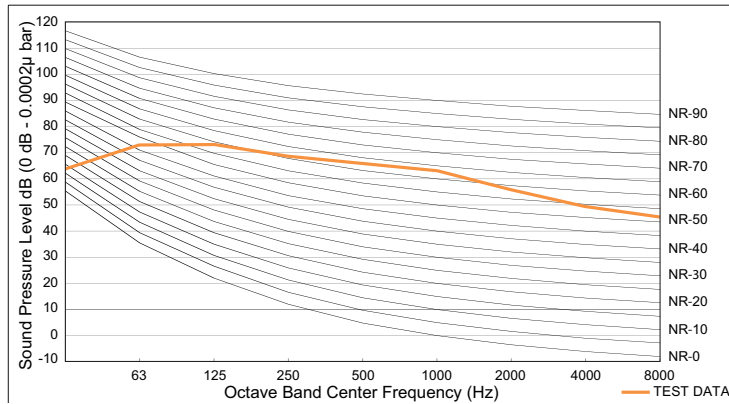


# SOUND DATA

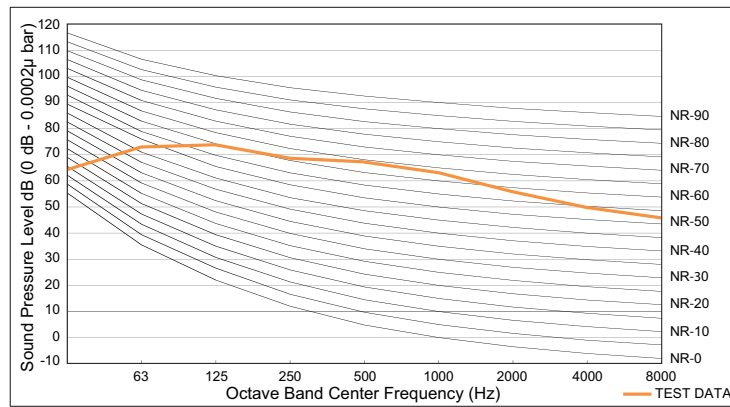
## OCTAVE BAND SOUND DATA

(Tested At 25°F Outdoor Air Temperature At Full Heating Capacity)

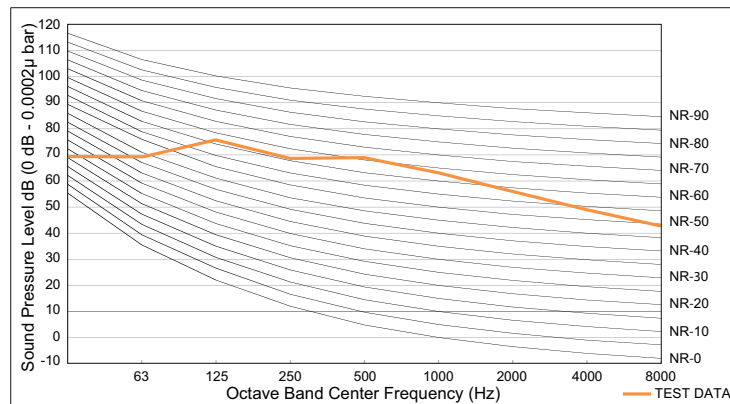
### VRA072L4 - Heating



### VRA096L4 - Heating



### VRA120L4 - Heating

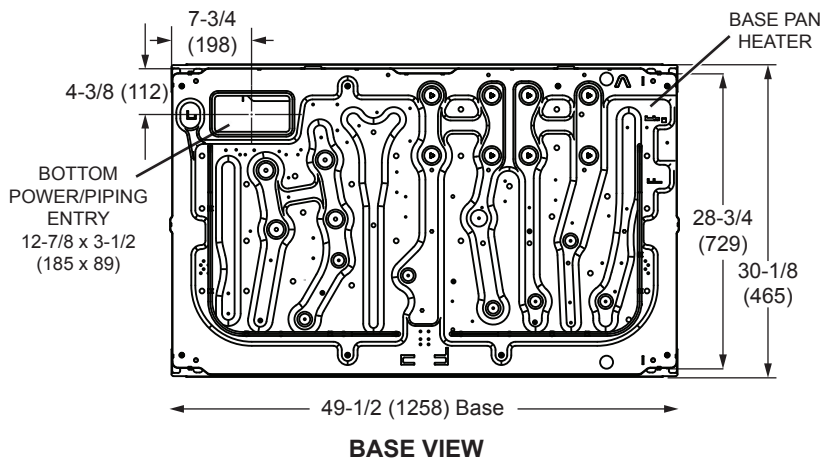
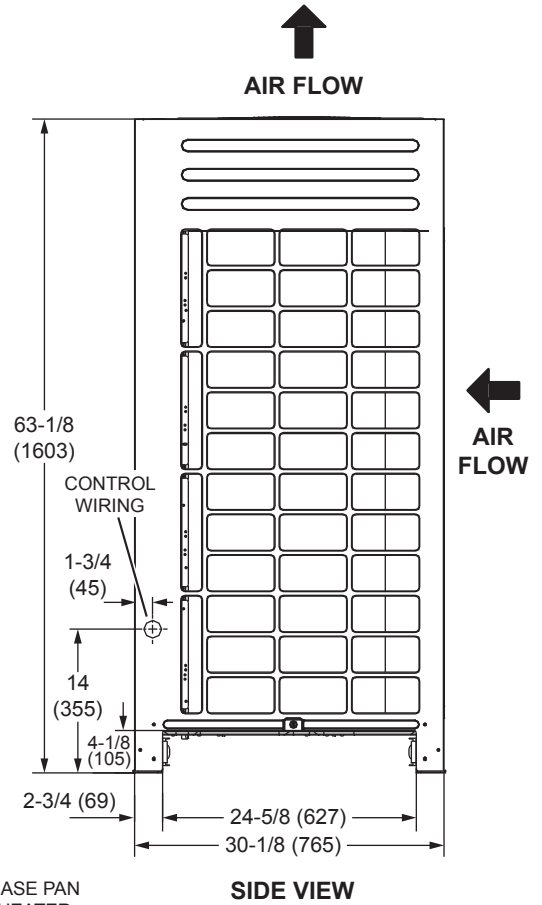
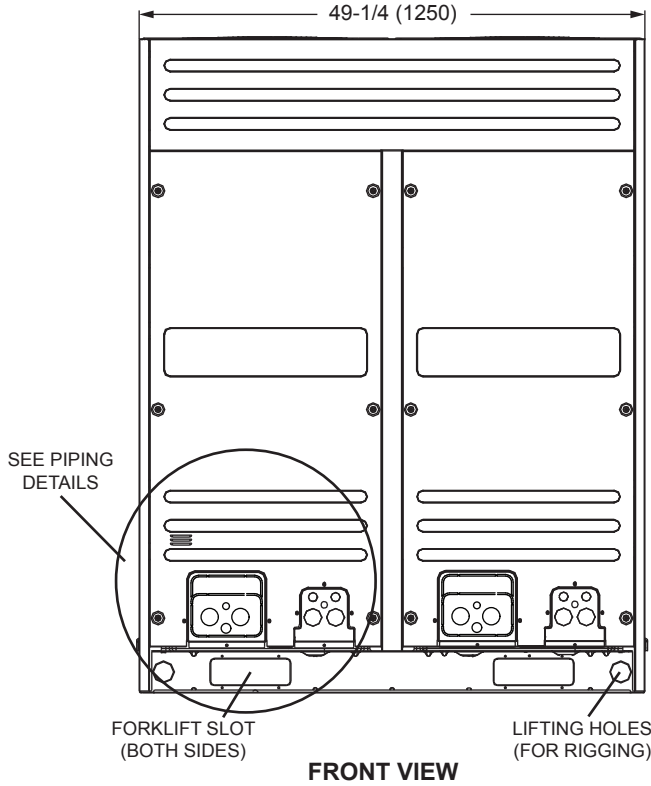
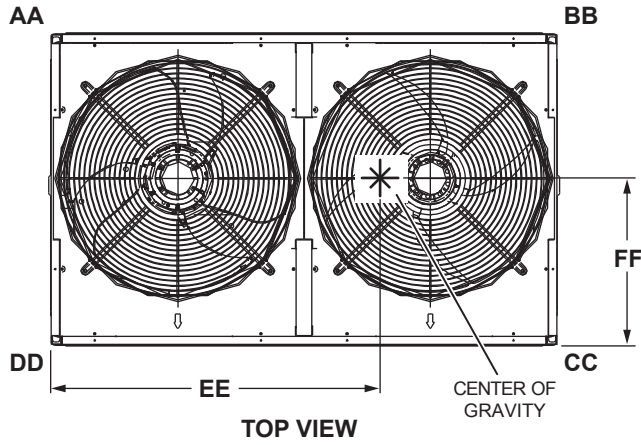


# DIMENSIONS - INCHES (MM)

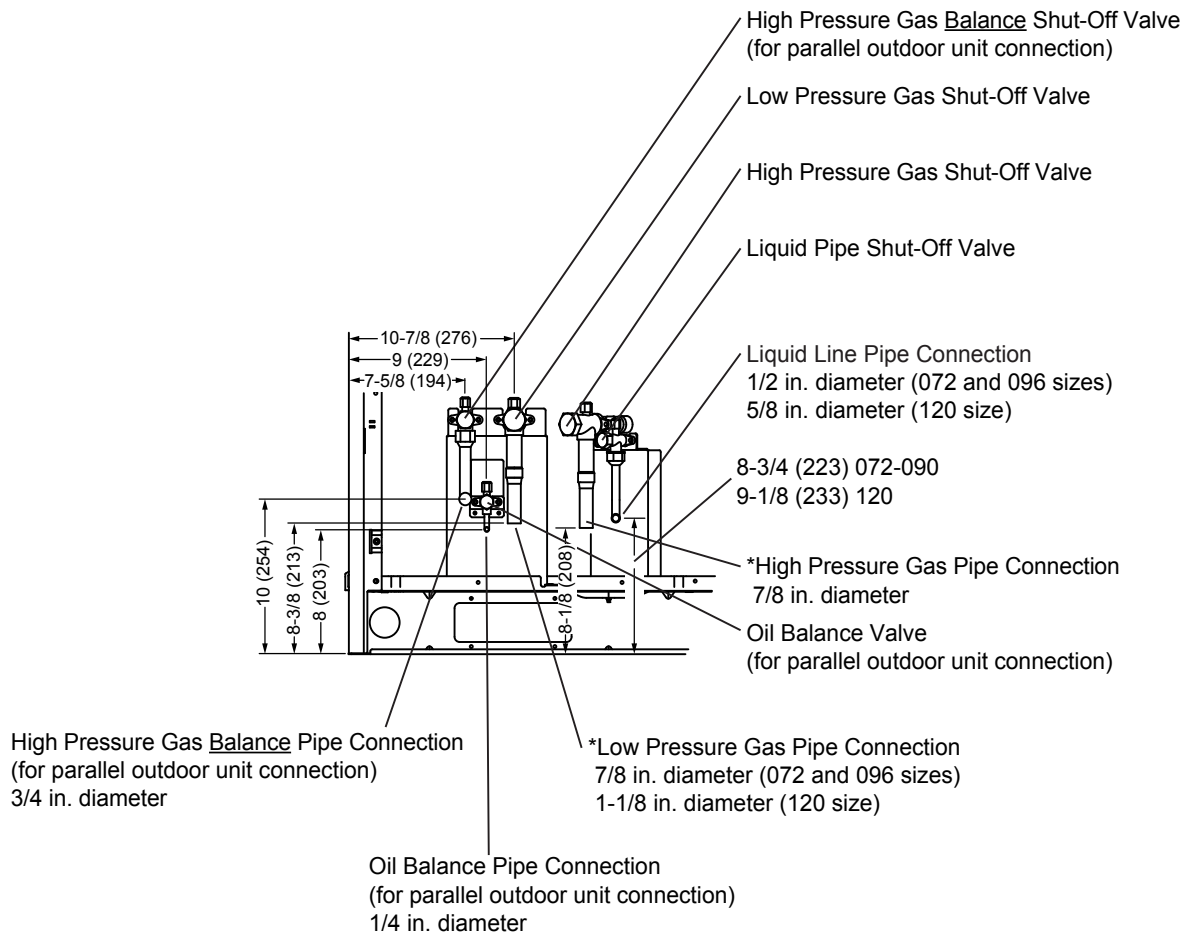
## CORNER WEIGHTS

## CENTER OF GRAVITY

Model No.	AA		BB		CC		DD		EE		FF	
	lbs.	kg	lbs.	kg	lbs.	kg	lbs.	kg	in.	mm	in.	mm
VRA072, 096, 120	165	75	187	85	222	101	198	90	26	660	13-7/8	351



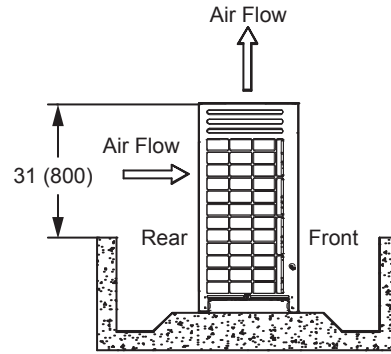
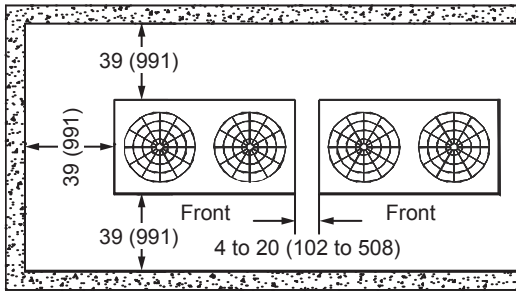
## DIMENSIONS - PIPING DETAILS - INCHES (MM)



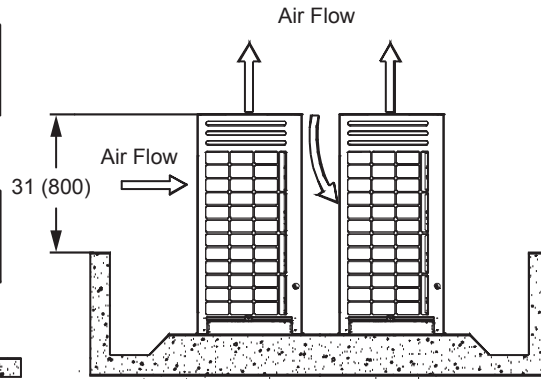
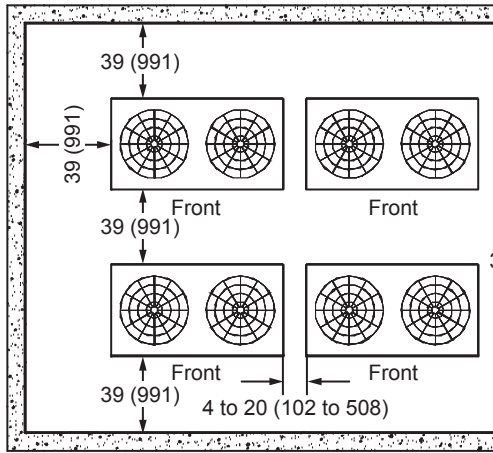
\*NOTE - Two 90° Elbows are furnished for Low Pressure and High Pressure Gas Pipe Connections from the front of the unit.

# INSTALLATION CLEARANCES - INCHES (MM)

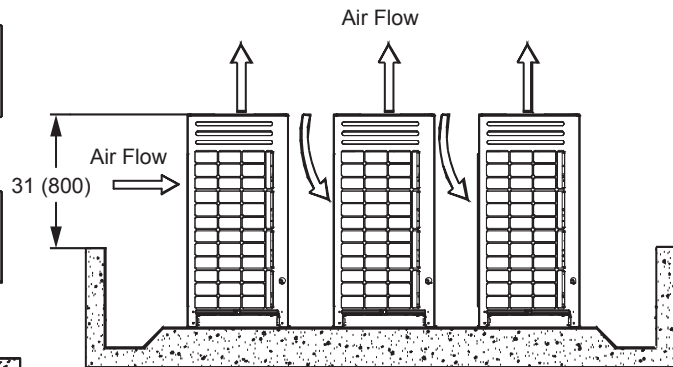
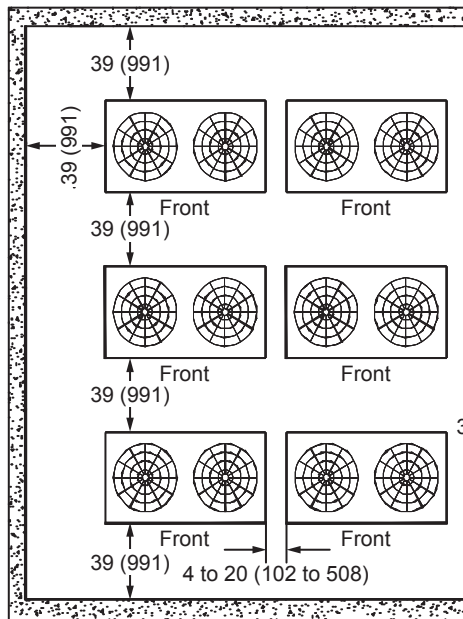
## SINGLE ROW



## TWO ROWS



## THREE OR MORE ROWS



## CAPACITY TABLES INDEX

### CAPACITY TABLES

Cooling Capacity - Single Module - VRA072L4 . . . . .	15
Heating Capacity - Single Module - VRA072L4 . . . . .	18
Cooling Capacity - Single Module - VRA096L4 . . . . .	21
Heating Capacity - Single Module - VRA096L4 . . . . .	24
Cooling Capacity - Single Module - VRA120L4 . . . . .	27
Heating Capacity - Single Module - VRA120L4 . . . . .	30
<hr/>	
Cooling Capacity - Two Module - VRA144L4. . . . .	33
Heating Capacity - Two Module - VRA144L4. . . . .	36
Cooling Capacity - Two Module - VRA168L4. . . . .	39
Heating Capacity - Two Module - VRA168L4. . . . .	42
Cooling Capacity - Two Module - VRA192L4. . . . .	45
Heating Capacity - Two Module - VRA192L4. . . . .	48
Cooling Capacity - Two Module - VRA216L4. . . . .	51
Heating Capacity - Two Module - VRA216L4. . . . .	54
Cooling Capacity - Two Module - VRA240L4. . . . .	57
Heating Capacity - Two Module - VRA240L4. . . . .	60
<hr/>	
Cooling Capacity - Three Module - VRA264L4. . . . .	63
Heating Capacity - Three Module - VRA264L4. . . . .	66
Cooling Capacity - Three Module - VRA288L4. . . . .	69
Heating Capacity - Three Module - VRA288L4. . . . .	72
Cooling Capacity - Three Module - VRA312L4. . . . .	75
Heating Capacity - Three Module - VRA312L4. . . . .	78
Cooling Capacity - Three Module - VRA336L4. . . . .	81
Heating Capacity - Three Module - VRA336L4. . . . .	84



# COOLING CAPACITY - SINGLE MODULE - VRA072L4

Combination (%)	Outdoor Temperature °F (Dry Bulb)	Indoor Temperature - °F (Dry Bulb / Wet Bulb)											
		67 / 57		71 / 60		75 / 63		80 / 67		85 / 71		90 / 75	
		Total Cap.	Power Input	Total Cap.	Power Input	Total Cap.	Power Input	Total Cap.	Power Input	Total Cap.	Power Input	Total Cap.	Power Input
		MBH	kW	MBH	kW	MBH	kW	MBH	kW	MBH	kW	MBH	kW
130%	25	58.17	2.18	67.66	2.59	77.08	3.01	89.70	3.33	97.07	3.56	99.12	3.70
	30	58.17	2.24	67.66	2.65	77.08	3.08	89.70	3.41	95.35	3.64	97.75	3.79
	35	58.17	2.29	67.66	2.72	77.08	3.16	89.70	3.50	93.87	3.73	96.26	3.88
	40	58.17	2.35	67.66	2.78	77.08	3.23	89.70	3.58	92.38	3.82	94.78	3.97
	45	58.17	2.40	67.66	2.85	77.08	3.31	88.31	3.67	90.83	3.87	93.20	4.00
	50	58.17	2.46	67.66	2.92	77.08	3.40	86.92	3.77	89.27	3.92	91.62	4.04
	55	58.17	2.52	67.66	3.00	77.08	3.48	85.36	3.86	87.71	3.95	90.06	4.12
	60	58.17	2.59	67.66	3.08	77.08	3.58	83.81	3.92	86.15	4.06	88.50	4.26
	65	58.17	2.70	67.66	3.23	77.03	3.84	81.31	4.11	83.66	4.22	86.01	4.34
	70	58.17	2.77	67.66	3.43	76.19	4.07	80.69	4.31	82.99	4.42	85.39	4.46
	75	58.17	3.04	67.66	3.78	75.17	4.37	79.06	4.58	81.46	4.64	83.85	4.69
	80	58.17	3.32	67.66	4.14	74.13	4.69	77.51	4.86	79.90	4.92	82.30	4.97
	85	58.17	3.64	67.66	4.54	73.09	5.01	75.95	5.14	78.34	5.20	80.74	5.25
	90	58.17	3.98	67.55	4.96	72.00	5.34	74.39	5.41	76.79	5.48	79.04	5.54
	95	58.17	4.33	66.58	5.28	70.53	5.63	72.83	5.69	75.09	5.76	75.61	5.78
	100	58.17	4.74	65.39	5.59	68.97	5.90	71.04	5.96	71.74	5.99	71.78	5.99
	105	58.17	5.21	64.21	5.95	67.14	6.23	67.85	6.25	67.95	6.25	67.95	6.25
	110	58.17	5.80	62.56	6.41	64.02	6.61	64.11	6.61	64.11	6.61	64.11	6.61
115	55.20	6.66	55.27	6.67	55.42	6.68	55.58	6.68	55.73	6.69	55.87	6.71	
118	47.47	6.07	47.53	6.08	47.66	6.09	47.80	6.09	47.93	6.10	48.05	6.11	
120%	25	53.76	2.01	62.46	2.37	71.17	2.74	82.80	3.27	93.84	3.49	97.89	3.62
	30	53.76	2.05	62.46	2.42	71.17	2.81	82.80	3.35	93.05	3.57	95.83	3.71
	35	53.76	2.09	62.46	2.48	71.17	2.88	82.80	3.43	91.98	3.66	94.44	3.80
	40	53.76	2.14	62.46	2.53	71.17	2.95	82.80	3.51	90.90	3.75	93.05	3.89
	45	53.76	2.19	62.46	2.60	71.17	3.02	82.80	3.60	89.34	3.79	91.52	3.92
	50	53.76	2.25	62.46	2.66	71.17	3.09	82.80	3.69	87.78	3.84	89.99	3.96
	55	53.76	2.31	62.46	2.74	71.17	3.18	82.80	3.78	86.23	3.87	88.43	4.04
	60	53.76	2.37	62.46	2.81	71.17	3.27	82.32	3.85	84.67	3.90	86.87	4.17
	65	53.76	2.47	62.46	2.93	71.17	3.44	80.19	4.03	82.18	4.14	84.38	4.25
	70	53.76	2.49	62.46	3.06	71.17	3.69	79.35	4.28	81.55	4.33	83.76	4.37
	75	53.76	2.72	62.46	3.36	71.17	4.07	77.82	4.56	79.97	4.61	82.13	4.66
	80	53.76	2.98	62.46	3.69	71.11	4.46	76.26	4.83	78.42	4.88	80.57	4.93
	85	53.76	3.25	62.46	4.04	70.50	4.81	74.70	5.11	76.86	5.16	79.01	5.21
	90	53.76	3.55	62.46	4.42	69.46	5.13	73.14	5.38	75.30	5.44	77.46	5.50
	95	53.76	3.87	62.46	4.83	68.43	5.45	71.59	5.66	73.74	5.72	75.61	5.78
	100	53.76	4.22	62.46	5.27	67.39	5.80	70.03	5.93	71.56	5.98	71.78	5.99
	105	53.76	4.63	62.22	5.76	66.23	6.19	67.75	6.25	67.95	6.25	67.95	6.25
	110	53.76	5.16	61.17	6.24	63.89	6.60	64.11	6.61	64.11	6.61	64.11	6.61
115	53.76	5.75	54.91	6.44	55.42	6.68	55.58	6.68	55.73	6.69	55.87	6.71	
118	47.47	5.39	47.53	5.91	47.66	6.09	47.80	6.09	47.93	6.10	48.05	6.11	
110%	25	49.26	1.83	57.24	2.15	65.26	2.48	75.90	2.95	86.54	3.44	96.16	3.57
	30	49.26	1.86	57.24	2.20	65.26	2.54	75.90	3.03	86.54	3.52	94.59	3.66
	35	49.26	1.91	57.24	2.25	65.26	2.60	75.90	3.10	86.54	3.61	93.01	3.75
	40	49.26	1.95	57.24	2.30	65.26	2.67	75.90	3.17	86.54	3.69	91.43	3.84
	45	49.26	1.99	57.24	2.36	65.26	2.73	75.90	3.25	85.94	3.74	89.89	3.87
	50	49.26	2.04	57.24	2.42	65.26	2.80	75.90	3.33	85.34	3.78	88.36	3.90
	55	49.26	2.10	57.24	2.48	65.26	2.87	75.90	3.43	84.49	3.82	86.71	3.98
	60	49.26	2.15	57.24	2.54	65.26	2.95	75.90	3.52	83.18	3.84	85.15	4.11
	65	49.26	2.24	57.24	2.66	65.26	3.08	75.90	3.75	80.69	4.07	82.66	4.22
	70	49.26	2.26	57.24	2.72	65.26	3.25	75.90	4.05	80.07	4.30	82.03	4.35
	75	49.26	2.42	57.24	2.98	65.26	3.57	75.90	4.47	78.54	4.58	80.50	4.62
	80	49.26	2.64	57.24	3.26	65.26	3.92	75.01	4.80	76.98	4.85	78.94	4.90
	85	49.26	2.89	57.24	3.57	65.26	4.30	73.41	5.08	75.42	5.12	77.39	5.17
	90	49.26	3.15	57.24	3.90	65.26	4.71	71.80	5.34	73.86	5.40	75.83	5.45
	95	49.26	3.43	57.24	4.25	65.26	5.14	70.25	5.62	72.26	5.68	74.27	5.74
	100	49.26	3.73	57.24	4.64	64.80	5.54	68.69	5.90	70.61	5.96	71.78	5.99
	105	49.26	4.10	57.24	5.10	63.75	5.93	67.18	6.23	67.91	6.25	67.95	6.25
	110	49.26	4.56	57.24	5.69	62.64	6.43	64.11	6.61	64.11	6.61	64.11	6.61
115	49.26	5.08	53.79	6.27	55.42	6.68	55.58	6.68	55.73	6.69	55.87	6.71	
118	47.47	5.18	47.53	5.87	47.66	6.09	47.80	6.09	47.93	6.10	48.05	6.11	

NOTE - Power Input = Compressor + Outdoor Fan Motor.  
 MBH = 1000 BTUs per hour.

## COOLING CAPACITY - SINGLE MODULE - VRA072L4

Combination (%)	Outdoor Temperature °F (Dry Bulb)	Indoor Temperature - °F (Dry Bulb / Wet Bulb)											
		67 / 57		71 / 60		75 / 63		80 / 67		85 / 71		90 / 75	
		Total Cap.	Power Input	Total Cap.	Power Input	Total Cap.	Power Input	Total Cap.	Power Input	Total Cap.	Power Input	Total Cap.	Power Input
		MBH	kW	MBH	kW	MBH	kW	MBH	kW	MBH	kW	MBH	kW
100%	25	44.75	1.66	52.01	1.94	59.29	2.23	69.00	2.64	78.68	3.08	88.36	3.52
	30	44.75	1.69	52.01	1.98	59.29	2.28	69.00	2.70	78.68	3.15	88.36	3.61
	35	44.75	1.73	52.01	2.03	59.29	2.34	69.00	2.77	78.68	3.23	88.36	3.69
	40	44.75	1.77	52.01	2.07	59.29	2.40	69.00	2.84	78.68	3.30	88.36	3.78
	45	44.75	1.80	52.01	2.12	59.29	2.46	69.00	2.91	78.68	3.39	87.50	3.81
	50	44.75	1.84	52.01	2.17	59.29	2.51	69.00	2.99	78.68	3.48	86.63	3.84
	55	44.75	1.89	52.01	2.23	59.29	2.58	69.00	3.07	78.68	3.57	85.08	3.92
	60	44.75	1.93	52.01	2.28	59.29	2.65	69.00	3.15	78.68	3.66	83.52	4.05
	65	44.75	2.02	52.01	2.38	59.29	2.77	69.00	3.29	78.39	3.92	81.03	4.16
	70	44.75	2.04	52.01	2.41	59.29	2.84	69.00	3.52	77.67	4.19	80.40	4.31
	75	44.75	2.14	52.01	2.61	59.29	3.12	69.00	3.88	76.91	4.53	78.87	4.58
	80	44.75	2.34	52.01	2.86	59.29	3.42	69.00	4.25	75.49	4.81	77.31	4.86
	85	44.75	2.54	52.01	3.12	59.29	3.74	69.00	4.67	73.94	5.09	75.76	5.13
	90	44.75	2.77	52.01	3.41	59.29	4.09	69.00	5.11	72.38	5.36	74.20	5.41
	95	44.75	3.01	52.01	3.71	59.29	4.47	69.00	5.58	70.82	5.63	72.64	5.69
	100	44.75	3.28	52.01	4.04	59.29	4.88	67.44	5.86	69.26	5.91	70.92	5.96
	105	44.75	3.59	52.01	4.44	59.29	5.36	65.87	6.19	67.47	6.24	67.95	6.25
	110	44.75	4.00	52.01	4.95	59.29	5.99	64.11	6.61	64.11	6.61	64.11	6.61
115	44.75	4.43	52.01	5.51	55.14	6.41	55.58	6.68	55.73	6.69	55.87	6.71	
118	44.75	4.70	45.77	5.14	47.66	5.87	47.80	6.09	47.93	6.10	48.05	6.11	
90%	25	40.25	1.49	46.79	1.74	53.38	1.99	62.10	2.36	70.82	2.72	79.54	3.12
	30	40.25	1.52	46.79	1.77	53.38	2.03	62.10	2.41	70.82	2.79	79.54	3.19
	35	40.25	1.55	46.79	1.81	53.38	2.08	62.10	2.46	70.82	2.86	79.54	3.27
	40	40.25	1.58	46.79	1.85	53.38	2.13	62.10	2.52	70.82	2.93	79.54	3.35
	45	40.25	1.62	46.79	1.90	53.38	2.18	62.10	2.58	70.82	3.00	79.54	3.43
	50	40.25	1.65	46.79	1.94	53.38	2.24	62.10	2.64	70.82	3.07	79.54	3.52
	55	40.25	1.69	46.79	1.99	53.38	2.29	62.10	2.72	70.82	3.16	79.54	3.61
	60	40.25	1.73	46.79	2.04	53.38	2.35	62.10	2.78	70.82	3.24	79.54	3.71
	65	40.25	1.81	46.79	2.12	53.38	2.45	62.10	2.91	70.82	3.41	79.54	4.01
	70	40.25	1.82	46.79	2.14	53.38	2.48	62.10	3.03	70.82	3.66	78.78	4.27
	75	40.25	1.88	46.79	2.27	53.38	2.69	62.10	3.32	70.82	4.03	77.24	4.54
	80	40.25	2.05	46.79	2.48	53.38	2.95	62.10	3.65	70.82	4.42	75.68	4.82
	85	40.25	2.22	46.79	2.70	53.38	3.23	62.10	3.99	70.63	4.83	74.13	5.09
	90	40.25	2.42	46.79	2.95	53.38	3.53	62.10	4.37	69.97	5.20	72.57	5.37
	95	40.25	2.63	46.79	3.21	53.38	3.84	62.10	4.77	69.19	5.57	71.01	5.64
	100	40.25	2.85	46.79	3.49	53.38	4.19	62.10	5.20	67.78	5.87	69.46	5.92
	105	40.25	3.12	46.79	3.84	53.38	4.60	62.10	5.73	66.24	6.19	67.63	6.24
	110	40.25	3.47	46.79	4.27	53.38	5.12	62.10	6.40	64.11	6.61	64.11	6.61
115	40.25	3.84	46.79	4.74	53.32	6.13	55.58	6.68	55.73	6.69	55.87	6.71	
118	40.25	4.07	45.77	4.91	46.38	5.66	47.80	6.09	47.93	6.10	48.05	6.11	
80%	25	35.84	1.33	41.66	1.54	47.44	1.76	55.20	2.07	62.96	2.39	70.73	2.72
	30	35.84	1.36	41.66	1.57	47.44	1.79	55.20	2.11	62.96	2.44	70.73	2.78
	35	35.84	1.38	41.66	1.61	47.44	1.83	55.20	2.16	62.96	2.50	70.73	2.85
	40	35.84	1.41	41.66	1.64	47.44	1.87	55.20	2.21	62.96	2.56	70.73	2.91
	45	35.84	1.44	41.66	1.67	47.44	1.92	55.20	2.27	62.96	2.62	70.73	2.99
	50	35.84	1.47	41.66	1.71	47.44	1.96	55.20	2.32	62.96	2.69	70.73	3.07
	55	35.84	1.50	41.66	1.75	47.44	2.01	55.20	2.37	62.96	2.76	70.73	3.15
	60	35.84	1.54	41.66	1.80	47.44	2.06	55.20	2.43	62.96	2.83	70.73	3.24
	65	35.84	1.60	41.66	1.87	47.44	2.14	55.20	2.54	62.96	2.95	70.73	3.40
	70	35.84	1.62	41.66	1.89	47.44	2.17	55.20	2.57	62.96	3.09	70.73	3.64
	75	35.84	1.65	41.66	1.96	47.44	2.30	55.20	2.82	62.96	3.40	70.73	4.01
	80	35.84	1.77	41.66	2.13	47.44	2.52	55.20	3.09	62.96	3.72	70.73	4.42
	85	35.84	1.93	41.66	2.32	47.44	2.75	55.20	3.38	62.96	4.07	70.73	4.84
	90	35.84	2.09	41.66	2.53	47.44	3.00	55.20	3.69	62.96	4.46	70.58	5.28
	95	35.84	2.27	41.66	2.75	47.44	3.27	55.20	4.03	62.96	4.87	69.29	5.59
	100	35.84	2.46	41.66	2.99	47.44	3.55	55.20	4.39	62.96	5.32	67.73	5.86
	105	35.84	2.69	41.66	3.27	47.44	3.90	55.20	4.82	62.93	5.85	66.22	6.20
	110	35.84	2.98	41.66	3.63	47.44	4.34	55.20	5.37	62.29	6.41	64.11	6.61
115	35.84	3.30	41.66	4.03	47.44	4.82	55.20	5.98	55.73	6.69	55.87	6.71	
118	35.84	3.49	41.66	4.27	46.38	4.99	47.80	5.49	47.93	6.10	48.05	6.11	

NOTE - Power Input = Compressor + Outdoor Fan Motor.  
MBH = 1000 BTUs per hour.

## COOLING CAPACITY - SINGLE MODULE - VRA072L4

Combination (%)	Outdoor Temperature °F (Dry Bulb)	Indoor Temperature - °F (Dry Bulb / Wet Bulb)											
		67 / 57		71 / 60		75 / 63		80 / 67		85 / 71		90 / 75	
		Total Cap.	Power Input	Total Cap.	Power Input	Total Cap.	Power Input	Total Cap.	Power Input	Total Cap.	Power Input	Total Cap.	Power Input
		MBH	kW	MBH	kW	MBH	kW	MBH	kW	MBH	kW	MBH	kW
70%	25	31.34	1.18	36.44	1.35	41.53	1.53	48.30	1.79	55.06	2.06	61.91	2.34
	30	31.34	1.20	36.44	1.37	41.53	1.56	48.30	1.83	55.06	2.11	61.91	2.40
	35	31.34	1.22	36.44	1.40	41.53	1.60	48.30	1.87	55.06	2.15	61.91	2.45
	40	31.34	1.25	36.44	1.43	41.53	1.63	48.30	1.91	55.06	2.20	61.91	2.51
	45	31.34	1.27	36.44	1.47	41.53	1.67	48.30	1.96	55.06	2.26	61.91	2.57
	50	31.34	1.30	36.44	1.50	41.53	1.71	48.30	2.00	55.06	2.32	61.91	2.63
	55	31.34	1.33	36.44	1.53	41.53	1.75	48.30	2.05	55.06	2.37	61.91	2.70
	60	31.34	1.35	36.44	1.57	41.53	1.79	48.30	2.10	55.06	2.43	61.91	2.77
	65	31.34	1.39	36.44	1.62	41.53	1.86	48.30	2.20	55.06	2.53	61.91	2.90
	70	31.34	1.42	36.44	1.64	41.53	1.88	48.30	2.21	55.06	2.57	61.91	3.01
	75	31.34	1.44	36.44	1.69	41.53	1.95	48.30	2.36	55.06	2.81	61.91	3.31
	80	31.34	1.52	36.44	1.81	41.53	2.12	48.30	2.58	55.06	3.08	61.91	3.62
	85	31.34	1.65	36.44	1.97	41.53	2.32	48.30	2.82	55.06	3.37	61.91	3.97
	90	31.34	1.79	36.44	2.14	41.53	2.52	48.30	3.07	55.06	3.68	61.91	4.34
	95	31.34	1.94	36.44	2.32	41.53	2.73	48.30	3.33	55.06	4.01	61.91	4.74
	100	31.34	2.10	36.44	2.52	41.53	2.97	48.30	3.63	55.06	4.37	61.91	5.18
	105	31.34	2.29	36.44	2.75	41.53	3.25	48.30	3.99	55.06	4.81	61.91	5.70
	110	31.34	2.53	36.44	3.05	41.53	3.61	48.30	4.43	55.06	5.35	61.91	6.36
115	31.34	2.79	36.44	3.37	41.53	4.01	48.30	4.93	54.58	6.19	55.87	6.71	
118	31.34	2.96	36.44	3.58	41.53	4.25	43.47	4.70	47.93	5.76	48.05	6.11	
60%	25	26.83	1.03	31.22	1.17	35.55	1.32	41.40	1.53	47.25	1.75	53.00	1.98
	30	26.83	1.05	31.22	1.20	35.55	1.35	41.40	1.56	47.25	1.78	53.00	2.01
	35	26.83	1.07	31.22	1.22	35.55	1.37	41.40	1.59	47.25	1.82	53.00	2.06
	40	26.83	1.09	31.22	1.24	35.55	1.40	41.40	1.63	47.25	1.86	53.00	2.11
	45	26.83	1.11	31.22	1.27	35.55	1.43	41.40	1.67	47.25	1.91	53.00	2.16
	50	26.83	1.14	31.22	1.29	35.55	1.46	41.40	1.70	47.25	1.95	53.00	2.21
	55	26.83	1.15	31.22	1.32	35.55	1.49	41.40	1.74	47.25	2.00	53.00	2.27
	60	26.83	1.17	31.22	1.35	35.55	1.53	41.40	1.78	47.25	2.05	53.00	2.33
	65	26.83	1.22	31.22	1.40	35.55	1.58	41.40	1.86	47.25	2.13	53.00	2.43
	70	26.83	1.22	31.22	1.41	35.55	1.60	41.40	1.88	47.25	2.16	53.00	2.46
	75	26.83	1.26	31.22	1.44	35.55	1.65	41.40	1.94	47.25	2.29	53.00	2.67
	80	26.83	1.29	31.22	1.52	35.55	1.76	41.40	2.11	47.25	2.50	53.00	2.92
	85	26.83	1.40	31.22	1.65	35.55	1.92	41.40	2.30	47.25	2.73	53.00	3.20
	90	26.83	1.52	31.22	1.79	35.55	2.08	41.40	2.50	47.25	2.97	53.00	3.49
	95	26.83	1.63	31.22	1.94	35.55	2.26	41.40	2.72	47.25	3.24	53.00	3.80
	100	26.83	1.77	31.22	2.10	35.55	2.44	41.40	2.95	47.25	3.52	53.00	4.14
	105	26.83	1.92	31.22	2.29	35.55	2.67	41.40	3.24	47.25	3.87	53.00	4.55
	110	26.83	2.12	31.22	2.52	35.55	2.96	41.40	3.59	47.25	4.30	53.00	5.06
115	26.83	2.33	31.22	2.79	35.55	3.28	41.40	3.99	47.25	4.78	53.00	5.64	
118	26.83	2.47	31.22	2.95	35.55	3.47	41.40	4.23	43.47	4.66	48.05	5.42	
50%	25	22.33	0.88	25.99	1.00	29.58	1.11	34.50	1.27	39.44	1.44	44.08	1.61
	30	22.33	0.90	25.99	1.02	29.58	1.13	34.50	1.28	39.44	1.46	44.08	1.63
	35	22.33	0.91	25.99	1.04	29.58	1.15	34.50	1.32	39.44	1.50	44.08	1.67
	40	22.33	0.93	25.99	1.06	29.58	1.17	34.50	1.35	39.44	1.53	44.08	1.72
	45	22.33	0.95	25.99	1.07	29.58	1.19	34.50	1.38	39.44	1.56	44.08	1.75
	50	22.33	0.98	25.99	1.09	29.58	1.21	34.50	1.41	39.44	1.59	44.08	1.79
	55	22.33	0.98	25.99	1.11	29.58	1.24	34.50	1.43	39.44	1.64	44.08	1.84
	60	22.33	0.99	25.99	1.13	29.58	1.27	34.50	1.47	39.44	1.67	44.08	1.90
	65	22.33	1.06	25.99	1.17	29.58	1.31	34.50	1.52	39.44	1.73	44.08	1.97
	70	22.33	1.02	25.99	1.17	29.58	1.32	34.50	1.54	39.44	1.75	44.08	1.90
	75	22.33	1.07	25.99	1.20	29.58	1.35	34.50	1.52	39.44	1.77	44.08	2.03
	80	22.33	1.07	25.99	1.23	29.58	1.40	34.50	1.65	39.44	1.93	44.08	2.22
	85	22.33	1.15	25.99	1.33	29.58	1.52	34.50	1.79	39.44	2.09	44.08	2.43
	90	22.33	1.25	25.99	1.44	29.58	1.64	34.50	1.94	39.44	2.27	44.08	2.63
	95	22.33	1.32	25.99	1.55	29.58	1.79	34.50	2.10	39.44	2.46	44.08	2.86
	100	22.33	1.44	25.99	1.67	29.58	1.92	34.50	2.27	39.44	2.67	44.08	3.09
	105	22.33	1.56	25.99	1.82	29.58	2.10	34.50	2.49	39.44	2.92	44.08	3.39
	110	22.33	1.72	25.99	1.99	29.58	2.31	34.50	2.75	39.44	3.24	44.08	3.77
115	22.33	1.88	25.99	2.20	29.58	2.55	34.50	3.05	39.44	3.36	44.08	4.58	
118	22.33	1.99	25.99	2.33	29.58	2.70	34.50	3.23	39.44	3.57	44.08	4.86	

NOTE - Power Input = Compressor + Outdoor Fan Motor.  
MBH = 1000 BTUs per hour.

# HEATING CAPACITY - SINGLE MODULE - VRA072L4

Combination (%)	Outdoor Temperature (°F)		Indoor Temperature - °F Dry Bulb											
			61		64		67		70		73		75	
	Dry Bulb	Wet Bulb	Total Cap. MBH	Power Input kW	Total Cap. MBH	Power Input kW	Total Cap. MBH	Power Input kW	Total Cap. MBH	Power Input kW	Total Cap. MBH	Power Input kW	Total Cap. MBH	Power Input kW
130%	-13	-13	58.86	12.52	58.73	12.63	58.58	12.73	58.44	12.84	58.30	12.93	58.19	12.98
	-8	-9	63.09	13.05	62.95	13.15	62.79	13.24	62.64	13.34	62.49	13.42	62.37	13.47
	-3	-4	67.24	13.33	67.10	13.42	66.92	13.50	66.76	13.58	66.60	13.65	66.47	13.69
	2	1	71.17	13.37	71.02	13.44	70.84	13.51	70.68	13.57	70.51	13.63	70.38	13.67
	7	6	75.24	13.09	75.09	13.14	74.90	13.19	74.73	13.23	74.57	13.27	74.46	13.30
	12	10	78.09	12.63	77.94	12.66	77.75	12.68	77.57	12.71	77.41	12.73	77.29	12.75
	17	15	78.99	11.83	78.83	11.83	78.65	11.84	78.48	11.84	78.31	11.84	78.18	11.85
	22	20	80.50	10.99	80.35	11.00	80.17	11.00	80.01	11.00	79.84	11.00	79.71	11.01
	27	24	81.85	10.11	81.70	10.11	81.52	10.11	81.36	10.11	81.20	10.12	81.07	10.12
	32	29	84.40	8.94	84.22	8.94	84.07	8.94	83.92	8.94	83.76	8.95	83.64	8.95
	37	34	75.74	7.52	75.56	7.52	75.44	7.52	75.33	7.53	75.17	7.53	75.09	7.53
	42	38	82.39	6.44	82.20	6.44	82.08	6.45	80.04	6.45	79.40	6.45	78.35	6.45
	47	43	89.87	5.59	87.83	5.59	85.79	5.59	83.75	5.59	81.72	5.59	80.36	5.59
	52	47	93.16	5.45	91.12	5.45	89.09	5.45	87.05	5.45	85.01	5.45	83.65	5.45
	57	52	97.28	5.28	95.24	5.28	93.20	5.28	91.17	5.28	89.13	5.28	87.77	5.28
	62	56	100.57	5.14	98.53	5.14	96.50	5.14	94.46	5.14	92.42	5.14	88.46	4.90
	67	61	104.69	4.97	102.65	4.97	100.61	4.97	98.58	4.97	93.12	4.68	88.46	4.41
	72	66	108.81	4.79	106.77	4.80	104.73	4.80	100.10	4.60	93.12	4.22	88.46	3.98
75	69	111.28	4.69	109.24	4.69	107.20	4.69	101.01	4.37	93.12	3.95	88.46	3.72	
120%	-13	-13	58.61	12.70	58.48	12.80	58.38	12.89	58.27	12.99	58.09	13.06	58.02	13.12
	-8	-9	62.82	13.21	62.68	13.30	62.58	13.38	62.46	13.47	62.27	13.53	62.19	13.58
	-3	-4	66.95	13.47	66.81	13.55	66.70	13.61	66.57	13.68	66.37	13.73	66.28	13.77
	2	1	70.87	13.48	70.73	13.55	70.61	13.60	70.48	13.64	70.31	13.69	70.18	13.72
	7	6	74.97	13.17	74.82	13.22	74.67	13.25	74.52	13.28	74.35	13.31	74.22	13.34
	12	10	77.81	12.68	77.66	12.70	77.52	12.72	77.37	12.73	77.19	12.76	77.06	12.76
	17	15	78.78	11.84	78.55	11.84	78.41	11.84	78.28	11.84	78.11	11.85	77.97	11.85
	22	20	80.20	11.00	80.06	11.00	79.94	11.00	79.81	11.00	79.64	11.01	79.51	11.01
	27	24	81.56	10.11	81.41	10.11	81.30	10.11	81.17	10.12	80.96	10.12	80.88	10.12
	32	29	84.11	8.94	83.97	8.94	83.83	8.94	83.69	8.95	83.32	8.95	82.76	8.95
	37	34	75.49	7.52	75.37	7.52	75.22	7.53	75.09	7.53	71.50	7.53	69.58	7.53
	42	38	78.82	6.45	78.69	6.45	78.55	6.45	77.78	6.45	75.89	6.45	73.64	6.45
	47	43	87.15	5.59	85.27	5.59	83.39	5.59	81.51	5.59	79.63	5.59	78.37	5.59
	52	47	90.44	5.45	88.56	5.45	86.68	5.45	84.80	5.45	82.92	5.45	81.66	5.45
	57	52	94.56	5.28	92.68	5.28	90.80	5.28	88.92	5.28	85.95	5.17	81.66	4.87
	62	56	97.85	5.14	95.97	5.14	94.09	5.14	92.21	5.14	85.95	4.74	81.66	4.46
	67	61	101.97	4.97	100.09	4.97	98.21	4.97	92.40	4.64	85.95	4.26	81.66	4.02
	72	66	106.09	4.80	104.21	4.80	98.85	4.53	92.40	4.18	85.95	3.85	81.66	3.63
75	69	108.56	4.69	106.68	4.69	99.23	4.26	92.40	3.91	85.95	3.60	81.66	3.40	
110%	-13	-13	58.38	12.89	58.30	12.95	58.16	13.01	58.02	13.11	57.91	13.16	57.85	13.20
	-8	-9	62.58	13.38	62.49	13.43	62.34	13.49	62.19	13.57	62.07	13.63	62.01	13.67
	-3	-4	66.70	13.60	66.60	13.66	66.44	13.70	66.28	13.77	66.15	13.82	66.09	13.86
	2	1	70.68	13.59	70.53	13.64	70.34	13.67	70.18	13.72	70.08	13.77	69.98	13.80
	7	6	74.73	13.24	74.57	13.28	74.41	13.30	74.25	13.33	74.15	13.37	74.01	13.40
	12	10	77.57	12.72	77.42	12.74	77.25	12.75	77.09	12.76	76.94	12.78	74.85	12.80
	17	15	80.00	11.84	79.85	11.84	79.66	11.84	78.07	11.85	77.52	11.85	74.85	11.85
	22	20	82.38	11.00	82.23	11.00	82.04	11.01	79.51	11.01	78.59	11.01	74.85	11.01
	27	24	84.57	10.11	83.64	10.11	83.47	10.12	80.88	10.12	79.41	10.12	74.85	10.12
	32	29	86.42	8.94	85.41	8.95	85.26	8.95	83.10	8.95	80.01	8.95	74.85	8.95
	37	34	76.00	7.53	75.88	7.53	75.32	7.53	72.56	7.53	68.55	7.53	65.88	7.53
	42	38	81.39	6.45	80.81	6.45	79.35	6.45	75.52	6.45	73.42	6.45	70.92	6.45
	47	43	86.29	5.59	84.39	5.59	81.80	5.59	79.26	5.59	77.54	5.59	74.85	5.40
	52	47	89.48	5.45	87.29	5.45	84.70	5.45	82.56	5.45	78.79	5.22	74.85	4.92
	57	52	92.76	5.28	90.12	5.28	88.40	5.28	84.70	5.08	78.79	4.67	74.85	4.40
	62	56	95.61	5.14	93.42	5.14	90.61	5.04	84.70	4.65	78.79	4.28	74.85	4.04
	67	61	99.26	4.97	96.52	4.88	90.61	4.53	84.70	4.19	78.79	3.86	74.85	3.64
	72	66	102.43	4.72	96.52	4.40	90.61	4.09	84.70	3.79	78.79	3.49	74.85	3.30
75	69	104.33	4.58	96.52	4.11	90.61	3.83	84.70	3.54	78.79	3.27	74.85	3.09	

NOTE - Power Input = Compressor + Outdoor Fan Motor.  
 MBH = 1000 BTUs per hour.

# HEATING CAPACITY - SINGLE MODULE - VRA072L4

Combination (%)	Outdoor Temperature (°F)		Indoor Temperature - °F Dry Bulb											
			61		64		67		70		73		75	
	Dry Bulb	Wet Bulb	Total Cap. MBH	Power Input kW	Total Cap. MBH	Power Input kW	Total Cap. MBH	Power Input kW	Total Cap. MBH	Power Input kW	Total Cap. MBH	Power Input kW	Total Cap. MBH	Power Input kW
100%	-13	-13	58.19	13.02	58.06	13.09	57.96	13.14	57.85	13.22	57.74	13.57	57.68	16.14
	-8	-9	62.37	13.50	62.23	13.56	62.13	13.60	62.01	13.67	61.89	14.03	61.83	16.17
	-3	-4	66.47	13.71	66.33	13.76	66.22	13.80	66.09	13.85	65.96	14.21	65.90	15.87
	2	1	70.38	13.67	70.23	13.71	70.11	13.74	69.98	13.78	69.85	14.14	68.05	15.30
	7	6	74.42	13.30	74.27	13.33	74.15	13.35	74.01	13.38	71.63	13.71	68.05	14.36
	12	10	77.26	12.75	77.11	12.76	76.99	12.77	76.85	12.79	71.63	13.02	68.05	13.29
	17	15	80.47	11.84	80.31	11.85	79.79	11.85	77.00	11.85	71.63	11.85	68.05	11.85
	22	20	81.29	11.00	81.13	11.01	81.02	11.01	77.00	11.01	71.63	11.01	68.05	11.01
	27	24	82.27	10.12	82.13	10.12	81.65	10.12	77.00	10.12	71.63	10.12	68.05	10.12
	32	29	85.31	8.95	84.73	8.95	82.48	8.95	77.00	8.95	71.63	8.95	68.05	8.95
	37	34	79.98	7.53	77.60	7.53	74.21	7.53	69.61	7.53	65.74	7.53	63.16	7.53
	42	38	84.06	6.45	80.56	6.45	76.95	6.45	72.90	6.45	68.85	6.45	66.15	6.11
	47	43	86.86	5.80	82.88	5.80	79.37	5.80	77.00	5.80	71.63	5.32	68.05	5.01
	52	47	88.49	5.68	85.11	5.68	81.88	5.68	77.00	5.30	71.63	4.87	68.05	4.59
	57	52	90.55	5.56	87.56	5.56	82.37	5.17	77.00	4.78	71.63	4.40	68.05	4.15
	62	56	92.42	5.41	87.74	5.11	82.37	4.74	77.00	4.39	71.63	4.04	68.05	3.82
	67	61	93.12	4.93	87.74	4.59	82.37	4.27	77.00	3.96	71.63	3.65	68.05	3.45
	72	66	93.12	4.44	87.74	4.15	82.37	3.86	77.00	3.58	71.63	3.31	68.05	3.13
75	69	93.12	4.15	87.74	3.88	82.37	3.62	77.00	3.36	71.63	3.10	68.05	2.94	
90%	-13	-13	56.94	16.11	56.84	16.12	56.73	16.13	56.69	16.14	55.94	16.14	54.60	16.15
	-8	-9	61.04	16.15	60.93	16.15	60.81	16.16	60.77	16.17	59.96	16.17	58.52	16.18
	-3	-4	65.05	15.85	64.93	15.86	64.81	15.86	64.77	15.87	64.47	15.87	61.24	15.88
	2	1	69.60	15.29	69.52	15.29	69.40	15.29	69.30	15.30	64.47	15.30	61.24	15.31
	7	6	71.68	14.35	71.60	14.35	70.82	14.35	69.30	14.36	64.47	14.36	61.24	14.36
	12	10	73.57	13.28	73.35	13.28	71.95	13.29	69.30	13.29	64.47	13.29	61.24	13.29
	17	15	76.76	11.85	76.68	11.85	74.13	11.85	69.30	11.85	64.47	11.86	61.24	11.86
	22	20	78.99	11.01	78.77	11.01	74.13	11.01	69.30	11.01	64.47	11.01	61.24	11.02
	27	24	81.68	10.12	78.88	10.12	74.13	10.12	69.30	10.12	64.47	10.12	61.24	10.12
	32	29	82.42	8.95	78.97	8.95	74.13	8.95	69.30	8.95	64.47	8.95	61.24	8.95
	37	34	79.32	7.53	75.55	7.53	71.80	7.53	67.36	7.53	64.47	7.25	61.24	6.83
	42	38	80.80	6.45	76.95	6.45	73.13	6.45	69.30	6.25	64.47	5.74	61.24	5.41
	47	43	81.91	5.59	78.01	5.59	74.13	5.34	69.30	4.94	64.47	4.54	61.24	4.28
	52	47	82.92	5.45	78.97	5.24	74.13	4.86	69.30	4.50	64.47	4.14	61.24	3.91
	57	52	83.80	5.02	78.97	4.68	74.13	4.35	69.30	4.03	64.47	3.72	61.24	3.51
	62	56	83.80	4.60	78.97	4.29	74.13	3.99	69.30	3.70	64.47	3.42	61.24	3.23
	67	61	83.80	4.14	78.97	3.87	74.13	3.60	69.30	3.34	64.47	3.09	61.24	2.93
	72	66	83.80	3.74	78.97	3.50	74.13	3.26	69.30	3.03	64.47	2.81	61.24	2.66
75	69	83.80	3.50	78.97	3.28	74.13	3.06	69.30	2.85	64.47	2.64	61.24	2.50	
80%	-13	-13	55.80	16.13	55.70	16.13	55.60	16.14	55.56	16.15	54.82	16.15	53.50	16.16
	-8	-9	60.18	16.16	59.41	16.16	58.63	16.17	57.92	16.18	56.63	16.18	54.44	16.19
	-3	-4	65.26	15.86	63.82	15.87	62.38	15.87	60.99	15.88	57.30	15.88	54.44	15.89
	2	1	67.62	15.29	65.61	15.30	63.59	15.30	61.60	15.30	57.30	15.31	54.44	15.31
	7	6	69.17	14.35	66.64	14.36	64.11	14.36	61.60	14.36	57.30	14.36	54.44	14.37
	12	10	70.58	13.29	67.59	13.29	64.59	13.29	61.60	13.29	57.30	13.30	54.44	13.30
	17	15	71.87	11.85	68.44	11.85	65.02	11.85	61.60	11.86	57.30	11.86	54.44	11.86
	22	20	71.87	11.01	68.44	11.01	65.02	11.01	61.60	11.02	57.30	11.02	54.44	11.02
	27	24	71.87	10.12	68.44	10.12	65.02	10.12	61.60	10.12	57.30	10.13	54.44	10.02
	32	29	71.87	8.95	68.44	8.95	65.02	8.95	61.60	8.95	57.30	8.35	54.44	7.87
	37	34	71.87	7.53	68.44	7.53	65.02	7.44	61.60	6.87	57.30	6.32	54.44	5.96
	42	38	71.87	6.45	68.44	6.34	65.02	5.89	61.60	5.44	57.30	5.01	54.44	4.73
	47	43	71.87	5.37	68.44	5.01	65.02	4.66	61.60	4.31	57.30	3.98	54.44	3.76
	52	47	71.87	4.89	68.44	4.57	65.02	4.25	61.60	3.94	57.30	3.64	54.44	3.44
	57	52	71.87	4.37	68.44	4.09	65.02	3.81	61.60	3.54	57.30	3.27	54.44	3.10
	62	56	71.87	4.01	68.44	3.76	65.02	3.50	61.60	3.25	57.30	3.01	54.44	2.86
	67	61	71.87	3.62	68.44	3.39	65.02	3.17	61.60	2.95	57.30	2.73	54.44	2.59
	72	66	71.87	3.28	68.44	3.07	65.02	2.87	61.60	2.68	57.30	2.48	54.44	2.36
75	69	71.87	3.08	68.44	2.88	65.02	2.70	61.60	2.51	57.30	2.34	54.44	2.22	

NOTE - Power Input = Compressor + Outdoor Fan Motor.  
 MBH = 1000 BTUs per hour.



# HEATING CAPACITY - SINGLE MODULE - VRA072L4

Combination (%)	Outdoor Temperature (°F)		Indoor Temperature - °F Dry Bulb											
			61		64		67		70		73		75	
	Dry Bulb	Wet Bulb	Total Cap. MBH	Power Input kW	Total Cap. MBH	Power Input kW	Total Cap. MBH	Power Input kW	Total Cap. MBH	Power Input kW	Total Cap. MBH	Power Input kW	Total Cap. MBH	Power Input kW
70%	-13	-13	54.14	16.14	54.04	16.15	53.94	16.15	53.90	16.16	50.14	16.17	47.63	16.17
	-8	-9	56.01	16.17	55.29	16.18	54.57	16.18	53.90	16.19	50.14	16.19	47.63	16.20
	-3	-4	57.67	15.87	56.40	15.88	55.13	15.88	53.90	15.89	50.14	15.89	47.63	15.89
	2	1	59.16	15.30	57.39	15.31	55.64	15.31	53.90	15.31	50.14	15.31	47.63	15.32
	7	6	60.51	14.36	58.29	14.36	56.09	14.36	53.90	14.37	50.14	14.37	47.63	14.37
	12	10	61.73	13.29	59.10	13.29	56.50	13.30	53.90	13.30	50.14	13.30	47.63	13.30
	17	15	62.84	11.85	59.84	11.86	56.88	11.86	53.90	11.86	50.14	11.86	47.63	11.86
	22	20	62.84	11.01	59.84	11.02	56.88	11.02	53.90	11.02	50.14	10.98	47.63	10.33
	27	24	62.84	10.12	59.84	10.12	56.88	10.13	53.90	9.90	50.14	9.09	47.63	8.57
	32	29	62.84	8.95	59.84	8.95	56.88	8.42	53.90	7.78	50.14	7.16	47.63	6.75
	37	34	62.84	7.35	59.84	6.85	56.88	6.36	53.90	5.89	50.14	5.43	47.63	5.13
	42	38	62.84	5.81	59.84	5.42	56.88	5.05	53.90	4.68	50.14	4.32	47.63	4.09
	47	43	62.84	4.60	59.84	4.30	56.88	4.00	53.90	3.72	50.14	3.44	47.63	3.26
	52	47	62.84	4.20	59.84	3.93	56.88	3.66	53.90	3.40	50.14	3.15	47.63	2.99
	57	52	62.84	3.76	59.84	3.52	56.88	3.29	53.90	3.06	50.14	2.84	47.63	2.70
	62	56	62.84	3.46	59.84	3.24	56.88	3.03	53.90	2.83	50.14	2.62	47.63	2.49
	67	61	62.84	3.13	59.84	2.94	56.88	2.75	53.90	2.56	50.14	2.38	47.63	2.27
72	66	62.84	2.84	59.84	2.67	56.88	2.50	53.90	2.33	50.14	2.17	47.63	2.07	
75	69	62.84	2.67	59.84	2.51	56.88	2.35	53.90	2.20	50.14	2.05	47.63	1.95	
60%	-13	-13	46.40	16.16	46.32	16.16	46.23	16.17	46.20	16.17	42.98	16.18	40.83	16.18
	-8	-9	47.86	16.18	47.29	16.19	46.72	16.19	46.20	16.20	42.98	16.20	40.83	16.21
	-3	-4	49.22	15.88	48.20	15.89	47.18	15.89	46.20	15.90	42.98	15.90	40.83	15.90
	2	1	50.50	15.31	49.06	15.31	47.62	15.32	46.20	15.32	42.98	15.32	40.83	15.32
	7	6	51.70	14.37	49.86	14.37	48.02	14.37	46.20	14.37	42.98	14.37	40.83	14.38
	12	10	52.83	13.30	50.62	13.30	48.40	13.30	46.20	13.30	42.98	13.30	40.83	13.30
	17	15	53.90	11.86	51.33	11.86	48.77	11.86	46.20	11.86	42.98	11.39	40.83	10.72
	22	20	54.63	11.02	52.02	11.02	49.42	10.79	46.20	9.97	42.98	9.17	40.83	8.65
	27	24	55.17	10.13	52.28	9.63	49.42	8.94	46.20	8.27	42.98	7.62	40.83	7.20
	32	29	55.87	8.11	52.44	7.57	49.42	7.04	46.20	6.53	42.98	6.03	40.83	5.70
	37	34	55.87	6.14	52.49	5.74	49.42	5.35	46.20	4.97	42.98	4.59	40.83	4.35
	42	38	55.87	4.87	52.54	4.56	49.42	4.25	46.20	3.95	42.98	3.66	40.83	3.47
	47	43	55.87	3.87	52.65	3.62	49.42	3.39	46.20	3.15	42.98	2.93	40.83	2.78
	52	47	55.87	3.54	52.65	3.32	49.42	3.10	46.20	2.89	42.98	2.69	40.83	2.55
	57	52	55.87	3.18	52.65	2.99	49.42	2.80	46.20	2.61	42.98	2.43	40.83	2.31
	62	56	55.87	2.93	52.65	2.76	49.42	2.59	46.20	2.42	42.98	2.25	40.83	2.14
	67	61	55.87	2.66	52.65	2.50	49.42	2.35	46.20	2.20	42.98	2.05	40.83	1.95
72	66	55.87	2.42	52.65	2.28	49.42	2.14	46.20	2.01	42.98	1.87	40.83	1.79	
75	69	55.87	2.28	52.65	2.15	49.42	2.02	46.20	1.89	42.98	1.77	40.83	1.69	
50%	-13	-13	38.67	16.17	38.60	16.18	38.53	16.18	38.50	16.19	35.81	16.19	34.02	16.19
	-8	-9	39.78	16.20	39.51	16.20	38.99	16.20	38.50	16.21	35.81	16.21	34.02	16.21
	-3	-4	40.87	15.90	40.41	15.90	39.44	15.90	38.50	15.90	35.81	15.91	34.02	15.91
	2	1	41.95	15.32	41.30	15.32	39.89	15.32	38.50	15.32	35.81	15.33	34.02	15.33
	7	6	43.01	14.37	42.17	14.37	40.33	14.38	38.50	14.38	35.81	14.38	34.02	14.38
	12	10	44.05	13.30	43.03	13.30	40.76	13.30	38.50	13.24	35.81	12.16	34.02	11.45
	17	15	45.08	11.86	43.87	11.67	41.19	10.83	38.50	10.02	35.81	9.22	34.02	8.71
	22	20	46.56	10.06	43.87	9.39	41.19	8.73	38.50	8.09	35.81	7.47	34.02	7.07
	27	24	46.56	8.34	43.87	7.80	41.19	7.27	38.50	6.75	35.81	6.24	34.02	5.91
	32	29	46.56	6.58	43.87	6.16	41.19	5.75	38.50	5.35	35.81	4.96	34.02	4.70
	37	34	46.56	5.01	43.87	4.70	41.19	4.39	38.50	4.09	35.81	3.80	34.02	3.61
	42	38	46.56	3.99	43.87	3.74	41.19	3.50	38.50	3.27	35.81	3.04	34.02	2.89
	47	43	46.56	3.18	43.87	2.99	41.19	2.80	38.50	2.62	35.81	2.44	34.02	2.32
	52	47	46.56	2.92	43.87	2.75	41.19	2.58	38.50	2.41	35.81	2.25	34.02	2.14
	57	52	46.56	2.63	43.87	2.48	41.19	2.33	38.50	2.18	35.81	2.04	34.02	1.95
	62	56	46.56	2.43	43.87	2.30	41.19	2.16	38.50	2.03	35.81	1.89	34.02	1.81
	67	61	46.56	2.21	43.87	2.09	41.19	1.97	38.50	1.85	35.81	1.73	34.02	1.65
72	66	46.56	2.02	43.87	1.91	41.19	1.80	38.50	1.69	35.81	1.59	34.02	1.52	
75	69	46.56	1.91	43.87	1.80	41.19	1.70	38.50	1.60	35.81	1.50	34.02	1.43	

NOTE - Power Input = Compressor + Outdoor Fan Motor.  
MBH = 1000 BTUs per hour.



## COOLING CAPACITY - SINGLE MODULE - VRA096L4

Combination (%)	Outdoor Temperature °F (Dry Bulb)	Indoor Temperature - °F (Dry Bulb / Wet Bulb)											
		67 / 57		71 / 60		75 / 63		80 / 67		85 / 71		90 / 75	
		Total Cap.	Power Input	Total Cap.	Power Input	Total Cap.	Power Input	Total Cap.	Power Input	Total Cap.	Power Input	Total Cap.	Power Input
		MBH	kW	MBH	kW	MBH	kW	MBH	kW	MBH	kW	MBH	kW
130%	25	77.63	3.08	90.20	3.65	103.02	4.24	119.79	5.05	129.51	5.01	132.39	5.21
	30	77.63	3.15	90.20	3.73	103.02	4.34	119.79	5.17	127.46	5.14	130.33	5.33
	35	77.63	3.22	90.20	3.82	103.02	4.44	119.79	5.29	125.30	5.26	128.42	5.47
	40	77.63	3.30	90.20	3.92	103.02	4.55	119.79	5.42	123.15	5.39	126.50	5.60
	45	77.63	3.38	90.20	4.02	103.02	4.67	117.88	5.40	120.99	5.46	124.10	5.64
	50	77.63	3.47	90.20	4.12	103.02	4.79	115.96	5.39	118.83	5.53	121.71	5.68
	55	77.63	3.55	90.20	4.23	103.02	4.91	113.56	5.35	117.04	5.57	120.27	5.76
	60	77.63	3.65	90.20	4.34	103.02	5.05	111.65	5.40	115.00	5.71	117.88	5.90
	65	77.63	3.80	90.20	4.56	103.02	5.42	109.01	5.81	111.17	5.94	114.76	6.07
	70	77.63	3.90	90.20	4.84	101.74	5.74	107.33	6.08	110.69	6.23	114.04	6.38
	75	77.63	4.27	90.20	5.32	100.47	6.17	105.42	6.47	108.77	6.54	112.13	6.69
	80	77.63	4.69	90.20	5.85	98.87	6.61	103.26	6.85	106.49	6.93	109.73	7.09
	85	77.63	5.13	90.20	6.41	97.27	7.06	101.58	7.24	104.46	7.33	107.33	7.41
	90	77.63	5.61	90.04	6.99	96.08	7.53	99.19	7.63	102.42	7.72	104.94	7.81
	95	77.63	6.11	88.77	7.44	94.01	7.93	96.79	8.03	100.15	8.12	100.63	8.14
	100	77.63	6.67	87.17	7.87	91.94	8.32	94.80	8.42	95.74	8.44	95.76	8.44
	105	77.63	7.34	85.63	8.39	89.55	8.78	90.53	8.82	90.53	8.82	90.63	8.82
	110	77.63	8.19	83.45	9.03	85.39	9.31	85.39	9.31	85.48	9.33	85.48	9.33
115	73.60	9.39	73.74	9.40	73.92	9.41	74.08	9.42	74.32	9.44	74.46	9.45	
118	63.30	8.56	63.42	8.57	63.57	8.58	63.71	8.59	63.91	8.60	64.04	8.62	
120%	25	71.68	2.82	83.26	3.34	94.84	3.87	110.21	4.60	125.13	4.92	130.47	5.11
	30	71.68	2.89	83.26	3.41	94.84	3.96	110.21	4.71	124.10	5.04	128.42	5.23
	35	71.68	2.95	83.26	3.49	94.84	4.05	110.21	4.83	122.67	5.16	126.50	5.36
	40	71.68	3.02	83.26	3.57	94.84	4.15	110.21	4.95	121.23	5.28	124.58	5.49
	45	71.68	3.09	83.26	3.66	94.84	4.26	110.21	5.07	119.07	5.35	122.19	5.53
	50	71.68	3.17	83.26	3.76	94.84	4.36	110.21	5.20	116.92	5.42	119.79	5.57
	55	71.68	3.25	83.26	3.86	94.84	4.48	110.21	5.34	115.00	5.46	117.64	5.65
	60	71.68	3.34	83.26	3.96	94.84	4.60	109.73	5.43	112.84	5.60	115.96	5.78
	65	71.68	3.48	83.26	4.13	94.84	4.86	107.09	5.68	109.61	5.82	112.13	5.95
	70	71.68	3.52	83.26	4.32	94.84	5.20	105.42	6.05	108.77	6.11	111.17	6.25
	75	71.68	3.83	83.26	4.74	94.84	5.73	103.50	6.42	106.85	6.49	109.25	6.56
	80	71.68	4.20	83.26	5.20	94.84	6.28	102.06	6.81	104.58	6.88	107.81	6.95
	85	71.68	4.58	83.26	5.69	94.20	6.78	99.67	7.20	102.54	7.27	105.42	7.36
	90	71.68	5.01	83.26	6.23	92.65	7.23	97.27	7.59	100.51	7.67	103.02	7.76
	95	71.68	5.46	83.26	6.80	91.20	7.69	95.45	7.98	98.23	8.07	100.63	8.14
	100	71.68	5.95	83.26	7.43	89.84	8.18	93.39	8.37	95.38	8.43	95.76	8.44
	105	71.68	6.53	82.97	8.12	88.35	8.73	90.37	8.81	90.53	8.82	90.63	8.82
	110	71.68	7.28	81.53	8.79	85.20	9.31	85.39	9.31	85.48	9.33	85.48	9.33
115	71.68	8.10	73.26	9.08	73.92	9.41	74.08	9.42	74.32	9.44	74.46	9.45	
118	63.30	7.59	63.42	8.33	63.57	8.58	63.71	8.59	63.91	8.60	64.04	8.62	
110%	25	65.65	2.57	76.36	3.03	87.02	3.50	101.58	4.16	115.48	4.84	128.55	5.03
	30	65.65	2.63	76.36	3.10	87.02	3.58	101.58	4.26	115.48	4.96	126.50	5.15
	35	65.65	2.69	76.36	3.17	87.02	3.67	101.58	4.36	115.48	5.08	124.10	5.28
	40	65.65	2.75	76.36	3.24	87.02	3.75	101.58	4.46	115.48	5.20	121.71	5.41
	45	65.65	2.82	76.36	3.32	87.02	3.85	101.58	4.58	114.76	5.27	119.79	5.45
	50	65.65	2.88	76.36	3.40	87.02	3.95	101.58	4.70	114.04	5.34	117.88	5.49
	55	65.65	2.95	76.36	3.49	87.02	4.05	101.58	4.82	112.72	5.38	115.48	5.56
	60	65.65	3.03	76.36	3.59	87.02	4.16	101.58	4.96	110.93	5.42	113.56	5.69
	65	65.65	3.16	76.36	3.74	87.02	4.34	101.58	5.29	107.69	5.74	110.93	5.86
	70	65.65	3.19	76.36	3.84	87.02	4.59	101.58	5.72	106.85	6.07	109.25	6.16
	75	65.65	3.40	76.36	4.19	87.02	5.04	101.58	6.30	104.94	6.45	107.33	6.55
	80	65.65	3.73	76.36	4.60	87.02	5.54	100.15	6.77	102.54	6.84	105.18	6.90
	85	65.65	4.07	76.36	5.03	87.02	6.07	97.75	7.15	100.39	7.22	103.50	7.29
	90	65.65	4.44	76.36	5.49	87.02	6.63	95.71	7.53	98.59	7.61	101.10	7.69
	95	65.65	4.83	76.36	5.99	87.02	7.24	93.73	7.92	96.26	8.01	98.71	8.08
	100	65.65	5.26	76.36	6.54	86.41	7.82	91.66	8.31	94.13	8.39	95.76	8.44
	105	65.65	5.78	76.36	7.19	84.99	8.36	89.54	8.78	90.50	8.82	90.63	8.82
	110	65.65	6.43	76.36	8.02	83.57	9.06	85.39	9.31	85.48	9.33	85.48	9.33
115	65.65	7.15	71.76	8.84	73.92	9.41	74.08	9.42	74.32	9.44	74.46	9.45	
118	63.30	7.31	63.42	8.28	63.57	8.58	63.71	8.59	63.91	8.60	64.04	8.62	

NOTE - Power Input = Compressor + Outdoor Fan Motor.  
MBH = 1000 BTUs per hour.

## COOLING CAPACITY - SINGLE MODULE - VRA096L4

Combination (%)	Outdoor Temperature °F (Dry Bulb)	Indoor Temperature - °F (Dry Bulb / Wet Bulb)											
		67 / 57		71 / 60		75 / 63		80 / 67		85 / 71		90 / 75	
		Total Cap.	Power Input	Total Cap.	Power Input	Total Cap.	Power Input	Total Cap.	Power Input	Total Cap.	Power Input	Total Cap.	Power Input
		MBH	kW	MBH	kW	MBH	kW	MBH	kW	MBH	kW	MBH	kW
100%	25	59.70	2.33	69.41	2.73	79.09	3.15	92.00	3.73	104.94	4.34	117.88	4.96
	30	59.70	2.38	69.41	2.79	79.09	3.22	92.00	3.81	104.94	4.44	117.88	5.07
	35	59.70	2.43	69.41	2.86	79.09	3.29	92.00	3.91	104.94	4.55	117.88	5.20
	40	59.70	2.48	69.41	2.92	79.09	3.37	92.00	4.00	104.94	4.66	117.88	5.33
	45	59.70	2.54	69.41	2.99	79.09	3.46	92.00	4.11	104.94	4.78	116.92	5.37
	50	59.70	2.60	69.41	3.07	79.09	3.54	92.00	4.21	104.94	4.90	115.96	5.41
	55	59.70	2.67	69.41	3.14	79.09	3.63	92.00	4.32	104.94	5.03	113.56	5.48
	60	59.70	2.73	69.41	3.22	79.09	3.73	92.00	4.44	104.94	5.16	111.17	5.61
	65	59.70	2.85	69.41	3.36	79.09	3.89	92.00	4.63	104.58	5.53	108.05	5.77
	70	59.70	2.87	69.41	3.40	79.09	4.01	92.00	4.96	103.50	5.90	107.33	6.07
	75	59.70	3.01	69.41	3.67	79.09	4.40	92.00	5.46	102.54	6.38	105.42	6.46
	80	59.70	3.29	69.41	4.03	79.09	4.82	92.00	6.00	100.63	6.79	103.02	6.84
	85	59.70	3.59	69.41	4.40	79.09	5.28	92.00	6.58	98.47	7.17	101.10	7.23
	90	59.70	3.91	69.41	4.81	79.09	5.77	92.00	7.20	96.53	7.56	99.19	7.63
	95	59.70	4.25	69.41	5.23	79.09	6.29	92.00	7.87	94.44	7.94	96.79	8.02
	100	59.70	4.62	69.41	5.70	79.09	6.87	89.94	8.26	92.35	8.33	94.54	8.41
	105	59.70	5.07	69.41	6.27	79.09	7.56	87.82	8.73	89.94	8.80	90.63	8.82
	110	59.70	5.63	69.41	6.98	79.09	8.44	85.39	9.31	85.48	9.33	85.48	9.33
115	59.70	6.25	69.41	7.76	73.54	9.03	74.08	9.42	74.32	9.44	74.46	9.45	
118	59.70	6.63	61.08	7.24	63.57	8.27	63.71	8.59	63.91	8.60	64.04	8.62	
90%	25	53.76	2.10	62.46	2.44	71.17	2.81	82.80	3.31	94.64	3.84	106.38	4.39
	30	53.76	2.14	62.46	2.49	71.17	2.87	82.80	3.38	94.64	3.93	106.38	4.50
	35	53.76	2.18	62.46	2.55	71.17	2.94	82.80	3.47	94.64	4.03	106.38	4.61
	40	53.76	2.23	62.46	2.60	71.17	3.00	82.80	3.55	94.64	4.13	106.38	4.72
	45	53.76	2.28	62.46	2.67	71.17	3.07	82.80	3.64	94.64	4.23	106.38	4.84
	50	53.76	2.33	62.46	2.74	71.17	3.15	82.80	3.73	94.64	4.34	106.38	4.96
	55	53.76	2.39	62.46	2.80	71.17	3.23	82.80	3.83	94.64	4.45	106.38	5.09
	60	53.76	2.44	62.46	2.87	71.17	3.31	82.80	3.93	94.64	4.57	106.38	5.23
	65	53.76	2.53	62.46	2.99	71.17	3.45	82.80	4.10	94.64	4.80	106.38	5.66
	70	53.76	2.57	62.46	3.02	71.17	3.49	82.80	4.26	94.64	5.16	105.42	6.03
	75	53.76	2.63	62.46	3.20	71.17	3.80	82.80	4.69	94.64	5.68	102.54	6.41
	80	53.76	2.88	62.46	3.50	71.17	4.17	82.80	5.14	94.64	6.24	101.10	6.79
	85	53.76	3.14	62.46	3.82	71.17	4.55	82.80	5.63	94.40	6.81	98.71	7.18
	90	53.76	3.41	62.46	4.16	71.17	4.97	82.80	6.16	93.37	7.33	96.31	7.57
	95	53.76	3.70	62.46	4.53	71.17	5.41	82.80	6.72	92.24	7.85	94.59	7.95
	100	53.76	4.03	62.46	4.93	71.17	5.90	82.80	7.34	90.38	8.27	92.55	8.34
	105	53.76	4.41	62.46	5.40	71.17	6.48	82.80	8.08	88.29	8.74	90.18	8.80
	110	53.76	4.89	62.46	6.02	71.17	7.23	82.80	9.03	85.48	9.33	85.48	9.33
115	53.76	5.42	62.46	6.68	71.11	8.64	74.08	9.42	74.32	9.44	74.46	9.45	
118	53.76	5.74	61.08	6.92	61.86	7.97	63.71	8.59	63.91	8.60	64.04	8.62	
80%	25	47.73	1.88	55.49	2.17	63.25	2.48	73.60	2.91	83.95	3.36	94.30	3.84
	30	47.73	1.91	55.49	2.21	63.25	2.53	73.60	2.98	83.95	3.44	94.30	3.93
	35	47.73	1.95	55.49	2.26	63.25	2.58	73.60	3.05	83.95	3.52	94.30	4.03
	40	47.73	1.99	55.49	2.31	63.25	2.64	73.60	3.12	83.95	3.61	94.30	4.12
	45	47.73	2.03	55.49	2.36	63.25	2.71	73.60	3.19	83.95	3.70	94.30	4.22
	50	47.73	2.08	55.49	2.41	63.25	2.77	73.60	3.27	83.95	3.78	94.30	4.33
	55	47.73	2.12	55.49	2.47	63.25	2.84	73.60	3.35	83.95	3.89	94.30	4.45
	60	47.73	2.17	55.49	2.53	63.25	2.91	73.60	3.44	83.95	3.99	94.30	4.57
	65	47.73	2.24	55.49	2.63	63.25	3.03	73.60	3.57	83.95	4.16	94.30	4.79
	70	47.73	2.27	55.49	2.66	63.25	3.07	73.60	3.63	83.95	4.35	94.30	5.14
	75	47.73	2.33	55.49	2.77	63.25	3.25	73.60	3.97	83.95	4.78	94.30	5.66
	80	47.73	2.49	55.49	3.01	63.25	3.55	73.60	4.35	83.95	5.25	94.30	6.22
	85	47.73	2.71	55.49	3.28	63.25	3.88	73.60	4.76	83.95	5.75	94.30	6.82
	90	47.73	2.95	55.49	3.57	63.25	4.23	73.60	5.20	83.95	6.28	94.16	7.45
	95	47.73	3.20	55.49	3.88	63.25	4.60	73.60	5.66	83.95	6.86	92.38	7.88
	100	47.73	3.47	55.49	4.21	63.25	5.01	73.60	6.18	83.95	7.49	90.35	8.27
	105	47.73	3.79	55.49	4.61	63.25	5.49	73.60	6.79	83.92	8.24	88.29	8.74
	110	47.73	4.20	55.49	5.12	63.25	6.11	73.60	7.58	83.04	9.04	85.48	9.33
115	47.73	4.65	55.49	5.68	63.25	6.79	73.60	8.44	74.32	9.44	74.46	9.45	
118	47.73	4.93	55.49	6.02	61.86	7.04	63.71	7.74	63.91	8.60	64.04	8.62	

NOTE - Power Input = Compressor + Outdoor Fan Motor.  
MBH = 1000 BTUs per hour.

## COOLING CAPACITY - SINGLE MODULE - VRA096L4

Combination (%)	Outdoor Temperature °F (Dry Bulb)	Indoor Temperature - °F (Dry Bulb / Wet Bulb)											
		67 / 57		71 / 60		75 / 63		80 / 67		85 / 71		90 / 75	
		Total Cap.	Power Input	Total Cap.	Power Input	Total Cap.	Power Input	Total Cap.	Power Input	Total Cap.	Power Input	Total Cap.	Power Input
		MBH	kW	MBH	kW	MBH	kW	MBH	kW	MBH	kW	MBH	kW
70%	25	41.78	1.66	48.54	1.90	55.33	2.16	64.40	2.53	73.46	2.90	82.51	3.30
	30	41.78	1.69	48.54	1.94	55.33	2.20	64.40	2.58	73.46	2.97	82.51	3.37
	35	41.78	1.72	48.54	1.98	55.33	2.25	64.40	2.63	73.46	3.04	82.51	3.45
	40	41.78	1.76	48.54	2.02	55.33	2.30	64.40	2.69	73.46	3.10	82.51	3.53
	45	41.78	1.79	48.54	2.07	55.33	2.35	64.40	2.75	73.46	3.18	82.51	3.62
	50	41.78	1.83	48.54	2.11	55.33	2.41	64.40	2.82	73.46	3.26	82.51	3.72
	55	41.78	1.86	48.54	2.16	55.33	2.46	64.40	2.89	73.46	3.34	82.51	3.81
	60	41.78	1.91	48.54	2.21	55.33	2.52	64.40	2.97	73.46	3.43	82.51	3.91
	65	41.78	1.98	48.54	2.29	55.33	2.62	64.40	3.09	73.46	3.57	82.51	4.07
	70	41.78	1.99	48.54	2.31	55.33	2.65	64.40	3.13	73.46	3.62	82.51	4.24
	75	41.78	2.04	48.54	2.37	55.33	2.75	64.40	3.32	73.46	3.97	82.51	4.66
	80	41.78	2.15	48.54	2.56	55.33	2.99	64.40	3.63	73.46	4.34	82.51	5.11
	85	41.78	2.33	48.54	2.78	55.33	3.26	64.40	3.97	73.46	4.75	82.51	5.60
	90	41.78	2.53	48.54	3.02	55.33	3.55	64.40	4.33	73.46	5.18	82.51	6.12
	95	41.78	2.73	48.54	3.28	55.33	3.86	64.40	4.71	73.46	5.65	82.51	6.68
	100	41.78	2.96	48.54	3.55	55.33	4.19	64.40	5.12	73.46	6.17	82.51	7.30
	105	41.78	3.22	48.54	3.88	55.33	4.59	64.40	5.62	73.46	6.78	82.51	8.04
	110	41.78	3.57	48.54	4.30	55.33	5.09	64.40	6.25	73.46	7.55	82.51	8.97
115	41.78	3.94	48.54	4.77	55.33	5.65	64.40	6.95	72.79	8.74	74.46	9.45	
118	41.78	4.18	48.54	5.05	55.33	5.99	57.96	6.63	63.91	8.13	64.04	8.62	
60%	25	35.84	1.46	41.66	1.66	47.44	1.86	55.20	2.16	62.96	2.46	70.73	2.79
	30	35.84	1.49	41.66	1.69	47.44	1.90	55.20	2.19	62.96	2.51	70.73	2.85
	35	35.84	1.51	41.66	1.72	47.44	1.94	55.20	2.24	62.96	2.57	70.73	2.91
	40	35.84	1.53	41.66	1.75	47.44	1.98	55.20	2.29	62.96	2.62	70.73	2.98
	45	35.84	1.56	41.66	1.78	47.44	2.02	55.20	2.34	62.96	2.69	70.73	3.05
	50	35.84	1.60	41.66	1.82	47.44	2.06	55.20	2.40	62.96	2.76	70.73	3.13
	55	35.84	1.62	41.66	1.86	47.44	2.11	55.20	2.45	62.96	2.82	70.73	3.21
	60	35.84	1.66	41.66	1.90	47.44	2.15	55.20	2.51	62.96	2.89	70.73	3.29
	65	35.84	1.71	41.66	1.97	47.44	2.23	55.20	2.62	62.96	3.02	70.73	3.42
	70	35.84	1.72	41.66	1.99	47.44	2.26	55.20	2.64	62.96	3.05	70.73	3.47
	75	35.84	1.77	41.66	2.04	47.44	2.32	55.20	2.73	62.96	3.22	70.73	3.76
	80	35.84	1.83	41.66	2.15	47.44	2.49	55.20	2.98	62.96	3.53	70.73	4.12
	85	35.84	1.98	41.66	2.33	47.44	2.70	55.20	3.25	62.96	3.85	70.73	4.50
	90	35.84	2.13	41.66	2.52	47.44	2.93	55.20	3.53	62.96	4.20	70.73	4.91
	95	35.84	2.30	41.66	2.73	47.44	3.18	55.20	3.83	62.96	4.57	70.73	5.35
	100	35.84	2.49	41.66	2.95	47.44	3.44	55.20	4.17	62.96	4.97	70.73	5.84
	105	35.84	2.71	41.66	3.22	47.44	3.77	55.20	4.56	62.96	5.45	70.73	6.42
	110	35.84	2.99	41.66	3.56	47.44	4.17	55.20	5.06	62.96	6.07	70.73	7.14
115	35.84	3.29	41.66	3.93	47.44	4.61	55.20	5.62	62.96	6.73	70.73	7.95	
118	35.84	3.48	41.66	4.16	47.44	4.89	55.20	5.96	57.93	6.57	64.04	7.63	
50%	25	29.90	1.25	34.79	1.41	39.55	1.57	46.00	1.79	52.47	2.02	58.94	2.28
	30	29.90	1.28	34.79	1.44	39.55	1.60	46.00	1.81	52.47	2.06	58.94	2.32
	35	29.90	1.30	34.79	1.46	39.55	1.62	46.00	1.85	52.47	2.10	58.94	2.37
	40	29.90	1.31	34.79	1.47	39.55	1.65	46.00	1.90	52.47	2.14	58.94	2.42
	45	29.90	1.33	34.79	1.50	39.55	1.68	46.00	1.94	52.47	2.20	58.94	2.48
	50	29.90	1.36	34.79	1.53	39.55	1.71	46.00	1.98	52.47	2.25	58.94	2.54
	55	29.90	1.39	34.79	1.56	39.55	1.75	46.00	2.01	52.47	2.30	58.94	2.60
	60	29.90	1.41	34.79	1.60	39.55	1.78	46.00	2.06	52.47	2.35	58.94	2.66
	65	29.90	1.44	34.79	1.64	39.55	1.84	46.00	2.15	52.47	2.46	58.94	2.78
	70	29.90	1.46	34.79	1.66	39.55	1.88	46.00	2.16	52.47	2.47	58.94	2.70
	75	29.90	1.49	34.79	1.70	39.55	1.88	46.00	2.14	52.47	2.48	58.94	2.86
	80	29.90	1.51	34.79	1.74	39.55	1.98	46.00	2.32	52.47	2.71	58.94	3.13
	85	29.90	1.62	34.79	1.87	39.55	2.14	46.00	2.53	52.47	2.95	58.94	3.40
	90	29.90	1.73	34.79	2.02	39.55	2.32	46.00	2.74	52.47	3.21	58.94	3.70
	95	29.90	1.87	34.79	2.18	39.55	2.49	46.00	2.95	52.47	3.48	58.94	4.03
	100	29.90	2.02	34.79	2.35	39.55	2.70	46.00	3.22	52.47	3.77	58.94	4.38
	105	29.90	2.19	34.79	2.56	39.55	2.94	46.00	3.51	52.47	4.13	58.94	4.80
	110	29.90	2.41	34.79	2.81	39.55	3.24	46.00	3.88	52.47	4.58	58.94	5.31
115	29.90	2.63	34.79	3.09	39.55	3.58	46.00	4.29	52.47	4.73	58.94	6.46	
118	29.90	2.79	34.79	3.28	39.55	3.79	46.00	4.55	52.47	5.02	58.94	6.84	

NOTE - Power Input = Compressor + Outdoor Fan Motor.  
MBH = 1000 BTUs per hour.

# HEATING CAPACITY - SINGLE MODULE - VRA096L4

Combination (%)	Outdoor Temperature (°F)		Indoor Temperature - °F Dry Bulb											
			61		64		67		70		73		75	
	Dry Bulb	Wet Bulb	Total Cap. MBH	Power Input kW	Total Cap. MBH	Power Input kW	Total Cap. MBH	Power Input kW	Total Cap. MBH	Power Input kW	Total Cap. MBH	Power Input kW	Total Cap. MBH	Power Input kW
130%	-13	-13	74.47	14.07	74.24	14.57	74.03	15.04	73.80	15.47	73.57	15.89	73.39	16.14
	-8	-9	79.75	15.32	79.50	15.76	79.28	16.18	79.03	16.55	78.78	16.93	78.59	17.15
	-3	-4	84.86	16.11	84.60	16.46	84.36	16.80	84.09	17.10	83.83	17.40	83.63	17.58
	2	1	90.41	16.70	90.15	16.95	89.86	17.19	89.65	17.42	89.34	17.63	89.18	17.77
	7	6	95.88	16.80	95.61	16.96	95.29	17.11	95.05	17.25	94.74	17.39	94.58	17.48
	12	10	101.19	16.48	100.93	16.55	100.60	16.63	100.37	16.70	100.06	16.77	99.90	16.81
	17	15	105.36	16.15	105.10	16.16	104.86	16.16	104.67	16.17	104.36	16.17	104.21	16.17
	22	20	106.83	15.28	106.58	15.28	106.36	15.29	106.06	15.29	105.88	15.29	105.73	15.29
	27	24	108.18	14.17	107.40	14.17	107.15	14.18	107.15	14.18	106.80	14.18	106.11	14.19
	32	29	108.44	12.64	108.01	12.64	107.60	12.64	107.47	12.64	107.28	12.64	106.89	12.65
	37	34	102.16	10.83	101.84	10.83	101.44	10.83	101.30	10.83	101.30	10.84	101.30	10.84
	42	38	111.05	9.22	110.79	9.22	110.35	9.22	107.59	9.23	106.89	9.23	106.02	9.23
	47	43	120.21	7.98	117.49	7.98	114.76	7.98	112.04	7.98	109.31	7.98	108.03	7.98
	52	47	124.62	7.81	121.89	7.81	119.17	7.81	116.44	7.81	113.72	7.81	111.90	7.81
	57	52	130.12	7.60	127.40	7.60	124.67	7.60	121.95	7.60	119.22	7.60	117.41	7.60
	62	56	134.53	7.43	131.81	7.43	129.08	7.43	126.36	7.43	123.63	7.44	118.33	7.08
	67	61	140.04	7.22	137.31	7.22	134.59	7.22	131.86	7.22	124.56	6.80	118.33	6.41
	72	66	145.55	7.01	142.82	7.01	140.10	7.01	133.90	6.72	124.56	6.17	118.33	5.82
75	69	148.85	6.89	146.12	6.89	143.40	6.89	135.12	6.42	124.56	5.79	118.33	5.46	
120%	-13	-13	74.10	14.90	73.87	15.27	73.66	15.67	73.49	16.04	73.29	16.40	73.15	16.61
	-8	-9	79.35	16.05	79.11	16.38	78.88	16.73	78.70	17.06	78.48	17.37	78.34	17.55
	-3	-4	84.44	16.69	84.18	16.97	83.94	17.25	83.74	17.51	83.51	17.75	83.36	17.90
	2	1	90.00	17.10	89.74	17.32	89.49	17.53	89.30	17.72	88.99	17.88	88.83	17.99
	7	6	95.41	17.05	95.14	17.20	94.90	17.32	94.70	17.45	94.39	17.55	94.23	17.62
	12	10	100.72	16.61	100.46	16.68	100.21	16.73	100.02	16.81	99.76	16.84	99.55	16.87
	17	15	105.02	16.16	104.76	16.16	104.52	16.17	104.21	16.17	104.02	16.17	103.86	16.18
	22	20	106.50	15.28	106.25	15.29	106.02	15.29	105.73	15.29	105.55	15.30	105.40	15.30
	27	24	107.15	14.18	107.15	14.18	107.15	14.18	107.15	14.18	106.11	14.19	106.11	14.19
	32	29	107.86	12.64	107.57	12.64	107.47	12.64	107.47	12.64	106.89	12.65	106.89	12.65
	37	34	101.73	10.83	101.41	10.83	101.30	10.83	101.30	10.84	96.60	10.84	95.78	10.84
	42	38	105.06	9.22	104.68	9.22	104.56	9.23	104.56	9.23	102.02	9.23	99.99	9.23
	47	43	115.65	7.98	113.16	7.98	111.55	7.98	109.03	7.98	106.52	7.98	104.84	7.98
	52	47	120.98	7.81	118.47	7.81	115.95	7.81	113.44	7.81	110.92	7.82	109.23	7.81
	57	52	126.49	7.60	123.98	7.60	121.46	7.60	118.94	7.60	114.98	7.45	109.23	7.01
	62	56	130.90	7.43	128.38	7.43	125.87	7.43	123.35	7.44	114.98	6.85	109.23	6.45
	67	61	136.40	7.22	133.89	7.22	131.37	7.22	123.60	6.74	114.98	6.20	109.23	5.84
	72	66	141.91	7.01	139.40	7.01	132.22	6.62	123.60	6.12	114.98	5.63	109.23	5.31
75	69	145.22	6.89	142.70	6.89	132.73	6.26	123.60	5.74	114.98	5.29	109.23	4.99	
110%	-13	-13	73.76	15.57	73.56	15.91	73.36	16.23	73.15	16.55	72.99	16.82	72.85	16.98
	-8	-9	78.99	16.64	78.77	16.94	78.56	17.22	78.34	17.50	78.15	17.73	78.01	17.85
	-3	-4	84.05	17.17	83.82	17.41	83.59	17.64	83.36	17.87	83.16	18.04	83.01	18.12
	2	1	89.53	17.47	89.36	17.64	89.14	17.81	88.89	17.98	88.66	18.09	88.54	18.13
	7	6	94.94	17.28	94.76	17.40	94.54	17.51	94.35	17.62	94.06	17.67	93.95	17.68
	12	10	100.25	16.71	100.08	16.77	99.86	16.83	99.67	16.87	99.44	16.89	99.28	16.87
	17	15	103.52	16.17	103.26	16.17	103.10	16.17	103.86	16.18	103.67	16.18	100.13	16.18
	22	20	106.06	15.29	105.29	15.29	105.13	15.29	104.36	15.30	104.18	15.30	100.13	15.30
	27	24	108.74	14.18	107.99	14.18	107.51	14.18	105.06	14.19	105.06	14.19	100.13	14.19
	32	29	109.07	12.64	108.86	12.64	108.47	12.65	106.35	12.65	105.32	12.65	100.13	12.65
	37	34	101.30	10.83	101.30	10.83	101.30	10.84	100.44	10.84	96.27	10.84	93.11	10.84
	42	38	106.81	9.22	106.81	9.23	105.11	9.23	101.52	9.23	99.20	9.23	95.65	9.23
	47	43	112.94	7.98	110.64	7.98	108.33	7.98	106.03	7.98	103.72	7.98	100.13	7.72
	52	47	117.35	7.81	116.19	7.81	112.74	7.81	110.43	7.82	105.40	7.49	100.13	7.05
	57	52	122.86	7.60	120.55	7.60	118.25	7.60	113.30	7.32	105.40	6.72	100.13	6.33
	62	56	127.26	7.43	124.96	7.44	121.20	7.29	113.30	6.73	105.40	6.19	100.13	5.84
	67	61	132.77	7.22	129.11	7.10	121.20	6.59	113.30	6.09	105.40	5.61	100.13	5.29
	72	66	137.01	6.91	129.11	6.44	121.20	5.98	113.30	5.54	105.40	5.10	100.13	4.82
75	69	139.56	6.71	129.11	6.04	121.20	5.62	113.30	5.20	105.40	4.80	100.13	4.54	

NOTE - Power Input = Compressor + Outdoor Fan Motor.  
MBH = 1000 BTUs per hour.

# HEATING CAPACITY - SINGLE MODULE - VRA096L4

Combination (%)	Outdoor Temperature (°F)		Indoor Temperature - °F Dry Bulb											
			61		64		67		70		73		75	
	Dry Bulb	Wet Bulb	Total Cap. MBH	Power Input kW	Total Cap. MBH	Power Input kW	Total Cap. MBH	Power Input kW	Total Cap. MBH	Power Input kW	Total Cap. MBH	Power Input kW	Total Cap. MBH	Power Input kW
100%	-13	-13	73.39	16.23	73.21	16.51	73.04	16.77	72.85	17.11	72.69	17.30	72.58	18.16
	-8	-9	78.59	17.22	78.40	17.46	78.22	17.69	78.01	18.00	77.84	18.15	77.72	19.06
	-3	-4	83.63	17.63	83.42	17.83	83.23	18.01	83.01	18.28	82.83	18.39	82.70	19.31
	2	1	89.18	17.80	88.92	17.94	88.75	18.08	88.54	18.30	88.32	18.36	88.25	19.28
	7	6	94.58	17.50	94.32	17.59	94.15	17.68	93.95	17.85	93.72	17.87	91.02	18.77
	12	10	99.90	16.82	99.70	16.87	99.50	16.91	99.28	17.02	95.81	16.99	91.02	17.84
	17	15	103.57	16.17	103.40	16.17	103.19	16.18	103.00	16.18	95.81	16.18	91.02	16.19
	22	20	105.09	15.29	104.93	15.29	104.21	15.30	103.00	15.30	95.81	15.30	91.02	15.30
	27	24	105.58	14.18	105.06	14.19	104.85	14.19	103.00	14.19	95.81	14.19	91.02	14.19
	32	29	107.41	12.64	106.35	12.65	105.84	12.65	103.00	12.65	95.81	12.65	91.02	12.65
	37	34	101.30	10.84	100.33	10.84	97.71	10.84	93.11	10.84	87.94	10.84	84.49	10.84
	42	38	110.85	9.23	106.83	9.23	102.93	9.23	97.51	9.23	92.10	9.23	88.49	8.75
	47	43	116.18	7.98	110.65	7.98	106.17	7.98	103.00	7.98	95.81	7.33	91.02	6.90
	52	47	119.08	7.81	113.85	7.81	109.52	7.82	103.00	7.29	95.81	6.70	91.02	6.32
	57	52	121.61	7.60	117.13	7.60	110.19	7.08	103.00	6.54	95.81	6.02	91.02	5.68
	62	56	123.63	7.44	117.37	7.02	110.19	6.52	103.00	6.03	95.81	5.56	91.02	5.25
	67	61	124.56	6.80	117.37	6.35	110.19	5.90	103.00	5.47	95.81	5.04	91.02	4.77
	72	66	124.56	6.17	117.37	5.76	110.19	5.36	103.00	4.98	95.81	4.60	91.02	4.35
	75	69	124.56	5.79	117.37	5.41	110.19	5.04	103.00	4.68	95.81	4.33	91.02	4.10
	90%	-13	-13	71.83	17.85	71.68	18.16	71.54	18.45	71.39	18.82	71.24	19.03	71.13
-8		-9	76.92	18.94	76.76	19.21	76.60	19.46	76.45	19.80	76.28	19.97	76.17	20.97
-3		-4	81.85	19.40	81.67	19.61	81.51	19.82	81.35	20.11	81.17	20.23	81.05	21.24
2		1	86.39	19.59	86.22	19.74	86.05	19.89	85.88	20.13	85.67	20.20	81.92	21.21
7		6	91.59	19.54	91.42	19.54	90.36	19.54	90.19	19.55	86.23	19.55	81.92	19.56
12		10	95.97	17.79	95.80	17.80	94.71	17.80	92.70	17.80	86.23	17.81	81.92	17.81
17		15	96.95	16.50	96.79	16.50	95.66	16.51	92.70	16.51	86.23	16.51	81.92	16.51
22		20	98.31	15.30	98.16	15.30	97.04	15.30	92.70	15.30	86.23	15.31	81.92	15.31
27		24	100.69	14.19	100.50	14.19	99.17	14.19	92.70	14.19	86.23	14.20	81.92	14.20
32		29	104.34	12.65	101.90	12.65	99.17	12.65	92.70	12.65	86.23	12.65	81.92	12.66
37		34	104.75	10.84	99.88	10.84	95.17	10.84	90.10	10.84	86.23	10.44	81.92	9.83
42		38	107.77	9.23	102.76	9.23	97.91	9.23	92.70	8.94	86.23	8.21	81.92	7.73
47		43	108.85	7.98	103.79	7.98	99.17	7.63	92.70	7.05	86.23	6.49	81.92	6.12
52		47	110.08	7.82	105.63	7.51	99.17	6.97	92.70	6.45	86.23	5.94	81.92	5.61
57		52	112.10	7.23	105.63	6.74	99.17	6.26	92.70	5.80	86.23	5.35	81.92	5.06
62		56	112.10	6.65	105.63	6.21	99.17	5.77	92.70	5.35	86.23	4.94	81.92	4.68
67		61	112.10	6.02	105.63	5.62	99.17	5.24	92.70	4.86	86.23	4.50	81.92	4.26
72		66	112.10	5.47	105.63	5.12	99.17	4.77	92.70	4.43	86.23	4.11	81.92	3.89
75		69	112.10	5.14	105.63	4.81	99.17	4.49	92.70	4.18	86.23	3.87	81.92	3.67
80%		-13	-13	70.36	19.63	70.21	19.98	70.05	20.29	69.97	20.70	69.81	20.93	69.71
	-8	-9	75.34	20.83	75.18	21.13	75.02	21.41	74.92	21.78	74.76	21.96	72.82	23.06
	-3	-4	80.17	21.34	80.00	21.57	79.82	21.80	79.72	22.12	76.65	22.25	72.82	22.99
	2	1	82.90	21.54	82.73	21.71	82.57	21.88	82.40	22.14	76.65	22.22	72.82	22.28
	7	6	87.03	19.54	86.06	19.55	85.05	19.55	82.40	19.56	76.65	19.56	72.82	19.56
	12	10	89.91	17.80	88.53	17.80	86.98	17.80	82.40	17.81	76.65	17.81	72.82	17.81
	17	15	92.87	16.51	91.60	16.51	86.98	16.51	82.40	16.51	76.65	16.52	72.82	16.52
	22	20	96.32	15.30	91.60	15.30	86.98	15.31	82.40	15.31	76.65	15.31	72.82	15.31
	27	24	96.32	14.19	91.60	14.19	86.98	14.19	82.40	14.20	76.65	14.20	72.82	14.05
	32	29	96.32	12.65	91.60	12.65	86.98	12.65	82.40	12.66	76.65	11.81	72.82	11.12
	37	34	96.32	10.84	91.60	10.84	86.98	10.71	82.40	9.89	76.65	9.10	72.82	8.58
	42	38	96.32	9.23	91.60	9.07	86.98	8.42	82.40	7.79	76.65	7.17	72.82	6.77
	47	43	96.32	7.67	91.60	7.16	86.98	6.65	82.40	6.16	76.65	5.68	72.82	5.37
	52	47	96.32	7.01	91.60	6.54	86.98	6.09	82.40	5.65	76.65	5.21	72.82	4.93
	57	52	96.32	6.30	91.60	5.89	86.98	5.48	82.40	5.09	76.65	4.71	72.82	4.46
	62	56	96.32	5.81	91.60	5.43	86.98	5.06	82.40	4.71	76.65	4.36	72.82	4.13
	67	61	96.32	5.27	91.60	4.93	86.98	4.60	82.40	4.28	76.65	3.97	72.82	3.77
	72	66	96.32	4.80	91.60	4.50	86.98	4.20	82.40	3.91	76.65	3.63	72.82	3.45
	75	69	96.32	4.51	91.60	4.23	86.98	3.96	82.40	3.69	76.65	3.43	72.82	3.26

NOTE - Power Input = Compressor + Outdoor Fan Motor.  
 MBH = 1000 BTUs per hour.



# HEATING CAPACITY - SINGLE MODULE - VRA096L4

Combination (%)	Outdoor Temperature (°F)		Indoor Temperature - °F Dry Bulb											
			61		64		67		70		73		75	
	Dry Bulb	Wet Bulb	Total Cap. MBH	Power Input kW	Total Cap. MBH	Power Input kW	Total Cap. MBH	Power Input kW	Total Cap. MBH	Power Input kW	Total Cap. MBH	Power Input kW	Total Cap. MBH	Power Input kW
70%	-13	-13	72.41	20.70	72.29	20.70	72.15	20.71	72.10	20.72	67.07	20.73	63.72	20.73
	-8	-9	74.92	21.77	73.95	21.78	72.99	21.79	72.10	21.79	67.07	21.80	63.72	21.81
	-3	-4	77.15	22.11	75.44	22.12	73.75	22.12	72.10	22.13	67.07	22.14	63.72	22.14
	2	1	79.14	22.14	76.77	22.14	74.42	22.15	72.10	22.15	67.07	22.16	63.72	22.16
	7	6	80.94	19.55	77.97	19.56	75.03	19.56	72.10	19.56	67.07	19.57	63.72	19.57
	12	10	82.57	17.81	79.06	17.81	75.58	17.81	72.10	17.81	67.07	17.82	63.72	17.82
	17	15	84.05	16.51	80.05	16.51	76.08	16.51	72.10	16.52	67.07	16.52	63.72	16.52
	22	20	84.05	15.31	80.05	15.31	76.08	15.31	72.10	15.31	67.07	15.26	63.72	14.36
	27	24	84.05	14.19	80.05	14.20	76.08	14.20	72.10	13.88	67.07	12.75	63.72	12.01
	32	29	84.05	12.65	80.05	12.66	76.08	11.90	72.10	10.99	67.07	10.12	63.72	9.55
	37	34	84.05	10.58	80.05	9.86	76.08	9.16	72.10	8.48	67.07	7.82	63.72	7.39
	42	38	84.05	8.31	80.05	7.76	76.08	7.22	72.10	6.69	67.07	6.18	63.72	5.85
	47	43	84.05	6.57	80.05	6.14	76.08	5.72	72.10	5.31	67.07	4.91	63.72	4.65
	52	47	84.05	6.01	80.05	5.63	76.08	5.25	72.10	4.88	67.07	4.52	63.72	4.28
	57	52	84.05	5.42	80.05	5.08	76.08	4.74	72.10	4.41	67.07	4.09	63.72	3.88
62	56	84.05	5.00	80.05	4.69	76.08	4.39	72.10	4.09	67.07	3.79	63.72	3.60	
67	61	84.05	4.55	80.05	4.27	76.08	4.00	72.10	3.73	67.07	3.47	63.72	3.29	
72	66	84.05	4.15	80.05	3.90	76.08	3.66	72.10	3.41	67.07	3.18	63.72	3.02	
75	69	84.05	3.92	80.05	3.68	76.08	3.45	72.10	3.23	67.07	3.00	63.72	2.86	
60%	-13	-13	62.07	20.71	61.96	20.72	61.84	20.73	61.80	20.73	57.49	20.74	54.61	20.75
	-8	-9	64.01	21.79	63.26	21.80	62.50	21.80	61.80	21.81	57.49	21.81	54.61	21.82
	-3	-4	65.84	22.13	64.48	22.13	63.11	22.14	61.80	22.14	57.49	22.15	54.61	22.15
	2	1	67.55	22.15	65.62	22.15	63.69	22.16	61.80	22.16	57.49	22.17	54.61	22.17
	7	6	69.15	19.56	66.70	19.56	64.24	19.57	61.80	19.57	57.49	19.57	54.61	19.57
	12	10	70.67	17.81	67.71	17.81	64.75	17.82	61.80	17.82	57.49	17.82	54.61	17.82
	17	15	72.10	16.52	68.67	16.52	65.23	16.52	61.80	16.52	57.49	15.86	54.61	14.93
	22	20	73.80	15.31	69.59	15.31	66.11	15.00	61.80	13.85	57.49	12.74	54.61	12.01
	27	24	74.73	14.20	70.42	13.50	66.11	12.53	61.80	11.60	57.49	10.68	54.61	10.09
	32	29	74.73	11.46	70.42	10.70	66.11	9.95	61.80	9.23	57.49	8.52	54.61	8.06
	37	34	74.73	8.84	70.42	8.26	66.11	7.70	61.80	7.15	57.49	6.61	54.61	6.26
	42	38	74.73	6.97	70.42	6.52	66.11	6.08	61.80	5.66	57.49	5.24	54.61	4.97
	47	43	74.73	5.52	70.42	5.18	66.11	4.84	61.80	4.50	57.49	4.18	54.61	3.97
	52	47	74.73	5.07	70.42	4.76	66.11	4.45	61.80	4.15	57.49	3.85	54.61	3.66
	57	52	74.73	4.58	70.42	4.30	66.11	4.03	61.80	3.76	57.49	3.50	54.61	3.33
62	56	74.73	4.24	70.42	3.99	66.11	3.74	61.80	3.49	57.49	3.25	54.61	3.10	
67	61	74.73	3.87	70.42	3.64	66.11	3.42	61.80	3.20	57.49	2.98	54.61	2.84	
72	66	74.73	3.54	70.42	3.33	66.11	3.13	61.80	2.93	57.49	2.74	54.61	2.61	
75	69	74.73	3.34	70.42	3.15	66.11	2.96	61.80	2.78	57.49	2.60	54.61	2.48	
50%	-13	-13	51.79	20.73	51.68	20.74	51.60	20.75	51.50	20.75	47.91	20.76	45.51	20.76
	-8	-9	53.30	21.81	52.92	21.81	52.09	21.82	51.50	21.82	47.91	21.83	45.51	21.83
	-3	-4	54.77	22.14	54.14	22.15	52.83	22.15	51.50	22.15	47.91	22.16	45.51	22.16
	2	1	56.21	22.16	55.32	22.17	53.72	22.17	51.50	22.17	47.91	22.18	45.51	22.18
	7	6	57.61	19.57	56.47	19.57	54.56	19.57	51.50	19.58	47.91	19.58	45.51	19.58
	12	10	58.97	17.82	57.59	17.82	55.09	17.82	51.50	17.74	47.91	16.28	45.51	15.34
	17	15	60.30	16.52	58.69	16.26	55.09	15.09	51.50	13.95	47.91	12.84	45.51	12.13
	22	20	62.28	13.98	58.69	13.05	55.09	12.13	51.50	11.25	47.91	10.38	45.51	9.82
	27	24	62.28	11.70	58.69	10.93	55.09	10.19	51.50	9.46	47.91	8.75	45.51	8.28
	32	29	62.28	9.31	58.69	8.71	55.09	8.13	51.50	7.57	47.91	7.01	45.51	6.65
	37	34	62.28	7.21	58.69	6.76	55.09	6.32	51.50	5.89	47.91	5.47	45.51	5.19
	42	38	62.28	5.70	58.69	5.36	55.09	5.01	51.50	4.68	47.91	4.35	45.51	4.14
	47	43	62.28	4.54	58.69	4.27	55.09	4.00	51.50	3.74	47.91	3.48	45.51	3.32
	52	47	62.28	4.18	58.69	3.94	55.09	3.69	51.50	3.46	47.91	3.22	45.51	3.07
	57	52	62.28	3.79	58.69	3.57	55.09	3.36	51.50	3.15	47.91	2.94	45.51	2.80
62	56	62.28	3.52	58.69	3.32	55.09	3.12	51.50	2.93	47.91	2.74	45.51	2.61	
67	61	62.28	3.22	58.69	3.04	55.09	2.86	51.50	2.69	47.91	2.52	45.51	2.40	
72	66	62.28	2.96	58.69	2.79	55.09	2.63	51.50	2.48	47.91	2.32	45.51	2.22	
75	69	62.28	2.80	58.69	2.65	55.09	2.50	51.50	2.35	47.91	2.20	45.51	2.11	

NOTE - Power Input = Compressor + Outdoor Fan Motor.  
MBH = 1000 BTUs per hour.



## COOLING CAPACITY - SINGLE MODULE - VRA120L4

Combination (%)	Outdoor Temperature °F (Dry Bulb)	Indoor Temperature - °F (Dry Bulb / Wet Bulb)											
		67 / 57		71 / 60		75 / 63		80 / 67		85 / 71		90 / 75	
		Total Cap.	Power Input	Total Cap.	Power Input	Total Cap.	Power Input	Total Cap.	Power Input	Total Cap.	Power Input	Total Cap.	Power Input
		MBH	kW	MBH	kW	MBH	kW	MBH	kW	MBH	kW	MBH	kW
130%	25	96.79	3.84	112.61	4.55	128.74	5.29	149.50	6.30	161.82	6.33	165.66	6.47
	30	96.79	3.93	112.61	4.66	128.74	5.41	149.50	6.44	159.09	6.46	162.92	6.62
	35	96.79	4.02	112.61	4.77	128.74	5.54	149.50	6.60	156.69	6.68	160.52	6.78
	40	96.79	4.12	112.61	4.89	128.74	5.68	149.50	6.76	154.29	6.78	158.13	6.95
	45	96.79	4.22	112.61	5.01	128.74	5.83	147.11	6.74	151.42	6.80	155.25	7.00
	50	96.79	4.32	112.61	5.14	128.74	5.97	144.71	6.72	148.54	6.85	152.38	7.05
	55	96.79	4.43	112.61	5.27	128.74	6.13	142.31	6.67	146.15	6.91	149.98	7.00
	60	96.79	4.55	112.61	5.42	128.74	6.29	139.92	6.73	143.75	6.96	147.59	7.05
	65	96.79	4.75	112.61	5.68	128.26	6.75	135.37	7.23	139.92	7.37	143.75	7.53
	70	96.79	4.86	112.61	6.03	126.82	7.15	134.17	7.58	138.00	7.73	141.84	7.92
	75	96.79	5.33	112.61	6.63	125.54	7.69	132.25	8.06	136.09	8.21	139.92	8.36
	80	96.79	5.84	112.61	7.29	123.31	8.24	128.90	8.54	133.09	8.64	137.28	8.74
	85	96.79	6.40	112.61	7.99	121.71	8.81	126.50	9.03	130.34	9.14	134.17	9.24
	90	96.79	6.99	112.61	8.72	120.11	9.39	124.11	9.52	127.94	9.63	131.77	9.74
	95	96.79	7.62	111.17	9.28	117.88	9.89	121.71	10.01	125.06	10.12	125.54	10.16
	100	96.79	8.32	108.65	9.82	114.52	10.39	118.83	10.49	119.55	10.51	119.55	10.51
	105	96.79	9.16	107.10	10.47	112.02	10.98	113.40	11.02	113.40	11.02	113.40	11.02
	110	96.79	10.21	103.98	11.23	106.38	11.57	106.38	11.57	106.38	11.57	107.33	11.57
115	92.00	11.68	92.15	11.68	92.32	11.75	92.58	11.78	92.86	11.78	93.15	11.78	
118	79.12	10.65	79.24	10.65	79.40	10.71	79.62	10.74	79.86	10.74	80.11	10.74	
120%	25	89.51	3.52	104.32	4.16	118.83	4.82	138.00	5.74	156.14	6.13	162.78	6.37
	30	89.51	3.60	104.32	4.25	118.83	4.93	138.00	5.87	154.77	6.28	160.04	6.52
	35	89.51	3.68	104.32	4.36	118.83	5.06	138.00	6.02	153.10	6.43	157.65	6.68
	40	89.51	3.76	104.32	4.46	118.83	5.18	138.00	6.16	151.42	6.58	155.25	6.84
	45	89.51	3.86	104.32	4.57	118.83	5.31	138.00	6.32	149.02	6.67	152.38	6.90
	50	89.51	3.95	104.32	4.69	118.83	5.44	138.00	6.49	146.63	6.75	149.50	6.95
	55	89.51	4.06	104.32	4.81	118.83	5.59	138.00	6.66	143.63	6.81	147.11	6.90
	60	89.51	4.16	104.32	4.94	118.83	5.74	137.04	6.77	140.88	6.86	144.71	6.94
	65	89.51	4.34	104.32	5.15	118.83	6.06	133.21	7.07	137.04	7.26	140.88	7.42
	70	89.51	4.39	104.32	5.38	118.83	6.49	132.25	7.54	136.09	7.61	139.92	7.80
	75	89.51	4.78	104.32	5.91	118.83	7.14	129.38	8.02	133.21	8.09	137.04	8.23
	80	89.51	5.23	104.32	6.49	118.68	7.84	126.98	8.49	130.81	8.58	134.65	8.67
	85	89.51	5.72	104.32	7.10	117.56	8.45	124.59	8.97	128.42	9.07	131.77	9.17
	90	89.51	6.24	104.32	7.77	115.96	9.01	122.19	9.45	125.30	9.56	128.90	9.67
	95	89.51	6.80	104.32	8.48	114.36	9.59	118.83	9.95	122.67	10.06	125.54	10.16
	100	89.51	7.42	104.32	9.27	112.13	10.19	116.44	10.43	119.19	10.51	119.55	10.51
	105	89.51	8.15	103.84	10.11	110.53	10.87	113.08	11.02	113.40	11.02	113.40	11.02
	110	89.51	9.08	102.16	10.95	106.38	11.57	106.38	11.57	106.38	11.57	107.33	11.57
115	89.51	10.10	91.52	11.28	92.32	11.75	92.58	11.78	92.86	11.78	93.15	11.78	
118	79.12	9.47	79.24	10.36	79.40	10.71	79.62	10.74	79.86	10.74	80.11	10.74	
110%	25	82.13	3.21	95.28	3.78	108.61	4.37	126.50	5.19	144.23	6.04	159.91	6.28
	30	82.13	3.27	95.28	3.86	108.61	4.47	126.50	5.31	144.23	6.18	157.17	6.42
	35	82.13	3.35	95.28	3.95	108.61	4.58	126.50	5.44	144.23	6.33	154.77	6.58
	40	82.13	3.43	95.28	4.05	108.61	4.69	126.50	5.57	144.23	6.49	152.38	6.74
	45	82.13	3.51	95.28	4.15	108.61	4.80	126.50	5.71	143.27	6.57	149.98	6.79
	50	82.13	3.59	95.28	4.24	108.61	4.92	126.50	5.86	142.31	6.65	147.59	6.85
	55	82.13	3.68	95.28	4.35	108.61	5.05	126.50	6.02	141.00	6.71	144.23	6.80
	60	82.13	3.77	95.28	4.47	108.61	5.19	126.50	6.18	138.72	6.76	141.84	6.84
	65	82.13	3.93	95.28	4.67	108.61	5.41	126.50	6.60	134.29	7.15	138.00	7.31
	70	82.13	3.98	95.28	4.79	108.61	5.72	126.50	7.12	133.21	7.56	137.04	7.68
	75	82.13	4.24	95.28	5.23	108.61	6.29	126.50	7.85	130.81	8.04	134.17	8.11
	80	82.13	4.65	95.28	5.73	108.61	6.90	125.06	8.44	128.30	8.52	131.77	8.61
	85	82.13	5.08	95.28	6.27	108.61	7.56	122.67	8.92	125.54	9.00	129.38	9.09
	90	82.13	5.54	95.28	6.85	108.61	8.27	119.55	9.39	123.15	9.49	126.26	9.59
	95	82.13	6.03	95.28	7.47	108.61	9.04	116.92	9.87	120.75	9.98	123.63	10.08
	100	82.13	6.57	95.28	8.15	107.65	9.74	114.52	10.36	117.76	10.47	119.55	10.51
	105	82.13	7.20	95.28	8.97	106.27	10.44	111.81	10.91	113.40	11.02	113.40	11.02
	110	82.13	8.02	95.28	9.98	104.14	11.26	106.38	11.57	106.38	11.57	107.33	11.57
115	82.13	8.92	89.68	10.99	92.32	11.75	92.58	11.78	92.86	11.78	93.15	11.78	
118	79.12	9.10	79.24	10.29	79.40	10.71	79.62	10.74	79.86	10.74	80.11	10.74	

NOTE - Power Input = Compressor + Outdoor Fan Motor.  
MBH = 1000 BTUs per hour.

## COOLING CAPACITY - SINGLE MODULE - VRA120L4

Combination (%)	Outdoor Temperature °F (Dry Bulb)	Indoor Temperature - °F (Dry Bulb / Wet Bulb)											
		67 / 57		71 / 60		75 / 63		80 / 67		85 / 71		90 / 75	
		Total Cap.	Power Input	Total Cap.	Power Input	Total Cap.	Power Input	Total Cap.	Power Input	Total Cap.	Power Input	Total Cap.	Power Input
		MBH	kW	MBH	kW	MBH	kW	MBH	kW	MBH	kW	MBH	kW
100%	25	74.66	2.91	86.73	3.41	98.61	3.93	115.00	4.65	131.29	5.41	147.59	6.19
	30	74.66	2.97	86.73	3.48	98.61	4.01	115.00	4.75	131.29	5.54	147.59	6.33
	35	74.66	3.03	86.73	3.56	98.61	4.11	115.00	4.87	131.29	5.67	147.59	6.49
	40	74.66	3.10	86.73	3.64	98.61	4.21	115.00	4.99	131.29	5.81	147.59	6.64
	45	74.66	3.17	86.73	3.73	98.61	4.31	115.00	5.12	131.29	5.96	146.15	6.69
	50	74.66	3.24	86.73	3.82	98.61	4.42	115.00	5.24	131.29	6.11	144.71	6.75
	55	74.66	3.32	86.73	3.91	98.61	4.53	115.00	5.39	131.29	6.27	142.07	6.70
	60	74.66	3.40	86.73	4.02	98.61	4.65	115.00	5.53	131.29	6.44	138.96	6.74
	65	74.66	3.55	86.73	4.19	98.61	4.85	115.00	5.78	130.93	6.90	135.13	7.20
	70	74.66	3.59	86.73	4.24	98.61	5.00	115.00	6.18	129.38	7.35	134.17	7.57
	75	74.66	3.75	86.73	4.58	98.61	5.48	115.00	6.81	128.42	7.95	131.29	8.05
	80	74.66	4.10	86.73	5.02	98.61	6.01	115.00	7.48	125.90	8.46	128.90	8.53
	85	74.66	4.47	86.73	5.49	98.61	6.59	115.00	8.20	123.15	8.94	126.50	9.02
	90	74.66	4.87	86.73	5.99	98.61	7.20	115.00	8.98	120.75	9.42	123.39	9.51
	95	74.66	5.30	86.73	6.52	98.61	7.85	115.00	9.81	117.88	9.91	120.75	10.00
	100	74.66	5.76	86.73	7.11	98.61	8.57	112.61	10.28	115.48	10.39	118.12	10.48
	105	74.66	6.32	86.73	7.81	98.61	9.43	109.89	10.88	112.45	10.97	113.40	11.02
	110	74.66	7.03	86.73	8.70	98.61	10.52	106.38	11.57	106.38	11.57	107.33	11.57
115	74.66	7.80	86.73	9.68	91.84	11.29	92.58	11.78	92.86	11.78	93.15	11.78	
118	74.66	8.27	76.32	9.03	79.40	10.35	79.62	10.74	79.86	10.74	80.11	10.74	
90%	25	67.18	2.62	78.03	3.05	88.93	3.50	103.50	4.13	117.88	4.79	132.25	5.48
	30	67.18	2.67	78.03	3.12	88.93	3.58	103.50	4.22	117.88	4.91	132.25	5.61
	35	67.18	2.73	78.03	3.18	88.93	3.66	103.50	4.33	117.88	5.03	132.25	5.75
	40	67.18	2.78	78.03	3.25	88.93	3.74	103.50	4.43	117.88	5.15	132.25	5.88
	45	67.18	2.85	78.03	3.33	88.93	3.83	103.50	4.54	117.88	5.28	132.25	6.03
	50	67.18	2.91	78.03	3.41	88.93	3.92	103.50	4.65	117.88	5.41	132.25	6.18
	55	67.18	2.97	78.03	3.49	88.93	4.02	103.50	4.77	117.88	5.55	132.25	6.35
	60	67.18	3.04	78.03	3.58	88.93	4.13	103.50	4.90	117.88	5.70	132.25	6.52
	65	67.18	3.17	78.03	3.73	88.93	4.30	103.50	5.11	117.88	5.99	132.25	7.04
	70	67.18	3.20	78.03	3.77	88.93	4.36	103.50	5.32	117.88	6.43	131.29	7.52
	75	67.18	3.29	78.03	3.99	88.93	4.74	103.50	5.84	117.88	7.08	128.42	7.99
	80	67.18	3.59	78.03	4.36	88.93	5.19	103.50	6.42	117.88	7.78	126.02	8.47
	85	67.18	3.92	78.03	4.76	88.93	5.68	103.50	7.02	117.64	8.49	123.63	8.95
	90	67.18	4.26	78.03	5.19	88.93	6.19	103.50	7.68	116.32	9.14	121.23	9.43
	95	67.18	4.62	78.03	5.64	88.93	6.75	103.50	8.38	115.00	9.80	117.88	9.92
	100	67.18	5.02	78.03	6.15	88.93	7.36	103.50	9.15	113.08	10.31	115.48	10.41
	105	67.18	5.50	78.03	6.74	88.93	8.09	103.50	10.08	110.37	10.90	112.77	11.02
	110	67.18	6.10	78.03	7.50	88.93	9.01	103.50	11.26	106.38	11.57	107.33	11.57
115	67.18	6.76	78.03	8.33	88.81	10.81	92.58	11.78	92.86	11.78	93.15	11.78	
118	67.18	7.16	76.32	8.63	77.26	9.97	79.62	10.74	79.86	10.74	80.11	10.74	
80%	25	59.70	2.34	69.41	2.71	79.10	3.09	92.00	3.63	104.94	4.19	117.88	4.78
	30	59.70	2.38	69.41	2.76	79.10	3.15	92.00	3.70	104.94	4.29	117.88	4.89
	35	59.70	2.43	69.41	2.82	79.10	3.23	92.00	3.79	104.94	4.39	117.88	5.01
	40	59.70	2.48	69.41	2.88	79.10	3.30	92.00	3.88	104.94	4.49	117.88	5.13
	45	59.70	2.53	69.41	2.94	79.10	3.37	92.00	3.98	104.94	4.61	117.88	5.27
	50	59.70	2.59	69.41	3.01	79.10	3.45	92.00	4.08	104.94	4.72	117.88	5.40
	55	59.70	2.64	69.41	3.08	79.10	3.53	92.00	4.17	104.94	4.85	117.88	5.54
	60	59.70	2.71	69.41	3.16	79.10	3.63	92.00	4.29	104.94	4.98	117.88	5.69
	65	59.70	2.81	69.41	3.28	79.10	3.78	92.00	4.46	104.94	5.20	117.88	5.97
	70	59.70	2.84	69.41	3.32	79.10	3.82	92.00	4.53	104.94	5.42	117.88	6.41
	75	59.70	2.91	69.41	3.45	79.10	4.05	92.00	4.95	104.94	5.96	117.88	7.06
	80	59.70	3.12	69.41	3.75	79.10	4.43	92.00	5.43	104.94	6.54	117.88	7.76
	85	59.70	3.39	69.41	4.09	79.10	4.84	92.00	5.94	104.94	7.17	117.88	8.51
	90	59.70	3.68	69.41	4.45	79.10	5.27	92.00	6.48	104.94	7.83	117.88	9.29
	95	59.70	3.99	69.41	4.83	79.10	5.73	92.00	7.07	104.94	8.56	115.96	9.83
	100	59.70	4.32	69.41	5.25	79.10	6.24	92.00	7.71	104.94	9.35	112.61	10.32
	105	59.70	4.72	69.41	5.75	79.10	6.85	92.00	8.47	104.94	10.28	110.53	10.91
	110	59.70	5.23	69.41	6.38	79.10	7.62	92.00	9.45	103.98	11.26	107.33	11.57
115	59.70	5.80	69.41	7.08	79.10	8.47	92.00	10.53	92.86	11.78	93.15	11.78	
118	59.70	6.15	69.41	7.50	77.26	8.77	79.62	9.66	79.86	10.74	80.11	10.74	

NOTE - Power Input = Compressor + Outdoor Fan Motor.  
MBH = 1000 BTUs per hour.

## COOLING CAPACITY - SINGLE MODULE - VRA120L4

Combination (%)	Outdoor Temperature °F (Dry Bulb)	Indoor Temperature - °F (Dry Bulb / Wet Bulb)											
		67 / 57		71 / 60		75 / 63		80 / 67		85 / 71		90 / 75	
		Total Cap.	Power Input	Total Cap.	Power Input	Total Cap.	Power Input	Total Cap.	Power Input	Total Cap.	Power Input	Total Cap.	Power Input
		MBH	kW	MBH	kW	MBH	kW	MBH	kW	MBH	kW	MBH	kW
70%	25	52.23	2.07	60.71	2.38	69.22	2.70	80.50	3.14	91.76	3.62	103.50	4.11
	30	52.23	2.11	60.71	2.42	69.22	2.75	80.50	3.21	91.76	3.70	103.50	4.20
	35	52.23	2.15	60.71	2.47	69.22	2.81	80.50	3.28	91.76	3.79	103.50	4.31
	40	52.23	2.19	60.71	2.53	69.22	2.87	80.50	3.36	91.76	3.87	103.50	4.41
	45	52.23	2.23	60.71	2.58	69.22	2.94	80.50	3.44	91.76	3.97	103.50	4.52
	50	52.23	2.27	60.71	2.63	69.22	3.00	80.50	3.51	91.76	4.06	103.50	4.63
	55	52.23	2.33	60.71	2.69	69.22	3.07	80.50	3.61	91.76	4.17	103.50	4.75
	60	52.23	2.38	60.71	2.75	69.22	3.14	80.50	3.70	91.76	4.28	103.50	4.88
	65	52.23	2.46	60.71	2.86	69.22	3.27	80.50	3.85	91.76	4.46	103.50	5.09
	70	52.23	2.48	60.71	2.89	69.22	3.31	80.50	3.89	91.76	4.53	103.50	5.29
	75	52.23	2.54	60.71	2.96	69.22	3.42	80.50	4.14	91.76	4.94	103.50	5.81
	80	52.23	2.67	60.71	3.18	69.22	3.73	80.50	4.53	91.76	5.42	103.50	6.38
	85	52.23	2.91	60.71	3.47	69.22	4.07	80.50	4.95	91.76	5.92	103.50	6.99
	90	52.23	3.15	60.71	3.77	69.22	4.43	80.50	5.39	91.76	6.46	103.50	7.64
	95	52.23	3.41	60.71	4.08	69.22	4.81	80.50	5.87	91.76	7.05	103.50	8.33
	100	52.23	3.69	60.71	4.43	69.22	5.22	80.50	6.39	91.76	7.68	103.50	9.10
	105	52.23	4.02	60.71	4.84	69.22	5.72	80.50	7.01	91.76	8.45	103.50	10.02
	110	52.23	4.45	60.71	5.37	69.22	6.35	80.50	7.80	91.76	9.42	103.50	11.16
115	52.23	4.91	60.71	5.94	69.22	7.04	80.50	8.66	90.95	10.90	93.15	11.78	
118	52.23	5.21	60.71	6.29	69.22	7.46	72.45	8.27	79.86	10.14	80.11	10.74	
60%	25	44.75	1.82	52.01	2.07	59.29	2.33	69.00	2.69	78.68	3.07	88.36	3.47
	30	44.75	1.85	52.01	2.10	59.29	2.37	69.00	2.74	78.68	3.13	88.36	3.55
	35	44.75	1.88	52.01	2.14	59.29	2.42	69.00	2.80	78.68	3.20	88.36	3.63
	40	44.75	1.92	52.01	2.18	59.29	2.46	69.00	2.86	78.68	3.27	88.36	3.71
	45	44.75	1.96	52.01	2.23	59.29	2.51	69.00	2.92	78.68	3.35	88.36	3.80
	50	44.75	1.99	52.01	2.27	59.29	2.57	69.00	2.99	78.68	3.43	88.36	3.89
	55	44.75	2.02	52.01	2.32	59.29	2.63	69.00	3.06	78.68	3.52	88.36	3.99
	60	44.75	2.07	52.01	2.37	59.29	2.69	69.00	3.13	78.68	3.61	88.36	4.10
	65	44.75	2.13	52.01	2.45	59.29	2.79	69.00	3.25	78.68	3.76	88.36	4.27
	70	44.75	2.16	52.01	2.48	59.29	2.82	69.00	3.29	78.68	3.80	88.36	4.32
	75	44.75	2.20	52.01	2.54	59.29	2.89	69.00	3.40	78.68	4.02	88.36	4.69
	80	44.75	2.28	52.01	2.67	59.29	3.10	69.00	3.71	78.68	4.40	88.36	5.14
	85	44.75	2.47	52.01	2.90	59.29	3.37	69.00	4.05	78.68	4.80	88.36	5.62
	90	44.75	2.66	52.01	3.14	59.29	3.66	69.00	4.40	78.68	5.23	88.36	6.13
	95	44.75	2.88	52.01	3.40	59.29	3.97	69.00	4.79	78.68	5.69	88.36	6.67
	100	44.75	3.10	52.01	3.68	59.29	4.29	69.00	5.20	78.68	6.19	88.36	7.28
	105	44.75	3.37	52.01	4.01	59.29	4.69	69.00	5.69	78.68	6.80	88.36	7.99
	110	44.75	3.72	52.01	4.43	59.29	5.20	69.00	6.32	78.68	7.56	88.36	8.92
115	44.75	4.10	52.01	4.90	59.29	5.76	69.00	7.01	78.68	8.40	88.36	9.92	
118	44.75	4.34	52.01	5.20	59.29	6.10	69.00	7.43	72.39	8.19	80.11	9.53	
50%	25	37.28	1.56	43.32	1.76	49.35	1.96	57.50	2.24	65.60	2.52	73.22	2.83
	30	37.28	1.58	43.32	1.79	49.35	2.00	57.50	2.27	65.60	2.57	73.22	2.89
	35	37.28	1.62	43.32	1.82	49.35	2.02	57.50	2.31	65.60	2.62	73.22	2.95
	40	37.28	1.65	43.32	1.84	49.35	2.05	57.50	2.36	65.60	2.67	73.22	3.01
	45	37.28	1.68	43.32	1.88	49.35	2.09	57.50	2.41	65.60	2.74	73.22	3.08
	50	37.28	1.71	43.32	1.91	49.35	2.13	57.50	2.47	65.60	2.80	73.22	3.15
	55	37.28	1.72	43.32	1.95	49.35	2.19	57.50	2.52	65.60	2.87	73.22	3.24
	60	37.28	1.76	43.32	1.99	49.35	2.24	57.50	2.57	65.60	2.94	73.22	3.32
	65	37.28	1.80	43.32	2.05	49.35	2.31	57.50	2.66	65.60	3.06	73.22	3.46
	70	37.28	1.84	43.32	2.07	49.35	2.32	57.50	2.70	65.60	3.08	73.22	3.35
	75	37.28	1.86	43.32	2.11	49.35	2.36	57.50	2.66	65.60	3.10	73.22	3.58
	80	37.28	1.88	43.32	2.16	49.35	2.47	57.50	2.90	65.60	3.37	73.22	3.90
	85	37.28	2.02	43.32	2.34	49.35	2.67	57.50	3.14	65.60	3.68	73.22	4.24
	90	37.28	2.17	43.32	2.52	49.35	2.89	57.50	3.41	65.60	4.00	73.22	4.62
	95	37.28	2.35	43.32	2.72	49.35	3.12	57.50	3.70	65.60	4.33	73.22	5.02
	100	37.28	2.52	43.32	2.93	49.35	3.37	57.50	4.00	65.60	4.70	73.22	5.46
	105	37.28	2.73	43.32	3.19	49.35	3.67	57.50	4.37	65.60	5.14	73.22	5.97
	110	37.28	2.99	43.32	3.50	49.35	4.05	57.50	4.84	65.60	5.70	73.22	6.67
115	37.28	3.28	43.32	3.87	49.35	4.47	57.50	5.35	65.60	5.90	73.22	8.05	
118	37.28	3.48	43.32	4.10	49.35	4.74	57.50	5.67	65.60	6.26	73.22	8.53	

NOTE - Power Input = Compressor + Outdoor Fan Motor.  
MBH = 1000 BTUs per hour.

## HEATING CAPACITY - SINGLE MODULE - VRA120L4

Combination (%)	Outdoor Temperature (°F)		Indoor Temperature - °F Dry Bulb											
			61		64		67		70		73		75	
	Dry Bulb	Wet Bulb	Total Cap. MBH	Power Input kW	Total Cap. MBH	Power Input kW	Total Cap. MBH	Power Input kW	Total Cap. MBH	Power Input kW	Total Cap. MBH	Power Input kW	Total Cap. MBH	Power Input kW
130%	-13	-13	76.45	14.72	76.10	15.39	75.99	15.89	75.83	16.51	75.53	17.06	75.53	17.41
	-8	-9	83.90	15.90	83.52	16.48	83.40	16.94	83.22	17.47	82.90	17.93	82.90	18.23
	-3	-4	91.20	16.92	90.79	17.40	90.66	17.80	90.46	18.22	90.11	18.56	90.11	18.81
	2	1	98.89	17.72	98.47	18.07	98.14	18.39	97.77	18.69	97.67	18.91	97.48	19.09
	7	6	106.60	18.40	106.17	18.66	105.79	18.88	105.67	19.07	105.33	19.21	105.09	19.30
	12	10	114.74	18.60	114.30	18.74	113.88	18.83	113.74	18.88	113.43	18.95	113.15	18.98
	17	15	123.18	18.85	122.74	18.85	122.59	18.86	122.00	18.86	121.80	18.87	121.41	18.87
	22	20	124.88	18.16	124.45	18.17	124.31	18.17	123.75	18.18	123.56	18.18	123.18	18.18
	27	24	126.03	16.85	125.93	16.86	125.63	16.86	125.36	16.87	124.92	16.87	124.83	16.87
	32	29	126.51	15.19	126.29	15.19	126.08	15.20	125.71	15.20	125.41	15.20	125.21	15.21
	37	34	117.68	13.50	117.52	13.50	117.32	13.50	117.03	13.51	116.73	13.51	116.59	13.51
	42	38	129.52	11.48	129.39	11.48	129.16	11.49	129.92	11.49	124.97	11.49	124.24	11.49
	47	43	139.36	9.80	136.88	9.80	133.70	9.80	130.53	9.80	127.35	9.80	125.86	9.80
	52	47	145.68	9.74	142.51	9.74	139.33	9.74	136.16	9.74	132.98	9.74	130.87	9.74
	57	52	152.72	9.66	149.54	9.66	146.37	9.66	143.19	9.66	140.02	9.66	137.86	9.66
	62	56	158.35	9.60	155.17	9.60	152.00	9.60	148.82	9.60	145.12	9.55	137.86	8.98
	67	61	165.38	9.52	162.21	9.53	159.03	9.53	155.86	9.53	145.12	8.76	137.86	8.25
72	66	172.42	9.45	169.24	9.45	166.07	9.45	156.00	8.80	145.12	8.08	137.86	7.62	
75	69	176.64	9.40	173.46	9.40	170.29	9.40	156.09	8.36	145.12	7.68	137.86	7.25	
120%	-13	-13	76.16	16.00	75.92	16.41	75.71	16.83	75.53	17.23	75.32	17.62	75.18	17.85
	-8	-9	83.58	17.04	83.33	17.39	83.09	17.76	82.90	18.11	82.67	18.44	82.51	18.63
	-3	-4	90.86	17.87	90.58	18.17	90.32	18.47	90.11	18.75	89.86	19.01	89.69	19.16
	2	1	98.24	18.44	97.96	18.67	97.69	18.89	97.48	19.10	97.14	19.28	96.97	19.39
	7	6	105.88	18.93	105.58	19.09	105.31	19.23	105.09	19.37	104.74	19.48	104.57	19.57
	12	10	113.95	18.83	113.65	18.91	113.38	18.97	113.15	19.06	112.86	19.10	112.62	19.14
	17	15	122.35	18.85	122.05	18.86	121.77	18.86	121.41	18.87	121.18	18.87	121.00	18.87
	22	20	124.08	18.17	123.79	18.17	123.52	18.18	123.18	18.18	122.97	18.18	122.80	18.19
	27	24	124.83	16.86	124.83	16.86	124.83	16.87	124.83	16.87	123.62	16.87	123.62	16.87
	32	29	125.66	15.20	125.32	15.20	125.21	15.20	125.21	15.20	124.53	15.21	124.53	15.21
	37	34	117.30	13.50	116.93	13.50	116.81	13.51	116.81	13.51	112.51	13.51	110.44	13.51
	42	38	125.15	11.48	123.73	11.49	122.35	11.49	122.35	11.49	119.38	11.49	117.01	11.49
	47	43	134.74	9.80	131.84	9.80	129.96	9.80	127.03	9.80	124.10	9.80	122.14	9.80
	52	47	141.48	9.74	138.54	9.74	135.60	9.74	132.66	9.74	129.72	9.74	127.26	9.74
	57	52	148.56	9.66	145.60	9.66	142.65	9.66	139.69	9.66	133.95	9.46	127.26	8.91
	62	56	153.27	9.45	149.87	9.46	146.94	9.46	144.00	9.46	133.95	8.71	127.26	8.20
	67	61	159.71	9.30	155.99	9.30	153.06	9.30	144.00	8.68	133.95	7.98	127.26	7.52
72	66	165.33	9.18	162.40	9.19	154.05	8.67	144.00	8.01	133.95	7.37	127.26	6.96	
75	69	169.18	9.13	166.25	9.13	154.64	8.29	144.00	7.61	133.95	7.01	127.26	6.62	
110%	-13	-13	75.81	16.72	75.60	17.09	75.39	17.44	75.18	17.78	75.01	18.07	74.87	18.24
	-8	-9	83.20	17.67	82.97	17.98	82.74	18.28	82.51	18.58	82.32	18.82	82.17	18.95
	-3	-4	90.44	18.39	90.19	18.64	89.94	18.89	89.69	19.13	89.49	19.32	89.32	19.40
	2	1	97.73	18.83	97.54	19.02	97.31	19.20	97.03	19.38	96.78	19.50	96.65	19.54
	7	6	105.35	19.19	105.16	19.31	104.92	19.43	104.70	19.56	104.38	19.62	104.26	19.63
	12	10	113.42	18.95	113.22	19.01	112.98	19.08	112.76	19.13	112.50	19.15	112.32	19.13
	17	15	121.81	18.86	121.51	18.86	121.32	18.87	121.00	18.87	120.78	18.88	116.65	18.88
	22	20	123.57	18.18	122.67	18.18	122.49	18.18	121.58	18.19	121.37	18.19	116.65	18.19
	27	24	126.68	16.86	125.82	16.87	125.25	16.87	122.40	16.87	122.40	16.88	116.65	16.88
	32	29	127.08	15.20	126.83	15.20	126.37	15.21	123.91	15.21	122.70	15.21	116.65	15.21
	37	34	116.81	13.51	116.81	13.51	116.81	13.51	115.81	13.51	111.01	13.51	107.36	13.51
	42	38	124.99	11.49	124.99	11.49	123.00	11.49	118.80	11.49	116.08	11.49	111.93	11.49
	47	43	131.59	9.80	129.55	9.80	126.85	9.80	123.53	9.80	120.84	9.80	116.65	9.48
	52	47	137.25	9.74	135.90	9.74	132.51	9.74	129.16	9.74	122.79	9.33	116.65	8.79
	57	52	143.13	9.53	140.45	9.53	137.76	9.53	132.00	9.17	122.79	8.43	116.65	7.94
	62	56	148.27	9.43	145.58	9.43	141.21	9.24	132.00	8.54	122.79	7.85	116.65	7.40
	67	61	154.68	9.31	150.42	9.14	141.21	8.49	132.00	7.85	122.79	7.23	116.65	6.82
72	66	159.63	9.05	150.42	8.44	141.21	7.84	132.00	7.26	122.79	6.69	116.65	6.32	
75	69	162.59	8.91	150.42	8.01	141.21	7.45	132.00	6.90	122.79	6.37	116.65	6.02	

NOTE - Power Input = Compressor + Outdoor Fan Motor.  
 MBH = 1000 BTUs per hour.

# HEATING CAPACITY - SINGLE MODULE - VRA120L4

Combination (%)	Outdoor Temperature (°F)		Indoor Temperature - °F Dry Bulb											
			61		64		67		70		73		75	
	Dry Bulb	Wet Bulb	Total Cap. MBH	Power Input kW	Total Cap. MBH	Power Input kW	Total Cap. MBH	Power Input kW	Total Cap. MBH	Power Input kW	Total Cap. MBH	Power Input kW	Total Cap. MBH	Power Input kW
100%	-13	-13	75.63	17.33	75.40	17.69	75.33	18.02	74.87	18.38	74.87	18.71	74.87	19.64
	-8	-9	83.00	18.21	82.76	18.51	82.67	18.78	82.17	19.11	82.17	19.38	82.17	20.35
	-3	-4	90.22	18.85	89.96	19.08	89.87	19.27	89.32	19.57	89.32	19.78	89.32	20.76
	2	1	97.21	19.20	96.99	19.34	96.92	19.47	96.65	19.73	96.36	19.86	96.36	20.85
	7	6	105.05	19.44	104.62	19.53	104.48	19.62	104.26	19.82	103.90	19.88	103.90	20.88
	12	10	113.07	19.12	112.95	19.15	112.63	19.19	112.32	19.30	111.63	19.33	106.05	20.29
	17	15	120.59	18.87	120.59	18.87	120.20	18.87	120.00	18.88	111.63	18.88	106.05	18.88
	22	20	121.76	18.18	121.76	18.18	121.39	18.19	120.00	18.19	111.63	17.95	106.05	17.80
	27	24	122.11	16.87	121.82	16.87	121.63	16.88	120.00	16.88	111.63	16.43	106.05	16.14
	32	29	122.89	15.21	122.62	15.21	121.90	15.21	120.00	15.21	111.63	14.60	106.05	14.20
	37	34	108.38	13.51	108.23	13.51	108.04	13.52	107.36	13.51	103.30	12.78	99.64	12.31
	42	38	117.76	11.49	117.57	11.49	116.90	11.50	112.99	11.49	106.72	10.71	102.53	10.21
	<b>47</b>	<b>43</b>	<b>130.63</b>	<b>9.79</b>	<b>127.73</b>	<b>9.79</b>	<b>123.69</b>	<b>9.79</b>	<b>120.00</b>	<b>9.79</b>	<b>111.63</b>	<b>8.98</b>	<b>106.05</b>	<b>8.46</b>
	52	47	139.26	9.69	133.15	9.69	128.10	9.69	120.00	8.98	111.63	8.25	106.05	7.78
	57	52	142.82	9.73	136.74	9.63	128.37	8.94	120.00	8.26	111.63	7.61	106.05	7.18
	62	56	145.12	9.61	136.74	8.96	128.37	8.32	120.00	7.70	111.63	7.10	106.05	6.71
	67	61	145.12	8.82	136.74	8.23	128.37	7.65	120.00	7.09	111.63	6.55	106.05	6.19
	72	66	145.12	8.14	136.74	7.60	128.37	7.08	120.00	6.57	111.63	6.07	106.05	5.75
	75	69	145.12	7.73	136.74	7.23	128.37	6.74	120.00	6.26	111.63	5.79	106.05	5.48
	90%	-13	-13	73.82	19.18	73.67	19.51	73.52	19.82	73.37	20.22	73.21	20.44	73.10
-8		-9	81.02	20.11	80.85	20.39	80.69	20.66	80.53	21.02	80.35	21.20	80.23	22.26
-3		-4	88.07	20.77	87.88	21.00	87.71	21.22	87.53	21.53	87.34	21.66	87.21	22.74
2		1	95.25	21.11	95.06	21.27	94.88	21.44	94.69	21.70	94.45	21.77	94.37	22.86
7		6	103.48	21.69	102.98	21.69	102.29	21.70	101.09	21.70	98.50	21.71	95.44	21.71
12		10	110.52	20.18	110.33	20.18	109.08	20.18	106.76	20.19	100.47	20.19	95.44	20.19
17		15	114.03	19.25	112.76	19.25	111.45	19.26	108.00	19.26	100.47	19.26	95.44	19.27
22		20	115.62	18.19	114.36	18.19	113.06	18.19	108.00	18.19	100.47	18.20	95.44	18.20
27		24	118.44	16.87	117.09	16.88	115.53	16.88	108.00	16.88	100.47	16.88	95.44	16.88
32		29	121.56	15.21	118.72	15.21	115.53	15.21	108.00	15.21	100.47	15.22	95.44	15.22
37		34	120.79	13.51	115.18	13.51	109.74	13.51	103.90	13.52	100.47	13.01	95.44	12.25
42		38	124.87	11.49	119.07	11.49	113.45	11.49	107.41	11.13	100.47	10.22	95.44	9.63
47		43	126.81	9.80	121.53	9.80	115.53	9.37	108.00	8.65	100.47	7.96	95.44	7.51
52		47	128.89	9.68	123.07	9.30	115.53	8.64	108.00	7.99	100.47	7.36	95.44	6.95
57		52	130.60	9.07	123.07	8.46	115.53	7.86	108.00	7.28	100.47	6.72	95.44	6.35
62		56	130.60	8.44	123.07	7.88	115.53	7.33	108.00	6.80	100.47	6.28	95.44	5.94
67		61	130.60	7.76	123.07	7.25	115.53	6.76	108.00	6.27	100.47	5.80	95.44	5.49
72		66	130.60	7.18	123.07	6.72	115.53	6.26	108.00	5.82	100.47	5.39	95.44	5.11
75		69	130.60	6.83	123.07	6.39	115.53	5.97	108.00	5.55	100.47	5.14	95.44	4.87
80%		-13	-13	72.31	21.09	72.16	21.46	72.00	21.80	71.91	22.24	71.75	22.49	71.64
	-8	-9	79.36	22.12	79.19	22.43	79.02	22.72	78.92	23.12	78.74	23.32	78.62	24.48
	-3	-4	85.41	22.85	85.23	23.10	85.04	23.34	84.93	23.68	84.75	23.82	84.62	25.02
	2	1	91.45	23.22	91.27	23.40	91.08	23.58	90.90	23.87	89.30	23.95	84.84	25.14
	7	6	96.56	21.70	96.41	21.70	96.20	21.71	96.00	21.71	89.30	21.71	84.84	21.72
	12	10	102.33	20.18	101.21	20.19	99.08	20.19	96.00	20.19	89.30	20.20	84.84	20.20
	17	15	107.90	19.26	105.83	19.26	101.13	19.26	96.00	19.26	89.30	19.27	84.84	19.27
	22	20	112.22	18.19	106.72	18.19	101.33	18.20	96.00	18.20	89.30	18.20	84.84	18.20
	27	24	112.22	16.88	106.72	16.88	101.33	16.88	96.00	16.88	89.30	16.89	84.84	16.71
	32	29	112.22	15.21	106.72	15.21	101.33	15.21	96.00	15.22	89.30	14.20	84.84	13.37
	37	34	112.22	13.51	106.72	13.52	101.33	13.36	96.00	12.33	89.30	11.34	84.84	10.69
	42	38	112.22	11.49	106.72	11.30	101.33	10.49	96.00	9.70	89.30	8.93	84.84	8.43
	47	43	112.22	9.42	106.72	8.79	101.33	8.17	96.00	7.56	89.30	6.97	84.84	6.59
	52	47	112.22	8.69	106.72	8.11	101.33	7.54	96.00	6.99	89.30	6.46	84.84	6.11
	57	52	112.22	7.91	106.72	7.39	101.33	6.88	96.00	6.39	89.30	5.91	84.84	5.60
	62	56	112.22	7.37	106.72	6.90	101.33	6.43	96.00	5.98	89.30	5.53	84.84	5.24
	67	61	112.22	6.80	106.72	6.36	101.33	5.94	96.00	5.53	89.30	5.12	84.84	4.86
	72	66	112.22	6.30	106.72	5.91	101.33	5.52	96.00	5.14	89.30	4.77	84.84	4.53
	75	69	112.22	6.00	106.72	5.63	101.33	5.27	96.00	4.91	89.30	4.56	84.84	4.33

NOTE - Power Input = Compressor + Outdoor Fan Motor.  
 MBH = 1000 BTUs per hour.



# HEATING CAPACITY - SINGLE MODULE - VRA120L4

Combination (%)	Outdoor Temperature (°F)		Indoor Temperature - °F Dry Bulb											
			61		64		67		70		73		75	
	Dry Bulb	Wet Bulb	Total Cap. MBH	Power Input kW	Total Cap. MBH	Power Input kW	Total Cap. MBH	Power Input kW	Total Cap. MBH	Power Input kW	Total Cap. MBH	Power Input kW	Total Cap. MBH	Power Input kW
70%	-13	-13	84.37	22.23	84.22	22.24	84.06	22.25	84.00	22.26	78.14	22.27	74.23	22.27
	-8	-9	87.28	23.12	86.16	23.12	85.04	23.13	84.00	23.14	78.14	23.14	74.23	23.15
	-3	-4	89.88	23.68	87.89	23.68	85.92	23.69	84.00	23.70	78.14	23.70	74.23	23.71
	2	1	92.21	23.86	89.44	23.87	86.71	23.87	84.00	23.88	78.14	23.88	74.23	23.89
	7	6	94.30	21.71	90.84	21.71	87.42	21.71	84.00	21.72	78.14	21.72	74.23	21.72
	12	10	96.20	20.19	92.11	20.19	88.06	20.20	84.00	20.20	78.14	20.20	74.23	20.21
	17	15	97.78	19.26	93.11	19.27	88.59	19.27	84.00	19.27	78.14	19.27	74.23	19.27
	22	20	97.78	18.20	93.11	18.20	88.59	18.20	84.00	18.20	78.14	18.14	74.23	17.07
	27	24	97.78	16.88	93.11	16.88	88.59	16.89	84.00	16.51	78.14	15.16	74.23	14.28
	32	29	97.78	15.22	93.11	15.22	88.59	14.30	84.00	13.22	78.14	12.16	74.23	11.48
	37	34	97.78	13.18	93.11	12.29	88.59	11.42	84.00	10.57	78.14	9.75	74.23	9.21
	42	38	97.78	10.35	93.11	9.66	88.59	8.99	84.00	8.34	78.14	7.70	74.23	7.28
	47	43	97.78	8.06	93.11	7.54	88.59	7.02	84.00	6.52	78.14	6.03	74.23	5.71
	52	47	97.78	7.45	93.11	6.97	88.59	6.50	84.00	6.05	78.14	5.60	74.23	5.31
	57	52	97.78	6.80	93.11	6.37	88.59	5.95	84.00	5.54	78.14	5.14	74.23	4.88
	62	56	97.78	6.35	93.11	5.96	88.59	5.57	84.00	5.19	78.14	4.82	74.23	4.58
	67	61	97.78	5.87	93.11	5.51	88.59	5.16	84.00	4.82	78.14	4.48	74.23	4.26
	72	66	97.78	5.45	93.11	5.13	88.59	4.80	84.00	4.49	78.14	4.18	74.23	3.98
75	69	97.78	5.20	93.11	4.89	88.59	4.59	84.00	4.29	78.14	4.00	74.23	3.81	
60%	-13	-13	72.31	22.25	72.19	22.26	72.05	22.27	72.00	22.28	66.98	22.28	63.63	22.29
	-8	-9	74.58	23.13	73.70	23.14	72.81	23.15	72.00	23.15	66.98	23.16	63.63	23.16
	-3	-4	76.70	23.69	75.12	23.70	73.53	23.70	72.00	23.71	66.98	23.72	63.63	23.72
	2	1	78.69	23.88	76.45	23.88	74.21	23.88	72.00	23.89	66.98	23.89	63.63	23.90
	7	6	80.57	21.72	77.70	21.72	74.84	21.72	72.00	21.73	66.98	21.73	63.63	21.73
	12	10	82.33	20.20	78.89	20.20	75.44	20.20	72.00	20.21	66.98	20.21	63.63	20.21
	17	15	84.00	19.27	80.00	19.27	76.00	19.27	72.00	19.28	66.98	18.51	63.63	17.42
	22	20	85.98	18.20	81.08	18.20	77.02	17.83	72.00	16.47	66.98	15.15	63.63	14.28
	27	24	87.07	16.89	82.05	16.06	77.02	14.91	72.00	13.79	66.98	12.71	63.63	12.00
	32	29	87.07	13.78	82.05	12.86	77.02	11.97	72.00	11.09	66.98	10.24	63.63	9.69
	37	34	87.07	11.02	82.05	10.30	77.02	9.60	72.00	8.91	66.98	8.24	63.63	7.81
	42	38	87.07	8.68	82.05	8.12	77.02	7.58	72.00	7.05	66.98	6.53	63.63	6.19
	47	43	87.07	6.78	82.05	6.36	77.02	5.94	72.00	5.53	66.98	5.13	63.63	4.87
	52	47	87.07	6.29	82.05	5.90	77.02	5.52	72.00	5.14	66.98	4.78	63.63	4.54
	57	52	87.07	5.76	82.05	5.41	77.02	5.06	72.00	4.73	66.98	4.40	63.63	4.18
	62	56	87.07	5.40	82.05	5.07	77.02	4.75	72.00	4.44	66.98	4.14	63.63	3.94
	67	61	87.07	5.00	82.05	4.71	77.02	4.42	72.00	4.13	66.98	3.85	63.63	3.67
	72	66	87.07	4.66	82.05	4.39	77.02	4.12	72.00	3.86	66.98	3.61	63.63	3.44
75	69	87.07	4.45	82.05	4.20	77.02	3.95	72.00	3.70	66.98	3.46	63.63	3.30	
50%	-13	-13	60.37	22.28	60.37	22.28	60.12	22.29	60.00	22.30	55.81	22.31	53.02	22.32
	-8	-9	62.53	23.15	61.79	23.16	60.84	23.17	60.00	23.17	55.81	23.18	53.02	23.19
	-3	-4	64.63	23.71	63.17	23.72	61.85	23.72	60.00	23.73	55.81	23.73	53.02	23.74
	2	1	66.68	23.89	64.51	23.89	63.04	23.90	60.00	23.90	55.81	23.90	53.02	23.91
	7	6	68.69	21.73	65.83	21.73	64.15	21.73	60.00	21.73	55.81	21.74	53.02	21.74
	12	10	70.65	20.21	67.12	20.21	64.19	20.21	60.00	20.21	55.81	20.22	53.02	19.58
	17	15	72.56	19.28	68.37	19.28	64.19	19.20	60.00	17.72	55.81	16.29	53.02	15.36
	22	20	72.56	16.48	68.37	16.39	64.19	16.23	60.00	15.00	55.81	13.81	53.02	13.03
	27	24	72.56	13.82	68.37	13.64	64.19	13.42	60.00	12.42	55.81	11.45	53.02	10.81
	32	29	72.56	11.12	68.37	10.89	64.19	10.63	60.00	9.85	55.81	9.10	53.02	8.60
	37	34	72.56	8.95	68.37	8.67	64.19	8.38	60.00	7.78	55.81	7.20	53.02	6.82
	42	38	72.56	7.09	68.37	6.78	64.19	6.46	60.00	6.02	55.81	5.59	53.02	5.30
	47	43	72.56	5.58	68.37	5.24	64.19	4.91	60.00	4.59	55.81	4.28	53.02	4.07
	52	47	72.56	5.18	68.37	4.88	64.19	4.58	60.00	4.28	55.81	4.00	53.02	3.81
	57	52	72.56	4.77	68.37	4.49	64.19	4.22	60.00	3.96	55.81	3.69	53.02	3.52
	62	56	72.56	4.48	68.37	4.22	64.19	3.97	60.00	3.73	55.81	3.49	53.02	3.33
	67	61	72.56	4.16	68.37	3.93	64.19	3.70	60.00	3.48	55.81	3.26	53.02	3.11
	72	66	72.56	3.89	68.37	3.68	64.19	3.47	60.00	3.26	55.81	3.06	53.02	2.93
75	69	72.56	3.73	68.37	3.53	64.19	3.33	60.00	3.13	55.81	2.94	53.02	2.81	

NOTE - Power Input = Compressor + Outdoor Fan Motor.  
MBH = 1000 BTUs per hour.



## COOLING CAPACITY - TWO MODULE - VRA144L4

Combination (%)	Outdoor Temperature °F (Dry Bulb)	Indoor Temperature - °F (Dry Bulb / Wet Bulb)											
		67 / 57		71 / 60		75 / 63		80 / 67		85 / 71		90 / 75	
		Total Cap.	Power Input	Total Cap.	Power Input	Total Cap.	Power Input	Total Cap.	Power Input	Total Cap.	Power Input	Total Cap.	Power Input
		MBH	kW	MBH	kW	MBH	kW	MBH	kW	MBH	kW	MBH	kW
130%	25	115.96	4.59	135.36	5.44	153.97	6.32	179.21	7.52	194.27	7.55	198.92	7.73
	30	115.96	4.69	135.36	5.57	153.97	6.46	179.21	7.69	191.19	7.71	195.50	7.91
	35	115.96	4.80	135.36	5.70	153.97	6.62	179.21	7.88	188.07	7.89	192.62	8.10
	40	115.96	4.91	135.36	5.83	153.97	6.78	179.21	8.07	184.96	8.10	189.75	8.30
	45	115.96	5.03	135.36	5.98	153.97	6.95	176.33	8.05	181.84	8.12	186.39	8.36
	50	115.96	5.16	135.36	6.13	153.97	7.13	173.46	8.02	178.73	8.19	183.04	8.42
	55	115.96	5.29	135.36	6.29	153.97	7.32	170.82	7.97	175.25	8.25	180.41	8.52
	60	115.96	5.44	135.36	6.46	153.97	7.52	167.71	8.03	172.26	8.50	176.81	8.74
	65	115.96	5.67	135.36	6.78	153.97	8.06	163.16	8.64	167.47	8.80	171.78	8.99
	70	115.96	5.80	135.36	7.20	152.69	8.54	161.00	9.05	165.79	9.31	170.58	9.32
	75	115.96	6.37	135.36	7.93	150.14	9.18	158.12	9.63	162.92	9.81	167.71	9.92
	80	115.96	6.98	135.36	8.71	148.38	9.84	154.77	10.21	159.92	10.31	164.35	10.42
	85	115.96	7.64	135.36	9.55	146.30	10.54	151.89	10.76	156.69	10.89	161.48	11.03
	90	115.96	8.35	134.82	10.42	143.99	11.23	149.02	11.37	153.45	11.49	157.88	11.61
	95	115.96	9.11	133.21	11.07	140.87	11.79	145.67	11.93	150.46	12.09	151.42	12.14
	100	115.96	9.94	130.51	11.75	137.92	12.43	141.83	12.57	143.27	12.57	143.27	12.57
	105	115.96	10.94	128.42	12.51	134.27	13.10	135.76	13.17	135.76	13.17	135.76	13.17
	110	115.96	12.14	125.30	13.42	128.42	13.85	128.42	13.85	128.42	13.85	128.42	13.85
115	110.21	13.96	110.21	13.96	110.85	14.03	111.17	14.06	111.17	14.06	112.12	14.06	
118	94.78	12.72	94.78	12.72	95.33	12.79	95.60	12.82	95.60	12.82	96.43	12.82	
120%	25	107.33	4.20	124.58	4.97	142.47	5.76	165.79	6.85	187.63	7.32	195.36	7.61
	30	107.33	4.29	124.58	5.08	142.47	5.89	165.79	7.01	185.92	7.49	192.62	7.79
	35	107.33	4.39	124.58	5.21	142.47	6.04	165.79	7.19	184.00	7.68	189.27	7.98
	40	107.33	4.50	124.58	5.33	142.47	6.18	165.79	7.36	182.08	7.87	185.92	8.18
	45	107.33	4.61	124.58	5.46	142.47	6.34	165.79	7.55	178.73	7.97	183.04	8.24
	50	107.33	4.72	124.58	5.60	142.47	6.50	165.79	7.74	175.37	8.07	180.17	8.30
	55	107.33	4.84	124.58	5.74	142.47	6.67	165.79	7.95	172.38	8.13	176.81	8.40
	60	107.33	4.96	124.58	5.89	142.47	6.85	164.83	8.09	169.38	8.37	173.94	8.61
	65	107.33	5.18	124.58	6.16	142.47	7.24	160.28	8.45	164.59	8.67	168.19	8.86
	70	107.33	5.24	124.58	6.43	142.47	7.74	159.08	9.00	162.92	9.17	167.71	9.18
	75	107.33	5.70	124.58	7.06	142.47	8.53	155.25	9.57	160.04	9.67	163.87	9.77
	80	107.33	6.25	124.58	7.75	142.31	9.36	152.61	10.14	156.69	10.25	161.24	10.37
	85	107.33	6.83	124.58	8.49	140.87	10.10	149.50	10.73	153.81	10.84	158.12	10.97
	90	107.33	7.46	124.58	9.28	138.96	10.75	146.38	11.29	150.58	11.44	155.01	11.50
	95	107.33	8.13	124.58	10.10	136.72	11.47	142.79	11.82	147.58	11.98	151.42	12.14
	100	107.33	8.86	124.58	11.08	134.49	12.18	140.16	12.46	142.91	12.57	143.27	12.57
	105	107.33	9.73	124.10	12.10	132.46	12.98	135.44	13.14	135.76	13.17	135.76	13.17
	110	107.33	10.87	122.43	13.10	128.10	13.85	128.42	13.85	128.42	13.85	128.42	13.85
115	107.33	12.04	109.49	13.48	110.85	14.03	111.17	14.06	111.17	14.06	112.12	14.06	
118	94.78	11.27	94.78	12.37	95.33	12.79	95.60	12.82	95.60	12.82	96.43	12.82	
110%	25	98.71	3.83	114.52	4.51	130.65	5.22	151.42	6.19	172.98	7.21	192.21	7.50
	30	98.71	3.91	114.52	4.61	130.65	5.34	151.42	6.34	172.98	7.38	188.79	7.68
	35	98.71	4.00	114.52	4.72	130.65	5.46	151.42	6.50	172.98	7.57	185.92	7.87
	40	98.71	4.09	114.52	4.83	130.65	5.59	151.42	6.66	172.98	7.75	183.04	8.06
	45	98.71	4.19	114.52	4.95	130.65	5.74	151.42	6.83	171.78	7.85	179.69	8.11
	50	98.71	4.29	114.52	5.08	130.65	5.88	151.42	7.00	170.58	7.95	176.33	8.17
	55	98.71	4.40	114.52	5.20	130.65	6.04	151.42	7.19	169.14	8.01	173.70	8.27
	60	98.71	4.51	114.52	5.34	130.65	6.19	151.42	7.38	166.27	8.25	170.10	8.49
	65	98.71	4.70	114.52	5.57	130.65	6.46	151.42	7.88	161.24	8.54	165.07	8.73
	70	98.71	4.75	114.52	5.72	130.65	6.83	151.42	8.51	160.04	9.03	163.87	9.12
	75	98.71	5.07	114.52	6.25	130.65	7.51	151.42	9.37	157.17	9.60	161.00	9.69
	80	98.71	5.55	114.52	6.84	130.65	8.24	149.98	10.07	153.81	10.18	157.64	10.28
	85	98.71	6.06	114.52	7.49	130.65	9.03	147.10	10.64	150.94	10.75	154.77	10.85
	90	98.71	6.61	114.52	8.18	130.65	9.88	143.51	11.19	147.70	11.33	151.89	11.48
	95	98.71	7.20	114.52	8.93	130.65	10.77	140.87	11.82	144.71	11.93	148.54	12.04
	100	98.71	7.84	114.52	9.73	129.53	11.62	137.28	12.36	141.11	12.52	143.27	12.57
	105	98.71	8.61	114.52	10.67	127.24	12.40	134.49	13.03	135.76	13.16	135.76	13.17
	110	98.71	9.58	114.52	11.98	125.54	13.49	128.42	13.85	128.42	13.85	128.42	13.85
115	98.71	10.64	107.33	13.13	110.85	14.03	111.17	14.06	111.17	14.06	112.12	14.06	
118	94.78	10.83	94.78	12.29	95.33	12.79	95.60	12.82	95.60	12.82	96.43	12.82	

NOTE - Power Input = Compressor + Outdoor Fan Motor.  
MBH = 1000 BTUs per hour.

## COOLING CAPACITY - TWO MODULE - VRA144L4

Combination (%)	Outdoor Temperature °F (Dry Bulb)	Indoor Temperature - °F (Dry Bulb / Wet Bulb)											
		67 / 57		71 / 60		75 / 63		80 / 67		85 / 71		90 / 75	
		Total Cap.	Power Input	Total Cap.	Power Input	Total Cap.	Power Input	Total Cap.	Power Input	Total Cap.	Power Input	Total Cap.	Power Input
		MBH	kW	MBH	kW	MBH	kW	MBH	kW	MBH	kW	MBH	kW
100%	25	89.51	3.47	104.31	4.07	118.83	4.69	138.00	5.56	157.17	6.46	176.33	7.39
	30	89.51	3.55	104.31	4.15	118.83	4.79	138.00	5.69	157.17	6.62	176.33	7.56
	35	89.51	3.62	104.31	4.25	118.83	4.91	138.00	5.83	157.17	6.78	176.33	7.75
	40	89.51	3.70	104.31	4.35	118.83	5.02	138.00	5.97	157.17	6.94	176.33	7.94
	45	89.51	3.79	104.31	4.46	118.83	5.15	138.00	6.11	157.17	7.12	174.89	7.99
	50	89.51	3.88	104.31	4.56	118.83	5.28	138.00	6.26	157.17	7.30	173.46	8.05
	55	89.51	3.97	104.31	4.68	118.83	5.41	138.00	6.43	157.17	7.49	170.10	8.15
	60	89.51	4.06	104.31	4.80	118.83	5.55	138.00	6.60	157.17	7.69	167.23	8.36
	65	89.51	4.22	104.31	5.00	118.83	5.79	138.00	6.90	156.81	8.24	161.48	8.60
	70	89.51	4.28	104.31	5.06	118.83	5.97	138.00	7.39	155.25	8.78	161.00	9.04
	75	89.51	4.48	104.31	5.48	118.83	6.55	138.00	8.13	153.81	9.50	158.12	9.62
	80	89.51	4.90	104.31	6.00	118.83	7.19	138.00	8.93	150.94	10.11	154.53	10.19
	85	89.51	5.34	104.31	6.55	118.83	7.86	138.00	9.80	148.06	10.68	151.42	10.75
	90	89.51	5.82	104.31	7.15	118.83	8.59	138.00	10.89	144.47	11.24	148.30	11.37
	95	89.51	6.33	104.31	7.79	118.83	9.38	138.00	11.93	141.83	11.82	145.67	11.93
	100	89.51	6.88	104.31	8.49	118.83	10.23	134.65	12.28	138.48	12.42	141.83	12.57
	105	89.51	7.55	104.31	9.33	118.83	11.24	131.93	13.03	135.12	13.10	135.76	13.17
	110	89.51	8.38	104.31	10.40	118.83	12.57	128.42	13.85	128.42	13.85	128.42	13.85
115	89.51	9.31	104.31	11.60	110.53	13.49	111.17	14.06	111.17	14.06	112.12	14.06	
118	89.51	9.87	91.80	10.82	95.33	12.34	95.60	12.82	95.60	12.82	96.43	12.82	
90%	25	80.60	3.12	93.46	3.64	106.69	4.18	124.58	4.93	141.35	5.72	159.08	6.54
	30	80.60	3.19	93.46	3.72	106.69	4.27	124.58	5.04	141.35	5.85	159.08	6.69
	35	80.60	3.25	93.46	3.80	106.69	4.37	124.58	5.16	141.35	6.00	159.08	6.86
	40	80.60	3.32	93.46	3.88	106.69	4.47	124.58	5.28	141.35	6.14	159.08	7.03
	45	80.60	3.40	93.46	3.98	106.69	4.58	124.58	5.42	141.35	6.30	159.08	7.21
	50	80.60	3.47	93.46	4.07	106.69	4.69	124.58	5.55	141.35	6.46	159.08	7.39
	55	80.60	3.55	93.46	4.17	106.69	4.81	124.58	5.70	141.35	6.63	159.08	7.58
	60	80.60	3.64	93.46	4.27	106.69	4.93	124.58	5.85	141.35	6.81	159.08	7.79
	65	80.60	3.79	93.46	4.44	106.69	5.14	124.58	6.10	141.35	7.16	159.08	8.42
	70	80.60	3.82	93.46	4.50	106.69	5.21	124.58	6.35	141.35	7.68	157.17	8.98
	75	80.60	3.93	93.46	4.76	106.69	5.66	124.58	6.98	141.35	8.45	154.29	9.54
	80	80.60	4.29	93.46	5.21	106.69	6.20	124.58	7.66	141.35	9.29	151.66	10.11
	85	80.60	4.67	93.46	5.69	106.69	6.78	124.58	8.39	141.11	10.14	148.06	10.66
	90	80.60	5.08	93.46	6.20	106.69	7.40	124.58	9.17	139.80	10.93	145.19	11.27
	95	80.60	5.52	93.46	6.74	106.69	8.06	124.58	10.01	138.48	11.66	141.83	11.82
	100	80.60	5.99	93.46	7.33	106.69	8.79	124.58	10.95	135.48	12.32	139.20	12.46
	105	80.60	6.55	93.46	8.05	106.69	9.66	124.58	12.00	132.41	13.03	135.12	13.14
	110	80.60	7.29	93.46	8.96	106.69	10.77	124.58	13.42	128.42	13.85	128.42	13.85
115	80.60	8.07	93.46	9.95	106.69	12.90	111.17	14.06	111.17	14.06	112.12	14.06	
118	80.60	8.56	91.59	10.34	92.82	11.90	95.60	12.82	95.60	12.82	96.43	12.82	
80%	25	71.68	2.79	83.25	3.23	94.84	3.69	110.21	4.33	125.54	5.01	141.83	5.71
	30	71.68	2.84	83.25	3.30	94.84	3.77	110.21	4.42	125.54	5.12	141.83	5.85
	35	71.68	2.90	83.25	3.37	94.84	3.85	110.21	4.53	125.54	5.25	141.83	5.99
	40	71.68	2.96	83.25	3.44	94.84	3.93	110.21	4.63	125.54	5.37	141.83	6.14
	45	71.68	3.03	83.25	3.52	94.84	4.03	110.21	4.75	125.54	5.50	141.83	6.29
	50	71.68	3.09	83.25	3.59	94.84	4.12	110.21	4.87	125.54	5.64	141.83	6.44
	55	71.68	3.16	83.25	3.68	94.84	4.22	110.21	4.99	125.54	5.79	141.83	6.62
	60	71.68	3.23	83.25	3.77	94.84	4.33	110.21	5.11	125.54	5.95	141.83	6.80
	65	71.68	3.36	83.25	3.92	94.84	4.51	110.21	5.33	125.54	6.20	141.83	7.14
	70	71.68	3.39	83.25	3.96	94.84	4.56	110.21	5.40	125.54	6.48	141.83	7.66
	75	71.68	3.47	83.25	4.11	94.84	4.84	110.21	5.91	125.54	7.12	141.83	8.43
	80	71.68	3.72	83.25	4.48	94.84	5.29	110.21	6.48	125.54	7.82	141.83	9.26
	85	71.68	4.05	83.25	4.88	94.84	5.78	110.21	7.09	125.54	8.56	141.83	10.16
	90	71.68	4.39	83.25	5.31	94.84	6.29	110.21	7.74	125.54	9.36	141.11	11.10
	95	71.68	4.76	83.25	5.77	94.84	6.85	110.21	8.44	125.54	10.21	138.96	11.72
	100	71.68	5.17	83.25	6.27	94.84	7.46	110.21	9.20	125.54	11.17	135.36	12.36
	105	71.68	5.65	83.25	6.87	94.84	8.18	110.21	10.12	125.54	12.25	132.57	13.03
	110	71.68	6.25	83.25	7.63	94.84	9.10	110.21	11.29	124.58	13.48	128.42	13.85
115	71.68	6.92	83.25	8.46	94.84	10.09	110.21	12.57	111.17	14.06	112.12	14.06	
118	71.68	7.34	83.25	8.97	92.82	10.47	95.60	11.56	95.60	12.82	96.43	12.82	

NOTE - Power Input = Compressor + Outdoor Fan Motor.  
MBH = 1000 BTUs per hour.

## COOLING CAPACITY - TWO MODULE - VRA144L4

Combination (%)	Outdoor Temperature °F (Dry Bulb)	Indoor Temperature - °F (Dry Bulb / Wet Bulb)											
		67 / 57		71 / 60		75 / 63		80 / 67		85 / 71		90 / 75	
		Total Cap.	Power Input	Total Cap.	Power Input	Total Cap.	Power Input	Total Cap.	Power Input	Total Cap.	Power Input	Total Cap.	Power Input
		MBH	kW	MBH	kW	MBH	kW	MBH	kW	MBH	kW	MBH	kW
70%	25	62.67	2.48	72.88	2.84	83.06	3.22	96.79	3.76	109.73	4.32	123.62	4.91
	30	62.67	2.51	72.88	2.89	83.06	3.28	96.79	3.83	109.73	4.42	123.62	5.02
	35	62.67	2.56	72.88	2.95	83.06	3.36	96.79	3.92	109.73	4.52	123.62	5.14
	40	62.67	2.61	72.88	3.01	83.06	3.43	96.79	4.01	109.73	4.62	123.62	5.26
	45	62.67	2.66	72.88	3.07	83.06	3.50	96.79	4.10	109.73	4.74	123.62	5.40
	50	62.67	2.72	72.88	3.14	83.06	3.58	96.79	4.20	109.73	4.85	123.62	5.53
	55	62.67	2.78	72.88	3.22	83.06	3.67	96.79	4.30	109.73	4.98	123.62	5.68
	60	62.67	2.84	72.88	3.29	83.06	3.76	96.79	4.41	109.73	5.11	123.62	5.83
	65	62.67	2.95	72.88	3.41	83.06	3.90	96.79	4.59	109.73	5.33	123.62	6.08
	70	62.67	2.97	72.88	3.45	83.06	3.95	96.79	4.64	109.73	5.40	123.62	6.32
	75	62.67	3.04	72.88	3.54	83.06	4.09	96.79	4.94	109.73	5.90	123.62	6.95
	80	62.67	3.20	72.88	3.81	83.06	4.46	96.79	5.41	109.73	6.47	123.62	7.62
	85	62.67	3.47	72.88	4.14	83.06	4.86	96.79	5.91	109.73	7.07	123.62	8.34
	90	62.67	3.76	72.88	4.49	83.06	5.28	96.79	6.44	109.73	7.72	123.62	9.12
	95	62.67	4.07	72.88	4.88	83.06	5.74	96.79	7.01	109.73	8.42	123.62	9.96
	100	62.67	4.40	72.88	5.29	83.06	6.24	96.79	7.63	109.73	9.18	123.62	10.84
	105	62.67	4.80	72.88	5.78	83.06	6.83	96.79	8.37	109.73	10.09	123.62	11.97
	110	62.67	5.32	72.88	6.41	83.06	7.58	96.79	9.32	109.73	11.24	123.62	13.32
115	62.67	5.86	72.88	7.09	83.06	8.42	96.79	10.35	108.77	13.00	112.12	14.06	
118	62.67	6.21	72.88	7.51	83.06	8.92	87.11	9.88	95.60	12.11	96.43	12.82	
60%	25	53.76	2.17	62.46	2.47	71.17	2.77	82.80	3.21	94.63	3.67	106.37	4.15
	30	53.76	2.21	62.46	2.51	71.17	2.83	82.80	3.27	94.63	3.74	106.37	4.24
	35	53.76	2.25	62.46	2.56	71.17	2.89	82.80	3.34	94.63	3.83	106.37	4.34
	40	53.76	2.29	62.46	2.61	71.17	2.94	82.80	3.41	94.63	3.91	106.37	4.43
	45	53.76	2.33	62.46	2.66	71.17	3.00	82.80	3.49	94.63	4.00	106.37	4.54
	50	53.76	2.38	62.46	2.71	71.17	3.06	82.80	3.57	94.63	4.10	106.37	4.66
	55	53.76	2.42	62.46	2.77	71.17	3.14	82.80	3.65	94.63	4.20	106.37	4.77
	60	53.76	2.47	62.46	2.83	71.17	3.21	82.80	3.74	94.63	4.31	106.37	4.89
	65	53.76	2.55	62.46	2.93	71.17	3.33	82.80	3.89	94.63	4.49	106.37	5.09
	70	53.76	2.58	62.46	2.96	71.17	3.37	82.80	3.93	94.63	4.53	106.37	5.16
	75	53.76	2.63	62.46	3.03	71.17	3.45	82.80	4.06	94.63	4.80	106.37	5.60
	80	53.76	2.72	62.46	3.19	71.17	3.70	82.80	4.43	94.63	5.25	106.37	6.13
	85	53.76	2.94	62.46	3.46	71.17	4.02	82.80	4.83	94.63	5.73	106.37	6.71
	90	53.76	3.18	62.46	3.75	71.17	4.37	82.80	5.26	94.63	6.25	106.37	7.32
	95	53.76	3.43	62.46	4.06	71.17	4.73	82.80	5.71	94.63	6.80	106.37	7.98
	100	53.76	3.70	62.46	4.39	71.17	5.13	82.80	6.21	94.63	7.40	106.37	8.69
	105	53.76	4.03	62.46	4.79	71.17	5.61	82.80	6.80	94.63	8.12	106.37	9.55
	110	53.76	4.44	62.46	5.30	71.17	6.21	82.80	7.54	94.63	9.03	106.37	10.64
115	53.76	4.90	62.46	5.85	71.17	6.87	82.80	8.37	94.63	10.03	106.37	11.82	
118	53.76	5.19	62.46	6.20	71.17	7.28	82.80	8.88	87.06	9.78	96.43	11.36	
50%	25	44.85	1.87	52.04	2.09	59.29	2.33	68.81	2.66	79.54	3.01	89.12	3.39
	30	44.85	1.90	52.04	2.13	59.29	2.38	68.81	2.71	79.54	3.07	89.12	3.46
	35	44.85	1.93	52.04	2.17	59.29	2.42	68.81	2.76	79.54	3.13	89.12	3.53
	40	44.85	1.97	52.04	2.21	59.29	2.46	68.81	2.81	79.54	3.20	89.12	3.60
	45	44.85	2.00	52.04	2.25	59.29	2.51	68.81	2.88	79.54	3.27	89.12	3.69
	50	44.85	2.03	52.04	2.28	59.29	2.55	68.81	2.94	79.54	3.34	89.12	3.78
	55	44.85	2.06	52.04	2.33	59.29	2.61	68.81	3.00	79.54	3.42	89.12	3.86
	60	44.85	2.10	52.04	2.38	59.29	2.66	68.81	3.08	79.54	3.50	89.12	3.96
	65	44.85	2.15	52.04	2.46	59.29	2.75	68.81	3.20	79.54	3.65	89.12	4.11
	70	44.85	2.18	52.04	2.47	59.29	2.78	68.81	3.22	79.54	3.66	89.12	3.99
	75	44.85	2.23	52.04	2.52	59.29	2.81	68.81	3.17	79.54	3.71	89.12	4.26
	80	44.85	2.25	52.04	2.58	59.29	2.93	68.81	3.46	79.54	4.04	89.12	4.64
	85	44.85	2.41	52.04	2.79	59.29	3.18	68.81	3.76	79.54	4.39	89.12	5.07
	90	44.85	2.60	52.04	3.01	59.29	3.45	68.81	4.08	79.54	4.78	89.12	5.52
	95	44.85	2.79	52.04	3.25	59.29	3.72	68.81	4.41	79.54	5.18	89.12	6.00
	100	44.85	3.00	52.04	3.49	59.29	4.02	68.81	4.79	79.54	5.62	89.12	6.55
	105	44.85	3.26	52.04	3.80	59.29	4.38	68.81	5.22	79.54	6.15	89.12	7.14
	110	44.85	3.57	52.04	4.18	59.29	4.84	68.81	5.76	79.54	6.82	89.12	7.97
115	44.85	3.94	52.04	4.61	59.29	5.33	68.81	6.39	79.54	7.06	89.12	9.59	
118	44.85	4.18	52.04	4.89	59.29	5.65	68.81	6.78	79.54	7.49	89.12	10.16	

NOTE - Power Input = Compressor + Outdoor Fan Motor.  
MBH = 1000 BTUs per hour.

# HEATING CAPACITY - TWO MODULE - VRA144L4

Combination (%)	Outdoor Temperature (°F)		Indoor Temperature - °F Dry Bulb											
			61		64		67		70		73		75	
	Dry Bulb	Wet Bulb	Total Cap. MBH	Power Input kW	Total Cap. MBH	Power Input kW	Total Cap. MBH	Power Input kW	Total Cap. MBH	Power Input kW	Total Cap. MBH	Power Input kW	Total Cap. MBH	Power Input kW
130%	-13	-13	117.71	25.81	117.46	26.05	117.15	26.24	116.87	26.48	116.60	26.67	116.37	26.77
	-8	-9	126.18	26.91	125.91	27.12	125.58	27.30	125.28	27.51	124.98	27.68	124.74	27.77
	-3	-4	134.48	27.49	134.19	27.67	133.84	27.83	133.52	28.00	133.20	28.14	132.95	28.23
	2	1	142.35	27.57	142.05	27.72	141.68	27.86	141.35	27.99	141.02	28.10	140.76	28.19
	7	6	150.48	26.98	150.18	27.09	149.80	27.20	149.46	27.29	149.14	27.36	148.92	27.42
	12	10	156.18	26.05	155.87	26.11	155.49	26.16	155.15	26.21	154.82	26.25	154.59	26.29
	17	15	157.97	24.40	157.67	24.40	157.30	24.41	156.96	24.41	156.62	24.42	156.35	24.42
	22	20	161.01	22.67	160.71	22.68	160.34	22.68	160.01	22.69	159.68	22.69	159.42	22.69
	27	24	163.69	20.84	163.40	20.85	163.05	20.85	162.73	20.85	162.40	20.86	162.15	20.86
	32	29	168.79	18.43	168.45	18.44	168.13	18.44	167.84	18.44	167.52	18.45	167.27	18.45
	37	34	151.48	15.51	151.11	15.51	150.88	15.52	150.66	15.52	150.34	15.52	150.17	15.52
	42	38	164.79	13.29	164.41	13.29	164.17	13.29	160.07	13.29	158.80	13.30	156.71	13.30
	47	43	179.73	11.52	175.66	11.52	171.58	11.52	167.51	11.52	163.44	11.52	160.72	11.53
	52	47	186.32	11.23	182.25	11.24	178.17	11.24	174.10	11.24	170.02	11.24	167.31	11.24
	57	52	194.55	10.88	190.48	10.88	186.41	10.88	182.33	10.88	178.26	10.89	175.54	10.89
	62	56	201.14	10.60	197.07	10.60	192.99	10.60	188.92	10.60	184.85	10.60	176.92	10.10
	67	61	209.38	10.24	205.30	10.24	201.23	10.24	197.15	10.25	186.23	9.65	176.92	9.09
	72	66	217.61	9.89	213.54	9.89	209.46	9.89	200.20	9.48	186.23	8.70	176.92	8.20
75	69	222.55	9.67	218.48	9.68	214.40	9.68	202.03	9.01	186.23	8.14	176.92	7.67	
120%	-13	-13	117.21	26.19	116.96	26.39	116.76	26.57	116.54	26.79	116.19	26.93	116.04	27.04
	-8	-9	125.64	27.24	125.37	27.43	125.16	27.59	124.92	27.77	124.54	27.90	124.38	28.00
	-3	-4	133.91	27.77	133.62	27.94	133.39	28.06	133.14	28.20	132.74	28.32	132.56	28.40
	2	1	141.75	27.81	141.45	27.94	141.22	28.04	140.95	28.13	140.62	28.23	140.36	28.30
	7	6	149.95	27.17	149.64	27.25	149.35	27.31	149.05	27.37	148.70	27.45	148.43	27.50
	12	10	155.62	26.14	155.31	26.19	155.03	26.22	154.73	26.24	154.39	26.30	154.11	26.32
	17	15	157.57	24.40	157.11	24.41	156.82	24.42	156.55	24.42	156.22	24.43	155.95	24.43
	22	20	160.41	22.68	160.11	22.68	159.88	22.69	159.61	22.69	159.28	22.70	159.02	22.70
	27	24	163.11	20.85	162.82	20.85	162.60	20.85	162.34	20.86	161.92	20.86	161.76	20.86
	32	29	168.22	18.44	167.94	18.44	167.66	18.44	167.38	18.45	166.64	18.45	165.52	18.45
	37	34	150.99	15.51	150.74	15.52	150.45	15.52	150.17	15.52	143.00	15.52	139.16	15.53
	42	38	157.63	13.29	157.39	13.29	157.09	13.29	155.56	13.30	151.78	13.30	147.28	13.30
	47	43	174.30	11.52	170.54	11.52	166.78	11.52	163.02	11.52	159.26	11.53	156.75	11.53
	52	47	180.89	11.24	177.13	11.24	173.37	11.24	169.60	11.24	165.84	11.24	163.31	11.24
	57	52	189.12	10.88	185.36	10.88	181.60	10.88	177.84	10.89	171.91	10.66	163.31	10.03
	62	56	195.71	10.60	191.95	10.60	188.19	10.60	184.43	10.60	171.91	9.76	163.31	9.20
	67	61	203.94	10.24	200.18	10.24	196.42	10.25	184.80	9.56	171.91	8.79	163.31	8.28
	72	66	212.18	9.89	208.42	9.89	197.69	9.34	184.80	8.63	171.91	7.94	163.31	7.49
75	69	217.12	9.68	213.36	9.68	198.46	8.79	184.80	8.07	171.91	7.43	163.31	7.01	
110%	-13	-13	116.77	26.58	116.60	26.70	116.32	26.83	116.04	27.03	115.81	27.15	115.70	27.23
	-8	-9	125.16	27.58	124.98	27.70	124.68	27.82	124.38	27.99	124.14	28.10	124.02	28.18
	-3	-4	133.40	28.05	133.20	28.16	132.88	28.26	132.56	28.39	132.31	28.50	132.18	28.58
	2	1	141.35	28.02	141.05	28.12	140.69	28.19	140.36	28.29	140.16	28.39	139.96	28.46
	7	6	149.46	27.31	149.15	27.39	148.82	27.43	148.51	27.49	148.29	27.57	148.02	27.63
	12	10	155.15	26.22	154.84	26.27	154.50	26.29	154.17	26.32	153.88	26.35	149.70	26.39
	17	15	160.01	24.41	159.70	24.42	159.32	24.42	156.15	24.43	155.03	24.43	149.70	24.44
	22	20	164.76	22.68	164.46	22.69	164.08	22.69	159.02	22.70	157.18	22.70	149.70	22.70
	27	24	169.13	20.85	167.27	20.86	166.95	20.86	161.76	20.86	158.83	20.87	149.70	20.87
	32	29	172.83	18.44	170.83	18.45	170.53	18.45	166.21	18.45	160.02	18.45	149.70	18.46
	37	34	152.01	15.52	151.76	15.52	150.63	15.52	145.13	15.52	137.09	15.53	131.77	15.53
	42	38	162.77	13.29	161.61	13.29	158.70	13.30	151.04	13.30	146.84	13.30	141.85	13.30
	47	43	172.59	11.52	168.78	11.52	163.59	11.52	158.53	11.53	155.08	11.53	149.70	11.14
	52	47	178.95	11.24	174.59	11.24	169.40	11.24	165.11	11.24	157.58	10.77	149.70	10.14
	57	52	185.53	10.88	180.24	10.89	176.79	10.89	169.40	10.48	157.58	9.62	149.70	9.07
	62	56	191.23	10.60	186.83	10.60	181.22	10.39	169.40	9.60	157.58	8.83	149.70	8.32
	67	61	198.51	10.25	193.04	10.07	181.22	9.34	169.40	8.64	157.58	7.95	149.70	7.51
	72	66	204.86	9.74	193.04	9.08	181.22	8.43	169.40	7.81	157.58	7.20	149.70	6.80
75	69	208.66	9.43	193.04	8.48	181.22	7.89	169.40	7.31	157.58	6.74	149.70	6.37	

NOTE - Power Input = Compressor + Outdoor Fan Motor.  
 MBH = 1000 BTUs per hour.

# HEATING CAPACITY - TWO MODULE - VRA144L4

Combination (%)	Outdoor Temperature (°F)		Indoor Temperature - °F Dry Bulb											
			61		64		67		70		73		75	
	Dry Bulb	Wet Bulb	Total Cap. MBH	Power Input kW	Total Cap. MBH	Power Input kW	Total Cap. MBH	Power Input kW	Total Cap. MBH	Power Input kW	Total Cap. MBH	Power Input kW	Total Cap. MBH	Power Input kW
100%	-13	-13	116.37	26.85	116.12	26.99	115.92	27.09	115.70	27.26	115.48	27.99	115.36	33.28
	-8	-9	124.74	27.83	124.47	27.95	124.26	28.05	124.02	28.19	123.78	28.94	123.66	33.34
	-3	-4	132.95	28.26	132.66	28.36	132.44	28.45	132.18	28.56	131.92	29.31	131.80	32.73
	2	1	140.76	28.19	140.46	28.26	140.23	28.34	139.96	28.41	139.69	29.15	136.09	31.55
	7	6	148.84	27.42	148.53	27.48	148.29	27.52	148.02	27.59	143.26	28.27	136.09	29.61
	12	10	154.53	26.29	154.22	26.31	153.98	26.32	153.70	26.37	143.26	26.84	136.09	27.40
	17	15	160.93	24.42	160.62	24.43	159.59	24.43	154.00	24.43	143.26	24.44	136.09	24.44
	22	20	162.57	22.69	162.27	22.69	162.03	22.70	154.00	22.70	143.26	22.71	136.09	22.71
	27	24	164.54	20.86	164.25	20.86	163.30	20.86	154.00	20.87	143.26	20.87	136.09	20.87
	32	29	170.62	18.45	169.45	18.45	164.95	18.45	154.00	18.45	143.26	18.46	136.09	18.46
	37	34	159.96	15.52	155.21	15.52	148.41	15.52	139.21	15.53	131.48	15.53	126.32	15.53
	42	38	168.13	13.30	161.12	13.30	153.90	13.30	145.80	13.30	137.70	13.30	132.30	12.60
	47	43	173.71	11.96	165.77	11.96	158.74	11.96	154.00	11.96	143.26	10.98	136.09	10.34
	52	47	176.99	11.72	170.23	11.72	163.75	11.72	154.00	10.93	143.26	10.04	136.09	9.47
	57	52	181.11	11.46	175.12	11.46	164.74	10.67	154.00	9.86	143.26	9.08	136.09	8.57
	62	56	184.85	11.16	175.49	10.53	164.74	9.78	154.00	9.05	143.26	8.34	136.09	7.87
	67	61	186.23	10.16	175.49	9.47	164.74	8.81	154.00	8.16	143.26	7.53	136.09	7.12
	72	66	186.23	9.16	175.49	8.55	164.74	7.96	154.00	7.38	143.26	6.82	136.09	6.45
	75	69	186.23	8.57	175.49	8.00	164.74	7.46	154.00	6.92	143.26	6.40	136.09	6.06
	90%	-13	-13	113.88	33.22	113.68	33.24	113.46	33.26	113.39	33.27	111.88	33.29	109.19
-8		-9	122.07	33.29	121.85	33.31	121.62	33.32	121.54	33.33	119.92	33.35	117.04	33.36
-3		-4	130.10	32.69	129.87	32.70	129.62	32.71	129.54	32.72	128.93	32.73	122.48	32.74
2		1	139.19	31.52	139.04	31.53	138.80	31.54	138.60	31.55	128.93	31.55	122.48	31.56
7		6	143.35	29.58	143.20	29.59	141.63	29.60	138.60	29.60	128.93	29.61	122.48	29.61
12		10	147.14	27.39	146.71	27.39	143.89	27.40	138.60	27.40	128.93	27.41	122.48	27.41
17		15	153.52	24.43	153.37	24.43	148.27	24.44	138.60	24.44	128.93	24.45	122.48	24.45
22		20	157.98	22.70	157.54	22.70	148.27	22.70	138.60	22.71	128.93	22.71	122.48	22.71
27		24	163.37	20.86	157.75	20.87	148.27	20.87	138.60	20.87	128.93	20.87	122.48	20.88
32		29	164.84	18.45	157.94	18.45	148.27	18.46	138.60	18.46	128.93	18.46	122.48	18.46
37		34	158.65	15.52	151.09	15.53	143.59	15.53	134.72	15.53	128.93	14.95	122.48	14.07
42		38	161.60	13.30	153.90	13.30	146.27	13.30	138.60	12.88	128.93	11.83	122.48	11.15
47		43	163.82	11.53	156.01	11.53	148.27	11.02	138.60	10.18	128.93	9.36	122.48	8.83
52		47	165.84	11.24	157.94	10.80	148.27	10.03	138.60	9.28	128.93	8.54	122.48	8.07
57		52	167.61	10.34	157.94	9.65	148.27	8.97	138.60	8.31	128.93	7.66	122.48	7.24
62		56	167.61	9.48	157.94	8.85	148.27	8.23	138.60	7.63	128.93	7.05	122.48	6.67
67		61	167.61	8.53	157.94	7.98	148.27	7.43	138.60	6.90	128.93	6.38	122.48	6.04
72		66	167.61	7.71	157.94	7.22	148.27	6.73	138.60	6.25	128.93	5.79	122.48	5.49
75		69	167.61	7.22	157.94	6.76	148.27	6.31	138.60	5.87	128.93	5.44	122.48	5.15
80%		-13	-13	111.60	33.25	111.40	33.27	111.19	33.28	111.12	33.30	109.64	33.31	107.01
	-8	-9	120.35	33.32	118.82	33.33	117.27	33.34	115.84	33.36	113.25	33.37	108.87	33.38
	-3	-4	130.51	32.71	127.64	32.72	124.77	32.73	121.98	32.74	114.60	32.75	108.87	32.76
	2	1	135.25	31.54	131.21	31.54	127.17	31.55	123.20	31.56	114.60	31.57	108.87	31.57
	7	6	138.35	29.60	133.29	29.60	128.22	29.61	123.20	29.61	114.60	29.62	108.87	29.62
	12	10	141.16	27.40	135.17	27.40	129.18	27.41	123.20	27.41	114.60	27.42	108.87	27.42
	17	15	143.73	24.44	136.89	24.44	130.04	24.44	123.20	24.45	114.60	24.45	108.87	24.45
	22	20	143.73	22.70	136.89	22.71	130.04	22.71	123.20	22.71	114.60	22.72	108.87	22.72
	27	24	143.73	20.87	136.89	20.87	130.04	20.87	123.20	20.88	114.60	20.88	108.87	20.66
	32	29	143.73	18.46	136.89	18.46	130.04	18.46	123.20	18.46	114.60	17.23	108.87	16.22
	37	34	143.73	15.53	136.89	15.53	130.04	15.35	123.20	14.17	114.60	13.03	108.87	12.29
	42	38	143.73	13.30	136.89	13.08	130.04	12.14	123.20	11.22	114.60	10.33	108.87	9.75
	47	43	143.73	11.08	136.89	10.33	130.04	9.60	123.20	8.89	114.60	8.20	108.87	7.75
	52	47	143.73	10.08	136.89	9.41	130.04	8.76	123.20	8.12	114.60	7.50	108.87	7.09
	57	52	143.73	9.02	136.89	8.43	130.04	7.85	123.20	7.29	114.60	6.74	108.87	6.38
	62	56	143.73	8.28	136.89	7.74	130.04	7.22	123.20	6.71	114.60	6.21	108.87	5.89
	67	61	143.73	7.47	136.89	6.99	130.04	6.53	123.20	6.08	114.60	5.63	108.87	5.34
	72	66	143.73	6.76	136.89	6.34	130.04	5.93	123.20	5.52	114.60	5.12	108.87	4.86
	75	69	143.73	6.34	136.89	5.95	130.04	5.56	123.20	5.19	114.60	4.82	108.87	4.58

NOTE - Power Input = Compressor + Outdoor Fan Motor.  
 MBH = 1000 BTUs per hour.



# HEATING CAPACITY - TWO MODULE - VRA144L4

Combination (%)	Outdoor Temperature (°F)		Indoor Temperature - °F Dry Bulb											
			61		64		67		70		73		75	
	Dry Bulb	Wet Bulb	Total Cap. MBH	Power Input kW	Total Cap. MBH	Power Input kW	Total Cap. MBH	Power Input kW	Total Cap. MBH	Power Input kW	Total Cap. MBH	Power Input kW	Total Cap. MBH	Power Input kW
70%	-13	-13	108.27	33.29	108.08	33.30	107.87	33.31	107.80	33.32	100.28	33.34	95.27	33.34
	-8	-9	112.01	33.35	110.57	33.36	109.14	33.37	107.80	33.38	100.28	33.39	95.27	33.40
	-3	-4	115.35	32.73	112.80	32.74	110.26	32.75	107.80	32.76	100.28	32.77	95.27	32.77
	2	1	118.33	31.55	114.79	31.56	111.27	31.57	107.80	31.57	100.28	31.58	95.27	31.58
	7	6	121.02	29.61	116.58	29.61	112.18	29.62	107.80	29.62	100.28	29.63	95.27	29.63
	12	10	123.46	27.41	118.20	27.41	113.01	27.42	107.80	27.42	100.28	27.42	95.27	27.43
	17	15	125.67	24.44	119.68	24.45	113.76	24.45	107.80	24.45	100.28	24.46	95.27	24.46
	22	20	125.67	22.71	119.68	22.71	113.76	22.72	107.80	22.72	100.28	22.64	95.27	21.31
	27	24	125.67	20.87	119.68	20.88	113.76	20.88	107.80	20.41	100.28	18.75	95.27	17.66
	32	29	125.67	18.46	119.68	18.46	113.76	17.35	107.80	16.04	100.28	14.76	95.27	13.93
	37	34	125.67	15.15	119.68	14.12	113.76	13.12	107.80	12.15	100.28	11.20	95.27	10.59
	42	38	125.67	11.98	119.68	11.18	113.76	10.40	107.80	9.65	100.28	8.91	95.27	8.42
	47	43	125.67	9.48	119.68	8.86	113.76	8.26	107.80	7.67	100.28	7.09	95.27	6.72
	52	47	125.67	8.65	119.68	8.09	113.76	7.55	107.80	7.02	100.28	6.50	95.27	6.16
	57	52	125.67	7.76	119.68	7.27	113.76	6.79	107.80	6.32	100.28	5.86	95.27	5.56
	62	56	125.67	7.14	119.68	6.69	113.76	6.25	107.80	5.83	100.28	5.41	95.27	5.14
	67	61	125.67	6.45	119.68	6.06	113.76	5.67	107.80	5.29	100.28	4.91	95.27	4.67
72	66	125.67	5.86	119.68	5.50	113.76	5.15	107.80	4.81	100.28	4.48	95.27	4.26	
75	69	125.67	5.50	119.68	5.17	113.76	4.85	107.80	4.53	100.28	4.22	95.27	4.02	
60%	-13	-13	92.80	33.32	92.64	33.33	92.46	33.34	92.40	33.35	85.95	33.36	81.66	33.37
	-8	-9	95.71	33.37	94.58	33.38	93.44	33.39	92.40	33.40	85.95	33.41	81.66	33.42
	-3	-4	98.43	32.75	96.40	32.76	94.37	32.77	92.40	32.78	85.95	32.78	81.66	32.79
	2	1	100.99	31.57	98.11	31.57	95.23	31.58	92.40	31.59	85.95	31.59	81.66	31.60
	7	6	103.40	29.62	99.72	29.63	96.04	29.63	92.40	29.64	85.95	29.64	81.66	29.64
	12	10	105.66	27.42	101.24	27.42	96.81	27.43	92.40	27.43	85.95	27.43	81.66	27.43
	17	15	107.80	24.45	102.67	24.46	97.53	24.46	92.40	24.46	85.95	23.49	81.66	22.11
	22	20	109.25	22.72	104.05	22.72	98.85	22.26	92.40	20.56	85.95	18.90	81.66	17.83
	27	24	110.34	20.88	104.57	19.85	98.85	18.43	92.40	17.05	85.95	15.71	81.66	14.84
	32	29	111.74	16.72	104.88	15.61	98.85	14.52	92.40	13.46	85.95	12.43	81.66	11.75
	37	34	111.74	12.66	104.99	11.83	98.85	11.02	92.40	10.24	85.95	9.47	81.66	8.97
	42	38	111.74	10.04	105.09	9.40	98.85	8.77	92.40	8.15	85.95	7.55	81.66	7.16
	47	43	111.74	7.97	105.29	7.47	98.85	6.98	92.40	6.50	85.95	6.03	81.66	5.73
	52	47	111.74	7.29	105.29	6.84	98.85	6.40	92.40	5.97	85.95	5.54	81.66	5.27
	57	52	111.74	6.56	105.29	6.16	98.85	5.77	92.40	5.39	85.95	5.01	81.66	4.77
	62	56	111.74	6.05	105.29	5.69	98.85	5.33	92.40	4.98	85.95	4.64	81.66	4.42
	67	61	111.74	5.49	105.29	5.16	98.85	4.84	92.40	4.53	85.95	4.23	81.66	4.03
72	66	111.74	4.99	105.29	4.70	98.85	4.42	92.40	4.14	85.95	3.86	81.66	3.68	
75	69	111.74	4.70	105.29	4.43	98.85	4.16	92.40	3.90	85.95	3.65	81.66	3.48	
50%	-13	-13	77.34	33.35	77.20	33.36	77.05	33.37	77.00	33.37	71.63	33.38	68.05	33.39
	-8	-9	79.56	33.40	79.03	33.41	77.97	33.41	77.00	33.42	71.63	33.43	68.05	33.43
	-3	-4	81.75	32.78	80.82	32.78	78.88	32.79	77.00	32.79	71.63	32.80	68.05	32.80
	2	1	83.90	31.59	82.60	31.59	79.77	31.59	77.00	31.60	71.63	31.60	68.05	31.61
	7	6	86.02	29.63	84.34	29.64	80.65	29.64	77.00	29.65	71.63	29.65	68.05	29.65
	12	10	88.10	27.43	86.05	27.43	81.52	27.43	77.00	27.30	71.63	25.06	68.05	23.61
	17	15	90.16	24.46	87.74	24.07	82.37	22.34	77.00	20.65	71.63	19.02	68.05	17.95
	22	20	93.12	20.74	87.74	19.36	82.37	18.01	77.00	16.69	71.63	15.41	68.05	14.57
	27	24	93.12	17.20	87.74	16.08	82.37	14.98	77.00	13.91	71.63	12.86	68.05	12.18
	32	29	93.12	13.58	87.74	12.71	82.37	11.86	77.00	11.04	71.63	10.23	68.05	9.70
	37	34	93.12	10.32	87.74	9.68	82.37	9.05	77.00	8.44	71.63	7.83	68.05	7.44
	42	38	93.12	8.22	87.74	7.72	82.37	7.22	77.00	6.74	71.63	6.27	68.05	5.96
	47	43	93.12	6.56	87.74	6.16	82.37	5.78	77.00	5.40	71.63	5.03	68.05	4.79
	52	47	93.12	6.02	87.74	5.66	82.37	5.31	77.00	4.97	71.63	4.64	68.05	4.42
	57	52	93.12	5.43	87.74	5.12	82.37	4.81	77.00	4.50	71.63	4.21	68.05	4.01
	62	56	93.12	5.02	87.74	4.73	82.37	4.45	77.00	4.18	71.63	3.90	68.05	3.73
	67	61	93.12	4.57	87.74	4.31	82.37	4.06	77.00	3.81	71.63	3.57	68.05	3.41
72	66	93.12	4.17	87.74	3.94	82.37	3.71	77.00	3.49	71.63	3.27	68.05	3.13	
75	69	93.12	3.93	87.74	3.72	82.37	3.50	77.00	3.30	71.63	3.09	68.05	2.96	

NOTE - Power Input = Compressor + Outdoor Fan Motor.  
 MBH = 1000 BTUs per hour.



## COOLING CAPACITY - TWO MODULE - VRA168L4

Combination (%)	Outdoor Temperature °F (Dry Bulb)	Indoor Temperature - °F (Dry Bulb / Wet Bulb)											
		67 / 57		71 / 60		75 / 63		80 / 67		85 / 71		90 / 75	
		Total Cap.	Power Input	Total Cap.	Power Input	Total Cap.	Power Input	Total Cap.	Power Input	Total Cap.	Power Input	Total Cap.	Power Input
		MBH	kW	MBH	kW	MBH	kW	MBH	kW	MBH	kW	MBH	kW
130%	25	136.97	5.37	158.68	6.36	180.70	7.38	210.28	8.79	227.71	8.80	233.71	9.04
	30	136.97	5.49	158.68	6.51	180.70	7.56	210.28	9.00	224.27	9.02	229.57	9.26
	35	136.97	5.62	158.68	6.67	180.70	7.74	210.28	9.22	220.41	9.25	226.20	9.48
	40	136.97	5.75	158.68	6.83	180.70	7.93	210.28	9.45	216.55	9.48	222.82	9.71
	45	136.97	5.89	158.68	7.00	180.70	8.14	207.39	9.41	213.18	9.51	218.96	9.78
	50	136.97	6.03	158.68	7.18	180.70	8.34	204.50	9.38	209.80	9.58	215.11	9.85
	55	136.97	6.20	158.68	7.36	180.70	8.56	200.88	9.31	206.18	9.66	211.49	10.00
	60	136.97	6.36	158.68	7.56	180.70	8.79	196.78	9.40	202.57	9.73	207.87	10.32
	65	136.97	6.63	158.68	7.93	180.70	9.42	189.78	10.12	196.78	10.29	202.08	10.53
	70	136.97	6.78	158.68	8.43	178.77	10.00	189.06	10.59	195.33	10.89	200.64	10.99
	75	136.97	7.45	158.68	9.28	176.20	10.71	186.17	11.23	191.47	11.50	196.78	11.61
	80	136.97	8.17	158.68	10.18	173.79	11.48	182.55	11.90	187.86	12.06	193.16	12.23
	85	136.97	8.94	158.68	11.14	171.38	12.27	178.93	12.58	184.24	12.74	189.54	12.90
	90	136.97	9.76	158.68	12.16	168.97	13.08	174.59	13.25	180.62	13.45	185.20	13.57
	95	136.97	10.65	156.51	12.95	165.59	13.78	170.73	14.03	176.52	14.14	177.49	14.14
	100	136.97	11.63	153.79	13.70	161.97	14.47	166.63	14.68	168.80	14.68	168.80	14.68
	105	136.97	12.77	150.72	14.61	157.44	15.32	159.16	15.36	159.48	15.36	159.80	15.36
	110	136.97	14.25	147.10	15.71	150.48	16.19	150.48	16.19	150.48	16.19	150.48	16.19
115	129.26	16.41	129.98	16.41	130.22	16.41	130.22	16.41	131.19	16.41	131.19	16.52	
118	111.16	14.96	111.78	14.96	111.99	14.96	111.99	14.96	112.82	14.96	112.82	15.06	
120%	25	126.36	4.92	146.62	5.81	166.88	6.74	194.85	8.02	220.55	8.57	229.85	8.90
	30	126.36	5.03	146.62	5.95	166.88	6.89	194.85	8.20	218.48	8.77	225.72	9.12
	35	126.36	5.14	146.62	6.09	166.88	7.06	194.85	8.41	216.07	8.99	222.34	9.34
	40	126.36	5.26	146.62	6.23	166.88	7.23	194.85	8.61	213.66	9.20	218.96	9.56
	45	126.36	5.39	146.62	6.39	166.88	7.41	194.85	8.84	209.80	9.32	215.11	9.64
	50	126.36	5.52	146.62	6.54	166.88	7.60	194.85	9.06	205.94	9.44	211.25	9.71
	55	126.36	5.66	146.62	6.71	166.88	7.80	194.85	9.30	202.32	9.51	207.63	9.85
	60	126.36	5.81	146.62	6.90	166.88	8.02	193.40	9.46	198.71	9.58	204.01	10.17
	65	126.36	6.06	146.62	7.20	166.88	8.47	187.61	9.89	192.92	10.14	198.23	10.38
	70	126.36	6.13	146.62	7.52	166.88	9.06	186.17	10.54	191.47	10.73	196.78	10.83
	75	126.36	6.67	146.62	8.26	166.88	9.97	182.31	11.23	187.61	11.33	192.92	11.44
	80	126.36	7.31	146.62	9.06	166.71	10.97	178.69	11.90	184.00	12.01	189.30	12.12
	85	126.36	7.99	146.62	9.91	165.27	11.83	175.07	12.58	180.38	12.68	185.69	12.79
	90	126.36	8.72	146.62	10.84	162.86	12.61	171.46	13.25	176.76	13.36	182.07	13.47
	95	126.36	9.50	146.62	11.85	160.45	13.42	167.84	13.93	173.15	14.09	177.49	14.14
	100	126.36	10.36	146.62	12.97	158.03	14.28	164.22	14.60	168.08	14.68	168.80	14.68
	105	126.36	11.41	146.14	14.16	155.51	15.20	158.84	15.36	159.48	15.36	159.80	15.36
	110	126.36	12.74	143.73	15.33	150.16	16.19	150.48	16.19	150.48	16.19	150.48	16.19
115	126.36	14.14	129.26	15.84	130.22	16.41	130.22	16.41	131.19	16.41	131.19	16.52	
118	111.16	13.19	111.78	14.52	111.99	14.96	111.99	14.96	112.82	14.96	112.82	15.06	
110%	25	115.75	4.48	134.56	5.28	153.05	6.10	178.45	7.25	203.05	8.44	225.99	8.77
	30	115.75	4.58	134.56	5.39	153.05	6.24	178.45	7.42	203.05	8.64	221.86	8.98
	35	115.75	4.68	134.56	5.52	153.05	6.39	178.45	7.60	203.05	8.85	218.48	9.20
	40	115.75	4.79	134.56	5.65	153.05	6.54	178.45	7.78	203.05	9.07	215.11	9.42
	45	115.75	4.91	134.56	5.79	153.05	6.71	178.45	7.98	201.60	9.18	211.25	9.49
	50	115.75	5.02	134.56	5.93	153.05	6.88	178.45	8.18	200.15	9.30	207.39	9.57
	55	115.75	5.14	134.56	6.09	153.05	7.06	178.45	8.40	198.23	9.37	203.77	9.70
	60	115.75	5.28	134.56	6.25	153.05	7.25	178.45	8.63	195.33	9.44	200.15	10.02
	65	115.75	5.49	134.56	6.52	153.05	7.56	178.45	9.22	189.54	9.99	194.37	10.22
	70	115.75	5.56	134.56	6.68	153.05	7.98	178.45	9.95	188.10	10.57	192.92	10.67
	75	115.75	5.94	134.56	7.31	153.05	8.78	178.45	11.01	184.24	11.23	189.06	11.33
	80	115.75	6.50	134.56	8.01	153.05	9.64	175.80	11.79	180.62	11.90	185.44	12.01
	85	115.75	7.09	134.56	8.76	153.05	10.55	172.18	12.47	177.00	12.58	181.83	12.68
	90	115.75	7.74	134.56	9.57	153.05	11.53	168.56	13.14	173.39	13.25	178.21	13.36
	95	115.75	8.42	134.56	10.44	153.05	12.63	164.95	13.82	169.77	13.98	174.59	14.14
	100	115.75	9.17	134.56	11.36	151.92	13.62	161.33	14.49	165.91	14.64	168.80	14.68
	105	115.75	10.06	134.56	12.50	149.62	14.54	157.87	15.33	159.48	15.36	159.80	15.36
	110	115.75	11.23	134.56	13.98	147.26	15.76	150.48	16.19	150.48	16.19	150.48	16.19
115	115.75	12.41	126.60	15.41	130.22	16.41	130.22	16.41	131.19	16.41	131.19	16.52	
118	111.16	12.64	111.78	14.42	111.99	14.96	111.99	14.96	112.82	14.96	112.82	15.06	

NOTE - Power Input = Compressor + Outdoor Fan Motor.  
MBH = 1000 BTUs per hour.

## COOLING CAPACITY - TWO MODULE - VRA168L4

Combination (%)	Outdoor Temperature °F (Dry Bulb)	Indoor Temperature - °F (Dry Bulb / Wet Bulb)											
		67 / 57		71 / 60		75 / 63		80 / 67		85 / 71		90 / 75	
		Total Cap.	Power Input	Total Cap.	Power Input	Total Cap.	Power Input	Total Cap.	Power Input	Total Cap.	Power Input	Total Cap.	Power Input
		MBH	kW	MBH	kW	MBH	kW	MBH	kW	MBH	kW	MBH	kW
100%	25	105.14	4.06	122.50	4.76	139.22	5.48	160.00	6.50	184.72	7.56	207.39	8.64
	30	105.14	4.15	122.50	4.87	139.22	5.61	160.00	6.65	184.72	7.73	207.39	8.85
	35	105.14	4.24	122.50	4.98	139.22	5.74	160.00	6.81	184.72	7.93	207.39	9.07
	40	105.14	4.33	122.50	5.09	139.22	5.88	160.00	6.97	184.72	8.12	207.39	9.28
	45	105.14	4.43	122.50	5.21	139.22	6.02	160.00	7.15	184.72	8.33	205.46	9.35
	50	105.14	4.53	122.50	5.34	139.22	6.17	160.00	7.33	184.72	8.54	203.53	9.42
	55	105.14	4.64	122.50	5.47	139.22	6.33	160.00	7.52	184.72	8.76	199.91	9.56
	60	105.14	4.76	122.50	5.61	139.22	6.50	160.00	7.73	184.72	9.00	196.30	9.87
	65	105.14	4.95	122.50	5.85	139.22	6.78	160.00	8.07	184.36	9.64	190.51	10.07
	70	105.14	5.01	122.50	5.92	139.22	6.98	160.00	8.65	182.31	10.27	189.06	10.58
	75	105.14	5.25	122.50	6.41	139.22	7.66	160.00	9.51	180.86	11.12	185.20	11.23
	80	105.14	5.73	122.50	7.02	139.22	8.41	160.00	10.44	177.25	11.83	181.59	11.90
	85	105.14	6.25	122.50	7.67	139.22	9.20	160.00	11.44	173.63	12.47	177.97	12.58
	90	105.14	6.81	122.50	8.36	139.22	10.04	160.00	12.52	170.01	13.14	174.35	13.25
	95	105.14	7.41	122.50	9.12	139.22	11.00	160.00	13.89	166.39	13.87	170.73	13.93
	100	105.14	8.05	122.50	9.94	139.22	11.96	158.44	14.38	162.29	14.55	166.63	14.68
	105	105.14	8.83	122.50	10.92	139.22	13.18	154.98	15.22	158.52	15.35	159.80	15.36
	110	105.14	9.81	122.50	12.17	139.22	14.68	150.48	16.19	150.48	16.19	150.48	16.19
115	105.14	10.90	122.50	13.49	129.58	15.72	130.22	16.41	131.19	16.41	131.19	16.52	
118	105.14	11.56	107.80	12.59	111.99	14.41	111.99	14.96	112.82	14.96	112.82	15.06	
90%	25	94.63	3.65	109.75	4.26	125.08	4.89	145.65	5.77	166.39	6.70	187.13	7.65
	30	94.63	3.72	109.75	4.35	125.08	4.99	145.65	5.90	166.39	6.85	187.13	7.84
	35	94.63	3.81	109.75	4.44	125.08	5.11	145.65	6.05	166.39	7.02	187.13	8.03
	40	94.63	3.89	109.75	4.54	125.08	5.23	145.65	6.19	166.39	7.18	187.13	8.21
	45	94.63	3.97	109.75	4.65	125.08	5.36	145.65	6.34	166.39	7.37	187.13	8.43
	50	94.63	4.06	109.75	4.76	125.08	5.48	145.65	6.50	166.39	7.56	187.13	8.65
	55	94.63	4.16	109.75	4.88	125.08	5.63	145.65	6.66	166.39	7.75	187.13	8.88
	60	94.63	4.26	109.75	5.00	125.08	5.77	145.65	6.84	166.39	7.97	187.13	9.11
	65	94.63	4.42	109.75	5.20	125.08	6.02	145.65	7.15	166.39	8.37	187.13	9.85
	70	94.63	4.47	109.75	5.26	125.08	6.09	145.65	7.43	166.39	8.99	185.20	10.50
	75	94.63	4.60	109.75	5.57	125.08	6.62	145.65	8.16	166.39	9.89	181.34	11.12
	80	94.63	5.02	109.75	6.09	125.08	7.25	145.65	8.96	166.39	10.85	177.73	11.79
	85	94.63	5.47	109.75	6.65	125.08	7.93	145.65	9.81	165.91	11.85	174.11	12.47
	90	94.63	5.95	109.75	7.25	125.08	8.65	145.65	10.72	164.34	12.78	170.49	13.14
	95	94.63	6.46	109.75	7.89	125.08	9.43	145.65	11.66	162.53	13.71	166.88	13.82
	100	94.63	7.01	109.75	8.58	125.08	10.28	145.65	12.76	159.40	14.44	163.26	14.49
	105	94.63	7.68	109.75	9.42	125.08	11.30	145.65	14.07	155.30	15.24	159.16	15.33
	110	94.63	8.52	109.75	10.47	125.08	12.56	145.65	15.76	150.48	16.19	150.48	16.19
115	94.63	9.45	109.75	11.67	125.08	15.08	130.22	16.41	131.19	16.41	131.19	16.52	
118	94.63	10.01	107.55	12.12	108.82	13.90	111.99	14.96	112.82	14.96	112.82	15.06	
80%	25	84.11	3.26	97.71	3.78	111.25	4.31	129.26	5.07	148.07	5.86	165.91	6.68
	30	84.11	3.32	97.71	3.86	111.25	4.40	129.26	5.18	148.07	5.99	165.91	6.83
	35	84.11	3.39	97.71	3.94	111.25	4.51	129.26	5.30	148.07	6.14	165.91	7.00
	40	84.11	3.47	97.71	4.02	111.25	4.61	129.26	5.42	148.07	6.28	165.91	7.17
	45	84.11	3.54	97.71	4.12	111.25	4.71	129.26	5.55	148.07	6.44	165.91	7.36
	50	84.11	3.62	97.71	4.21	111.25	4.82	129.26	5.69	148.07	6.60	165.91	7.55
	55	84.11	3.69	97.71	4.31	111.25	4.94	129.26	5.84	148.07	6.77	165.91	7.74
	60	84.11	3.78	97.71	4.41	111.25	5.07	129.26	5.99	148.07	6.95	165.91	7.95
	65	84.11	3.92	97.71	4.58	111.25	5.28	129.26	6.24	148.07	7.25	165.91	8.34
	70	84.11	3.96	97.71	4.63	111.25	5.33	129.26	6.31	148.07	7.58	165.91	8.96
	75	84.11	4.06	97.71	4.81	111.25	5.66	129.26	6.92	148.07	8.33	165.91	9.87
	80	84.11	4.35	97.71	5.24	111.25	6.19	129.26	7.59	148.07	9.14	165.91	10.84
	85	84.11	4.73	97.71	5.71	111.25	6.76	129.26	8.30	148.07	10.00	165.91	11.87
	90	84.11	5.14	97.71	6.21	111.25	7.36	129.26	9.05	148.07	10.95	165.91	12.95
	95	84.11	5.57	97.71	6.75	111.25	8.02	129.26	9.88	148.07	11.98	163.02	13.71
	100	84.11	6.05	97.71	7.33	111.25	8.72	129.26	10.77	148.07	13.03	159.40	14.38
	105	84.11	6.60	97.71	8.04	111.25	9.57	129.26	11.84	148.07	14.38	155.30	15.22
	110	84.11	7.32	97.71	8.92	111.25	10.64	129.26	13.17	146.62	15.76	150.48	16.19
115	84.11	8.10	97.71	9.89	111.25	11.85	129.26	14.68	131.19	16.41	131.19	16.52	
118	84.11	8.58	97.71	10.49	108.82	12.28	111.99	13.48	112.82	14.96	112.82	15.06	

NOTE - Power Input = Compressor + Outdoor Fan Motor.  
MBH = 1000 BTUs per hour.

# COOLING CAPACITY - TWO MODULE - VRA168L4

Combination (%)	Outdoor Temperature °F (Dry Bulb)	Indoor Temperature - °F (Dry Bulb / Wet Bulb)											
		67 / 57		71 / 60		75 / 63		80 / 67		85 / 71		90 / 75	
		Total Cap.	Power Input	Total Cap.	Power Input	Total Cap.	Power Input	Total Cap.	Power Input	Total Cap.	Power Input	Total Cap.	Power Input
		MBH	kW	MBH	kW	MBH	kW	MBH	kW	MBH	kW	MBH	kW
70%	25	73.60	2.89	85.54	3.32	97.36	3.77	113.82	4.40	129.26	5.06	145.65	5.74
	30	73.60	2.95	85.54	3.38	97.36	3.84	113.82	4.49	129.26	5.17	145.65	5.87
	35	73.60	3.00	85.54	3.45	97.36	3.93	113.82	4.59	129.26	5.29	145.65	6.01
	40	73.60	3.05	85.54	3.52	97.36	4.01	113.82	4.68	129.26	5.41	145.65	6.15
	45	73.60	3.12	85.54	3.60	97.36	4.10	113.82	4.80	129.26	5.54	145.65	6.31
	50	73.60	3.18	85.54	3.68	97.36	4.19	113.82	4.91	129.26	5.68	145.65	6.47
	55	73.60	3.25	85.54	3.76	97.36	4.29	113.82	5.03	129.26	5.82	145.65	6.64
	60	73.60	3.32	85.54	3.85	97.36	4.39	113.82	5.16	129.26	5.98	145.65	6.82
	65	73.60	3.44	85.54	3.99	97.36	4.56	113.82	5.38	129.26	6.23	145.65	7.11
	70	73.60	3.48	85.54	4.03	97.36	4.62	113.82	5.44	129.26	6.32	145.65	7.38
	75	73.60	3.56	85.54	4.14	97.36	4.78	113.82	5.79	129.26	6.91	145.65	8.12
	80	73.60	3.74	85.54	4.45	97.36	5.21	113.82	6.33	129.26	7.57	145.65	8.91
	85	73.60	4.06	85.54	4.84	97.36	5.68	113.82	6.91	129.26	8.27	145.65	9.75
	90	73.60	4.40	85.54	5.26	97.36	6.18	113.82	7.53	129.26	9.03	145.65	10.70
	95	73.60	4.76	85.54	5.71	97.36	6.72	113.82	8.20	129.26	9.85	145.65	11.66
	100	73.60	5.15	85.54	6.19	97.36	7.30	113.82	8.93	129.26	10.73	145.65	12.74
	105	73.60	5.62	85.54	6.76	97.36	7.99	113.82	9.79	129.26	11.82	145.65	14.03
	110	73.60	6.22	85.54	7.50	97.36	8.87	113.82	10.90	129.26	13.12	145.65	15.65
115	73.60	6.87	85.54	8.30	97.36	9.84	113.82	12.09	128.29	15.22	131.19	16.52	
118	73.60	7.28	85.54	8.80	97.36	10.43	102.44	11.53	112.82	14.19	112.82	15.06	
60%	25	63.08	2.54	73.36	2.89	83.60	3.25	97.42	3.76	110.45	4.29	124.43	4.85
	30	63.08	2.58	73.36	2.94	83.60	3.31	97.42	3.83	110.45	4.38	124.43	4.95
	35	63.08	2.63	73.36	2.99	83.60	3.37	97.42	3.91	110.45	4.48	124.43	5.07
	40	63.08	2.68	73.36	3.05	83.60	3.44	97.42	3.99	110.45	4.58	124.43	5.19
	45	63.08	2.73	73.36	3.11	83.60	3.52	97.42	4.09	110.45	4.69	124.43	5.32
	50	63.08	2.77	73.36	3.17	83.60	3.59	97.42	4.18	110.45	4.80	124.43	5.44
	55	63.08	2.83	73.36	3.24	83.60	3.67	97.42	4.27	110.45	4.91	124.43	5.58
	60	63.08	2.89	73.36	3.31	83.60	3.75	97.42	4.38	110.45	5.04	124.43	5.73
	65	63.08	2.99	73.36	3.43	83.60	3.90	97.42	4.54	110.45	5.24	124.43	5.96
	70	63.08	3.01	73.36	3.47	83.60	3.94	97.42	4.60	110.45	5.31	124.43	6.03
	75	63.08	3.08	73.36	3.55	83.60	4.03	97.42	4.75	110.45	5.62	124.43	6.55
	80	63.08	3.18	73.36	3.73	83.60	4.32	97.42	5.19	110.45	6.14	124.43	7.18
	85	63.08	3.44	73.36	4.05	83.60	4.70	97.42	5.66	110.45	6.71	124.43	7.84
	90	63.08	3.72	73.36	4.39	83.60	5.11	97.42	6.15	110.45	7.31	124.43	8.56
	95	63.08	4.02	73.36	4.75	83.60	5.54	97.42	6.68	110.45	7.95	124.43	9.33
	100	63.08	4.33	73.36	5.14	83.60	6.00	97.42	7.26	110.45	8.65	124.43	10.17
	105	63.08	4.71	73.36	5.61	83.60	6.56	97.42	7.95	110.45	9.49	124.43	11.19
	110	63.08	5.20	73.36	6.20	83.60	7.26	97.42	8.83	110.45	10.56	124.43	12.41
115	63.08	5.73	73.36	6.85	83.60	8.04	97.42	9.79	110.45	11.71	124.43	13.82	
118	63.08	6.08	73.36	7.26	83.60	8.52	97.42	10.38	101.61	11.42	112.82	13.28	
50%	25	52.57	2.19	61.18	2.45	69.84	2.73	81.03	3.11	91.64	3.53	103.21	3.95
	30	52.57	2.21	61.18	2.49	69.84	2.77	81.03	3.17	91.64	3.59	103.21	4.04
	35	52.57	2.26	61.18	2.53	69.84	2.82	81.03	3.24	91.64	3.67	103.21	4.13
	40	52.57	2.30	61.18	2.57	69.84	2.87	81.03	3.30	91.64	3.75	103.21	4.23
	45	52.57	2.33	61.18	2.62	69.84	2.93	81.03	3.37	91.64	3.83	103.21	4.32
	50	52.57	2.36	61.18	2.66	69.84	2.99	81.03	3.44	91.64	3.92	103.21	4.42
	55	52.57	2.40	61.18	2.73	69.84	3.05	81.03	3.52	91.64	4.01	103.21	4.51
	60	52.57	2.46	61.18	2.78	69.84	3.11	81.03	3.59	91.64	4.10	103.21	4.64
	65	52.57	2.54	61.18	2.88	69.84	3.23	81.03	3.71	91.64	4.26	103.21	4.82
	70	52.57	2.55	61.18	2.90	69.84	3.26	81.03	3.76	91.64	4.29	103.21	4.68
	75	52.57	2.59	61.18	2.96	69.84	3.29	81.03	3.71	91.64	4.33	103.21	4.99
	80	52.57	2.62	61.18	3.02	69.84	3.43	81.03	4.04	91.64	4.72	103.21	5.45
	85	52.57	2.83	61.18	3.26	69.84	3.72	81.03	4.40	91.64	5.14	103.21	5.93
	90	52.57	3.04	61.18	3.52	69.84	4.03	81.03	4.77	91.64	5.59	103.21	6.42
	95	52.57	3.27	61.18	3.80	69.84	4.35	81.03	5.16	91.64	6.05	103.21	7.00
	100	52.57	3.51	61.18	4.09	69.84	4.70	81.03	5.59	91.64	6.57	103.21	7.60
	105	52.57	3.81	61.18	4.45	69.84	5.13	81.03	6.11	91.64	7.17	103.21	8.36
	110	52.57	4.19	61.18	4.90	69.84	5.66	81.03	6.76	91.64	8.01	103.21	9.18
115	52.57	4.60	61.18	5.40	69.84	6.24	81.03	7.49	91.64	8.20	103.21	11.12	
118	52.57	4.87	61.18	5.72	69.84	6.62	81.03	7.94	91.64	8.70	103.21	11.79	

NOTE - Power Input = Compressor + Outdoor Fan Motor.  
MBH = 1000 BTUs per hour.

# HEATING CAPACITY - TWO MODULE - VRA168L4

Combination (%)	Outdoor Temperature (°F)		Indoor Temperature - °F Dry Bulb											
			61		64		67		70		73		75	
	Dry Bulb	Wet Bulb	Total Cap. MBH	Power Input kW	Total Cap. MBH	Power Input kW	Total Cap. MBH	Power Input kW	Total Cap. MBH	Power Input kW	Total Cap. MBH	Power Input kW	Total Cap. MBH	Power Input kW
130%	-13	-13	133.33	27.21	132.98	27.84	132.61	28.41	132.24	28.96	131.87	29.50	131.58	29.80
	-8	-9	142.84	29.04	142.46	29.59	142.07	30.10	141.67	30.59	141.27	31.05	140.96	31.33
	-3	-4	152.10	30.13	151.70	30.58	151.28	31.00	150.85	31.39	150.43	31.77	150.10	32.00
	2	1	161.58	30.77	161.17	31.10	160.70	31.42	160.32	31.71	159.85	31.99	159.56	32.17
	7	6	171.12	30.58	170.70	30.80	170.19	31.01	169.78	31.20	169.31	31.37	169.04	31.50
	12	10	179.28	29.79	178.86	29.90	178.35	30.00	177.94	30.10	177.47	30.19	177.19	30.25
	17	15	184.35	28.64	183.94	28.64	183.51	28.65	183.15	28.66	182.67	28.67	182.38	28.67
	22	20	187.34	26.88	186.94	26.89	186.53	26.90	186.07	26.90	185.72	26.91	185.44	26.91
	27	24	190.03	24.84	189.11	24.85	188.67	24.85	188.51	24.86	188.00	24.86	187.18	24.87
	32	29	192.84	22.08	192.23	22.08	191.67	22.09	191.39	22.09	191.04	22.09	190.52	22.10
	37	34	177.90	18.78	177.39	18.78	176.88	18.78	176.63	18.79	176.47	18.79	176.39	18.79
	42	38	193.44	16.03	192.99	16.03	192.43	16.03	187.63	16.04	186.29	16.04	184.37	16.04
	47	43	210.08	13.88	205.31	13.88	200.55	13.88	195.79	13.88	191.03	13.89	188.39	13.89
	52	47	217.78	13.57	213.01	13.57	208.25	13.57	203.49	13.57	198.73	13.57	195.55	13.58
	57	52	227.40	13.18	222.64	13.18	217.88	13.18	213.12	13.18	208.35	13.18	205.18	13.18
	62	56	235.10	12.86	230.34	12.86	225.58	12.87	220.81	12.87	216.05	12.87	206.79	12.26
	67	61	244.73	12.47	239.96	12.47	235.20	12.48	230.44	12.48	217.67	11.75	206.79	11.06
	72	66	254.35	12.08	249.59	12.08	244.83	12.08	234.00	11.58	217.67	10.64	206.79	10.02
75	69	260.13	11.85	255.36	11.85	250.60	11.85	236.14	11.04	217.67	9.97	206.79	9.40	
120%	-13	-13	132.71	28.24	132.35	28.73	132.05	29.22	131.76	29.71	131.38	30.14	131.17	30.42
	-8	-9	142.17	29.94	141.79	30.38	141.46	30.81	141.16	31.23	140.75	31.61	140.53	31.85
	-3	-4	151.39	30.86	150.99	31.23	150.63	31.57	150.31	31.92	149.88	32.22	149.64	32.41
	2	1	160.87	31.30	160.46	31.59	160.10	31.85	159.77	32.09	159.30	32.31	159.01	32.45
	7	6	170.38	30.93	169.96	31.12	169.57	31.28	169.22	31.44	168.74	31.58	168.44	31.68
	12	10	178.53	29.96	178.11	30.06	177.73	30.13	177.38	30.22	176.96	30.29	176.61	30.33
	17	15	183.80	28.65	183.31	28.65	182.93	28.66	182.48	28.67	182.12	28.67	181.83	28.68
	22	20	186.71	26.89	186.31	26.90	185.96	26.90	185.54	26.91	185.19	26.91	184.91	26.92
	27	24	188.70	24.85	188.56	24.86	188.44	24.86	188.32	24.86	187.07	24.87	186.99	24.87
	32	29	191.97	22.08	191.54	22.09	191.30	22.09	191.16	22.09	190.20	22.10	189.65	22.10
	37	34	177.22	18.78	176.78	18.78	176.52	18.79	176.39	18.79	168.10	18.79	165.36	18.80
	42	38	183.88	16.03	183.38	16.03	183.10	16.04	182.34	16.04	177.91	16.04	173.63	16.04
	47	43	202.80	13.88	198.43	13.88	194.94	13.89	190.54	13.89	186.14	13.89	183.21	13.89
	52	47	211.43	13.57	207.03	13.57	202.64	13.57	198.24	13.57	193.84	13.58	190.88	13.57
	57	52	221.05	13.18	216.66	13.18	212.26	13.18	207.86	13.18	200.93	12.91	190.88	12.15
	62	56	228.75	12.87	224.36	12.87	219.96	12.87	215.56	12.87	200.93	11.85	190.88	11.16
	67	61	238.38	12.47	233.98	12.48	229.59	12.48	216.00	11.64	200.93	10.70	190.88	10.09
	72	66	248.00	12.08	243.61	12.08	231.07	11.41	216.00	10.54	200.93	9.70	190.88	9.15
75	69	253.78	11.85	249.38	11.85	231.96	10.77	216.00	9.88	200.93	9.10	190.88	8.59	
110%	-13	-13	132.15	29.12	131.86	29.53	131.52	29.93	131.17	30.35	130.89	30.68	130.70	30.89
	-8	-9	141.57	30.72	141.26	31.08	140.90	31.43	140.53	31.80	140.22	32.09	140.02	32.25
	-3	-4	150.75	31.49	150.42	31.79	150.03	32.07	149.64	32.37	149.32	32.60	149.10	32.72
	2	1	160.21	31.78	159.88	32.01	159.49	32.21	159.07	32.44	158.74	32.60	158.52	32.67
	7	6	169.66	31.24	169.33	31.39	168.96	31.52	168.60	31.67	168.20	31.76	167.96	31.80
	12	10	177.83	30.11	177.50	30.19	177.11	30.26	176.75	30.32	176.38	30.36	174.13	30.36
	17	15	183.52	28.66	183.11	28.66	182.76	28.67	181.93	28.67	181.19	28.68	174.98	28.68
	22	20	188.44	26.90	187.52	26.91	187.18	26.91	183.87	26.92	182.77	26.92	174.98	26.92
	27	24	193.30	24.86	191.63	24.86	190.98	24.87	185.94	24.87	184.47	24.87	174.98	24.88
	32	29	195.49	22.09	194.28	22.09	193.73	22.09	189.46	22.10	185.33	22.10	174.98	22.10
	37	34	177.30	18.79	177.18	18.79	176.62	18.79	173.00	18.79	164.81	18.80	158.99	18.80
	42	38	188.20	16.04	187.62	16.04	184.46	16.04	177.05	16.04	172.62	16.04	166.58	16.05
	47	43	199.24	13.88	195.03	13.89	190.13	13.89	185.29	13.89	181.26	13.89	174.98	13.43
	52	47	206.83	13.57	203.49	13.57	197.44	13.57	192.99	13.58	184.19	13.01	174.98	12.25
	57	52	215.62	13.18	210.67	13.18	206.64	13.18	198.00	12.69	184.19	11.65	174.98	10.98
	62	56	222.88	12.87	218.37	12.87	211.81	12.62	198.00	11.65	184.19	10.71	174.98	10.10
	67	61	232.03	12.48	225.63	12.26	211.81	11.38	198.00	10.52	184.19	9.69	174.98	9.14
	72	66	239.44	11.90	225.63	11.09	211.81	10.30	198.00	9.54	184.19	8.79	174.98	8.31
75	69	243.89	11.55	225.63	10.39	211.81	9.66	198.00	8.95	184.19	8.26	174.98	7.81	

NOTE - Power Input = Compressor + Outdoor Fan Motor.  
 MBH = 1000 BTUs per hour.

# HEATING CAPACITY - TWO MODULE - VRA168L4

Combination (%)	Outdoor Temperature (°F)		Indoor Temperature - °F Dry Bulb											
			61		64		67		70		73		75	
	Dry Bulb	Wet Bulb	Total Cap. MBH	Power Input kW	Total Cap. MBH	Power Input kW	Total Cap. MBH	Power Input kW	Total Cap. MBH	Power Input kW	Total Cap. MBH	Power Input kW	Total Cap. MBH	Power Input kW
100%	-13	-13	131.58	29.93	131.27	30.29	131.00	30.60	130.70	31.04	130.43	31.59	130.26	35.10
	-8	-9	140.96	31.43	140.63	31.74	140.35	32.02	140.02	32.41	139.73	32.93	139.55	36.05
	-3	-4	150.10	32.07	149.75	32.32	149.45	32.55	149.10	32.88	148.79	33.36	148.60	36.00
	2	1	159.56	32.21	159.15	32.38	158.86	32.56	158.52	32.83	158.17	33.25	156.29	35.38
	7	6	169.00	31.52	168.58	31.64	168.30	31.75	167.96	31.96	166.35	32.32	159.07	33.89
	12	10	177.16	30.26	176.81	30.32	176.49	30.36	176.13	30.50	167.44	30.70	159.07	31.85
	17	15	184.04	28.67	183.71	28.67	182.98	28.68	180.00	28.68	167.44	28.69	159.07	28.69
	22	20	186.38	26.91	186.06	26.91	185.23	26.92	180.00	26.92	167.44	26.93	159.07	26.93
	27	24	187.85	24.86	187.19	24.87	186.51	24.87	180.00	24.88	167.44	24.88	159.07	24.88
	32	29	192.72	22.09	191.08	22.10	188.31	22.10	180.00	22.10	167.44	22.11	159.07	22.11
	37	34	181.28	18.79	177.93	18.79	171.91	18.79	162.71	18.80	153.67	18.80	147.65	18.80
	42	38	194.92	16.04	187.39	16.04	179.88	16.04	170.41	16.04	160.95	16.05	154.63	15.20
	47	43	203.04	14.10	193.54	14.10	185.54	14.11	180.00	14.05	167.44	12.95	159.07	12.19
	52	47	207.57	13.81	198.97	13.81	191.40	13.81	180.00	12.88	167.44	11.84	159.07	11.16
	57	52	212.16	13.47	204.69	13.47	192.56	12.54	180.00	11.59	167.44	10.67	159.07	10.07
	62	56	216.05	13.15	205.12	12.41	192.56	11.52	180.00	10.66	167.44	9.82	159.07	9.28
	67	61	217.67	12.00	205.12	11.19	192.56	10.41	180.00	9.64	167.44	8.90	159.07	8.41
	72	66	217.67	10.86	205.12	10.14	192.56	9.44	180.00	8.76	167.44	8.09	159.07	7.65
	75	69	217.67	10.18	205.12	9.51	192.56	8.86	180.00	8.22	167.44	7.60	159.07	7.20
	90%	-13	-13	128.77	34.75	128.52	35.08	128.27	35.38	128.09	35.77	127.18	35.99	125.73
-8		-9	137.95	35.90	137.68	36.18	137.41	36.45	137.22	36.80	136.25	36.98	134.69	38.01
-3		-4	146.90	36.07	146.61	36.29	146.33	36.51	146.12	36.81	145.64	36.94	142.29	37.98
2		1	155.99	35.68	155.74	35.84	155.45	36.00	155.18	36.25	150.14	36.33	143.16	37.36
7		6	163.27	34.67	163.03	34.68	161.17	34.69	159.49	34.69	150.70	34.70	143.16	34.71
12		10	169.54	31.80	169.15	31.80	166.66	31.81	162.00	31.81	150.70	31.82	143.16	31.83
17		15	173.70	29.01	173.47	29.01	169.79	29.02	162.00	29.02	150.70	29.03	143.16	29.03
22		20	177.31	26.92	176.93	26.92	171.18	26.92	162.00	26.93	150.70	26.93	143.16	26.94
27		24	182.37	24.87	179.38	24.87	173.30	24.88	162.00	24.88	150.70	24.88	143.16	24.89
32		29	186.75	22.10	180.87	22.10	173.30	22.10	162.00	22.11	150.70	22.11	143.16	22.11
37		34	184.08	18.79	175.43	18.80	166.97	18.80	157.46	18.80	150.70	18.10	143.16	17.04
42		38	188.57	16.04	179.71	16.04	171.05	16.05	162.00	15.54	150.70	14.27	143.16	13.45
47		43	190.76	13.89	181.80	13.89	173.30	13.27	162.00	12.26	150.70	11.28	143.16	10.64
52		47	193.00	13.58	184.60	13.04	173.30	12.11	162.00	11.20	150.70	10.32	143.16	9.74
57		52	195.91	12.53	184.60	11.68	173.30	10.86	162.00	10.06	150.70	9.28	143.16	8.77
62		56	195.91	11.51	184.60	10.74	173.30	9.99	162.00	9.27	150.70	8.56	143.16	8.10
67		61	195.91	10.39	184.60	9.71	173.30	9.05	162.00	8.40	150.70	7.77	143.16	7.35
72		66	195.91	9.42	184.60	8.82	173.30	8.22	162.00	7.64	150.70	7.07	143.16	6.70
75		69	195.91	8.84	184.60	8.28	173.30	7.73	162.00	7.19	150.70	6.66	143.16	6.31
80%		-13	-13	126.16	36.59	125.91	36.95	125.65	37.28	125.52	37.71	124.63	37.95	123.21
	-8	-9	135.52	37.85	134.59	38.16	133.65	38.45	132.84	38.84	131.38	39.03	127.26	40.16
	-3	-4	145.43	38.07	143.82	38.31	142.21	38.55	140.71	38.88	133.95	39.02	127.26	39.78
	2	1	150.52	37.69	148.34	37.87	146.15	38.05	144.00	38.32	133.95	38.40	127.26	38.47
	7	6	156.20	34.69	152.71	34.69	149.16	34.70	144.00	34.71	133.95	34.71	127.26	34.72
	12	10	160.49	31.81	156.11	31.81	151.57	31.82	144.00	31.82	133.95	31.83	127.26	31.83
	17	15	164.73	29.02	160.05	29.02	152.00	29.02	144.00	29.03	133.95	29.03	127.26	29.04
	22	20	168.19	26.92	160.05	26.93	152.00	26.93	144.00	26.93	133.95	26.94	127.26	26.94
	27	24	168.19	24.88	160.05	24.88	152.00	24.88	144.00	24.89	133.95	24.89	127.26	24.62
	32	29	168.19	22.10	160.05	22.11	152.00	22.11	144.00	22.11	133.95	20.63	127.26	19.43
	37	34	168.19	18.80	160.05	18.80	152.00	18.58	144.00	17.16	133.95	15.77	127.26	14.87
	42	38	168.19	16.05	160.05	15.77	152.00	14.64	144.00	13.54	133.95	12.46	127.26	11.77
	47	43	168.19	13.35	160.05	12.45	152.00	11.57	144.00	10.71	133.95	9.88	127.26	9.34
	52	47	168.19	12.18	160.05	11.37	152.00	10.58	144.00	9.81	133.95	9.06	127.26	8.57
	57	52	168.19	10.92	160.05	10.21	152.00	9.51	144.00	8.83	133.95	8.16	127.26	7.73
	62	56	168.19	10.05	160.05	9.40	152.00	8.77	144.00	8.15	133.95	7.54	127.26	7.15
	67	61	168.19	9.10	160.05	8.52	152.00	7.95	144.00	7.40	133.95	6.86	127.26	6.50
	72	66	168.19	8.26	160.05	7.75	152.00	7.24	144.00	6.74	133.95	6.26	127.26	5.94
	75	69	168.19	7.77	160.05	7.28	152.00	6.81	144.00	6.35	133.95	5.90	127.26	5.60

NOTE - Power Input = Compressor + Outdoor Fan Motor.  
MBH = 1000 BTUs per hour.



# HEATING CAPACITY - TWO MODULE - VRA168L4

Combination (%)	Outdoor Temperature (°F)		Indoor Temperature - °F Dry Bulb											
			61		64		67		70		73		75	
	Dry Bulb	Wet Bulb	Total Cap. MBH	Power Input kW	Total Cap. MBH	Power Input kW	Total Cap. MBH	Power Input kW	Total Cap. MBH	Power Input kW	Total Cap. MBH	Power Input kW	Total Cap. MBH	Power Input kW
70%	-13	-13	126.55	37.69	126.32	37.71	126.08	37.72	126.00	37.74	117.21	37.75	111.35	37.76
	-8	-9	130.92	38.83	129.24	38.84	127.56	38.85	126.00	38.86	117.21	38.88	111.35	38.89
	-3	-4	134.82	38.87	131.84	38.88	128.88	38.89	126.00	38.90	117.21	38.91	111.35	38.92
	2	1	138.31	38.31	134.17	38.32	130.06	38.33	126.00	38.34	117.21	38.34	111.35	38.35
	7	6	141.45	34.70	136.26	34.71	131.12	34.71	126.00	34.72	117.21	34.72	111.35	34.73
	12	10	144.30	31.82	138.16	31.82	132.09	31.83	126.00	31.83	117.21	31.84	111.35	31.84
	17	15	146.89	29.03	139.89	29.03	132.96	29.03	126.00	29.04	117.21	29.04	111.35	29.04
	22	20	146.89	26.93	139.89	26.94	132.96	26.94	126.00	26.94	117.21	26.85	111.35	25.27
	27	24	146.89	24.88	139.89	24.89	132.96	24.89	126.00	24.33	117.21	22.35	111.35	21.05
	32	29	146.89	22.11	139.89	22.11	132.96	20.78	126.00	19.21	117.21	17.68	111.35	16.68
	37	34	146.89	18.34	139.89	17.10	132.96	15.89	126.00	14.71	117.21	13.56	111.35	12.81
	42	38	146.89	14.45	139.89	13.49	132.96	12.55	126.00	11.64	117.21	10.74	111.35	10.16
	47	43	146.89	11.43	139.89	10.68	132.96	9.95	126.00	9.24	117.21	8.54	111.35	8.09
	52	47	146.89	10.45	139.89	9.77	132.96	9.12	126.00	8.47	117.21	7.85	111.35	7.44
	57	52	146.89	9.39	139.89	8.80	132.96	8.22	126.00	7.65	117.21	7.09	111.35	6.73
62	56	146.89	8.66	139.89	8.12	132.96	7.59	126.00	7.07	117.21	6.57	111.35	6.23	
67	61	146.89	7.86	139.89	7.38	132.96	6.90	126.00	6.44	117.21	5.98	111.35	5.69	
72	66	146.89	7.16	139.89	6.72	132.96	6.30	126.00	5.88	117.21	5.47	111.35	5.21	
75	69	146.89	6.74	139.89	6.33	132.96	5.94	126.00	5.55	117.21	5.17	111.35	4.92	
60%	-13	-13	108.47	37.73	108.28	37.74	108.07	37.75	108.00	37.77	100.47	37.78	95.44	37.79
	-8	-9	111.87	38.86	110.55	38.87	109.22	38.88	108.00	38.89	100.47	38.90	95.44	38.91
	-3	-4	115.05	38.90	112.68	38.91	110.30	38.91	108.00	38.92	100.47	38.93	95.44	38.94
	2	1	118.04	38.33	114.68	38.34	111.31	38.34	108.00	38.35	100.47	38.36	95.44	38.36
	7	6	120.85	34.72	116.56	34.72	112.26	34.73	108.00	34.73	100.47	34.74	95.44	34.74
	12	10	123.50	31.83	118.33	31.84	113.15	31.84	108.00	31.84	100.47	31.85	95.44	31.85
	17	15	126.00	29.03	120.00	29.04	114.00	29.04	108.00	29.04	100.47	27.89	95.44	26.25
	22	20	128.43	26.94	121.62	26.94	115.53	26.40	108.00	24.38	100.47	22.42	95.44	21.14
	27	24	129.91	24.89	122.71	23.66	115.53	21.97	108.00	20.33	100.47	18.73	95.44	17.69
	32	29	130.60	20.03	122.86	18.69	115.53	17.39	108.00	16.12	100.47	14.88	95.44	14.08
	37	34	130.60	15.32	122.92	14.32	115.53	13.35	108.00	12.39	100.47	11.46	95.44	10.86
	42	38	130.60	12.11	122.97	11.34	115.53	10.58	108.00	9.84	100.47	9.11	95.44	8.64
	47	43	130.60	9.61	123.07	9.01	115.53	8.41	108.00	7.84	100.47	7.27	95.44	6.90
	52	47	130.60	8.81	123.07	8.26	115.53	7.73	108.00	7.21	100.47	6.70	95.44	6.36
	57	52	130.60	7.95	123.07	7.46	115.53	6.99	108.00	6.53	100.47	6.07	95.44	5.77
62	56	130.60	7.34	123.07	6.90	115.53	6.47	108.00	6.05	100.47	5.63	95.44	5.36	
67	61	130.60	6.68	123.07	6.29	115.53	5.90	108.00	5.52	100.47	5.15	95.44	4.90	
72	66	130.60	6.10	123.07	5.75	115.53	5.40	108.00	5.06	100.47	4.72	95.44	4.50	
75	69	130.60	5.75	123.07	5.42	115.53	5.10	108.00	4.78	100.47	4.46	95.44	4.26	
50%	-13	-13	90.46	37.76	90.28	37.77	90.12	37.79	90.00	37.80	83.72	37.81	79.53	37.81
	-8	-9	93.08	38.89	92.44	38.90	91.07	38.91	90.00	38.92	83.72	38.92	79.53	38.93
	-3	-4	95.65	38.92	94.55	38.93	92.27	38.94	90.00	38.94	83.72	38.95	79.53	38.96
	2	1	98.16	38.35	96.61	38.36	93.61	38.36	90.00	38.37	83.72	38.37	79.53	38.38
	7	6	100.61	34.73	98.64	34.74	94.88	34.74	90.00	34.74	83.72	34.75	79.53	34.75
	12	10	103.02	31.84	100.62	31.85	95.85	31.85	90.00	31.70	83.72	29.10	79.53	27.41
	17	15	105.38	29.04	102.56	28.58	96.28	26.52	90.00	24.52	83.72	22.58	79.53	21.32
	22	20	108.84	24.60	102.56	22.95	96.28	21.35	90.00	19.79	83.72	18.27	79.53	17.28
	27	24	108.84	20.51	102.56	19.17	96.28	17.86	90.00	16.58	83.72	15.34	79.53	14.52
	32	29	108.84	16.26	102.56	15.22	96.28	14.21	90.00	13.22	83.72	12.25	79.53	11.62
	37	34	108.84	12.50	102.56	11.72	96.28	10.96	90.00	10.21	83.72	9.48	79.53	9.01
	42	38	108.84	9.92	102.56	9.31	96.28	8.72	90.00	8.13	83.72	7.56	79.53	7.19
	47	43	108.84	7.90	102.56	7.43	96.28	6.96	90.00	6.51	83.72	6.06	79.53	5.77
	52	47	108.84	7.26	102.56	6.84	96.28	6.42	90.00	6.00	83.72	5.60	79.53	5.33
	57	52	108.84	6.58	102.56	6.20	96.28	5.82	90.00	5.45	83.72	5.09	79.53	4.86
62	56	108.84	6.09	102.56	5.75	96.28	5.41	90.00	5.07	83.72	4.74	79.53	4.52	
67	61	108.84	5.56	102.56	5.25	96.28	4.94	90.00	4.64	83.72	4.35	79.53	4.15	
72	66	108.84	5.09	102.56	4.81	96.28	4.54	90.00	4.26	83.72	4.00	79.53	3.82	
75	69	108.84	4.81	102.56	4.55	96.28	4.29	90.00	4.04	83.72	3.79	79.53	3.62	

NOTE - Power Input = Compressor + Outdoor Fan Motor.  
MBH = 1000 BTUs per hour.



## COOLING CAPACITY - TWO MODULE - VRA192L4

Combination (%)	Outdoor Temperature °F (Dry Bulb)	Indoor Temperature - °F (Dry Bulb / Wet Bulb)											
		67 / 57		71 / 60		75 / 63		80 / 67		85 / 71		90 / 75	
		Total Cap.	Power Input	Total Cap.	Power Input	Total Cap.	Power Input	Total Cap.	Power Input	Total Cap.	Power Input	Total Cap.	Power Input
		MBH	kW	MBH	kW	MBH	kW	MBH	kW	MBH	kW	MBH	kW
130%	25	157.02	6.17	182.46	7.30	207.74	8.48	242.31	10.08	261.49	10.10	267.79	10.39
	30	157.02	6.30	182.46	7.47	207.74	8.67	242.31	10.29	257.34	10.31	263.64	10.65
	35	157.02	6.45	182.46	7.65	207.74	8.89	242.31	10.54	253.22	10.58	259.76	10.91
	40	157.02	6.60	182.46	7.84	207.74	9.10	242.31	10.79	249.10	10.81	255.88	11.18
	45	157.02	6.76	182.46	8.04	207.74	9.34	238.43	10.79	244.98	10.87	251.52	11.23
	50	157.02	6.93	182.46	8.24	207.74	9.57	234.56	10.79	240.86	11.01	247.16	11.28
	55	157.02	7.11	182.46	8.45	207.74	9.81	229.95	10.69	236.62	11.08	242.55	11.35
	60	157.02	7.30	182.46	8.68	207.74	10.11	225.83	10.79	232.38	11.17	238.92	11.58
	65	157.02	7.61	182.46	9.10	207.74	10.83	218.81	11.50	225.59	11.77	232.38	12.02
	70	157.02	7.79	182.46	9.66	205.80	11.50	217.11	12.20	223.90	12.39	230.68	12.49
	75	157.02	8.55	182.46	10.61	202.57	12.30	213.23	12.91	219.53	13.15	225.83	13.31
	80	157.02	9.37	182.46	11.68	199.99	13.19	209.36	13.67	215.66	13.84	221.96	13.99
	85	157.02	10.24	182.46	12.81	197.08	14.10	205.00	14.47	211.30	14.67	217.60	14.82
	90	157.02	11.19	181.92	13.95	193.93	15.06	200.63	15.28	206.93	15.43	213.23	15.58
	95	157.02	12.20	179.55	14.85	190.30	15.87	196.76	16.03	202.57	16.24	203.54	16.24
	100	157.02	13.34	176.10	15.72	185.69	16.63	191.43	16.79	193.61	16.87	193.61	16.87
	105	157.02	14.69	173.01	16.81	181.14	17.58	183.19	17.65	183.19	17.65	183.19	17.65
	110	157.02	16.34	168.65	18.08	172.53	18.66	172.53	18.66	172.53	18.66	172.53	18.66
115	149.26	18.76	149.26	18.76	149.26	18.83	150.23	18.86	150.23	18.86	150.23	18.86	
118	128.37	17.10	128.37	17.10	128.37	17.16	129.20	17.19	129.20	17.19	129.20	17.19	
120%	25	145.39	5.65	168.65	6.67	191.91	7.73	222.93	9.20	253.11	9.83	263.91	10.23
	30	145.39	5.77	168.65	6.82	191.91	7.91	222.93	9.42	251.03	10.07	259.76	10.49
	35	145.39	5.90	168.65	6.99	191.91	8.10	222.93	9.65	247.88	10.32	255.40	10.75
	40	145.39	6.04	168.65	7.15	191.91	8.30	222.93	9.88	244.73	10.57	251.03	11.01
	45	145.39	6.19	168.65	7.33	191.91	8.51	222.93	10.14	240.86	10.71	246.67	11.07
	50	145.39	6.33	168.65	7.51	191.91	8.73	222.93	10.39	236.98	10.85	242.31	11.12
	55	145.39	6.50	168.65	7.71	191.91	8.96	222.93	10.64	232.38	10.91	238.43	11.18
	60	145.39	6.67	168.65	7.91	191.91	9.20	221.96	10.84	228.26	11.00	234.07	11.40
	65	145.39	6.95	168.65	8.26	191.91	9.71	216.63	11.42	221.23	11.59	227.53	11.84
	70	145.39	7.03	168.65	8.63	191.91	10.38	214.20	12.10	219.53	12.20	225.83	12.30
	75	145.39	7.65	168.65	9.48	191.91	11.43	210.33	12.81	215.66	12.96	221.96	13.11
	80	145.39	8.38	168.65	10.42	191.75	12.57	205.72	13.59	211.78	13.77	217.35	13.89
	85	145.39	9.17	168.65	11.41	190.30	13.56	201.60	14.42	207.42	14.55	213.23	14.72
	90	145.39	10.01	168.65	12.47	187.39	14.48	197.48	15.18	203.06	15.33	209.12	15.48
	95	145.39	10.89	168.65	13.61	184.80	15.40	192.88	15.93	199.18	16.09	203.54	16.24
	100	145.39	11.90	168.65	14.85	181.73	16.34	189.00	16.72	192.88	16.87	193.61	16.87
	105	145.39	13.04	168.16	16.27	178.77	17.46	182.86	17.65	183.19	17.65	183.19	17.65
	110	145.39	14.52	165.01	17.55	172.20	18.62	172.53	18.66	172.53	18.66	172.53	18.66
115	145.39	16.24	148.29	18.13	149.26	18.83	150.23	18.86	150.23	18.86	150.23	18.86	
118	128.37	15.20	128.37	16.63	128.37	17.16	129.20	17.19	129.20	17.19	129.20	17.19	
110%	25	132.79	5.15	154.59	6.06	176.08	7.00	204.51	8.32	233.10	9.69	259.07	10.08
	30	132.79	5.25	154.59	6.19	176.08	7.16	204.51	8.51	233.10	9.92	254.91	10.34
	35	132.79	5.38	154.59	6.34	176.08	7.34	204.51	8.72	233.10	10.17	250.55	10.59
	40	132.79	5.50	154.59	6.49	176.08	7.51	204.51	8.94	233.10	10.41	246.19	10.85
	45	132.79	5.63	154.59	6.65	176.08	7.70	204.51	9.17	231.65	10.55	242.31	10.90
	50	132.79	5.76	154.59	6.81	176.08	7.89	204.51	9.40	230.20	10.69	238.43	10.95
	55	132.79	5.90	154.59	6.98	176.08	8.10	204.51	9.64	227.77	10.75	233.83	11.01
	60	132.79	6.05	154.59	7.17	176.08	8.32	204.51	9.91	224.38	10.84	229.71	11.24
	65	132.79	6.30	154.59	7.47	176.08	8.68	204.51	10.60	217.35	11.42	222.68	11.67
	70	132.79	6.38	154.59	7.67	176.08	9.16	204.51	11.40	215.66	12.15	220.99	12.20
	75	132.79	6.81	154.59	8.38	176.08	10.09	204.51	12.61	211.78	12.91	217.11	13.01
	80	132.79	7.46	154.59	9.19	176.08	11.07	201.85	13.56	207.54	13.67	213.23	13.77
	85	132.79	8.14	154.59	10.05	176.08	12.14	198.21	14.32	203.30	14.45	208.87	14.57
	90	132.79	8.87	154.59	10.99	176.08	13.28	193.85	15.08	199.06	15.23	204.51	15.38
	95	132.79	9.66	154.59	11.95	176.08	14.45	189.97	15.83	195.30	15.98	200.63	16.14
	100	132.79	10.56	154.59	13.10	174.79	15.64	185.37	16.59	190.34	16.79	193.61	16.87
	105	132.79	11.56	154.59	14.36	171.99	16.71	181.25	17.51	183.19	17.65	183.19	17.65
	110	132.79	12.81	154.59	15.98	168.97	18.12	172.53	18.66	172.53	18.66	172.53	18.66
115	132.79	14.32	145.14	17.65	149.26	18.83	150.23	18.86	150.23	18.86	150.23	18.86	
118	128.37	14.67	128.37	16.54	128.37	17.16	129.20	17.19	129.20	17.19	129.20	17.19	

NOTE - Power Input = Compressor + Outdoor Fan Motor.  
MBH = 1000 BTUs per hour.

## COOLING CAPACITY - TWO MODULE - VRA192L4

Combination (%)	Outdoor Temperature °F (Dry Bulb)	Indoor Temperature - °F (Dry Bulb / Wet Bulb)											
		67 / 57		71 / 60		75 / 63		80 / 67		85 / 71		90 / 75	
		Total Cap.	Power Input	Total Cap.	Power Input	Total Cap.	Power Input	Total Cap.	Power Input	Total Cap.	Power Input	Total Cap.	Power Input
		MBH	kW	MBH	kW	MBH	kW	MBH	kW	MBH	kW	MBH	kW
100%	25	121.16	4.66	140.78	5.46	160.25	6.29	184.00	7.46	212.27	8.67	238.43	9.93
	30	121.16	4.76	140.78	5.58	160.25	6.44	184.00	7.63	212.27	8.88	238.43	10.19
	35	121.16	4.87	140.78	5.71	160.25	6.59	184.00	7.82	212.27	9.10	238.43	10.44
	40	121.16	4.97	140.78	5.84	160.25	6.74	184.00	8.01	212.27	9.32	238.43	10.69
	45	121.16	5.09	140.78	5.98	160.25	6.91	184.00	8.21	212.27	9.57	236.01	10.74
	50	121.16	5.20	140.78	6.13	160.25	7.08	184.00	8.41	212.27	9.82	233.59	10.79
	55	121.16	5.32	140.78	6.28	160.25	7.27	184.00	8.64	212.27	10.07	229.71	10.85
	60	121.16	5.46	140.78	6.44	160.25	7.46	184.00	8.87	212.27	10.32	225.35	11.07
	65	121.16	5.68	140.78	6.71	160.25	7.78	184.00	9.26	211.17	11.04	218.81	11.50
	70	121.16	5.75	140.78	6.79	160.25	8.01	184.00	9.92	209.36	11.80	217.11	12.10
	75	121.16	6.02	140.78	7.35	160.25	8.79	184.00	10.89	207.42	12.76	212.27	12.91
	80	121.16	6.58	140.78	8.06	160.25	9.65	184.00	12.03	203.66	13.56	208.63	13.67
	85	121.16	7.18	140.78	8.80	160.25	10.58	184.00	13.16	199.42	14.35	204.51	14.47
	90	121.16	7.82	140.78	9.61	160.25	11.54	184.00	14.37	195.18	15.13	200.39	15.28
	95	121.16	8.50	140.78	10.45	160.25	12.57	184.00	16.13	190.94	15.88	195.79	16.03
	100	121.16	9.24	140.78	11.39	160.25	13.75	182.22	16.49	186.70	16.64	191.43	16.79
	105	121.16	10.16	140.78	12.52	160.25	15.10	177.37	17.41	181.90	17.60	183.19	17.65
	110	121.16	11.30	140.78	13.94	160.25	16.84	172.53	18.66	172.53	18.66	172.53	18.66
115	121.16	12.51	140.78	15.53	148.62	18.09	150.23	18.86	150.23	18.86	150.23	18.86	
118	121.16	13.26	123.89	14.49	128.37	16.56	129.20	17.19	129.20	17.19	129.20	17.19	
90%	25	108.56	4.20	126.00	4.89	144.09	5.61	167.68	6.62	190.94	7.68	214.20	8.78
	30	108.56	4.28	126.00	4.99	144.09	5.73	167.68	6.77	190.94	7.86	214.20	8.99
	35	108.56	4.37	126.00	5.10	144.09	5.86	167.68	6.93	190.94	8.06	214.20	9.21
	40	108.56	4.46	126.00	5.21	144.09	6.00	167.68	7.10	190.94	8.25	214.20	9.43
	45	108.56	4.56	126.00	5.34	144.09	6.15	167.68	7.28	190.94	8.46	214.20	9.68
	50	108.56	4.66	126.00	5.46	144.09	6.29	167.68	7.45	190.94	8.67	214.20	9.92
	55	108.56	4.77	126.00	5.60	144.09	6.45	167.68	7.65	190.94	8.90	214.20	10.16
	60	108.56	4.89	126.00	5.74	144.09	6.62	167.68	7.86	190.94	9.14	214.20	10.49
	65	108.56	5.08	126.00	5.97	144.09	6.91	167.68	8.19	190.94	9.61	214.20	11.27
	70	108.56	5.13	126.00	6.04	144.09	6.98	167.68	8.52	190.94	10.32	212.27	12.10
	75	108.56	5.27	126.00	6.39	144.09	7.60	167.68	9.37	190.94	11.35	208.39	12.81
	80	108.56	5.76	126.00	6.99	144.09	8.32	167.68	10.29	190.94	12.49	203.78	13.56
	85	108.56	6.27	126.00	7.63	144.09	9.10	167.68	11.30	190.46	13.61	199.66	14.32
	90	108.56	6.82	126.00	8.32	144.09	9.94	167.68	12.30	188.88	14.66	195.55	15.08
	95	108.56	7.41	126.00	9.05	144.09	10.80	167.68	13.41	186.58	15.73	190.94	15.93
	100	108.56	8.04	126.00	9.86	144.09	11.82	167.68	14.67	182.82	16.54	187.31	16.69
	105	108.56	8.80	126.00	10.80	144.09	12.96	167.68	16.17	178.66	17.46	182.54	17.61
	110	108.56	9.77	126.00	12.05	144.09	14.49	167.68	18.05	172.53	18.66	172.53	18.66
115	108.56	10.79	126.00	13.36	143.45	17.31	150.23	18.86	150.23	18.86	150.23	18.86	
118	108.56	11.44	123.48	13.88	124.80	15.97	129.20	17.19	129.20	17.19	129.20	17.19	
80%	25	96.63	3.75	112.12	4.34	127.62	4.95	149.26	5.81	170.10	6.72	190.94	7.67
	30	96.63	3.82	112.12	4.43	127.62	5.06	149.26	5.94	170.10	6.88	190.94	7.85
	35	96.63	3.90	112.12	4.52	127.62	5.17	149.26	6.08	170.10	7.04	190.94	8.04
	40	96.63	3.97	112.12	4.62	127.62	5.28	149.26	6.22	170.10	7.21	190.94	8.23
	45	96.63	4.06	112.12	4.72	127.62	5.41	149.26	6.37	170.10	7.39	190.94	8.44
	50	96.63	4.14	112.12	4.83	127.62	5.54	149.26	6.52	170.10	7.57	190.94	8.65
	55	96.63	4.24	112.12	4.94	127.62	5.67	149.26	6.70	170.10	7.78	190.94	8.88
	60	96.63	4.34	112.12	5.06	127.62	5.82	149.26	6.87	170.10	7.98	190.94	9.12
	65	96.63	4.50	112.12	5.26	127.62	6.05	149.26	7.16	170.10	8.32	190.94	9.57
	70	96.63	4.55	112.12	5.32	127.62	6.12	149.26	7.25	170.10	8.69	190.94	10.29
	75	96.63	4.66	112.12	5.52	127.62	6.49	149.26	7.95	170.10	9.56	190.94	11.30
	80	96.63	5.00	112.12	6.01	127.62	7.10	149.26	8.70	170.10	10.51	190.94	12.43
	85	96.63	5.44	112.12	6.55	127.62	7.75	149.26	9.52	170.10	11.50	190.94	13.61
	90	96.63	5.90	112.12	7.13	127.62	8.45	149.26	10.41	170.10	12.58	190.21	14.88
	95	96.63	6.39	112.12	7.75	127.62	9.20	149.26	11.30	170.10	13.72	187.06	15.73
	100	96.63	6.94	112.12	8.42	127.62	10.01	149.26	12.33	170.10	14.99	182.46	16.51
	105	96.63	7.58	112.12	9.22	127.62	10.96	149.26	13.61	169.78	16.46	178.34	17.51
	110	96.63	8.40	112.12	10.27	127.62	12.24	149.26	15.13	168.16	18.05	172.53	18.66
115	96.63	9.29	112.12	11.32	127.62	13.55	149.26	16.84	150.23	18.86	150.23	18.86	
118	96.63	9.85	112.12	12.00	124.80	14.04	129.20	15.45	129.20	17.19	129.20	17.19	

NOTE - Power Input = Compressor + Outdoor Fan Motor.  
MBH = 1000 BTUs per hour.

## COOLING CAPACITY - TWO MODULE - VRA192L4

Combination (%)	Outdoor Temperature °F (Dry Bulb)	Indoor Temperature - °F (Dry Bulb / Wet Bulb)											
		67 / 57		71 / 60		75 / 63		80 / 67		85 / 71		90 / 75	
		Total Cap.	Power Input	Total Cap.	Power Input	Total Cap.	Power Input	Total Cap.	Power Input	Total Cap.	Power Input	Total Cap.	Power Input
		MBH	kW	MBH	kW	MBH	kW	MBH	kW	MBH	kW	MBH	kW
70%	25	84.52	3.32	98.18	3.81	111.79	4.32	129.88	5.05	148.78	5.80	166.71	6.60
	30	84.52	3.38	98.18	3.89	111.79	4.41	129.88	5.15	148.78	5.93	166.71	6.75
	35	84.52	3.44	98.18	3.97	111.79	4.51	129.88	5.27	148.78	6.07	166.71	6.91
	40	84.52	3.51	98.18	4.05	111.79	4.60	129.88	5.39	148.78	6.21	166.71	7.07
	45	84.52	3.58	98.18	4.13	111.79	4.71	129.88	5.51	148.78	6.36	166.71	7.25
	50	84.52	3.65	98.18	4.22	111.79	4.81	129.88	5.64	148.78	6.51	166.71	7.42
	55	84.52	3.73	98.18	4.31	111.79	4.92	129.88	5.78	148.78	6.68	166.71	7.61
	60	84.52	3.81	98.18	4.41	111.79	5.04	129.88	5.92	148.78	6.86	166.71	7.82
	65	84.52	3.95	98.18	4.58	111.79	5.24	129.88	6.17	148.78	7.15	166.71	8.16
	70	84.52	3.98	98.18	4.63	111.79	5.30	129.88	6.24	148.78	7.25	166.71	8.48
	75	84.52	4.08	98.18	4.75	111.79	5.49	129.88	6.64	148.78	7.92	166.71	9.32
	80	84.52	4.29	98.18	5.11	111.79	5.98	129.88	7.26	148.78	8.68	166.71	10.22
	85	84.52	4.66	98.18	5.56	111.79	6.52	129.88	7.93	148.78	9.50	166.71	11.19
	90	84.52	5.05	98.18	6.04	111.79	7.10	129.88	8.65	148.78	10.37	166.71	12.28
	95	84.52	5.47	98.18	6.55	111.79	7.71	129.88	9.41	148.78	11.30	166.71	13.41
	100	84.52	5.91	98.18	7.10	111.79	8.37	129.88	10.25	148.78	12.32	166.71	14.57
	105	84.52	6.45	98.18	7.76	111.79	9.17	129.88	11.26	148.78	13.53	166.71	16.07
	110	84.52	7.13	98.18	8.60	111.79	10.16	129.88	12.51	148.78	15.13	166.71	17.95
115	84.52	7.88	98.18	9.53	111.79	11.29	129.88	13.92	147.33	17.45	150.23	18.86	
118	84.52	8.35	98.18	10.10	111.79	11.97	116.89	13.28	129.20	16.22	129.20	17.19	
60%	25	72.50	2.92	84.20	3.31	95.92	3.73	111.46	4.31	126.97	4.93	143.45	5.57
	30	72.50	2.96	84.20	3.37	95.92	3.80	111.46	4.40	126.97	5.03	143.45	5.69
	35	72.50	3.02	84.20	3.44	95.92	3.88	111.46	4.49	126.97	5.14	143.45	5.82
	40	72.50	3.07	84.20	3.50	95.92	3.95	111.46	4.59	126.97	5.25	143.45	5.95
	45	72.50	3.13	84.20	3.57	95.92	4.04	111.46	4.69	126.97	5.38	143.45	6.10
	50	72.50	3.19	84.20	3.64	95.92	4.12	111.46	4.79	126.97	5.51	143.45	6.24
	55	72.50	3.25	84.20	3.72	95.92	4.21	111.46	4.90	126.97	5.64	143.45	6.41
	60	72.50	3.31	84.20	3.80	95.92	4.31	111.46	5.02	126.97	5.78	143.45	6.57
	65	72.50	3.42	84.20	3.94	95.92	4.47	111.46	5.22	126.97	6.02	143.45	6.84
	70	72.50	3.46	84.20	3.98	95.92	4.52	111.46	5.28	126.97	6.09	143.45	6.93
	75	72.50	3.53	84.20	4.07	95.92	4.63	111.46	5.46	126.97	6.45	143.45	7.52
	80	72.50	3.66	84.20	4.28	95.92	4.97	111.46	5.96	126.97	7.05	143.45	8.24
	85	72.50	3.95	84.20	4.65	95.92	5.40	111.46	6.49	126.97	7.70	143.45	9.00
	90	72.50	4.27	84.20	5.04	95.92	5.86	111.46	7.06	126.97	8.39	143.45	9.83
	95	72.50	4.61	84.20	5.46	95.92	6.36	111.46	7.67	126.97	9.13	143.45	10.69
	100	72.50	4.98	84.20	5.90	95.92	6.89	111.46	8.33	126.97	9.94	143.45	11.70
	105	72.50	5.41	84.20	6.43	95.92	7.53	111.46	9.12	126.97	10.91	143.45	12.84
	110	72.50	5.97	84.20	7.11	95.92	8.34	111.46	10.08	126.97	12.10	143.45	14.32
115	72.50	6.58	84.20	7.85	95.92	9.23	111.46	11.19	126.97	13.46	143.45	15.93	
118	72.50	6.97	84.20	8.32	95.92	9.78	111.46	11.87	116.81	13.13	129.20	15.21	
50%	25	60.48	2.52	70.22	2.82	80.06	3.14	93.05	3.58	105.16	4.06	120.19	4.54
	30	60.48	2.55	70.22	2.86	80.06	3.19	93.05	3.64	105.16	4.13	120.19	4.63
	35	60.48	2.59	70.22	2.91	80.06	3.25	93.05	3.72	105.16	4.22	120.19	4.73
	40	60.48	2.62	70.22	2.96	80.06	3.30	93.05	3.79	105.16	4.30	120.19	4.83
	45	60.48	2.67	70.22	3.01	80.06	3.37	93.05	3.87	105.16	4.40	120.19	4.95
	50	60.48	2.72	70.22	3.06	80.06	3.43	93.05	3.94	105.16	4.50	120.19	5.06
	55	60.48	2.77	70.22	3.13	80.06	3.50	93.05	4.03	105.16	4.60	120.19	5.20
	60	60.48	2.82	70.22	3.20	80.06	3.58	93.05	4.12	105.16	4.70	120.19	5.32
	65	60.48	2.89	70.22	3.29	80.06	3.71	93.05	4.28	105.16	4.89	120.19	5.52
	70	60.48	2.93	70.22	3.34	80.06	3.74	93.05	4.33	105.16	4.92	120.19	5.38
	75	60.48	2.98	70.22	3.40	80.06	3.78	93.05	4.28	105.16	4.98	120.19	5.73
	80	60.48	3.02	70.22	3.46	80.06	3.95	93.05	4.65	105.16	5.42	120.19	6.25
	85	60.48	3.24	70.22	3.74	80.06	4.28	93.05	5.05	105.16	5.89	120.19	6.81
	90	60.48	3.49	70.22	4.05	80.06	4.63	93.05	5.48	105.16	6.41	120.19	7.37
	95	60.48	3.75	70.22	4.36	80.06	5.01	93.05	5.94	105.16	6.96	120.19	7.97
	100	60.48	4.04	70.22	4.70	80.06	5.40	93.05	6.41	105.16	7.56	120.19	8.82
	105	60.48	4.38	70.22	5.10	80.06	5.88	93.05	6.98	105.16	8.29	120.19	9.61
	110	60.48	4.81	70.22	5.62	80.06	6.52	93.05	7.66	105.16	9.08	120.19	10.69
115	60.48	5.27	70.22	6.18	80.06	7.16	93.05	8.47	105.16	9.48	120.19	13.01	
118	60.48	5.59	70.22	6.55	80.06	7.59	93.05	8.98	105.16	10.05	120.19	13.79	

NOTE - Power Input = Compressor + Outdoor Fan Motor.  
MBH = 1000 BTUs per hour.

# HEATING CAPACITY - TWO MODULE - VRA192L4

Combination (%)	Outdoor Temperature (°F)		Indoor Temperature - °F Dry Bulb											
			61		64		67		70		73		75	
	Dry Bulb	Wet Bulb	Total Cap. MBH	Power Input kW	Total Cap. MBH	Power Input kW	Total Cap. MBH	Power Input kW	Total Cap. MBH	Power Input kW	Total Cap. MBH	Power Input kW	Total Cap. MBH	Power Input kW
130%	-13	-13	148.95	28.98	148.49	30.01	148.07	30.99	147.60	31.86	147.14	32.74	146.79	33.26
	-8	-9	159.50	31.57	159.01	32.47	158.55	33.33	158.05	34.10	157.57	34.87	157.18	35.32
	-3	-4	169.72	33.19	169.20	33.92	168.72	34.60	168.18	35.23	167.67	35.84	167.26	36.21
	2	1	180.82	34.40	180.29	34.92	179.73	35.41	179.30	35.88	178.67	36.32	178.36	36.60
	7	6	191.75	34.60	191.22	34.94	190.58	35.25	190.11	35.54	189.48	35.82	189.17	36.01
	12	10	202.38	33.94	201.85	34.10	201.21	34.26	200.74	34.41	200.11	34.54	199.80	34.64
	17	15	210.72	33.28	210.20	33.29	209.72	33.30	209.34	33.30	208.72	33.31	208.41	33.32
	22	20	213.66	31.47	213.17	31.48	212.71	31.49	212.12	31.50	211.76	31.50	211.46	31.51
	27	24	216.36	29.19	214.81	29.20	214.29	29.21	214.29	29.21	213.60	29.22	212.22	29.22
	32	29	216.89	26.03	216.01	26.03	215.20	26.04	214.94	26.04	214.55	26.05	213.77	26.05
	37	34	204.32	22.31	203.67	22.31	202.88	22.31	202.60	22.32	202.60	22.32	202.60	22.32
	42	38	222.10	19.00	221.57	19.00	220.69	19.00	215.19	19.00	213.77	19.01	212.03	19.01
	47	43	240.42	16.43	234.97	16.44	229.52	16.44	224.07	16.44	218.62	16.44	216.06	16.44
	52	47	249.23	16.09	243.78	16.09	238.33	16.09	232.88	16.10	227.43	16.10	223.80	16.10
	57	52	260.25	15.66	254.80	15.66	249.35	15.66	243.90	15.66	238.45	15.66	234.81	15.67
	62	56	269.06	15.31	263.61	15.31	258.16	15.31	252.71	15.32	247.26	15.32	236.66	14.59
	67	61	280.08	14.88	274.63	14.88	269.18	14.88	263.73	14.88	249.12	14.01	236.66	13.20
	72	66	291.09	14.44	285.64	14.45	280.19	14.45	267.80	13.84	249.12	12.72	236.66	11.98
75	69	297.70	14.18	292.25	14.19	286.80	14.19	270.24	13.22	249.12	11.94	236.66	11.26	
120%	-13	-13	148.21	30.69	147.75	31.46	147.33	32.28	146.99	33.04	146.58	33.79	146.31	34.22
	-8	-9	158.70	33.06	158.22	33.75	157.76	34.47	157.40	35.14	156.96	35.77	156.67	36.15
	-3	-4	168.88	34.37	168.36	34.95	167.87	35.53	167.49	36.07	167.02	36.56	166.71	36.87
	2	1	180.00	35.24	179.47	35.68	178.98	36.10	178.59	36.51	177.97	36.84	177.66	37.06
	7	6	190.81	35.13	190.28	35.42	189.79	35.68	189.40	35.95	188.77	36.16	188.46	36.31
	12	10	201.44	34.21	200.92	34.35	200.43	34.46	200.04	34.62	199.52	34.69	199.10	34.76
	17	15	210.03	33.29	209.51	33.30	209.03	33.30	208.41	33.31	208.03	33.32	207.72	33.33
	22	20	213.00	31.48	212.51	31.49	212.05	31.50	211.46	31.50	211.10	31.51	210.80	31.51
	27	24	214.29	29.20	214.29	29.21	214.29	29.21	214.29	29.22	212.22	29.22	212.22	29.23
	32	29	215.72	26.04	215.14	26.04	214.94	26.04	214.94	26.05	213.77	26.05	213.77	26.06
	37	34	203.46	22.31	202.81	22.32	202.60	22.32	202.60	22.32	193.20	22.33	191.55	22.33
	42	38	210.12	19.00	209.37	19.00	209.12	19.00	209.12	19.01	204.04	19.01	199.98	19.01
	47	43	231.30	16.44	226.31	16.44	223.09	16.44	218.06	16.44	213.03	16.45	209.68	16.45
	52	47	241.97	16.09	236.94	16.09	231.90	16.10	226.87	16.10	221.84	16.10	218.46	16.10
	57	52	252.98	15.66	247.95	15.66	242.92	15.66	237.89	15.66	229.95	15.34	218.46	14.44
	62	56	261.79	15.31	256.76	15.31	251.73	15.32	246.70	15.32	229.95	14.11	218.46	13.29
	67	61	272.81	14.88	267.78	14.88	262.75	14.88	247.20	13.89	229.95	12.76	218.46	12.03
	72	66	283.82	14.45	278.79	14.45	264.45	13.64	247.20	12.60	229.95	11.60	218.46	10.94
75	69	290.43	14.19	285.40	14.19	265.47	12.89	247.20	11.83	229.95	10.90	218.46	10.29	
110%	-13	-13	147.53	32.07	147.12	32.77	146.72	33.44	146.31	34.10	145.97	34.66	145.70	34.98
	-8	-9	157.97	34.28	157.54	34.89	157.11	35.48	156.67	36.06	156.31	36.53	156.02	36.78
	-3	-4	168.10	35.38	167.64	35.87	167.18	36.34	166.71	36.81	166.33	37.16	166.02	37.33
	2	1	179.06	35.99	178.71	36.34	178.28	36.69	177.78	37.04	177.31	37.27	177.08	37.35
	7	6	189.87	35.61	189.52	35.83	189.09	36.06	188.69	36.29	188.12	36.41	187.90	36.42
	12	10	200.50	34.43	200.15	34.54	199.72	34.66	199.33	34.75	198.87	34.79	198.56	34.75
	17	15	207.04	33.30	206.52	33.31	206.20	33.31	207.72	33.32	207.34	33.33	200.25	33.33
	22	20	212.12	31.49	210.58	31.50	210.27	31.50	208.71	31.51	208.35	31.52	200.25	31.52
	27	24	217.47	29.21	215.99	29.21	215.02	29.22	210.12	29.22	210.12	29.23	200.25	29.23
	32	29	218.15	26.04	217.72	26.05	216.93	26.05	212.71	26.05	210.64	26.06	200.25	26.06
	37	34	202.60	22.32	202.60	22.32	202.60	22.32	200.87	22.33	192.54	22.33	186.22	22.33
	42	38	213.63	19.00	213.63	19.01	210.21	19.01	203.05	19.01	198.39	19.01	191.31	19.01
	47	43	225.89	16.44	221.28	16.44	216.66	16.44	212.05	16.45	207.44	16.45	200.25	15.90
	52	47	234.70	16.09	232.39	16.10	225.48	16.10	220.87	16.10	210.79	15.43	200.25	14.52
	57	52	245.71	15.66	241.10	15.66	236.49	15.66	226.60	15.07	210.79	13.85	200.25	13.05
	62	56	254.53	15.31	249.92	15.32	242.41	15.02	226.60	13.87	210.79	12.75	200.25	12.03
	67	61	265.54	14.88	258.22	14.62	242.41	13.57	226.60	12.55	210.79	11.55	200.25	10.91
	72	66	274.03	14.23	258.22	13.26	242.41	12.32	226.60	11.40	210.79	10.51	200.25	9.93
75	69	279.12	13.83	258.22	12.44	242.41	11.57	226.60	10.72	210.79	9.89	200.25	9.35	

NOTE - Power Input = Compressor + Outdoor Fan Motor.  
 MBH = 1000 BTUs per hour.

# HEATING CAPACITY - TWO MODULE - VRA192L4

Combination (%)	Outdoor Temperature (°F)		Indoor Temperature - °F Dry Bulb											
			61		64		67		70		73		75	
	Dry Bulb	Wet Bulb	Total Cap. MBH	Power Input kW	Total Cap. MBH	Power Input kW	Total Cap. MBH	Power Input kW	Total Cap. MBH	Power Input kW	Total Cap. MBH	Power Input kW	Total Cap. MBH	Power Input kW
100%	-13	-13	146.79	33.43	146.43	34.01	146.09	34.55	145.70	35.25	145.39	35.64	145.16	37.42
	-8	-9	157.18	35.47	156.80	35.97	156.43	36.44	156.02	37.08	155.68	37.39	155.45	39.26
	-3	-4	167.26	36.33	166.85	36.72	166.46	37.11	166.02	37.66	165.66	37.88	165.41	39.77
	2	1	178.36	36.68	177.83	36.96	177.50	37.25	177.08	37.70	176.65	37.82	176.49	39.71
	7	6	189.17	36.06	188.64	36.24	188.30	36.42	187.90	36.77	187.44	36.82	182.05	38.66
	12	10	199.80	34.65	199.40	34.75	199.00	34.83	198.56	35.06	191.63	34.99	182.05	36.74
	17	15	207.15	33.31	206.80	33.32	206.38	33.32	206.00	33.33	191.63	33.34	182.05	33.34
	22	20	210.19	31.50	209.86	31.51	208.42	31.51	206.00	31.52	191.63	31.52	182.05	31.53
	27	24	211.15	29.22	210.12	29.22	209.71	29.23	206.00	29.23	191.63	29.24	182.05	29.24
	32	29	214.82	26.05	212.71	26.05	211.68	26.06	206.00	26.06	191.63	26.06	182.05	26.07
	37	34	202.60	22.32	200.66	22.32	195.41	22.33	186.22	22.33	175.87	22.33	168.97	22.34
	42	38	221.71	19.01	213.66	19.01	205.86	19.01	195.03	19.01	184.19	19.02	176.97	18.02
	47	43	232.37	16.44	221.30	16.45	212.34	16.45	206.00	16.44	191.63	15.09	182.05	14.22
	52	47	238.15	16.10	227.71	16.10	219.05	16.10	206.00	15.01	191.63	13.80	182.05	13.01
	57	52	243.22	15.66	234.26	15.67	220.37	14.59	206.00	13.48	191.63	12.41	182.05	11.71
	62	56	247.26	15.32	234.74	14.45	220.37	13.42	206.00	12.42	191.63	11.44	182.05	10.81
	67	61	249.12	14.01	234.74	13.07	220.37	12.15	206.00	11.26	191.63	10.39	182.05	9.82
	72	66	249.12	12.72	234.74	11.87	220.37	11.05	206.00	10.25	191.63	9.47	182.05	8.96
	75	69	249.12	11.94	234.74	11.15	220.37	10.39	206.00	9.64	191.63	8.91	182.05	8.44
	90%	-13	-13	143.66	36.77	143.36	37.41	143.08	38.00	142.79	38.77	142.48	39.20	142.26
-8		-9	153.83	39.01	153.51	39.57	153.21	40.09	152.90	40.79	152.57	41.13	152.33	43.19
-3		-4	163.69	39.96	163.35	40.40	163.03	40.82	162.70	41.42	162.35	41.67	162.10	43.75
2		1	172.79	40.35	172.45	40.66	172.11	40.98	171.77	41.47	171.34	41.61	163.84	43.69
7		6	183.19	40.24	182.85	40.25	180.71	40.26	180.38	40.27	172.47	40.28	163.84	40.29
12		10	191.93	36.65	191.59	36.66	189.43	36.66	185.40	36.67	172.47	36.68	163.84	36.68
17		15	193.89	33.99	193.57	34.00	191.32	34.00	185.40	34.01	172.47	34.01	163.84	34.02
22		20	196.63	31.51	196.32	31.52	194.08	31.52	185.40	31.53	172.47	31.53	163.84	31.53
27		24	201.37	29.23	201.01	29.23	198.33	29.23	185.40	29.24	172.47	29.24	163.84	29.24
32		29	208.67	26.05	203.81	26.06	198.33	26.06	185.40	26.06	172.47	26.07	163.84	26.07
37		34	209.50	22.33	199.77	22.33	190.34	22.33	180.21	22.33	172.47	21.50	163.84	20.24
42		38	215.54	19.01	205.52	19.01	195.83	19.02	185.40	18.41	172.47	16.91	163.84	15.93
47		43	217.70	16.45	207.58	16.45	198.33	15.72	185.40	14.52	172.47	13.36	163.84	12.60
52		47	220.17	16.10	211.27	15.47	198.33	14.36	185.40	13.28	172.47	12.24	163.84	11.55
57		52	224.20	14.89	211.27	13.88	198.33	12.91	185.40	11.95	172.47	11.03	163.84	10.42
62		56	224.20	13.70	211.27	12.78	198.33	11.90	185.40	11.03	172.47	10.19	163.84	9.64
67		61	224.20	12.40	211.27	11.58	198.33	10.79	185.40	10.02	172.47	9.26	163.84	8.77
72		66	224.20	11.27	211.27	10.54	198.33	9.83	185.40	9.13	172.47	8.46	163.84	8.01
75		69	224.20	10.59	211.27	9.91	198.33	9.25	185.40	8.61	172.47	7.97	163.84	7.56
80%		-13	-13	140.72	40.45	140.42	41.15	140.11	41.80	139.93	42.65	139.63	43.12	139.41
	-8	-9	150.68	42.91	150.37	43.52	150.03	44.09	149.84	44.87	149.52	45.25	145.64	47.51
	-3	-4	160.34	43.96	160.01	44.44	159.65	44.90	159.45	45.56	153.30	45.83	145.64	47.36
	2	1	165.79	44.38	165.46	44.72	165.13	45.07	164.80	45.61	153.30	45.77	145.64	45.90
	7	6	174.05	40.26	172.13	40.27	170.10	40.28	164.80	40.29	153.30	40.29	145.64	40.30
	12	10	179.81	36.66	177.06	36.67	173.96	36.68	164.80	36.68	153.30	36.69	145.64	36.69
	17	15	185.74	34.00	183.21	34.01	173.96	34.01	164.80	34.02	153.30	34.02	145.64	34.02
	22	20	192.65	31.52	183.21	31.52	173.96	31.53	164.80	31.53	153.30	31.54	145.64	31.54
	27	24	192.65	29.23	183.21	29.24	173.96	29.24	164.80	29.24	153.30	29.25	145.64	28.93
	32	29	192.65	26.06	183.21	26.06	173.96	26.07	164.80	26.07	153.30	24.33	145.64	22.91
	37	34	192.65	22.33	183.21	22.33	173.96	22.07	164.80	20.38	153.30	18.74	145.64	17.67
	42	38	192.65	19.01	183.21	18.69	173.96	17.35	164.80	16.04	153.30	14.77	145.64	13.94
	47	43	192.65	15.81	183.21	14.74	173.96	13.70	164.80	12.69	153.30	11.70	145.64	11.06
	52	47	192.65	14.44	183.21	13.48	173.96	12.54	164.80	11.63	153.30	10.74	145.64	10.16
	57	52	192.65	12.98	183.21	12.13	173.96	11.30	164.80	10.49	153.30	9.70	145.64	9.18
	62	56	192.65	11.96	183.21	11.19	173.96	10.43	164.80	9.70	153.30	8.98	145.64	8.51
	67	61	192.65	10.85	183.21	10.16	173.96	9.48	164.80	8.82	153.30	8.18	145.64	7.76
	72	66	192.65	9.88	183.21	9.26	173.96	8.66	164.80	8.06	153.30	7.48	145.64	7.10
	75	69	192.65	9.30	183.21	8.72	173.96	8.16	164.80	7.61	153.30	7.06	145.64	6.71

NOTE - Power Input = Compressor + Outdoor Fan Motor.  
 MBH = 1000 BTUs per hour.



# HEATING CAPACITY - TWO MODULE - VRA192L4

Combination (%)	Outdoor Temperature (°F)		Indoor Temperature - °F Dry Bulb											
			61		64		67		70		73		75	
	Dry Bulb	Wet Bulb	Total Cap. MBH	Power Input kW	Total Cap. MBH	Power Input kW	Total Cap. MBH	Power Input kW	Total Cap. MBH	Power Input kW	Total Cap. MBH	Power Input kW	Total Cap. MBH	Power Input kW
70%	-13	-13	144.83	42.63	144.57	42.65	144.29	42.67	144.20	42.68	134.14	42.70	127.43	42.71
	-8	-9	149.84	44.85	147.91	44.87	145.99	44.88	144.20	44.90	134.14	44.91	127.43	44.92
	-3	-4	154.29	45.55	150.88	45.57	147.50	45.58	144.20	45.59	134.14	45.60	127.43	45.61
	2	1	158.29	45.61	153.55	45.62	148.85	45.62	144.20	45.63	134.14	45.64	127.43	45.65
	7	6	161.88	40.28	155.94	40.29	150.06	40.29	144.20	40.30	134.14	40.31	127.43	40.31
	12	10	165.14	36.68	158.12	36.68	151.17	36.69	144.20	36.70	134.14	36.70	127.43	36.70
	17	15	168.11	34.01	160.10	34.02	152.17	34.02	144.20	34.03	134.14	34.03	127.43	34.03
	22	20	168.11	31.53	160.10	31.53	152.17	31.54	144.20	31.54	134.14	31.44	127.43	29.58
	27	24	168.11	29.24	160.10	29.24	152.17	29.25	144.20	28.59	134.14	26.26	127.43	24.74
	32	29	168.11	26.07	160.10	26.07	152.17	24.50	144.20	22.65	134.14	20.84	127.43	19.67
	37	34	168.11	21.79	160.10	20.31	152.17	18.87	144.20	17.47	134.14	16.11	127.43	15.22
	42	38	168.11	17.13	160.10	15.99	152.17	14.87	144.20	13.79	134.14	12.73	127.43	12.04
	47	43	168.11	13.53	160.10	12.65	152.17	11.78	144.20	10.94	134.14	10.12	127.43	9.58
	52	47	168.11	12.39	160.10	11.59	152.17	10.81	144.20	10.05	134.14	9.31	127.43	8.82
	57	52	168.11	11.16	160.10	10.46	152.17	9.76	144.20	9.09	134.14	8.43	127.43	8.00
	62	56	168.11	10.31	160.10	9.67	152.17	9.04	144.20	8.42	134.14	7.82	127.43	7.42
	67	61	168.11	9.37	160.10	8.80	152.17	8.23	144.20	7.68	134.14	7.14	127.43	6.78
72	66	168.11	8.56	160.10	8.04	152.17	7.53	144.20	7.03	134.14	6.55	127.43	6.23	
75	69	168.11	8.07	160.10	7.58	152.17	7.11	144.20	6.64	134.14	6.19	127.43	5.89	
60%	-13	-13	124.14	42.67	123.92	42.69	123.68	42.70	123.60	42.71	114.98	42.73	109.23	42.74
	-8	-9	128.03	44.89	126.52	44.90	125.00	44.91	123.60	44.93	114.98	44.94	109.23	44.95
	-3	-4	131.67	45.58	128.95	45.59	126.23	45.60	123.60	45.61	114.98	45.62	109.23	45.63
	2	1	135.09	45.63	131.24	45.64	127.39	45.65	123.60	45.65	114.98	45.66	109.23	45.67
	7	6	138.31	40.30	133.39	40.30	128.47	40.31	123.60	40.31	114.98	40.32	109.23	40.32
	12	10	141.34	36.69	135.42	36.70	129.50	36.70	123.60	36.71	114.98	36.71	109.23	36.71
	17	15	144.20	34.02	137.33	34.03	130.47	34.03	123.60	34.03	114.98	32.68	109.23	30.77
	22	20	147.60	31.54	139.18	31.54	132.22	30.90	123.60	28.54	114.98	26.24	109.23	24.75
	27	24	149.47	29.25	140.85	27.81	132.22	25.82	123.60	23.89	114.98	22.01	109.23	20.78
	32	29	149.47	23.61	140.85	22.04	132.22	20.50	123.60	19.01	114.98	17.55	109.23	16.60
	37	34	149.47	18.20	140.85	17.01	132.22	15.86	123.60	14.72	114.98	13.62	109.23	12.90
	42	38	149.47	14.35	140.85	13.43	132.22	12.53	123.60	11.66	114.98	10.80	109.23	10.24
	47	43	149.47	11.38	140.85	10.66	132.22	9.96	123.60	9.28	114.98	8.61	109.23	8.17
	52	47	149.47	10.45	140.85	9.80	132.22	9.17	123.60	8.55	114.98	7.94	109.23	7.54
	57	52	149.47	9.44	140.85	8.87	132.22	8.30	123.60	7.75	114.98	7.21	109.23	6.86
	62	56	149.47	8.74	140.85	8.22	132.22	7.70	123.60	7.20	114.98	6.70	109.23	6.38
	67	61	149.47	7.97	140.85	7.50	132.22	7.04	123.60	6.58	114.98	6.14	109.23	5.85
72	66	149.47	7.29	140.85	6.87	132.22	6.45	123.60	6.04	114.98	5.64	109.23	5.38	
75	69	149.47	6.89	140.85	6.49	132.22	6.10	123.60	5.72	114.98	5.35	109.23	5.10	
50%	-13	-13	103.58	42.71	103.36	42.72	103.19	42.74	103.00	42.75	95.81	42.76	91.02	42.77
	-8	-9	106.60	44.92	105.85	44.93	104.17	44.95	103.00	44.96	95.81	44.97	91.02	44.97
	-3	-4	109.54	45.61	108.27	45.62	105.66	45.63	103.00	45.64	95.81	45.65	91.02	45.65
	2	1	112.41	45.65	110.63	45.66	107.44	45.67	103.00	45.67	95.81	45.68	91.02	45.69
	7	6	115.21	40.31	112.94	40.32	109.11	40.32	103.00	40.33	95.81	40.33	91.02	40.34
	12	10	117.94	36.71	115.18	36.71	110.19	36.71	103.00	36.54	95.81	33.54	91.02	31.60
	17	15	120.60	34.03	117.37	33.49	110.19	31.08	103.00	28.74	95.81	26.46	91.02	24.98
	22	20	124.56	28.80	117.37	26.87	110.19	25.00	103.00	23.17	95.81	21.39	91.02	20.23
	27	24	124.56	24.10	117.37	22.53	110.19	20.99	103.00	19.49	95.81	18.02	91.02	17.07
	32	29	124.56	19.17	117.37	17.95	110.19	16.75	103.00	15.59	95.81	14.44	91.02	13.70
	37	34	124.56	14.85	117.37	13.92	110.19	13.02	103.00	12.13	95.81	11.27	91.02	10.70
	42	38	124.56	11.75	117.37	11.03	110.19	10.33	103.00	9.64	95.81	8.96	91.02	8.52
	47	43	124.56	9.35	117.37	8.79	110.19	8.24	103.00	7.71	95.81	7.18	91.02	6.83
	52	47	124.56	8.62	117.37	8.11	110.19	7.61	103.00	7.12	95.81	6.64	91.02	6.32
	57	52	124.56	7.81	117.37	7.36	110.19	6.92	103.00	6.48	95.81	6.05	91.02	5.77
	62	56	124.56	7.25	117.37	6.84	110.19	6.43	103.00	6.03	95.81	5.64	91.02	5.38
	67	61	124.56	6.63	117.37	6.26	110.19	5.90	103.00	5.54	95.81	5.18	91.02	4.95
72	66	124.56	6.09	117.37	5.75	110.19	5.42	103.00	5.10	95.81	4.78	91.02	4.57	
75	69	124.56	5.76	117.37	5.45	110.19	5.14	103.00	4.84	95.81	4.54	91.02	4.34	

NOTE - Power Input = Compressor + Outdoor Fan Motor.  
MBH = 1000 BTUs per hour.



## COOLING CAPACITY - TWO MODULE - VRA216L4

Combination (%)	Outdoor Temperature °F (Dry Bulb)	Indoor Temperature - °F (Dry Bulb / Wet Bulb)											
		67 / 57		71 / 60		75 / 63		80 / 67		85 / 71		90 / 75	
		Total Cap.	Power Input	Total Cap.	Power Input	Total Cap.	Power Input	Total Cap.	Power Input	Total Cap.	Power Input	Total Cap.	Power Input
		MBH	kW	MBH	kW	MBH	kW	MBH	kW	MBH	kW	MBH	kW
130%	25	175.34	6.91	204.24	8.19	232.50	9.49	270.72	11.34	292.88	11.36	299.62	11.66
	30	175.34	7.07	204.24	8.38	232.50	9.73	270.72	11.61	288.06	11.65	294.81	11.94
	35	175.34	7.23	204.24	8.58	232.50	9.96	270.72	11.89	283.24	11.91	290.47	12.24
	40	175.34	7.40	204.24	8.79	232.50	10.19	270.72	12.17	278.43	12.19	286.13	12.53
	45	175.34	7.59	204.24	9.01	232.50	10.46	266.38	12.13	273.85	12.21	281.32	12.63
	50	175.34	7.78	204.24	9.23	232.50	10.73	262.05	12.08	269.27	12.30	276.50	12.73
	55	175.34	7.97	204.24	9.46	232.50	11.03	257.23	11.99	264.46	12.41	271.68	12.87
	60	175.34	8.18	204.24	9.72	232.50	11.31	252.42	12.13	259.88	12.52	266.87	13.11
	65	175.34	8.54	204.24	10.24	232.50	12.16	244.71	12.98	252.78	13.25	259.16	13.57
	70	175.34	8.73	204.24	10.82	229.94	12.83	243.74	13.68	250.49	13.89	257.23	14.08
	75	175.34	9.63	204.24	11.96	226.72	13.81	238.93	14.53	245.67	14.67	252.42	14.82
	80	175.34	10.50	204.24	13.10	223.51	14.83	234.11	15.36	240.85	15.52	248.56	15.74
	85	175.34	11.51	204.24	14.38	220.30	15.84	229.29	16.23	236.04	16.42	243.74	16.61
	90	175.34	12.60	203.70	15.68	216.85	16.89	224.48	17.10	231.58	17.32	238.20	17.48
	95	175.34	13.68	200.63	16.66	212.92	17.77	219.66	18.02	226.88	18.21	228.33	18.21
	100	175.34	14.98	197.02	17.67	208.10	18.69	214.12	18.85	216.29	18.92	216.29	18.92
	105	175.34	16.45	193.41	18.79	202.42	19.69	204.57	19.79	204.57	19.79	204.57	19.79
	110	175.34	18.40	188.35	20.24	192.68	20.86	193.65	20.86	193.65	20.86	193.65	20.95
115	166.67	21.04	166.67	21.04	167.31	21.11	167.63	21.14	168.12	21.14	168.60	21.23	
118	143.34	19.18	143.34	19.18	143.89	19.24	144.17	19.27	144.58	19.27	144.99	19.36	
120%	25	161.85	6.33	188.59	7.48	214.84	8.67	249.52	10.30	283.24	11.03	294.81	11.49
	30	161.85	6.47	188.59	7.66	214.84	8.87	249.52	10.57	280.84	11.30	289.99	11.76
	35	161.85	6.62	188.59	7.84	214.84	9.08	249.52	10.81	277.46	11.57	285.17	12.06
	40	161.85	6.78	188.59	8.02	214.84	9.29	249.52	11.04	274.09	11.83	280.35	12.35
	45	161.85	6.94	188.59	8.23	214.84	9.55	249.52	11.37	269.52	11.97	276.02	12.44
	50	161.85	7.11	188.59	8.43	214.84	9.81	249.52	11.70	264.94	12.12	271.68	12.54
	55	161.85	7.29	188.59	8.65	214.84	10.05	249.52	11.96	260.12	12.22	266.87	12.68
	60	161.85	7.48	188.59	8.88	214.84	10.32	248.08	12.17	255.31	12.33	262.05	12.92
	65	161.85	7.80	188.59	9.24	214.84	10.92	241.58	12.67	247.60	13.05	254.34	13.37
	70	161.85	7.89	188.59	9.69	214.84	11.67	238.93	13.59	246.15	13.68	252.42	13.87
	75	161.85	8.59	188.59	10.64	214.84	12.83	235.07	14.44	241.34	14.58	247.60	14.72
	80	161.85	9.41	188.59	11.66	214.68	14.11	230.26	15.26	236.52	15.43	242.78	15.57
	85	161.85	10.29	188.59	12.76	212.92	15.19	225.44	16.14	231.70	16.33	238.45	16.51
	90	161.85	11.23	188.59	13.99	209.70	16.23	220.62	17.01	227.25	17.22	234.11	17.39
	95	161.85	12.27	188.59	15.24	206.49	17.24	215.81	17.93	222.55	18.07	228.33	18.21
	100	161.85	13.35	188.59	16.66	203.28	18.32	210.99	18.78	215.56	18.92	216.29	18.92
	105	161.85	14.69	187.63	18.21	199.64	19.57	204.24	19.79	204.57	19.79	204.57	19.79
	110	161.85	16.33	184.25	19.72	192.36	20.86	193.65	20.86	193.65	20.86	193.65	20.95
115	161.85	18.21	165.47	20.34	167.31	21.11	167.63	21.14	168.12	21.14	168.60	21.23	
118	143.34	17.10	143.34	18.67	143.89	19.24	144.17	19.27	144.58	19.27	144.99	19.36	
110%	25	148.37	5.77	172.93	6.79	197.18	7.85	229.29	9.33	261.09	10.87	289.99	11.32
	30	148.37	5.90	172.93	6.95	197.18	8.04	229.29	9.53	261.09	11.14	285.17	11.59
	35	148.37	6.03	172.93	7.11	197.18	8.23	229.29	9.77	261.09	11.40	280.35	11.88
	40	148.37	6.16	172.93	7.27	197.18	8.42	229.29	10.00	261.09	11.65	275.54	12.16
	45	148.37	6.31	172.93	7.46	197.18	8.64	229.29	10.29	259.40	11.80	270.72	12.26
	50	148.37	6.45	172.93	7.64	197.18	8.86	229.29	10.57	257.71	11.94	265.90	12.36
	55	148.37	6.62	172.93	7.83	197.18	9.07	229.29	10.81	255.06	12.04	262.05	12.49
	60	148.37	6.79	172.93	8.04	197.18	9.33	229.29	11.09	250.97	12.15	257.23	12.73
	65	148.37	7.07	172.93	8.39	197.18	9.78	229.29	11.87	243.26	12.86	249.52	13.17
	70	148.37	7.15	172.93	8.60	197.18	10.26	229.29	12.83	241.34	13.59	247.60	13.79
	75	148.37	7.64	172.93	9.41	197.18	11.32	229.29	14.16	236.52	14.49	242.78	14.63
	80	148.37	8.36	172.93	10.32	197.18	12.43	226.40	15.17	231.82	15.32	237.96	15.48
	85	148.37	9.13	172.93	11.31	197.18	13.61	221.59	16.04	227.61	16.21	233.15	16.37
	90	148.37	9.93	172.93	12.30	197.18	14.87	216.77	16.92	223.03	17.06	228.33	17.27
	95	148.37	10.85	172.93	13.47	197.18	16.29	211.95	17.74	218.21	17.98	224.48	18.12
	100	148.37	11.80	172.93	14.68	195.41	17.53	207.13	18.66	213.04	18.82	216.29	18.92
	105	148.37	12.93	172.93	16.11	192.68	18.75	202.32	19.72	204.57	19.79	204.57	19.79
	110	148.37	14.44	172.93	17.98	188.83	20.29	193.65	20.86	193.65	20.86	193.65	20.95
115	148.37	16.04	162.09	19.79	167.31	21.11	167.63	21.14	168.12	21.14	168.60	21.23	
118	143.34	16.43	143.34	18.55	143.89	19.24	144.17	19.27	144.58	19.27	144.99	19.36	

NOTE - Power Input = Compressor + Outdoor Fan Motor.  
MBH = 1000 BTUs per hour.

## COOLING CAPACITY - TWO MODULE - VRA216L4

Combination (%)	Outdoor Temperature °F (Dry Bulb)	Indoor Temperature - °F (Dry Bulb / Wet Bulb)											
		67 / 57		71 / 60		75 / 63		80 / 67		85 / 71		90 / 75	
		Total Cap.	Power Input	Total Cap.	Power Input	Total Cap.	Power Input	Total Cap.	Power Input	Total Cap.	Power Input	Total Cap.	Power Input
		MBH	kW	MBH	kW	MBH	kW	MBH	kW	MBH	kW	MBH	kW
100%	25	134.88	5.23	156.56	6.13	178.55	7.06	206.00	8.36	237.48	9.74	266.87	11.15
	30	134.88	5.34	156.56	6.26	178.55	7.22	206.00	8.56	237.48	9.96	266.87	11.42
	35	134.88	5.46	156.56	6.41	178.55	7.39	206.00	8.77	237.48	10.22	266.87	11.70
	40	134.88	5.58	156.56	6.55	178.55	7.57	206.00	8.97	237.48	10.48	266.87	11.99
	45	134.88	5.70	156.56	6.71	178.55	7.75	206.00	9.21	237.48	10.73	263.98	12.08
	50	134.88	5.83	156.56	6.87	178.55	7.94	206.00	9.44	237.48	10.99	261.09	12.17
	55	134.88	5.97	156.56	7.04	178.55	8.15	206.00	9.67	237.48	11.29	256.27	12.31
	60	134.88	6.12	156.56	7.22	178.55	8.37	206.00	9.96	237.48	11.61	251.93	12.54
	65	134.88	6.37	156.56	7.53	178.55	8.72	206.00	10.45	236.40	12.42	245.43	12.98
	70	134.88	6.45	156.56	7.62	178.55	8.96	206.00	11.14	234.11	13.21	242.78	13.59
	75	134.88	6.75	156.56	8.25	178.55	9.84	206.00	12.27	232.18	14.34	237.96	14.44
	80	134.88	7.38	156.56	9.03	178.55	10.82	206.00	13.47	227.85	15.22	233.15	15.36
	85	134.88	8.05	156.56	9.87	178.55	11.83	206.00	14.77	223.03	16.07	228.33	16.23
	90	134.88	8.76	156.56	10.75	178.55	12.94	206.00	16.14	218.21	16.95	223.51	17.10
	95	134.88	9.53	156.56	11.73	178.55	14.09	<b>206.00</b>	<b>17.68</b>	213.40	17.79	218.70	18.02
	100	134.88	10.36	156.56	12.82	178.55	15.43	203.28	18.50	208.58	18.71	213.40	18.85
	105	134.88	11.36	156.56	14.07	178.55	16.94	198.46	19.57	203.44	19.74	204.57	19.79
	110	134.88	12.65	156.56	15.69	178.55	18.91	193.65	20.86	193.65	20.86	193.65	20.95
115	134.88	14.06	156.56	17.39	166.35	20.26	167.63	21.14	168.12	21.14	168.60	21.23	
118	134.88	14.90	137.77	16.22	143.89	18.57	144.17	19.27	144.58	19.27	144.99	19.36	
90%	25	121.39	4.71	140.90	5.48	160.89	6.29	186.90	7.43	213.88	8.62	239.89	9.83
	30	121.39	4.80	140.90	5.60	160.89	6.43	186.90	7.60	213.88	8.82	239.89	10.10
	35	121.39	4.90	140.90	5.73	160.89	6.58	186.90	7.78	213.88	9.05	239.89	10.33
	40	121.39	5.00	140.90	5.85	160.89	6.73	186.90	7.96	213.88	9.28	239.89	10.57
	45	121.39	5.11	140.90	5.99	160.89	6.90	186.90	8.16	213.88	9.51	239.89	10.85
	50	121.39	5.23	140.90	6.13	160.89	7.06	186.90	8.36	213.88	9.74	239.89	11.14
	55	121.39	5.35	140.90	6.27	160.89	7.24	186.90	8.59	213.88	9.97	239.89	11.40
	60	121.39	5.48	140.90	6.43	160.89	7.43	186.90	8.81	213.88	10.26	239.89	11.75
	65	121.39	5.69	140.90	6.70	160.89	7.74	186.90	9.19	213.88	10.77	239.89	12.74
	70	121.39	5.76	140.90	6.78	160.89	7.83	186.90	9.53	213.88	11.56	237.96	13.50
	75	121.39	5.92	140.90	7.17	160.89	8.52	186.90	10.48	213.88	12.74	233.15	14.34
	80	121.39	6.46	140.90	7.85	160.89	9.31	186.90	11.54	213.88	13.99	228.33	15.26
	85	121.39	7.04	140.90	8.56	160.89	10.20	186.90	12.65	213.16	15.26	223.51	16.09
	90	121.39	7.65	140.90	9.35	160.89	11.16	186.90	13.83	210.99	16.43	218.70	16.99
	95	121.39	8.31	140.90	10.15	160.89	12.14	186.90	15.10	208.58	17.65	213.88	17.84
	100	121.39	9.01	140.90	11.05	160.89	13.25	186.90	16.44	204.36	18.54	209.06	18.69
	105	121.39	9.88	140.90	12.12	160.89	14.52	186.90	18.12	199.91	19.61	203.60	19.75
	110	121.39	10.95	140.90	13.50	160.89	16.23	186.90	20.20	193.65	20.86	193.65	20.95
115	121.39	12.17	140.90	15.00	160.89	19.41	167.63	21.14	168.12	21.14	168.60	21.23	
118	121.39	12.90	137.77	15.55	139.97	17.90	144.17	19.27	144.58	19.27	144.99	19.36	
80%	25	107.90	4.20	125.24	4.87	143.23	5.56	166.67	6.52	189.79	7.54	212.92	8.60
	30	107.90	4.28	125.24	4.96	143.23	5.67	166.67	6.66	189.79	7.71	212.92	8.80
	35	107.90	4.37	125.24	5.07	143.23	5.80	166.67	6.82	189.79	7.90	212.92	9.02
	40	107.90	4.45	125.24	5.18	143.23	5.93	166.67	6.97	189.79	8.09	212.92	9.23
	45	107.90	4.55	125.24	5.30	143.23	6.07	166.67	7.15	189.79	8.29	212.92	9.47
	50	107.90	4.65	125.24	5.42	143.23	6.21	166.67	7.32	189.79	8.50	212.92	9.72
	55	107.90	4.75	125.24	5.54	143.23	6.36	166.67	7.51	189.79	8.72	212.92	9.96
	60	107.90	4.86	125.24	5.67	143.23	6.52	166.67	7.71	189.79	8.95	212.92	10.24
	65	107.90	5.05	125.24	5.90	143.23	6.79	166.67	8.03	189.79	9.33	212.92	10.81
	70	107.90	5.10	125.24	5.97	143.23	6.87	166.67	8.13	189.79	9.76	212.92	11.51
	75	107.90	5.23	125.24	6.20	143.23	7.28	166.67	8.91	189.79	10.76	212.92	12.74
	80	107.90	5.61	125.24	6.75	143.23	7.97	166.67	9.79	189.79	11.78	212.92	13.94
	85	107.90	6.10	125.24	7.35	143.23	8.68	166.67	10.66	189.79	12.91	212.92	15.29
	90	107.90	6.62	125.24	8.00	143.23	9.49	166.67	11.68	189.79	14.10	212.92	16.70
	95	107.90	7.17	125.24	8.69	143.23	10.30	166.67	12.74	189.79	15.43	209.06	17.65
	100	107.90	7.78	125.24	9.43	143.23	11.21	166.67	13.85	189.79	16.81	204.24	18.57
	105	107.90	8.50	125.24	10.31	143.23	12.32	166.67	15.26	189.79	18.48	199.43	19.57
	110	107.90	9.42	125.24	11.48	143.23	13.68	166.67	16.99	187.87	20.29	193.65	20.95
115	107.90	10.38	125.24	12.72	143.23	15.26	166.67	18.87	168.12	21.14	168.60	21.23	
118	107.90	11.00	125.24	13.48	139.97	15.80	144.17	17.31	144.58	19.27	144.99	19.36	

NOTE - Power Input = Compressor + Outdoor Fan Motor.  
MBH = 1000 BTUs per hour.

## COOLING CAPACITY - TWO MODULE - VRA216L4

Combination (%)	Outdoor Temperature °F (Dry Bulb)	Indoor Temperature - °F (Dry Bulb / Wet Bulb)											
		67 / 57		71 / 60		75 / 63		80 / 67		85 / 71		90 / 75	
		Total Cap.	Power Input	Total Cap.	Power Input	Total Cap.	Power Input	Total Cap.	Power Input	Total Cap.	Power Input	Total Cap.	Power Input
		MBH	kW	MBH	kW	MBH	kW	MBH	kW	MBH	kW	MBH	kW
70%	25	94.51	3.73	109.61	4.28	124.92	4.85	145.48	5.65	166.19	6.51	186.90	7.40
	30	94.51	3.79	109.61	4.36	124.92	4.95	145.48	5.78	166.19	6.65	186.90	7.56
	35	94.51	3.86	109.61	4.45	124.92	5.05	145.48	5.91	166.19	6.81	186.90	7.74
	40	94.51	3.94	109.61	4.54	124.92	5.16	145.48	6.04	166.19	6.96	186.90	7.93
	45	94.51	4.02	109.61	4.63	124.92	5.28	145.48	6.18	166.19	7.14	186.90	8.13
	50	94.51	4.10	109.61	4.73	124.92	5.39	145.48	6.32	166.19	7.31	186.90	8.33
	55	94.51	4.18	109.61	4.84	124.92	5.52	145.48	6.48	166.19	7.49	186.90	8.55
	60	94.51	4.27	109.61	4.95	124.92	5.66	145.48	6.64	166.19	7.69	186.90	8.78
	65	94.51	4.43	109.61	5.14	124.92	5.88	145.48	6.92	166.19	8.02	186.90	9.15
	70	94.51	4.47	109.61	5.20	124.92	5.95	145.48	7.00	166.19	8.13	186.90	9.53
	75	94.51	4.58	109.61	5.33	124.92	6.16	145.48	7.45	166.19	8.89	186.90	10.48
	80	94.51	4.82	109.61	5.73	124.92	6.71	145.48	8.15	166.19	9.76	186.90	11.44
	85	94.51	5.23	109.61	6.24	124.92	7.32	145.48	8.89	166.19	10.66	186.90	12.55
	90	94.51	5.67	109.61	6.77	124.92	7.96	145.48	9.66	166.19	11.64	186.90	13.73
	95	94.51	6.13	109.61	7.34	124.92	8.65	145.48	10.57	166.19	12.65	186.90	15.00
	100	94.51	6.63	109.61	7.96	124.92	9.39	145.48	11.51	166.19	13.83	186.90	16.35
	105	94.51	7.24	109.61	8.70	124.92	10.28	145.48	12.58	166.19	15.19	186.90	18.02
	110	94.51	8.00	109.61	9.64	124.92	11.45	145.48	14.06	166.19	16.94	186.90	20.10
115	94.51	8.83	109.61	10.70	124.92	12.71	145.48	15.57	164.74	19.58	168.60	21.23	
118	94.51	9.36	109.61	11.34	124.92	13.47	130.93	14.85	144.58	18.22	144.99	19.36	
60%	25	81.02	3.28	93.96	3.72	107.26	4.18	125.24	4.83	142.10	5.52	159.93	6.24
	30	81.02	3.33	93.96	3.78	107.26	4.26	125.24	4.93	142.10	5.64	159.93	6.38
	35	81.02	3.39	93.96	3.86	107.26	4.35	125.24	5.03	142.10	5.77	159.93	6.53
	40	81.02	3.44	93.96	3.93	107.26	4.43	125.24	5.14	142.10	5.89	159.93	6.68
	45	81.02	3.51	93.96	4.01	107.26	4.53	125.24	5.26	142.10	6.04	159.93	6.84
	50	81.02	3.58	93.96	4.09	107.26	4.62	125.24	5.38	142.10	6.18	159.93	7.00
	55	81.02	3.64	93.96	4.17	107.26	4.72	125.24	5.50	142.10	6.33	159.93	7.18
	60	81.02	3.72	93.96	4.26	107.26	4.83	125.24	5.63	142.10	6.48	159.93	7.37
	65	81.02	3.84	93.96	4.41	107.26	5.01	125.24	5.86	142.10	6.75	159.93	7.68
	70	81.02	3.88	93.96	4.46	107.26	5.07	125.24	5.93	142.10	6.83	159.93	7.78
	75	81.02	3.96	93.96	4.57	107.26	5.19	125.24	6.12	142.10	7.23	159.93	8.44
	80	81.02	4.10	93.96	4.81	107.26	5.57	125.24	6.68	142.10	7.91	159.93	9.23
	85	81.02	4.43	93.96	5.22	107.26	6.06	125.24	7.28	142.10	8.63	159.93	10.10
	90	81.02	4.79	93.96	5.66	107.26	6.58	125.24	7.92	142.10	9.42	159.93	11.04
	95	81.02	5.17	93.96	6.12	107.26	7.13	125.24	8.61	142.10	10.24	159.93	11.99
	100	81.02	5.58	93.96	6.62	107.26	7.73	125.24	9.35	142.10	11.14	159.93	13.07
	105	81.02	6.07	93.96	7.22	107.26	8.44	125.24	10.25	142.10	12.24	159.93	14.41
	110	81.02	6.70	93.96	7.98	107.26	9.35	125.24	11.32	142.10	13.59	159.93	16.04
115	81.02	7.38	93.96	8.82	107.26	10.33	125.24	12.65	142.10	15.10	159.93	17.84	
118	81.02	7.82	93.96	9.35	107.26	10.95	125.24	13.40	130.74	14.72	144.99	17.14	
50%	25	67.54	2.83	78.30	3.16	89.60	3.51	105.01	4.01	118.02	4.54	132.95	5.09
	30	67.54	2.87	78.30	3.21	89.60	3.58	105.01	4.08	118.02	4.62	132.95	5.20
	35	67.54	2.91	78.30	3.26	89.60	3.64	105.01	4.16	118.02	4.72	132.95	5.32
	40	67.54	2.95	78.30	3.31	89.60	3.71	105.01	4.25	118.02	4.82	132.95	5.44
	45	67.54	3.01	78.30	3.38	89.60	3.78	105.01	4.34	118.02	4.93	132.95	5.55
	50	67.54	3.06	78.30	3.44	89.60	3.85	105.01	4.44	118.02	5.04	132.95	5.67
	55	67.54	3.10	78.30	3.51	89.60	3.93	105.01	4.52	118.02	5.16	132.95	5.82
	60	67.54	3.16	78.30	3.58	89.60	4.01	105.01	4.62	118.02	5.28	132.95	5.96
	65	67.54	3.25	78.30	3.68	89.60	4.14	105.01	4.81	118.02	5.48	132.95	6.20
	70	67.54	3.28	78.30	3.72	89.60	4.19	105.01	4.85	118.02	5.52	132.95	6.02
	75	67.54	3.35	78.30	3.80	89.60	4.22	105.01	4.78	118.02	5.58	132.95	6.40
	80	67.54	3.38	78.30	3.88	89.60	4.42	105.01	5.20	118.02	6.06	132.95	7.02
	85	67.54	3.62	78.30	4.20	89.60	4.80	105.01	5.67	118.02	6.60	132.95	7.64
	90	67.54	3.91	78.30	4.54	89.60	5.19	105.01	6.18	118.02	7.21	132.95	8.35
	95	67.54	4.21	78.30	4.90	89.60	5.61	105.01	6.64	118.02	7.83	132.95	8.97
	100	67.54	4.52	78.30	5.27	89.60	6.06	105.01	7.18	118.02	8.45	132.95	9.79
	105	67.54	4.91	78.30	5.73	89.60	6.61	105.01	7.93	118.02	9.28	132.95	10.79
	110	67.54	5.40	78.30	6.32	89.60	7.24	105.01	8.59	118.02	10.24	132.95	11.99
115	67.54	5.93	78.30	6.93	89.60	7.96	105.01	9.72	118.02	10.62	132.95	14.44	
118	67.54	6.28	78.30	7.35	89.60	8.44	105.01	10.30	118.02	11.25	132.95	15.31	

NOTE - Power Input = Compressor + Outdoor Fan Motor.  
MBH = 1000 BTUs per hour.

# HEATING CAPACITY - TWO MODULE - VRA216L4

Combination (%)	Outdoor Temperature (°F)		Indoor Temperature - °F Dry Bulb											
			61		64		67		70		73		75	
	Dry Bulb	Wet Bulb	Total Cap. MBH	Power Input kW	Total Cap. MBH	Power Input kW	Total Cap. MBH	Power Input kW	Total Cap. MBH	Power Input kW	Total Cap. MBH	Power Input kW	Total Cap. MBH	Power Input kW
130%	-13	-13	151.60	29.47	151.02	30.67	150.70	31.66	150.30	32.73	149.77	33.73	149.59	34.35
	-8	-9	164.38	31.96	163.76	33.01	163.41	33.90	162.97	34.83	162.41	35.67	162.21	36.21
	-3	-4	176.85	33.81	176.18	34.66	175.80	35.41	175.34	36.15	174.72	36.81	174.52	37.24
	2	1	190.15	35.23	189.46	35.84	188.84	36.42	188.26	36.96	187.85	37.40	187.49	37.72
	7	6	203.38	36.03	202.69	36.46	201.98	36.84	201.62	37.18	200.97	37.46	200.57	37.65
	12	10	216.90	35.90	216.19	36.12	215.44	36.30	215.07	36.43	214.45	36.56	214.01	36.63
	17	15	229.57	35.83	228.86	35.84	228.47	35.84	227.68	35.85	227.18	35.86	226.63	35.87
	22	20	232.75	34.23	232.07	34.24	231.70	34.25	230.84	34.25	230.47	34.26	229.94	34.27
	27	24	235.26	31.76	234.38	31.76	233.82	31.77	233.55	31.78	232.76	31.79	231.98	31.79
	32	29	236.01	28.48	235.34	28.49	234.72	28.49	234.23	28.50	233.73	28.51	233.14	28.51
	37	34	220.83	24.90	220.34	24.91	219.74	24.91	219.30	24.91	219.01	24.92	218.86	24.92
	42	38	241.65	21.19	241.25	21.19	240.58	21.20	234.56	21.20	232.90	21.21	231.29	21.21
	47	43	260.73	18.19	255.51	18.19	249.58	18.20	243.65	18.20	237.73	18.20	234.94	18.20
	52	47	271.51	17.96	265.58	17.96	259.66	17.96	253.73	17.97	247.81	17.97	243.86	17.97
	57	52	284.11	17.67	278.18	17.67	272.26	17.67	266.33	17.67	260.41	17.68	256.41	17.67
	62	56	294.19	17.43	288.26	17.44	282.34	17.44	276.41	17.44	269.95	17.38	257.34	16.45
	67	61	306.79	17.14	300.86	17.14	294.94	17.14	289.01	17.15	270.88	15.93	257.34	15.00
72	66	319.39	16.85	313.46	16.85	307.54	16.85	291.20	15.88	270.88	14.59	257.34	13.76	
75	69	326.95	16.67	321.02	16.67	315.10	16.68	292.51	15.12	270.88	13.79	257.34	13.01	
120%	-13	-13	150.93	31.63	150.47	32.43	150.04	33.27	149.70	34.06	149.28	34.82	149.00	35.27
	-8	-9	163.67	33.86	163.16	34.58	162.70	35.31	162.32	36.00	161.87	36.65	161.57	37.03
	-3	-4	176.08	35.37	175.54	35.97	175.04	36.56	174.63	37.12	174.15	37.62	173.83	37.94
	2	1	189.08	36.38	188.53	36.84	188.02	37.28	187.61	37.69	186.96	38.04	186.63	38.27
	7	6	202.18	36.83	201.62	37.14	201.10	37.42	200.69	37.70	200.02	37.91	199.69	38.07
	12	10	215.64	36.28	215.07	36.43	214.55	36.55	214.13	36.71	213.58	36.79	213.12	36.86
	17	15	228.38	35.84	227.82	35.85	227.30	35.86	226.63	35.86	226.21	35.87	225.87	35.88
	22	20	231.62	34.24	231.08	34.25	230.58	34.26	229.94	34.26	229.54	34.27	229.22	34.28
	27	24	233.02	31.77	233.02	31.77	233.02	31.78	233.02	31.79	230.76	31.79	230.76	31.80
	32	29	234.57	28.49	233.93	28.50	233.72	28.50	233.72	28.51	232.45	28.51	232.45	28.51
	37	34	220.02	24.91	219.32	24.91	219.08	24.92	219.08	24.92	210.05	24.92	207.14	24.93
	42	38	231.25	21.20	229.43	21.20	227.93	21.20	227.93	21.21	222.39	21.21	217.97	21.21
	47	43	251.52	18.20	246.09	18.20	242.59	18.20	237.12	18.20	231.65	18.21	228.00	18.21
	52	47	263.64	17.96	258.16	17.96	252.68	17.97	247.20	17.97	241.72	17.97	237.54	17.97
	57	52	276.28	17.67	270.79	17.67	265.29	17.67	259.80	17.68	250.05	17.31	237.54	16.29
	62	56	285.44	17.29	279.50	17.29	274.03	17.29	268.55	17.29	250.05	15.93	237.54	15.00
	67	61	297.44	16.91	291.18	16.91	285.71	16.92	268.80	15.78	250.05	14.51	237.54	13.68
72	66	308.62	16.58	303.15	16.58	287.55	15.65	268.80	14.46	250.05	13.31	237.54	12.56	
75	69	315.81	16.39	310.34	16.39	288.66	14.90	268.80	13.67	250.05	12.59	237.54	11.89	
110%	-13	-13	150.24	33.05	149.83	33.78	149.42	34.47	149.00	35.15	148.66	35.72	148.38	36.06
	-8	-9	162.91	35.12	162.47	35.75	162.02	36.34	161.57	36.94	161.20	37.42	160.90	37.68
	-3	-4	175.27	36.40	174.79	36.91	174.31	37.39	173.83	37.88	173.42	38.24	173.10	38.41
	2	1	188.10	37.15	187.73	37.52	187.28	37.88	186.76	38.24	186.26	38.48	186.02	38.56
	7	6	201.19	37.33	200.81	37.57	200.36	37.81	199.94	38.05	199.33	38.18	199.10	38.19
	12	10	214.63	36.51	214.25	36.63	213.79	36.76	213.37	36.85	212.88	36.89	212.55	36.85
	17	15	226.34	35.85	225.78	35.86	225.42	35.87	225.87	35.87	225.45	35.88	217.75	35.89
	22	20	230.66	34.25	228.98	34.26	228.64	34.27	226.95	34.27	226.56	34.28	217.75	34.28
	27	24	236.48	31.78	234.86	31.78	233.81	31.79	228.48	31.79	228.48	31.80	217.75	31.80
	32	29	237.21	28.50	236.75	28.50	235.89	28.51	231.30	28.51	229.05	28.52	217.75	28.52
	37	34	219.08	24.91	219.08	24.92	219.08	24.92	217.22	24.92	208.21	24.93	201.37	24.93
	42	38	232.85	21.20	232.85	21.20	229.13	21.21	221.32	21.21	216.24	21.21	208.52	21.21
	47	43	245.63	18.20	241.26	18.20	236.23	18.20	230.58	18.21	225.57	18.21	217.75	17.60
	52	47	255.74	17.97	253.22	17.97	246.35	17.97	240.66	17.97	229.21	17.22	217.75	16.21
	57	52	267.19	17.54	262.17	17.54	257.16	17.54	246.40	16.88	229.21	15.51	217.75	14.61
	62	56	276.77	17.26	271.75	17.26	263.59	16.92	246.40	15.63	229.21	14.37	217.75	13.55
	67	61	288.74	16.92	280.78	16.63	263.59	15.43	246.40	14.27	229.21	13.14	217.75	12.40
72	66	297.97	16.33	280.78	15.22	263.59	14.14	246.40	13.09	229.21	12.07	217.75	11.40	
75	69	303.51	15.99	280.78	14.38	263.59	13.37	246.40	12.39	229.21	11.43	217.75	10.81	

NOTE - Power Input = Compressor + Outdoor Fan Motor.  
MBH = 1000 BTUs per hour.

# HEATING CAPACITY - TWO MODULE - VRA216L4

Combination (%)	Outdoor Temperature (°F)		Indoor Temperature - °F Dry Bulb											
			61		64		67		70		73		75	
	Dry Bulb	Wet Bulb	Total Cap. MBH	Power Input kW	Total Cap. MBH	Power Input kW	Total Cap. MBH	Power Input kW	Total Cap. MBH	Power Input kW	Total Cap. MBH	Power Input kW	Total Cap. MBH	Power Input kW
100%	-13	-13	149.69	34.35	149.28	35.01	149.04	35.61	148.38	36.33	148.22	36.86	148.11	38.70
	-8	-9	162.31	36.26	161.88	36.82	161.61	37.33	160.90	37.98	160.73	38.42	160.61	40.34
	-3	-4	174.63	37.34	174.16	37.77	173.87	38.17	173.10	38.75	172.92	39.06	172.80	41.02
	2	1	187.23	37.87	186.74	38.16	186.50	38.43	186.02	38.92	185.51	39.12	185.43	41.07
	7	6	200.53	37.82	199.83	38.00	199.52	38.18	199.10	38.55	198.51	38.65	195.80	40.58
	12	10	213.93	36.79	213.60	36.86	213.07	36.95	212.55	37.18	208.37	37.17	197.95	39.03
	17	15	225.17	35.86	224.99	35.87	224.39	35.88	224.00	35.88	208.37	35.89	197.95	35.90
	22	20	227.87	34.26	227.70	34.27	226.61	34.28	224.00	34.28	208.37	34.04	197.95	33.88
	27	24	228.71	31.79	227.90	31.79	227.50	31.80	224.00	31.80	208.37	31.34	197.95	31.05
	32	29	231.33	28.51	230.01	28.51	228.76	28.52	224.00	28.52	208.37	27.89	197.95	27.49
	37	34	210.62	24.92	209.49	24.93	206.67	24.93	201.37	24.93	192.09	24.18	184.95	23.70
	42	38	229.64	21.21	225.41	21.21	220.82	21.21	211.45	21.21	199.70	20.41	191.87	19.40
	<b>47</b>	<b>43</b>	<b>247.93</b>	<b>18.22</b>	<b>239.45</b>	<b>18.22</b>	<b>230.90</b>	<b>18.22</b>	<b>224.00</b>	<b>18.22</b>	<b>208.37</b>	<b>16.70</b>	<b>197.95</b>	<b>15.73</b>
	52	47	259.50	17.92	248.11	17.92	238.69	17.92	224.00	16.65	208.37	15.30	197.95	14.43
	57	52	265.61	17.74	255.01	17.64	239.63	16.40	224.00	15.16	208.37	13.95	197.95	13.17
	62	56	269.95	17.45	255.26	16.35	239.63	15.19	224.00	14.05	208.37	12.95	197.95	12.23
	67	61	270.88	15.99	255.26	14.92	239.63	13.87	224.00	12.85	208.37	11.86	197.95	11.22
	72	66	270.88	14.65	255.26	13.68	239.63	12.74	224.00	11.82	208.37	10.92	197.95	10.33
	75	69	270.88	13.85	255.26	12.94	239.63	12.06	224.00	11.19	208.37	10.35	197.95	9.80
	90%	-13	-13	146.30	37.90	146.00	38.56	145.71	39.17	145.41	39.96	145.10	40.40	144.88
-8		-9	158.64	39.96	158.31	40.53	158.00	41.06	157.68	41.78	157.34	42.14	157.10	44.24
-3		-4	170.67	41.12	170.32	41.57	169.99	42.00	169.64	42.62	169.27	42.87	169.01	45.02
2		1	182.46	41.66	182.10	41.98	181.74	42.31	181.38	42.81	180.94	42.96	177.08	45.11
7		6	195.95	42.20	195.27	42.21	193.51	42.21	192.14	42.22	185.56	42.23	178.16	42.24
12		10	207.41	38.86	207.05	38.87	204.71	38.88	200.35	38.89	187.53	38.89	178.16	38.90
17		15	211.93	36.59	210.48	36.60	208.04	36.61	201.60	36.61	187.53	36.62	178.16	36.62
22		20	214.90	34.27	213.47	34.28	211.04	34.28	201.60	34.29	187.53	34.29	178.16	34.30
27		24	220.11	31.79	218.57	31.80	215.67	31.80	201.60	31.81	187.53	31.81	178.16	31.81
32		29	226.90	28.51	221.61	28.52	215.67	28.52	201.60	28.52	187.53	28.53	178.16	28.53
37		34	226.55	24.92	216.02	24.93	205.83	24.93	194.87	24.93	187.53	24.00	178.16	22.60
42		38	233.69	21.21	222.83	21.21	212.32	21.21	201.01	20.54	187.53	18.86	178.16	17.78
47		43	236.72	18.21	226.33	18.21	215.67	17.40	201.60	16.07	187.53	14.79	178.16	13.95
52		47	240.05	17.91	229.73	17.21	215.67	15.97	201.60	14.78	187.53	13.61	178.16	12.85
57		52	243.80	16.68	229.73	15.55	215.67	14.46	201.60	13.39	187.53	12.35	178.16	11.68
62		56	243.80	15.44	229.73	14.42	215.67	13.41	201.60	12.44	187.53	11.48	178.16	10.86
67		61	243.80	14.10	229.73	13.18	215.67	12.28	201.60	11.40	187.53	10.54	178.16	9.98
72		66	243.80	12.95	229.73	12.11	215.67	11.29	201.60	10.50	187.53	9.72	178.16	9.21
75		69	243.80	12.25	229.73	11.47	215.67	10.70	201.60	9.96	187.53	9.22	178.16	8.75
80%		-13	-13	143.31	41.69	143.01	42.42	142.69	43.09	142.51	43.96	142.20	44.44	141.98
	-8	-9	155.39	43.96	155.07	44.59	154.72	45.17	154.53	45.96	154.19	46.35	152.12	48.67
	-3	-4	166.32	45.23	165.98	45.72	165.60	46.20	165.39	46.88	162.12	47.16	158.14	49.14
	2	1	175.13	45.82	174.78	46.17	174.43	46.54	174.08	47.10	166.70	47.25	158.36	48.54
	7	6	184.41	42.21	183.30	42.22	182.07	42.23	179.20	42.24	166.70	42.25	158.36	42.25
	12	10	193.10	38.88	190.59	38.88	186.89	38.89	179.20	38.90	166.70	38.91	158.36	38.91
	17	15	201.67	36.60	198.32	36.61	188.95	36.62	179.20	36.62	166.70	36.63	158.36	36.63
	22	20	209.48	34.28	199.21	34.29	189.16	34.29	179.20	34.30	166.70	34.30	158.36	34.30
	27	24	209.48	31.80	199.21	31.81	189.16	31.81	179.20	31.81	166.70	31.82	158.36	31.48
	32	29	209.48	28.52	199.21	28.52	189.16	28.53	179.20	28.53	166.70	26.62	158.36	25.07
	37	34	209.48	24.93	199.21	24.93	189.16	24.64	179.20	22.75	166.70	20.92	158.36	19.73
	42	38	209.48	21.21	199.21	20.86	189.16	19.36	179.20	17.90	166.70	16.48	158.36	15.56
	47	43	209.48	17.50	199.21	16.32	189.16	15.17	179.20	14.04	166.70	12.95	158.36	12.24
	52	47	209.48	16.07	199.21	15.00	189.16	13.95	179.20	12.94	166.70	11.95	158.36	11.30
	57	52	209.48	14.54	199.21	13.59	189.16	12.66	179.20	11.75	166.70	10.87	158.36	10.29
	62	56	209.48	13.49	199.21	12.62	189.16	11.77	179.20	10.94	166.70	10.12	158.36	9.59
	67	61	209.48	12.35	199.21	11.56	189.16	10.79	179.20	10.04	166.70	9.31	158.36	8.83
	72	66	209.48	11.36	199.21	10.65	189.16	9.95	179.20	9.27	166.70	8.60	158.36	8.17
	75	69	209.48	10.77	199.21	10.10	189.16	9.44	179.20	8.80	166.70	8.18	158.36	7.77

NOTE - Power Input = Compressor + Outdoor Fan Motor.  
 MBH = 1000 BTUs per hour.



# HEATING CAPACITY - TWO MODULE - VRA216L4

Combination (%)	Outdoor Temperature (°F)		Indoor Temperature - °F Dry Bulb											
			61		64		67		70		73		75	
	Dry Bulb	Wet Bulb	Total Cap. MBH	Power Input kW	Total Cap. MBH	Power Input kW	Total Cap. MBH	Power Input kW	Total Cap. MBH	Power Input kW	Total Cap. MBH	Power Input kW	Total Cap. MBH	Power Input kW
70%	-13	-13	157.48	43.94	157.20	43.96	156.90	43.98	156.80	43.99	145.86	44.01	138.57	44.02
	-8	-9	162.93	45.95	160.83	45.96	158.74	45.98	156.80	45.99	145.86	46.01	138.57	46.02
	-3	-4	167.77	46.87	164.07	46.88	160.38	46.90	156.80	46.91	145.86	46.92	138.57	46.93
	2	1	172.12	47.09	166.96	47.10	161.85	47.11	156.80	47.12	145.86	47.13	138.57	47.13
	7	6	176.03	42.23	169.57	42.24	163.18	42.25	156.80	42.25	145.86	42.26	138.57	42.27
	12	10	179.57	38.89	171.93	38.90	164.37	38.90	156.80	38.91	145.86	38.92	138.57	38.92
	17	15	182.65	36.62	173.94	36.62	165.42	36.63	156.80	36.63	145.86	36.64	138.57	36.64
	22	20	182.65	34.29	173.94	34.30	165.42	34.30	156.80	34.31	145.86	34.19	138.57	32.17
	27	24	182.65	31.81	173.94	31.81	165.42	31.82	156.80	31.11	145.86	28.57	138.57	26.91
	32	29	182.65	28.53	173.94	28.53	165.42	26.82	156.80	24.78	145.86	22.81	138.57	21.52
	37	34	182.65	24.32	173.94	22.67	165.42	21.07	156.80	19.51	145.86	17.98	138.57	16.99
	42	38	182.65	19.11	173.94	17.84	165.42	16.59	156.80	15.38	145.86	14.20	138.57	13.44
	47	43	182.65	14.98	173.94	14.00	165.42	13.04	156.80	12.11	145.86	11.20	138.57	10.61
	52	47	182.65	13.78	173.94	12.90	165.42	12.03	156.80	11.18	145.86	10.36	138.57	9.82
	57	52	182.65	12.51	173.94	11.72	165.42	10.94	156.80	10.19	145.86	9.45	138.57	8.97
	62	56	182.65	11.63	173.94	10.90	165.42	10.19	156.80	9.50	145.86	8.82	138.57	8.38
	67	61	182.65	10.67	173.94	10.01	165.42	9.37	156.80	8.75	145.86	8.13	138.57	7.73
72	66	182.65	9.83	173.94	9.24	165.42	8.66	156.80	8.09	145.86	7.53	138.57	7.16	
75	69	182.65	9.33	173.94	8.78	165.42	8.23	156.80	7.70	145.86	7.17	138.57	6.83	
60%	-13	-13	134.99	43.98	134.75	44.00	134.49	44.01	134.40	44.03	125.02	44.04	118.77	44.05
	-8	-9	139.22	45.98	137.57	46.00	135.92	46.01	134.40	46.02	125.02	46.03	118.77	46.04
	-3	-4	143.18	46.90	140.22	46.91	137.26	46.92	134.40	46.93	125.02	46.95	118.77	46.95
	2	1	146.90	47.11	142.71	47.12	138.52	47.13	134.40	47.14	125.02	47.15	118.77	47.15
	7	6	150.39	42.25	145.05	42.26	139.70	42.26	134.40	42.27	125.02	42.28	118.77	42.28
	12	10	153.69	38.91	147.25	38.91	140.81	38.92	134.40	38.92	125.02	38.93	118.77	38.93
	17	15	156.80	36.63	149.33	36.63	141.87	36.64	134.40	36.64	125.02	35.18	118.77	33.12
	22	20	160.50	34.30	151.34	34.31	143.78	33.61	134.40	31.04	125.02	28.54	118.77	26.92
	27	24	162.53	31.82	153.15	30.25	143.78	28.09	134.40	25.99	125.02	23.94	118.77	22.61
	32	29	162.53	25.84	153.15	24.12	143.78	22.44	134.40	20.80	125.02	19.20	118.77	18.16
	37	34	162.53	20.32	153.15	18.99	143.78	17.70	134.40	16.44	125.02	15.20	118.77	14.40
	42	38	162.53	16.01	153.15	14.99	143.78	13.98	134.40	13.00	125.02	12.05	118.77	11.42
	47	43	162.53	12.60	153.15	11.80	143.78	11.03	134.40	10.27	125.02	9.53	118.77	9.05
	52	47	162.53	11.62	153.15	10.91	143.78	10.20	134.40	9.51	125.02	8.84	118.77	8.39
	57	52	162.53	10.59	153.15	9.94	143.78	9.31	134.40	8.69	125.02	8.09	118.77	7.69
	62	56	162.53	9.87	153.15	9.27	143.78	8.69	134.40	8.12	125.02	7.57	118.77	7.20
	67	61	162.53	9.08	153.15	8.54	143.78	8.02	134.40	7.50	125.02	7.00	118.77	6.66
72	66	162.53	8.39	153.15	7.91	143.78	7.43	134.40	6.96	125.02	6.50	118.77	6.19	
75	69	162.53	7.98	153.15	7.52	143.78	7.07	134.40	6.63	125.02	6.20	118.77	5.91	
50%	-13	-13	112.67	44.02	112.56	44.04	112.22	44.05	112.00	44.07	104.19	44.08	98.98	44.09
	-8	-9	116.35	46.02	115.23	46.03	113.44	46.05	112.00	46.06	104.19	46.07	98.98	46.08
	-3	-4	119.94	46.93	117.83	46.94	115.19	46.95	112.00	46.96	104.19	46.97	98.98	46.98
	2	1	123.44	47.14	120.37	47.14	117.28	47.15	112.00	47.16	104.19	47.17	98.98	47.17
	7	6	126.86	42.27	122.85	42.27	119.24	42.28	112.00	42.29	104.19	42.29	98.98	42.30
	12	10	130.20	38.92	125.27	38.93	119.81	38.93	112.00	38.85	104.19	37.36	98.98	35.74
	17	15	133.46	36.64	127.63	36.37	119.81	35.10	112.00	32.42	104.19	29.83	98.98	28.14
	22	20	135.44	31.18	127.63	30.13	119.81	29.03	112.00	26.87	104.19	24.76	98.98	23.39
	27	24	135.44	26.12	127.63	25.15	119.81	24.16	112.00	22.39	104.19	20.67	98.98	19.55
	32	29	135.44	20.91	127.63	20.06	119.81	19.20	112.00	17.83	104.19	16.49	98.98	15.61
	37	34	135.44	16.54	127.63	15.79	119.81	15.04	112.00	13.99	104.19	12.97	98.98	12.30
	42	38	135.44	13.09	127.63	12.42	119.81	11.75	112.00	10.95	104.19	10.17	98.98	9.66
	47	43	135.44	10.35	127.63	9.73	119.81	9.13	112.00	8.53	104.19	7.94	98.98	7.56
	52	47	135.44	9.59	127.63	9.02	119.81	8.47	112.00	7.92	104.19	7.39	98.98	7.04
	57	52	135.44	8.76	127.63	8.25	119.81	7.76	112.00	7.27	104.19	6.79	98.98	6.47
	62	56	135.44	8.19	127.63	7.72	119.81	7.26	112.00	6.81	104.19	6.37	98.98	6.08
	67	61	135.44	7.56	127.63	7.14	119.81	6.72	112.00	6.31	104.19	5.91	98.98	5.65
72	66	135.44	7.01	127.63	6.62	119.81	6.25	112.00	5.87	104.19	5.51	98.98	5.26	
75	69	135.44	6.68	127.63	6.32	119.81	5.96	112.00	5.61	104.19	5.26	98.98	5.04	

NOTE - Power Input = Compressor + Outdoor Fan Motor.  
MBH = 1000 BTUs per hour.



## COOLING CAPACITY - TWO MODULE - VRA240L4

Combination (%)	Outdoor Temperature °F (Dry Bulb)	Indoor Temperature - °F (Dry Bulb / Wet Bulb)											
		67 / 57		71 / 60		75 / 63		80 / 67		85 / 71		90 / 75	
		Total Cap.	Power Input	Total Cap.	Power Input	Total Cap.	Power Input	Total Cap.	Power Input	Total Cap.	Power Input	Total Cap.	Power Input
		MBH	kW	MBH	kW	MBH	kW	MBH	kW	MBH	kW	MBH	kW
130%	25	197.20	8.42	229.42	9.96	261.64	11.59	304.59	13.83	329.70	18.85	337.51	14.18
	30	197.20	8.62	229.42	10.22	261.64	11.87	304.59	14.11	324.12	14.15	331.93	14.55
	35	197.20	8.82	229.42	10.46	261.64	12.15	304.59	14.46	318.75	14.52	327.05	14.91
	40	197.20	9.02	229.42	10.69	261.64	12.43	304.59	14.80	313.38	14.82	322.17	15.27
	45	197.20	9.25	229.42	10.97	261.64	12.76	299.71	14.75	308.25	14.85	316.80	15.38
	50	197.20	9.47	229.42	11.25	261.64	13.09	294.83	14.70	303.13	15.00	311.43	15.48
	55	197.20	9.72	229.42	11.57	261.64	13.45	289.95	14.58	297.76	15.16	305.57	15.63
	60	197.20	9.97	229.42	11.85	261.64	13.80	284.58	14.75	292.63	15.28	300.69	16.07
	65	197.20	10.36	229.42	12.45	261.64	14.81	275.55	15.96	283.85	16.11	292.15	16.51
	70	197.20	10.66	229.42	13.25	258.38	15.69	274.33	16.58	282.14	16.98	289.95	17.13
	75	197.20	11.64	229.42	14.53	255.13	16.87	268.47	17.66	276.28	17.98	285.07	18.23
	80	197.20	12.85	229.42	15.96	251.71	18.05	263.35	18.75	271.40	18.92	279.21	19.17
	85	197.20	14.01	229.42	17.49	247.97	19.31	257.73	19.79	266.03	20.03	274.33	20.28
	90	197.20	15.32	229.42	19.11	244.72	20.59	252.85	20.90	260.66	21.14	268.72	21.39
	95	197.20	16.68	225.76	20.30	239.18	21.64	246.99	21.91	255.29	22.20	256.76	22.30
	100	197.20	18.28	221.92	21.54	234.22	22.75	241.14	22.99	243.58	23.07	243.58	23.07
	105	197.20	20.10	217.71	22.94	227.79	24.01	230.07	24.11	231.05	24.11	231.05	24.11
	110	197.20	22.40	212.58	24.70	217.71	25.46	217.71	25.46	217.71	25.46	217.71	25.46
115	187.44	25.66	187.44	25.66	188.09	25.72	188.42	25.76	189.39	25.81	189.39	25.86	
118	161.20	23.39	161.20	23.39	161.76	23.45	162.04	23.48	162.88	23.52	162.88	23.57	
120%	25	182.56	7.73	211.85	9.12	241.79	10.57	281.16	12.55	318.61	13.44	331.93	13.97
	30	182.56	7.89	211.85	9.33	241.79	10.84	281.16	12.83	315.82	13.72	327.05	14.34
	35	182.56	8.08	211.85	9.55	241.79	11.08	281.16	13.17	312.16	14.07	321.68	14.69
	40	182.56	8.26	211.85	9.76	241.79	11.32	281.16	13.52	308.50	14.42	316.31	15.05
	45	182.56	8.46	211.85	10.03	241.79	11.64	281.16	13.87	303.13	14.60	310.94	15.15
	50	182.56	8.66	211.85	10.31	241.79	11.97	281.16	14.21	297.76	14.77	305.57	15.25
	55	182.56	8.89	211.85	10.55	241.79	12.24	281.16	14.58	292.88	14.94	300.44	15.40
	60	182.56	9.11	211.85	10.83	241.79	12.58	279.70	14.85	287.51	15.05	294.83	15.83
	65	182.56	9.50	211.85	11.31	241.79	13.30	272.38	15.57	278.48	15.88	287.02	16.27
	70	182.56	9.61	211.85	11.80	241.79	14.24	269.45	16.48	277.26	16.73	284.09	16.87
	75	182.56	10.46	211.85	12.98	241.79	15.66	264.57	17.57	271.40	17.71	279.21	17.96
	80	182.56	11.47	211.85	14.25	241.46	17.18	258.71	18.65	266.40	18.82	273.35	18.97
	85	182.56	12.58	211.85	15.58	239.18	18.55	253.83	19.69	260.91	19.88	268.47	20.08
	90	182.56	13.69	211.85	17.02	235.93	19.78	248.21	20.72	255.78	20.95	262.86	21.19
	95	182.56	14.90	211.85	18.60	232.02	21.02	243.09	21.81	250.41	22.06	256.76	22.30
	100	182.56	16.26	211.85	20.33	228.77	22.36	237.96	22.89	242.84	23.07	243.58	23.07
	105	182.56	17.86	211.36	22.20	224.86	23.85	229.75	24.08	231.05	24.11	231.05	24.11
	110	182.56	19.93	207.45	24.08	217.05	25.46	217.71	25.46	217.71	25.46	217.71	25.46
115	182.56	22.20	186.22	24.79	188.09	25.72	188.42	25.76	189.39	25.81	189.39	25.86	
118	161.20	20.78	161.20	22.75	161.76	23.45	162.04	23.48	162.88	23.52	162.88	23.57	
110%	25	166.94	7.04	194.03	8.28	221.29	9.60	257.73	11.36	293.85	13.24	326.07	13.77
	30	166.94	7.18	194.03	8.46	221.29	9.81	257.73	11.64	293.85	13.52	321.19	14.12
	35	166.94	7.35	194.03	8.66	221.29	10.04	257.73	11.94	293.85	13.87	315.82	14.47
	40	166.94	7.51	194.03	8.86	221.29	10.28	257.73	12.24	293.85	14.21	310.45	14.82
	45	166.94	7.69	194.03	9.09	221.29	10.52	257.73	12.53	291.90	14.38	305.08	14.92
	50	166.94	7.87	194.03	9.31	221.29	10.76	257.73	12.83	289.95	14.56	299.71	15.02
	55	166.94	8.07	194.03	9.53	221.29	11.07	257.73	13.20	287.14	14.72	294.59	15.17
	60	166.94	8.27	194.03	9.80	221.29	11.37	257.73	13.57	282.38	14.83	288.97	15.60
	65	166.94	8.62	194.03	10.28	221.29	11.93	257.73	14.46	273.96	15.64	281.16	16.03
	70	166.94	8.72	194.03	10.47	221.29	12.50	257.73	15.59	271.89	16.58	278.23	16.83
	75	166.94	9.32	194.03	11.43	221.29	13.78	257.73	17.17	266.52	17.62	273.35	17.76
	80	166.94	10.16	194.03	12.57	221.29	15.12	254.80	18.48	261.52	18.70	268.23	18.87
	85	166.94	11.15	194.03	13.74	221.29	16.55	249.43	19.54	256.02	19.74	262.61	19.93
	90	166.94	12.14	194.03	15.02	221.29	18.12	244.06	20.60	250.90	20.85	257.73	21.00
	95	166.94	13.22	194.03	16.41	221.29	19.84	238.21	21.61	245.53	21.86	251.87	22.11
	100	166.94	14.36	194.03	17.84	219.98	21.35	233.33	22.72	239.79	22.96	243.58	23.07
	105	166.94	15.76	194.03	19.65	216.30	22.88	228.44	24.05	230.89	24.11	231.05	24.11
	110	166.94	17.57	194.03	21.93	212.82	24.77	217.71	25.46	217.71	25.46	217.71	25.46
115	166.94	19.54	182.32	24.13	188.09	25.72	188.42	25.76	189.39	25.81	189.39	25.86	
118	161.20	20.00	161.20	22.61	161.76	23.45	162.04	23.48	162.88	23.52	162.88	23.57	

NOTE - Power Input = Compressor + Outdoor Fan Motor.  
MBH = 1000 BTUs per hour.

## COOLING CAPACITY - TWO MODULE - VRA240L4

Combination (%)	Outdoor Temperature °F (Dry Bulb)	Indoor Temperature - °F (Dry Bulb / Wet Bulb)											
		67 / 57		71 / 60		75 / 63		80 / 67		85 / 71		90 / 75	
		Total Cap.	Power Input	Total Cap.	Power Input	Total Cap.	Power Input	Total Cap.	Power Input	Total Cap.	Power Input	Total Cap.	Power Input
		MBH	kW	MBH	kW	MBH	kW	MBH	kW	MBH	kW	MBH	kW
100%	25	152.30	6.38	176.46	7.47	201.43	8.61	230.00	10.18	267.01	11.86	299.71	13.56
	30	152.30	6.50	176.46	7.63	201.43	8.80	230.00	10.46	267.01	12.14	299.71	13.91
	35	152.30	6.65	176.46	7.80	201.43	9.01	230.00	10.71	267.01	12.43	299.71	14.26
	40	152.30	6.79	176.46	7.98	201.43	9.22	230.00	10.95	267.01	12.73	299.71	14.61
	45	152.30	6.95	176.46	8.18	201.43	9.46	230.00	11.25	267.01	13.08	296.78	14.70
	50	152.30	7.12	176.46	8.37	201.43	9.71	230.00	11.55	267.01	13.42	293.85	14.80
	55	152.30	7.28	176.46	8.58	201.43	9.95	230.00	11.82	267.01	13.79	288.97	14.95
	60	152.30	7.47	176.46	8.81	201.43	10.19	230.00	12.14	267.01	14.16	283.60	15.37
	65	152.30	7.77	176.46	9.18	201.43	10.63	230.00	12.61	265.91	15.12	274.57	15.79
	70	152.30	7.86	176.46	9.29	201.43	10.95	230.00	13.52	263.59	16.09	273.35	16.58
	75	152.30	8.23	176.46	10.05	201.43	12.04	230.00	14.90	261.15	17.47	267.49	17.66
	80	152.30	8.99	176.46	11.00	201.43	13.20	230.00	16.41	256.27	18.53	262.61	18.68
	85	152.30	9.82	176.46	12.04	201.43	14.42	230.00	18.01	251.14	19.59	257.24	19.79
	90	152.30	10.68	176.46	13.14	201.43	15.77	230.00	19.69	245.65	20.65	251.87	20.82
	95	152.30	11.64	176.46	14.31	201.43	17.24	230.00	21.16	240.65	21.76	246.99	21.91
	100	152.30	12.66	176.46	15.60	201.43	18.78	229.18	22.60	235.16	22.77	240.65	22.99
	105	152.30	13.85	176.46	17.15	201.43	20.69	223.56	23.85	229.26	24.06	231.05	24.11
	110	152.30	15.39	176.46	19.10	201.43	23.09	217.71	25.46	217.71	25.46	217.71	25.46
115	152.30	17.07	176.46	21.22	187.12	24.70	188.42	25.76	189.39	25.81	189.39	25.86	
118	152.30	18.10	155.28	19.79	161.76	22.64	162.04	23.48	162.88	23.52	162.88	23.57	
90%	25	136.68	5.74	158.64	6.68	180.93	7.67	210.87	9.05	240.65	10.51	270.42	12.05
	30	136.68	5.85	158.64	6.83	180.93	7.84	210.87	9.26	240.65	10.76	270.42	12.34
	35	136.68	5.98	158.64	6.98	180.93	8.02	210.87	9.48	240.65	11.00	270.42	12.63
	40	136.68	6.10	158.64	7.13	180.93	8.20	210.87	9.70	240.65	11.25	270.42	12.93
	45	136.68	6.24	158.64	7.30	180.93	8.40	210.87	9.93	240.65	11.55	270.42	13.22
	50	136.68	6.37	158.64	7.47	180.93	8.61	210.87	10.16	240.65	11.84	270.42	13.52
	55	136.68	6.52	158.64	7.65	180.93	8.82	210.87	10.44	240.65	12.16	270.42	13.89
	60	136.68	6.68	158.64	7.85	180.93	9.05	210.87	10.76	240.65	12.51	270.42	14.26
	65	136.68	6.94	158.64	8.17	180.93	9.44	210.87	11.15	240.65	13.11	270.42	15.44
	70	136.68	7.02	158.64	8.26	180.93	9.54	210.87	11.64	240.65	14.06	267.49	16.48
	75	136.68	7.21	158.64	8.75	180.93	10.39	210.87	12.83	240.65	15.49	262.61	17.57
	80	136.68	7.87	158.64	9.57	180.93	11.36	210.87	14.06	240.65	17.05	256.76	18.58
	85	136.68	8.58	158.64	10.43	180.93	12.43	210.87	15.39	239.92	18.60	251.87	19.64
	90	136.68	9.33	158.64	11.36	180.93	13.59	210.87	16.87	237.72	20.01	246.26	20.70
	95	136.68	10.16	158.64	12.38	180.93	14.77	210.87	18.36	235.28	21.46	241.14	21.71
	100	136.68	11.03	158.64	13.45	180.93	16.13	210.87	20.08	229.91	22.57	236.01	22.82
	105	136.68	12.07	158.64	14.76	180.93	17.72	210.87	22.11	225.03	23.90	229.75	24.08
	110	136.68	13.32	158.64	16.43	180.93	19.77	210.87	24.67	217.71	25.46	217.71	25.46
115	136.68	14.80	158.64	18.28	180.93	23.65	188.42	25.76	189.39	25.81	189.39	25.86	
118	136.68	15.69	155.28	18.97	157.41	21.81	162.04	23.48	162.88	23.52	162.88	23.57	
80%	25	122.03	5.13	141.80	5.93	161.41	6.77	187.44	7.95	213.80	9.19	240.16	10.47
	30	122.03	5.22	141.80	6.05	161.41	6.91	187.44	8.12	213.80	9.40	240.16	10.76
	35	122.03	5.33	141.80	6.18	161.41	7.07	187.44	8.31	213.80	9.62	240.16	11.00
	40	122.03	5.44	141.80	6.31	161.41	7.23	187.44	8.51	213.80	9.84	240.16	11.25
	45	122.03	5.55	141.80	6.45	161.41	7.40	187.44	8.72	213.80	10.10	240.16	11.55
	50	122.03	5.66	141.80	6.60	161.41	7.57	187.44	8.93	213.80	10.36	240.16	11.84
	55	122.03	5.79	141.80	6.76	161.41	7.76	187.44	9.16	213.80	10.62	240.16	12.11
	60	122.03	5.93	141.80	6.92	161.41	7.95	187.44	9.39	213.80	10.93	240.16	12.48
	65	122.03	6.15	141.80	7.20	161.41	8.28	187.44	9.80	213.80	11.39	240.16	13.15
	70	122.03	6.22	141.80	7.28	161.41	8.38	187.44	9.87	213.80	11.89	240.16	14.01
	75	122.03	6.37	141.80	7.56	161.41	8.88	187.44	10.86	213.80	13.08	240.16	15.49
	80	122.03	6.84	141.80	8.23	161.41	9.72	187.44	11.87	213.80	14.33	240.16	17.00
	85	122.03	7.43	141.80	8.96	161.41	10.59	187.44	13.03	213.80	15.72	240.16	18.65
	90	122.03	8.07	141.80	9.74	161.41	11.57	187.44	14.26	213.80	17.17	239.43	20.38
	95	122.03	8.75	141.80	10.63	161.41	12.57	187.44	15.49	213.80	18.75	235.28	21.51
	100	122.03	9.49	141.80	11.49	161.41	13.69	187.44	16.87	213.80	20.50	230.15	22.62
	105	122.03	10.36	141.80	12.61	161.41	15.02	187.44	18.55	213.48	22.57	224.54	23.88
	110	122.03	11.45	141.80	13.96	161.41	16.71	187.44	20.72	211.36	24.67	217.71	25.46
115	122.03	12.73	141.80	15.54	161.41	18.59	187.44	23.09	189.39	25.81	189.39	25.86	
118	122.03	13.49	141.80	16.48	157.41	19.21	162.04	21.16	162.88	23.52	162.88	23.57	

NOTE - Power Input = Compressor + Outdoor Fan Motor.  
MBH = 1000 BTUs per hour.

## COOLING CAPACITY - TWO MODULE - VRA240L4

Combination (%)	Outdoor Temperature °F (Dry Bulb)	Indoor Temperature - °F (Dry Bulb / Wet Bulb)											
		67 / 57		71 / 60		75 / 63		80 / 67		85 / 71		90 / 75	
		Total Cap.	Power Input	Total Cap.	Power Input	Total Cap.	Power Input	Total Cap.	Power Input	Total Cap.	Power Input	Total Cap.	Power Input
		MBH	kW	MBH	kW	MBH	kW	MBH	kW	MBH	kW	MBH	kW
70%	25	106.41	4.54	123.98	5.22	140.91	5.91	164.01	6.90	186.95	7.93	209.90	9.01
	30	106.41	4.63	123.98	5.32	140.91	6.03	164.01	7.04	186.95	8.11	209.90	9.22
	35	106.41	4.71	123.98	5.42	140.91	6.16	164.01	7.20	186.95	8.30	209.90	9.44
	40	106.41	4.80	123.98	5.53	140.91	6.29	164.01	7.36	186.95	8.49	209.90	9.66
	45	106.41	4.89	123.98	5.65	140.91	6.43	164.01	7.53	186.95	8.70	209.90	9.91
	50	106.41	4.99	123.98	5.77	140.91	6.58	164.01	7.71	186.95	8.91	209.90	10.16
	55	106.41	5.09	123.98	5.90	140.91	6.73	164.01	7.90	186.95	9.14	209.90	10.41
	60	106.41	5.21	123.98	6.04	140.91	6.89	164.01	8.10	186.95	9.38	209.90	10.71
	65	106.41	5.40	123.98	6.27	140.91	7.17	164.01	8.43	186.95	9.75	209.90	11.23
	70	106.41	5.45	123.98	6.33	140.91	7.25	164.01	8.54	186.95	9.90	209.90	11.55
	75	106.41	5.59	123.98	6.50	140.91	7.51	164.01	9.08	186.95	10.81	209.90	12.73
	80	106.41	5.87	123.98	6.99	140.91	8.19	164.01	9.93	186.95	11.85	209.90	13.99
	85	106.41	6.37	123.98	7.60	140.91	8.92	164.01	10.86	186.95	12.95	209.90	15.35
	90	106.41	6.91	123.98	8.26	140.91	9.70	164.01	11.84	186.95	14.16	209.90	16.78
	95	106.41	7.47	123.98	8.95	140.91	10.52	164.01	12.83	186.95	15.44	209.90	18.26
	100	106.41	8.08	123.98	9.70	140.91	11.44	164.01	13.96	186.95	16.84	209.90	19.98
	105	106.41	8.82	123.98	10.62	140.91	12.55	164.01	15.36	186.95	18.52	209.90	21.94
	110	106.41	9.75	123.98	11.76	140.91	13.95	164.01	17.07	186.95	20.67	209.90	24.57
115	106.41	10.76	123.98	13.05	140.91	15.46	164.01	19.05	185.49	23.88	189.39	25.86	
118	106.41	11.40	123.98	13.83	140.91	16.39	147.61	18.17	162.88	22.23	162.88	23.57	
60%	25	91.18	3.99	106.27	4.53	121.06	5.10	140.58	5.89	160.11	6.73	179.63	7.61
	30	91.18	4.06	106.27	4.61	121.06	5.19	140.58	6.01	160.11	6.87	179.63	7.78
	35	91.18	4.12	106.27	4.70	121.06	5.30	140.58	6.14	160.11	7.03	179.63	7.96
	40	91.18	4.19	106.27	4.79	121.06	5.40	140.58	6.27	160.11	7.18	179.63	8.14
	45	91.18	4.27	106.27	4.88	121.06	5.52	140.58	6.41	160.11	7.35	179.63	8.34
	50	91.18	4.35	106.27	4.98	121.06	5.63	140.58	6.55	160.11	7.52	179.63	8.54
	55	91.18	4.44	106.27	5.09	121.06	5.76	140.58	6.70	160.11	7.71	179.63	8.76
	60	91.18	4.53	106.27	5.20	121.06	5.89	140.58	6.87	160.11	7.90	179.63	8.99
	65	91.18	4.69	106.27	5.38	121.06	6.12	140.58	7.14	160.11	8.23	179.63	9.36
	70	91.18	4.73	106.27	5.44	121.06	6.18	140.58	7.22	160.11	8.32	179.63	9.47
	75	91.18	4.84	106.27	5.57	121.06	6.33	140.58	7.46	160.11	8.81	179.63	10.26
	80	91.18	5.00	106.27	5.86	121.06	6.79	140.58	8.15	160.11	9.64	179.63	11.25
	85	91.18	5.40	106.27	6.36	121.06	7.38	140.58	8.88	160.11	10.53	179.63	12.29
	90	91.18	5.83	106.27	6.89	121.06	8.02	140.58	9.65	160.11	11.46	179.63	13.40
	95	91.18	6.31	106.27	7.46	121.06	8.69	140.58	10.46	160.11	12.48	179.63	14.61
	100	91.18	6.80	106.27	8.07	121.06	9.42	140.58	11.42	160.11	13.61	179.63	15.96
	105	91.18	7.40	106.27	8.80	121.06	10.30	140.58	12.47	160.11	14.93	179.63	17.50
	110	91.18	8.16	106.27	9.74	121.06	11.38	140.58	13.82	160.11	16.58	179.63	19.54
115	91.18	8.99	106.27	10.76	121.06	12.60	140.58	15.39	160.11	18.45	179.63	21.71	
118	91.18	9.53	106.27	11.40	121.06	13.35	140.58	16.32	147.30	18.00	162.88	20.87	
50%	25	75.95	3.44	88.55	3.85	101.21	4.28	117.15	4.88	133.26	5.53	149.37	6.22
	30	75.95	3.48	88.55	3.91	101.21	4.35	117.15	4.98	133.26	5.64	149.37	6.34
	35	75.95	3.54	88.55	3.97	101.21	4.43	117.15	5.08	133.26	5.76	149.37	6.48
	40	75.95	3.59	88.55	4.04	101.21	4.52	117.15	5.17	133.26	5.88	149.37	6.62
	45	75.95	3.65	88.55	4.12	101.21	4.60	117.15	5.28	133.26	6.01	149.37	6.76
	50	75.95	3.71	88.55	4.19	101.21	4.69	117.15	5.40	133.26	6.14	149.37	6.91
	55	75.95	3.78	88.55	4.27	101.21	4.79	117.15	5.50	133.26	6.28	149.37	7.11
	60	75.95	3.85	88.55	4.36	101.21	4.89	117.15	5.63	133.26	6.43	149.37	7.26
	65	75.95	3.97	88.55	4.50	101.21	5.06	117.15	5.86	133.26	6.71	149.37	7.50
	70	75.95	4.01	88.55	4.55	101.21	5.12	117.15	5.91	133.26	6.75	149.37	7.40
	75	75.95	4.09	88.55	4.64	101.21	5.15	117.15	5.84	133.26	6.82	149.37	7.80
	80	75.95	4.13	88.55	4.74	101.21	5.40	117.15	6.37	133.26	7.43	149.37	8.51
	85	75.95	4.42	88.55	5.12	101.21	5.85	117.15	6.90	133.26	8.11	149.37	9.23
	90	75.95	4.76	88.55	5.53	101.21	6.33	117.15	7.46	133.26	8.76	149.37	10.02
	95	75.95	5.14	88.55	5.97	101.21	6.87	117.15	8.09	133.26	9.52	149.37	10.95
	100	75.95	5.53	88.55	6.44	101.21	7.40	117.15	8.88	133.26	10.37	149.37	11.94
	105	75.95	5.98	88.55	6.98	101.21	8.05	117.15	9.57	133.26	11.35	149.37	13.06
	110	75.95	6.57	88.55	7.71	101.21	8.82	117.15	10.56	133.26	12.48	149.37	14.51
115	75.95	7.22	88.55	8.47	101.21	9.74	117.15	11.74	133.26	13.03	149.37	17.57	
118	75.95	7.66	88.55	8.98	101.21	10.32	117.15	12.45	133.26	13.81	149.37	18.62	

NOTE - Power Input = Compressor + Outdoor Fan Motor.  
MBH = 1000 BTUs per hour.

# HEATING CAPACITY - TWO MODULE - VRA240L4

Combination (%)	Outdoor Temperature (°F)		Indoor Temperature - °F Dry Bulb											
			61		64		67		70		73		75	
	Dry Bulb	Wet Bulb	Total Cap. MBH	Power Input kW	Total Cap. MBH	Power Input kW	Total Cap. MBH	Power Input kW	Total Cap. MBH	Power Input kW	Total Cap. MBH	Power Input kW	Total Cap. MBH	Power Input kW
130%	-13	-13	152.90	29.74	152.21	31.09	151.98	32.09	151.65	33.35	151.06	34.46	151.06	35.17
	-8	-9	167.80	32.12	167.05	33.30	166.80	34.22	166.44	35.29	165.79	36.21	165.79	36.82
	-3	-4	182.40	34.18	181.59	35.14	181.31	35.95	180.92	36.80	180.22	37.50	180.22	37.99
	2	1	197.78	35.79	196.94	36.49	196.27	37.15	195.54	37.75	195.34	38.20	194.95	38.56
	7	6	213.20	37.18	212.34	37.69	211.57	38.14	211.33	38.52	210.66	38.80	210.19	38.99
	12	10	229.48	37.57	228.60	37.84	227.76	38.04	227.48	38.14	226.87	38.28	226.31	38.33
	17	15	246.37	38.07	245.48	38.08	245.18	38.09	244.00	38.10	243.60	38.11	242.81	38.12
	22	20	249.75	36.69	248.91	36.70	248.62	36.71	247.49	36.72	247.12	36.73	246.36	36.73
	27	24	252.06	34.04	251.86	34.05	251.26	34.06	250.73	34.07	249.84	34.08	249.66	34.08
	32	29	253.02	30.69	252.57	30.69	252.15	30.70	251.42	30.71	250.82	30.71	250.42	30.72
	37	34	235.37	27.27	235.04	27.27	234.64	27.28	234.05	27.28	233.47	27.29	233.18	27.29
	42	38	259.04	23.19	258.77	23.20	258.32	23.20	251.85	23.21	249.95	23.21	248.48	23.21
	47	43	278.71	19.79	273.76	19.79	267.41	19.79	261.06	19.79	254.71	19.80	251.73	19.80
	52	47	291.36	19.66	285.02	19.67	278.67	19.67	272.32	19.67	265.97	19.68	261.73	19.68
	57	52	305.44	19.51	299.09	19.52	292.74	19.52	286.39	19.52	280.04	19.52	275.72	19.51
	62	56	316.69	19.39	310.34	19.39	303.99	19.40	297.64	19.40	290.23	19.28	275.72	18.14
	67	61	330.76	19.24	324.42	19.24	318.07	19.24	311.72	19.25	290.23	17.69	275.72	16.66
	72	66	344.84	19.09	338.49	19.09	332.14	19.09	312.00	17.77	290.23	16.33	275.72	15.40
75	69	353.28	18.99	346.93	19.00	340.58	19.00	312.17	16.88	290.23	15.51	275.72	14.64	
120%	-13	-13	152.32	32.33	151.85	33.14	151.41	34.00	151.06	34.81	150.64	35.59	150.37	36.05
	-8	-9	167.17	34.41	166.65	35.14	166.18	35.88	165.79	36.58	165.33	37.24	165.03	37.64
	-3	-4	181.71	36.09	181.15	36.70	180.64	37.30	180.22	37.88	179.72	38.39	179.39	38.71
	2	1	196.48	37.24	195.91	37.72	195.38	38.16	194.95	38.59	194.27	38.94	193.93	39.17
	7	6	211.75	38.24	211.16	38.56	210.62	38.85	210.19	39.14	209.49	39.36	209.14	39.52
	12	10	227.90	38.04	227.30	38.20	226.75	38.33	226.31	38.50	225.73	38.58	225.25	38.65
	17	15	244.70	38.08	244.09	38.09	243.53	38.10	242.81	38.11	242.37	38.12	242.01	38.13
	22	20	248.16	36.70	247.58	36.71	247.05	36.72	246.36	36.73	245.94	36.73	245.59	36.74
	27	24	249.66	34.06	249.66	34.06	249.66	34.07	249.66	34.08	247.25	34.08	247.25	34.09
	32	29	251.32	30.70	250.64	30.70	250.42	30.71	250.42	30.71	249.06	30.72	249.06	30.72
	37	34	234.61	27.28	233.86	27.28	233.62	27.28	233.62	27.29	225.01	27.29	220.88	27.29
	42	38	250.31	23.20	247.45	23.20	244.71	23.21	244.71	23.21	238.76	23.21	234.01	23.22
	47	43	269.49	19.79	263.67	19.79	259.92	19.79	254.06	19.80	248.20	19.80	244.29	19.80
	52	47	282.96	19.67	277.08	19.67	271.20	19.67	265.32	19.68	259.43	19.68	254.51	19.67
	57	52	297.11	19.52	291.20	19.52	285.30	19.52	279.39	19.52	267.91	19.12	254.51	17.99
	62	56	306.54	19.10	299.75	19.10	293.87	19.10	288.00	19.10	267.91	17.60	254.51	16.57
	67	61	319.42	18.78	311.97	18.79	306.11	18.79	288.00	17.53	267.91	16.11	254.51	15.19
	72	66	330.67	18.55	324.81	18.55	308.09	17.52	288.00	16.19	267.91	14.89	254.51	14.05
75	69	338.37	18.44	332.51	18.44	309.28	16.75	288.00	15.38	267.91	14.16	254.51	13.37	
110%	-13	-13	151.62	33.78	151.20	34.52	150.79	35.23	150.37	35.92	150.02	36.51	149.74	36.85
	-8	-9	166.40	35.69	165.95	36.32	165.49	36.93	165.03	37.54	164.65	38.02	164.34	38.29
	-3	-4	180.88	37.14	180.39	37.66	179.89	38.15	179.39	38.65	178.97	39.02	178.64	39.19
	2	1	195.46	38.04	195.08	38.41	194.61	38.77	194.07	39.15	193.55	39.40	193.30	39.47
	7	6	210.71	38.76	210.32	39.01	209.84	39.26	209.40	39.51	208.76	39.63	208.52	39.65
	12	10	226.84	38.28	226.44	38.41	225.95	38.54	225.51	38.64	224.99	38.69	224.64	38.64
	17	15	243.62	38.10	243.02	38.10	242.63	38.11	242.01	38.12	241.56	38.13	233.30	38.13
	22	20	247.13	36.71	245.34	36.72	244.97	36.73	243.16	36.74	242.74	36.74	233.30	36.75
	27	24	253.37	34.07	251.64	34.07	250.51	34.08	244.80	34.08	244.80	34.09	233.30	34.09
	32	29	254.15	30.71	253.66	30.71	252.74	30.71	247.82	30.72	245.41	30.72	233.30	30.73
	37	34	233.62	27.28	233.62	27.29	233.62	27.29	231.63	27.29	222.02	27.30	214.73	27.30
	42	38	249.99	23.20	249.99	23.21	245.99	23.21	237.61	23.21	232.16	23.22	223.86	23.22
	47	43	263.18	19.79	259.09	19.80	253.69	19.80	247.06	19.80	241.68	19.80	233.31	19.14
	52	47	274.49	19.67	271.79	19.67	265.03	19.68	258.31	19.68	245.58	18.86	233.30	17.75
	57	52	286.27	19.26	280.90	19.26	275.52	19.26	264.00	18.53	245.58	17.02	233.30	16.04
	62	56	296.54	19.04	291.16	19.05	282.42	18.67	264.00	17.24	245.58	15.86	233.30	14.95
	67	61	309.37	18.80	300.84	18.47	282.42	17.14	264.00	15.85	245.58	14.59	233.30	13.78
	72	66	319.26	18.28	300.84	17.04	282.42	15.83	264.00	14.66	245.58	13.51	233.30	12.77
75	69	325.19	17.99	300.84	16.18	282.42	15.05	264.00	13.94	245.58	12.86	233.30	12.16	

NOTE - Power Input = Compressor + Outdoor Fan Motor.  
 MBH = 1000 BTUs per hour.

# HEATING CAPACITY - TWO MODULE - VRA240L4

Combination (%)	Outdoor Temperature (°F)		Indoor Temperature - °F Dry Bulb											
			61		64		67		70		73		75	
	Dry Bulb	Wet Bulb	Total Cap. MBH	Power Input kW	Total Cap. MBH	Power Input kW	Total Cap. MBH	Power Input kW	Total Cap. MBH	Power Input kW	Total Cap. MBH	Power Input kW	Total Cap. MBH	Power Input kW
100%	-13	-13	151.25	35.01	150.81	35.74	150.66	36.40	149.74	37.13	149.74	37.79	149.74	39.68
	-8	-9	166.00	36.78	165.51	37.38	165.35	37.93	164.34	38.60	164.34	39.14	164.34	41.10
	-3	-4	180.44	38.07	179.91	38.53	179.74	38.93	178.64	39.54	178.64	39.95	178.64	41.94
	2	1	194.42	38.77	193.98	39.07	193.83	39.32	193.30	39.85	192.71	40.11	192.71	42.11
	7	6	210.10	39.27	209.24	39.46	208.95	39.63	208.52	40.03	207.80	40.16	207.80	42.17
	12	10	226.14	38.62	225.89	38.67	225.25	38.76	224.64	38.99	223.26	39.04	212.09	40.99
	17	15	241.18	38.11	241.18	38.12	240.39	38.12	240.00	38.13	223.26	38.14	212.09	38.14
	22	20	243.52	36.73	243.52	36.73	242.77	36.74	240.00	36.74	223.26	36.26	212.09	35.95
	27	24	244.22	34.08	243.64	34.08	243.27	34.09	240.00	34.09	223.26	33.19	212.09	32.60
	32	29	245.78	30.72	245.25	30.72	243.80	30.73	240.00	30.73	223.26	29.49	212.09	28.69
	37	34	216.76	27.29	216.46	27.30	216.08	27.30	214.73	27.30	206.59	25.82	199.27	24.87
	42	38	235.51	23.22	235.14	23.22	233.80	23.22	225.98	23.22	213.43	21.64	205.06	20.62
	47	43	261.27	19.77	255.47	19.77	247.39	19.78	240.00	19.77	223.26	18.15	212.09	17.09
	52	47	278.52	19.57	266.30	19.57	256.20	19.58	240.00	18.14	223.26	16.67	212.09	15.72
	57	52	285.64	19.66	273.49	19.46	256.74	18.06	240.00	16.69	223.26	15.37	212.09	14.51
	62	56	290.23	19.41	273.49	18.09	256.74	16.81	240.00	15.56	223.26	14.34	212.09	13.55
	67	61	290.23	17.81	273.49	16.62	256.74	15.46	240.00	14.33	223.26	13.22	212.09	12.51
	72	66	290.23	16.44	273.49	15.36	256.74	14.30	240.00	13.27	223.26	12.26	212.09	11.61
	75	69	290.23	15.62	273.49	14.60	256.74	13.61	240.00	12.64	223.26	11.69	212.09	11.07
	90%	-13	-13	147.64	38.74	147.33	39.41	147.04	40.03	146.75	40.84	146.43	41.30	146.20
-8		-9	162.03	40.61	161.70	41.19	161.38	41.73	161.05	42.46	160.70	42.82	160.46	44.96
-3		-4	176.13	41.96	175.77	42.42	175.42	42.86	175.07	43.49	174.69	43.75	174.42	45.94
2		1	190.50	42.64	190.12	42.97	189.75	43.31	189.38	43.83	188.91	43.98	188.74	46.17
7		6	206.95	43.81	205.96	43.82	204.58	43.83	202.18	43.84	196.99	43.85	190.88	43.85
12		10	221.04	40.76	220.65	40.76	218.16	40.77	213.52	40.78	200.93	40.79	190.88	40.79
17		15	228.07	38.88	225.52	38.89	222.89	38.90	216.00	38.90	200.93	38.91	190.88	38.92
22		20	231.25	36.74	228.72	36.74	226.12	36.75	216.00	36.75	200.93	36.76	190.88	36.76
27		24	236.89	34.09	234.18	34.09	231.07	34.09	216.00	34.10	200.93	34.10	190.88	34.11
32		29	243.11	30.72	237.44	30.72	231.07	30.73	216.00	30.73	200.93	30.74	190.88	30.74
37		34	241.58	27.29	230.35	27.30	219.49	27.30	207.80	27.30	200.93	26.28	190.88	24.74
42		38	249.75	23.21	238.14	23.22	226.91	23.22	214.83	22.48	200.93	20.65	190.88	19.46
47		43	253.63	19.80	243.05	19.80	231.07	18.92	216.00	17.48	200.93	16.08	190.88	15.17
52		47	257.79	19.56	246.14	18.79	231.07	17.44	216.00	16.13	200.93	14.86	190.88	14.03
57		52	261.21	18.31	246.14	17.08	231.07	15.88	216.00	14.71	200.93	13.57	190.88	12.82
62		56	261.21	17.05	246.14	15.91	231.07	14.81	216.00	13.73	200.93	12.68	190.88	11.99
67		61	261.21	15.68	246.14	14.65	231.07	13.65	216.00	12.67	200.93	11.71	190.88	11.09
72		66	261.21	14.50	246.14	13.56	231.07	12.65	216.00	11.76	200.93	10.88	190.88	10.31
75		69	261.21	13.79	246.14	12.91	231.07	12.05	216.00	11.21	200.93	10.38	190.88	9.85
80%		-13	-13	144.62	42.61	144.32	43.36	143.99	44.04	143.81	44.93	143.50	45.43	143.28
	-8	-9	158.72	44.67	158.39	45.31	158.03	45.90	157.83	46.71	157.49	47.10	157.25	49.46
	-3	-4	170.82	46.15	170.46	46.66	170.08	47.15	169.87	47.84	169.50	48.12	169.24	50.53
	2	1	182.90	46.91	182.53	47.27	182.17	47.64	181.80	48.21	178.60	48.37	169.67	50.79
	7	6	193.12	43.83	192.83	43.84	192.40	43.85	192.00	43.85	178.60	43.86	169.67	43.87
	12	10	204.66	40.77	202.42	40.78	198.15	40.79	192.00	40.79	178.60	40.80	169.67	40.80
	17	15	215.79	38.90	211.66	38.90	202.26	38.91	192.00	38.92	178.60	38.92	169.67	38.93
	22	20	224.44	36.75	213.44	36.75	202.67	36.76	192.00	36.76	178.60	36.77	169.67	36.77
	27	24	224.44	34.09	213.44	34.10	202.67	34.10	192.00	34.11	178.60	34.11	169.67	33.75
	32	29	224.44	30.73	213.44	30.73	202.67	30.73	192.00	30.74	178.60	28.68	169.67	27.01
	37	34	224.44	27.30	213.44	27.30	202.67	26.98	192.00	24.91	178.60	22.91	169.67	21.60
	42	38	224.44	23.22	213.44	22.83	202.67	21.18	192.00	19.59	178.60	18.04	169.67	17.03
	47	43	224.44	19.03	213.44	17.75	202.67	16.49	192.00	15.27	178.60	14.09	169.67	13.31
	52	47	224.44	17.54	213.44	16.38	202.67	15.24	192.00	14.13	178.60	13.05	169.67	12.34
	57	52	224.44	15.97	213.44	14.93	202.67	13.91	192.00	12.91	178.60	11.94	169.67	11.30
	62	56	224.44	14.90	213.44	13.93	202.67	12.99	192.00	12.07	178.60	11.18	169.67	10.59
	67	61	224.44	13.73	213.44	12.86	202.67	12.00	192.00	11.17	178.60	10.35	169.67	9.82
	72	66	224.44	12.73	213.44	11.93	202.67	11.15	192.00	10.38	178.60	9.64	169.67	9.15
	75	69	224.44	12.12	213.44	11.37	202.67	10.64	192.00	9.92	178.60	9.21	169.67	8.75

NOTE - Power Input = Compressor + Outdoor Fan Motor.  
 MBH = 1000 BTUs per hour.



# HEATING CAPACITY - TWO MODULE - VRA240L4

Combination (%)	Outdoor Temperature (°F)		Indoor Temperature - °F Dry Bulb											
			61		64		67		70		73		75	
	Dry Bulb	Wet Bulb	Total Cap. MBH	Power Input kW	Total Cap. MBH	Power Input kW	Total Cap. MBH	Power Input kW	Total Cap. MBH	Power Input kW	Total Cap. MBH	Power Input kW	Total Cap. MBH	Power Input kW
70%	-13	-13	168.73	44.91	168.43	44.93	168.11	44.95	168.00	44.96	156.28	44.98	148.47	44.99
	-8	-9	174.57	46.69	172.32	46.71	170.08	46.72	168.00	46.74	156.28	46.75	148.47	46.76
	-3	-4	179.76	47.83	175.79	47.84	171.84	47.86	168.00	47.87	156.28	47.88	148.47	47.89
	2	1	184.41	48.20	178.89	48.21	173.41	48.22	168.00	48.23	156.28	48.24	148.47	48.25
	7	6	188.60	43.85	181.68	43.85	174.83	43.86	168.00	43.87	156.28	43.88	148.47	43.88
	12	10	192.40	40.79	184.21	40.79	176.12	40.80	168.00	40.81	156.28	40.81	148.47	40.82
	17	15	195.56	38.91	186.22	38.92	177.19	38.92	168.00	38.93	156.28	38.93	148.47	38.93
	22	20	195.56	36.76	186.22	36.76	177.19	36.77	168.00	36.77	156.28	36.65	148.47	34.48
	27	24	195.56	34.10	186.22	34.11	177.19	34.11	168.00	33.35	156.28	30.62	148.47	28.85
	32	29	195.56	30.73	186.22	30.74	177.19	28.89	168.00	26.70	156.28	24.57	148.47	23.19
	37	34	195.56	26.63	186.22	24.83	177.19	23.07	168.00	21.36	156.28	19.69	148.47	18.61
	42	38	195.56	20.92	186.22	19.52	177.19	18.16	168.00	16.84	156.28	15.55	148.47	14.71
	47	43	195.56	16.29	186.22	15.22	177.19	14.19	168.00	13.17	156.28	12.18	148.47	11.54
	52	47	195.56	15.05	186.22	14.08	177.19	13.14	168.00	12.21	156.28	11.31	148.47	10.72
	57	52	195.56	13.74	186.22	12.87	177.19	12.02	168.00	11.19	156.28	10.38	148.47	9.85
	62	56	195.56	12.83	186.22	12.04	177.19	11.25	168.00	10.49	156.28	9.74	148.47	9.25
	67	61	195.56	11.86	186.22	11.13	177.19	10.42	168.00	9.73	156.28	9.05	148.47	8.60
72	66	195.56	11.02	186.22	10.35	177.19	9.70	168.00	9.07	156.28	8.44	148.47	8.03	
75	69	195.56	10.51	186.22	9.89	177.19	9.27	168.00	8.67	156.28	8.08	148.47	7.69	
60%	-13	-13	144.63	44.96	144.37	44.97	144.09	44.98	144.00	45.00	133.95	45.01	127.26	45.02
	-8	-9	149.16	46.73	147.40	46.74	145.63	46.76	144.00	46.77	133.95	46.78	127.26	46.79
	-3	-4	153.40	47.86	150.24	47.87	147.06	47.88	144.00	47.89	133.95	47.91	127.26	47.91
	2	1	157.39	48.23	152.90	48.24	148.41	48.25	144.00	48.25	133.95	48.26	127.26	48.27
	7	6	161.14	43.87	155.41	43.87	149.68	43.88	144.00	43.89	133.95	43.89	127.26	43.90
	12	10	164.67	40.80	157.77	40.81	150.87	40.81	144.00	40.82	133.95	40.82	127.26	40.83
	17	15	168.00	38.92	160.00	38.93	152.00	38.93	144.00	38.94	133.95	37.39	127.26	35.20
	22	20	171.96	36.77	162.15	36.77	154.05	36.03	144.00	33.27	133.95	30.59	127.26	28.85
	27	24	174.14	34.11	164.09	32.43	154.05	30.11	144.00	27.86	133.95	25.67	127.26	24.24
	32	29	174.14	27.84	164.09	25.98	154.05	24.17	144.00	22.41	133.95	20.69	127.26	19.57
	37	34	174.14	22.25	164.09	20.80	154.05	19.38	144.00	18.00	133.95	16.65	127.26	15.77
	42	38	174.14	17.53	164.09	16.40	154.05	15.31	144.00	14.23	133.95	13.18	127.26	12.50
	47	43	174.14	13.70	164.09	12.84	154.05	12.00	144.00	11.17	133.95	10.37	127.26	9.84
	52	47	174.14	12.70	164.09	11.91	154.05	11.14	144.00	10.39	133.95	9.65	127.26	9.17
	57	52	174.14	11.63	164.09	10.92	154.05	10.23	144.00	9.55	133.95	8.89	127.26	8.45
	62	56	174.14	10.90	164.09	10.24	154.05	9.60	144.00	8.98	133.95	8.36	127.26	7.95
	67	61	174.14	10.10	164.09	9.51	154.05	8.92	144.00	8.35	133.95	7.78	127.26	7.41
72	66	174.14	9.41	164.09	8.87	154.05	8.33	144.00	7.80	133.95	7.28	127.26	6.94	
75	69	174.14	9.00	164.09	8.48	154.05	7.97	144.00	7.47	133.95	6.98	127.26	6.66	
50%	-13	-13	120.75	45.00	120.75	45.01	120.25	45.03	120.00	45.05	111.63	45.07	106.05	45.08
	-8	-9	125.05	46.77	123.57	46.78	121.68	46.80	120.00	46.81	111.63	46.83	106.05	46.84
	-3	-4	129.26	47.89	126.33	47.90	123.70	47.92	120.00	47.93	111.63	47.94	106.05	47.95
	2	1	133.37	48.25	129.03	48.26	126.07	48.27	120.00	48.28	111.63	48.29	106.05	48.29
	7	6	137.38	43.88	131.66	43.89	128.31	43.90	120.00	43.90	111.63	43.91	106.05	43.91
	12	10	141.29	40.82	134.23	40.82	128.37	40.83	120.00	40.83	111.63	40.84	106.05	39.54
	17	15	145.12	38.94	136.74	38.94	128.37	38.78	120.00	35.80	111.63	32.91	106.05	31.04
	22	20	145.12	33.30	136.74	33.10	128.37	32.79	120.00	30.30	111.63	27.89	106.05	26.32
	27	24	145.12	27.91	136.74	27.55	128.37	27.11	120.00	25.09	111.63	23.12	106.05	21.84
	32	29	145.12	22.47	136.74	22.00	128.37	21.47	120.00	19.90	111.63	18.38	106.05	17.38
	37	34	145.12	18.08	136.74	17.51	128.37	16.92	120.00	15.72	111.63	14.54	106.05	13.78
	42	38	145.12	14.32	136.74	13.69	128.37	13.06	120.00	12.16	111.63	11.28	106.05	10.71
	47	43	145.12	11.26	136.74	10.59	128.37	9.93	120.00	9.28	111.63	8.64	106.05	8.22
	52	47	145.12	10.47	136.74	9.85	128.37	9.25	120.00	8.65	111.63	8.07	106.05	7.69
	57	52	145.12	9.63	136.74	9.07	128.37	8.53	120.00	7.99	111.63	7.46	106.05	7.12
	62	56	145.12	9.04	136.74	8.53	128.37	8.03	120.00	7.53	111.63	7.04	106.05	6.72
	67	61	145.12	8.41	136.74	7.94	128.37	7.48	120.00	7.03	111.63	6.58	106.05	6.29
72	66	145.12	7.86	136.74	7.43	128.37	7.01	120.00	6.59	111.63	6.18	106.05	5.91	
75	69	145.12	7.53	136.74	7.12	128.37	6.72	120.00	6.33	111.63	5.94	106.05	5.68	

NOTE - Power Input = Compressor + Outdoor Fan Motor.  
MBH = 1000 BTUs per hour.



## COOLING CAPACITY - THREE MODULE - VRA264L4

Combination (%)	Outdoor Temperature °F (Dry Bulb)	Indoor Temperature - °F (Dry Bulb / Wet Bulb)											
		67 / 57		71 / 60		75 / 63		80 / 67		85 / 71		90 / 75	
		Total Cap.	Power Input	Total Cap.	Power Input	Total Cap.	Power Input	Total Cap.	Power Input	Total Cap.	Power Input	Total Cap.	Power Input
		MBH	kW	MBH	kW	MBH	kW	MBH	kW	MBH	kW	MBH	kW
130%	25	218.14	8.57	253.36	10.16	288.57	11.81	335.53	13.43	363.13	14.85	372.14	16.01
	30	218.14	8.77	253.36	10.37	288.57	12.07	335.53	13.79	357.54	15.24	365.85	16.34
	35	218.14	8.98	253.36	10.64	288.57	12.36	335.53	14.10	351.67	15.58	359.98	16.73
	40	218.14	9.19	253.36	10.91	288.57	12.65	335.53	14.41	345.80	15.93	354.12	17.12
	45	218.14	9.42	253.36	11.19	288.57	12.98	330.64	14.82	339.93	16.15	348.74	17.29
	50	218.14	9.64	253.36	11.46	288.57	13.30	325.75	15.23	334.06	16.36	343.35	17.46
	55	218.14	9.88	253.36	11.78	288.57	13.66	319.63	15.61	328.07	16.48	337.24	17.78
	60	218.14	10.12	253.36	12.06	288.57	14.03	313.52	15.84	322.32	17.03	331.13	18.38
	65	218.14	10.58	253.36	12.66	288.57	15.11	303.74	16.53	312.91	17.58	321.34	18.93
	70	218.14	10.80	253.36	13.43	285.31	15.93	302.27	17.68	310.58	18.62	319.88	19.51
	75	218.14	11.87	253.36	14.79	281.40	17.13	296.40	18.00	304.72	19.14	314.01	19.96
	80	218.14	13.06	253.36	16.28	277.33	18.39	290.29	19.10	299.09	20.10	307.89	20.36
	85	218.14	14.26	253.36	17.83	273.58	19.67	284.17	20.19	293.22	20.39	301.78	20.63
	90	218.14	15.60	252.81	19.48	269.58	20.99	278.79	21.29	287.35	21.52	295.67	21.77
	95	218.14	17.03	248.96	20.68	263.79	22.03	272.92	22.38	281.24	22.63	282.71	22.68
	100	218.14	18.54	245.11	21.88	258.17	23.12	266.08	23.45	268.28	23.53	268.28	23.53
	105	218.14	20.40	240.40	23.32	251.51	24.43	254.34	24.56	254.34	24.56	254.34	24.56
	110	218.14	22.77	234.28	25.11	239.66	25.89	239.66	25.89	239.66	25.94	239.66	25.98
115	206.40	26.08	207.14	26.15	207.38	26.18	208.36	26.18	208.36	26.28	209.34	26.28	
118	177.51	23.78	178.14	23.84	178.35	23.86	179.19	23.86	179.19	23.95	180.03	23.95	
120%	25	201.51	7.85	233.79	9.29	266.08	10.77	310.10	12.79	351.04	14.15	365.57	15.25
	30	201.51	8.03	233.79	9.53	266.08	11.00	310.10	13.14	348.25	14.51	359.98	15.56
	35	201.51	8.22	233.79	9.75	266.08	11.27	310.10	13.43	344.33	14.84	354.12	15.93
	40	201.51	8.41	233.79	9.98	266.08	11.55	310.10	13.72	340.42	15.17	348.25	16.31
	45	201.51	8.61	233.79	10.22	266.08	11.86	310.10	14.11	334.55	15.38	342.38	16.47
	50	201.51	8.82	233.79	10.45	266.08	12.16	310.10	14.50	328.68	15.58	336.51	16.63
	55	201.51	9.04	233.79	10.71	266.08	12.43	310.10	14.87	322.57	15.70	330.64	16.93
	60	201.51	9.27	233.79	11.00	266.08	12.78	308.14	15.08	316.70	16.22	325.26	17.51
	65	201.51	9.67	233.79	11.45	266.08	13.52	299.58	15.74	307.89	16.75	315.48	18.03
	70	201.51	9.83	233.79	12.02	266.08	14.50	297.38	16.84	305.20	17.73	313.03	18.67
	75	201.51	10.61	233.79	13.16	266.08	15.96	291.51	17.91	299.34	18.23	307.16	19.01
	80	201.51	11.68	233.79	14.45	265.91	17.47	285.40	18.98	293.34	19.15	302.03	19.39
	85	201.51	12.75	233.79	15.85	263.79	18.90	279.28	20.00	287.84	20.24	295.91	20.49
	90	201.51	13.97	233.79	17.34	259.72	20.10	273.90	21.09	281.97	21.34	289.80	21.58
	95	201.51	15.18	233.79	18.90	256.29	21.38	268.03	22.19	275.86	22.43	282.71	22.68
	100	201.51	16.54	233.79	20.70	252.22	22.76	261.92	23.28	267.54	23.49	268.28	23.53
	105	201.51	18.20	232.82	22.63	248.03	24.30	253.68	24.52	254.34	24.56	254.34	24.56
	110	201.51	20.24	228.66	24.48	239.01	25.89	239.66	25.89	239.66	25.94	239.66	25.98
115	201.51	22.58	205.92	25.28	207.38	26.18	208.36	26.18	208.36	26.28	209.34	26.28	
118	177.51	21.08	178.14	23.18	178.35	23.86	179.19	23.86	179.19	23.95	180.03	23.95	
110%	25	183.91	7.17	213.99	8.43	244.23	9.75	283.68	11.59	323.79	13.47	359.71	14.52
	30	183.91	7.32	213.99	8.62	244.23	9.96	283.68	11.87	323.79	13.82	354.12	14.82
	35	183.91	7.48	213.99	8.82	244.23	10.19	283.68	12.16	323.79	14.14	348.25	15.17
	40	183.91	7.65	213.99	9.03	244.23	10.43	283.68	12.46	323.79	14.45	342.38	15.53
	45	183.91	7.83	213.99	9.24	244.23	10.70	283.68	12.75	321.59	14.65	336.51	15.69
	50	183.91	8.02	213.99	9.45	244.23	10.96	283.68	13.04	319.39	14.84	330.64	15.84
	55	183.91	8.22	213.99	9.70	244.23	11.28	283.68	13.41	316.21	14.95	324.52	16.13
	60	183.91	8.42	213.99	9.99	244.23	11.58	283.68	13.77	311.56	15.45	318.90	16.67
	65	183.91	8.77	213.99	10.37	244.23	12.10	283.68	14.72	301.78	15.95	310.34	17.17
	70	183.91	8.88	213.99	10.69	244.23	12.78	283.68	15.86	299.34	16.88	307.16	17.78
	75	183.91	9.48	213.99	11.64	244.23	14.05	283.68	17.52	293.95	17.96	301.29	18.10
	80	183.91	10.39	213.99	12.78	244.23	15.38	280.50	18.81	288.33	19.05	295.42	19.20
	85	183.91	11.29	213.99	13.95	244.23	16.85	274.39	19.90	282.22	20.10	290.04	20.29
	90	183.91	12.34	213.99	15.27	244.23	18.47	269.01	21.00	276.10	21.14	283.93	21.39
	95	183.91	13.43	213.99	16.64	244.23	20.18	263.14	22.09	270.48	22.24	277.81	22.48
	100	183.91	14.65	213.99	18.22	242.27	21.78	257.03	23.09	264.49	23.37	268.28	23.53
	105	183.91	16.09	213.99	20.03	238.58	23.25	251.40	24.46	254.17	24.54	254.34	24.56
	110	183.91	17.91	213.99	22.29	234.45	25.17	239.66	25.89	239.66	25.94	239.66	25.98
115	183.91	19.85	201.51	24.60	207.38	26.18	208.36	26.18	208.36	26.28	209.34	26.28	
118	177.51	20.31	178.14	23.05	178.35	23.86	179.19	23.86	179.19	23.95	180.03	23.95	

NOTE - Power Input = Compressor + Outdoor Fan Motor.  
MBH = 1000 BTUs per hour.

## COOLING CAPACITY - THREE MODULE - VRA264L4

Combination (%)	Outdoor Temperature °F (Dry Bulb)	Indoor Temperature - °F (Dry Bulb / Wet Bulb)											
		67 / 57		71 / 60		75 / 63		80 / 67		85 / 71		90 / 75	
		Total Cap.	Power Input	Total Cap.	Power Input	Total Cap.	Power Input	Total Cap.	Power Input	Total Cap.	Power Input	Total Cap.	Power Input
		MBH	kW	MBH	kW	MBH	kW	MBH	kW	MBH	kW	MBH	kW
100%	25	167.28	6.49	194.42	7.60	221.73	8.76	252.00	10.40	294.44	12.07	330.64	13.83
	30	167.28	6.63	194.42	7.77	221.73	8.96	252.00	10.61	294.44	12.31	330.64	14.11
	35	167.28	6.77	194.42	7.95	221.73	9.18	252.00	10.85	294.44	12.63	330.64	14.45
	40	167.28	6.91	194.42	8.13	221.73	9.40	252.00	11.09	294.44	12.94	330.64	14.79
	45	167.28	7.08	194.42	8.33	221.73	9.63	252.00	11.39	294.44	13.28	327.70	14.94
	50	167.28	7.24	194.42	8.53	221.73	9.86	252.00	11.68	294.44	13.62	324.77	15.08
	55	167.28	7.41	194.42	8.74	221.73	10.10	252.00	12.02	294.44	13.99	318.65	15.36
	60	167.28	7.60	194.42	8.96	221.73	10.37	252.00	12.31	294.44	14.38	312.54	15.88
	65	167.28	7.90	194.42	9.34	221.73	10.85	252.00	12.89	293.34	15.42	302.76	16.35
	70	167.28	8.00	194.42	9.44	221.73	11.16	252.00	13.82	290.53	16.45	301.29	16.93
	75	167.28	8.38	194.42	10.27	221.73	12.26	252.00	15.18	288.09	17.71	295.42	18.00
	80	167.28	9.16	194.42	11.21	221.73	13.42	252.00	16.67	282.58	18.86	289.31	19.07
	85	167.28	9.98	194.42	12.24	221.73	14.68	252.00	18.30	276.84	19.95	283.19	20.10
	90	167.28	10.90	194.42	13.34	221.73	16.06	252.00	20.00	270.72	21.05	277.81	21.19
	95	167.28	11.87	194.42	14.57	221.73	17.55	252.00	22.05	265.10	22.14	271.94	22.29
	100	167.28	12.87	194.42	15.84	221.73	19.09	252.14	22.99	259.11	23.22	265.34	23.38
	105	167.28	14.11	194.42	17.44	221.73	21.04	246.51	24.30	252.54	24.49	254.34	24.56
	110	167.28	15.67	194.42	19.39	221.73	23.49	239.66	25.89	239.66	25.94	239.66	25.98
115	167.28	17.42	194.42	21.58	206.08	25.11	208.36	26.18	208.36	26.28	209.34	26.28	
118	167.28	18.47	171.09	20.13	178.35	23.03	179.19	23.86	179.19	23.95	180.03	23.95	
90%	25	150.65	5.84	175.59	6.80	200.21	7.81	232.82	9.21	265.10	10.69	297.38	12.21
	30	150.65	5.96	175.59	6.95	200.21	7.98	232.82	9.42	265.10	10.90	297.38	12.55
	35	150.65	6.08	175.59	7.10	200.21	8.16	232.82	9.67	265.10	11.19	297.38	12.85
	40	150.65	6.21	175.59	7.26	200.21	8.35	232.82	9.93	265.10	11.48	297.38	13.14
	45	150.65	6.35	175.59	7.43	200.21	8.56	232.82	10.17	265.10	11.78	297.38	13.48
	50	150.65	6.49	175.59	7.60	200.21	8.76	232.82	10.41	265.10	12.07	297.38	13.82
	55	150.65	6.64	175.59	7.79	200.21	8.98	232.82	10.66	265.10	12.38	297.38	14.18
	60	150.65	6.80	175.59	7.98	200.21	9.22	232.82	10.95	265.10	12.72	297.38	14.55
	65	150.65	7.06	175.59	8.31	200.21	9.59	232.82	11.46	265.10	13.32	297.38	15.72
	70	150.65	7.14	175.59	8.41	200.21	9.69	232.82	11.87	265.10	14.35	294.44	16.74
	75	150.65	7.35	175.59	8.90	200.21	10.60	232.82	13.04	265.10	15.81	288.57	17.81
	80	150.65	8.01	175.59	9.74	200.21	11.58	232.82	14.28	265.10	17.36	283.44	18.90
	85	150.65	8.73	175.59	10.65	200.21	12.68	232.82	15.67	264.36	18.93	277.33	20.00
	90	150.65	9.50	175.59	11.57	200.21	13.84	232.82	17.13	262.16	20.39	271.21	21.02
	95	150.65	10.32	175.59	12.58	200.21	15.08	232.82	18.69	259.23	21.85	266.08	22.09
	100	150.65	11.19	175.59	13.71	200.21	16.41	232.82	20.41	253.60	23.04	259.96	23.19
	105	150.65	12.29	175.59	15.07	200.21	18.05	232.82	22.48	247.98	24.35	253.03	24.49
	110	150.65	13.62	175.59	16.76	200.21	20.14	232.82	25.11	239.66	25.94	239.66	25.98
115	150.65	15.08	175.59	18.59	199.56	24.04	208.36	26.18	208.36	26.28	209.34	26.28	
118	150.65	15.99	171.09	19.20	173.61	22.17	179.19	23.86	179.19	23.95	180.03	23.95	
80%	25	134.02	5.22	156.03	6.04	177.71	6.89	206.40	8.09	235.26	9.36	265.10	10.69
	30	134.02	5.31	156.03	6.16	177.71	7.04	206.40	8.27	235.26	9.58	265.10	10.90
	35	134.02	5.42	156.03	6.29	177.71	7.20	206.40	8.47	235.26	9.81	265.10	11.19
	40	134.02	5.53	156.03	6.43	177.71	7.35	206.40	8.66	235.26	10.05	265.10	11.48
	45	134.02	5.65	156.03	6.57	177.71	7.53	206.40	8.88	235.26	10.30	265.10	11.78
	50	134.02	5.77	156.03	6.72	177.71	7.70	206.40	9.09	235.26	10.56	265.10	12.07
	55	134.02	5.90	156.03	6.87	177.71	7.89	206.40	9.32	235.26	10.81	265.10	12.34
	60	134.02	6.03	156.03	7.04	177.71	8.09	206.40	9.56	235.26	11.09	265.10	12.70
	65	134.02	6.27	156.03	7.32	177.71	8.43	206.40	9.94	235.26	11.56	265.10	13.36
	70	134.02	6.33	156.03	7.41	177.71	8.53	206.40	10.12	235.26	12.12	265.10	14.31
	75	134.02	6.49	156.03	7.69	177.71	9.04	206.40	11.09	235.26	13.33	265.10	15.77
	80	134.02	6.95	156.03	8.37	177.71	9.89	206.40	12.09	235.26	14.61	265.10	17.35
	85	134.02	7.56	156.03	9.11	177.71	10.80	206.40	13.24	235.26	15.98	265.10	18.98
	90	134.02	8.22	156.03	9.94	177.71	11.79	206.40	14.45	235.26	17.51	264.36	20.75
	95	134.02	8.90	156.03	10.77	177.71	12.81	206.40	15.77	235.26	19.07	259.23	21.90
	100	134.02	9.65	156.03	11.70	177.71	13.91	206.40	17.23	235.26	20.85	253.36	22.99
	105	134.02	10.58	156.03	12.86	177.71	15.29	206.40	18.88	235.26	22.95	247.82	24.30
	110	134.02	11.68	156.03	14.23	177.71	17.03	206.40	21.12	232.82	25.16	239.66	25.98
115	134.02	12.94	156.03	15.79	177.71	18.88	206.40	23.45	208.36	26.28	209.34	26.28	
118	134.02	13.72	156.03	16.74	173.61	19.55	179.19	21.58	179.19	23.95	180.03	23.95	

NOTE - Power Input = Compressor + Outdoor Fan Motor.  
MBH = 1000 BTUs per hour.

## COOLING CAPACITY - THREE MODULE - VRA264L4

Combination (%)	Outdoor Temperature °F (Dry Bulb)	Indoor Temperature - °F (Dry Bulb / Wet Bulb)											
		67 / 57		71 / 60		75 / 63		80 / 67		85 / 71		90 / 75	
		Total Cap.	Power Input	Total Cap.	Power Input	Total Cap.	Power Input	Total Cap.	Power Input	Total Cap.	Power Input	Total Cap.	Power Input
		MBH	kW	MBH	kW	MBH	kW	MBH	kW	MBH	kW	MBH	kW
70%	25	117.39	4.63	136.46	5.31	155.21	6.02	180.97	7.02	205.92	8.08	231.84	9.17
	30	117.39	4.71	136.46	5.41	155.21	6.14	180.97	7.16	205.92	8.26	231.84	9.38
	35	117.39	4.80	136.46	5.52	155.21	6.27	180.97	7.33	205.92	8.45	231.84	9.61
	40	117.39	4.89	136.46	5.63	155.21	6.40	180.97	7.49	205.92	8.64	231.84	9.83
	45	117.39	4.98	136.46	5.75	155.21	6.55	180.97	7.67	205.92	8.86	231.84	10.07
	50	117.39	5.08	136.46	5.87	155.21	6.69	180.97	7.84	205.92	9.07	231.84	10.32
	55	117.39	5.19	136.46	6.01	155.21	6.85	180.97	8.04	205.92	9.29	231.84	10.58
	60	117.39	5.30	136.46	6.14	155.21	7.02	180.97	8.25	205.92	9.54	231.84	10.90
	65	117.39	5.50	136.46	6.37	155.21	7.30	180.97	8.59	205.92	9.99	231.84	11.36
	70	117.39	5.55	136.46	6.44	155.21	7.38	180.97	8.69	205.92	10.12	231.84	11.78
	75	117.39	5.68	136.46	6.61	155.21	7.65	180.97	9.24	205.92	11.05	231.84	12.94
	80	117.39	5.98	136.46	7.11	155.21	8.33	180.97	10.10	205.92	12.09	231.84	14.26
	85	117.39	6.49	136.46	7.74	155.21	9.07	180.97	11.00	205.92	13.24	231.84	15.57
	90	117.39	7.03	136.46	8.40	155.21	9.85	180.97	12.04	205.92	14.42	231.84	17.03
	95	117.39	7.60	136.46	9.11	155.21	10.73	180.97	13.14	205.92	15.77	231.84	18.59
	100	117.39	8.23	136.46	9.85	155.21	11.64	180.97	14.26	205.92	17.18	231.84	20.32
	105	117.39	8.97	136.46	10.81	155.21	12.76	180.97	15.64	205.92	18.86	231.84	22.38
	110	117.39	9.93	136.46	11.97	155.21	14.14	180.97	17.42	205.92	21.02	231.84	25.01
115	117.39	11.00	136.46	13.26	155.21	15.70	180.97	19.37	203.96	24.33	209.34	26.28	
118	117.39	11.66	136.46	14.06	155.21	16.64	162.87	18.48	179.19	22.66	180.03	23.95	
60%	25	100.76	4.06	116.90	4.62	133.36	5.19	154.56	6.00	176.57	6.85	198.58	7.75
	30	100.76	4.13	116.90	4.70	133.36	5.29	154.56	6.12	176.57	7.00	198.58	7.92
	35	100.76	4.20	116.90	4.78	133.36	5.39	154.56	6.25	176.57	7.16	198.58	8.10
	40	100.76	4.27	116.90	4.87	133.36	5.50	154.56	6.38	176.57	7.31	198.58	8.28
	45	100.76	4.35	116.90	4.97	133.36	5.62	154.56	6.53	176.57	7.49	198.58	8.49
	50	100.76	4.44	116.90	5.07	133.36	5.74	154.56	6.67	176.57	7.66	198.58	8.69
	55	100.76	4.52	116.90	5.18	133.36	5.87	154.56	6.83	176.57	7.85	198.58	8.91
	60	100.76	4.61	116.90	5.29	133.36	6.00	154.56	6.99	176.57	8.05	198.58	9.14
	65	100.76	4.77	116.90	5.48	133.36	6.22	154.56	7.26	176.57	8.37	198.58	9.53
	70	100.76	4.81	116.90	5.54	133.36	6.29	154.56	7.35	176.57	8.47	198.58	9.64
	75	100.76	4.91	116.90	5.67	133.36	6.45	154.56	7.59	176.57	8.97	198.58	10.51
	80	100.76	5.09	116.90	5.97	133.36	6.91	154.56	8.29	176.57	9.82	198.58	11.48
	85	100.76	5.49	116.90	6.47	133.36	7.51	154.56	9.04	176.57	10.73	198.58	12.51
	90	100.76	5.94	116.90	7.01	133.36	8.16	154.56	9.85	176.57	11.68	198.58	13.67
	95	100.76	6.41	116.90	7.59	133.36	8.84	154.56	10.71	176.57	12.70	198.58	14.89
	100	100.76	6.92	116.90	8.21	133.36	9.60	154.56	11.58	176.57	13.82	198.58	16.25
	105	100.76	7.53	116.90	8.95	133.36	10.45	154.56	12.68	176.57	15.17	198.58	17.84
	110	100.76	8.31	116.90	9.89	133.36	11.58	154.56	14.11	176.57	16.88	198.58	19.85
115	100.76	9.16	116.90	10.90	133.36	12.85	154.56	15.67	176.57	18.73	198.58	22.09	
118	100.76	9.71	116.90	11.56	133.36	13.62	154.56	16.61	162.44	18.27	180.03	21.23	
50%	25	84.13	3.50	97.33	3.93	111.52	4.36	128.15	4.98	147.22	5.63	165.32	6.32
	30	84.13	3.54	97.33	3.98	111.52	4.44	128.15	5.08	147.22	5.74	165.32	6.46
	35	84.13	3.60	97.33	4.05	111.52	4.52	128.15	5.18	147.22	5.86	165.32	6.60
	40	84.13	3.66	97.33	4.11	111.52	4.59	128.15	5.27	147.22	5.99	165.32	6.73
	45	84.13	3.73	97.33	4.19	111.52	4.69	128.15	5.38	147.22	6.12	165.32	6.90
	50	84.13	3.80	97.33	4.28	111.52	4.79	128.15	5.49	147.22	6.25	165.32	7.07
	55	84.13	3.86	97.33	4.35	111.52	4.88	128.15	5.61	147.22	6.40	165.32	7.24
	60	84.13	3.92	97.33	4.44	111.52	4.98	128.15	5.74	147.22	6.55	165.32	7.39
	65	84.13	4.04	97.33	4.58	111.52	5.15	128.15	5.93	147.22	6.76	165.32	7.69
	70	84.13	4.07	97.33	4.63	111.52	5.21	128.15	6.00	147.22	6.83	165.32	7.51
	75	84.13	4.15	97.33	4.72	111.52	5.25	128.15	5.95	147.22	6.90	165.32	8.08
	80	84.13	4.20	97.33	4.82	111.52	5.49	128.15	6.49	147.22	7.54	165.32	8.71
	85	84.13	4.50	97.33	5.21	111.52	5.96	128.15	7.08	147.22	8.22	165.32	9.44
	90	84.13	4.85	97.33	5.62	111.52	6.47	128.15	7.66	147.22	8.94	165.32	10.32
	95	84.13	5.23	97.33	6.07	111.52	6.96	128.15	8.27	147.22	9.63	165.32	11.19
	100	84.13	5.61	97.33	6.57	111.52	7.55	128.15	8.90	147.22	10.46	165.32	12.19
	105	84.13	6.09	97.33	7.10	111.52	8.14	128.15	9.73	147.22	11.47	165.32	13.30
	110	84.13	6.70	97.33	7.80	111.52	9.02	128.15	10.80	147.22	12.75	165.32	14.70
115	84.13	7.32	97.33	8.54	111.52	9.99	128.15	11.97	147.22	13.14	165.32	17.91	
118	84.13	7.76	97.33	9.06	111.52	10.59	128.15	12.69	147.22	13.93	165.32	18.98	

NOTE - Power Input = Compressor + Outdoor Fan Motor.  
MBH = 1000 BTUs per hour.

## HEATING CAPACITY - THREE MODULE - VRA264L4

Combination (%)	Outdoor Temperature (°F)		Indoor Temperature - °F Dry Bulb											
			61		64		67		70		73		75	
	Dry Bulb	Wet Bulb	Total Cap. MBH	Power Input kW	Total Cap. MBH	Power Input kW	Total Cap. MBH	Power Input kW	Total Cap. MBH	Power Input kW	Total Cap. MBH	Power Input kW	Total Cap. MBH	Power Input kW
130%	-13	-13	207.07	43.80	206.49	45.00	205.91	46.12	205.31	47.16	204.72	48.18	204.25	48.77
	-8	-9	221.80	47.08	221.18	48.14	220.56	49.12	219.91	50.04	219.28	50.93	218.78	51.45
	-3	-4	236.12	49.08	235.46	49.93	234.80	50.74	234.11	51.48	233.44	52.19	232.91	52.63
	2	1	251.10	50.39	250.43	51.01	249.68	51.60	249.09	52.15	248.30	52.67	247.86	53.01
	7	6	266.05	50.29	265.37	50.70	264.54	51.08	263.90	51.43	263.12	51.77	262.69	51.99
	12	10	279.48	49.11	278.80	49.31	277.97	49.50	277.33	49.68	276.54	49.85	276.11	49.96
	17	15	288.68	47.55	288.02	47.57	287.35	47.58	286.80	47.59	286.02	47.60	285.58	47.61
	22	20	293.13	44.77	292.49	44.78	291.85	44.79	291.10	44.80	290.57	44.81	290.14	44.81
	27	24	297.15	41.43	295.46	41.43	294.77	41.44	294.61	41.45	293.76	41.46	292.26	41.46
	32	29	300.22	36.86	299.18	36.86	298.21	36.87	297.81	36.88	297.26	36.88	296.36	36.89
	37	34	279.07	31.44	278.24	31.44	277.34	31.45	276.95	31.45	276.78	31.46	276.70	31.46
	42	38	303.42	26.81	302.70	26.81	301.70	26.82	294.18	26.82	292.14	26.83	289.36	26.83
	47	43	329.12	23.21	321.66	23.21	314.20	23.21	306.74	23.22	299.28	23.22	295.37	23.22
	52	47	341.18	22.70	333.72	22.70	326.26	22.70	318.80	22.71	311.34	22.71	306.37	22.71
	57	52	356.26	22.06	348.80	22.06	341.34	22.07	333.88	22.07	326.42	22.07	321.45	22.07
	62	56	368.33	21.55	360.86	21.55	353.40	21.56	345.94	21.56	338.48	21.56	323.97	20.54
	67	61	383.40	20.91	375.94	20.91	368.48	20.92	361.02	20.92	341.02	19.70	323.97	18.55
	72	66	398.48	20.27	391.02	20.28	383.56	20.28	366.60	19.43	341.02	17.85	323.97	16.82
75	69	407.53	19.89	400.07	19.89	392.61	19.89	369.95	18.54	341.02	16.74	323.97	15.78	
120%	-13	-13	206.08	45.78	205.50	46.70	204.98	47.64	204.53	48.56	203.95	49.41	203.60	49.92
	-8	-9	220.74	48.81	220.12	49.64	219.56	50.46	219.08	51.26	218.46	51.99	218.09	52.44
	-3	-4	235.00	50.47	234.33	51.16	233.74	51.82	233.23	52.47	232.57	53.04	232.17	53.40
	2	1	249.99	51.38	249.31	51.92	248.71	52.41	248.19	52.88	247.40	53.29	246.96	53.55
	7	6	264.85	50.94	264.16	51.29	263.53	51.59	262.99	51.91	262.20	52.16	261.75	52.34
	12	10	278.27	49.44	277.59	49.61	276.96	49.75	276.42	49.92	275.74	50.03	275.18	50.11
	17	15	287.79	47.57	287.05	47.58	286.43	47.59	285.68	47.60	285.13	47.61	284.69	47.62
	22	20	292.17	44.78	291.53	44.79	290.96	44.80	290.24	44.81	289.71	44.82	289.28	44.82
	27	24	294.80	41.44	294.66	41.44	294.55	41.45	294.42	41.46	292.15	41.47	292.07	41.47
	32	29	298.77	36.87	298.05	36.87	297.72	36.88	297.58	36.88	296.04	36.89	295.49	36.89
	37	34	277.97	31.44	277.20	31.45	276.84	31.45	276.70	31.46	263.77	31.46	260.21	31.47
	42	38	287.91	26.82	287.04	26.82	286.65	26.82	285.88	26.83	278.94	26.83	272.65	26.83
	47	43	317.33	23.21	310.48	23.21	305.40	23.22	298.51	23.22	291.63	23.22	287.03	23.23
	52	47	331.24	22.70	324.35	22.70	317.46	22.71	310.58	22.71	303.69	22.71	299.05	22.71
	57	52	346.31	22.06	339.43	22.07	332.54	22.07	325.65	22.07	314.79	21.61	299.05	20.34
	62	56	358.38	21.55	351.49	21.56	344.60	21.56	337.72	21.56	314.79	19.86	299.05	18.70
	67	61	373.46	20.92	366.57	20.92	359.68	20.92	338.40	19.52	314.79	17.94	299.05	16.91
	72	66	388.54	20.28	381.65	20.28	362.01	19.14	338.40	17.69	314.79	16.28	299.05	15.36
75	69	397.58	19.89	390.70	19.89	363.40	18.08	338.40	16.59	314.79	15.28	299.05	14.43	
110%	-13	-13	205.18	47.43	204.70	48.23	204.15	49.00	203.60	49.79	203.16	50.43	202.83	50.81
	-8	-9	219.78	50.27	219.26	50.97	218.68	51.64	218.09	52.34	217.61	52.89	217.26	53.19
	-3	-4	233.97	51.66	233.42	52.23	232.80	52.77	232.17	53.34	231.66	53.76	231.29	53.97
	2	1	248.86	52.28	248.36	52.71	247.75	53.10	247.08	53.52	246.52	53.82	246.19	53.93
	7	6	263.67	51.51	263.16	51.79	262.57	52.05	262.02	52.32	261.34	52.48	260.98	52.53
	12	10	277.10	49.71	276.59	49.85	275.99	49.99	275.44	50.10	274.84	50.15	274.45	50.14
	17	15	286.03	47.59	285.36	47.60	284.85	47.61	284.79	47.62	283.85	47.63	274.13	47.63
	22	20	293.46	44.79	291.77	44.80	291.28	44.81	287.20	44.82	285.93	44.83	274.13	44.83
	27	24	300.97	41.45	298.57	41.45	297.44	41.46	289.97	41.47	288.51	41.48	274.13	41.48
	32	29	303.49	36.87	302.06	36.88	301.13	36.89	294.77	36.89	289.63	36.90	274.13	36.90
	37	34	277.62	31.45	277.49	31.45	276.93	31.46	272.47	31.46	260.16	31.47	251.21	31.47
	42	38	293.97	26.82	293.39	26.83	288.54	26.83	277.59	26.83	270.85	26.84	261.30	26.84
	47	43	311.08	23.22	304.59	23.22	297.41	23.22	290.29	23.22	283.97	23.23	274.13	22.45
	52	47	323.03	22.71	318.55	22.71	309.08	22.71	302.35	22.71	288.56	21.76	274.13	20.49
	57	52	337.28	22.07	330.05	22.07	323.74	22.07	310.20	21.24	288.56	19.51	274.13	18.39
	62	56	348.90	21.56	342.12	21.56	331.84	21.14	310.20	19.52	288.56	17.95	274.13	16.93
	67	61	363.51	20.92	353.48	20.56	331.84	19.08	310.20	17.64	288.56	16.24	274.13	15.33
	72	66	375.13	19.97	353.48	18.61	331.84	17.29	310.20	16.01	288.56	14.76	274.13	13.94
75	69	382.10	19.40	353.48	17.45	331.84	16.22	310.20	15.03	288.56	13.87	274.13	13.11	

NOTE - Power Input = Compressor + Outdoor Fan Motor.  
 MBH = 1000 BTUs per hour.

# HEATING CAPACITY - THREE MODULE - VRA264L4

Combination (%)	Outdoor Temperature (°F)		Indoor Temperature - °F Dry Bulb											
			61		64		67		70		73		75	
	Dry Bulb	Wet Bulb	Total Cap. MBH	Power Input kW	Total Cap. MBH	Power Input kW	Total Cap. MBH	Power Input kW	Total Cap. MBH	Power Input kW	Total Cap. MBH	Power Input kW	Total Cap. MBH	Power Input kW
100%	-13	-13	204.25	48.99	203.77	49.68	203.33	50.29	202.83	51.11	202.41	51.90	202.13	56.52
	-8	-9	218.78	51.64	218.26	52.23	217.79	52.77	217.26	53.51	216.80	54.23	216.51	58.49
	-3	-4	232.91	52.76	232.36	53.23	231.86	53.68	231.29	54.31	230.81	54.93	230.49	58.70
	2	1	247.86	53.09	247.19	53.43	246.74	53.77	246.19	54.28	245.62	54.79	243.67	58.02
	7	6	262.65	52.04	261.97	52.26	261.52	52.48	260.98	52.88	258.15	53.28	249.21	55.90
	12	10	276.09	49.97	275.53	50.09	275.01	50.19	274.44	50.45	262.33	50.62	249.21	52.75
	17	15	286.60	47.60	286.10	47.61	285.16	47.62	282.00	47.63	262.33	47.64	249.21	47.64
	22	20	290.44	44.81	289.96	44.81	288.42	44.82	282.00	44.83	262.33	44.84	249.21	44.84
	27	24	292.39	41.46	291.21	41.47	290.33	41.47	282.00	41.48	262.33	41.48	249.21	41.49
	32	29	299.06	36.88	296.38	36.89	293.11	36.89	282.00	36.90	262.33	36.90	249.21	36.91
	37	34	281.58	31.46	277.28	31.46	268.67	31.47	254.92	31.47	240.76	31.47	231.31	31.48
	42	38	304.69	26.83	293.18	26.83	281.81	26.83	266.98	26.84	252.15	26.84	242.26	25.43
	47	43	318.09	23.45	303.11	23.45	290.68	23.45	282.00	23.45	262.33	21.52	249.21	20.27
	52	47	325.49	22.96	311.71	22.96	299.86	22.96	282.00	21.41	262.33	19.68	249.21	18.55
	57	52	332.59	22.37	320.68	22.37	301.67	20.83	282.00	19.25	262.33	17.72	249.21	16.72
	62	56	338.48	21.85	321.35	20.62	301.67	19.15	282.00	17.72	262.33	16.33	249.21	15.42
	67	61	341.02	19.96	321.35	18.62	301.67	17.31	282.00	16.04	262.33	14.80	249.21	13.99
	72	66	341.02	18.09	321.35	16.89	301.67	15.72	282.00	14.58	262.33	13.47	249.21	12.74
	75	69	341.02	16.96	321.35	15.85	301.67	14.76	282.00	13.70	262.33	12.67	249.21	11.99
	90%	-13	-13	199.89	55.82	199.49	56.50	199.10	57.12	198.77	57.94	197.71	58.39	196.16
-8		-9	214.11	58.20	213.68	58.79	213.26	59.34	212.91	60.08	211.78	60.45	210.11	62.60
-3		-4	227.93	58.88	227.48	59.34	227.04	59.79	226.66	60.42	226.01	60.69	222.55	62.87
2		1	241.53	58.67	241.11	59.00	240.65	59.34	240.22	59.86	234.98	60.00	224.29	62.18
7		6	253.97	57.55	253.55	57.56	250.64	57.58	248.80	57.59	236.09	57.60	224.29	57.61
12		10	264.56	52.64	264.01	52.65	260.45	52.66	253.80	52.68	236.09	52.69	224.29	52.69
17		15	269.70	48.32	269.30	48.32	264.51	48.33	253.80	48.34	236.09	48.35	224.29	48.35
22		20	274.64	44.82	274.11	44.83	267.27	44.83	253.80	44.84	236.09	44.85	224.29	44.85
27		24	282.06	41.47	278.89	41.48	271.51	41.48	253.80	41.49	236.09	41.49	224.29	41.50
32		29	290.06	36.89	281.78	36.90	271.51	36.90	253.80	36.91	236.09	36.91	224.29	36.91
37		34	287.81	31.46	274.34	31.47	261.21	31.47	246.69	31.48	236.09	30.30	224.29	28.52
42		38	295.29	26.83	281.48	26.84	268.01	26.84	253.80	25.98	236.09	23.87	224.29	22.49
47		43	298.54	23.22	284.58	23.23	271.51	22.20	253.80	20.51	236.09	18.87	224.29	17.80
52		47	302.02	22.71	289.21	21.82	271.51	20.26	253.80	18.74	236.09	17.26	224.29	16.30
57		52	306.92	20.97	289.21	19.56	271.51	18.18	253.80	16.84	236.09	15.54	224.29	14.69
62		56	306.92	19.28	289.21	18.00	271.51	16.74	253.80	15.53	236.09	14.34	224.29	13.56
67		61	306.92	17.43	289.21	16.28	271.51	15.17	253.80	14.08	236.09	13.02	224.29	12.33
72		66	306.92	15.82	289.21	14.79	271.51	13.80	253.80	12.82	236.09	11.87	224.29	11.25
75		69	306.92	14.85	289.21	13.90	271.51	12.97	253.80	12.07	236.09	11.18	224.29	10.60
80%		-13	-13	195.82	59.68	195.43	60.43	195.01	61.11	194.80	62.01	193.76	62.51	192.23
	-8	-9	210.11	62.30	209.03	62.94	207.93	63.54	207.03	64.36	205.41	64.76	199.37	67.13
	-3	-4	224.80	63.07	223.04	63.57	221.25	64.07	219.66	64.77	209.86	65.05	199.37	66.65
	2	1	232.59	62.90	230.25	63.26	227.91	63.63	225.60	64.20	209.86	64.36	199.37	64.50
	7	6	242.37	57.58	237.93	57.59	233.39	57.60	225.60	57.61	209.86	57.62	199.37	57.63
	12	10	249.51	52.66	243.78	52.67	237.70	52.68	225.60	52.69	209.86	52.70	199.37	52.71
	17	15	256.69	48.33	250.76	48.34	238.13	48.35	225.60	48.35	209.86	48.36	199.37	48.37
	22	20	263.58	44.83	250.76	44.84	238.13	44.84	225.60	44.85	209.86	44.86	199.37	44.86
	27	24	263.58	41.48	250.76	41.49	238.13	41.49	225.60	41.50	209.86	41.50	199.37	41.06
	32	29	263.58	36.90	250.76	36.91	238.13	36.91	225.60	36.91	209.86	34.44	199.37	32.44
	37	34	263.58	31.47	250.76	31.47	238.13	31.10	225.60	28.72	209.86	26.41	199.37	24.90
	42	38	263.58	26.84	250.76	26.38	238.13	24.49	225.60	22.64	209.86	20.85	199.37	19.68
	47	43	263.58	22.32	250.76	20.82	238.13	19.35	225.60	17.92	209.86	16.52	199.37	15.62
	52	47	263.58	20.38	250.76	19.02	238.13	17.70	225.60	16.41	209.86	15.15	199.37	14.33
	57	52	263.58	18.29	250.76	17.09	238.13	15.92	225.60	14.78	209.86	13.67	199.37	12.94
	62	56	263.58	16.84	250.76	15.75	238.13	14.69	225.60	13.65	209.86	12.63	199.37	11.97
	67	61	263.58	15.25	250.76	14.28	238.13	13.33	225.60	12.40	209.86	11.50	199.37	10.91
	72	66	263.58	13.87	250.76	13.00	238.13	12.15	225.60	11.32	209.86	10.50	199.37	9.97
	75	69	263.58	13.04	250.76	12.23	238.13	11.44	225.60	10.66	209.86	9.91	199.37	9.41

NOTE - Power Input = Compressor + Outdoor Fan Motor.  
 MBH = 1000 BTUs per hour.



# HEATING CAPACITY - THREE MODULE - VRA264L4

Combination (%)	Outdoor Temperature (°F)		Indoor Temperature - °F Dry Bulb											
			61		64		67		70		73		75	
	Dry Bulb	Wet Bulb	Total Cap. MBH	Power Input kW	Total Cap. MBH	Power Input kW	Total Cap. MBH	Power Input kW	Total Cap. MBH	Power Input kW	Total Cap. MBH	Power Input kW	Total Cap. MBH	Power Input kW
70%	-13	-13	198.26	61.98	197.91	62.01	197.53	62.03	197.40	62.05	183.63	62.08	174.45	62.09
	-8	-9	205.12	64.34	202.48	64.36	199.85	64.38	197.40	64.40	183.63	64.42	174.45	64.43
	-3	-4	211.22	64.75	206.55	64.77	201.91	64.78	197.40	64.80	183.63	64.82	174.45	64.83
	2	1	216.68	64.19	210.19	64.20	203.76	64.21	197.40	64.23	183.63	64.24	174.45	64.25
	7	6	221.61	57.60	213.48	57.61	205.43	57.62	197.40	57.63	183.63	57.64	174.45	57.65
	12	10	226.07	52.68	216.45	52.69	206.94	52.70	197.40	52.71	183.63	52.72	174.45	52.72
	17	15	230.13	48.35	219.16	48.35	208.31	48.36	197.40	48.37	183.63	48.37	174.45	48.38
	22	20	230.13	44.85	219.16	44.85	208.31	44.86	197.40	44.86	183.63	44.71	174.45	42.07
	27	24	230.13	41.49	219.16	41.50	208.31	41.50	197.40	40.57	183.63	37.26	174.45	35.11
	32	29	230.13	36.91	219.16	36.91	208.31	34.70	197.40	32.07	183.63	29.51	174.45	27.85
	37	34	230.13	30.70	219.16	28.62	208.31	26.60	197.40	24.62	183.63	22.70	174.45	21.45
	42	38	230.13	24.18	219.16	22.57	208.31	20.99	197.40	19.46	183.63	17.97	174.45	17.00
	47	43	230.13	19.11	219.16	17.86	208.31	16.64	197.40	15.45	183.63	14.29	174.45	13.53
	52	47	230.13	17.48	219.16	16.35	208.31	15.25	197.40	14.18	183.63	13.13	174.45	12.44
	57	52	230.13	15.73	219.16	14.73	208.31	13.76	197.40	12.81	183.63	11.88	174.45	11.27
	62	56	230.13	14.51	219.16	13.61	208.31	12.72	197.40	11.85	183.63	11.00	174.45	10.45
	67	61	230.13	13.18	219.16	12.37	208.31	11.57	197.40	10.80	183.63	10.03	174.45	9.54
72	66	230.13	12.01	219.16	11.28	208.31	10.57	197.40	9.87	183.63	9.19	174.45	8.74	
75	69	230.13	11.31	219.16	10.63	208.31	9.97	197.40	9.32	183.63	8.68	174.45	8.26	
60%	-13	-13	169.94	62.04	169.63	62.06	169.31	62.08	169.20	62.10	157.40	62.12	149.53	62.13
	-8	-9	175.26	64.39	173.20	64.41	171.11	64.42	169.20	64.44	157.40	64.46	149.53	64.47
	-3	-4	180.25	64.79	176.53	64.81	172.80	64.82	169.20	64.84	157.40	64.85	149.53	64.86
	2	1	184.93	64.22	179.66	64.23	174.38	64.24	169.20	64.26	157.40	64.27	149.53	64.27
	7	6	189.33	57.62	182.61	57.63	175.87	57.64	169.20	57.65	157.40	57.66	149.53	57.67
	12	10	193.48	52.70	185.38	52.71	177.28	52.72	169.20	52.73	157.40	52.73	149.53	52.74
	17	15	197.40	48.36	188.00	48.37	178.60	48.37	169.20	48.38	157.40	46.45	149.53	43.73
	22	20	201.51	44.86	190.53	44.86	181.00	43.95	169.20	40.59	157.40	37.33	149.53	35.20
	27	24	203.92	41.50	192.45	39.46	181.00	36.64	169.20	33.90	157.40	31.23	149.53	29.49
	32	29	204.61	33.44	192.60	31.21	181.00	29.03	169.20	26.91	157.40	24.85	149.53	23.50
	37	34	204.61	25.65	192.66	23.98	181.00	22.34	169.20	20.75	157.40	19.19	149.53	18.18
	42	38	204.61	20.26	192.71	18.96	181.00	17.69	169.20	16.45	157.40	15.24	149.53	14.45
	47	43	204.61	16.07	192.81	15.06	181.00	14.07	169.20	13.10	157.40	12.16	149.53	11.54
	52	47	204.61	14.74	192.81	13.83	181.00	12.93	169.20	12.06	157.40	11.20	149.53	10.64
	57	52	204.61	13.30	192.81	12.49	181.00	11.70	169.20	10.92	157.40	10.16	149.53	9.67
	62	56	204.61	12.30	192.81	11.56	181.00	10.84	169.20	10.13	157.40	9.44	149.53	8.98
	67	61	204.61	11.20	192.81	10.54	181.00	9.89	169.20	9.26	157.40	8.63	149.53	8.22
72	66	204.61	10.24	192.81	9.64	181.00	9.06	169.20	8.48	157.40	7.92	149.53	7.55	
75	69	204.61	9.66	192.81	9.10	181.00	8.56	169.20	8.02	157.40	7.50	149.53	7.15	
50%	-13	-13	141.75	62.10	141.46	62.12	141.22	62.13	141.00	62.15	131.16	62.17	124.60	62.18
	-8	-9	145.86	64.44	144.85	64.45	142.66	64.47	141.00	64.48	131.16	64.50	124.60	64.51
	-3	-4	149.89	64.83	148.16	64.85	144.58	64.86	141.00	64.87	131.16	64.88	124.60	64.89
	2	1	153.82	64.25	151.39	64.26	146.81	64.27	141.00	64.28	131.16	64.29	124.60	64.30
	7	6	157.66	57.65	154.56	57.66	148.91	57.66	141.00	57.67	131.16	57.68	124.60	57.68
	12	10	161.42	52.72	157.65	52.73	150.41	52.74	141.00	52.48	131.16	48.18	124.60	45.39
	17	15	165.09	48.38	160.67	47.61	150.84	44.18	141.00	40.85	131.16	37.61	124.60	35.51
	22	20	170.51	40.96	160.67	38.22	150.84	35.55	141.00	32.95	131.16	30.42	124.60	28.77
	27	24	170.51	34.20	160.67	31.96	150.84	29.78	141.00	27.65	131.16	25.57	124.60	24.21
	32	29	170.51	27.14	160.67	25.41	150.84	23.72	141.00	22.07	131.16	20.45	124.60	19.40
	37	34	170.51	20.92	160.67	19.62	150.84	18.35	141.00	17.10	131.16	15.88	124.60	15.08
	42	38	170.51	16.59	160.67	15.57	150.84	14.58	141.00	13.60	131.16	12.65	124.60	12.03
	47	43	170.51	13.21	160.67	12.42	150.84	11.64	141.00	10.88	131.16	10.13	124.60	9.64
	52	47	170.51	12.15	160.67	11.44	150.84	10.73	141.00	10.04	131.16	9.37	124.60	8.92
	57	52	170.51	11.01	160.67	10.37	150.84	9.75	141.00	9.13	131.16	8.53	124.60	8.13
	62	56	170.51	10.21	160.67	9.63	150.84	9.06	141.00	8.49	131.16	7.94	124.60	7.58
	67	61	170.51	9.33	160.67	8.80	150.84	8.29	141.00	7.78	131.16	7.29	124.60	6.96
72	66	170.51	8.55	160.67	8.08	150.84	7.61	141.00	7.16	131.16	6.71	124.60	6.41	
75	69	170.51	8.08	160.67	7.64	150.84	7.21	141.00	6.78	131.16	6.36	124.60	6.08	

NOTE - Power Input = Compressor + Outdoor Fan Motor.  
MBH = 1000 BTUs per hour.

## COOLING CAPACITY - THREE MODULE - VRA288L4

Combination (%)	Outdoor Temperature °F (Dry Bulb)	Indoor Temperature - °F (Dry Bulb / Wet Bulb)											
		67 / 57		71 / 60		75 / 63		80 / 67		85 / 71		90 / 75	
		Total Cap.	Power Input	Total Cap.	Power Input	Total Cap.	Power Input	Total Cap.	Power Input	Total Cap.	Power Input	Total Cap.	Power Input
		MBH	kW	MBH	kW	MBH	kW	MBH	kW	MBH	kW	MBH	kW
130%	25	238.17	9.41	277.13	11.14	315.60	12.94	366.56	14.76	396.88	16.30	406.89	17.49
	30	238.17	9.62	277.13	11.41	315.60	13.23	366.56	15.07	390.58	16.66	399.89	17.91
	35	238.17	9.85	277.13	11.70	315.60	13.57	366.56	15.44	384.21	17.11	393.52	18.38
	40	238.17	10.08	277.13	11.99	315.60	13.91	366.56	15.82	377.84	17.56	387.15	18.85
	45	238.17	10.33	277.13	12.28	315.60	14.25	361.17	16.24	371.47	17.76	380.78	18.97
	50	238.17	10.59	277.13	12.57	315.60	14.59	355.78	16.67	365.09	17.95	374.41	19.09
	55	238.17	10.84	277.13	12.92	315.60	15.04	349.41	17.10	358.97	18.12	368.28	19.41
	60	238.17	11.15	277.13	13.28	315.60	15.42	342.55	17.42	352.35	18.47	362.15	19.90
	65	238.17	11.68	277.13	13.93	315.60	16.51	332.75	18.14	341.33	19.27	352.35	20.47
	70	238.17	11.91	277.13	14.81	311.68	17.54	330.30	19.34	339.61	20.37	348.92	21.13
	75	238.17	13.03	277.13	16.23	307.76	18.80	323.44	20.63	333.24	21.71	343.04	21.68
	80	238.17	14.30	277.13	17.83	303.51	20.15	317.31	21.83	326.62	22.14	336.67	22.08
	85	238.17	15.62	277.13	19.59	298.94	21.60	311.19	22.14	320.50	22.37	329.81	22.60
	90	238.17	17.10	276.58	21.34	294.61	22.97	304.33	23.28	314.37	23.58	322.95	23.87
	95	238.17	18.63	271.98	22.67	288.48	24.22	297.96	24.53	307.27	24.78	308.74	24.84
	100	238.17	20.41	267.39	24.05	282.19	25.40	290.85	25.68	293.79	25.79	293.79	25.83
	105	238.17	22.43	262.67	25.63	274.54	26.79	277.70	26.91	277.70	26.91	277.70	26.91
	110	238.17	25.04	255.81	27.56	261.69	28.40	261.69	28.40	262.67	28.50	262.67	28.50
115	225.43	28.70	226.16	28.70	226.41	28.70	227.39	28.81	227.88	28.81	228.37	28.81	
118	193.87	26.17	194.50	26.17	194.71	26.17	195.55	26.26	195.97	26.26	196.40	26.26	
120%	25	219.55	8.63	255.57	10.18	291.10	11.79	339.12	14.06	383.93	15.53	400.31	16.66
	30	219.55	8.81	255.57	10.45	291.10	12.08	339.12	14.35	380.78	15.87	394.01	17.06
	35	219.55	9.02	255.57	10.69	291.10	12.37	339.12	14.71	376.37	16.30	387.64	17.51
	40	219.55	9.22	255.57	10.93	291.10	12.66	339.12	15.06	371.96	16.73	381.27	17.95
	45	219.55	9.45	255.57	11.22	291.10	12.99	339.12	15.47	365.58	16.91	374.90	18.07
	50	219.55	9.67	255.57	11.50	291.10	13.33	339.12	15.88	359.21	17.10	368.52	18.18
	55	219.55	9.92	255.57	11.78	291.10	13.68	339.12	16.29	352.60	17.26	361.42	18.49
	60	219.55	10.18	255.57	12.09	291.10	14.05	337.16	16.59	346.47	17.59	355.29	18.95
	65	219.55	10.59	255.57	12.55	291.10	14.82	328.58	17.28	336.30	18.36	345.49	19.50
	70	219.55	10.69	255.57	13.21	291.10	15.88	324.42	18.42	333.73	19.40	342.06	20.12
	75	219.55	11.71	255.57	14.45	291.10	17.47	318.54	19.64	327.36	20.68	336.18	20.84
	80	219.55	12.85	255.57	15.88	290.93	19.17	312.17	20.79	320.74	21.08	330.05	21.22
	85	219.55	14.00	255.57	17.39	288.48	20.73	305.31	21.93	314.62	22.19	323.44	22.44
	90	219.55	15.29	255.57	19.05	284.07	22.09	299.18	23.16	308.12	23.41	316.82	23.67
	95	219.55	16.69	255.57	20.82	279.99	23.48	293.06	24.33	301.88	24.63	308.74	24.84
	100	219.55	18.14	255.57	22.65	275.90	24.91	286.68	25.57	292.69	25.79	293.79	25.83
	105	219.55	19.95	254.59	24.78	271.28	26.62	277.05	26.87	277.70	26.91	277.70	26.91
	110	219.55	22.19	250.42	26.85	261.37	28.40	261.69	28.40	262.67	28.50	262.67	28.50
115	219.55	24.73	224.69	27.71	226.41	28.70	227.39	28.81	227.88	28.81	228.37	28.81	
118	193.87	23.15	194.50	25.43	194.71	26.17	195.55	26.26	195.97	26.26	196.40	26.26	
110%	25	201.90	7.85	234.25	9.25	266.59	10.69	310.70	12.74	353.82	14.79	393.45	15.86
	30	201.90	8.02	234.25	9.46	266.59	10.91	310.70	13.03	353.82	15.12	387.15	16.24
	35	201.90	8.20	234.25	9.67	266.59	11.19	310.70	13.33	353.82	15.52	380.78	16.67
	40	201.90	8.39	234.25	9.88	266.59	11.47	310.70	13.64	353.82	15.93	374.41	17.10
	45	201.90	8.59	234.25	10.13	266.59	11.76	310.70	14.00	351.37	16.11	368.03	17.21
	50	201.90	8.79	234.25	10.37	266.59	12.04	310.70	14.35	348.92	16.29	361.66	17.31
	55	201.90	9.01	234.25	10.69	266.59	12.40	310.70	14.73	345.61	16.44	354.56	17.61
	60	201.90	9.24	234.25	10.94	266.59	12.69	310.70	15.12	340.59	16.75	348.43	18.05
	65	201.90	9.62	234.25	11.39	266.59	13.26	310.70	16.11	330.42	17.48	338.63	18.57
	70	201.90	9.74	234.25	11.75	266.59	13.98	310.70	17.41	327.36	18.47	336.18	19.45
	75	201.90	10.38	234.25	12.82	266.59	15.40	310.70	19.24	321.48	19.70	329.32	19.85
	80	201.90	11.40	234.25	14.05	266.59	16.89	306.53	20.69	314.74	20.84	323.19	21.10
	85	201.90	12.42	234.25	15.36	266.59	18.54	300.41	21.83	308.25	22.04	316.58	22.24
	90	201.90	13.51	234.25	16.74	266.59	20.22	294.28	22.98	302.12	23.23	309.96	23.46
	95	201.90	14.76	234.25	18.27	266.59	22.09	287.17	24.22	296.00	24.43	303.84	24.73
	100	201.90	16.06	234.25	19.95	265.12	23.86	281.05	25.37	288.89	25.62	293.79	25.83
	105	201.90	17.64	234.25	21.97	260.93	25.54	274.76	26.80	277.54	26.89	277.70	26.91
	110	201.90	19.64	234.25	24.45	256.14	27.62	261.69	28.40	262.67	28.50	262.67	28.50
115	201.90	21.78	220.28	26.97	226.41	28.70	227.39	28.81	227.88	28.81	228.37	28.81	
118	193.87	22.17	194.50	25.25	194.71	26.17	195.55	26.26	195.97	26.26	196.40	26.26	

NOTE - Power Input = Compressor + Outdoor Fan Motor.  
MBH = 1000 BTUs per hour.

## COOLING CAPACITY - THREE MODULE - VRA288L4

Combination (%)	Outdoor Temperature °F (Dry Bulb)	Indoor Temperature - °F (Dry Bulb / Wet Bulb)											
		67 / 57		71 / 60		75 / 63		80 / 67		85 / 71		90 / 75	
		Total Cap.	Power Input	Total Cap.	Power Input	Total Cap.	Power Input	Total Cap.	Power Input	Total Cap.	Power Input	Total Cap.	Power Input
		MBH	kW	MBH	kW	MBH	kW	MBH	kW	MBH	kW	MBH	kW
100%	25	183.28	7.12	212.69	8.34	242.74	9.61	276.00	11.39	321.97	13.21	361.66	15.11
	30	183.28	7.27	212.69	8.52	242.74	9.83	276.00	11.60	321.97	13.54	361.66	15.47
	35	183.28	7.43	212.69	8.72	242.74	10.07	276.00	11.91	321.97	13.89	361.66	15.88
	40	183.28	7.58	212.69	8.92	242.74	10.31	276.00	12.21	321.97	14.25	361.66	16.29
	45	183.28	7.76	212.69	9.14	242.74	10.56	276.00	12.52	321.97	14.61	358.23	16.39
	50	183.28	7.94	212.69	9.35	242.74	10.81	276.00	12.82	321.97	14.96	354.80	16.49
	55	183.28	8.13	212.69	9.58	242.74	11.07	276.00	13.21	321.97	15.36	347.70	16.77
	60	183.28	8.34	212.69	9.83	242.74	11.38	276.00	13.54	321.97	15.78	341.57	17.19
	65	183.28	8.67	212.69	10.32	242.74	11.88	276.00	14.10	320.50	16.85	331.77	17.69
	70	183.28	8.77	212.69	10.36	242.74	12.25	276.00	15.17	317.56	18.02	329.32	18.52
	75	183.28	9.19	212.69	11.23	242.74	13.40	276.00	16.69	314.13	19.44	322.46	19.75
	80	183.28	10.04	212.69	12.30	242.74	14.72	276.00	18.35	308.49	20.74	316.33	20.89
	85	183.28	10.94	212.69	13.42	242.74	16.08	276.00	20.05	302.37	21.88	310.21	22.09
	90	183.28	11.91	212.69	14.68	242.74	17.60	276.00	21.99	296.24	23.03	303.35	23.28
	95	183.28	12.93	212.69	15.98	242.74	19.24	276.00	24.79	289.63	24.98	296.98	25.12
	100	183.28	14.10	212.69	17.42	242.74	20.97	275.06	25.19	283.01	25.43	290.12	25.68
	105	183.28	15.47	212.69	19.11	242.74	23.06	269.86	26.63	275.74	26.84	277.70	26.91
	110	183.28	17.20	212.69	21.32	242.74	25.75	261.69	28.40	262.67	28.50	262.67	28.50
115	183.28	19.14	212.69	23.72	225.10	27.55	227.39	28.81	227.88	28.81	228.37	28.81	
118	183.28	20.28	187.16	22.12	194.71	25.26	195.55	26.26	195.97	26.26	196.40	26.26	
90%	25	164.66	6.40	191.86	7.47	218.57	8.57	253.85	10.12	290.12	11.72	325.40	13.38
	30	164.66	6.53	191.86	7.62	218.57	8.75	253.85	10.38	290.12	12.01	325.40	13.74
	35	164.66	6.67	191.86	7.79	218.57	8.96	253.85	10.59	290.12	12.29	325.40	14.05
	40	164.66	6.81	191.86	7.96	218.57	9.16	253.85	10.79	290.12	12.57	325.40	14.35
	45	164.66	6.96	191.86	8.15	218.57	9.39	253.85	11.09	290.12	12.90	325.40	14.76
	50	164.66	7.11	191.86	8.34	218.57	9.61	253.85	11.40	290.12	13.23	325.40	15.17
	55	164.66	7.28	191.86	8.54	218.57	9.87	253.85	11.68	290.12	13.60	325.40	15.55
	60	164.66	7.46	191.86	8.76	218.57	10.12	253.85	12.01	290.12	13.97	325.40	15.98
	65	164.66	7.75	191.86	9.12	218.57	10.52	253.85	12.49	290.12	14.72	325.40	17.33
	70	164.66	7.84	191.86	9.23	218.57	10.69	253.85	13.03	290.12	15.78	322.46	18.42
	75	164.66	8.05	191.86	9.80	218.57	11.60	253.85	14.35	290.12	17.35	315.60	19.54
	80	164.66	8.79	191.86	10.67	218.57	12.69	253.85	15.67	290.12	19.05	309.47	20.71
	85	164.66	9.58	191.86	11.67	218.57	13.89	253.85	17.20	289.38	20.79	303.35	21.93
	90	164.66	10.42	191.86	12.74	218.57	15.17	253.85	18.80	286.44	22.38	296.49	23.08
	95	164.66	11.30	191.86	13.82	218.57	16.56	253.85	20.56	283.25	23.97	290.12	24.22
	100	164.66	12.32	191.86	15.05	218.57	18.02	253.85	22.39	277.50	25.23	283.99	25.47
	105	164.66	13.47	191.86	16.52	218.57	19.80	253.85	24.70	270.84	26.67	276.39	26.84
	110	164.66	14.96	191.86	18.40	218.57	22.05	253.85	27.58	262.67	28.50	262.67	28.50
115	164.66	16.59	191.86	20.41	217.91	26.36	227.39	28.81	227.88	28.81	228.37	28.81	
118	164.66	17.59	187.16	21.10	189.58	24.31	195.55	26.26	195.97	26.26	196.40	26.26	
80%	25	147.02	5.72	170.54	6.63	194.06	7.56	225.43	8.87	257.77	10.26	289.14	11.72
	30	147.02	5.83	170.54	6.76	194.06	7.72	225.43	9.07	257.77	10.51	289.14	12.01
	35	147.02	5.95	170.54	6.90	194.06	7.90	225.43	9.28	257.77	10.75	289.14	12.27
	40	147.02	6.07	170.54	7.04	194.06	8.07	225.43	9.50	257.77	10.99	289.14	12.52
	45	147.02	6.20	170.54	7.21	194.06	8.26	225.43	9.73	257.77	11.30	289.14	12.88
	50	147.02	6.33	170.54	7.37	194.06	8.45	225.43	9.96	257.77	11.60	289.14	13.23
	55	147.02	6.47	170.54	7.54	194.06	8.66	225.43	10.22	257.77	11.87	289.14	13.59
	60	147.02	6.62	170.54	7.72	194.06	8.88	225.43	10.48	257.77	12.19	289.14	13.89
	65	147.02	6.87	170.54	8.04	194.06	9.24	225.43	10.89	257.77	12.70	289.14	14.66
	70	147.02	6.94	170.54	8.13	194.06	9.35	225.43	11.09	257.77	13.28	289.14	15.67
	75	147.02	7.11	170.54	8.44	194.06	9.95	225.43	12.11	257.77	14.61	289.14	17.30
	80	147.02	7.63	170.54	9.18	194.06	10.83	225.43	13.28	257.77	16.03	289.14	18.98
	85	147.02	8.30	170.54	9.97	194.06	11.82	225.43	14.56	257.77	17.58	289.14	20.82
	90	147.02	9.01	170.54	10.88	194.06	12.91	225.43	15.90	257.77	19.17	289.14	22.72
	95	147.02	9.77	170.54	11.83	194.06	14.08	225.43	17.30	257.77	20.92	283.25	24.02
	100	147.02	10.56	170.54	12.81	194.06	15.29	225.43	18.86	257.77	22.90	277.13	25.27
	105	147.02	11.57	170.54	14.09	194.06	16.81	225.43	20.73	257.44	25.17	270.84	26.70
	110	147.02	12.82	170.54	15.65	194.06	18.69	225.43	23.11	254.83	27.58	262.67	28.50
115	147.02	14.15	170.54	17.35	194.06	20.73	225.43	25.75	227.88	28.81	228.37	28.81	
118	147.02	15.00	170.54	18.40	189.58	21.47	195.55	23.68	195.97	26.26	196.40	26.26	

NOTE - Power Input = Compressor + Outdoor Fan Motor.  
MBH = 1000 BTUs per hour.

## COOLING CAPACITY - THREE MODULE - VRA288L4

Combination (%)	Outdoor Temperature °F (Dry Bulb)	Indoor Temperature - °F (Dry Bulb / Wet Bulb)											
		67 / 57		71 / 60		75 / 63		80 / 67		85 / 71		90 / 75	
		Total Cap.	Power Input	Total Cap.	Power Input	Total Cap.	Power Input	Total Cap.	Power Input	Total Cap.	Power Input	Total Cap.	Power Input
		MBH	kW	MBH	kW	MBH	kW	MBH	kW	MBH	kW	MBH	kW
70%	25	128.40	5.07	148.98	5.82	169.56	6.60	197.98	7.70	225.43	8.86	252.87	10.06
	30	128.40	5.16	148.98	5.93	169.56	6.73	197.98	7.86	225.43	9.05	252.87	10.28
	35	128.40	5.26	148.98	6.05	169.56	6.88	197.98	8.04	225.43	9.27	252.87	10.53
	40	128.40	5.36	148.98	6.17	169.56	7.02	197.98	8.21	225.43	9.48	252.87	10.79
	45	128.40	5.47	148.98	6.31	169.56	7.18	197.98	8.41	225.43	9.71	252.87	11.04
	50	128.40	5.58	148.98	6.44	169.56	7.34	197.98	8.61	225.43	9.94	252.87	11.30
	55	128.40	5.69	148.98	6.59	169.56	7.52	197.98	8.82	225.43	10.19	252.87	11.65
	60	128.40	5.82	148.98	6.74	169.56	7.70	197.98	9.05	225.43	10.47	252.87	11.96
	65	128.40	6.03	148.98	6.99	169.56	8.00	197.98	9.42	225.43	10.92	252.87	12.49
	70	128.40	6.09	148.98	7.07	169.56	8.09	197.98	9.53	225.43	11.09	252.87	12.93
	75	128.40	6.23	148.98	7.25	169.56	8.39	197.98	10.14	225.43	12.11	252.87	14.25
	80	128.40	6.55	148.98	7.80	169.56	9.14	197.98	11.09	225.43	13.23	252.87	15.65
	85	128.40	7.11	148.98	8.49	169.56	9.95	197.98	12.11	225.43	14.50	252.87	17.10
	90	128.40	7.71	148.98	9.22	169.56	10.84	197.98	13.21	225.43	15.81	252.87	18.70
	95	128.40	8.35	148.98	10.03	169.56	11.81	197.98	14.35	225.43	17.25	252.87	20.46
	100	128.40	9.03	148.98	10.86	169.56	12.80	197.98	15.65	225.43	18.84	252.87	22.29
	105	128.40	9.84	148.98	11.88	169.56	14.02	197.98	17.17	225.43	20.68	252.87	24.53
	110	128.40	10.89	148.98	13.10	169.56	15.54	197.98	19.14	225.43	23.05	252.87	27.38
115	128.40	12.01	148.98	14.53	169.56	17.27	197.98	21.27	223.47	26.67	228.37	28.81	
118	128.40	12.73	148.98	15.40	169.56	18.31	178.19	20.29	195.97	24.79	196.40	26.26	
60%	25	109.77	4.46	127.42	5.06	145.71	5.69	169.56	6.58	193.08	7.52	216.61	8.50
	30	109.77	4.53	127.42	5.16	145.71	5.80	169.56	6.71	193.08	7.68	216.61	8.68
	35	109.77	4.61	127.42	5.25	145.71	5.92	169.56	6.86	193.08	7.85	216.61	8.89
	40	109.77	4.69	127.42	5.35	145.71	6.04	169.56	7.00	193.08	8.02	216.61	9.09
	45	109.77	4.78	127.42	5.45	145.71	6.16	169.56	7.16	193.08	8.21	216.61	9.31
	50	109.77	4.87	127.42	5.56	145.71	6.29	169.56	7.32	193.08	8.40	216.61	9.54
	55	109.77	4.96	127.42	5.68	145.71	6.43	169.56	7.49	193.08	8.61	216.61	9.78
	60	109.77	5.06	127.42	5.80	145.71	6.58	169.56	7.67	193.08	8.83	216.61	10.03
	65	109.77	5.22	127.42	6.01	145.71	6.83	169.56	7.97	193.08	9.19	216.61	10.48
	70	109.77	5.27	127.42	6.07	145.71	6.90	169.56	8.06	193.08	9.29	216.61	10.59
	75	109.77	5.39	127.42	6.22	145.71	7.08	169.56	8.33	193.08	9.86	216.61	11.50
	80	109.77	5.58	127.42	6.54	145.71	7.58	169.56	9.09	193.08	10.77	216.61	12.55
	85	109.77	6.03	127.42	7.10	145.71	8.24	169.56	9.92	193.08	11.76	216.61	13.74
	90	109.77	6.52	127.42	7.69	145.71	8.95	169.56	10.81	193.08	12.81	216.61	15.01
	95	109.77	7.03	127.42	8.32	145.71	9.70	169.56	11.71	193.08	13.94	216.61	16.39
	100	109.77	7.60	127.42	9.01	145.71	10.54	169.56	12.72	193.08	15.17	216.61	17.81
	105	109.77	8.26	127.42	9.84	145.71	11.51	169.56	13.94	193.08	16.64	216.61	19.54
	110	109.77	9.12	127.42	10.83	145.71	12.69	169.56	15.47	193.08	18.52	216.61	21.78
115	109.77	10.05	127.42	11.98	145.71	14.11	169.56	17.20	193.08	20.56	216.61	24.22	
118	109.77	10.65	127.42	12.70	145.71	14.96	169.56	18.23	177.64	20.05	196.40	23.28	
50%	25	91.15	3.84	105.85	4.30	121.86	4.78	141.14	5.46	160.74	6.18	180.34	6.94
	30	91.15	3.90	105.85	4.38	121.86	4.87	141.14	5.56	160.74	6.31	180.34	7.08
	35	91.15	3.96	105.85	4.45	121.86	4.96	141.14	5.67	160.74	6.43	180.34	7.24
	40	91.15	4.02	105.85	4.52	121.86	5.05	141.14	5.79	160.74	6.56	180.34	7.39
	45	91.15	4.09	105.85	4.60	121.86	5.14	141.14	5.91	160.74	6.71	180.34	7.58
	50	91.15	4.15	105.85	4.68	121.86	5.24	141.14	6.03	160.74	6.86	180.34	7.78
	55	91.15	4.22	105.85	4.77	121.86	5.34	141.14	6.15	160.74	7.03	180.34	7.90
	60	91.15	4.30	105.85	4.86	121.86	5.46	141.14	6.29	160.74	7.19	180.34	8.10
	65	91.15	4.42	105.85	5.03	121.86	5.67	141.14	6.53	160.74	7.46	180.34	8.47
	70	91.15	4.46	105.85	5.08	121.86	5.72	141.14	6.60	160.74	7.49	180.34	8.24
	75	91.15	4.56	105.85	5.19	121.86	5.77	141.14	6.51	160.74	7.61	180.34	8.75
	80	91.15	4.61	105.85	5.29	121.86	6.02	141.14	7.09	160.74	8.30	180.34	9.44
	85	91.15	4.94	105.85	5.72	121.86	6.54	141.14	7.74	160.74	9.01	180.34	10.38
	90	91.15	5.33	105.85	6.17	121.86	7.06	141.14	8.42	160.74	9.81	180.34	11.32
	95	91.15	5.72	105.85	6.62	121.86	7.60	141.14	9.06	160.74	10.64	180.34	12.32
	100	91.15	6.16	105.85	7.15	121.86	8.28	141.14	9.80	160.74	11.49	180.34	13.33
	105	91.15	6.69	105.85	7.81	121.86	8.99	141.14	10.72	160.74	12.60	180.34	14.56
	110	91.15	7.35	105.85	8.56	121.86	9.84	141.14	11.81	160.74	14.00	180.34	16.18
115	91.15	8.08	105.85	9.43	121.86	10.96	141.14	13.13	160.74	14.45	180.34	19.64	
118	91.15	8.57	105.85	9.99	121.86	11.62	141.14	13.92	160.74	15.32	180.34	20.82	

NOTE - Power Input = Compressor + Outdoor Fan Motor.  
MBH = 1000 BTUs per hour.

# HEATING CAPACITY - THREE MODULE - VRA288L4

Combination (%)	Outdoor Temperature (°F)		Indoor Temperature - °F Dry Bulb											
			61		64		67		70		73		75	
	Dry Bulb	Wet Bulb	Total Cap. MBH	Power Input kW	Total Cap. MBH	Power Input kW	Total Cap. MBH	Power Input kW	Total Cap. MBH	Power Input kW	Total Cap. MBH	Power Input kW	Total Cap. MBH	Power Input kW
130%	-13	-13	208.38	45.03	207.69	46.42	207.21	47.59	206.68	48.85	206.02	50.01	205.73	50.72
	-8	-9	225.23	48.26	224.48	49.49	223.96	50.53	223.39	51.63	222.68	52.62	222.37	53.24
	-3	-4	241.68	50.54	240.87	51.54	240.32	52.42	239.71	53.30	238.94	54.07	238.61	54.58
	2	1	258.74	52.09	257.91	52.82	257.11	53.52	256.37	54.15	255.80	54.69	255.32	55.07
	7	6	275.87	52.63	275.02	53.15	274.14	53.61	273.61	54.02	272.81	54.36	272.31	54.59
	12	10	292.06	52.00	291.21	52.27	290.28	52.48	289.74	52.64	288.96	52.81	288.41	52.91
	17	15	305.48	51.05	304.63	51.06	304.06	51.07	303.11	51.09	302.44	51.10	301.76	51.11
	22	20	310.13	48.44	309.32	48.45	308.77	48.46	307.75	48.47	307.21	48.48	306.56	48.49
	27	24	313.95	44.84	312.93	44.84	312.20	44.85	311.78	44.86	310.84	44.87	309.93	44.88
	32	29	317.22	40.08	316.39	40.08	315.62	40.09	314.99	40.10	314.34	40.11	313.63	40.11
	37	34	293.61	34.72	292.95	34.72	292.24	34.73	291.70	34.73	291.25	34.74	291.02	34.74
	42	38	320.81	29.59	320.23	29.59	319.45	29.60	311.46	29.60	309.18	29.61	306.55	29.61
	47	43	347.10	25.46	339.91	25.46	332.03	25.47	324.14	25.47	316.26	25.48	312.16	25.48
	52	47	361.04	25.06	353.15	25.07	345.27	25.07	337.38	25.07	329.50	25.08	324.24	25.08
	57	52	377.59	24.56	369.70	24.57	361.82	24.57	353.93	24.57	346.05	24.58	340.75	24.57
	62	56	390.83	24.17	382.94	24.17	375.06	24.17	367.17	24.17	358.76	24.11	342.35	22.85
	67	61	407.37	23.67	399.49	23.67	391.61	23.67	383.72	23.68	360.37	22.06	342.35	20.78
	72	66	423.92	23.17	416.04	23.17	408.16	23.17	387.40	21.92	360.37	20.14	342.35	18.99
75	69	433.85	22.87	425.97	22.87	418.09	22.87	389.61	20.87	360.37	18.99	342.35	17.91	
120%	-13	-13	207.47	47.52	206.89	48.48	206.37	49.47	205.91	50.43	205.33	51.32	204.98	51.86
	-8	-9	224.25	50.46	223.62	51.32	223.05	52.18	222.56	53.01	221.93	53.77	221.55	54.24
	-3	-4	240.63	52.35	239.95	53.07	239.35	53.76	238.82	54.44	238.14	55.03	237.74	55.41
	2	1	257.39	53.44	256.69	54.00	256.07	54.51	255.54	55.01	254.72	55.43	254.27	55.71
	7	6	274.41	53.58	273.71	53.96	273.05	54.28	272.49	54.61	271.66	54.88	271.19	55.07
	12	10	290.53	52.45	289.82	52.63	289.16	52.78	288.60	52.96	287.89	53.08	287.30	53.16
	17	15	304.10	51.07	303.32	51.08	302.66	51.09	301.86	51.10	301.28	51.11	300.82	51.12
	22	20	308.71	48.45	308.03	48.46	307.43	48.47	306.66	48.48	306.10	48.49	305.66	48.50
	27	24	311.44	44.85	311.30	44.86	311.19	44.87	311.06	44.87	308.62	44.88	308.54	44.89
	32	29	315.52	40.09	314.75	40.09	314.40	40.10	314.26	40.11	312.63	40.11	312.08	40.12
	37	34	292.57	34.72	291.75	34.73	291.37	34.74	291.24	34.74	278.74	34.75	273.96	34.75
	42	38	306.97	29.60	305.06	29.60	303.42	29.61	302.66	29.61	295.31	29.61	288.70	29.62
	47	43	335.29	25.47	328.06	25.47	322.73	25.47	315.45	25.48	308.17	25.48	303.32	25.48
	52	47	350.56	25.07	343.27	25.07	335.98	25.07	328.69	25.08	321.40	25.08	316.02	25.08
	57	52	367.14	24.57	359.84	24.57	352.54	24.57	345.24	24.58	332.65	24.07	316.02	22.65
	62	56	379.47	24.01	371.73	24.01	364.45	24.02	357.17	24.02	332.65	22.12	316.02	20.84
	67	61	395.44	23.42	387.37	23.43	380.09	23.43	357.60	21.86	332.65	20.09	316.02	18.94
	72	66	410.58	22.88	403.30	22.88	382.55	21.60	357.60	19.96	332.65	18.37	316.02	17.33
75	69	420.14	22.57	412.86	22.57	384.02	20.51	357.60	18.82	332.65	17.33	316.02	16.37	
110%	-13	-13	206.57	49.25	206.08	50.08	205.53	50.89	204.98	51.72	204.53	52.39	204.20	52.79
	-8	-9	223.27	51.98	222.74	52.71	222.15	53.41	221.55	54.13	221.06	54.70	220.71	55.02
	-3	-4	239.58	53.59	239.01	54.19	238.38	54.75	237.74	55.34	237.21	55.78	236.83	56.01
	2	1	256.22	54.37	255.71	54.82	255.08	55.23	254.39	55.68	253.81	55.98	253.47	56.10
	7	6	273.18	54.19	272.66	54.49	272.05	54.76	271.48	55.05	270.77	55.22	270.41	55.27
	12	10	289.30	52.74	288.78	52.89	288.15	53.04	287.58	53.15	286.95	53.21	284.54	53.19
	17	15	303.30	51.08	302.59	51.09	302.05	51.10	300.92	51.11	299.95	51.13	289.68	51.13
	22	20	309.93	48.47	308.12	48.48	307.60	48.48	303.41	48.49	302.11	48.50	289.68	48.51
	27	24	317.85	44.86	315.33	44.87	314.13	44.88	306.29	44.88	304.83	44.89	289.68	44.90
	32	29	320.42	40.10	318.96	40.10	317.96	40.11	311.28	40.12	305.98	40.12	289.68	40.13
	37	34	292.15	34.73	292.03	34.74	291.47	34.74	286.89	34.75	273.98	34.75	264.58	34.76
	42	38	311.10	29.60	310.53	29.61	305.41	29.61	293.88	29.61	286.77	29.62	276.65	29.62
	47	43	328.62	25.47	322.41	25.47	314.86	25.48	306.76	25.48	300.09	25.48	289.69	24.63
	52	47	341.78	25.07	337.12	25.07	327.75	25.08	320.00	25.08	304.93	24.03	289.68	22.62
	57	52	356.36	24.43	348.78	24.43	342.11	24.44	327.80	23.51	304.93	21.60	289.68	20.35
	62	56	368.67	23.98	361.53	23.99	350.67	23.51	327.80	21.71	304.93	19.97	289.68	18.83
	67	61	384.13	23.43	373.54	23.03	350.67	21.37	327.80	19.76	304.93	18.19	289.68	17.18
	72	66	396.41	22.54	373.54	21.01	350.67	19.52	327.80	18.07	304.93	16.66	289.68	15.74
75	69	403.77	22.01	373.54	19.80	350.67	18.41	327.80	17.06	304.93	15.74	289.68	14.88	

NOTE - Power Input = Compressor + Outdoor Fan Motor.  
MBH = 1000 BTUs per hour.



# HEATING CAPACITY - THREE MODULE - VRA288L4

Combination (%)	Outdoor Temperature (°F)		Indoor Temperature - °F Dry Bulb											
			61		64		67		70		73		75	
	Dry Bulb	Wet Bulb	Total Cap. MBH	Power Input kW	Total Cap. MBH	Power Input kW	Total Cap. MBH	Power Input kW	Total Cap. MBH	Power Input kW	Total Cap. MBH	Power Input kW	Total Cap. MBH	Power Input kW
100%	-13	-13	205.82	50.77	205.30	51.55	204.96	52.24	204.20	53.10	203.93	54.04	203.77	58.80
	-8	-9	222.47	53.33	221.90	53.98	221.53	54.57	220.71	55.35	220.42	56.20	220.24	60.58
	-3	-4	238.72	54.71	238.11	55.22	237.72	55.68	236.83	56.36	236.53	57.09	236.34	60.98
	2	1	255.06	55.23	254.43	55.58	254.08	55.91	253.47	56.47	252.83	57.06	250.96	60.41
	7	6	272.23	54.77	271.38	54.99	270.95	55.21	270.41	55.64	267.45	56.10	261.22	58.86
	12	10	288.30	53.07	287.82	53.16	287.18	53.26	286.53	53.53	277.21	53.77	263.35	56.05
	17	15	302.60	51.10	302.27	51.11	301.16	51.12	298.00	51.13	277.21	51.14	263.35	51.15
	22	20	306.08	48.48	305.77	48.49	304.57	48.50	298.00	48.51	277.21	48.25	263.35	48.09
	27	24	307.89	44.87	306.94	44.88	306.09	44.89	298.00	44.89	277.21	44.41	263.35	44.10
	32	29	313.50	40.11	311.61	40.11	308.14	40.12	298.00	40.12	277.21	39.46	263.35	39.03
	37	34	287.73	34.74	284.25	34.75	278.09	34.75	268.28	34.75	255.26	33.96	245.64	33.45
	42	38	310.59	29.61	302.93	29.62	294.80	29.62	281.52	29.62	265.88	28.77	255.45	27.32
	47	43	331.45	25.69	319.13	25.69	307.17	25.70	298.00	24.22	277.21	23.58	263.35	22.21
	52	47	344.52	25.27	329.90	25.28	317.37	25.28	298.00	23.51	277.21	21.61	263.35	20.37
	57	52	352.62	24.95	339.16	24.85	318.79	23.10	298.00	21.35	277.21	19.66	263.35	18.55
	62	56	358.76	24.48	339.58	22.98	318.79	21.34	298.00	19.75	277.21	18.20	263.35	17.19
	67	61	360.37	22.40	339.58	20.89	318.79	19.43	298.00	18.00	277.21	16.61	263.35	15.71
	72	66	360.37	20.44	339.58	19.09	318.79	17.77	298.00	16.49	277.21	15.23	263.35	14.41
	75	69	360.37	19.27	339.58	18.01	318.79	16.78	298.00	15.58	277.21	14.41	263.35	13.64
	90%	-13	-13	201.24	57.92	200.83	58.63	200.44	59.29	200.12	60.14	199.06	60.62	197.50
-8		-9	217.51	60.16	217.07	60.77	216.65	61.34	216.29	62.11	215.15	62.50	213.49	64.75
-3		-4	233.40	61.06	232.93	61.55	232.48	62.02	232.09	62.68	231.43	62.96	227.97	65.24
2		1	249.56	61.02	249.13	61.36	248.66	61.72	248.21	62.27	242.96	62.42	235.95	64.71
7		6	264.97	60.57	264.23	60.59	261.71	60.60	258.85	60.61	247.53	60.63	237.01	60.64
12		10	278.19	55.86	277.61	55.87	273.90	55.88	266.97	55.89	249.49	55.91	237.01	55.91
17		15	285.82	51.88	284.32	51.89	279.37	51.90	268.20	51.91	249.49	51.92	237.01	51.92
22		20	290.98	48.49	289.35	48.50	282.34	48.51	268.20	48.52	249.49	48.52	237.01	48.53
27		24	298.81	44.89	294.49	44.89	286.91	44.90	268.20	44.90	249.49	44.91	237.01	44.91
32		29	306.25	40.12	297.60	40.12	286.91	40.13	268.20	40.13	249.49	40.14	237.01	40.14
37		34	302.83	34.75	288.67	34.75	274.87	34.76	259.62	34.76	249.49	33.46	237.01	31.50
42		38	311.36	29.61	296.79	29.62	282.61	29.62	267.62	28.68	249.49	26.34	237.01	24.82
47		43	315.45	25.48	301.30	25.48	286.91	24.35	268.20	22.50	249.49	20.70	237.01	19.53
52		47	319.75	25.01	305.62	24.03	286.91	22.31	268.20	20.64	249.49	19.01	237.01	17.95
57		52	324.33	23.23	305.62	21.66	286.91	20.14	268.20	18.65	249.49	17.21	237.01	16.26
62		56	324.33	21.46	305.62	20.03	286.91	18.64	268.20	17.28	249.49	15.96	237.01	15.09
67		61	324.33	19.53	305.62	18.25	286.91	17.00	268.20	15.78	249.49	14.59	237.01	13.82
72		66	324.33	17.86	305.62	16.71	286.91	15.58	268.20	14.48	249.49	13.41	237.01	12.71
75		69	324.33	16.86	305.62	15.79	286.91	14.73	268.20	13.70	249.49	12.70	237.01	12.04
80%		-13	-13	197.15	61.97	196.75	62.76	196.33	63.47	196.11	64.41	195.07	64.94	193.55
	-8	-9	213.44	64.43	212.36	65.10	211.25	65.73	210.34	66.58	208.73	67.00	204.51	69.47
	-3	-4	229.30	65.45	227.53	65.99	225.73	66.50	224.14	67.23	217.24	67.53	210.46	69.64
	2	1	240.36	65.46	238.01	65.84	235.65	66.24	233.33	66.83	221.77	67.01	210.68	68.38
	7	6	251.07	60.60	247.46	60.61	243.73	60.62	238.40	60.63	221.77	60.65	210.68	60.65
	12	10	261.07	55.88	255.61	55.89	248.97	55.90	238.40	55.91	221.77	55.92	210.68	55.93
	17	15	270.81	51.90	264.11	51.91	251.44	51.91	238.40	51.92	221.77	51.93	210.68	51.93
	22	20	278.54	48.51	264.99	48.52	251.64	48.52	238.40	48.53	221.77	48.54	210.68	48.54
	27	24	278.54	44.90	264.99	44.90	251.64	44.91	238.40	44.91	221.77	44.92	210.68	44.44
	32	29	278.54	40.13	264.99	40.13	251.64	40.14	238.40	40.14	221.77	37.45	210.68	35.27
	37	34	278.54	34.76	264.99	34.76	251.64	34.35	238.40	31.72	221.77	29.16	210.68	27.50
	42	38	278.54	29.62	264.99	29.12	251.64	27.03	238.40	24.99	221.77	23.01	210.68	21.72
	47	43	278.54	24.49	264.99	22.84	251.64	21.23	238.40	19.66	221.77	18.13	210.68	17.13
	52	47	278.54	22.44	264.99	20.95	251.64	19.49	238.40	18.07	221.77	16.69	210.68	15.78
	57	52	278.54	20.25	264.99	18.93	251.64	17.63	238.40	16.37	221.77	15.14	210.68	14.33
	62	56	278.54	18.74	264.99	17.53	251.64	16.35	238.40	15.19	221.77	14.06	210.68	13.33
	67	61	278.54	17.10	264.99	16.01	251.64	14.95	238.40	13.91	221.77	12.89	210.68	12.23
	72	66	278.54	15.67	264.99	14.69	251.64	13.73	238.40	12.79	221.77	11.87	210.68	11.27
	75	69	278.54	14.82	264.99	13.90	251.64	13.00	238.40	12.12	221.77	11.25	210.68	10.69

NOTE - Power Input = Compressor + Outdoor Fan Motor.  
 MBH = 1000 BTUs per hour.

# HEATING CAPACITY - THREE MODULE - VRA288L4

Combination (%)	Outdoor Temperature (°F)		Indoor Temperature - °F Dry Bulb											
			61		64		67		70		73		75	
	Dry Bulb	Wet Bulb	Total Cap. MBH	Power Input kW	Total Cap. MBH	Power Input kW	Total Cap. MBH	Power Input kW	Total Cap. MBH	Power Input kW	Total Cap. MBH	Power Input kW	Total Cap. MBH	Power Input kW
70%	-13	-13	209.51	64.39	209.14	64.41	208.74	64.44	208.60	64.46	194.05	64.49	184.34	64.50
	-8	-9	216.75	66.56	213.97	66.58	211.19	66.60	208.60	66.62	194.05	66.64	184.34	66.66
	-3	-4	223.20	67.22	218.27	67.23	213.37	67.25	208.60	67.27	194.05	67.29	184.34	67.30
	2	1	228.98	66.82	222.12	66.83	215.32	66.85	208.60	66.86	194.05	66.88	184.34	66.89
	7	6	234.18	60.62	225.59	60.63	217.08	60.65	208.60	60.66	194.05	60.67	184.34	60.67
	12	10	238.89	55.90	228.73	55.91	218.68	55.92	208.60	55.93	194.05	55.94	184.34	55.94
	17	15	243.04	51.91	231.45	51.92	220.08	51.93	208.60	51.94	194.05	51.94	184.34	51.95
	22	20	243.04	48.52	231.45	48.53	220.08	48.53	208.60	48.54	194.05	48.38	184.34	45.52
	27	24	243.04	44.91	231.45	44.91	220.08	44.92	208.60	43.92	194.05	40.33	184.34	38.00
	32	29	243.04	40.14	231.45	40.14	220.08	37.73	208.60	34.87	194.05	32.09	184.34	30.28
	37	34	243.04	33.91	231.45	31.61	220.08	29.37	208.60	27.19	194.05	25.07	184.34	23.69
	42	38	243.04	26.68	231.45	24.90	220.08	23.17	208.60	21.48	194.05	19.83	184.34	18.76
	47	43	243.04	20.96	231.45	19.59	220.08	18.25	208.60	16.95	194.05	15.67	184.34	14.84
	52	47	243.04	19.25	231.45	18.01	220.08	16.80	208.60	15.62	194.05	14.46	184.34	13.71
	57	52	243.04	17.42	231.45	16.32	220.08	15.24	208.60	14.19	194.05	13.16	184.34	12.48
	62	56	243.04	16.15	231.45	15.15	220.08	14.16	208.60	13.20	194.05	12.25	184.34	11.63
	67	61	243.04	14.77	231.45	13.86	220.08	12.98	208.60	12.11	194.05	11.26	184.34	10.70
72	66	243.04	13.57	231.45	12.75	220.08	11.95	208.60	11.16	194.05	10.39	184.34	9.88	
75	69	243.04	12.85	231.45	12.08	220.08	11.33	208.60	10.59	194.05	9.87	184.34	9.39	
60%	-13	-13	179.58	64.45	179.26	64.47	178.92	64.49	178.80	64.51	166.33	64.53	158.01	64.55
	-8	-9	185.21	66.61	183.02	66.63	180.82	66.65	178.80	66.66	166.33	66.68	158.01	66.69
	-3	-4	190.48	67.26	186.55	67.28	182.60	67.29	178.80	67.31	166.33	67.32	158.01	67.33
	2	1	195.42	66.86	189.85	66.87	184.28	66.88	178.80	66.89	166.33	66.90	158.01	66.91
	7	6	200.08	60.65	192.97	60.66	185.85	60.67	178.80	60.68	166.33	60.69	158.01	60.69
	12	10	204.46	55.93	195.90	55.93	187.33	55.94	178.80	55.95	166.33	55.95	158.01	55.96
	17	15	208.60	51.93	198.67	51.94	188.73	51.94	178.80	51.95	166.33	49.88	158.01	46.96
	22	20	212.98	48.54	201.34	48.54	191.27	47.56	178.80	43.92	166.33	40.39	158.01	38.09
	27	24	215.53	44.92	203.39	42.71	191.27	39.66	178.80	36.69	166.33	33.80	158.01	31.92
	32	29	216.22	36.36	203.54	33.93	191.27	31.57	178.80	29.26	166.33	27.02	158.01	25.55
	37	34	216.22	28.33	203.60	26.48	191.27	24.68	178.80	22.92	166.33	21.20	158.01	20.08
	42	38	216.22	22.36	203.65	20.93	191.27	19.53	178.80	18.16	166.33	16.82	158.01	15.94
	47	43	216.22	17.63	203.75	16.52	191.27	15.44	178.80	14.38	166.33	13.34	158.01	12.66
	52	47	216.22	16.24	203.75	15.23	191.27	14.25	178.80	13.28	166.33	12.34	158.01	11.72
	57	52	216.22	14.74	203.75	13.84	191.27	12.97	178.80	12.10	166.33	11.26	158.01	10.71
	62	56	216.22	13.70	203.75	12.88	191.27	12.08	178.80	11.29	166.33	10.51	158.01	10.00
	67	61	216.22	12.57	203.75	11.83	191.27	11.10	178.80	10.38	166.33	9.68	158.01	9.22
72	66	216.22	11.58	203.75	10.90	191.27	10.24	178.80	9.60	166.33	8.96	158.01	8.54	
75	69	216.22	10.98	203.75	10.35	191.27	9.73	178.80	9.12	166.33	8.52	158.01	8.13	
50%	-13	-13	149.83	64.51	149.65	64.53	149.24	64.55	149.00	64.57	138.60	64.59	131.67	64.60
	-8	-9	154.57	66.66	153.20	66.68	150.90	66.70	149.00	66.71	138.60	66.73	131.67	66.74
	-3	-4	159.21	67.30	156.66	67.32	153.09	67.33	149.00	67.35	138.60	67.36	131.67	67.37
	2	1	163.74	66.89	160.06	66.90	155.60	66.91	149.00	66.92	138.60	66.93	131.67	66.94
	7	6	168.17	60.68	163.37	60.68	157.98	60.69	149.00	60.70	138.60	60.71	131.67	60.71
	12	10	172.51	55.95	166.62	55.95	158.97	55.96	149.00	55.80	138.60	53.03	131.67	50.54
	17	15	176.75	51.95	169.79	51.46	159.40	49.18	149.00	45.44	138.60	41.81	131.67	39.45
	22	20	180.19	44.17	169.79	42.31	159.40	40.44	149.00	37.43	138.60	34.51	131.67	32.61
	27	24	180.19	36.91	169.79	35.29	159.40	33.65	149.00	31.20	138.60	28.81	131.67	27.26
	32	29	180.19	29.45	169.79	28.09	159.40	26.72	149.00	24.82	138.60	22.97	131.67	21.75
	37	34	180.19	23.07	169.79	21.93	159.40	20.80	149.00	19.36	138.60	17.95	131.67	17.03
	42	38	180.19	18.29	169.79	17.30	159.40	16.33	149.00	15.23	138.60	14.14	131.67	13.44
	47	43	180.19	14.49	169.79	13.62	159.40	12.77	149.00	11.94	138.60	11.12	131.67	10.58
	52	47	180.19	13.39	169.79	12.60	159.40	11.83	149.00	11.06	138.60	10.32	131.67	9.83
	57	52	180.19	12.20	169.79	11.49	159.40	10.80	149.00	10.12	138.60	9.45	131.67	9.01
	62	56	180.19	11.37	169.79	10.72	159.40	10.09	149.00	9.46	138.60	8.85	131.67	8.44
	67	61	180.19	10.46	169.79	9.88	159.40	9.30	149.00	8.74	138.60	8.18	131.67	7.81
72	66	180.19	9.67	169.79	9.14	159.40	8.61	149.00	8.10	138.60	7.59	131.67	7.26	
75	69	180.19	9.19	169.79	8.69	159.40	8.20	149.00	7.72	138.60	7.24	131.67	6.93	

NOTE - Power Input = Compressor + Outdoor Fan Motor.  
MBH = 1000 BTUs per hour.

## COOLING CAPACITY - THREE MODULE - VRA312L4

Combination (%)	Outdoor Temperature °F (Dry Bulb)	Indoor Temperature - °F (Dry Bulb / Wet Bulb)											
		67 / 57		71 / 60		75 / 63		80 / 67		85 / 71		90 / 75	
		Total Cap.	Power Input	Total Cap.	Power Input	Total Cap.	Power Input	Total Cap.	Power Input	Total Cap.	Power Input	Total Cap.	Power Input
		MBH	kW	MBH	kW	MBH	kW	MBH	kW	MBH	kW	MBH	kW
130%	25	256.51	11.28	298.20	13.32	340.06	15.45	395.98	17.16	427.81	18.80	438.05	19.79
	30	256.51	11.51	298.20	13.61	340.06	15.81	395.98	17.55	420.85	19.27	431.09	20.21
	35	256.51	11.78	298.20	13.95	340.06	16.22	395.98	17.99	414.02	19.75	424.26	20.74
	40	256.51	12.05	298.20	14.30	340.06	16.63	395.98	18.43	407.19	20.00	417.43	21.27
	45	256.51	12.37	298.20	14.67	340.06	17.05	389.64	18.87	400.37	20.25	410.61	21.44
	50	256.51	12.69	298.20	15.03	340.06	17.46	383.30	19.31	393.54	20.42	403.78	21.62
	55	256.51	12.99	298.20	15.41	340.06	17.93	376.23	19.86	386.83	20.79	397.44	21.79
	60	256.51	13.34	298.20	15.84	340.06	18.39	369.64	20.19	379.88	21.79	390.12	22.10
	65	256.51	13.85	298.20	16.67	339.57	19.76	357.94	21.09	368.55	22.48	379.15	22.97
	70	256.51	14.20	298.20	17.67	336.16	20.97	355.99	22.49	366.23	23.63	376.47	23.90
	75	256.51	15.59	298.20	19.39	331.61	22.51	349.16	23.92	359.40	24.19	369.64	24.46
	80	256.51	17.10	298.20	21.36	326.73	24.12	341.85	25.01	352.21	25.30	362.57	25.57
	85	256.51	18.71	298.20	23.35	322.18	25.76	335.02	26.40	345.50	26.75	355.99	27.05
	90	256.51	20.49	297.65	25.51	317.38	27.45	328.19	27.88	338.43	28.21	348.67	28.53
	95	256.51	22.37	293.81	27.13	311.45	28.93	321.85	29.25	331.61	29.63	333.56	29.68
	100	256.51	24.31	288.33	28.70	304.13	30.38	313.56	30.71	316.49	30.87	316.49	30.87
	105	256.51	26.74	283.08	30.56	295.84	32.00	299.75	32.16	299.75	32.23	299.75	32.23
	110	256.51	29.90	276.26	32.96	282.84	33.99	282.84	33.99	282.84	33.99	282.84	33.99
115	243.83	34.31	243.83	34.31	244.48	34.31	244.80	34.42	245.78	34.42	246.75	34.52	
118	209.69	31.28	209.69	31.28	210.25	31.28	210.53	31.37	211.37	31.37	212.21	31.47	
120%	25	237.00	10.31	275.77	12.19	314.05	14.10	364.77	16.82	413.74	18.43	431.23	19.40
	30	237.00	10.53	275.77	12.47	314.05	14.41	364.77	17.21	410.61	18.90	424.26	19.81
	35	237.00	10.75	275.77	12.77	314.05	14.77	364.77	17.64	405.97	19.36	417.43	20.33
	40	237.00	10.97	275.77	13.07	314.05	15.13	364.77	18.07	401.34	19.61	410.61	20.85
	45	237.00	11.29	275.77	13.39	314.05	15.52	364.77	18.50	394.03	19.86	403.78	21.02
	50	237.00	11.62	275.77	13.71	314.05	15.92	364.77	18.93	386.71	20.02	396.95	21.19
	55	237.00	11.88	275.77	14.08	314.05	16.34	364.77	19.47	380.37	20.38	389.88	21.37
	60	237.00	12.15	275.77	14.45	314.05	16.80	362.82	19.79	373.30	21.36	383.30	21.67
	65	237.00	12.66	275.77	15.06	314.05	17.71	354.28	20.68	362.57	22.04	371.59	22.52
	70	237.00	12.80	275.77	15.78	314.05	19.00	350.14	22.05	359.40	23.17	369.64	23.43
	75	237.00	13.98	275.77	17.29	314.05	20.90	343.31	23.45	352.57	23.72	362.82	23.98
	80	237.00	15.33	275.77	18.96	313.73	22.91	336.24	24.82	346.24	25.09	355.50	25.36
	85	237.00	16.72	275.77	20.76	311.12	24.72	329.66	26.24	338.92	26.54	348.67	26.83
	90	237.00	18.28	275.77	22.72	306.57	26.37	322.34	27.67	332.34	27.99	341.85	28.31
	95	237.00	19.90	275.77	24.82	301.70	28.04	316.00	29.15	325.27	29.42	333.56	29.68
	100	237.00	21.67	275.77	27.10	297.47	29.82	308.69	30.52	315.39	30.83	316.49	30.87
	105	237.00	23.80	274.31	29.64	292.16	31.82	299.10	32.12	299.75	32.23	299.75	32.23
	110	237.00	26.57	269.92	32.05	282.19	33.95	282.84	33.99	282.84	33.99	282.84	33.99
115	237.00	29.58	242.12	33.13	244.48	34.31	244.80	34.42	245.78	34.42	246.75	34.52	
118	209.69	27.74	209.69	30.41	210.25	31.28	210.53	31.37	211.37	31.37	212.21	31.47	
110%	25	217.49	9.39	252.61	11.05	287.72	12.77	334.53	15.18	381.35	17.68	423.70	19.02
	30	217.49	9.59	252.61	11.27	287.72	13.05	334.53	15.49	381.35	18.07	417.43	19.42
	35	217.49	9.81	252.61	11.57	287.72	13.37	334.53	15.92	381.35	18.53	410.12	19.93
	40	217.49	10.03	252.61	11.87	287.72	13.69	334.53	16.35	381.35	18.98	402.80	20.44
	45	217.49	10.27	252.61	12.13	287.72	14.04	334.53	16.72	378.91	19.22	395.98	20.61
	50	217.49	10.51	252.61	12.39	287.72	14.38	334.53	17.10	376.47	19.47	389.15	20.78
	55	217.49	10.78	252.61	12.76	287.72	14.78	334.53	17.61	372.57	19.63	382.81	20.95
	60	217.49	11.08	252.61	13.09	287.72	15.16	334.53	18.07	366.96	19.98	375.49	21.24
	65	217.49	11.51	252.61	13.59	287.72	15.82	334.53	19.33	355.87	20.95	364.52	22.08
	70	217.49	11.62	252.61	14.04	287.72	16.71	334.53	20.86	353.06	22.10	361.84	23.26
	75	217.49	12.48	252.61	15.30	287.72	18.39	334.53	23.02	346.24	23.50	355.01	24.73
	80	217.49	13.58	252.61	16.78	287.72	20.20	330.39	24.68	339.53	24.95	347.94	26.06
	85	217.49	14.84	252.61	18.35	287.72	22.14	323.80	26.08	332.58	26.35	341.36	26.62
	90	217.49	16.19	252.61	20.06	287.72	24.23	316.49	27.48	325.63	27.79	334.78	28.10
	95	217.49	17.64	252.61	21.83	287.72	26.46	310.15	28.93	318.93	29.20	327.70	29.47
	100	217.49	19.25	252.61	23.87	285.60	28.53	303.08	30.30	311.25	30.65	316.49	30.87
	105	217.49	21.08	252.61	26.27	281.43	30.56	296.17	32.05	299.58	32.21	299.75	32.23
	110	217.49	23.45	252.61	29.25	276.66	33.05	282.84	33.99	282.84	33.99	282.84	33.99
115	217.49	26.13	237.24	32.27	244.48	34.31	244.80	34.42	245.78	34.42	246.75	34.52	
118	209.69	26.71	209.69	30.23	210.25	31.28	210.53	31.37	211.37	31.37	212.21	31.47	

NOTE - Power Input = Compressor + Outdoor Fan Motor.  
MBH = 1000 BTUs per hour.

## COOLING CAPACITY - THREE MODULE - VRA312L4

Combination (%)	Outdoor Temperature °F (Dry Bulb)	Indoor Temperature - °F (Dry Bulb / Wet Bulb)											
		67 / 57		71 / 60		75 / 63		80 / 67		85 / 71		90 / 75	
		Total Cap.	Power Input	Total Cap.	Power Input	Total Cap.	Power Input	Total Cap.	Power Input	Total Cap.	Power Input	Total Cap.	Power Input
		MBH	kW	MBH	kW	MBH	kW	MBH	kW	MBH	kW	MBH	kW
100%	25	197.01	8.51	229.20	9.97	261.38	11.51	298.00	13.57	347.21	15.84	390.12	18.11
	30	197.01	8.69	229.20	10.19	261.38	11.74	298.00	13.87	347.21	16.19	390.12	18.50
	35	197.01	8.88	229.20	10.42	261.38	12.03	298.00	14.25	347.21	16.59	390.12	18.98
	40	197.01	9.07	229.20	10.66	261.38	12.33	298.00	14.63	347.21	16.99	390.12	19.47
	45	197.01	9.28	229.20	10.91	261.38	12.64	298.00	15.00	347.21	17.42	386.22	19.63
	50	197.01	9.49	229.20	11.16	261.38	12.94	298.00	15.38	347.21	17.85	382.32	19.79
	55	197.01	9.72	229.20	11.44	261.38	13.24	298.00	15.78	347.21	18.38	375.25	19.95
	60	197.01	9.96	229.20	11.77	261.38	13.62	298.00	16.19	347.21	18.85	368.67	20.23
	65	197.01	10.37	229.20	12.25	261.38	14.22	298.00	16.91	345.75	20.17	356.96	21.03
	70	197.01	10.49	229.20	12.38	261.38	14.59	298.00	18.07	342.33	21.51	355.01	22.16
	75	197.01	10.97	229.20	13.39	261.38	16.06	298.00	19.90	338.92	23.28	348.19	23.55
	80	197.01	12.05	229.20	14.69	261.38	17.61	298.00	21.91	333.07	24.76	340.87	25.01
	85	197.01	13.12	229.20	16.07	261.38	19.27	298.00	23.98	326.00	26.19	334.04	26.40
	90	197.01	14.28	229.20	17.52	261.38	21.06	298.00	26.30	319.29	27.57	327.22	27.80
	95	197.01	15.49	229.20	19.12	261.38	22.98	298.00	28.10	312.10	28.99	319.90	29.25
	100	197.01	16.86	229.20	20.79	261.38	25.10	297.23	30.09	305.76	30.41	312.83	30.71
	105	197.01	18.53	229.20	22.86	261.38	27.60	290.32	31.84	297.79	32.12	299.75	32.23
	110	197.01	20.54	229.20	25.46	261.38	30.76	282.84	33.99	282.84	33.99	282.84	33.99
115	197.01	22.80	229.20	28.37	243.18	32.95	244.80	34.42	245.78	34.42	246.75	34.52	
118	197.01	24.17	201.69	26.46	210.25	30.19	210.53	31.37	211.37	31.37	212.21	31.47	
90%	25	177.51	7.65	206.77	8.92	235.38	10.25	274.06	12.06	312.10	14.05	351.11	16.07
	30	177.51	7.81	206.77	9.11	235.38	10.49	274.06	12.37	312.10	14.36	351.11	16.46
	35	177.51	7.97	206.77	9.31	235.38	10.71	274.06	12.64	312.10	14.71	351.11	16.83
	40	177.51	8.14	206.77	9.52	235.38	10.93	274.06	12.91	312.10	15.06	351.11	17.21
	45	177.51	8.32	206.77	9.74	235.38	11.22	274.06	13.28	312.10	15.43	351.11	17.64
	50	177.51	8.51	206.77	9.97	235.38	11.52	274.06	13.66	312.10	15.81	351.11	18.07
	55	177.51	8.71	206.77	10.21	235.38	11.78	274.06	13.95	312.10	16.27	351.11	18.61
	60	177.51	8.92	206.77	10.46	235.38	12.08	274.06	14.36	312.10	16.67	351.11	19.09
	65	177.51	9.27	206.77	10.87	235.38	12.60	274.06	15.00	312.10	17.52	351.11	20.54
	70	177.51	9.37	206.77	11.05	235.38	12.76	274.06	15.59	312.10	18.82	347.21	22.05
	75	177.51	9.63	206.77	11.68	235.38	13.87	274.06	17.10	312.10	20.70	340.38	23.34
	80	177.51	10.51	206.77	12.73	235.38	15.16	274.06	18.74	312.10	22.75	333.31	24.79
	85	177.51	11.45	206.77	13.91	235.38	16.60	274.06	20.54	311.37	24.82	326.73	26.19
	90	177.51	12.48	206.77	15.18	235.38	18.12	274.06	22.51	308.44	26.77	320.15	27.59
	95	177.51	13.55	206.77	16.54	235.38	19.75	274.06	24.52	304.78	28.66	313.07	29.04
	100	177.51	14.65	206.77	17.96	235.38	21.54	274.06	26.81	298.93	30.18	306.00	30.41
	105	177.51	16.10	206.77	19.75	235.38	23.70	274.06	29.47	291.94	31.89	298.45	32.16
	110	177.51	17.85	206.77	21.97	235.38	26.35	274.06	32.91	282.84	33.99	282.84	33.99
115	177.51	19.79	206.77	24.39	235.38	31.51	244.80	34.42	245.78	34.42	246.75	34.52	
118	177.51	20.98	201.69	25.22	204.78	29.06	210.53	31.37	211.37	31.37	212.21	31.47	
80%	25	158.00	6.84	183.60	7.92	209.04	9.04	243.83	10.62	277.48	12.28	312.10	14.00
	30	158.00	6.97	183.60	8.07	209.04	9.23	243.83	10.86	277.48	12.58	312.10	14.30
	35	158.00	7.11	183.60	8.25	209.04	9.44	243.83	11.13	277.48	12.88	312.10	14.68
	40	158.00	7.25	183.60	8.43	209.04	9.64	243.83	11.40	277.48	13.18	312.10	15.06
	45	158.00	7.40	183.60	8.62	209.04	9.87	243.83	11.67	277.48	13.50	312.10	15.43
	50	158.00	7.56	183.60	8.81	209.04	10.10	243.83	11.94	277.48	13.82	312.10	15.81
	55	158.00	7.74	183.60	9.02	209.04	10.35	243.83	12.21	277.48	14.21	312.10	16.21
	60	158.00	7.91	183.60	9.24	209.04	10.61	243.83	12.53	277.48	14.57	312.10	16.67
	65	158.00	8.21	183.60	9.60	209.04	11.03	243.83	13.09	277.48	15.22	312.10	17.53
	70	158.00	8.30	183.60	9.71	209.04	11.21	243.83	13.23	277.48	15.86	312.10	18.71
	75	158.00	8.51	183.60	10.09	209.04	11.86	243.83	14.52	277.48	17.42	312.10	20.65
	80	158.00	9.13	183.60	10.99	209.04	13.00	243.83	15.89	277.48	19.13	312.10	22.69
	85	158.00	9.92	183.60	12.00	209.04	14.16	243.83	17.37	277.48	20.97	312.10	24.90
	90	158.00	10.79	183.60	13.02	209.04	15.43	243.83	18.93	277.48	22.94	311.37	27.18
	95	158.00	11.72	183.60	14.14	209.04	16.81	243.83	20.65	277.48	25.01	305.27	28.72
	100	158.00	12.66	183.60	15.39	209.04	18.27	243.83	22.56	277.48	27.33	298.93	30.17
	105	158.00	13.80	183.60	16.81	209.04	20.04	243.83	24.77	277.48	30.11	291.94	31.84
	110	158.00	15.38	183.60	18.69	209.04	22.30	243.83	27.64	274.55	32.96	282.84	33.99
115	158.00	16.99	183.60	20.70	209.04	24.74	243.83	30.76	245.78	34.42	246.75	34.52	
118	158.00	18.01	183.60	21.95	204.78	25.69	210.53	28.15	211.37	31.37	212.21	31.47	

NOTE - Power Input = Compressor + Outdoor Fan Motor.  
MBH = 1000 BTUs per hour.

## COOLING CAPACITY - THREE MODULE - VRA312L4

Combination (%)	Outdoor Temperature °F (Dry Bulb)	Indoor Temperature - °F (Dry Bulb / Wet Bulb)											
		67 / 57		71 / 60		75 / 63		80 / 67		85 / 71		90 / 75	
		Total Cap.	Power Input	Total Cap.	Power Input	Total Cap.	Power Input	Total Cap.	Power Input	Total Cap.	Power Input	Total Cap.	Power Input
		MBH	kW	MBH	kW	MBH	kW	MBH	kW	MBH	kW	MBH	kW
70%	25	138.49	6.07	160.44	6.96	182.71	7.89	212.62	9.20	242.85	10.59	273.09	12.03
	30	138.49	6.17	160.44	7.09	182.71	8.05	212.62	9.40	242.85	10.82	273.09	12.26
	35	138.49	6.29	160.44	7.24	182.71	8.22	212.62	9.61	242.85	11.08	273.09	12.58
	40	138.49	6.41	160.44	7.38	182.71	8.40	212.62	9.82	242.85	11.35	273.09	12.91
	45	138.49	6.54	160.44	7.54	182.71	8.59	212.62	10.06	242.85	11.62	273.09	13.23
	50	138.49	6.67	160.44	7.70	182.71	8.78	212.62	10.29	242.85	11.88	273.09	13.55
	55	138.49	6.81	160.44	7.88	182.71	8.98	212.62	10.55	242.85	12.21	273.09	13.93
	60	138.49	6.95	160.44	8.06	182.71	9.20	212.62	10.84	242.85	12.50	273.09	14.25
	65	138.49	7.20	160.44	8.36	182.71	9.57	212.62	11.33	242.85	13.04	273.09	14.90
	70	138.49	7.27	160.44	8.45	182.71	9.67	212.62	11.40	242.85	13.23	273.09	15.49
	75	138.49	7.45	160.44	8.67	182.71	10.02	212.62	12.15	242.85	14.47	273.09	16.99
	80	138.49	7.83	160.44	9.33	182.71	10.93	212.62	13.26	242.85	15.88	273.09	18.63
	85	138.49	8.50	160.44	10.16	182.71	11.89	212.62	14.47	242.85	17.34	273.09	20.43
	90	138.49	9.21	160.44	11.03	182.71	12.97	212.62	15.76	242.85	18.93	273.09	22.32
	95	138.49	9.97	160.44	11.93	182.71	14.09	212.62	17.21	242.85	20.60	273.09	24.41
	100	138.49	10.78	160.44	12.94	182.71	15.27	212.62	18.71	242.85	22.49	273.09	26.62
	105	138.49	11.79	160.44	14.16	182.71	16.72	212.62	20.54	242.85	24.70	273.09	29.36
	110	138.49	13.01	160.44	15.68	182.71	18.57	212.62	22.80	242.85	27.59	273.09	32.70
115	138.49	14.41	160.44	17.40	182.71	20.61	212.62	25.38	240.41	31.84	246.75	34.52	
118	138.49	15.28	160.44	18.44	182.71	21.85	191.36	24.21	211.37	29.67	212.21	31.47	
60%	25	118.01	5.33	137.76	6.05	156.70	6.81	182.38	7.86	208.23	8.99	234.07	10.16
	30	118.01	5.41	137.76	6.16	156.70	6.93	182.38	8.02	208.23	9.18	234.07	10.38
	35	118.01	5.51	137.76	6.28	156.70	7.08	182.38	8.20	208.23	9.39	234.07	10.62
	40	118.01	5.60	137.76	6.39	156.70	7.22	182.38	8.37	208.23	9.59	234.07	10.86
	45	118.01	5.71	137.76	6.52	156.70	7.37	182.38	8.56	208.23	9.82	234.07	11.13
	50	118.01	5.82	137.76	6.65	156.70	7.52	182.38	8.74	208.23	10.05	234.07	11.40
	55	118.01	5.93	137.76	6.79	156.70	7.69	182.38	8.95	208.23	10.29	234.07	11.67
	60	118.01	6.05	137.76	6.94	156.70	7.87	182.38	9.17	208.23	10.53	234.07	11.99
	65	118.01	6.24	137.76	7.18	156.70	8.16	182.38	9.53	208.23	11.00	234.07	12.56
	70	118.01	6.30	137.76	7.25	156.70	8.25	182.38	9.64	208.23	11.12	234.07	12.69
	75	118.01	6.45	137.76	7.44	156.70	8.46	182.38	9.96	208.23	11.78	234.07	13.77
	80	118.01	6.67	137.76	7.82	156.70	9.06	182.38	10.86	208.23	12.87	234.07	15.00
	85	118.01	7.21	137.76	8.49	156.70	9.86	182.38	11.83	208.23	14.06	234.07	16.40
	90	118.01	7.79	137.76	9.20	156.70	10.70	182.38	12.91	208.23	15.34	234.07	17.96
	95	118.01	8.41	137.76	9.95	156.70	11.59	182.38	13.98	208.23	16.62	234.07	19.57
	100	118.01	9.08	137.76	10.78	156.70	12.60	182.38	15.19	208.23	18.16	234.07	21.32
	105	118.01	9.88	137.76	11.72	156.70	13.74	182.38	16.63	208.23	19.91	234.07	23.37
	110	118.01	10.86	137.76	12.96	156.70	15.24	182.38	18.50	208.23	22.16	234.07	26.03
115	118.01	12.05	137.76	14.38	156.70	16.89	182.38	20.54	208.23	24.58	234.07	29.04	
118	118.01	12.77	137.76	15.25	156.70	17.90	182.38	21.77	191.57	23.97	212.21	27.91	
50%	25	97.53	4.58	115.09	5.14	130.69	5.72	152.15	6.52	173.61	7.38	195.06	8.30
	30	97.53	4.65	115.09	5.23	130.69	5.81	152.15	6.65	173.61	7.54	195.06	8.50
	35	97.53	4.72	115.09	5.32	130.69	5.93	152.15	6.78	173.61	7.69	195.06	8.66
	40	97.53	4.80	115.09	5.41	130.69	6.04	152.15	6.92	173.61	7.84	195.06	8.82
	45	97.53	4.88	115.09	5.50	130.69	6.15	152.15	7.06	173.61	8.02	195.06	9.03
	50	97.53	4.97	115.09	5.60	130.69	6.27	152.15	7.20	173.61	8.21	195.06	9.25
	55	97.53	5.05	115.09	5.70	130.69	6.40	152.15	7.35	173.61	8.37	195.06	9.41
	60	97.53	5.15	115.09	5.82	130.69	6.53	152.15	7.50	173.61	8.56	195.06	9.73
	65	97.53	5.29	115.09	6.00	130.69	6.75	152.15	7.74	173.61	8.95	195.06	10.22
	70	97.53	5.33	115.09	6.06	130.69	6.82	152.15	7.87	173.61	9.01	195.06	9.89
	75	97.53	5.45	115.09	6.20	130.69	6.90	152.15	7.77	173.61	9.09	195.06	10.54
	80	97.53	5.51	115.09	6.32	130.69	7.19	152.15	8.46	173.61	9.85	195.06	11.37
	85	97.53	5.91	115.09	6.82	130.69	7.82	152.15	9.20	173.61	10.78	195.06	12.37
	90	97.53	6.36	115.09	7.36	130.69	8.43	152.15	10.06	173.61	11.75	195.06	13.61
	95	97.53	6.85	115.09	7.97	130.69	9.09	152.15	10.76	173.61	12.64	195.06	14.73
	100	97.53	7.37	115.09	8.62	130.69	9.93	152.15	11.67	173.61	13.83	195.06	16.03
	105	97.53	7.96	115.09	9.28	130.69	10.77	152.15	12.73	173.61	15.13	195.06	17.39
	110	97.53	8.71	115.09	10.24	130.69	11.90	152.15	14.20	173.61	16.72	195.06	19.36
115	97.53	9.68	115.09	11.37	130.69	13.16	152.15	15.70	173.61	17.32	195.06	23.55	
118	97.53	10.26	115.09	12.06	130.69	13.95	152.15	16.64	173.61	18.35	195.06	24.97	

NOTE - Power Input = Compressor + Outdoor Fan Motor.  
MBH = 1000 BTUs per hour.



# HEATING CAPACITY - THREE MODULE - VRA312L4

Combination (%)	Outdoor Temperature (°F)		Indoor Temperature - °F Dry Bulb											
			61		64		67		70		73		75	
	Dry Bulb	Wet Bulb	Total Cap. MBH	Power Input kW	Total Cap. MBH	Power Input kW	Total Cap. MBH	Power Input kW	Total Cap. MBH	Power Input kW	Total Cap. MBH	Power Input kW	Total Cap. MBH	Power Input kW
130%	-13	-13	221.24	45.46	220.46	47.23	219.93	48.76	219.31	50.32	218.58	51.81	218.23	52.71
	-8	-9	238.92	49.37	238.07	50.92	237.50	52.29	236.83	53.64	236.04	54.92	235.66	55.71
	-3	-4	256.12	52.13	255.21	53.38	254.60	54.51	253.88	55.60	253.03	56.60	252.63	57.24
	2	1	274.56	54.22	273.64	55.12	272.75	55.98	271.97	56.77	271.26	57.46	270.76	57.93
	7	6	292.86	55.15	291.92	55.77	290.91	56.32	290.33	56.83	289.38	57.26	288.84	57.55
	12	10	311.28	54.68	310.34	54.99	309.29	55.26	308.69	55.46	307.78	55.67	307.19	55.79
	17	15	327.76	54.26	326.81	54.27	326.20	54.29	325.24	54.30	324.44	54.31	323.75	54.32
	22	20	332.31	51.68	331.41	51.69	330.82	51.70	329.69	51.71	329.14	51.72	328.49	51.73
	27	24	336.09	47.94	334.47	47.95	333.66	47.96	333.40	47.97	332.29	47.98	330.85	47.99
	32	29	337.08	42.92	336.00	42.93	335.00	42.93	334.38	42.94	333.70	42.95	332.74	42.96
	37	34	316.08	37.29	315.28	37.29	314.31	37.30	313.74	37.31	313.45	37.31	313.31	37.32
	42	38	345.15	31.74	344.50	31.74	343.41	31.75	334.83	31.75	332.51	31.76	330.09	31.76
	47	43	372.79	27.31	365.01	27.32	356.54	27.32	348.07	27.32	339.61	27.33	335.63	27.33
	52	47	387.65	26.89	379.18	26.90	370.72	26.90	362.25	26.90	353.78	26.91	348.14	26.91
	57	52	405.37	26.37	396.90	26.37	388.43	26.37	379.97	26.38	371.50	26.38	365.82	26.38
	62	56	419.54	25.95	411.07	25.95	402.61	25.95	394.14	25.96	385.15	25.90	367.63	24.55
	67	61	437.26	25.42	428.79	25.42	420.33	25.43	411.86	25.43	386.98	23.72	367.63	22.34
	72	66	454.98	24.90	446.51	24.90	438.05	24.90	416.00	23.58	386.98	21.67	367.63	20.43
75	69	465.61	24.58	457.14	24.58	448.68	24.58	418.48	22.48	386.98	20.44	367.63	19.28	
120%	-13	-13	220.23	48.57	219.56	49.80	218.93	51.09	218.43	52.31	217.82	53.48	217.41	54.17
	-8	-9	237.83	52.11	237.10	53.20	236.42	54.33	235.87	55.39	235.22	56.39	234.78	56.99
	-3	-4	254.95	54.35	254.17	55.27	253.44	56.17	252.86	57.04	252.15	57.81	251.69	58.29
	2	1	273.12	55.84	272.32	56.55	271.58	57.21	270.99	57.85	270.04	58.38	269.57	58.74
	7	6	291.23	56.25	290.42	56.73	289.67	57.14	289.07	57.57	288.11	57.90	287.64	58.14
	12	10	309.59	55.21	308.78	55.43	308.03	55.61	307.43	55.86	306.64	55.98	305.98	56.09
	17	15	326.26	54.28	325.45	54.29	324.71	54.30	323.75	54.31	323.15	54.33	322.68	54.34
	22	20	330.88	51.69	330.11	51.70	329.40	51.71	328.49	51.72	327.91	51.73	327.46	51.74
	27	24	332.88	47.95	332.88	47.96	332.88	47.97	332.88	47.98	329.66	47.99	329.66	48.00
	32	29	335.10	42.93	334.19	42.94	333.89	42.94	333.89	42.95	332.07	42.96	332.07	42.96
	37	34	314.86	37.30	313.86	37.30	313.53	37.31	313.53	37.31	300.08	37.32	296.43	37.32
	42	38	329.10	31.75	326.96	31.75	325.37	31.76	325.37	31.76	317.47	31.76	311.15	31.77
	47	43	359.31	27.32	351.56	27.32	346.55	27.32	338.74	27.33	330.92	27.33	325.71	27.33
	52	47	376.39	26.90	368.57	26.90	360.74	26.90	352.91	26.91	345.09	26.91	339.35	26.91
	57	52	394.15	26.37	386.31	26.38	378.47	26.38	370.63	26.38	357.21	25.83	339.35	24.31
	62	56	407.42	25.80	399.15	25.80	391.33	25.80	383.51	25.80	357.21	23.77	339.35	22.39
	67	61	424.56	25.19	415.97	25.19	408.15	25.19	384.00	23.51	357.21	21.60	339.35	20.37
	72	66	440.89	24.62	433.08	24.62	410.79	23.24	384.00	21.48	357.21	19.76	339.35	18.65
75	69	451.16	24.29	443.34	24.29	412.37	22.07	384.00	20.26	357.21	18.66	339.35	17.62	
110%	-13	-13	219.22	50.76	218.63	51.87	218.02	52.93	217.41	53.98	216.91	54.86	216.51	55.37
	-8	-9	236.74	54.04	236.09	55.01	235.44	55.93	234.78	56.84	234.24	57.58	233.81	57.98
	-3	-4	253.78	55.93	253.09	56.71	252.39	57.45	251.69	58.20	251.11	58.76	250.64	59.02
	2	1	271.70	57.03	271.17	57.60	270.52	58.14	269.76	58.70	269.04	59.07	268.69	59.19
	7	6	289.79	57.02	289.25	57.38	288.59	57.75	288.00	58.11	287.11	58.30	286.78	58.33
	12	10	308.15	55.55	307.61	55.74	306.94	55.93	306.34	56.07	305.64	56.14	305.16	56.08
	17	15	322.79	54.30	321.99	54.31	321.49	54.32	322.68	54.33	322.08	54.34	311.07	54.35
	22	20	329.51	51.71	327.11	51.72	326.63	51.73	324.22	51.74	323.65	51.75	311.07	51.75
	27	24	337.82	47.97	335.52	47.98	334.01	47.98	326.40	47.99	326.40	48.00	311.07	48.01
	32	29	338.87	42.94	338.21	42.95	336.98	42.95	330.42	42.96	327.21	42.97	311.07	42.97
	37	34	313.53	37.31	313.53	37.31	313.53	37.32	310.86	37.32	297.96	37.33	288.18	37.33
	42	38	332.39	31.75	332.39	31.76	327.08	31.76	315.93	31.77	308.68	31.77	297.66	31.77
	47	43	350.90	27.32	344.37	27.33	337.19	27.33	329.41	27.33	322.24	27.34	311.07	26.42
	52	47	365.10	26.90	361.51	26.91	351.40	26.91	343.58	26.91	327.44	25.79	311.07	24.28
	57	52	381.69	26.24	374.53	26.24	367.37	26.24	352.00	25.25	327.44	23.20	311.07	21.86
	62	56	395.38	25.77	388.22	25.77	376.56	25.27	352.00	23.33	327.44	21.46	311.07	20.24
	67	61	412.49	25.19	401.12	24.76	376.56	22.98	352.00	21.25	327.44	19.56	311.07	18.47
	72	66	425.67	24.25	401.12	22.60	376.56	21.00	352.00	19.44	327.44	17.92	311.07	16.93
75	69	433.58	23.69	401.12	21.31	376.56	19.81	352.00	18.36	327.44	16.94	311.07	16.01	

NOTE - Power Input = Compressor + Outdoor Fan Motor.  
MBH = 1000 BTUs per hour.

# HEATING CAPACITY - THREE MODULE - VRA312L4

Combination (%)	Outdoor Temperature (°F)		Indoor Temperature - °F Dry Bulb											
			61		64		67		70		73		75	
	Dry Bulb	Wet Bulb	Total Cap. MBH	Power Input kW	Total Cap. MBH	Power Input kW	Total Cap. MBH	Power Input kW	Total Cap. MBH	Power Input kW	Total Cap. MBH	Power Input kW	Total Cap. MBH	Power Input kW
100%	-13	-13	218.32	52.81	217.75	53.79	217.34	54.69	216.51	55.79	216.20	56.54	215.98	59.37
	-8	-9	235.76	55.84	235.15	56.67	234.71	57.44	233.81	58.45	233.48	59.06	233.24	62.01
	-3	-4	252.74	57.40	252.08	58.05	251.61	58.66	250.64	59.54	250.29	59.98	250.04	62.98
	2	1	270.50	58.13	269.77	58.58	269.37	59.01	268.69	59.74	267.98	60.01	267.82	63.01
	7	6	288.80	57.75	287.86	58.04	287.39	58.32	286.78	58.88	285.98	59.00	280.68	61.95
	12	10	307.11	55.96	306.59	56.09	305.89	56.22	305.16	56.58	297.67	56.53	282.79	59.36
	17	15	321.70	54.31	321.37	54.32	320.57	54.33	320.00	54.34	297.67	54.36	282.79	54.36
	22	20	325.83	51.72	325.51	51.73	323.74	51.74	320.00	51.75	297.67	51.50	282.79	51.34
	27	24	327.13	47.98	325.83	47.99	325.24	48.00	320.00	48.00	297.67	47.53	282.79	47.23
	32	29	331.49	42.95	329.16	42.96	327.43	42.96	320.00	42.97	297.67	42.32	282.79	41.91
	37	34	305.25	37.32	303.20	37.32	297.87	37.33	288.18	37.33	274.03	36.56	263.67	36.06
	42	38	333.21	31.76	325.13	31.77	316.82	31.77	302.35	31.77	285.55	30.94	274.36	29.38
	<b>47</b>	<b>43</b>	<b>356.32</b>	<b>27.31</b>	<b>342.61</b>	<b>27.32</b>	<b>329.85</b>	<b>27.32</b>	<b>320.00</b>	<b>27.31</b>	297.67	25.07	282.79	23.62
	52	47	370.47	26.85	354.22	26.86	340.76	26.86	320.00	24.98	297.67	22.96	282.79	21.65
	57	52	378.93	26.45	364.17	26.35	342.33	24.50	320.00	22.65	297.67	20.85	282.79	19.68
	62	56	385.15	25.97	364.65	24.39	342.33	22.65	320.00	20.96	297.67	19.31	282.79	18.24
	67	61	386.98	23.79	364.65	22.19	342.33	20.63	320.00	19.12	297.67	17.64	282.79	16.68
	72	66	386.98	21.73	364.65	20.29	342.33	18.89	320.00	17.52	297.67	16.19	282.79	15.32
	75	69	386.98	20.49	364.65	19.15	342.33	17.84	320.00	16.56	297.67	15.32	282.79	14.50
	90%	-13	-13	213.47	58.20	213.03	59.22	212.61	60.15	212.18	61.37	211.72	62.05	211.40
-8		-9	230.53	61.50	230.04	62.37	229.60	63.19	229.13	64.30	228.63	64.84	228.28	68.08
-3		-4	247.12	63.18	246.61	63.87	246.13	64.54	245.63	65.49	245.10	65.88	244.72	69.17
2		1	263.10	63.94	262.58	64.43	262.07	64.94	261.55	65.72	260.91	65.93	253.46	69.23
7		6	281.39	64.44	280.56	64.46	277.79	64.47	276.29	64.49	265.97	64.50	254.51	64.51
12		10	296.89	59.14	296.36	59.15	293.01	59.16	286.78	59.18	267.91	59.19	254.51	59.20
17		15	302.26	55.42	300.69	55.43	297.19	55.44	288.00	55.45	267.91	55.46	254.51	55.46
22		20	306.50	51.74	304.96	51.75	301.49	51.75	288.00	51.76	267.91	51.77	254.51	51.78
27		24	313.93	47.99	312.24	48.00	308.09	48.01	288.00	48.01	267.91	48.02	254.51	48.02
32		29	324.15	42.96	316.59	42.97	308.09	42.97	288.00	42.98	267.91	42.98	254.51	42.99
37		34	324.21	37.32	309.15	37.33	294.56	37.33	278.88	37.34	267.91	35.94	254.51	33.84
42		38	334.15	31.77	318.62	31.77	303.59	31.77	287.42	30.76	267.91	28.25	254.51	26.62
47		43	338.17	27.33	323.05	27.34	308.09	26.12	288.00	24.13	267.91	22.20	254.51	20.95
52		47	342.64	26.85	328.19	25.79	308.09	23.95	288.00	22.15	267.91	20.40	254.51	19.27
57		52	348.28	24.94	328.19	23.26	308.09	21.63	288.00	20.03	267.91	18.48	254.51	17.47
62		56	348.28	23.05	328.19	21.52	308.09	20.02	288.00	18.57	267.91	17.15	254.51	16.22
67		61	348.28	21.00	328.19	19.62	308.09	18.28	288.00	16.97	267.91	15.69	254.51	14.85
72		66	348.28	19.22	328.19	17.98	308.09	16.76	288.00	15.58	267.91	14.42	254.51	13.67
75		69	348.28	18.15	328.19	16.99	308.09	15.86	288.00	14.75	267.91	13.66	254.51	12.96
80%		-13	-13	209.10	64.02	208.67	65.14	208.20	66.17	207.94	67.51	207.48	68.26	207.16
	-8	-9	225.81	67.65	225.34	68.61	224.83	69.51	224.55	70.73	224.06	71.33	220.13	74.89
	-3	-4	241.23	69.50	240.72	70.26	240.19	70.99	239.88	72.04	233.67	72.47	226.02	75.30
	2	1	252.51	70.33	252.00	70.87	251.50	71.43	250.99	72.29	238.14	72.53	226.23	73.93
	7	6	265.63	64.47	263.60	64.48	261.40	64.50	256.00	64.51	238.14	64.52	226.23	64.53
	12	10	276.95	59.16	273.15	59.17	268.01	59.18	256.00	59.19	238.14	59.21	226.23	59.21
	17	15	288.23	55.44	283.72	55.44	270.02	55.45	256.00	55.46	238.14	55.47	226.23	55.48
	22	20	299.26	51.75	284.59	51.76	270.22	51.77	256.00	51.77	238.14	51.78	226.23	51.79
	27	24	299.26	48.01	284.59	48.01	270.22	48.02	256.00	48.02	238.14	48.03	226.23	47.51
	32	29	299.26	42.97	284.59	42.98	270.22	42.98	256.00	42.98	238.14	40.11	226.23	37.77
	37	34	299.26	37.33	284.59	37.33	270.22	36.89	256.00	34.07	238.14	31.32	226.23	29.54
	42	38	299.26	31.77	284.59	31.24	270.22	28.99	256.00	26.80	238.14	24.68	226.23	23.30
	47	43	299.26	26.27	284.59	24.50	270.22	22.77	256.00	21.09	238.14	19.45	226.23	18.38
	52	47	299.26	24.08	284.59	22.48	270.22	20.92	256.00	19.39	238.14	17.91	226.23	16.94
	57	52	299.26	21.75	284.59	20.33	270.22	18.94	256.00	17.58	238.14	16.26	226.23	15.39
	62	56	299.26	20.14	284.59	18.84	270.22	17.57	256.00	16.32	238.14	15.11	226.23	14.32
	67	61	299.26	18.38	284.59	17.21	270.22	16.07	256.00	14.95	238.14	13.86	226.23	13.14
	72	66	299.26	16.86	284.59	15.80	270.22	14.77	256.00	13.76	238.14	12.77	226.23	12.12
	75	69	299.26	15.94	284.59	14.95	270.22	13.99	256.00	13.04	238.14	12.11	226.23	11.50

NOTE - Power Input = Compressor + Outdoor Fan Motor.  
 MBH = 1000 BTUs per hour.

# HEATING CAPACITY - THREE MODULE - VRA312L4

Combination (%)	Outdoor Temperature (°F)		Indoor Temperature - °F Dry Bulb											
			61		64		67		70		73		75	
	Dry Bulb	Wet Bulb	Total Cap. MBH	Power Input kW	Total Cap. MBH	Power Input kW	Total Cap. MBH	Power Input kW	Total Cap. MBH	Power Input kW	Total Cap. MBH	Power Input kW	Total Cap. MBH	Power Input kW
70%	-13	-13	224.98	67.48	224.58	67.51	224.15	67.54	224.00	67.56	208.37	67.59	197.95	67.60
	-8	-9	232.75	70.70	229.76	70.73	226.78	70.75	224.00	70.77	208.37	70.80	197.95	70.81
	-3	-4	239.68	72.02	234.38	72.04	229.12	72.06	224.00	72.08	208.37	72.10	197.95	72.11
	2	1	245.88	72.27	238.52	72.29	231.22	72.30	224.00	72.32	208.37	72.33	197.95	72.34
	7	6	251.47	64.50	242.24	64.51	233.11	64.52	224.00	64.53	208.37	64.55	197.95	64.55
	12	10	256.53	59.19	245.62	59.20	234.82	59.20	224.00	59.21	208.37	59.22	197.95	59.23
	17	15	260.99	55.45	248.55	55.46	236.33	55.47	224.00	55.48	208.37	55.48	197.95	55.49
	22	20	260.99	51.77	248.55	51.77	236.33	51.78	224.00	51.79	208.37	51.62	197.95	48.57
	27	24	260.99	48.02	248.55	48.02	236.33	48.03	224.00	46.96	208.37	43.12	197.95	40.63
	32	29	260.99	42.98	248.55	42.99	236.33	40.41	224.00	37.34	208.37	34.36	197.95	32.43
	37	34	260.99	36.42	248.55	33.95	236.33	31.55	224.00	29.21	208.37	26.93	197.95	25.45
	42	38	260.99	28.62	248.55	26.71	236.33	24.85	224.00	23.04	208.37	21.27	197.95	20.12
	47	43	260.99	22.49	248.55	21.02	236.33	19.58	224.00	18.18	208.37	16.81	197.95	15.92
	52	47	260.99	20.66	248.55	19.33	236.33	18.03	224.00	16.76	208.37	15.52	197.95	14.71
	57	52	260.99	18.71	248.55	17.52	236.33	16.37	224.00	15.24	208.37	14.13	197.95	13.41
	62	56	260.99	17.36	248.55	16.27	236.33	15.21	224.00	14.18	208.37	13.16	197.95	12.50
	67	61	260.99	15.88	248.55	14.90	236.33	13.95	224.00	13.02	208.37	12.10	197.95	11.50
72	66	260.99	14.59	248.55	13.71	236.33	12.85	224.00	12.00	208.37	11.17	197.95	10.63	
75	69	260.99	13.82	248.55	13.00	236.33	12.19	224.00	11.39	208.37	10.62	197.95	10.11	
60%	-13	-13	192.84	67.55	192.49	67.57	192.13	67.59	192.00	67.61	178.60	67.63	169.67	67.65
	-8	-9	198.88	70.76	196.53	70.78	194.17	70.80	192.00	70.82	178.60	70.84	169.67	70.85
	-3	-4	204.54	72.07	200.32	72.09	196.08	72.10	192.00	72.12	178.60	72.14	169.67	72.15
	2	1	209.85	72.31	203.87	72.32	197.88	72.34	192.00	72.35	178.60	72.36	169.67	72.37
	7	6	214.85	64.53	207.21	64.54	199.57	64.55	192.00	64.56	178.60	64.57	169.67	64.57
	12	10	219.56	59.21	210.36	59.22	201.16	59.22	192.00	59.23	178.60	59.24	169.67	59.24
	17	15	224.00	55.47	213.33	55.48	202.67	55.49	192.00	55.49	178.60	53.28	169.67	50.16
	22	20	229.29	51.78	216.21	51.79	205.40	50.74	192.00	46.86	178.60	43.09	169.67	40.64
	27	24	232.19	48.03	218.79	45.66	205.40	42.40	192.00	39.23	178.60	36.14	169.67	34.13
	32	29	232.19	38.94	218.79	36.34	205.40	33.81	192.00	31.34	178.60	28.93	169.67	27.36
	37	34	232.19	30.43	218.79	28.44	205.40	26.50	192.00	24.61	178.60	22.77	169.67	21.56
	42	38	232.19	23.98	218.79	22.45	205.40	20.94	192.00	19.47	178.60	18.04	169.67	17.10
	47	43	232.19	18.91	218.79	17.72	205.40	16.56	192.00	15.42	178.60	14.31	169.67	13.58
	52	47	232.19	17.42	218.79	16.35	205.40	15.29	192.00	14.26	178.60	13.24	169.67	12.58
	57	52	232.19	15.83	218.79	14.87	205.40	13.92	192.00	13.00	178.60	12.09	169.67	11.50
	62	56	232.19	14.72	218.79	13.84	205.40	12.97	192.00	12.12	178.60	11.29	169.67	10.75
	67	61	232.19	13.51	218.79	12.71	205.40	11.93	192.00	11.16	178.60	10.41	169.67	9.92
72	66	232.19	12.45	218.79	11.73	205.40	11.02	192.00	10.32	178.60	9.64	169.67	9.19	
75	69	232.19	11.82	218.79	11.14	205.40	10.47	192.00	9.82	178.60	9.17	169.67	8.75	
50%	-13	-13	160.94	67.61	160.72	67.63	160.31	67.65	160.00	67.67	148.84	67.69	141.40	67.71
	-8	-9	166.02	70.82	164.55	70.84	161.98	70.85	160.00	70.87	148.84	70.89	141.40	70.90
	-3	-4	170.97	72.12	168.28	72.13	164.42	72.15	160.00	72.16	148.84	72.18	141.40	72.19
	2	1	175.80	72.35	171.92	72.36	167.34	72.37	160.00	72.38	148.84	72.39	141.40	72.40
	7	6	180.51	64.56	175.48	64.56	170.08	64.57	160.00	64.58	148.84	64.59	141.40	64.60
	12	10	185.11	59.23	178.94	59.24	171.16	59.24	160.00	59.07	148.84	55.98	141.40	53.30
	17	15	189.60	55.49	182.33	54.93	171.16	52.37	160.00	48.39	148.84	44.53	141.40	42.02
	22	20	193.49	47.14	182.33	45.05	171.16	42.96	160.00	39.77	148.84	36.67	141.40	34.65
	27	24	193.49	39.47	182.33	37.66	171.16	35.85	160.00	33.24	148.84	30.70	141.40	29.04
	32	29	193.49	31.54	182.33	30.03	171.16	28.53	160.00	26.50	148.84	24.52	141.40	23.23
	37	34	193.49	24.78	182.33	23.53	171.16	22.29	160.00	20.75	148.84	19.24	141.40	18.25
	42	38	193.49	19.62	182.33	18.55	171.16	17.49	160.00	16.31	148.84	15.15	141.40	14.40
	47	43	193.49	15.55	182.33	14.61	171.16	13.70	160.00	12.81	148.84	11.93	141.40	11.35
	52	47	193.49	14.37	182.33	13.52	171.16	12.69	160.00	11.88	148.84	11.07	141.40	10.55
	57	52	193.49	13.10	182.33	12.34	171.16	11.60	160.00	10.87	148.84	10.15	141.40	9.68
	62	56	193.49	12.22	182.33	11.52	171.16	10.84	160.00	10.17	148.84	9.51	141.40	9.07
	67	61	193.49	11.25	182.33	10.62	171.16	10.00	160.00	9.39	148.84	8.79	141.40	8.40
72	66	193.49	10.40	182.33	9.83	171.16	9.26	160.00	8.71	148.84	8.17	141.40	7.81	
75	69	193.49	9.89	182.33	9.35	171.16	8.82	160.00	8.30	148.84	7.79	141.40	7.45	

NOTE - Power Input = Compressor + Outdoor Fan Motor.  
MBH = 1000 BTUs per hour.

# COOLING CAPACITY - THREE MODULE - VRA336L4

Combination (%)	Outdoor Temperature °F (Dry Bulb)	Indoor Temperature - °F (Dry Bulb / Wet Bulb)											
		67 / 57		71 / 60		75 / 63		80 / 67		85 / 71		90 / 75	
		Total Cap.	Power Input	Total Cap.	Power Input	Total Cap.	Power Input	Total Cap.	Power Input	Total Cap.	Power Input	Total Cap.	Power Input
		MBH	kW	MBH	kW	MBH	kW	MBH	kW	MBH	kW	MBH	kW
130%	25	275.07	12.54	319.78	14.80	364.66	17.18	424.63	19.07	458.77	20.45	469.75	22.00
	30	275.07	12.79	319.78	15.12	364.66	17.57	424.63	19.51	451.30	20.90	462.28	22.46
	35	275.07	13.09	319.78	15.51	364.66	18.03	424.63	20.00	443.98	21.42	454.96	23.05
	40	275.07	13.39	319.78	15.90	364.66	18.49	424.63	20.49	436.66	21.95	447.64	23.64
	45	275.07	13.75	319.78	16.30	364.66	18.95	417.83	20.97	429.33	22.23	440.32	23.83
	50	275.07	14.11	319.78	16.71	364.66	19.41	411.03	21.46	422.01	22.51	433.00	24.03
	55	275.07	14.44	319.78	17.13	364.66	19.93	403.45	22.07	414.82	22.70	426.20	24.39
	60	275.07	14.82	319.78	17.60	364.66	20.44	396.39	22.44	407.37	23.22	418.35	25.09
	65	275.07	15.39	319.78	18.53	364.14	21.97	386.41	23.44	398.53	24.22	408.15	25.53
	70	275.07	15.78	319.78	19.64	360.48	23.31	381.75	25.00	392.73	25.56	403.71	26.90
	75	275.07	17.33	319.78	21.55	355.60	25.03	374.43	26.58	385.41	27.18	396.39	27.49
	80	275.07	19.01	319.78	23.74	350.37	26.81	366.58	28.14	377.69	28.12	388.81	28.75
	85	275.07	20.80	319.78	25.96	345.49	28.63	359.26	29.35	370.50	29.74	381.75	30.07
	90	275.07	22.77	319.19	28.36	340.35	30.51	351.94	30.99	362.92	31.35	373.90	31.71
	95	275.07	24.87	315.07	30.16	333.99	32.16	345.14	32.52	355.60	32.94	357.69	33.00
	100	275.07	27.02	309.19	31.90	326.14	33.77	336.25	34.13	339.39	34.31	339.39	34.31
	105	275.07	29.73	303.57	33.97	317.25	35.57	321.43	35.74	321.43	35.82	321.43	35.82
	110	275.07	33.23	296.25	36.64	303.31	37.78	303.31	37.78	303.31	37.78	303.31	37.78
115	261.47	38.14	261.47	38.14	262.17	38.14	262.52	38.26	263.56	38.26	264.61	38.37	
118	224.86	34.76	224.86	34.76	225.46	34.76	225.76	34.87	226.66	34.87	227.56	34.98	
120%	25	254.15	11.46	295.72	13.55	336.77	15.68	391.16	18.70	443.68	20.05	462.43	21.56
	30	254.15	11.70	295.72	13.86	336.77	16.02	391.16	19.13	440.32	20.49	454.96	22.02
	35	254.15	11.95	295.72	14.19	336.77	16.42	391.16	19.61	435.35	21.00	447.64	22.60
	40	254.15	12.19	295.72	14.53	336.77	16.82	391.16	20.08	430.38	21.52	440.32	23.17
	45	254.15	12.55	295.72	14.88	336.77	17.25	391.16	20.56	422.54	21.80	433.00	23.37
	50	254.15	12.91	295.72	15.24	336.77	17.69	391.16	21.04	414.69	22.07	425.67	23.56
	55	254.15	13.21	295.72	15.65	336.77	18.16	391.16	21.64	407.89	22.25	418.09	23.92
	60	254.15	13.51	295.72	16.06	336.77	18.67	389.07	22.00	400.31	22.77	411.03	24.60
	65	254.15	14.08	295.72	16.74	336.77	19.69	379.92	22.98	392.52	23.75	401.26	25.03
	70	254.15	14.23	295.72	17.54	336.77	21.12	375.47	24.51	385.41	25.06	396.39	26.38
	75	254.15	15.54	295.72	19.22	336.77	23.23	368.15	26.06	378.09	26.64	389.07	26.95
	80	254.15	17.04	295.72	21.07	336.43	25.46	360.57	27.59	371.29	27.88	381.22	28.18
	85	254.15	18.59	295.72	23.07	333.64	27.48	353.51	29.17	363.44	29.50	373.90	29.83
	90	254.15	20.32	295.72	25.25	328.76	29.31	345.66	30.75	356.38	31.11	366.58	31.47
	95	254.15	22.12	295.72	27.59	323.53	31.16	338.87	32.40	348.80	32.70	357.69	33.00
	100	254.15	24.09	295.72	30.12	318.99	33.14	331.02	33.92	338.21	34.27	339.39	34.31
	105	254.15	26.46	294.15	32.95	313.30	35.37	320.74	35.70	321.43	35.82	321.43	35.82
	110	254.15	29.53	289.45	35.63	302.61	37.74	303.31	37.78	303.31	37.78	303.31	37.78
115	254.15	32.88	259.64	36.82	262.17	38.14	262.52	38.26	263.56	38.26	264.61	38.37	
118	224.86	30.83	224.86	33.80	225.46	34.76	225.76	34.87	226.66	34.87	227.56	34.98	
110%	25	233.23	10.44	270.88	12.28	308.54	14.19	358.74	16.87	408.94	19.66	454.36	21.14
	30	233.23	10.66	270.88	12.53	308.54	14.51	358.74	17.21	408.94	20.08	447.64	21.59
	35	233.23	10.91	270.88	12.86	308.54	14.86	358.74	17.69	408.94	20.59	439.79	22.16
	40	233.23	11.15	270.88	13.19	308.54	15.22	358.74	18.17	408.94	21.10	431.95	22.72
	45	233.23	11.42	270.88	13.48	308.54	15.60	358.74	18.59	406.33	21.37	424.63	22.91
	50	233.23	11.68	270.88	13.77	308.54	15.98	358.74	19.01	403.71	21.64	417.31	23.10
	55	233.23	11.99	270.88	14.18	308.54	16.43	358.74	19.58	399.53	21.82	410.51	23.45
	60	233.23	12.31	270.88	14.55	308.54	16.86	358.74	20.08	393.51	22.32	402.66	24.12
	65	233.23	12.79	270.88	15.10	308.54	17.58	358.74	21.49	386.72	23.28	392.56	24.54
	70	233.23	12.91	270.88	15.60	308.54	18.57	358.74	23.19	378.61	24.57	388.02	25.86
	75	233.23	13.87	270.88	17.01	308.54	20.44	358.74	25.58	371.29	26.12	380.70	26.42
	80	233.23	15.09	270.88	18.66	308.54	22.46	354.29	27.44	364.10	27.74	373.12	27.94
	85	233.23	16.50	270.88	20.40	308.54	24.61	347.23	28.99	356.65	29.29	366.06	29.59
	90	233.23	17.99	270.88	22.30	308.54	26.94	339.39	30.54	349.19	30.89	359.00	31.23
	95	233.23	19.61	270.88	24.27	308.54	29.41	332.59	32.16	342.00	32.46	351.42	32.76
	100	233.23	21.40	270.88	26.53	306.27	31.71	325.01	33.68	333.77	34.07	339.39	34.31
	105	233.23	23.43	270.88	29.20	301.80	33.96	317.60	35.63	321.26	35.80	321.43	35.82
	110	233.23	26.06	270.88	32.52	296.68	36.74	303.31	37.78	303.31	37.78	303.31	37.78
115	233.23	29.05	254.41	35.86	262.17	38.14	262.52	38.26	263.56	38.26	264.61	38.37	
118	224.86	29.69	224.86	33.60	225.46	34.76	225.76	34.87	226.66	34.87	227.56	34.98	

NOTE - Power Input = Compressor + Outdoor Fan Motor.  
MBH = 1000 BTUs per hour.

### COOLING CAPACITY - THREE MODULE - VRA336L4

Combination (%)	Outdoor Temperature °F (Dry Bulb)	Indoor Temperature - °F (Dry Bulb / Wet Bulb)											
		67 / 57		71 / 60		75 / 63		80 / 67		85 / 71		90 / 75	
		Total Cap.	Power Input	Total Cap.	Power Input	Total Cap.	Power Input	Total Cap.	Power Input	Total Cap.	Power Input	Total Cap.	Power Input
		MBH	kW	MBH	kW	MBH	kW	MBH	kW	MBH	kW	MBH	kW
100%	25	211.27	9.46	245.78	11.09	280.30	12.79	320.00	15.08	372.33	17.61	418.35	20.14
	30	211.27	9.66	245.78	11.33	280.30	13.05	320.00	15.42	372.33	17.99	418.35	20.56
	35	211.27	9.87	245.78	11.59	280.30	13.38	320.00	15.84	372.33	18.44	418.35	21.10
	40	211.27	10.08	245.78	11.84	280.30	13.71	320.00	16.26	372.33	18.89	418.35	21.64
	45	211.27	10.31	245.78	12.13	280.30	14.05	320.00	16.68	372.33	19.37	414.17	21.82
	50	211.27	10.54	245.78	12.41	280.30	14.39	320.00	17.10	372.33	19.84	409.99	22.00
	55	211.27	10.80	245.78	12.72	280.30	14.71	320.00	17.54	372.33	20.43	402.40	22.33
	60	211.27	11.08	245.78	13.08	280.30	15.14	320.00	17.99	372.33	20.95	395.34	22.97
	65	211.27	11.53	245.78	13.62	280.30	15.81	320.00	18.80	370.77	22.42	386.75	23.37
	70	211.27	11.66	245.78	13.76	280.30	16.22	320.00	20.08	367.10	23.91	380.70	24.63
	75	211.27	12.19	245.78	14.88	280.30	17.85	320.00	22.12	363.44	25.88	373.38	26.18
	80	211.27	13.39	245.78	16.33	280.30	19.58	320.00	24.36	357.17	27.53	365.54	27.79
	85	211.27	14.58	245.78	17.86	280.30	21.42	320.00	26.66	349.59	29.11	358.21	29.35
	90	211.27	15.87	245.78	19.48	280.30	23.41	320.00	29.23	342.40	30.65	350.89	30.90
	95	211.27	17.21	245.78	21.25	280.30	25.54	<b>320.00</b>	<b>31.31</b>	334.68	32.22	343.05	32.52
	100	211.27	18.74	245.78	23.11	280.30	27.89	318.73	33.44	327.88	33.80	335.47	34.13
	105	211.27	20.60	245.78	25.41	280.30	30.68	311.32	35.39	319.34	35.70	321.43	35.82
	110	211.27	22.83	245.78	28.30	280.30	34.19	303.31	37.78	303.31	37.78	303.31	37.78
115	211.27	25.34	245.78	31.53	260.77	36.62	262.52	38.26	263.56	38.26	264.61	38.37	
118	211.27	26.86	216.29	29.41	225.46	33.56	225.76	34.87	226.66	34.87	227.56	34.98	
90%	25	190.35	8.51	221.73	9.92	252.41	11.39	293.89	13.41	334.68	15.62	376.52	17.86
	30	190.35	8.68	221.73	10.12	252.41	11.66	293.89	13.75	334.68	15.96	376.52	18.29
	35	190.35	8.86	221.73	10.35	252.41	11.90	293.89	14.05	334.68	16.35	376.52	18.71
	40	190.35	9.05	221.73	10.58	252.41	12.15	293.89	14.35	334.68	16.74	376.52	19.13
	45	190.35	9.25	221.73	10.83	252.41	12.47	293.89	14.76	334.68	17.16	376.52	19.61
	50	190.35	9.46	221.73	11.08	252.41	12.80	293.89	15.18	334.68	17.57	376.52	20.08
	55	190.35	9.68	221.73	11.35	252.41	13.09	293.89	15.51	334.68	18.08	376.52	20.68
	60	190.35	9.91	221.73	11.62	252.41	13.43	293.89	15.96	334.68	18.53	376.52	21.22
	65	190.35	10.30	221.73	12.08	252.41	14.01	293.89	16.68	334.68	19.47	376.52	22.83
	70	190.35	10.41	221.73	12.29	252.41	14.19	293.89	17.33	334.68	20.92	372.33	24.51
	75	190.35	10.70	221.73	12.99	252.41	15.42	293.89	19.01	334.68	23.01	365.01	25.94
	80	190.35	11.69	221.73	14.15	252.41	16.85	293.89	20.83	334.68	25.28	357.43	27.56
	85	190.35	12.73	221.73	15.47	252.41	18.45	293.89	22.83	333.90	27.59	350.37	29.11
	90	190.35	13.87	221.73	16.87	252.41	20.14	293.89	25.02	330.76	29.75	343.31	30.66
	95	190.35	15.06	221.73	18.38	252.41	21.96	293.89	27.26	326.84	31.86	335.73	32.28
	100	190.35	16.29	221.73	19.96	252.41	23.94	293.89	29.80	320.56	33.55	328.15	33.80
	105	190.35	17.89	221.73	21.96	252.41	26.34	293.89	32.76	313.07	35.45	320.04	35.74
	110	190.35	19.84	221.73	24.42	252.41	29.29	293.89	36.58	303.31	37.78	303.31	37.78
115	190.35	22.00	221.73	27.11	252.41	35.03	262.52	38.26	263.56	38.26	264.61	38.37	
118	190.35	23.32	216.29	28.03	219.59	32.30	225.76	34.87	226.66	34.87	227.56	34.98	
80%	25	169.43	7.60	196.89	8.80	224.17	10.04	261.47	11.80	297.55	13.65	334.68	15.56
	30	169.43	7.75	196.89	8.98	224.17	10.26	261.47	12.07	297.55	13.99	334.68	15.90
	35	169.43	7.90	196.89	9.17	224.17	10.49	261.47	12.37	297.55	14.32	334.68	16.32
	40	169.43	8.06	196.89	9.37	224.17	10.72	261.47	12.67	297.55	14.64	334.68	16.74
	45	169.43	8.23	196.89	9.58	224.17	10.97	261.47	12.97	297.55	15.00	334.68	17.16
	50	169.43	8.40	196.89	9.79	224.17	11.23	261.47	13.27	297.55	15.36	334.68	17.57
	55	169.43	8.60	196.89	10.02	224.17	11.51	261.47	13.57	297.55	15.80	334.68	18.02
	60	169.43	8.79	196.89	10.27	224.17	11.80	261.47	13.93	297.55	16.20	334.68	18.53
	65	169.43	9.12	196.89	10.67	224.17	12.26	261.47	14.55	297.55	16.92	334.68	19.49
	70	169.43	9.23	196.89	10.80	224.17	12.46	261.47	14.70	297.55	17.63	334.68	20.80
	75	169.43	9.46	196.89	11.21	224.17	13.18	261.47	16.14	297.55	19.37	334.68	22.95
	80	169.43	10.14	196.89	12.22	224.17	14.45	261.47	17.66	297.55	21.26	334.68	25.22
	85	169.43	11.03	196.89	13.34	224.17	15.74	261.47	19.31	297.55	23.31	334.68	27.68
	90	169.43	11.99	196.89	14.47	224.17	17.16	261.47	21.04	297.55	25.49	333.90	30.22
	95	169.43	13.03	196.89	15.72	224.17	18.69	261.47	22.95	297.55	27.79	327.36	31.92
	100	169.43	14.08	196.89	17.10	224.17	20.30	261.47	25.08	297.55	30.38	320.56	33.53
	105	169.43	15.34	196.89	18.69	224.17	22.28	261.47	27.54	297.55	33.47	313.07	35.39
	110	169.43	17.10	196.89	20.77	224.17	24.79	261.47	30.72	294.42	36.64	303.31	37.78
115	169.43	18.89	196.89	23.01	224.17	27.50	261.47	34.19	263.56	35.61	264.61	38.37	
118	169.43	20.02	196.89	24.39	219.59	28.55	225.76	31.29	226.66	32.98	227.56	34.98	

NOTE - Power Input = Compressor + Outdoor Fan Motor.  
MBH = 1000 BTUs per hour.



## COOLING CAPACITY - THREE MODULE - VRA336L4

Combination (%)	Outdoor Temperature °F (Dry Bulb)	Indoor Temperature - °F (Dry Bulb / Wet Bulb)											
		67 / 57		71 / 60		75 / 63		80 / 67		85 / 71		90 / 75	
		Total Cap.	Power Input	Total Cap.	Power Input	Total Cap.	Power Input	Total Cap.	Power Input	Total Cap.	Power Input	Total Cap.	Power Input
		MBH	kW	MBH	kW	MBH	kW	MBH	kW	MBH	kW	MBH	kW
70%	25	148.52	6.74	172.05	7.74	195.93	8.77	228.00	10.23	260.42	11.77	292.85	13.37
	30	148.52	6.86	172.05	7.88	195.93	8.95	228.00	10.45	260.42	12.03	292.85	13.63
	35	148.52	6.99	172.05	8.04	195.93	9.14	228.00	10.68	260.42	12.32	292.85	13.99
	40	148.52	7.13	172.05	8.20	195.93	9.33	228.00	10.91	260.42	12.61	292.85	14.35
	45	148.52	7.27	172.05	8.38	195.93	9.54	228.00	11.18	260.42	12.91	292.85	14.70
	50	148.52	7.41	172.05	8.56	195.93	9.76	228.00	11.44	260.42	13.21	292.85	15.06
	55	148.52	7.56	172.05	8.75	195.93	9.99	228.00	11.72	260.42	13.57	292.85	15.48
	60	148.52	7.73	172.05	8.96	195.93	10.23	228.00	12.04	260.42	13.90	292.85	15.84
	65	148.52	8.00	172.05	9.29	195.93	10.64	228.00	12.60	260.42	14.50	292.85	16.56
	70	148.52	8.08	172.05	9.39	195.93	10.75	228.00	12.67	260.42	14.70	292.85	17.21
	75	148.52	8.28	172.05	9.64	195.93	11.14	228.00	13.51	260.42	16.08	292.85	18.89
	80	148.52	8.71	172.05	10.37	195.93	12.15	228.00	14.73	260.42	17.65	292.85	20.71
	85	148.52	9.45	172.05	11.29	195.93	13.21	228.00	16.08	260.42	19.28	292.85	22.71
	90	148.52	10.24	172.05	12.27	195.93	14.42	228.00	17.51	260.42	21.04	292.85	24.81
	95	148.52	11.08	172.05	13.26	195.93	15.66	228.00	19.13	260.42	22.89	292.85	27.14
	100	148.52	11.99	172.05	14.38	195.93	16.98	228.00	20.80	260.42	25.00	292.85	29.59
	105	148.52	13.11	172.05	15.74	195.93	18.58	228.00	22.83	260.42	27.46	292.85	31.54
	110	148.52	14.47	172.05	17.42	195.93	20.64	228.00	25.34	260.42	30.66	292.85	33.06
115	148.52	16.02	172.05	19.34	195.93	22.91	228.00	28.21	257.81	31.76	264.61	33.20	
118	148.52	16.98	172.05	20.50	195.93	24.29	205.20	26.92	226.66	29.57	227.56	31.88	
60%	25	126.55	5.92	147.73	6.73	168.04	7.57	195.58	8.74	223.30	9.99	251.01	11.30
	30	126.55	6.01	147.73	6.85	168.04	7.71	195.58	8.92	223.30	10.20	251.01	11.54
	35	126.55	6.12	147.73	6.98	168.04	7.86	195.58	9.11	223.30	10.43	251.01	11.81
	40	126.55	6.23	147.73	7.11	168.04	8.02	195.58	9.30	223.30	10.66	251.01	12.07
	45	126.55	6.35	147.73	7.25	168.04	8.19	195.58	9.51	223.30	10.91	251.01	12.37
	50	126.55	6.47	147.73	7.39	168.04	8.36	195.58	9.72	223.30	11.17	251.01	12.67
	55	126.55	6.59	147.73	7.55	168.04	8.55	195.58	9.95	223.30	11.44	251.01	12.97
	60	126.55	6.72	147.73	7.72	168.04	8.75	195.58	10.19	223.30	11.71	251.01	13.33
	65	126.55	6.94	147.73	7.98	168.04	9.07	195.58	10.60	223.30	12.22	251.01	13.96
	70	126.55	7.01	147.73	8.06	168.04	9.17	195.58	10.71	223.30	12.36	251.01	14.11
	75	126.55	7.17	147.73	8.27	168.04	9.40	195.58	11.07	223.30	13.09	251.01	15.30
	80	126.55	7.42	147.73	8.70	168.04	10.07	195.58	12.07	223.30	14.30	251.01	16.68
	85	126.55	8.01	147.73	9.44	168.04	10.95	195.58	13.15	223.30	15.63	251.01	18.23
	90	126.55	8.66	147.73	10.22	168.04	11.89	195.58	14.35	223.30	17.05	251.01	19.96
	95	126.55	9.35	147.73	11.06	168.04	12.88	195.58	15.54	223.30	18.47	251.01	21.76
	100	126.55	10.09	147.73	11.98	168.04	14.01	195.58	16.89	223.30	20.19	251.01	23.70
	105	126.55	10.98	147.73	13.03	168.04	15.28	195.58	18.49	223.30	22.14	251.01	25.98
	110	126.55	12.07	147.73	14.41	168.04	16.94	195.58	20.56	223.30	24.63	251.01	28.93
115	126.55	13.39	147.73	15.99	168.04	18.77	195.58	22.83	223.30	27.32	251.01	32.28	
118	126.55	14.19	147.73	16.95	168.04	19.90	195.58	24.20	205.43	26.64	227.56	31.02	
50%	25	104.59	5.10	123.41	5.72	140.15	6.36	163.16	7.25	186.17	8.21	209.18	9.22
	30	104.59	5.16	123.41	5.81	140.15	6.46	163.16	7.39	186.17	8.38	209.18	9.44
	35	104.59	5.25	123.41	5.91	140.15	6.59	163.16	7.54	186.17	8.55	209.18	9.62
	40	104.59	5.33	123.41	6.01	140.15	6.71	163.16	7.69	186.17	8.72	209.18	9.80
	45	104.59	5.43	123.41	6.12	140.15	6.84	163.16	7.84	186.17	8.92	209.18	10.04
	50	104.59	5.52	123.41	6.22	140.15	6.97	163.16	8.00	186.17	9.12	209.18	10.28
	55	104.59	5.62	123.41	6.34	140.15	7.11	163.16	8.17	186.17	9.31	209.18	10.46
	60	104.59	5.72	123.41	6.47	140.15	7.26	163.16	8.34	186.17	9.52	209.18	10.82
	65	104.59	5.88	123.41	6.67	140.15	7.51	163.16	8.60	186.17	9.95	209.18	11.36
	70	104.59	5.93	123.41	6.74	140.15	7.58	163.16	8.75	186.17	10.02	209.18	11.00
	75	104.59	6.06	123.41	6.89	140.15	7.67	163.16	8.63	186.17	10.10	209.18	11.72
	80	104.59	6.13	123.41	7.02	140.15	7.99	163.16	9.41	186.17	10.95	209.18	12.64
	85	104.59	6.57	123.41	7.58	140.15	8.70	163.16	10.22	186.17	11.98	209.18	13.75
	90	104.59	7.07	123.41	8.18	140.15	9.37	163.16	11.18	186.17	13.06	209.18	15.12
	95	104.59	7.62	123.41	8.86	140.15	10.11	163.16	11.95	186.17	14.05	209.18	16.38
	100	104.59	8.19	123.41	9.58	140.15	11.04	163.16	12.97	186.17	15.38	209.18	17.81
	105	104.59	8.85	123.41	10.31	140.15	11.97	163.16	14.15	186.17	16.82	209.18	19.33
	110	104.59	9.68	123.41	11.39	140.15	13.23	163.16	15.78	186.17	18.59	209.18	21.52
115	104.59	10.76	123.41	12.64	140.15	14.62	163.16	17.45	186.17	19.25	209.18	26.18	
118	104.59	11.40	123.41	13.40	140.15	15.50	163.16	18.50	186.17	20.40	209.18	27.75	

NOTE - Power Input = Compressor + Outdoor Fan Motor.  
MBH = 1000 BTUs per hour.

# HEATING CAPACITY - THREE MODULE - VRA336L4

Combination (%)	Outdoor Temperature (°F)		Indoor Temperature - °F Dry Bulb											
			61		64		67		70		73		75	
	Dry Bulb	Wet Bulb	Total Cap. MBH	Power Input kW	Total Cap. MBH	Power Input kW	Total Cap. MBH	Power Input kW	Total Cap. MBH	Power Input kW	Total Cap. MBH	Power Input kW	Total Cap. MBH	Power Input kW
130%	-13	-13	224.05	48.36	223.15	50.40	222.72	52.03	222.17	53.88	221.36	55.58	221.19	56.64
	-8	-9	243.94	52.38	242.96	54.16	242.49	55.63	241.89	57.23	241.01	58.66	240.82	59.58
	-3	-4	263.37	55.52	262.30	56.97	261.80	58.22	261.15	59.50	260.20	60.60	260.00	61.34
	2	1	283.99	57.94	282.90	59.00	281.96	59.99	281.03	60.90	280.53	61.63	279.99	62.17
	7	6	304.57	59.58	303.46	60.32	302.39	60.98	301.92	61.57	300.95	62.02	300.32	62.33
	12	10	325.85	59.65	324.73	60.04	323.57	60.34	323.07	60.54	322.16	60.76	321.45	60.87
	17	15	346.60	59.84	345.47	59.86	344.94	59.88	343.58	59.89	342.89	59.91	341.96	59.92
	22	20	351.39	57.35	350.31	57.37	349.80	57.38	348.40	57.39	347.85	57.41	346.96	57.42
	27	24	354.99	53.21	354.03	53.23	353.18	53.24	352.65	53.25	351.44	53.26	350.58	53.27
	32	29	356.20	47.81	355.32	47.82	354.51	47.83	353.66	47.84	352.87	47.85	352.09	47.86
	37	34	332.61	42.04	331.96	42.05	331.18	42.05	330.46	42.06	329.89	42.07	329.60	42.07
	42	38	364.70	35.77	364.17	35.78	363.29	35.78	354.20	35.79	351.64	35.79	349.33	35.80
	47	43	393.11	30.64	385.54	30.64	376.60	30.65	367.66	30.65	358.71	30.66	354.52	30.66
	52	47	409.92	30.32	400.98	30.32	392.03	30.33	383.09	30.33	374.15	30.34	368.19	30.34
	57	52	429.21	29.92	420.27	29.92	411.33	29.93	402.38	29.93	393.44	29.93	387.40	29.93
	62	56	444.65	29.60	435.70	29.60	426.76	29.61	417.82	29.61	407.83	29.48	388.31	27.84
	67	61	463.94	29.20	455.00	29.20	446.06	29.20	437.11	29.21	408.74	27.03	388.31	25.46
	72	66	483.23	28.79	474.29	28.80	465.35	28.80	439.40	27.02	408.74	24.83	388.31	23.41
75	69	494.81	28.55	485.87	28.56	476.93	28.56	440.77	25.71	408.74	23.51	388.31	22.18	
120%	-13	-13	223.12	52.13	222.43	53.44	221.80	54.83	221.29	56.13	220.67	57.39	220.26	58.13
	-8	-9	242.93	55.70	242.18	56.87	241.48	58.08	240.93	59.21	240.26	60.28	239.81	60.92
	-3	-4	262.27	58.26	261.46	59.24	260.72	60.22	260.12	61.14	259.39	61.97	258.91	62.49
	2	1	282.31	59.99	281.48	60.76	280.72	61.47	280.11	62.15	279.13	62.73	278.64	63.10
	7	6	302.68	61.03	301.84	61.55	301.06	62.00	300.44	62.46	299.45	62.82	298.95	63.08
	12	10	323.83	60.32	322.98	60.57	322.20	60.77	321.57	61.04	320.74	61.17	320.06	61.29
	17	15	344.61	59.87	343.76	59.88	342.97	59.90	341.96	59.91	341.33	59.92	340.83	59.93
	22	20	349.49	57.37	348.68	57.39	347.93	57.40	346.96	57.41	346.36	57.42	345.88	57.43
	27	24	351.60	53.23	351.60	53.24	351.60	53.25	351.60	53.26	348.21	53.27	348.21	53.28
	32	29	353.95	47.83	352.99	47.83	352.67	47.84	352.67	47.85	350.75	47.86	350.75	47.86
	37	34	331.44	42.05	330.38	42.06	330.03	42.06	330.03	42.07	316.93	42.08	312.04	42.08
	42	38	350.19	35.78	347.00	35.78	344.18	35.79	344.18	35.79	335.81	35.80	329.13	35.80
	47	43	379.52	30.64	371.33	30.65	366.05	30.65	357.80	30.66	349.54	30.66	344.04	30.66
	52	47	398.06	30.32	389.78	30.33	381.51	30.33	373.23	30.34	364.95	30.34	358.44	30.33
	57	52	417.43	29.92	409.13	29.93	400.83	29.93	392.52	29.93	377.30	29.31	358.44	27.59
	62	56	431.06	29.28	421.89	29.28	413.62	29.28	405.35	29.29	377.30	26.97	358.44	25.41
	67	61	449.18	28.70	439.36	28.70	431.11	28.70	405.60	26.79	377.30	24.62	358.44	23.21
	72	66	465.69	28.21	457.44	28.21	433.90	26.63	405.60	24.61	377.30	22.65	358.44	21.37
75	69	476.54	27.94	468.28	27.94	435.57	25.39	405.60	23.30	377.30	21.46	358.44	20.26	
110%	-13	-13	222.09	54.48	221.49	55.67	220.88	56.81	220.26	57.93	219.75	58.87	219.35	59.42
	-8	-9	241.81	57.76	241.15	58.80	240.49	59.78	239.81	60.76	239.26	61.55	238.82	61.97
	-3	-4	261.07	59.96	260.35	60.79	259.64	61.59	258.91	62.39	258.31	62.99	257.84	63.27
	2	1	280.84	61.27	280.29	61.88	279.62	62.46	278.83	63.06	278.09	63.46	277.73	63.59
	7	6	301.19	61.86	300.63	62.26	299.94	62.65	299.32	63.05	298.40	63.26	298.06	63.28
	12	10	322.32	60.70	321.76	60.90	321.07	61.12	320.44	61.27	319.70	61.34	319.20	61.27
	17	15	342.08	59.89	341.23	59.90	340.69	59.91	340.83	59.93	340.19	59.94	328.57	59.95
	22	20	348.05	57.39	345.51	57.40	345.00	57.41	342.45	57.42	341.86	57.43	328.57	57.44
	27	24	356.83	53.25	354.39	53.25	352.80	53.26	344.76	53.27	344.76	53.28	328.57	53.29
	32	29	357.93	47.84	357.23	47.84	355.94	47.85	349.01	47.86	345.62	47.87	328.57	47.87
	37	34	330.03	42.06	330.03	42.07	330.03	42.07	327.22	42.08	313.65	42.08	303.35	42.09
	42	38	351.60	35.79	351.60	35.79	345.98	35.80	334.19	35.80	326.52	35.81	314.86	35.81
	47	43	370.64	30.65	364.34	30.65	356.75	30.66	347.94	30.66	340.37	30.67	328.57	29.64
	52	47	386.13	30.33	382.33	30.33	372.26	30.34	363.37	30.34	345.86	29.07	328.57	27.37
	57	52	403.16	29.64	395.60	29.64	388.03	29.64	371.80	28.53	345.86	26.20	328.57	24.69
	62	56	417.62	29.22	410.06	29.22	397.74	28.65	371.80	26.46	345.86	24.33	328.57	22.94
	67	61	435.70	28.71	423.68	28.22	397.74	26.19	371.80	24.21	345.86	22.29	328.57	21.05
	72	66	449.62	27.79	423.68	25.91	397.74	24.07	371.80	22.28	345.86	20.54	328.57	19.41
75	69	457.97	27.26	423.68	24.52	397.74	22.80	371.80	21.12	345.86	19.49	328.57	18.42	

NOTE - Power Input = Compressor + Outdoor Fan Motor.  
MBH = 1000 BTUs per hour.

# HEATING CAPACITY - THREE MODULE - VRA336L4

Combination (%)	Outdoor Temperature (°F)		Indoor Temperature - °F Dry Bulb											
			61		64		67		70		73		75	
	Dry Bulb	Wet Bulb	Total Cap. MBH	Power Input kW	Total Cap. MBH	Power Input kW	Total Cap. MBH	Power Input kW	Total Cap. MBH	Power Input kW	Total Cap. MBH	Power Input kW	Total Cap. MBH	Power Input kW
100%	-13	-13	221.37	56.56	220.75	57.67	220.44	58.70	219.35	59.88	219.19	60.81	219.08	63.85
	-8	-9	241.02	59.61	240.35	60.54	240.01	61.39	238.82	62.48	238.65	63.25	238.53	66.41
	-3	-4	260.22	61.50	259.50	62.21	259.13	62.86	257.84	63.82	257.66	64.39	257.53	67.61
	2	1	279.47	62.45	278.77	62.94	278.47	63.37	277.73	64.18	276.94	64.54	276.86	67.77
	7	6	300.24	62.67	299.13	62.97	298.68	63.26	298.06	63.89	297.13	64.06	294.47	67.26
	12	10	321.29	61.19	320.84	61.30	320.02	61.44	319.20	61.82	314.42	61.84	298.70	64.93
	17	15	339.73	59.91	339.56	59.92	338.58	59.93	338.00	59.94	314.42	59.95	298.70	59.96
	22	20	343.53	57.41	343.37	57.42	341.93	57.43	338.00	57.44	314.42	56.91	298.70	56.57
	27	24	344.70	53.26	343.62	53.27	343.05	53.28	338.00	53.28	314.42	52.29	298.70	51.65
	32	29	348.04	47.85	346.48	47.86	344.54	47.87	338.00	47.87	314.42	46.51	298.70	45.63
	37	34	313.42	42.08	312.17	42.08	309.22	42.09	303.35	42.09	290.24	40.47	279.62	39.41
	42	38	341.32	35.80	336.99	35.81	331.82	35.81	318.78	35.81	301.07	34.07	289.27	32.41
	47	43	371.95	30.63	360.78	30.63	348.41	30.63	338.00	30.63	314.42	28.11	298.70	26.48
	52	47	391.80	30.22	374.61	30.23	360.39	30.23	338.00	28.06	314.42	25.79	298.70	24.32
	57	52	401.31	30.08	384.92	29.86	361.58	27.74	338.00	25.64	314.42	23.61	298.70	22.28
	62	56	407.83	29.63	385.16	27.71	361.58	25.74	338.00	23.82	314.42	21.95	298.70	20.74
	67	61	408.74	27.16	385.16	25.34	361.58	23.57	338.00	21.84	314.42	20.16	298.70	19.06
	72	66	408.74	24.95	385.16	23.31	361.58	21.70	338.00	20.13	314.42	18.60	298.70	17.61
	75	69	408.74	23.63	385.16	22.08	361.58	20.58	338.00	19.11	314.42	17.67	298.70	16.73
	90%	-13	-13	216.27	62.46	215.82	63.56	215.39	64.55	214.96	65.86	214.49	66.59	214.16
-8		-9	235.47	65.74	234.98	66.67	234.52	67.55	234.04	68.73	233.53	69.31	233.18	72.78
-3		-4	254.22	67.73	253.69	68.47	253.19	69.19	252.68	70.21	252.13	70.62	251.74	74.15
2		1	272.86	68.69	272.32	69.22	271.78	69.77	271.25	70.60	270.58	70.84	266.72	74.38
7		6	294.20	69.92	293.04	69.93	290.64	69.95	288.11	69.97	279.09	69.98	268.83	69.99
12		10	312.39	64.62	311.83	64.63	308.31	64.65	301.76	64.66	282.98	64.67	268.83	64.68
17		15	320.28	61.13	317.61	61.14	313.91	61.15	304.20	61.16	282.98	61.17	268.83	61.17
22		20	324.76	57.42	322.11	57.43	318.45	57.44	304.20	57.45	282.98	57.46	268.83	57.47
27		24	332.66	53.27	329.81	53.28	325.42	53.29	304.20	53.30	282.98	53.30	268.83	53.31
32		29	342.38	47.86	334.40	47.87	325.42	47.87	304.20	47.88	282.98	47.88	268.83	47.89
37		34	341.28	42.08	325.42	42.08	310.07	42.09	293.56	42.09	282.98	40.52	268.83	38.15
42		38	352.30	35.80	335.94	35.80	320.09	35.81	303.04	34.67	282.98	31.84	268.83	30.01
47		43	357.19	30.66	341.79	30.66	325.42	29.30	304.20	27.07	282.98	24.91	268.83	23.50
52		47	362.51	30.20	346.65	29.02	325.42	26.94	304.20	24.92	282.98	22.95	268.83	21.68
57		52	367.87	28.18	346.65	26.28	325.42	24.43	304.20	22.63	282.98	20.88	268.83	19.73
62		56	367.87	26.15	346.65	24.41	325.42	22.71	304.20	21.06	282.98	19.44	268.83	18.39
67		61	367.87	23.94	346.65	22.37	325.42	20.84	304.20	19.34	282.98	17.89	268.83	16.94
72		66	367.87	22.04	346.65	20.61	325.42	19.22	304.20	17.86	282.98	16.54	268.83	15.67
75		69	367.87	20.89	346.65	19.56	325.42	18.25	304.20	16.98	282.98	15.73	268.83	14.91
80%		-13	-13	211.84	68.71	211.40	69.91	210.93	71.01	210.66	72.45	210.20	73.25	209.88
	-8	-9	230.65	72.31	230.17	73.34	229.65	74.30	229.36	75.60	228.86	76.24	226.71	80.05
	-3	-4	247.33	74.50	246.81	75.31	246.26	76.11	245.95	77.23	242.56	77.68	238.53	81.16
	2	1	261.92	75.56	261.40	76.14	260.87	76.74	260.35	77.66	251.53	77.92	238.96	80.65
	7	6	276.06	69.95	274.83	69.96	273.41	69.98	270.40	69.99	251.53	70.00	238.96	70.01
	12	10	290.28	64.64	286.71	64.66	280.97	64.67	270.40	64.68	251.53	64.69	238.96	64.70
	17	15	304.16	61.15	298.84	61.16	285.02	61.16	270.40	61.17	251.53	61.18	238.96	61.19
	22	20	316.09	57.44	300.60	57.45	285.42	57.46	270.40	57.46	251.53	57.47	238.96	57.48
	27	24	316.09	53.29	300.60	53.30	285.42	53.30	270.40	53.31	251.53	53.32	238.96	52.74
	32	29	316.09	47.87	300.60	47.88	285.42	47.88	270.40	47.89	251.53	44.68	238.96	42.08
	37	34	316.09	42.09	300.60	42.09	285.42	41.60	270.40	38.41	251.53	35.31	238.96	33.30
	42	38	316.09	35.81	300.60	35.20	285.42	32.67	270.40	30.21	251.53	27.81	238.96	26.26
	47	43	316.09	29.47	300.60	27.48	285.42	25.54	270.40	23.65	251.53	21.81	238.96	20.62
	52	47	316.09	27.10	300.60	25.29	285.42	23.53	270.40	21.82	251.53	20.15	238.96	19.06
	57	52	316.09	24.58	300.60	22.97	285.42	21.40	270.40	19.86	251.53	18.37	238.96	17.39
	62	56	316.09	22.84	300.60	21.37	285.42	19.93	270.40	18.52	251.53	17.14	238.96	16.24
	67	61	316.09	20.96	300.60	19.63	285.42	18.32	270.40	17.05	251.53	15.80	238.96	14.99
	72	66	316.09	19.34	300.60	18.12	285.42	16.94	270.40	15.78	251.53	14.64	238.96	13.90
	75	69	316.09	18.36	300.60	17.22	285.42	16.11	270.40	15.01	251.53	13.95	238.96	13.25

NOTE - Power Input = Compressor + Outdoor Fan Motor.  
 MBH = 1000 BTUs per hour.

# HEATING CAPACITY - THREE MODULE - VRA336L4

Combination (%)	Outdoor Temperature (°F)		Indoor Temperature - °F Dry Bulb											
			61		64		67		70		73		75	
	Dry Bulb	Wet Bulb	Total Cap. MBH	Power Input kW	Total Cap. MBH	Power Input kW	Total Cap. MBH	Power Input kW	Total Cap. MBH	Power Input kW	Total Cap. MBH	Power Input kW	Total Cap. MBH	Power Input kW
70%	-13	-13	237.63	72.42	237.21	72.45	236.76	72.48	236.60	72.50	220.09	72.53	209.09	72.55
	-8	-9	245.85	75.58	242.69	75.60	239.53	75.63	236.60	75.65	220.09	75.68	209.09	75.69
	-3	-4	253.16	77.21	247.56	77.23	242.01	77.25	236.60	77.27	220.09	77.29	209.09	77.30
	2	1	259.71	77.65	251.93	77.66	244.22	77.68	236.60	77.70	220.09	77.71	209.09	77.72
	7	6	265.61	69.98	255.87	69.99	246.22	70.00	236.60	70.02	220.09	70.03	209.09	70.04
	12	10	270.96	64.67	259.44	64.68	248.03	64.69	236.60	64.70	220.09	64.71	209.09	64.72
	17	15	275.53	61.17	262.39	61.17	249.58	61.18	236.60	61.19	220.09	61.20	209.09	61.20
	22	20	275.53	57.46	262.39	57.47	249.58	57.47	236.60	57.48	220.09	57.29	209.09	53.91
	27	24	275.53	53.30	262.39	53.31	249.58	53.31	236.60	52.12	220.09	47.87	209.09	45.10
	32	29	275.53	47.88	262.39	47.89	249.58	45.01	236.60	41.60	220.09	38.28	209.09	36.12
	37	34	275.53	41.06	262.39	38.28	249.58	35.57	236.60	32.93	220.09	30.36	209.09	28.69
	42	38	275.53	32.26	262.39	30.11	249.58	28.01	236.60	25.97	220.09	23.98	209.09	22.68
	47	43	275.53	25.22	262.39	23.58	249.58	21.97	236.60	20.39	220.09	18.86	209.09	17.86
	52	47	275.53	23.24	262.39	21.75	249.58	20.29	236.60	18.86	220.09	17.47	209.09	16.56
	57	52	275.53	21.14	262.39	19.80	249.58	18.50	236.60	17.22	220.09	15.97	209.09	15.15
	62	56	275.53	19.68	262.39	18.46	249.58	17.26	236.60	16.08	220.09	14.94	209.09	14.18
	67	61	275.53	18.11	262.39	17.00	249.58	15.91	236.60	14.85	220.09	13.80	209.09	13.12
72	66	275.53	16.74	262.39	15.73	249.58	14.74	236.60	13.77	220.09	12.82	209.09	12.20	
75	69	275.53	15.92	262.39	14.97	249.58	14.04	236.60	13.13	220.09	12.23	209.09	11.64	
60%	-13	-13	203.69	72.49	203.32	72.51	202.93	72.54	202.80	72.56	188.65	72.58	179.22	72.60
	-8	-9	210.07	75.64	207.59	75.66	205.09	75.68	202.80	75.70	188.65	75.72	179.22	75.74
	-3	-4	216.04	77.26	211.59	77.28	207.11	77.29	202.80	77.31	188.65	77.33	179.22	77.34
	2	1	221.65	77.69	215.34	77.70	209.01	77.72	202.80	77.73	188.65	77.74	179.22	77.75
	7	6	226.93	70.01	218.87	70.02	210.80	70.03	202.80	70.04	188.65	70.05	179.22	70.06
	12	10	231.91	64.69	222.19	64.70	212.48	64.71	202.80	64.72	188.65	64.73	179.22	64.73
	17	15	236.60	61.19	225.33	61.19	214.07	61.20	202.80	61.21	188.65	58.77	179.22	55.33
	22	20	242.18	57.48	228.37	57.48	216.95	56.31	202.80	52.01	188.65	47.82	179.22	45.10
	27	24	245.25	53.32	231.10	50.69	216.95	47.07	202.80	43.54	188.65	40.12	179.22	37.89
	32	29	245.25	43.38	231.10	40.48	216.95	37.66	202.80	34.91	188.65	32.23	179.22	30.49
	37	34	245.25	34.30	231.10	32.07	216.95	29.88	202.80	27.75	188.65	25.67	179.22	24.31
	42	38	245.25	27.03	231.10	25.30	216.95	23.60	202.80	21.95	188.65	20.33	179.22	19.28
	47	43	245.25	21.21	231.10	19.88	216.95	18.58	202.80	17.30	188.65	16.05	179.22	15.23
	52	47	245.25	19.61	231.10	18.39	216.95	17.21	202.80	16.04	188.65	14.90	179.22	14.16
	57	52	245.25	17.89	231.10	16.80	216.95	15.74	202.80	14.69	188.65	13.67	179.22	13.00
	62	56	245.25	16.71	231.10	15.71	216.95	14.72	202.80	13.76	188.65	12.81	179.22	12.20
	67	61	245.25	15.41	231.10	14.51	216.95	13.61	202.80	12.74	188.65	11.88	179.22	11.31
72	66	245.25	14.29	231.10	13.46	216.95	12.65	202.80	11.85	188.65	11.06	179.22	10.54	
75	69	245.25	13.62	231.10	12.83	216.95	12.07	202.80	11.31	188.65	10.57	179.22	10.08	
50%	-13	-13	170.02	72.56	169.91	72.58	169.34	72.61	169.00	72.63	157.21	72.66	149.35	72.67
	-8	-9	175.76	75.70	173.93	75.72	171.24	75.74	169.00	75.76	157.21	75.79	149.35	75.80
	-3	-4	181.35	77.31	177.84	77.33	173.96	77.35	169.00	77.36	157.21	77.38	149.35	77.39
	2	1	186.81	77.73	181.66	77.74	177.17	77.75	169.00	77.77	157.21	77.78	149.35	77.79
	7	6	192.14	70.04	185.39	70.05	180.20	70.06	169.00	70.07	157.21	70.08	149.35	70.08
	12	10	197.34	64.72	189.03	64.73	180.79	64.73	169.00	64.64	157.21	63.03	149.35	60.56
	17	15	202.43	61.21	192.58	60.92	180.79	59.44	169.00	54.90	157.21	50.49	149.35	47.63
	22	20	204.37	52.18	192.58	50.92	180.79	49.56	169.00	45.84	157.21	42.23	149.35	39.88
	27	24	204.37	43.71	192.58	42.47	180.79	41.15	169.00	38.12	157.21	35.17	149.35	33.24
	32	29	204.37	35.07	192.58	33.89	180.79	32.66	169.00	30.31	157.21	28.01	149.35	26.52
	37	34	204.37	27.90	192.58	26.78	180.79	25.64	169.00	23.84	157.21	22.08	149.35	20.93
	42	38	204.37	22.09	192.58	21.02	180.79	19.94	169.00	18.58	157.21	17.25	149.35	16.38
	47	43	204.37	17.44	192.58	16.39	180.79	15.37	169.00	14.36	157.21	13.38	149.35	12.73
	52	47	204.37	16.17	192.58	15.22	180.79	14.28	169.00	13.36	157.21	12.46	149.35	11.87
	57	52	204.37	14.81	192.58	13.95	180.79	13.11	169.00	12.29	157.21	11.48	149.35	10.95
	62	56	204.37	13.87	192.58	13.08	180.79	12.30	169.00	11.54	157.21	10.79	149.35	10.30
	67	61	204.37	12.83	192.58	12.12	180.79	11.41	169.00	10.72	157.21	10.04	149.35	9.59
72	66	204.37	11.93	192.58	11.28	180.79	10.64	169.00	10.00	157.21	9.38	149.35	8.97	
75	69	204.37	11.39	192.58	10.78	180.79	10.17	169.00	9.57	157.21	8.98	149.35	8.59	

NOTE - Power Input = Compressor + Outdoor Fan Motor.  
MBH = 1000 BTUs per hour.

## SYSTEM SELECTION

### **INTRODUCTION**

#### **MODEL SELECTION PROCEDURE**

**Select the model and calculate the capacity for each refrigerant system according to the procedure shown below:**

1. Calculate Indoor Air-Conditioning Load  
Calculate the maximum air-conditioning load for each room or zone.
2. Select Air Conditioning System  
Select the optimal air conditioning system for air conditioning of each room or zone.
3. Control System Design  
Design a suitable control system for the selected air conditioning system.
4. Preliminary Selection of Indoor And Outdoor Units  
Make preliminary capacity selections that are within the allowable range for the system.
5. Check Piping Length And Elevation Difference  
Check that the length of refrigerant piping and the elevation difference are within the allowable ranges.
6. Calculate Corrected Outdoor Unit Capacity  
Capacity correction coefficient for model, outdoor temperature conditions, piping length and elevation difference.
7. Calculate Actual Capacity for Each Indoor Unit  
Calculate the corrected indoor/outdoor capacity ratio, based on the corrected outdoor unit capacity and the total corrected capacity of all indoor units in the same system
8. Recheck the Actual Capacity for Each Indoor Unit  
If the capacity is inadequate, re-examine the unit combinations.

#### **INDOOR UNIT SELECTION**

Enter INDOOR UNIT CAPACITY TABLES at given indoor and outdoor temperature. Select the unit that the capacity is the nearest to and greater than the given load.

*NOTE - Individual indoor unit capacity is subject to change by the combination. Actual capacity has to be calculated according to the combination by using outdoor unit capacity table.*

#### **CALCULATION OF ACTUAL CAPACITY OF INDOOR UNIT**

Because the capacity of a multiple unit system changes according to the temperature conditions, refrigerant piping length, difference in elevation and other factors, select the correct model after taking into account the various correction values. When selecting the model, calculate the corrected capacities of the outdoor unit and each indoor unit. Use the corrected outdoor unit capacity and the total corrected capacity of all the indoor units to calculate the actual final capacity of each indoor unit.

#### **Find the Indoor Unit Capacity Correction Coefficient for the Following:**

1. Capacity correction for the indoor unit temperature conditions.  
From the graph of capacity characteristics, use the indoor temperature to find the capacity correction coefficient.
2. Capacity distribution ratio based on the indoor unit piping length and elevation difference.  
Use the piping length and elevation difference for each indoor unit to find the correction coefficient from the graph of capacity change characteristics.

**Capacity distribution ratio for each indoor unit = Correction coefficient for that indoor unit / Correction coefficient for the outdoor unit**

#### **OUTDOOR UNIT SELECTION**

**Allowable combinations are indicated in INDOOR UNIT COMBINATION TOTAL CAPACITY INDEX TABLE.**

In general, the outdoor unit can be selected as follows though the location of the unit, zoning and usage of the rooms:

- The indoor and outdoor unit combination is determined that the sum of indoor unit capacity index is nearest to and smaller than the capacity index at 100% combination ratio of each outdoor unit. Up to 8 to 16 indoor units can be connected to one outdoor unit. It is recommended to choose a larger outdoor unit if the installation space is large enough.
- If the combination ratio is greater than 100%, the indoor unit selection should be reviewed by using actual capacity of each indoor unit.



## SYSTEM SELECTION (CONTINUED)

### INDOOR UNIT COMBINATION TOTAL CAPACITY INDEX TABLE

Outdoor Unit Tons (kBtuh)	Indoor Unit Combination Ratio (kBtuh)								
	130%	120%	110%	100%	90%	80%	70%	60%	50%
6 (72)	93.6	86.4	79.2	72.0	64.8	57.6	50.4	43.2	36.0
8 (96)	124.8	115.2	105.6	96.0	86.4	76.8	67.2	57.6	48.0
10 (120)	156.0	144.0	132.0	120.0	108.0	96.0	84.0	72.0	60.0
12 (144)	187.2	172.8	158.4	144.0	129.6	115.2	100.8	86.4	72.0
14 (168)	218.4	201.6	184.8	168.0	151.2	134.4	117.6	100.8	84.0
16 (192)	249.6	230.4	211.2	192.0	172.8	153.6	134.4	115.2	96.0
18 (216)	280.8	259.2	237.6	216.0	194.4	172.8	151.2	129.6	108.0
20 (240)	312.0	288.0	264.0	240.0	216.0	192.0	168.0	144.0	120.0
22 (264)	343.2	316.8	290.4	264.0	237.6	211.2	184.8	158.4	132.0
24 (288)	374.4	345.6	316.8	288.0	259.2	230.4	201.6	172.8	144.0
26 (312)	405.6	374.4	343.2	312.0	280.8	249.6	218.4	187.2	156.0
28 (336)	436.8	403.2	369.6	336.0	302.4	268.8	235.2	201.6	168.0

### INDOOR UNIT CAPACITY INDEX

Unit Size	007	009	012	015	018	024	030	036	048	054	072	096
Capacity Index kBtuh)	7	9	12	15	18	24	30	36	48	54	72	96

### ACTUAL PERFORMANCE DATA

#### Use Outdoor Unit Capacity Tables

Determine correct table according to the outdoor unit model and combination ratio.

Enter the table at the given indoor and outdoor temperature to determine the outdoor unit capacity and power input.

The individual indoor unit capacity (power input) can be calculated as follows:

$$IUC = OUC \times INX / TNX$$

#### Legend:

IUC = Each Indoor Unit Capacity

OUC = Outdoor Unit Capacity

INX: Each Indoor Unit Capacity Index

TNX: Total Capacity Index

Then, correct indoor unit capacity according to the piping length.

If the corrected capacity is smaller than the load, the size of indoor unit must be increased.

Repeat the same selection procedure.

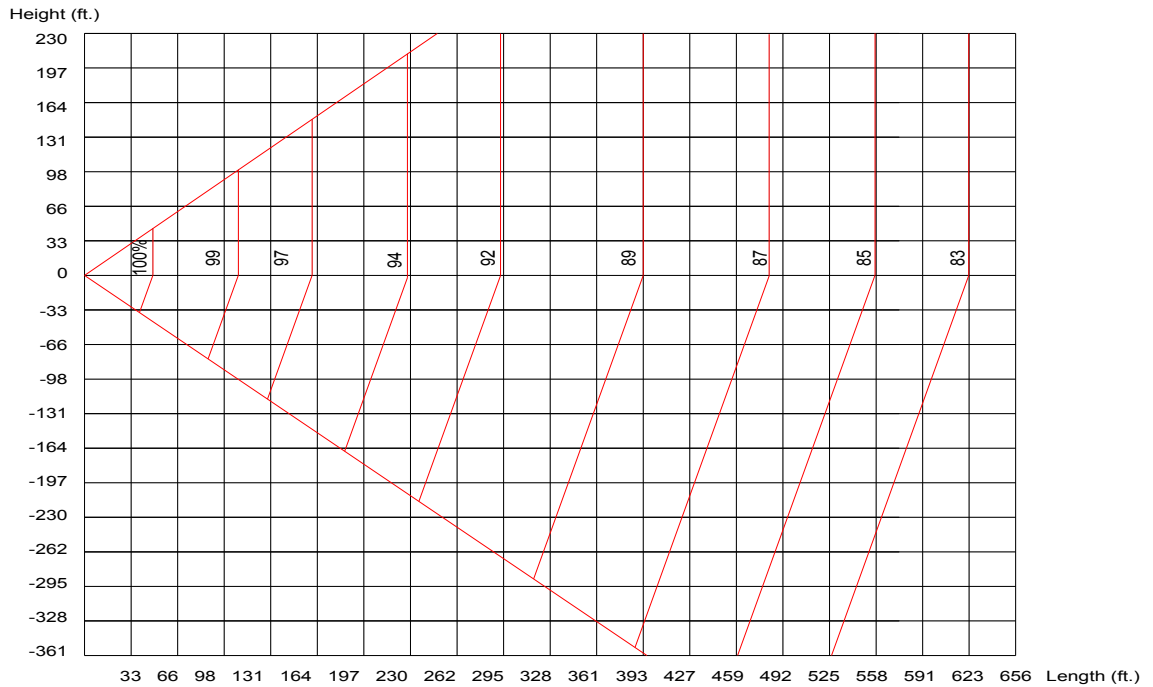
## SYSTEM SELECTION (CONTINUED)

### COOLING AND HEATING CAPACITY CORRECTION FACTORS

#### Cooling Capacity Modification

Modification coefficient of the length and height difference of refrigerant pipe:

#### Cooling Capacity Modification



#### Heating Capacity Modification



L = Length of equivalent refrigerant pipe.

H = Height difference between outdoor and indoor unit.

Positive data means outdoor unit is above indoor unit.

Negative data means outdoor unit is below indoor unit.

### CORRECTION FACTORS - DEFROST DERATE CAPACITY

Outdoor Temperature DB (°F)	-13	-9	14	17	19.4	23	26.6	32	37.4	41	47
Derate Factor	0.98	0.98	0.98	0.98	0.98	0.95	0.93	0.86	0.93	0.96	1.00

NOTE - Derate Factor - Use the capacity obtained in the heating rating table and apply the appropriate correction factor based on the outdoor temperature to obtain the average performance including the defrost cycle.

## SYSTEM SELECTION (CONTINUED)

### UNIT SELECTION EXAMPLE (BASED ON COOLING LOAD)

#### 1. GIVEN CONDITION

Cooling: Indoor temperature 68°F WB, outdoor temperature 95°F DB.

#### Cooling Load

Location	Room A	Room B	Room C	Room D	Room E	Room F
Load (Btuh)	7,170	9,559	11,900	15,700	19,790	24,570

NOTE - Piping length = 164 ft.; Height difference between indoor unit and outdoor unit = 98.4 ft.

#### 2. INDOOR UNIT SELECTION

Select the suitable capacity for condition of Indoor 68°F WB, Outdoor 95°F DB using indoor unit capacity table. The selected result is as follows. (Assume the indoor unit type is a duct type model).

Location	Room A	Room B	Room C	Room D	Room E	Room F
Load (Btuh)	2.1 (7,170)	2.8 (9,559)	3.5 (11,900)	4.6 (15,700)	5.8 (19,790)	7.2 (24,570)
Model	007	009	012	015	018	024
Capacity (Btuh)	7,000	9,000	12,000	15,000	18,000	24,000

#### 3. OUTDOOR UNIT SELECTION

Example: Assume the indoor unit and outdoor unit combination is as follows:

Calculate the total nominal capacity of all indoor units in the combination according to the above table:

$$\bullet 7,000 \times 1 + 9,000 \times 1 + 12,000 \times 1 + 15,000 \times 1 + 18,000 \times 1 + 24,000 \times 1 = 85,000 \text{ Btuh}$$

Select outdoor unit - VRA096L4, which has the nominal cooling capacity of 96,000 Btuh:

Calculate the proportion between the indoor units and outdoor unit -  $85,000 / 96,000 = 89\%$

Result - Based on the Indoor Unit Combination Total Capacity Index Table the proportion (89%) is within 50-130%.

#### Real function data with indoor unit combination:

- For the 89% combination, calculate the cooling capacity of outdoor unit (VRA096L4).
- 76,800 Btuh ←80% (Indoor temperature: 68°F WB, Outdoor temperature: 95°F DB)
- 86,400 Btuh ←90%(Indoor temperature: 68°F WB, Outdoor temperature: 95°F DB)

Then calculate the outdoor capacity in 89% combination index:

Result:  $76,800 + \{(86,400 - 76,800) / 10\} \times 9 = 85,440 \text{ Btuh}$ ;

- Outdoor unit ((VRA096L4)) cooling temperature: 95°F DB
- Capacity modification coefficient with pipe length (164 ft.) and height difference (98.4 ft.) - 0.968
- Each indoor unit cooling capacity

Room A - VMDA007S4 ( $85,440 \times 7,000 / 85,000 \times 0.968 = 6,811 \text{ Btuh}$ )

Room B - VMDA009S4 ( $85,440 \times 9,000 / 85,000 \times 0.968 = 8,757 \text{ Btuh}$ )

Room C - VMDA012S4 ( $85,440 \times 12,000 / 85,000 \times 0.968 = 11,676 \text{ Btuh}$ )

Room D - VMDA015S4 ( $85,440 \times 15,000 / 85,000 \times 0.968 = 14,595 \text{ Btuh}$ )

Room E - VMDA018S4 ( $85,440 \times 18,000 / 85,000 \times 0.968 = 17,514 \text{ Btuh}$ )

Room F - VMDA024S4 ( $85,440 \times 24,000 / 85,000 \times 0.968 = 23,352 \text{ Btuh}$ )

Location	Room A	Room B	Room C	Room D	Room E	Room F
Load (Btuh)	7,170	9,559	11,900	15,700	19,790	24,570
Model	007	009	012	015	018	024
Capacity (Btuh)	6,811	8,757	11,676	14,595	17,514	23,352

In this sample, the other capacity modification indexes are not be considered and are assumed to be 1.0.

For more details about the effect factor such as outside ambient / inside ambient DB / WD, please refer to the performance capacity table of indoor and outdoor units.





**Intertek**



Visit us at [www.lennox.com](http://www.lennox.com)

For the latest technical information, [www.lennoxcommercial.com](http://www.lennoxcommercial.com)

Contact us at 1-800-4-LENNOX

NOTE - Due to Lennox' ongoing commitment to quality, Specifications, Ratings and Dimensions subject to change without notice and without incurring liability. Improper installation, adjustment, alteration, service or maintenance can cause property damage or personal injury. Installation and service must be performed by a qualified installer and servicing agency.

©2018 Lennox Industries, Inc.