



**SUBMITTAL DATA - OUTDOOR UNIT**  
**VPA432H4M-2Y**  
**VPA144H4M-2Y + VPA144H4M-2Y + VPA144H4M-2Y**  
**VRF HEAT PUMP**

**Job:** \_\_\_\_\_  
**Location:** \_\_\_\_\_  
**Schedule No.:** \_\_\_\_\_  
**System Designation:** \_\_\_\_\_

**Engineer:** \_\_\_\_\_  
**Architect:** \_\_\_\_\_  
**Date:** \_\_\_\_\_  
**For:** Reference Approval Review Construction

**FEATURES**

- Two-pipe heat pump
- Accelerated complete coil defrost
- Hinged electrical box for ease of maintenance
- High efficiency DC Inverter scroll compressor
- Intelligent Duty Cycle operation
- Night Silent operation

**WARRANTY**

- Compressor - 10 year limited warranty
  - All other components - 10 year limited warranty
- \*See warranty for details

**SPECIFICATIONS**

**PERFORMANCE**

Cooling Capacity <sup>1</sup> (Btu/h)	Nominal	408,000
	Rated <sup>2</sup>	390,000
EER	Ducted	9.50
	Non-Ducted	9.50
IEER	Ducted	17.00
	Non-Ducted	17.00
Heating Capacity <sup>1</sup> (Btu/h)		415,000
	COP47	
	Ducted	3.20
	Non-Ducted	3.20
COP17	Ducted	2.05
	Non-Ducted	2.05

**ELECTRICAL DATA**

Power Supply <sup>3</sup> (V/Hz/Ph)	208-230/60/3
Minimum Circuit Ampacity (A)	53.8+53.8+53.8
Maximum Overcurrent Protection (A)	70 + 70 + 70
Compressor RLA (A)	(3) 24/16
No. of Compressors	2 + 2 + 2
Outdoor Fan Power Input (W)	(3) 540/540
Outdoor Fan FLA (A)	(3) 3.9/3.9

**GENERAL DATA**

Connection Ratio	50% to 130%
Max. # of Indoor Units	64 units
Sound Pressure Level (dBA)	68
Outdoor Fan Air Volume (cfm)	(3) 8685
Refrigerant type	R-410A
Factory refrigerant charge (each unit)	28 lbs. 11 oz.



**DIMENSIONS (each unit)**

Unit Dimensions (in)	Height	63-1/8
	Width	49-1/2
	Depth	30-1/8
Liquid Pipe Connection (in)		5/8
Gas Pipe Connection (in)		1-1/8
Gas Balance Pipe Connection (in)	H.P.	3/4
	L.P.	7/8
Shipping Weight (lb)		(3) 778
Net Weight (lb)		(3) 741

**NOTES**

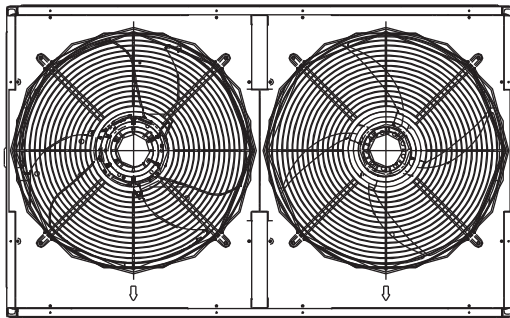
1. Cooling and Heating Capacity data is rated at the following conditions:  
Cooling: 80°FDB / 67°FWB Indoor, 95°FDB Outdoor  
Heating: 70°FDB Indoor, 47°FDB / 43°FWB Indoor
2. Complies with AHRI 1230-2014 testing standards
3. Operating Voltage Range: 191V to 247V





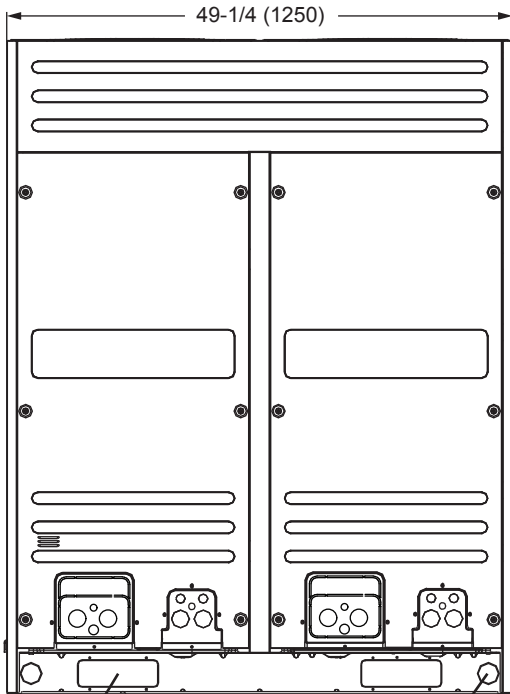
SUBMITTAL DATA - **OUTDOOR UNIT**  
**VPA432H4M-2Y**  
**VPA144H4M-2Y + VPA144H4M-2Y + VPA144H4M-2Y**  
**VRF HEAT PUMP**

**DIMENSIONS - INCHES (MM)**

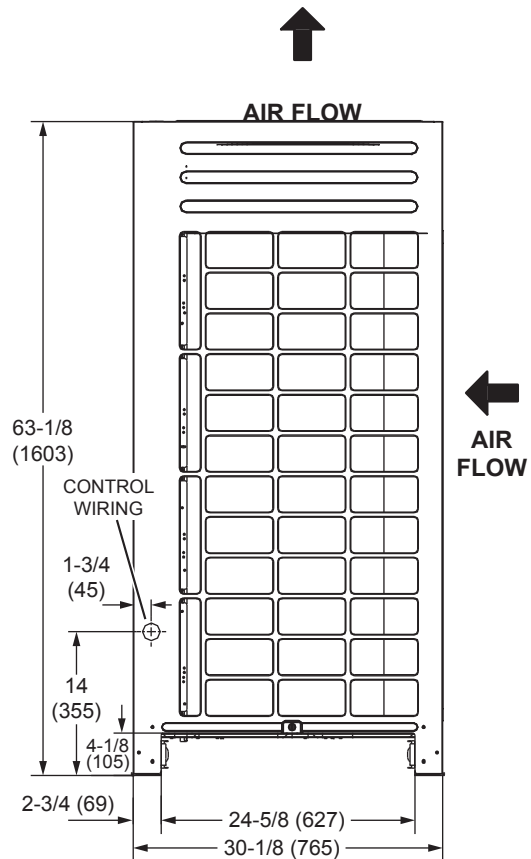


**TOP VIEW**

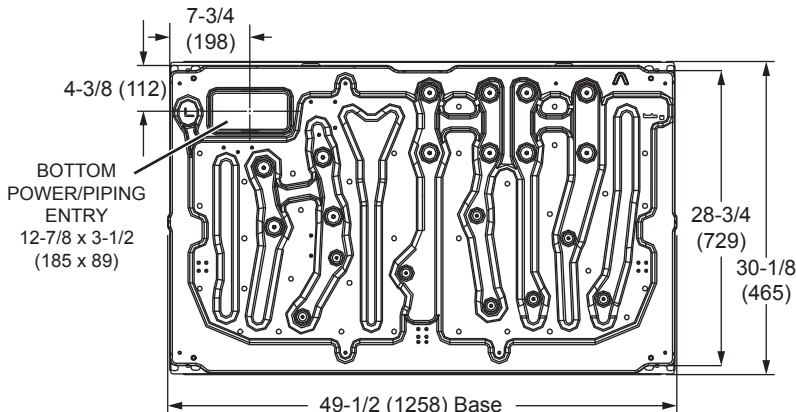
**NOTE:** Dimensions indicated here are for a single unit



**FRONT VIEW**



**SIDE VIEW**



**BASE VIEW**

DISCLAIMER – Due to Lennox' ongoing commitment to quality, Specifications, Ratings and Dimensions subject to change without notice and without incurring liability. Improper installation, adjustment, alteration, service or maintenance can cause property damage or personal injury. Installation and service must be performed by a qualified installer and servicing agency.