



# SUBMITTAL DATA - **OUTDOOR UNIT**

## **VRA120H4M-2Y**

### **VRF HEAT RECOVERY**

**Job:** \_\_\_\_\_  
**Location:** \_\_\_\_\_  
**Schedule No.:** \_\_\_\_\_  
**System Designation:** \_\_\_\_\_

**Engineer:** \_\_\_\_\_  
**Architect:** \_\_\_\_\_  
**Date:** \_\_\_\_\_  
**For:** Reference Approval Review Construction

#### FEATURES

- Three-pipe heat recovery
- Split coil heat exchanger providing continuous heating during defrost
- Hinged electrical box for ease of maintenance
- High efficiency DC Inverter scroll compressor
- Intelligent Duty Cycle operation
- Night Silent operation

#### SPECIFICATIONS

##### PERFORMANCE

Cooling Capacity <sup>1</sup> (Btu/h)	Nominal	120,000
	Rated <sup>2</sup>	112,000
EER	Ducted	11.00
	Non-Ducted	11.40
IEER	Ducted	21.50
	Non-Ducted	23.20
Simultaneous Heating and Cooling Efficiency (SCHE)	Ducted	25.50
	Non-Ducted	30.00
Heating Capacity <sup>1</sup> (Btu/h)		120,000
	COP <sub>47</sub>	Ducted
Non-Ducted		3.52
COP <sub>17</sub>	Ducted	2.28
	Non-Ducted	2.25

##### ELECTRICAL DATA

Power Supply <sup>3</sup> (V/Hz/Ph)	208-230/60/3
Minimum Circuit Ampacity (A)	38.6
Maximum Overcurrent Protection (A)	60
Compressor RLA (A)	28
No. of Compressors	1
Outdoor Fan Power Input (W)	260/260
Outdoor Fan FLA (A)	1.8/1.8

##### GENERAL DATA

Connection Ratio	50% to 130%
Max. # of Indoor Units	20 units
Sound Pressure Level (dBA)	60
Outdoor Fan Air Volume (cfm)	7215
Refrigerant type	R-410A
Factory refrigerant charge	28 lbs. 11 oz.

##### DIMENSIONS

Unit Dimensions (in)	Height	63-1/8
	Width	49-1/2
	Depth	30-1/8
Liquid Pipe Connection (in)		5/8
Gas Pipe Connection (in)		1-1/8
Shipping/Net Weight (lb)		672/635



#### WARRANTY

- Compressor - 10 year limited warranty
  - All other components - 10 year limited warranty
- \*See warranty for details

#### NOTES

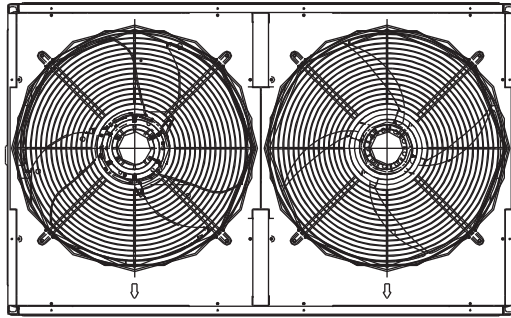
1. Cooling and Heating Capacity data is rated at the following conditions:  
Cooling: 80°FDB / 67°FWB Indoor, 95°FDB Outdoor  
Heating: 70°FDB Indoor, 47°FDB / 43°FWB Indoor
2. Complies with AHRI 1230-2014 testing standards
3. Operating Voltage Range: 191V to 247V



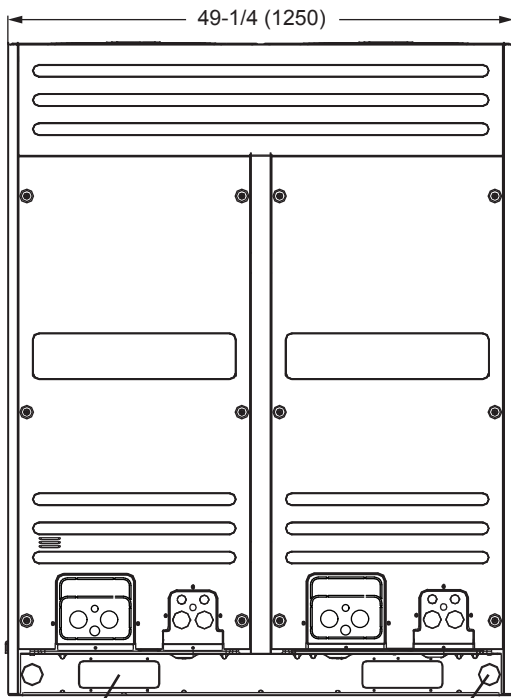


SUBMITTAL DATA - **OUTDOOR UNIT**  
**VRA120H4M-2Y**  
**VRF HEAT RECOVERY**

**DIMENSIONS - INCHES (MM)**

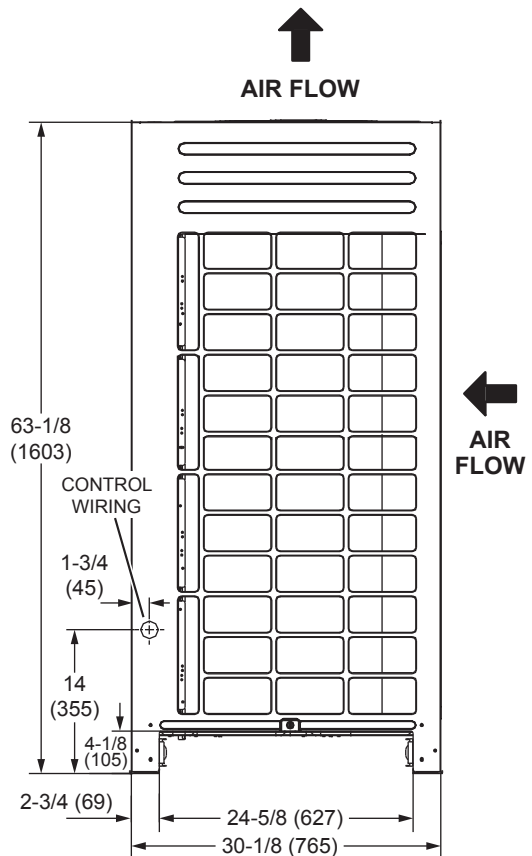


**TOP VIEW**



FORKLIFT SLOT (BOTH SIDES)      LIFTING HOLES (FOR RIGGING)

**FRONT VIEW**



**AIR FLOW** (upward arrow)

**AIR FLOW** (leftward arrow)

63-1/8 (1603)

CONTROL WIRING

1-3/4 (45)

14 (355)

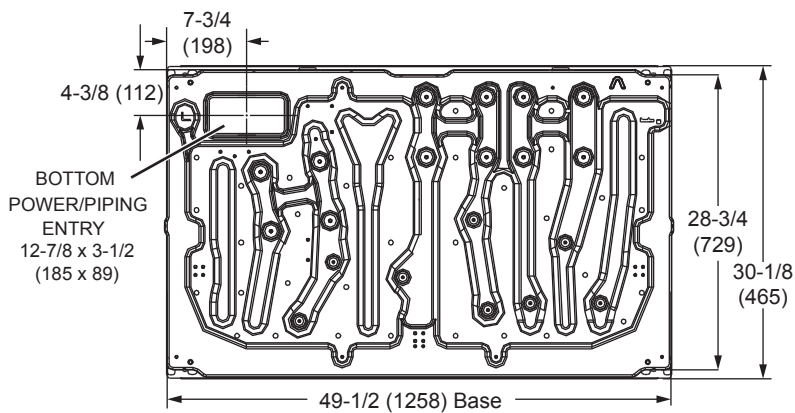
4-1/8 (105)

2-3/4 (69)

24-5/8 (627)

30-1/8 (765)

**SIDE VIEW**



7-3/4 (198)

4-3/8 (112)

BOTTOM POWER/PIPING ENTRY 12-7/8 x 3-1/2 (185 x 89)

28-3/4 (729)

30-1/8 (465)

49-1/2 (1258) Base

**BASE VIEW**