



# SUBMITTAL DATA - **OUTDOOR UNIT**

## **VRA360H4M-2Y**

### **VRA120H4M-2Y + VRA120H4M-2Y + VRA120H4M-2Y**

#### **VRF HEAT RECOVERY**

**Job:** \_\_\_\_\_  
**Location:** \_\_\_\_\_  
**Schedule No.:** \_\_\_\_\_  
**System Designation:** \_\_\_\_\_

**Engineer:** \_\_\_\_\_  
**Architect:** \_\_\_\_\_  
**Date:** \_\_\_\_\_  
**For:** Reference Approval Review Construction

### FEATURES

- Three-pipe heat recovery
- Split coil heat exchanger providing continuous heating during defrost
- Hinged electrical box for ease of maintenance
- High efficiency DC Inverter scroll compressor
- Intelligent Duty Cycle operation
- Night Silent operation

### WARRANTY

- Compressor - 10 year limited warranty
  - All other components - 10 year limited warranty
- \*See warranty for details

### SPECIFICATIONS

#### PERFORMANCE

Cooling Capacity <sup>1</sup> (Btu/h)	Nominal	360,000
	Rated <sup>2</sup>	344,000
EER	Ducted	9.90
	Non-Ducted	9.30
IEER	Ducted	18.50
	Non-Ducted	18.50
Simultaneous Heating and Cooling Efficiency (SCHE)	Ducted	20.20
	Non-Ducted	19.60
Heating Capacity <sup>1</sup> (Btu/h)		354,000
	COP47	Ducted
Non-Ducted		3.20
COP17	Ducted	2.10
	Non-Ducted	2.05

#### ELECTRICAL DATA

Power Supply <sup>3</sup> (V/Hz/Ph)	208-230/60/3
Minimum Circuit Ampacity (A)	38.6+38.6+38.6
Maximum Overcurrent Protection (A)	60 + 60 + 60
Compressor RLA (A)	28 + 28 + 28
No. of Compressors	1 + 1 + 1
Outdoor Fan Power Input (W)	(3) 260/260
Outdoor Fan FLA (A)	(3) 1.8/1.8

#### GENERAL DATA

Connection Ratio	50% to 130%
Max. # of Indoor Units	60 units
Sound Pressure Level (each unit) (dBA)	65
Outdoor Fan Air Volume (cfm)	(3) 7215
Refrigerant type	R-410A
Factory refrigerant charge (each unit)	28 lbs. 11 oz.



#### DIMENSIONS (each unit)

Unit Dimensions (in)	Height	63-1/8
	Width	49-1/2
	Depth	30-1/8
Liquid Pipe Connection (in)		5/8
Gas Pipe Connection (in)		1-1/8
Gas Balance Pipe Connection (in)	H.P.	7/8
	L.P.	3/4
Shipping Weight (lb)		672
Net Weight (lb)		635

#### NOTES

- Cooling and Heating Capacity data is rated at the following conditions:  
 Cooling: 80°FDB / 67°FWB Indoor, 95°FDB Outdoor  
 Heating: 70°FDB Indoor, 47°FDB / 43°FWB Indoor
- Complies with AHRI 1230-2014 testing standards
- Operating Voltage Range: 191V to 247V





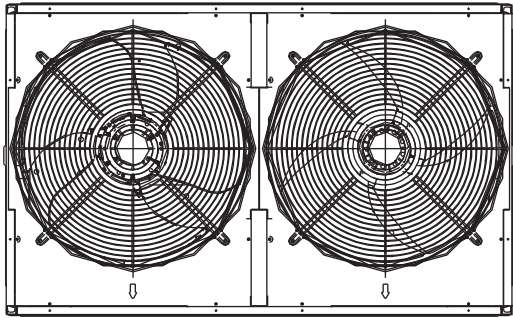
SUBMITTAL DATA - **OUTDOOR UNIT**

**VRA360H4M-2Y**

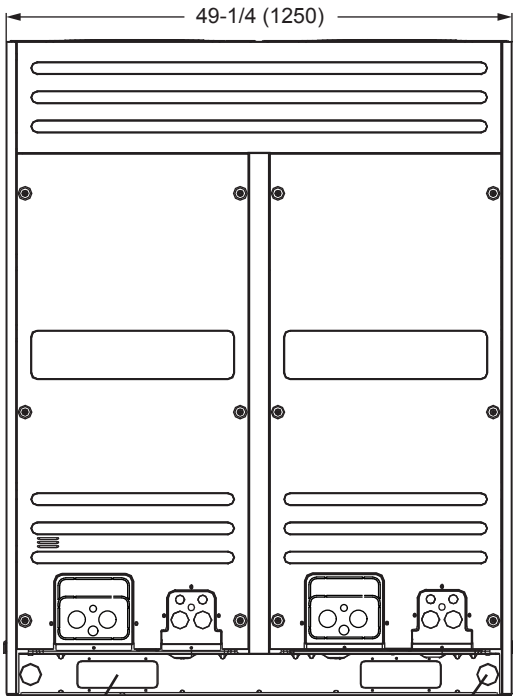
**VRA120H4M-2Y + VRA120H4M-2Y + VRA120H4M-2Y**

**VRF HEAT RECOVERY**

**DIMENSIONS - INCHES (MM)**



**TOP VIEW**



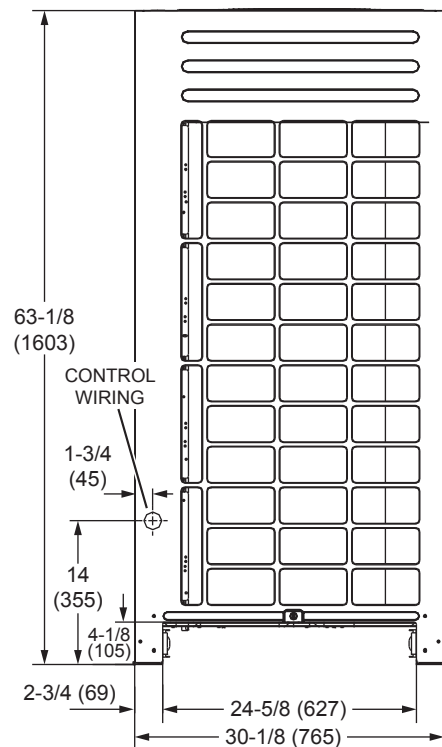
FORKLIFT SLOT  
(BOTH SIDES)

LIFTING HOLES  
(FOR RIGGING)

**FRONT VIEW**

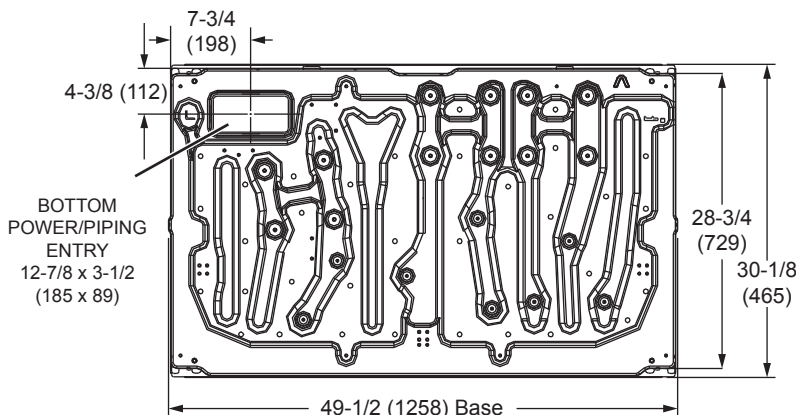


**AIR FLOW**



**AIR FLOW**

**SIDE VIEW**



BOTTOM  
POWER/PIPING  
ENTRY  
12-7/8 x 3-1/2  
(185 x 89)

**BASE VIEW**

DISCLAIMER – Due to Lennox' ongoing commitment to quality, Specifications, Ratings and Dimensions subject to change without notice and without incurring liability. Improper installation, adjustment, alteration, service or maintenance can cause property damage or personal injury. Installation and service must be performed by a qualified installer and servicing agency.