



SUBMITTAL DATA - **OUTDOOR UNIT**

VRA384H4M-2Y

VRA120H4M-2Y + VRA120H4M-2Y + VRA144H4M-2Y

VRF HEAT RECOVERY

Job: _____

Location: _____

Schedule No.: _____

System Designation: _____

Engineer: _____

Architect: _____

Date: _____

For: Reference Approval Review Construction

FEATURES

- Three-pipe heat recovery
- Split coil heat exchanger providing continuous heating during defrost
- Hinged electrical box for ease of maintenance
- High efficiency DC Inverter scroll compressor
- Intelligent Duty Cycle operation
- Night Silent operation

WARRANTY

- Compressor - 10 year limited warranty
 - All other components - 10 year limited warranty
- *See warranty for details

SPECIFICATIONS

PERFORMANCE

| | | |
|--|--------------------|---------|
| Cooling Capacity ¹ (Btu/h) | Nominal | 384,000 |
| | Rated ² | 366,000 |
| EER | Ducted | 9.50 |
| | Non-Ducted | 9.30 |
| IEER | Ducted | 18.00 |
| | Non-Ducted | 18.00 |
| Simultaneous Heating and Cooling Efficiency (SCHE) | Ducted | 23.80 |
| | Non-Ducted | 24.00 |
| Heating Capacity ¹ (Btu/h) | | 380,000 |
| | COP47 | Ducted |
| Non-Ducted | | 3.20 |
| COP17 | Ducted | 2.05 |
| | Non-Ducted | 2.05 |

ELECTRICAL DATA

| | |
|-------------------------------------|-----------------------|
| Power Supply ³ (V/Hz/Ph) | 208-230/60/3 |
| Minimum Circuit Ampacity (A) | 38.6 +38.6 +53.8 |
| Maximum Overcurrent Protection (A) | 60 + 60 + 70 |
| Compressor RLA (A) | (2) 28 + 24/16 |
| No. of Compressors | 1 + 1 + 2 |
| Outdoor Fan Power Input (W) | (2) 260/260 + 540/540 |
| Outdoor Fan FLA (A) | (2) 1.8/1.8 + 3.9/3.9 |

GENERAL DATA

| | |
|--|-----------------|
| Connection Ratio | 50% to 130% |
| Max. # of Indoor Units | 63 units |
| Sound Pressure Level (each unit) (dBA) | 63 |
| Outdoor Fan Air Volume (cfm) | (2) 7215 + 8685 |
| Refrigerant type | R-410A |
| Factory refrigerant charge (each unit) | 28 lbs. 11 oz. |



DIMENSIONS (each unit)

| | | |
|----------------------------------|--------|---------------|
| Unit Dimensions (in) | Height | 63-1/8 |
| | Width | 49-1/2 |
| | Depth | 30-1/8 |
| Liquid Pipe Connection (in) | | 5/8 |
| Gas Balance Pipe Connection (in) | | 3/4 |
| Gas Pipe Connection (in) | H.P. | 7/8 |
| | L.P. | 1-1/8 |
| Shipping Weight (lb) | | (2) 672 + 778 |
| Net Weight (lb) | | (2) 635 + 741 |

NOTES

1. Cooling and Heating Capacity data is rated at the following conditions:
Cooling: 80°FDB / 67°FWB Indoor, 95°FDB Outdoor
Heating: 70°FDB Indoor, 47°FDB / 43°FWB Indoor
2. Complies with AHRI 1230-2014 testing standards
3. Operating Voltage Range: 191V to 247V





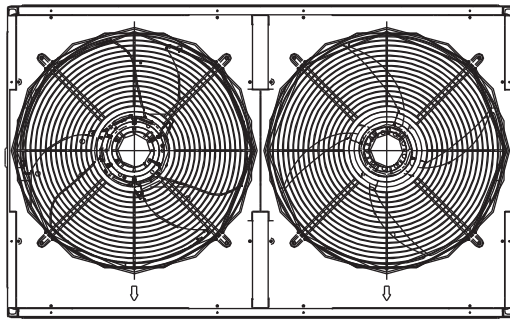
SUBMITTAL DATA - **OUTDOOR UNIT**

VRA384H4M-2Y

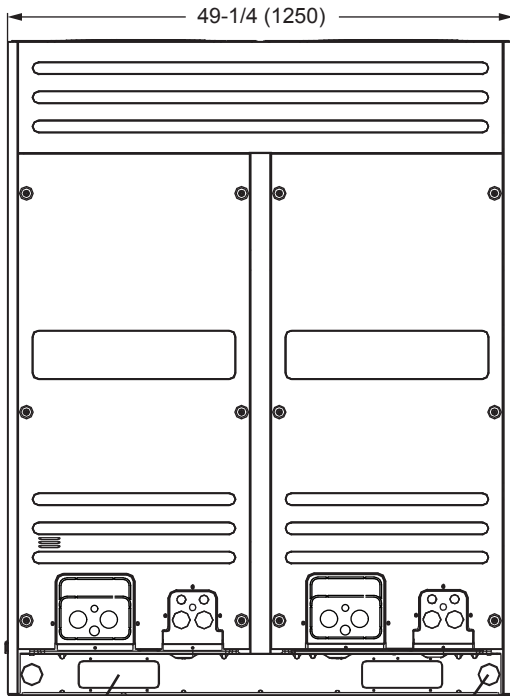
VRA120H4M-2Y + VRA120H4M-2Y + VRA144H4M-2Y

VRF HEAT RECOVERY

DIMENSIONS - INCHES (MM)



TOP VIEW



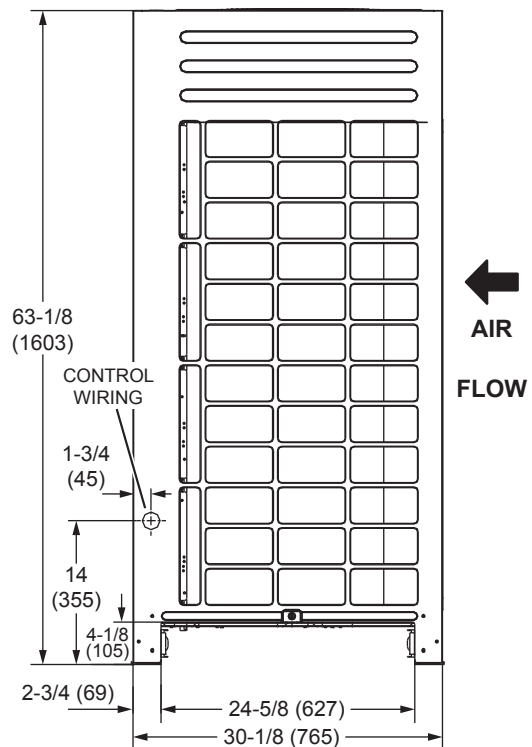
FORKLIFT SLOT
(BOTH SIDES)

LIFTING HOLES
(FOR RIGGING)

FRONT VIEW

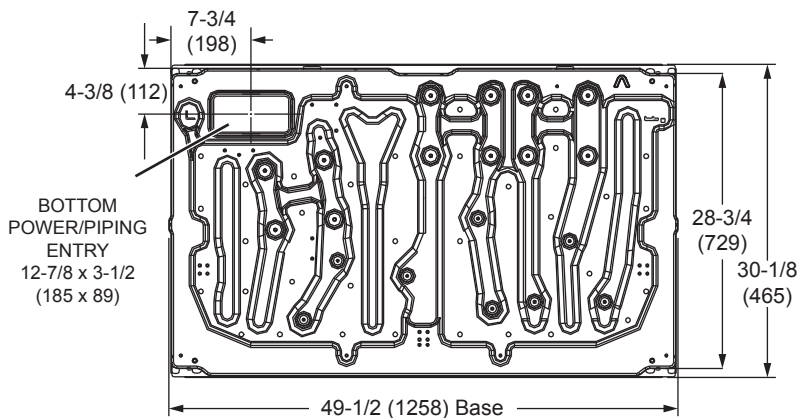


AIR FLOW



AIR FLOW

SIDE VIEW



BOTTOM
POWER/PIPING
ENTRY
12-7/8 x 3-1/2
(185 x 89)

BASE VIEW

DISCLAIMER – Due to Lennox' ongoing commitment to quality, Specifications, Ratings and Dimensions subject to change without notice and without incurring liability. Improper installation, adjustment, alteration, service or maintenance can cause property damage or personal injury. Installation and service must be performed by a qualified installer and servicing agency.