



# SUBMITTAL DATA - INDOOR UNIT

## VMDB007H4-2P

VRF HEAT PUMP & HEAT RECOVERY

**Job:** \_\_\_\_\_

**Location:** \_\_\_\_\_

**Schedule No.:** \_\_\_\_\_

**System Designation:** \_\_\_\_\_

**Engineer:** \_\_\_\_\_

**Architect:** \_\_\_\_\_

**Date:** \_\_\_\_\_

**For:** Reference Approval Review Construction

## Medium Static Ducted Indoor Unit

### FEATURES

- Pre Heat Function
- Auto Addressing
- Auto Restart
- Integral Condensate Pump
- Electronic Expansion Valve
- ECM Motor
- Flare Connections
- LED Display
- Foldable Return Air Filter
- Refrigerant R-410A
- Nine capacity sizes from 7,000 to 48,000 Btu/h

### SPECIFICATIONS

#### PERFORMANCE

Cooling Capacity <sup>1</sup> (Btu/h)		7,000
Heating Capacity <sup>1</sup> (Btu/h)		8,000
Airflow (CFM)	High	260
	Medium	220
	Low	220
External Static Pressure (in. WC)		0.32
Sound Pressure (dBA)	High	33.2
	Medium	32.1
	Low	31.8

#### ELECTRICAL DATA

Power Supply (V/Hz/Φ)	208-230/60/1
Minimum circuit ampacity (MCA)	1.25
Max. Overcurrent Protection (MOCP)	15
Cooling Power Input <sup>2</sup> (W)	35
Cooling Rated current (A)	0.5
Heating Power Input <sup>2</sup> (W)	30
Heating Rated current (A)	0.5
Indoor Fan Motor Input (W)	47

#### DIMENSIONS

Unit Dimensions (in)	Height	8-1/4
	Width	36-1/4
	Depth	17-3/4
Liquid Pipe Connection (in)		1/4
Gas Pipe Connection (in)		1/2
Condensate drain connection (in)		1
Unit Shipping Weight (lb)		58
Unit Net Weight (lb)		51



### OPTIONAL ACCESSORIES

<input type="checkbox"/> Non-Programmable Controller	V0STAT54P
<input type="checkbox"/> Programmable Controller	V0STAT51P
<input type="checkbox"/> Infrared Wireless Controller	V0STAT52P-1
<input type="checkbox"/> Infrared Sensor	V0SNSR78P-1
<input type="checkbox"/> Remote Sensor	V0SNSR00P-1
<input type="checkbox"/> HHE Relay Kit	V0CTRL92P-1
<input type="checkbox"/> Hotel Keycard Interface	V0CTRL88P-1

### NOTES

1. Cooling and Heating capacity data is rated at the following conditions:  
Cooling: 80°FDB / 67°FWB Indoor, 95°FDB Outdoor  
Heating: 70°FDB Indoor, 47°FDB / 43°FWB Outdoor
2. Power Input values are rated at high fan speed.

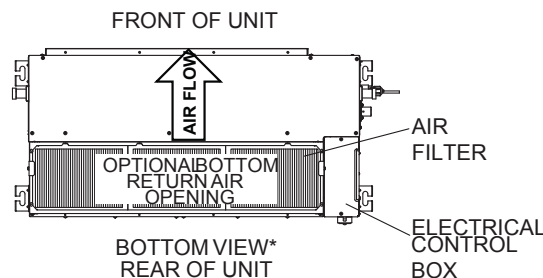
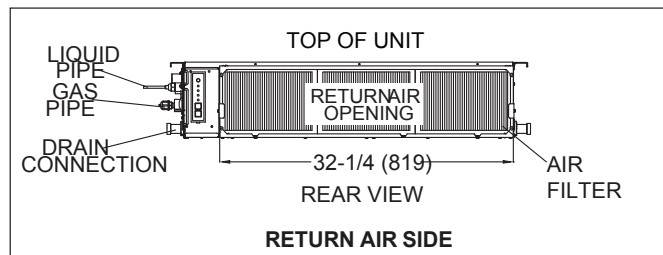
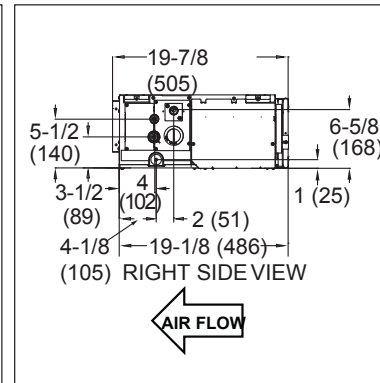
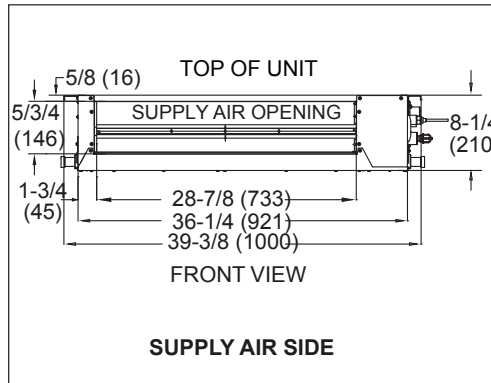
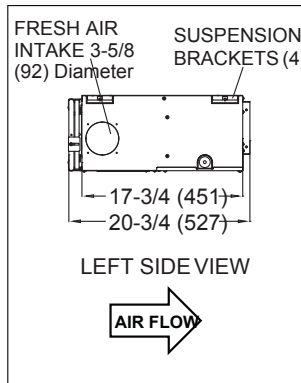
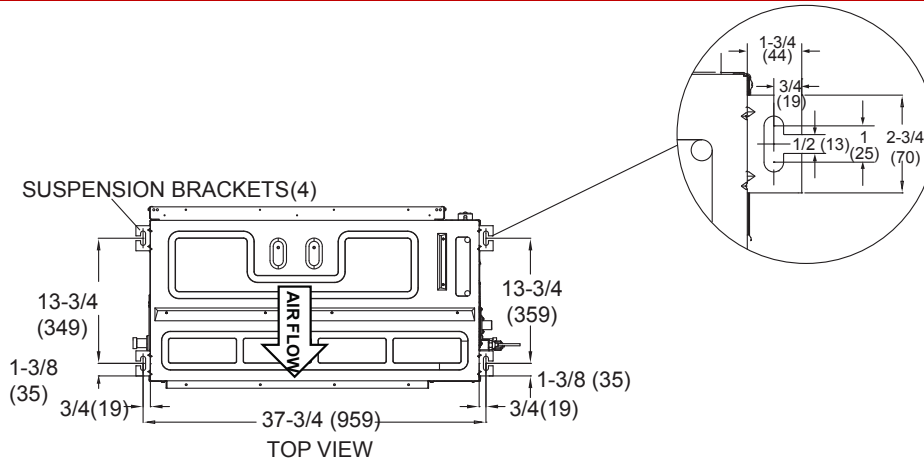


NOTE – Due to Lennox' ongoing commitment to quality, Specifications, Ratings and Dimensions subject to change without notice and without incurring liability. Improper installation, adjustment, alteration, service or maintenance can cause property damage or personal injury. Installation and service must be performed by a qualified installer and servicing agency.



SUBMITTAL DATA - INDOOR UNIT  
**VMDB007H4-2P**  
 VRF HEAT PUMP & HEAT RECOVERY

**DIMENSIONAL DRAWINGS - INCHES (MM)**



\*NOTE - Unit orientation reversed to show alternative filter location and return air path on bottom of unit.

NOTE - Due to Lennox' ongoing commitment to quality, Specifications, Ratings and Dimensions subject to change without notice and without incurring liability. Improper installation, adjustment, alteration, service or maintenance can cause property damage or personal injury. Installation and service must be performed by a qualified installer and servicing agency.