

VARIABLE REFRIGERANT FLOW SYSTEMS



PRODUCT SPECIFICATIONS

VRF
VPA MINI (-2)
Heat Pump Outdoor Units - 60HZ

Bulletin No. 210781
 March 2018
 Supersedes August 2016



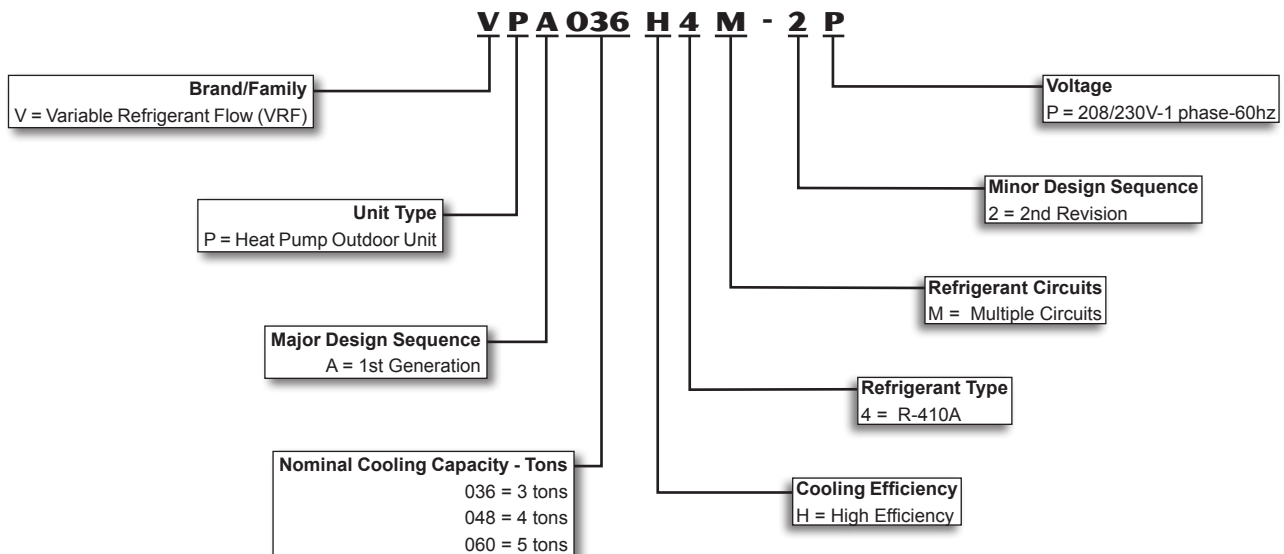
CONTENTS

Branch Box 8
 Branch Box Dimensions 8
 Branch Pipes 9
 Correction Factors - Cooling And Heating 40
 Correction Factors - Defrost Derate Capacity 40
 Dimensions 6
 Electrical Data 5
 Features/Benefits 2
 Installation Clearances 7
 Model Number Identification 1
 Piping Selection 10
 Sound Data 5
 Specifications 4

CAPACITY TABLES

Cooling Capacity - VPA036H4 16
 Heating Capacity - VPA036H4 21
 Cooling Capacity - VPA048H4 24
 Heating Capacity - VPA048H4 29
 Cooling Capacity - VPA060H4 32
 Heating Capacity - VPA060H4 37

MODEL NUMBER IDENTIFICATION



FEATURES/BENEFITS

OVERVIEW

Variable-capacity outdoor units modulate the amount of refrigerant needed based on cooling and heating demands allowing for reduced energy usage at partial load conditions.

Heat Pump units provide either heating or cooling to all indoor units.

APPROVALS

AHRI Certified to AHRI Standard 210/240-2008.

Units are ETL certified for the U.S. and Canada.

WARRANTY

Compressor and all Covered Components - Limited ten years for qualifying installations.

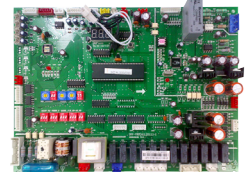
See Warranty Certificate for details.

FEATURES

- **Capacity** - Sizes from 3 to 5 tons. Up to 9 indoor units can be connected to one refrigeration system.
- **Compressor** - Twin rotary compressor features high efficiency operation. Balanced for reduced vibration and quiet operation. Brushless DC motor uses powerful Neodymium magnets, which are approximately 15-20 times stronger than ferrite magnets used in conventional AC compressors. Designed for R-410A refrigerant.
- **DC Inverter Control** - Provides continuous operation, while adjusting capacity according to room temperature.
- **Direct Current Outdoor Fan Motor** - Outdoor unit control varies the speed of the outdoor fan motor based on load and tube temperature for minimum energy consumption. Standard on all outdoor unit models.
- **Outdoor Fan Grille** - Enhanced design reduces sound levels.
- **Outdoor Fan Blade Profile** - Aerodynamically designed fan blade increases the airflow rate and reduces vibration and sound.
- **Operation Range** - System will operate at temperatures ranging from 5°F to 118°F in cooling mode and 5°F to 80°F in heating mode.
- **High Performance Outdoor Coil** - Special fin design pattern reduces air resistance and increases heat transfer. Rifled tubing provides superior refrigerant flow resulting in maximum heat transfer. Hydrophilic coating reduces condensate build-up and improves water drainage from coil, enhancing heat transfer properties.
- **Flexible Piping Design** - Supports extended refrigerant piping and drop lengths.



- **Four-Way Valve Control** - Valve effects a rapid change in direction of refrigerant flow resulting in quick changeover from cooling to heating and vice versa.
- **Electronic Expansion Valve** - Furnished on all models.
- **Refrigerant Line and Wiring Connections** - Refrigerant lines and wiring connection entry is available on the front, right side, back side and bottom of cabinet.
- **Condensate Drain Outlets** - furnished on unit base.
- **High Pressure Switch** - Shuts off unit if abnormal operating conditions cause the discharge pressure to rise above setting. Protects compressor from excessive discharge pressure.
- **Low Pressure Switch** - Shuts off unit if suction pressure falls below setting. Provides loss of charge and freeze-up protection.
- **Auto and Remote Addressing** - The outdoor unit can automatically distribute addresses to indoor units without any manual settings. An optional wireless remote control (not furnished) can be used to inquire and modify each indoor unit's address.
- **Unit Control Board** - Contains all necessary relays and controls to setup, maintain and service the system. LED readout aids in system setup, maintenance and servicing. LEDs indicate power supply, unit operation, network operation, inverter module operation.
- **Convenient Communication Wiring** - One set of communication wire is shared among indoor units, outdoor units and the network.
- **Intelligent Soft Start** - Gradually ramps up compressor to speed to conserve energy.
- **Pulse Meter Connections** - Real-time monitoring of energy consumption through the Lennox VRF manager (LVM) Touchscreen Centralized Controller.
NOTE - Pulse meter is not furnished and must be field provided.
- **Precise Oil Control Technology** - High efficiency centrifugal oil separator (efficiency up to 99%) keeps oil from contaminating high pressure and high temperature refrigerant gas and returns oil to compressor.
- **Control Box** - Contains main control board, DC inverter module, inverter reactor, filter board, outdoor power supply control, DC fan control module, contactor, power transformers and terminal block.
- **Built-In Base Pan Heater** - U-shaped heater protects base pan from freezing during low ambient heating operation.



FEATURES/BENEFITS

OPTIONAL ACCESSORIES

Hail Guard Kits V8GARD11S11 (14D75)

Flat design allows outdoor modules to be placed close together.

Painted to match the outdoor unit.

Two guards per box, order one kit per outdoor unit module.

Dimensions (H x W):

Back - 48-7/8 x 25-3/8 in. (1241 x 644 mm)

Side - 48-7/8 x 9 in. (1241 x 229 mm)

SPECIFICATIONS

Model No.			VPA036H4		VPA048H4		VPA060H4	
Nominal Size - Tons			3		4		5	
¹ AHRI Ratings	Indoor System Type		Ducted	Non-Ducted	Ducted	Non-Ducted	Ducted	Non-Ducted
	Cooling - Btuh		36,000	36,000	47,500	47,500	60,000	60,000
	High Temp. Heating - Btuh		40,000	40,000	52,500	52,500	66,000	66,000
	Low Temp. Heating - Btuh		25,000	25,000	34,000	34,000	42,000	42,000
	EER		11.30	10.70	9.30	8.90	9.00	9.50
	SEER		17.30	17.20	17.20	17.00	17.00	17.20
	HSPF (Region IV)		9.20	8.90	9.70	8.90	9.80	9.90
	AHRI Reference Number		201862948	201862947	201862950	201862949	201862952	201862951
Sound Pressure Level (dBA)	High speed	Cooling	58		60		60	
		Heating	61		62		62	
	Low speed	Cooling	41		41		44	
		Heating	44		44		44	
Refrigerant	Type	R-410A		R-410A		R-410A		
	Charge furnished	8 lbs. 6 oz.		8 lbs. 6 oz.		8 lbs. 6 oz.		
Compressor	Type	Twin Rotor		Twin Rotor		Twin Rotor		
	No. of Compressors	1		1		1		
	Crankcase heater - W	27		27		27		
	Refrigerant oil type	RB74AF		RB74AF		RB74AF		
	Refrigerant oil charge	47.3 oz. + 8.5 oz.		47.3 oz. + 8.5 oz.		47.3 oz. + 8.5 oz.		
Connections - in.	Liquid pipe (flare)	3/8		3/8		3/8		
	Gas pipe (flare)	3/4		3/4		3/4		
	Total refrigerant pipe length - ft.	328		328		328		
	Largest pipe length (actual) - ft.	148		148		196		
	Max. difference in level of indoor unit - ft.	26		26		26		
Outdoor Fan	Quantity, Type and Material	(2) Axial ASG20		(2) Axial ASG20		(2) Axial ASG20		
	Diameter - in.	20		20		20		
	Total air volume - cfm	4100		4100		4100		
Outdoor Coil	Number of rows	2		2		2		
	Tube pitch (a) × row pitch (b) - in.	7/8 x 3/4		7/8 x 3/4		7/8 x 3/4		
	Fin spacing - in.	1/16		1/16		1/16		
	Fin type	Hydrophilic aluminium		Hydrophilic aluminium		Hydrophilic aluminium		
	Tube outside diameter - in.	5/16		5/16		5/16		
	Tube type	Rifled copper tubing		Rifled copper tubing		Rifled copper tubing		
	Coil dimension (L × H) - in.	50-1/4 x 34-1/4		50-1/4 x 34-1/4		50-1/4 x 34-1/4		
	Quantity	1		1		1		
	Number of circuits	11		11		11		
Design Pressure	PSIG	650/250		650/250		650/250		
Shipping Data	Net/Shipping weight	220/243		220/243		220/243		
Connectable Indoor Units	Total capacity (%)	45 to 130		45 to 130		45 to 130		
	Maximum quantity	5 units		7 units		9 units		

NOTE - Per AHRI, the certified ratings for VRF systems are valid for all combinations of indoor units with the specific outdoor units listed above and in the AHRI Directory of Certified Equipment. Please visit <http://www.ahridirectory.org> for further details and latest updates.

¹ Ratings are AHRI certified to AHRI Standard 210/240-2008;

• Cooling Ratings - 80°F dry bulb/67°F wet bulb entering indoor coil air and 95°F wet bulb/75°F dry bulb outdoor air temperature.

• High Temperature Heating Ratings - 70°F dry bulb/60°F wet bulb entering indoor coil air and 47°F dry bulb/43°F wet bulb outdoor air temperature.

• Low Temperature Heating Ratings - 70°F dry bulb/60°F wet bulb entering indoor coil air and 17°F dry bulb/15°F wet bulb outdoor air temperature.

ELECTRICAL DATA

Model No.		VPA036H4	VPA048H4	VPA060H4
	Line voltage data - 60 hz - 1 phase	208/230V	208/230V	208/230V
	¹ Maximum Overcurrent Protection (amps)	50	60	60
	² Minimum circuit ampacity	33	38	40
Compressor	No. of compressors	1	1	1
	Rated load amps	24.3	28.2	30.0
Outdoor Fan Motor	Motor type	DC	DC	DC
	No. of motors	2	2	2
	Full load amps	(2) 1.1	(2) 1.1	(2) 1.1
	Output - W	(2) 85	(2) 85	(2) 85

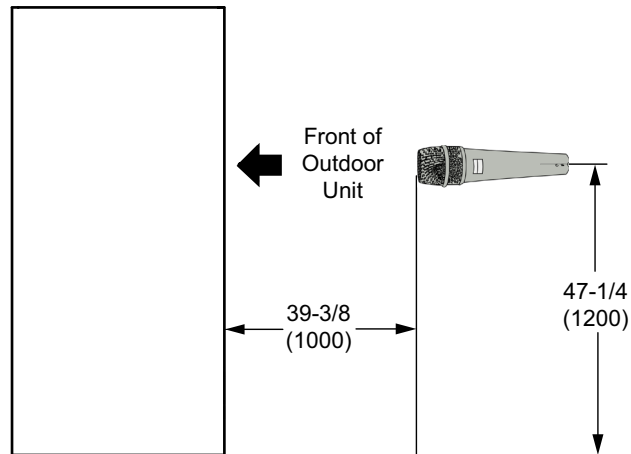
NOTE - Extremes of operating range are plus and minus 10% of line voltage.

¹ HACR type circuit breaker or fuse.

² Refer to National or Canadian Electrical Code manual to determine wire, fuse and disconnect size requirements.

SOUND DATA

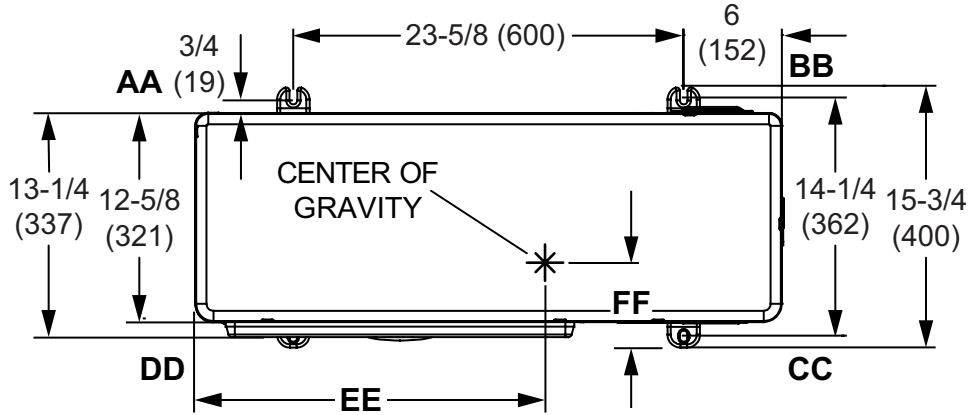
SOUND PRESSURE LEVELS



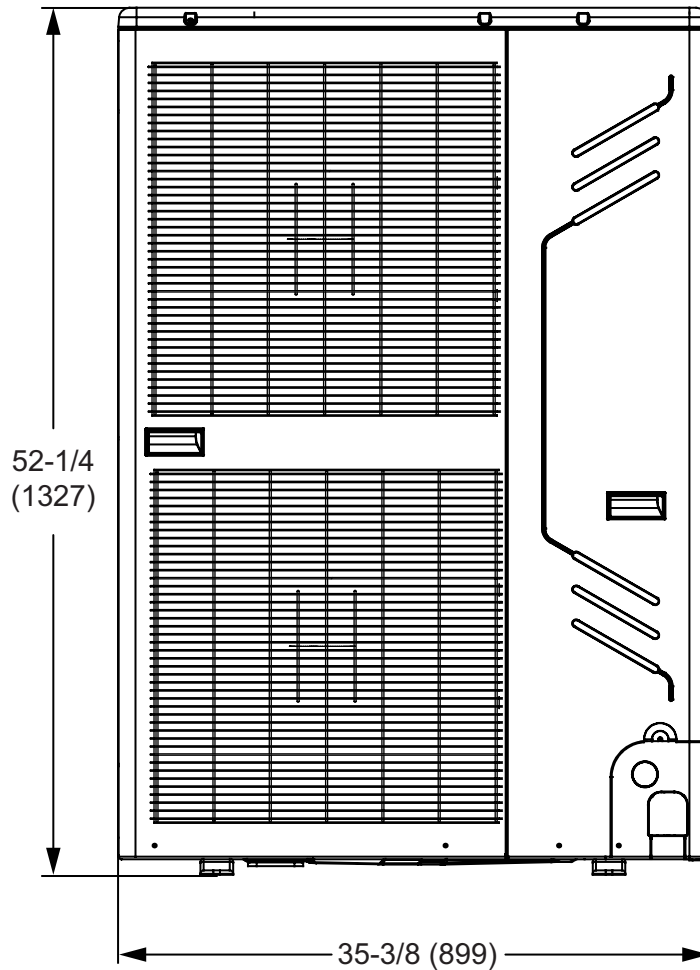
Model		Sound Pressure Level (dBA)	
		High Speed	Low Speed
VPA036H4	Cooling	58	41
	Heating	61	44
VPA048H4	Cooling	60	41
	Heating	62	44
VPA060H4	Cooling	60	44
	Heating	62	44

DIMENSIONS - INCHES (MM)

CORNER WEIGHTS									CENTER OF GRAVITY			
Model No.	AA		BB		CC		DD		EE		FF	
	lbs.	kg	lbs.	kg	lbs.	kg	lbs.	kg	in.	mm	in.	mm
All Models	40	18	63	29	72	33	45	21	21-5/8	549	7-3/8	187



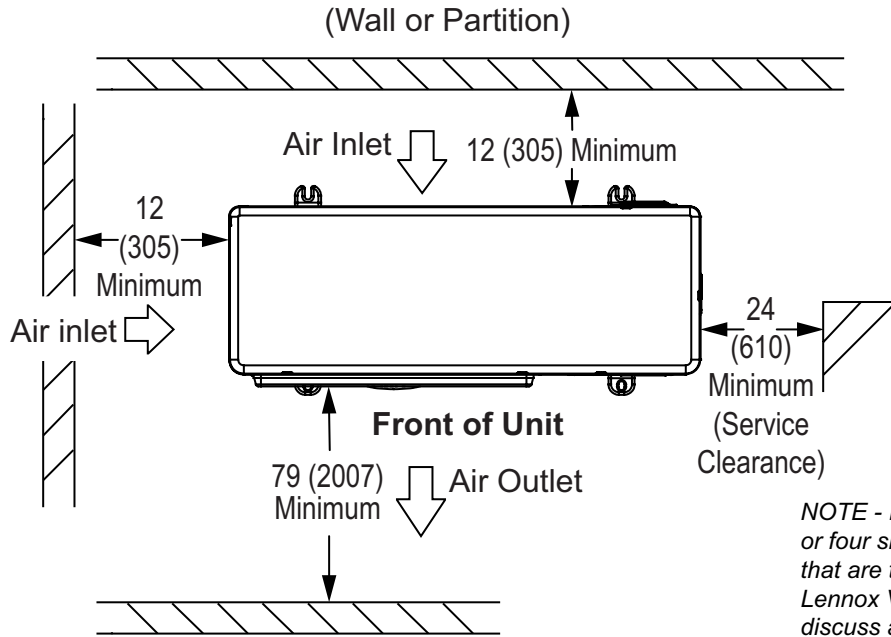
TOP VIEW



FRONT VIEW

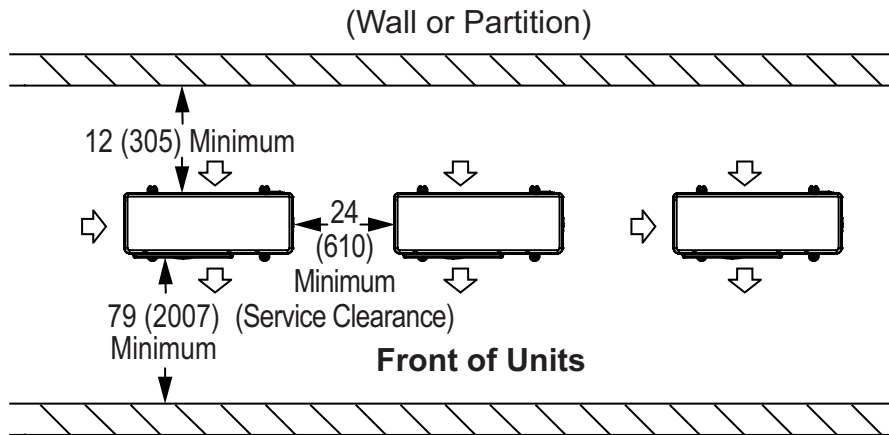
INSTALLATION CLEARANCES - INCHES (MM)

Single Unit Installation

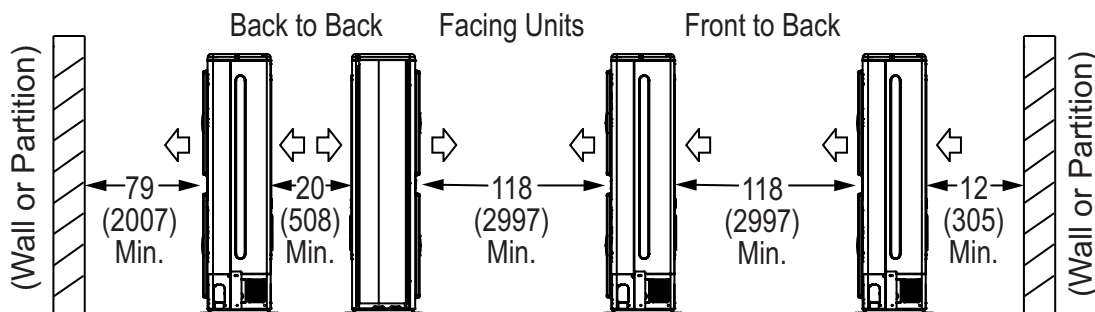


NOTE - 24 in. (610 mm) clearance required on top of unit.

Parallel Units Side by Side



Parallel Units Back to Back, Facing and Front to Back



BRANCH BOX

Branch Box - V8MIDB01 (12A51)

Simplifies connections for outdoor unit refrigerant lines to multiple indoor units.

Flare fittings allow quick and secure line connections.

Can be installed in a ceiling for easy serviceability.

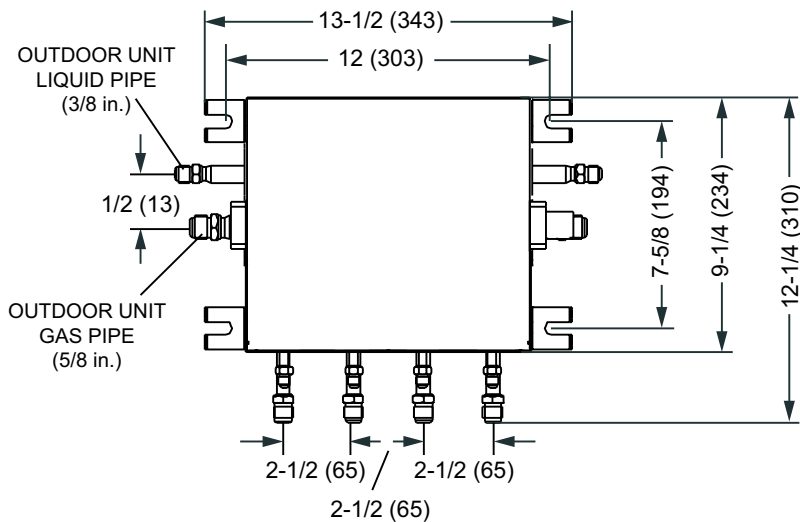
Hanging brackets for suspending unit are furnished

Two adaptor fittings are furnished to convert from 1/4 to 3/8 in. and from 1/2 to 5/8 in.

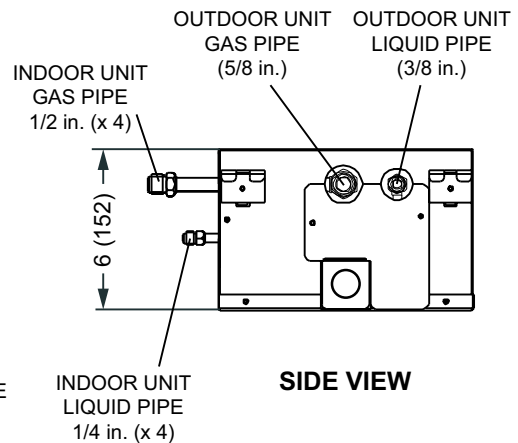
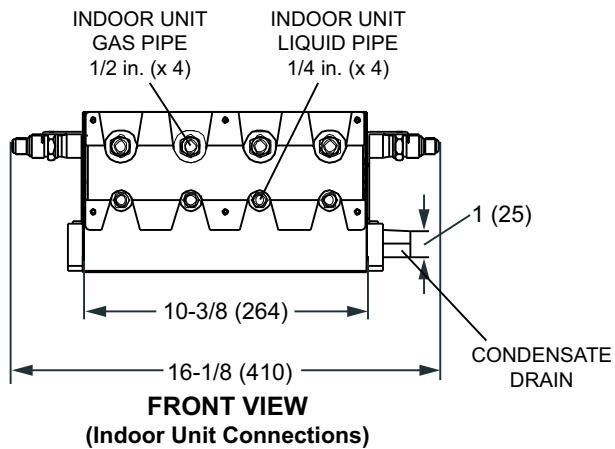
NOTE - Branch boxes cannot be connected in series.



BRANCH BOX DIMENSIONS - INCHES (MM)



TOP VIEW

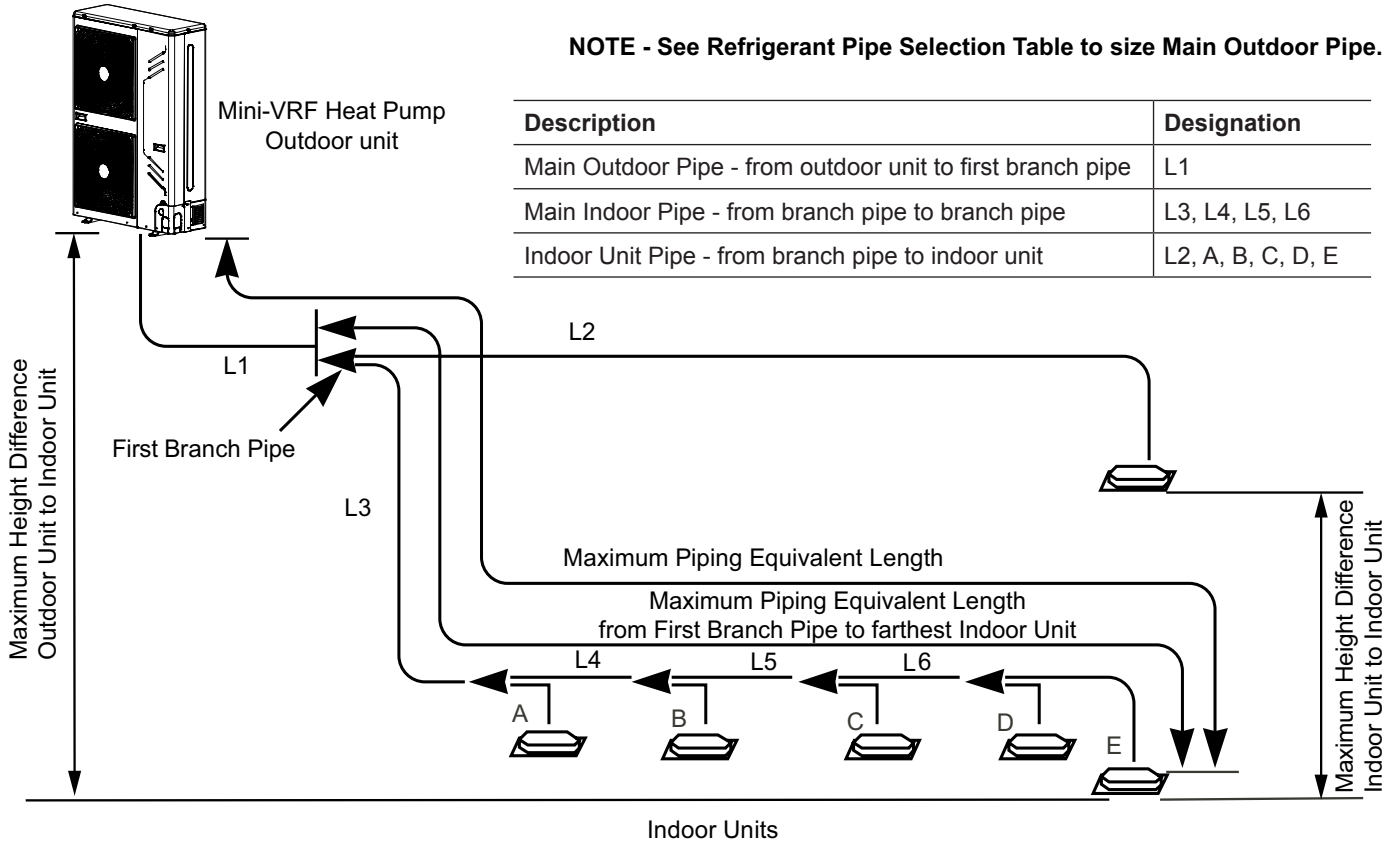


BRANCH PIPES

Name	Gas Side Joints (inch)	Liquid Side Joints (inch)	Insulation Material (furnished)
V8IDBP01			<p>(2 sets)</p>
V8IDBP02			<p>(2 sets)</p>

PIPING SELECTION

Maximum Permitted Refrigerant Pipe Length and Maximum Height Difference - With Branch Pipe



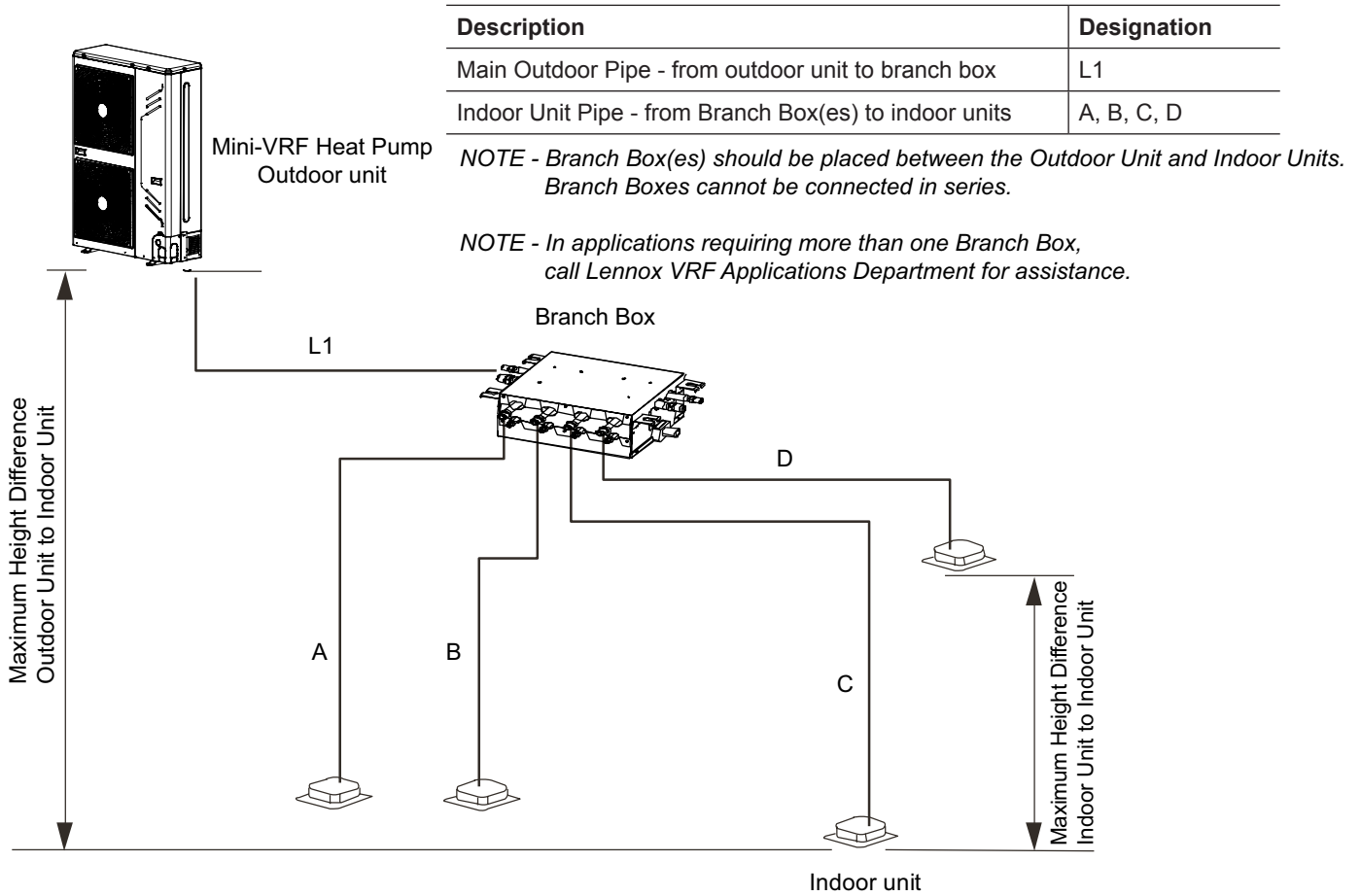
Length and Maximum Height Difference		Maximum Permitted Length	Piping	
Pipe Length	Total Piping Length (Actual)	328 ft. (100 m)	L1+L2+L3+L4+L5+L6 +A+B+C+D+E	
	Maximum Piping Length	Actual Length	148 ft. (45 m) (VPA036-048) 196 ft. (60 m) (VPA060)	
		Equivalent Length	164 ft. (50 m) (VPA036-048) 230 ft. (70 m) (VPA060)	L1+L3+L4+L5+L6+E
	Pipe length (from the first line branch pipe to farthest indoor unit)	65.6 ft. (20 m)	L3+L4+L5+L6+E	
	Pipe length (from the nearest branch pipe)	49.2 ft. (15 m)	L2,A,B,C,D,E	
Maximum Height Difference	Indoor Unit to Outdoor Unit Maximum Height Difference	Outdoor Unit Up	98.4 ft. (30 m)	---
		Outdoor Unit Down	65.6 ft. (20 m)	---
	Indoor Unit to Indoor Unit Maximum Height Difference	26.2 ft. (8 m)	---	

NOTE - Each branch pipe equals 20 in. (508 mm) equivalent straight pipe length.

PIPING SELECTION

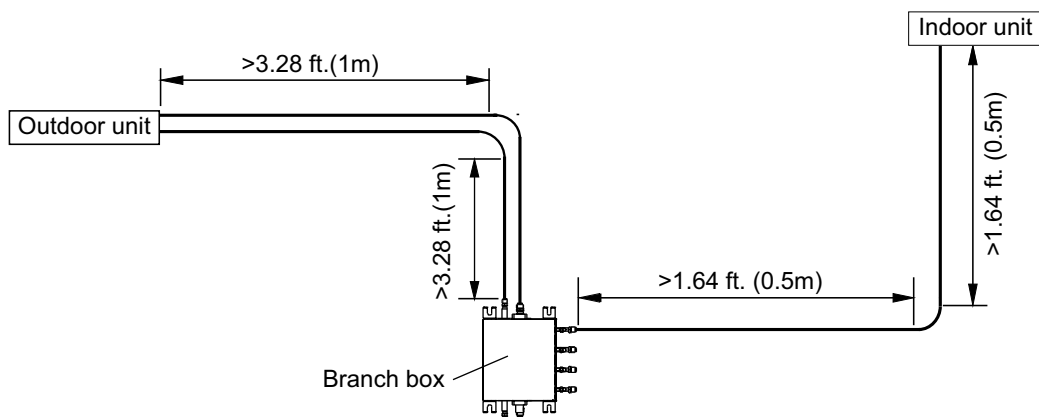
Maximum Permitted Refrigerant Pipe Length and Maximum Height Difference - With Branch Box

NOTE - See Refrigerant Pipe Selection Table to size Main Outdoor Pipe.



Length and Maximum Height Difference		Maximum Permitted Length	Piping	
Pipe Length	Total Piping Length (Actual)	328 ft. (100 m)	L1+A+B+C+D	
	Maximum Piping Length	Actual Length	148 ft. (45 m) (VPA036-048) 196 ft. (60 m) (VPA060)	L1+A, L1+B, L1+C, L1+D
		Equivalent Length	164 ft. (50 m) (VPA036-048) 230 ft. (70 m) (VPA060)	
	Pipe length (from the Branch Box to each indoor unit)	65.6 ft. (20 m)	A, B, C, D ≤ 65.6 ft. (20 m) each	
Maximum Height Difference	Indoor Unit to Outdoor Unit Maximum Height Difference	Outdoor Unit Up	65.6 ft. (20 m)	---
		Outdoor Unit Down	65.6 ft. (20 m)	---
	Indoor Unit to Indoor Unit Maximum Height Difference	26.2 ft. (8 m)	---	

Minimum Length of Straight Pipe Entering and Leaving the Branch Box

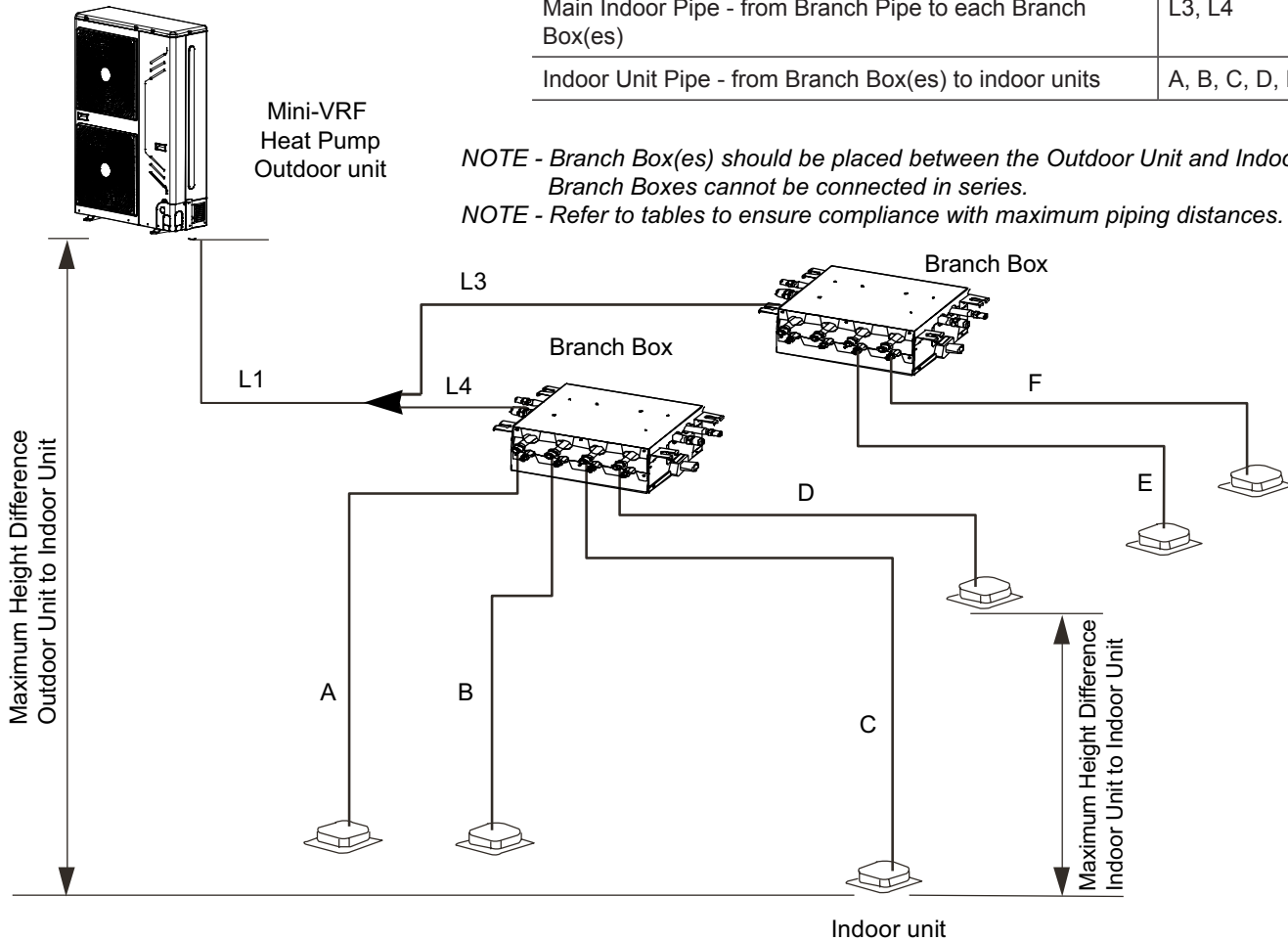


PIPING SELECTION

Maximum Permitted Refrigerant Pipe Length and Maximum Height Difference - With Two Branch Boxes

NOTE - See Refrigerant Pipe Selection Table to size Main Outdoor Pipe.

Description	Designation
Main Outdoor Pipe - from outdoor unit to first Branch Pipe	L1
Main Indoor Pipe - from Branch Pipe to each Branch Box(es)	L3, L4
Indoor Unit Pipe - from Branch Box(es) to indoor units	A, B, C, D, E, F



*NOTE - Branch Box(es) should be placed between the Outdoor Unit and Indoor Units.
Branch Boxes cannot be connected in series.*

NOTE - Refer to tables to ensure compliance with maximum piping distances.

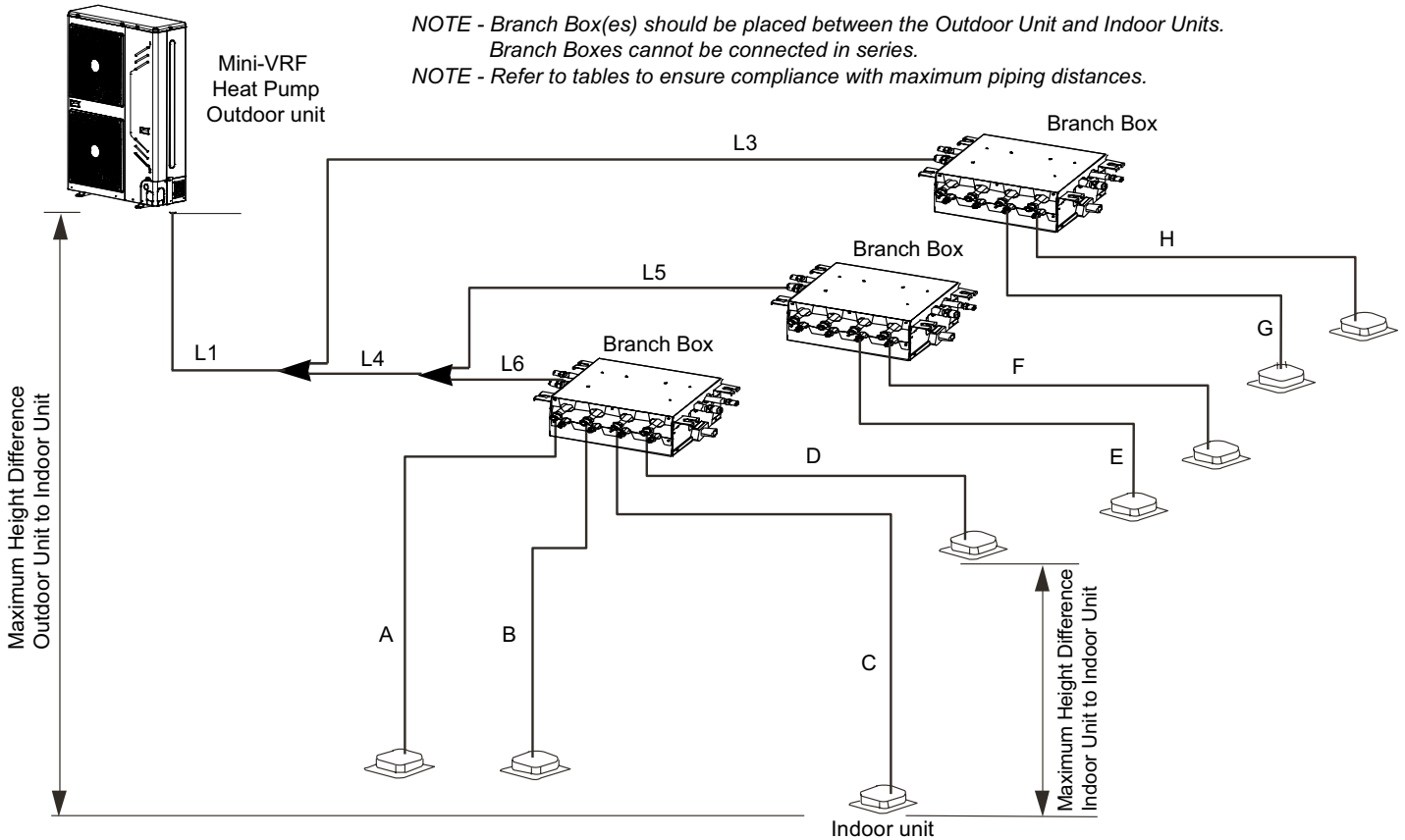
Length and Maximum Height Difference			Maximum Permitted Length	Piping
Pipe Length	Total Piping Length (Actual)		328 ft. (100 m)	L1+A+B+C+D+E+F+L3+L4
	Maximum Piping Length	Actual Length	148 ft. (45 m) (VPA036-048) 196 ft. (60 m) (VPA060)	L1+L4+A, L1+L4+B, L1+L4+C, L1+L4+D, L1+L3+E, L1+L3+F
		Equivalent Length	164 ft. (50 m) (VPA036-048) 230 ft. (70 m) (VPA060)	
	Pipe length from the first Branch Pipe to each indoor unit		65.6 ft. (20 m)	L4+A, L4+B, L4+C, L4+D, L3+E, L3+F ≤ 65.6 ft. (20 m) each
Maximum Height Difference	Indoor Unit to Outdoor Unit Maximum Height Difference	Outdoor Unit Up	65.6 ft. (20 m)	---
		Outdoor Unit Down	65.6 ft. (20 m)	---
	Indoor Unit to Indoor Unit Maximum Height Difference		26.2 ft. (8 m)	---

PIPING SELECTION

Maximum Permitted Refrigerant Pipe Length and Maximum Height Difference - With Three Branch Boxes

NOTE - See Refrigerant Pipe Selection Table to size Main Outdoor Pipe.

Description	Designation
Main Outdoor Pipe - from outdoor unit to first Branch Pipe	L1
Main Indoor Pipe - from Branch Pipe to each Branch Box(es) or Branch Pipe	L3, L4, L5, L6
Indoor Unit Pipe - from Branch Box(es) to indoor units	A, B, C, D, E, F, G, H



Length and Maximum Height Difference		Maximum Permitted Length	Piping	
Pipe Length	Total Piping Length (Actual)	328 ft. (100 m)	L1+A+B+C+D+E+F+G+H+L3+L4+L5+L6	
	Maximum Piping Length	Actual Length	148 ft. (45 m) (VPA036-048) 196 ft. (60 m) (VPA060)	
		Equivalent Length	164 ft. (50 m) (VPA036-048) 230 ft. (70 m) (VPA060)	
	Pipe length from the first Branch Pipe to each indoor unit	65.6 ft. (20 m)	L4+L6+A, L4+L6+B, L4+L6+C, L4+L6+D, L4+L5+E, L4+L5+F, L3+H, L3+G ≤ 65.6 ft. (20 m) each	
Maximum Height Difference	Indoor Unit to Outdoor Unit Maximum Height Difference	Outdoor Unit Up	65.6 ft. (20 m)	---
		Outdoor Unit Down	65.6 ft. (20 m)	---
	Indoor Unit to Indoor Unit Maximum Height Difference		26.2 ft. (8 m)	---

PIPING SELECTION

① MAIN OUTDOOR UNIT PIPE (L1) DIAMETER AND PIPE LENGTH BASED ON TOTAL CAPACITY

Model No.	Capacity	Liquid Pipe Length	Main Gas Pipe Diameter Required	Main Liquid Pipe Diameter Required	Maximum Number of Indoor Units	Total Capacity of Indoor Units Combination Ratio Range	Indoor Unit Branch Pipe
VPA036H4	3 Ton	Less than 148 ft. (45 m)	5/8 in.	3/8 in.	5	45 to 130%	V8IDBP01
		More than 148 ft. (45 m)	3/4 in.				
VPA048H4	4 Ton	Less than 148 ft. (45 m)	5/8 in.	3/8 in.	7	45 to 130%	
		More than 148 ft. (45 m)	3/4 in.				
VPA060H4	5 Ton	Less than 148 ft. (45 m)	3/4 in.	3/8 in.	9	45 to 130%	V8IDBP01
		More than 148 ft. (45 m)	7/8 in.				V8IDBP02

② INDOOR MAIN PIPE SELECTION (L3, L4, L5, L6)

Downstream Indoor Unit Capacity (Btuh)	Gas Pipe Diameter	Liquid Pipe Diameter	Indoor Unit Branch Pipe
A < 56,700	5/8 in.	3/8 in.	V8IDBP01
56,700 ≤ 78,500	3/4 in.	3/8 in.	V8IDBP01

③ INDOOR PIPE SELECTION (L2, A, B, C, D, E)

Indoor Unit Type	Indoor Unit Size	Gas Pipe Diameter	Liquid Pipe Diameter
V22A Compact 360° Cassette	007, 009, 012, 015	1/2 in.	1/4 in.
V33A 360° Cassette	009, 012, 015	1/2 in.	1/4 in.
	018, 024, 030, 036, 048	5/8 in.	3/8 in.
VCFA Ceiling/Floor Mount	012, 015	1/2 in.	1/4 in.
	018, 024, 030, 036, 048, 054	5/8 in.	3/8 in.
VHIA Concealed High Static Ducted	024, 030, 036, 048	5/8 in.	3/8 in.
VMDA Concealed Medium Static Ducted	007, 009, 012, 015	1/2 in.	1/4 in.
	018, 024, 030, 036, 048	5/8 in.	3/8 in.
VVCA Vertical Air Handler	018, 024, 030, 036, 048, 054	5/8 in.	3/8 in.
VWMA Wall-Mounted	007, 009, 012, 015	1/2 in.	1/4 in.
	018, 024, 030	5/8 in.	3/8 in.

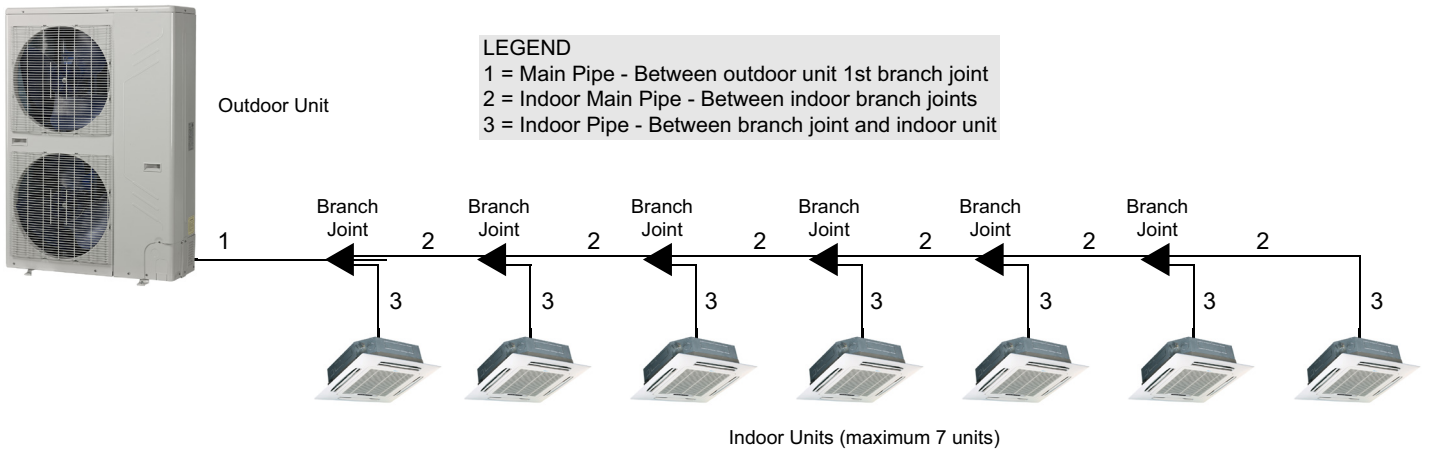
NOTES:

If two or more indoor units are used, each indoor unit capacity should be less than 27,295 Btuh.

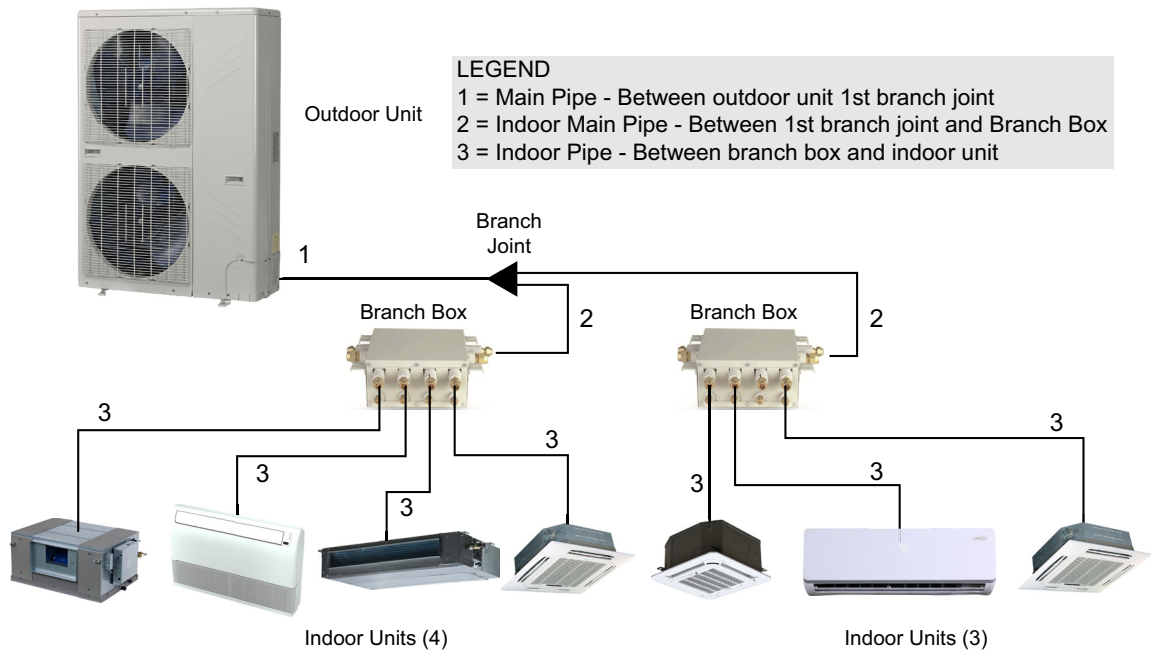
If the total capacity of the indoor units is greater than 100% of the capacity of the outdoor unit, individual indoor unit capacities will be reduced.

PIPING SELECTION

SYSTEM PIPING WITH BRANCH JOINTS



SYSTEM PIPING WITH TWO BRANCH BOXES



COOLING CAPACITY - VPA036H4

Combination (%)	Outdoor Temperature °F (Dry Bulb)	Indoor Temperature - °F (Dry Bulb / Wet Bulb)											
		67 / 57		71 / 60		75 / 63		80 / 67		85 / 71		90 / 75	
		Total Cap.	Power Input	Total Cap.	Power Input	Total Cap.	Power Input	Total Cap.	Power Input	Total Cap.	Power Input	Total Cap.	Power Input
		MBH	kW	MBH	kW	MBH	kW	MBH	kW	MBH	kW	MBH	kW
130%	5	27.46	1.32	33.26	1.56	39.06	1.80	46.80	2.14	49.51	2.20	49.96	2.13
	10	27.46	1.34	33.26	1.58	39.06	1.83	46.80	2.17	48.82	2.19	49.27	2.12
	15	27.46	1.36	33.26	1.60	39.06	1.85	46.80	2.20	48.13	2.19	48.58	2.12
	20	27.46	1.37	33.26	1.62	39.06	1.88	46.80	2.23	47.44	2.18	47.89	2.11
	25	27.46	1.39	33.26	1.65	39.06	1.91	46.30	2.24	46.75	2.17	47.20	2.10
	30	27.46	1.41	33.26	1.67	39.06	1.94	45.61	2.23	46.06	2.16	46.51	2.08
	35	27.46	1.43	33.26	1.69	39.06	1.97	44.92	2.23	45.37	2.16	45.82	2.07
	40	27.46	1.45	33.26	1.72	39.06	2.00	44.23	2.22	44.68	2.15	45.13	2.06
	45	27.46	1.47	33.26	1.75	39.06	2.03	43.53	2.21	43.99	2.14	44.44	2.05
	50	27.46	1.49	33.26	1.77	39.06	2.06	42.84	2.21	43.29	2.13	43.74	2.04
	55	27.46	1.52	33.26	1.80	39.06	2.10	42.15	2.20	42.60	2.13	43.05	2.20
	60	27.46	1.54	33.26	1.83	39.06	2.14	41.46	2.22	41.91	2.30	42.36	2.38
	65	27.46	1.57	33.26	1.86	39.06	2.22	40.77	2.39	41.22	2.48	41.67	2.56
	70	27.46	1.59	33.26	1.98	39.06	2.42	40.08	2.56	40.53	2.65	40.98	2.75
	75	27.46	1.71	33.26	2.15	38.94	2.63	39.39	2.73	39.84	2.83	40.29	2.93
	80	27.46	1.85	33.26	2.33	38.25	2.79	38.70	2.90	39.15	3.01	39.60	3.12
	85	27.46	2.00	33.26	2.52	37.56	2.96	38.01	3.08	38.46	3.19	38.91	3.31
	90	27.46	2.15	33.26	2.71	36.87	3.12	37.32	3.25	37.77	3.38	38.13	3.48
	95	27.46	2.31	33.26	2.92	36.18	3.29	36.63	3.43	37.01	3.54	37.06	3.56
	100	27.46	2.48	33.26	3.14	35.49	3.46	35.88	3.59	35.93	3.61	35.98	3.62
105	27.46	2.66	33.26	3.38	34.76	3.62	34.81	3.64	34.85	3.66	34.90	3.67	
110	27.46	2.84	31.15	3.33	31.75	3.41	32.55	3.52	33.35	3.63	33.82	3.71	
115	23.88	2.58	24.48	2.65	25.08	2.73	25.88	2.83	26.68	2.94	27.48	3.04	
120%	5	25.35	1.24	30.70	1.45	36.06	1.67	43.20	1.98	49.27	2.24	49.68	2.18
	10	25.35	1.26	30.70	1.47	36.06	1.70	43.20	2.01	48.58	2.23	48.99	2.17
	15	25.35	1.27	30.70	1.49	36.06	1.72	43.20	2.04	47.88	2.22	48.30	2.16
	20	25.35	1.29	30.70	1.51	36.06	1.75	43.20	2.07	47.19	2.22	47.61	2.15
	25	25.35	1.30	30.70	1.53	36.06	1.77	43.20	2.10	46.50	2.21	46.92	2.14
	30	25.35	1.32	30.70	1.55	36.06	1.80	43.20	2.13	45.81	2.20	46.23	2.13
	35	25.35	1.34	30.70	1.58	36.06	1.83	43.20	2.17	45.12	2.20	45.54	2.13
	40	25.35	1.36	30.70	1.60	36.06	1.85	43.20	2.20	44.43	2.19	44.85	2.12
	45	25.35	1.38	30.70	1.62	36.06	1.88	43.20	2.24	43.74	2.18	44.16	2.10
	50	25.35	1.40	30.70	1.65	36.06	1.91	42.63	2.24	43.05	2.17	43.47	2.09
	55	25.35	1.42	30.70	1.68	36.06	1.95	41.94	2.23	42.36	2.16	42.78	2.16
	60	25.35	1.44	30.70	1.70	36.06	1.98	41.25	2.22	41.67	2.26	42.08	2.33
	65	25.35	1.46	30.70	1.73	36.06	2.01	40.56	2.35	40.98	2.43	41.39	2.51
	70	25.35	1.48	30.70	1.79	36.06	2.19	39.87	2.52	40.29	2.60	40.70	2.69
	75	25.35	1.57	30.70	1.95	36.06	2.38	39.18	2.68	39.60	2.78	40.01	2.87
	80	25.35	1.69	30.70	2.11	36.06	2.58	38.49	2.85	38.91	2.95	39.32	3.05
	85	25.35	1.82	30.70	2.28	36.06	2.79	37.80	3.02	38.22	3.13	38.63	3.24
	90	25.35	1.96	30.70	2.46	36.06	3.01	37.11	3.19	37.53	3.31	37.94	3.42
	95	25.35	2.11	30.70	2.64	36.00	3.24	36.42	3.37	36.83	3.49	37.06	3.56
	100	25.35	2.26	30.70	2.84	35.31	3.41	35.73	3.54	35.93	3.61	35.98	3.62
105	25.35	2.42	30.70	3.05	34.62	3.58	34.81	3.64	34.85	3.66	34.90	3.67	
110	25.35	2.59	30.70	3.27	31.75	3.41	32.55	3.52	33.35	3.63	33.82	3.71	
115	23.88	2.58	24.48	2.65	25.08	2.73	25.88	2.83	26.68	2.94	27.48	3.04	

NOTE - Power Input = Compressor + Outdoor Fan Motor.
MBH = 1000 BTUs per hour.

COOLING CAPACITY - VPA036H4

Combination (%)	Outdoor Temperature °F (Dry Bulb)	Indoor Temperature - °F (Dry Bulb / Wet Bulb)											
		67 / 57		71 / 60		75 / 63		80 / 67		85 / 71		90 / 75	
		Total Cap.	Power Input	Total Cap.	Power Input	Total Cap.	Power Input	Total Cap.	Power Input	Total Cap.	Power Input	Total Cap.	Power Input
		MBH	KW	MBH	KW	MBH	KW	MBH	KW	MBH	KW	MBH	KW
110%	5	23.24	1.16	28.15	1.35	33.05	1.55	39.60	1.83	46.15	2.11	49.40	2.22
	10	23.24	1.18	28.15	1.37	33.05	1.57	39.60	1.85	46.15	2.14	48.71	2.21
	15	23.24	1.19	28.15	1.38	33.05	1.59	39.60	1.88	46.15	2.17	48.02	2.20
	20	23.24	1.20	28.15	1.40	33.05	1.61	39.60	1.91	46.15	2.20	47.33	2.20
	25	23.24	1.22	28.15	1.42	33.05	1.64	39.60	1.93	46.15	2.24	46.64	2.19
	30	23.24	1.23	28.15	1.44	33.05	1.66	39.60	1.96	45.57	2.24	45.95	2.18
	35	23.24	1.25	28.15	1.46	33.05	1.68	39.60	1.99	44.88	2.23	45.26	2.17
	40	23.24	1.26	28.15	1.48	33.05	1.71	39.60	2.03	44.19	2.23	44.57	2.16
	45	23.24	1.28	28.15	1.50	33.05	1.74	39.60	2.06	43.50	2.22	43.88	2.16
	50	23.24	1.30	28.15	1.53	33.05	1.76	39.60	2.09	42.81	2.21	43.19	2.15
	55	23.24	1.32	28.15	1.55	33.05	1.79	39.60	2.13	42.12	2.20	42.50	2.14
	60	23.24	1.34	28.15	1.57	33.05	1.82	39.60	2.16	41.42	2.22	41.81	2.28
	65	23.24	1.36	28.15	1.60	33.05	1.85	39.60	2.26	40.73	2.38	41.12	2.46
	70	23.24	1.38	28.15	1.63	33.05	1.96	39.60	2.47	40.04	2.55	40.42	2.63
	75	23.24	1.43	28.15	1.76	33.05	2.13	38.97	2.64	39.35	2.72	39.73	2.81
	80	23.24	1.54	28.15	1.90	33.05	2.31	38.28	2.80	38.66	2.89	39.04	2.98
	85	23.24	1.66	28.15	2.05	33.05	2.50	37.59	2.97	37.97	3.07	38.35	3.16
	90	23.24	1.79	28.15	2.21	33.05	2.69	36.90	3.13	37.28	3.24	37.66	3.35
	95	23.24	1.91	28.15	2.38	33.05	2.90	36.21	3.30	36.59	3.42	36.97	3.53
	100	23.24	2.05	28.15	2.55	33.05	3.12	35.52	3.47	35.90	3.60	35.98	3.62
105	23.24	2.19	28.15	2.74	33.05	3.35	34.81	3.64	34.85	3.66	34.90	3.67	
110	23.24	2.34	28.15	2.93	31.75	3.41	32.55	3.52	33.35	3.63	33.82	3.71	
115	23.24	2.50	24.48	2.65	25.08	2.73	25.88	2.83	26.68	2.94	27.48	3.04	
100%	5	21.12	1.08	25.59	1.25	30.05	1.43	36.00	1.67	41.95	1.93	47.90	2.19
	10	21.12	1.10	25.59	1.27	30.05	1.44	36.00	1.70	41.95	1.95	47.90	2.22
	15	21.12	1.11	25.59	1.28	30.05	1.46	36.00	1.72	41.95	1.98	47.74	2.24
	20	21.12	1.12	25.59	1.30	30.05	1.48	36.00	1.74	41.95	2.01	47.05	2.24
	25	21.12	1.13	25.59	1.31	30.05	1.50	36.00	1.77	41.95	2.04	46.36	2.23
	30	21.12	1.15	25.59	1.33	30.05	1.53	36.00	1.80	41.95	2.07	45.67	2.22
	35	21.12	1.16	25.59	1.35	30.05	1.55	36.00	1.82	41.95	2.11	44.98	2.22
	40	21.12	1.18	25.59	1.37	30.05	1.57	36.00	1.85	41.95	2.14	44.29	2.21
	45	21.12	1.19	25.59	1.39	30.05	1.59	36.00	1.88	41.95	2.18	43.60	2.20
	50	21.12	1.21	25.59	1.41	30.05	1.62	36.00	1.91	41.95	2.21	42.91	2.19
	55	21.12	1.22	25.59	1.43	30.05	1.64	36.00	1.94	41.87	2.24	42.22	2.19
	60	21.12	1.24	25.59	1.45	30.05	1.67	36.00	1.98	41.18	2.24	41.53	2.24
	65	21.12	1.26	25.59	1.47	30.05	1.70	36.00	2.01	40.49	2.34	40.84	2.40
	70	21.12	1.27	25.59	1.49	30.05	1.75	36.00	2.18	39.80	2.50	40.15	2.57
	75	21.12	1.30	25.59	1.58	30.05	1.90	36.00	2.37	39.11	2.67	39.46	2.74
	80	21.12	1.40	25.59	1.71	30.05	2.06	36.00	2.57	38.42	2.83	38.76	2.92
	85	21.12	1.51	25.59	1.84	30.05	2.22	36.00	2.78	37.73	3.00	38.07	3.09
	90	21.12	1.62	25.59	1.98	30.05	2.39	36.00	3.01	37.04	3.17	37.38	3.27
	95	21.12	1.73	25.59	2.13	30.05	2.57	36.00	3.24	36.35	3.34	36.69	3.45
	100	21.12	1.85	25.59	2.28	30.05	2.76	35.31	3.41	35.66	3.52	35.98	3.62
105	21.12	1.98	25.59	2.44	30.05	2.97	34.62	3.58	34.85	3.66	34.90	3.67	
110	21.12	2.11	25.59	2.61	30.05	3.18	32.55	3.52	33.35	3.63	33.82	3.71	
115	21.12	2.25	24.48	2.65	25.08	2.73	25.88	2.83	26.68	2.94	27.48	3.04	

NOTE - Power Input = Compressor + Outdoor Fan Motor.
MBH = 1000 BTUs per hour.

COOLING CAPACITY - VPA036H4

Combination (%)	Outdoor Temperature °F (Dry Bulb)	Indoor Temperature - °F (Dry Bulb / Wet Bulb)											
		67 / 57		71 / 60		75 / 63		80 / 67		85 / 71		90 / 75	
		Total Cap.	Power Input	Total Cap.	Power Input	Total Cap.	Power Input	Total Cap.	Power Input	Total Cap.	Power Input	Total Cap.	Power Input
		MBH	kW	MBH	kW	MBH	kW	MBH	kW	MBH	kW	MBH	kW
90%	5	19.01	1.01	23.03	1.15	27.04	1.31	32.40	1.52	37.76	1.75	43.11	1.98
	10	19.01	1.02	23.03	1.17	27.04	1.32	32.40	1.54	37.76	1.77	43.11	2.01
	15	19.01	1.03	23.03	1.18	27.04	1.34	32.40	1.56	37.76	1.80	43.11	2.04
	20	19.01	1.04	23.03	1.19	27.04	1.36	32.40	1.58	37.76	1.82	43.11	2.07
	25	19.01	1.05	23.03	1.21	27.04	1.37	32.40	1.61	37.76	1.85	43.11	2.10
	30	19.01	1.06	23.03	1.22	27.04	1.39	32.40	1.63	37.76	1.88	43.11	2.13
	35	19.01	1.08	23.03	1.24	27.04	1.41	32.40	1.65	37.76	1.91	43.11	2.16
	40	19.01	1.09	23.03	1.26	27.04	1.43	32.40	1.68	37.76	1.94	43.11	2.20
	45	19.01	1.10	23.03	1.27	27.04	1.45	32.40	1.71	37.76	1.97	43.11	2.23
	50	19.01	1.11	23.03	1.29	27.04	1.47	32.40	1.73	37.76	2.00	42.63	2.24
	55	19.01	1.13	23.03	1.31	27.04	1.50	32.40	1.76	37.76	2.03	41.94	2.23
	60	19.01	1.14	23.03	1.33	27.04	1.52	32.40	1.79	37.76	2.07	41.25	2.23
	65	19.01	1.16	23.03	1.35	27.04	1.54	32.40	1.82	37.76	2.12	40.56	2.35
	70	19.01	1.17	23.03	1.37	27.04	1.57	32.40	1.91	37.76	2.32	39.87	2.51
	75	19.01	1.19	23.03	1.42	27.04	1.68	32.40	2.08	37.76	2.52	39.18	2.68
	80	19.01	1.27	23.03	1.53	27.04	1.82	32.40	2.25	37.76	2.74	38.49	2.85
	85	19.01	1.36	23.03	1.65	27.04	1.96	32.40	2.43	37.48	2.94	37.80	3.02
	90	19.01	1.46	23.03	1.77	27.04	2.11	32.40	2.63	36.79	3.10	37.10	3.19
95	19.01	1.56	23.03	1.90	27.04	2.27	32.40	2.83	36.10	3.27	36.41	3.36	
100	19.01	1.67	23.03	2.03	27.04	2.43	32.40	3.04	35.41	3.44	35.72	3.54	
105	19.01	1.78	23.03	2.17	27.04	2.61	32.40	3.26	34.72	3.61	34.90	3.67	
110	19.01	1.90	23.03	2.32	27.04	2.79	32.40	3.50	33.35	3.63	33.82	3.71	
115	19.01	2.02	23.03	2.48	25.08	2.73	25.88	2.83	26.68	2.94	27.48	3.04	
80%	5	16.90	0.94	20.47	1.06	24.04	1.19	28.80	1.38	33.56	1.57	38.32	1.77
	10	16.90	0.95	20.47	1.07	24.04	1.21	28.80	1.39	33.56	1.59	38.32	1.80
	15	16.90	0.95	20.47	1.08	24.04	1.22	28.80	1.41	33.56	1.61	38.32	1.82
	20	16.90	0.96	20.47	1.10	24.04	1.23	28.80	1.43	33.56	1.64	38.32	1.85
	25	16.90	0.97	20.47	1.11	24.04	1.25	28.80	1.45	33.56	1.66	38.32	1.87
	30	16.90	0.98	20.47	1.12	24.04	1.27	28.80	1.47	33.56	1.68	38.32	1.90
	35	16.90	0.99	20.47	1.13	24.04	1.28	28.80	1.49	33.56	1.71	38.32	1.93
	40	16.90	1.00	20.47	1.15	24.04	1.30	28.80	1.51	33.56	1.73	38.32	1.96
	45	16.90	1.02	20.47	1.16	24.04	1.32	28.80	1.53	33.56	1.76	38.32	1.99
	50	16.90	1.03	20.47	1.18	24.04	1.34	28.80	1.56	33.56	1.79	38.32	2.03
	55	16.90	1.04	20.47	1.19	24.04	1.35	28.80	1.58	33.56	1.82	38.32	2.06
	60	16.90	1.05	20.47	1.21	24.04	1.37	28.80	1.61	33.56	1.85	38.32	2.10
	65	16.90	1.07	20.47	1.23	24.04	1.40	28.80	1.63	33.56	1.88	38.32	2.16
	70	16.90	1.08	20.47	1.24	24.04	1.42	28.80	1.67	33.56	2.00	38.32	2.36
	75	16.90	1.09	20.47	1.26	24.04	1.48	28.80	1.81	33.56	2.17	38.32	2.57
	80	16.90	1.14	20.47	1.36	24.04	1.60	28.80	1.96	33.56	2.35	38.21	2.78
	85	16.90	1.23	20.47	1.46	24.04	1.72	28.80	2.11	33.56	2.54	37.52	2.95
	90	16.90	1.31	20.47	1.57	24.04	1.85	28.80	2.27	33.56	2.74	36.83	3.11
95	16.90	1.40	20.47	1.68	24.04	1.99	28.80	2.44	33.56	2.96	36.14	3.28	
100	16.90	1.50	20.47	1.80	24.04	2.13	28.80	2.62	33.56	3.18	35.44	3.45	
105	16.90	1.59	20.47	1.92	24.04	2.28	28.80	2.81	33.56	3.42	34.75	3.62	
110	16.90	1.69	20.47	2.04	24.04	2.43	28.80	3.01	33.35	3.63	33.82	3.71	
115	16.90	1.80	20.47	2.18	24.04	2.60	25.88	2.83	26.68	2.94	27.48	3.04	

NOTE - Power Input = Compressor + Outdoor Fan Motor.
MBH = 1000 BTUs per hour.

COOLING CAPACITY - VPA036H4

Combination (%)	Outdoor Temperature °F (Dry Bulb)	Indoor Temperature - °F (Dry Bulb / Wet Bulb)											
		67 / 57		71 / 60		75 / 63		80 / 67		85 / 71		90 / 75	
		Total Cap.	Power Input	Total Cap.	Power Input	Total Cap.	Power Input	Total Cap.	Power Input	Total Cap.	Power Input	Total Cap.	Power Input
		MBH	KW	MBH	KW	MBH	KW	MBH	KW	MBH	KW	MBH	KW
70%	5	14.79	0.87	17.91	0.97	21.03	1.08	25.20	1.24	29.37	1.40	33.53	1.57
	10	14.79	0.88	17.91	0.98	21.03	1.09	25.20	1.25	29.37	1.42	33.53	1.59
	15	14.79	0.88	17.91	0.99	21.03	1.10	25.20	1.27	29.37	1.44	33.53	1.61
	20	14.79	0.89	17.91	1.00	21.03	1.12	25.20	1.28	29.37	1.45	33.53	1.63
	25	14.79	0.90	17.91	1.01	21.03	1.13	25.20	1.30	29.37	1.47	33.53	1.66
	30	14.79	0.91	17.91	1.02	21.03	1.14	25.20	1.31	29.37	1.49	33.53	1.68
	35	14.79	0.92	17.91	1.03	21.03	1.16	25.20	1.33	29.37	1.52	33.53	1.71
	40	14.79	0.92	17.91	1.04	21.03	1.17	25.20	1.35	29.37	1.54	33.53	1.73
	45	14.79	0.93	17.91	1.06	21.03	1.19	25.20	1.37	29.37	1.56	33.53	1.76
	50	14.79	0.94	17.91	1.07	21.03	1.20	25.20	1.39	29.37	1.58	33.53	1.79
	55	14.79	0.95	17.91	1.08	21.03	1.22	25.20	1.41	29.37	1.61	33.53	1.82
	60	14.79	0.96	17.91	1.10	21.03	1.23	25.20	1.43	29.37	1.64	33.53	1.85
	65	14.79	0.97	17.91	1.11	21.03	1.25	25.20	1.45	29.37	1.66	33.53	1.88
	70	14.79	0.99	17.91	1.12	21.03	1.27	25.20	1.48	29.37	1.70	33.53	2.00
	75	14.79	1.00	17.91	1.14	21.03	1.29	25.20	1.56	29.37	1.85	33.53	2.17
	80	14.79	1.03	17.91	1.20	21.03	1.40	25.20	1.68	29.37	2.00	33.53	2.35
	85	14.79	1.10	17.91	1.29	21.03	1.50	25.20	1.81	29.37	2.16	33.53	2.54
	90	14.79	1.17	17.91	1.38	21.03	1.61	25.20	1.95	29.37	2.33	33.53	2.74
	95	14.79	1.25	17.91	1.48	21.03	1.73	25.20	2.09	29.37	2.50	33.53	2.95
	100	14.79	1.33	17.91	1.58	21.03	1.85	25.20	2.24	29.37	2.69	33.53	3.18
105	14.79	1.42	17.91	1.68	21.03	1.97	25.20	2.40	29.37	2.88	33.53	3.41	
110	14.79	1.51	17.91	1.79	21.03	2.10	25.20	2.57	29.37	3.09	33.53	3.66	
115	14.79	1.60	17.91	1.90	21.03	2.24	25.20	2.74	26.68	2.94	27.48	3.04	
60%	5	12.67	0.80	15.35	0.89	18.03	0.98	21.60	1.10	25.17	1.23	28.74	1.37
	10	12.67	0.81	15.35	0.89	18.03	0.99	21.60	1.11	25.17	1.25	28.74	1.39
	15	12.67	0.81	15.35	0.90	18.03	0.99	21.60	1.13	25.17	1.26	28.74	1.41
	20	12.67	0.82	15.35	0.91	18.03	1.00	21.60	1.14	25.17	1.28	28.74	1.43
	25	12.67	0.83	15.35	0.92	18.03	1.02	21.60	1.15	25.17	1.30	28.74	1.45
	30	12.67	0.83	15.35	0.93	18.03	1.03	21.60	1.17	25.17	1.31	28.74	1.47
	35	12.67	0.84	15.35	0.94	18.03	1.04	21.60	1.18	25.17	1.33	28.74	1.49
	40	12.67	0.85	15.35	0.95	18.03	1.05	21.60	1.20	25.17	1.35	28.74	1.51
	45	12.67	0.86	15.35	0.96	18.03	1.06	21.60	1.21	25.17	1.37	28.74	1.53
	50	12.67	0.86	15.35	0.97	18.03	1.07	21.60	1.23	25.17	1.39	28.74	1.55
	55	12.67	0.87	15.35	0.98	18.03	1.09	21.60	1.24	25.17	1.41	28.74	1.58
	60	12.67	0.88	15.35	0.99	18.03	1.10	21.60	1.26	25.17	1.43	28.74	1.60
	65	12.67	0.89	15.35	1.00	18.03	1.11	21.60	1.28	25.17	1.45	28.74	1.63
	70	12.67	0.90	15.35	1.01	18.03	1.13	21.60	1.30	25.17	1.47	28.74	1.66
	75	12.67	0.91	15.35	1.02	18.03	1.15	21.60	1.33	25.17	1.55	28.74	1.80
	80	12.67	0.92	15.35	1.06	18.03	1.21	21.60	1.43	25.17	1.68	28.74	1.95
	85	12.67	0.98	15.35	1.13	18.03	1.30	21.60	1.54	25.17	1.81	28.74	2.11
	90	12.67	1.05	15.35	1.21	18.03	1.39	21.60	1.65	25.17	1.95	28.74	2.27
	95	12.67	1.11	15.35	1.29	18.03	1.49	21.60	1.77	25.17	2.09	28.74	2.44
	100	12.67	1.18	15.35	1.38	18.03	1.59	21.60	1.90	25.17	2.24	28.74	2.62
105	12.67	1.26	15.35	1.46	18.03	1.69	21.60	2.03	25.17	2.40	28.74	2.81	
110	12.67	1.33	15.35	1.56	18.03	1.80	21.60	2.16	25.17	2.57	28.74	3.01	
115	12.67	1.41	15.35	1.65	18.03	1.92	21.60	2.31	25.17	2.74	27.48	3.04	

NOTE - Power Input = Compressor + Outdoor Fan Motor.
MBH = 1000 BTUs per hour.

COOLING CAPACITY - VPA036H4

Combination (%)	Outdoor Temperature °F (Dry Bulb)	Indoor Temperature - °F (Dry Bulb / Wet Bulb)											
		67 / 57		71 / 60		75 / 63		80 / 67		85 / 71		90 / 75	
		Total Cap.	Power Input	Total Cap.	Power Input	Total Cap.	Power Input	Total Cap.	Power Input	Total Cap.	Power Input	Total Cap.	Power Input
		MBH	kW	MBH	kW	MBH	kW	MBH	kW	MBH	kW	MBH	kW
50%	5	10.56	0.74	12.79	0.81	15.02	0.88	18.00	0.97	20.98	1.08	23.95	1.19
	10	10.56	0.74	12.79	0.81	15.02	0.88	18.00	0.98	20.98	1.09	23.95	1.20
	15	10.56	0.75	12.79	0.82	15.02	0.89	18.00	0.99	20.98	1.10	23.95	1.22
	20	10.56	0.75	12.79	0.82	15.02	0.90	18.00	1.00	20.98	1.11	23.95	1.23
	25	10.56	0.76	12.79	0.83	15.02	0.91	18.00	1.01	20.98	1.13	23.95	1.25
	30	10.56	0.76	12.79	0.84	15.02	0.92	18.00	1.02	20.98	1.14	23.95	1.26
	35	10.56	0.77	12.79	0.84	15.02	0.92	18.00	1.04	20.98	1.15	23.95	1.28
	40	10.56	0.77	12.79	0.85	15.02	0.93	18.00	1.05	20.98	1.17	23.95	1.30
	45	10.56	0.78	12.79	0.86	15.02	0.94	18.00	1.06	20.98	1.18	23.95	1.31
	50	10.56	0.79	12.79	0.87	15.02	0.95	18.00	1.07	20.98	1.20	23.95	1.33
	55	10.56	0.79	12.79	0.88	15.02	0.96	18.00	1.09	20.98	1.22	23.95	1.35
	60	10.56	0.80	12.79	0.88	15.02	0.97	18.00	1.10	20.98	1.23	23.95	1.37
	65	10.56	0.81	12.79	0.89	15.02	0.98	18.00	1.11	20.98	1.25	23.95	1.39
	70	10.56	0.81	12.79	0.90	15.02	1.00	18.00	1.13	20.98	1.27	23.95	1.41
	75	10.56	0.82	12.79	0.91	15.02	1.01	18.00	1.14	20.98	1.29	23.95	1.47
	80	10.56	0.83	12.79	0.92	15.02	1.04	18.00	1.21	20.98	1.39	23.95	1.59
	85	10.56	0.87	12.79	0.99	15.02	1.11	18.00	1.30	20.98	1.50	23.95	1.72
	90	10.56	0.93	12.79	1.05	15.02	1.19	18.00	1.39	20.98	1.61	23.95	1.84
95	10.56	0.99	12.79	1.12	15.02	1.27	18.00	1.48	20.98	1.72	23.95	1.98	
100	10.56	1.05	12.79	1.19	15.02	1.35	18.00	1.58	20.98	1.84	23.95	2.12	
105	10.56	1.11	12.79	1.27	15.02	1.44	18.00	1.69	20.98	1.97	23.95	2.27	
110	10.56	1.17	12.79	1.34	15.02	1.53	18.00	1.80	20.98	2.10	23.95	2.42	
115	10.56	1.24	12.79	1.42	15.02	1.62	18.00	1.91	20.98	2.24	23.95	2.59	

NOTE - Power Input = Compressor + Outdoor Fan Motor.
 MBH = 1000 BTUs per hour.

HEATING CAPACITY - VPA036H4

Combination (%)	Outdoor Temperature (°F)		Indoor Temperature - °F Dry Bulb											
			61		64		67		70		73		75	
	Dry Bulb	Wet Bulb	Total Cap. MBH	Power Input kW	Total Cap. MBH	Power Input kW	Total Cap. MBH	Power Input kW	Total Cap. MBH	Power Input kW	Total Cap. MBH	Power Input kW	Total Cap. MBH	Power Input kW
130%	2	1	29.47	2.88	29.21	2.96	28.95	3.03	28.70	3.10	28.44	3.17	28.26	3.22
	7	6	31.14	2.95	30.88	3.01	30.62	3.08	30.37	3.15	30.11	3.22	29.93	3.26
	12	10	32.48	2.99	32.22	3.05	31.96	3.12	31.70	3.18	31.44	3.25	31.27	3.29
	17	15	34.15	3.03	33.89	3.09	33.63	3.15	33.37	3.22	33.11	3.28	32.94	3.32
	22	20	35.82	3.07	35.56	3.13	35.30	3.19	35.04	3.24	34.78	3.30	34.61	3.34
	27	24	37.16	3.10	36.90	3.15	36.64	3.21	36.38	3.26	36.12	3.32	35.94	3.35
	32	29	38.83	3.13	38.57	3.18	38.31	3.23	38.05	3.28	37.79	3.33	37.61	3.37
	37	34	40.49	3.15	40.24	3.20	39.98	3.25	39.72	3.29	39.46	3.34	39.28	3.38
	42	38	41.83	3.16	41.57	3.21	41.31	3.26	41.05	3.30	40.79	3.35	40.62	3.38
	47	43	43.50	3.18	43.24	3.22	42.98	3.27	42.72	3.31	42.46	3.36	42.29	3.39
	52	47	44.84	3.19	44.58	3.23	44.32	3.28	44.06	3.32	43.80	3.36	43.63	3.39
	57	52	46.51	3.20	46.25	3.24	45.99	3.28	45.73	3.32	45.47	3.36	45.30	3.39
	62	56	47.84	3.21	47.58	3.25	47.32	3.29	47.06	3.32	46.80	3.36	45.95	3.32
	67	61	49.51	3.21	49.25	3.25	48.99	3.29	48.73	3.33	48.37	3.35	45.95	3.15
	72	66	51.18	3.22	50.92	3.25	50.66	3.29	50.40	3.32	48.37	3.19	45.95	3.00
77	67	51.52	3.22	51.26	3.25	51.00	3.29	50.74	3.32	48.37	3.16	45.95	2.97	
120%	2	1	29.13	2.98	28.89	3.05	28.65	3.12	28.41	3.18	28.17	3.25	28.01	3.29
	7	6	30.80	3.04	30.56	3.10	30.32	3.16	30.08	3.22	29.84	3.29	29.68	3.33
	12	10	32.13	3.07	31.89	3.13	31.65	3.19	31.41	3.25	31.18	3.31	31.02	3.35
	17	15	33.80	3.11	33.56	3.17	33.32	3.23	33.08	3.28	32.85	3.34	32.69	3.38
	22	20	35.47	3.15	35.23	3.20	34.99	3.25	34.75	3.31	34.51	3.36	34.36	3.39
	27	24	36.81	3.17	36.57	3.22	36.33	3.27	36.09	3.32	35.85	3.37	35.69	3.40
	32	29	38.48	3.19	38.24	3.24	38.00	3.29	37.76	3.34	37.52	3.38	37.36	3.42
	37	34	40.15	3.21	39.91	3.26	39.67	3.30	39.43	3.35	39.19	3.39	39.03	3.42
	42	38	41.48	3.23	41.25	3.27	41.01	3.31	40.77	3.36	40.53	3.40	40.37	3.43
	47	43	43.15	3.24	42.92	3.28	42.68	3.32	42.44	3.36	42.20	3.40	42.04	3.43
	52	47	44.49	3.25	44.25	3.29	44.01	3.33	43.77	3.37	43.53	3.40	42.42	3.32
	57	52	46.16	3.25	45.92	3.29	45.68	3.33	45.44	3.37	44.65	3.34	42.42	3.15
	62	56	47.50	3.26	47.26	3.30	47.02	3.33	46.78	3.37	44.65	3.21	42.42	3.02
	67	61	49.17	3.26	48.93	3.30	48.69	3.33	48.00	3.32	44.65	3.05	42.42	2.87
	72	66	50.84	3.26	50.60	3.30	50.36	3.33	48.00	3.16	44.65	2.90	42.42	2.73
77	67	51.17	3.26	50.93	3.30	50.69	3.33	48.00	3.13	44.65	2.87	42.42	2.71	
110%	2	1	28.78	3.08	28.56	3.14	28.34	3.20	28.12	3.26	27.90	3.32	27.76	3.37
	7	6	30.45	3.13	30.23	3.18	30.01	3.24	29.79	3.30	29.57	3.36	29.43	3.40
	12	10	31.79	3.16	31.57	3.21	31.35	3.27	31.13	3.32	30.91	3.38	30.76	3.41
	17	15	33.46	3.19	33.24	3.25	33.02	3.30	32.80	3.35	32.58	3.40	32.43	3.43
	22	20	35.13	3.22	34.91	3.27	34.69	3.32	34.47	3.37	34.25	3.42	34.10	3.45
	27	24	36.46	3.24	36.24	3.29	36.02	3.33	35.80	3.38	35.58	3.43	35.44	3.46
	32	29	38.13	3.26	37.91	3.31	37.69	3.35	37.47	3.39	37.25	3.44	37.11	3.47
	37	34	39.80	3.28	39.58	3.32	39.36	3.36	39.14	3.40	38.92	3.44	38.78	3.47
	42	38	41.14	3.29	40.92	3.33	40.70	3.37	40.48	3.41	40.26	3.45	38.88	3.32
	47	43	42.81	3.30	42.59	3.34	42.37	3.37	42.15	3.41	40.93	3.33	38.88	3.13
	52	47	44.14	3.30	43.92	3.34	43.71	3.38	43.49	3.41	40.93	3.18	38.88	3.00
	57	52	45.81	3.31	45.59	3.34	45.38	3.38	44.00	3.29	40.93	3.02	38.88	2.84
	62	56	47.15	3.31	46.93	3.34	46.71	3.38	44.00	3.15	40.93	2.89	38.88	2.72
	67	61	48.82	3.31	48.60	3.34	47.07	3.24	44.00	2.99	40.93	2.75	38.88	2.59
	72	66	50.49	3.31	50.14	3.33	47.07	3.09	44.00	2.85	40.93	2.62	38.88	2.47
77	67	50.82	3.31	50.14	3.30	47.07	3.06	44.00	2.82	40.93	2.60	38.88	2.45	

NOTE - All Total Capacity and Power Input Data at 2°F Dry Bulb / 1°F Wet Bulb Outdoor Temperature is simulated at these operating conditions. **Recommended minimum heating operating temperature is 5°F.**
 Power Input = Compressor + Outdoor Fan Motor.
 MBH = 1000 BTUs per hour.

HEATING CAPACITY - VPA036H4

Combination (%)	Outdoor Temperature (°F)		Indoor Temperature - °F Dry Bulb											
			61		64		67		70		73		75	
	Dry Bulb	Wet Bulb	Total Cap. MBH	Power Input kW	Total Cap. MBH	Power Input kW	Total Cap. MBH	Power Input kW	Total Cap. MBH	Power Input kW	Total Cap. MBH	Power Input kW	Total Cap. MBH	Power Input kW
100%	2	1	28.44	3.17	28.24	3.23	28.04	3.29	27.84	3.34	27.64	3.40	27.50	3.44
	7	6	30.11	3.22	29.91	3.27	29.71	3.32	29.51	3.37	29.31	3.43	29.17	3.46
	12	10	31.44	3.25	31.24	3.30	31.04	3.35	30.84	3.40	30.64	3.44	30.51	3.48
	17	15	33.11	3.28	32.91	3.32	32.71	3.37	32.51	3.42	32.31	3.46	32.18	3.49
	22	20	34.78	3.30	34.58	3.34	34.38	3.39	34.18	3.43	33.98	3.47	33.85	3.50
	27	24	36.12	3.32	35.92	3.36	35.72	3.40	35.52	3.44	35.32	3.48	35.19	3.51
	32	29	37.79	3.33	37.59	3.37	37.39	3.41	37.19	3.45	36.99	3.49	35.35	3.31
	37	34	39.46	3.34	39.26	3.38	39.06	3.42	38.86	3.46	37.21	3.30	35.35	3.11
	42	38	40.79	3.35	40.59	3.39	40.39	3.42	40.00	3.43	37.21	3.15	35.35	2.96
	47	43	42.46	3.36	42.26	3.39	42.06	3.43	40.00	3.24	37.21	2.97	35.35	2.80
	52	47	43.80	3.36	43.60	3.39	42.79	3.36	40.00	3.10	37.21	2.84	35.35	2.68
	57	52	45.47	3.36	45.27	3.39	42.79	3.18	40.00	2.93	37.21	2.70	35.35	2.54
	62	56	46.80	3.36	45.58	3.29	42.79	3.05	40.00	2.82	37.21	2.59	35.35	2.44
	67	61	48.37	3.35	45.58	3.12	42.79	2.90	40.00	2.68	37.21	2.47	35.35	2.33
	72	66	48.37	3.19	45.58	2.97	42.79	2.76	40.00	2.55	37.21	2.35	35.35	2.22
77	67	48.37	3.16	45.58	2.94	42.79	2.73	40.00	2.53	37.21	2.33	35.35	2.20	
90%	2	1	28.09	3.27	27.91	3.32	27.73	3.37	27.55	3.42	27.37	3.47	27.25	3.51
	7	6	29.76	3.31	29.58	3.36	29.40	3.40	29.22	3.45	29.04	3.50	28.92	3.53
	12	10	31.10	3.33	30.92	3.38	30.74	3.42	30.56	3.47	30.38	3.51	30.26	3.54
	17	15	32.77	3.36	32.59	3.40	32.41	3.44	32.23	3.48	32.05	3.52	31.81	3.53
	22	20	34.44	3.38	34.26	3.42	34.08	3.45	33.90	3.49	33.49	3.50	31.81	3.29
	27	24	35.77	3.39	35.59	3.43	35.41	3.46	35.23	3.50	33.49	3.31	31.81	3.12
	32	29	37.44	3.40	37.26	3.44	37.08	3.47	36.00	3.38	33.49	3.10	31.81	2.92
	37	34	39.11	3.41	38.93	3.44	38.51	3.44	36.00	3.18	33.49	2.92	31.81	2.75
	42	38	40.45	3.41	40.27	3.45	38.51	3.28	36.00	3.03	33.49	2.78	31.81	2.62
	47	43	42.12	3.42	41.02	3.34	38.51	3.10	36.00	2.86	33.49	2.63	31.81	2.48
	52	47	43.45	3.42	41.02	3.19	38.51	2.96	36.00	2.74	33.49	2.52	31.81	2.38
	57	52	43.53	3.24	41.02	3.02	38.51	2.81	36.00	2.60	33.49	2.39	31.81	2.26
	62	56	43.53	3.11	41.02	2.90	38.51	2.69	36.00	2.49	33.49	2.30	31.81	2.17
	67	61	43.53	2.96	41.02	2.76	38.51	2.56	36.00	2.38	33.49	2.19	31.81	2.07
	72	66	43.53	2.82	41.02	2.63	38.51	2.45	36.00	2.27	33.49	2.09	31.81	1.98
77	67	43.53	2.79	41.02	2.60	38.51	2.42	36.00	2.25	33.49	2.08	31.81	1.96	
80%	2	1	27.74	3.37	27.58	3.41	27.42	3.46	27.26	3.50	27.10	3.55	27.00	3.58
	7	6	29.41	3.40	29.25	3.44	29.09	3.48	28.93	3.52	28.77	3.57	28.28	3.52
	12	10	30.75	3.42	30.59	3.46	30.43	3.50	30.27	3.54	29.77	3.52	28.28	3.31
	17	15	32.42	3.44	32.26	3.47	32.10	3.51	31.94	3.55	29.77	3.26	28.28	3.07
	22	20	34.09	3.45	33.93	3.49	33.77	3.52	32.00	3.31	29.77	3.04	28.28	2.86
	27	24	35.42	3.46	35.27	3.49	34.23	3.40	32.00	3.14	29.77	2.88	28.28	2.72
	32	29	37.09	3.47	36.47	3.44	34.23	3.19	32.00	2.94	29.77	2.71	28.28	2.55
	37	34	38.70	3.46	36.47	3.23	34.23	2.99	32.00	2.77	29.77	2.55	28.28	2.41
	42	38	38.70	3.30	36.47	3.08	34.23	2.86	32.00	2.64	29.77	2.43	28.28	2.30
	47	43	38.70	3.11	36.47	2.90	34.23	2.70	32.00	2.50	29.77	2.30	28.28	2.18
	52	47	38.70	2.98	36.47	2.78	34.23	2.58	32.00	2.39	29.77	2.21	28.28	2.09
	57	52	38.70	2.82	36.47	2.64	34.23	2.45	32.00	2.28	29.77	2.10	28.28	1.99
	62	56	38.70	2.71	36.47	2.53	34.23	2.36	32.00	2.19	29.77	2.02	28.28	1.91
	67	61	38.70	2.58	36.47	2.41	34.23	2.25	32.00	2.09	29.77	1.93	28.28	1.83
	72	66	38.70	2.46	36.47	2.30	34.23	2.15	32.00	1.99	29.77	1.85	28.28	1.75
77	67	38.70	2.44	36.47	2.28	34.23	2.13	32.00	1.98	29.77	1.83	28.28	1.73	

NOTE - All Total Capacity and Power Input Data at 2°F Dry Bulb / 1°F Wet Bulb Outdoor Temperature is simulated at these operating conditions. **Recommended minimum heating operating temperature is 5°F.**
 Power Input = Compressor + Outdoor Fan Motor.
 MBH = 1000 BTUs per hour.

HEATING CAPACITY - VPA036H4

Combination (%)	Outdoor Temperature (°F)		Indoor Temperature - °F Dry Bulb											
			61		64		67		70		73		75	
	Dry Bulb	Wet Bulb	Total Cap. MBH	Power Input kW	Total Cap. MBH	Power Input kW	Total Cap. MBH	Power Input kW	Total Cap. MBH	Power Input kW	Total Cap. MBH	Power Input kW	Total Cap. MBH	Power Input kW
70%	2	1	27.40	3.47	27.26	3.51	27.12	3.55	26.98	3.59	26.05	3.47	24.74	3.26
	7	6	29.07	3.49	28.93	3.53	28.79	3.56	28.00	3.48	26.05	3.19	24.74	3.01
	12	10	30.40	3.50	30.26	3.54	29.95	3.54	28.00	3.27	26.05	3.00	24.74	2.83
	17	15	32.07	3.52	31.91	3.55	29.95	3.29	28.00	3.04	26.05	2.79	24.74	2.63
	22	20	33.74	3.53	31.91	3.30	29.95	3.06	28.00	2.83	26.05	2.61	24.74	2.46
	27	24	33.86	3.36	31.91	3.13	29.95	2.90	28.00	2.69	26.05	2.48	24.74	2.34
	32	29	33.86	3.14	31.91	2.93	29.95	2.73	28.00	2.52	26.05	2.33	24.74	2.20
	37	34	33.86	2.96	31.91	2.76	29.95	2.57	28.00	2.38	26.05	2.20	24.74	2.08
	42	38	33.86	2.82	31.91	2.63	29.95	2.45	28.00	2.27	26.05	2.10	24.74	1.99
	47	43	33.86	2.67	31.91	2.49	29.95	2.32	28.00	2.15	26.05	1.99	24.74	1.89
	52	47	33.86	2.55	31.91	2.39	29.95	2.23	28.00	2.07	26.05	1.91	24.74	1.81
	57	52	33.86	2.42	31.91	2.27	29.95	2.12	28.00	1.97	26.05	1.82	24.74	1.73
	62	56	33.86	2.33	31.91	2.18	29.95	2.04	28.00	1.89	26.05	1.76	24.74	1.67
	67	61	33.86	2.22	31.91	2.08	29.95	1.94	28.00	1.81	26.05	1.68	24.74	1.59
	72	66	33.86	2.12	31.91	1.99	29.95	1.86	28.00	1.73	26.05	1.61	24.74	1.53
77	67	33.86	2.10	31.91	1.97	29.95	1.84	28.00	1.72	26.05	1.59	24.74	1.51	
60%	2	1	27.05	3.56	26.93	3.60	25.67	3.41	24.00	3.15	22.33	2.89	21.21	2.73
	7	6	28.72	3.58	27.35	3.39	25.67	3.14	24.00	2.90	22.33	2.67	21.21	2.52
	12	10	29.02	3.41	27.35	3.18	25.67	2.95	24.00	2.73	22.33	2.52	21.21	2.38
	17	15	29.02	3.17	27.35	2.95	25.67	2.75	24.00	2.54	22.33	2.35	21.21	2.22
	22	20	29.02	2.95	27.35	2.76	25.67	2.57	24.00	2.38	22.33	2.20	21.21	2.08
	27	24	29.02	2.80	27.35	2.62	25.67	2.44	24.00	2.26	22.33	2.09	21.21	1.98
	32	29	29.02	2.63	27.35	2.46	25.67	2.29	24.00	2.13	22.33	1.97	21.21	1.87
	37	34	29.02	2.48	27.35	2.32	25.67	2.16	24.00	2.01	22.33	1.86	21.21	1.77
	42	38	29.02	2.37	27.35	2.22	25.67	2.07	24.00	1.93	22.33	1.78	21.21	1.69
	47	43	29.02	2.24	27.35	2.10	25.67	1.96	24.00	1.83	22.33	1.70	21.21	1.61
	52	47	29.02	2.15	27.35	2.02	25.67	1.88	24.00	1.76	22.33	1.63	21.21	1.55
	57	52	29.02	2.05	27.35	1.92	25.67	1.80	24.00	1.67	22.33	1.56	21.21	1.48
	62	56	29.02	1.97	27.35	1.85	25.67	1.73	24.00	1.61	22.33	1.50	21.21	1.43
	67	61	29.02	1.88	27.35	1.77	25.67	1.65	24.00	1.54	22.33	1.44	21.21	1.37
	72	66	29.02	1.80	27.35	1.69	25.67	1.58	24.00	1.48	22.33	1.38	21.21	1.31
77	67	29.02	1.78	27.35	1.67	25.67	1.57	24.00	1.47	22.33	1.37	21.21	1.30	
50%	2	1	24.19	3.18	22.79	2.96	21.40	2.76	20.00	2.55	18.60	2.36	17.67	2.23
	7	6	24.19	2.93	22.79	2.74	21.40	2.55	20.00	2.36	18.60	2.18	17.67	2.07
	12	10	24.19	2.76	22.79	2.58	21.40	2.40	20.00	2.23	18.60	2.06	17.67	1.95
	17	15	24.19	2.57	22.79	2.40	21.40	2.24	20.00	2.08	18.60	1.93	17.67	1.83
	22	20	24.19	2.40	22.79	2.25	21.40	2.10	20.00	1.95	18.60	1.81	17.67	1.72
	27	24	24.19	2.28	22.79	2.14	21.40	2.00	20.00	1.86	18.60	1.73	17.67	1.64
	32	29	24.19	2.15	22.79	2.01	21.40	1.88	20.00	1.76	18.60	1.63	17.67	1.55
	37	34	24.19	2.03	22.79	1.90	21.40	1.78	20.00	1.66	18.60	1.55	17.67	1.47
	42	38	24.19	1.94	22.79	1.82	21.40	1.71	20.00	1.60	18.60	1.48	17.67	1.41
	47	43	24.19	1.84	22.79	1.73	21.40	1.62	20.00	1.52	18.60	1.41	17.67	1.35
	52	47	24.19	1.77	22.79	1.67	21.40	1.56	20.00	1.46	18.60	1.36	17.67	1.30
	57	52	24.19	1.69	22.79	1.59	21.40	1.49	20.00	1.40	18.60	1.30	17.67	1.24
	62	56	24.19	1.63	22.79	1.53	21.40	1.44	20.00	1.35	18.60	1.26	17.67	1.20
	67	61	24.19	1.56	22.79	1.47	21.40	1.38	20.00	1.29	18.60	1.21	17.67	1.15
	72	66	24.19	1.49	22.79	1.41	21.40	1.32	20.00	1.24	18.60	1.16	17.67	1.11
77	67	24.19	1.48	22.79	1.39	21.40	1.31	20.00	1.23	18.60	1.15	17.67	1.10	

NOTE - All Total Capacity and Power Input Data at 2°F Dry Bulb / 1°F Wet Bulb Outdoor Temperature is simulated at these operating conditions. **Recommended minimum heating operating temperature is 5°F.**

Power Input = Compressor + Outdoor Fan Motor.

MBH = 1000 BTUs per hour.

COOLING CAPACITY - VPA048H4

Combination (%)	Outdoor Temperature °F (Dry Bulb)	Indoor Temperature - °F (Dry Bulb / Wet Bulb)											
		67 / 57		71 / 60		75 / 63		80 / 67		85 / 71		90 / 75	
		Total Cap.	Power Input	Total Cap.	Power Input	Total Cap.	Power Input	Total Cap.	Power Input	Total Cap.	Power Input	Total Cap.	Power Input
		MBH	kW	MBH	kW	MBH	kW	MBH	kW	MBH	kW	MBH	kW
130%	5	36.23	1.99	43.89	2.27	51.54	2.57	61.75	3.01	71.96	3.50	82.16	4.03
	10	36.23	2.01	43.89	2.30	51.54	2.62	61.75	3.08	71.96	3.58	82.16	4.14
	15	36.23	2.04	43.89	2.34	51.54	2.67	61.75	3.15	71.96	3.68	82.16	4.26
	20	36.23	2.07	43.89	2.38	51.54	2.72	61.75	3.23	71.96	3.79	82.16	4.39
	25	36.23	2.10	43.89	2.43	51.54	2.79	61.75	3.32	71.96	3.90	82.16	4.54
	30	36.23	2.13	43.89	2.48	51.54	2.86	61.75	3.42	71.96	4.03	82.16	4.71
	35	36.23	2.18	43.89	2.54	51.54	2.94	61.75	3.53	71.96	4.18	82.16	4.90
	40	36.23	2.22	43.89	2.61	51.54	3.03	61.75	3.65	71.96	4.35	82.16	5.11
	45	36.23	2.28	43.89	2.68	51.54	3.13	61.75	3.80	71.96	4.53	82.16	5.35
	50	36.23	2.34	43.89	2.77	51.54	3.25	61.75	3.96	71.96	4.75	82.16	5.62
	55	36.23	2.41	43.89	2.87	51.54	3.38	61.75	4.14	71.96	4.99	80.67	5.80
	60	36.23	2.49	43.89	2.99	51.54	3.54	61.75	4.35	71.96	5.27	76.77	5.79
	65	36.23	2.59	43.89	3.12	51.54	3.71	61.75	4.60	71.96	5.60	72.88	5.78
	70	36.23	2.70	43.89	3.28	51.54	3.92	61.75	4.89	68.39	5.62	68.99	5.78
	75	36.23	2.83	43.89	3.46	51.54	4.17	61.75	5.23	64.50	5.62	65.09	5.79
	80	36.23	2.99	43.89	3.69	51.54	4.47	60.01	5.45	60.60	5.63	61.20	5.81
	85	36.23	3.18	43.89	3.95	51.54	4.82	56.12	5.46	56.71	5.65	57.30	5.84
	90	36.23	3.42	43.89	4.28	51.54	5.26	52.22	5.47	52.82	5.67	53.30	5.84
	95	36.23	3.71	43.89	4.69	47.74	5.29	48.33	5.50	48.83	5.69	48.89	5.71
	100	36.23	3.86	43.89	4.90	46.73	5.38	47.11	5.53	47.17	5.55	47.23	5.58
105	36.23	4.02	43.89	5.12	45.52	5.41	45.58	5.43	45.64	5.46	45.70	5.48	
110	36.23	4.20	38.36	4.50	39.16	4.62	40.21	4.78	41.27	4.94	42.32	5.10	
115	28.59	3.33	29.39	3.43	30.18	3.54	31.23	3.68	32.29	3.82	33.34	3.97	
120%	5	33.45	1.90	40.51	2.14	47.58	2.41	57.00	2.80	66.42	3.23	75.84	3.69
	10	33.45	1.92	40.51	2.17	47.58	2.45	57.00	2.86	66.42	3.30	75.84	3.79
	15	33.45	1.94	40.51	2.20	47.58	2.49	57.00	2.92	66.42	3.39	75.84	3.89
	20	33.45	1.96	40.51	2.24	47.58	2.54	57.00	2.99	66.42	3.48	75.84	4.01
	25	33.45	1.99	40.51	2.28	47.58	2.60	57.00	3.06	66.42	3.58	75.84	4.14
	30	33.45	2.02	40.51	2.32	47.58	2.66	57.00	3.15	66.42	3.69	75.84	4.29
	35	33.45	2.05	40.51	2.37	47.58	2.73	57.00	3.25	66.42	3.82	75.84	4.45
	40	33.45	2.09	40.51	2.43	47.58	2.81	57.00	3.35	66.42	3.96	75.84	4.63
	45	33.45	2.14	40.51	2.50	47.58	2.89	57.00	3.48	66.42	4.12	75.84	4.84
	50	33.45	2.19	40.51	2.57	47.58	2.99	57.00	3.62	66.42	4.31	75.84	5.07
	55	33.45	2.25	40.51	2.66	47.58	3.11	57.00	3.78	66.42	4.52	75.84	5.34
	60	33.45	2.32	40.51	2.76	47.58	3.24	57.00	3.96	66.42	4.76	75.84	5.65
	65	33.45	2.41	40.51	2.88	47.58	3.40	57.00	4.18	66.42	5.04	72.51	5.69
	70	33.45	2.50	40.51	3.01	47.58	3.58	57.00	4.43	66.42	5.37	68.62	5.68
	75	33.45	2.62	40.51	3.17	47.58	3.80	57.00	4.72	64.18	5.53	64.72	5.69
	80	33.45	2.76	40.51	3.37	47.58	4.05	57.00	5.08	60.28	5.53	60.83	5.70
	85	33.45	2.92	40.51	3.60	47.58	4.36	55.84	5.37	56.39	5.54	56.94	5.72
	90	33.45	3.13	40.51	3.89	47.58	4.74	51.95	5.38	52.49	5.57	53.04	5.75
	95	33.45	3.38	40.51	4.24	47.50	5.20	48.05	5.40	48.60	5.60	48.89	5.71
	100	33.45	3.52	40.51	4.42	46.50	5.30	47.05	5.51	47.17	5.55	47.23	5.58
105	33.45	3.66	40.51	4.62	45.49	5.40	45.58	5.43	45.64	5.46	45.70	5.48	
110	33.45	3.82	38.36	4.50	39.16	4.62	40.21	4.78	41.27	4.94	42.32	5.10	
115	28.59	3.33	29.39	3.43	30.18	3.54	31.23	3.68	32.29	3.82	33.34	3.97	

NOTE - Power Input = Compressor + Outdoor Fan Motor.
MBH = 1000 BTUs per hour.

COOLING CAPACITY - VPA048H4

Combination (%)	Outdoor Temperature °F (Dry Bulb)	Indoor Temperature - °F (Dry Bulb / Wet Bulb)											
		67 / 57		71 / 60		75 / 63		80 / 67		85 / 71		90 / 75	
		Total Cap.	Power Input	Total Cap.	Power Input	Total Cap.	Power Input	Total Cap.	Power Input	Total Cap.	Power Input	Total Cap.	Power Input
		MBH	KW	MBH	KW	MBH	KW	MBH	KW	MBH	KW	MBH	KW
110%	5	30.66	1.81	37.14	2.02	43.61	2.26	52.25	2.60	60.89	2.97	69.52	3.38
	10	30.66	1.82	37.14	2.05	43.61	2.29	52.25	2.65	60.89	3.04	69.52	3.46
	15	30.66	1.84	37.14	2.07	43.61	2.33	52.25	2.70	60.89	3.11	69.52	3.55
	20	30.66	1.86	37.14	2.10	43.61	2.37	52.25	2.76	60.89	3.18	69.52	3.65
	25	30.66	1.88	37.14	2.14	43.61	2.42	52.25	2.82	60.89	3.27	69.52	3.76
	30	30.66	1.90	37.14	2.17	43.61	2.47	52.25	2.90	60.89	3.37	69.52	3.88
	35	30.66	1.93	37.14	2.22	43.61	2.53	52.25	2.98	60.89	3.48	69.52	4.02
	40	30.66	1.97	37.14	2.27	43.61	2.59	52.25	3.07	60.89	3.60	69.52	4.18
	45	30.66	2.01	37.14	2.32	43.61	2.67	52.25	3.17	60.89	3.74	69.52	4.35
	50	30.66	2.05	37.14	2.39	43.61	2.75	52.25	3.29	60.89	3.89	69.52	4.55
	55	30.66	2.10	37.14	2.46	43.61	2.85	52.25	3.43	60.89	4.07	69.52	4.78
	60	30.66	2.16	37.14	2.55	43.61	2.97	52.25	3.59	60.89	4.28	69.52	5.04
	65	30.66	2.23	37.14	2.65	43.61	3.10	52.25	3.77	60.89	4.52	69.52	5.35
	70	30.66	2.32	37.14	2.76	43.61	3.26	52.25	3.99	60.89	4.80	68.25	5.58
	75	30.66	2.42	37.14	2.90	43.61	3.44	52.25	4.24	60.89	5.14	64.36	5.58
	80	30.66	2.54	37.14	3.07	43.61	3.66	52.25	4.54	59.96	5.43	60.46	5.59
	85	30.66	2.68	37.14	3.27	43.61	3.92	52.25	4.91	56.07	5.44	56.57	5.60
	90	30.66	2.85	37.14	3.51	43.61	4.25	51.67	5.28	52.17	5.46	52.68	5.63
	95	30.66	3.07	37.14	3.82	43.61	4.65	47.78	5.30	48.28	5.48	48.78	5.67
	100	30.66	3.19	37.14	3.98	43.61	4.86	46.77	5.40	47.17	5.55	47.23	5.58
105	30.66	3.32	37.14	4.15	43.61	5.08	45.58	5.43	45.64	5.46	45.70	5.48	
110	30.66	3.46	37.14	4.33	39.16	4.62	40.21	4.78	41.27	4.94	42.32	5.10	
115	28.59	3.33	29.39	3.43	30.18	3.54	31.23	3.68	32.29	3.82	33.34	3.97	
100%	5	27.87	1.72	33.76	1.91	39.65	2.11	47.50	2.41	55.35	2.73	63.20	3.08
	10	27.87	1.73	33.76	1.93	39.65	2.14	47.50	2.45	55.35	2.78	63.20	3.15
	15	27.87	1.74	33.76	1.95	39.65	2.17	47.50	2.49	55.35	2.84	63.20	3.22
	20	27.87	1.76	33.76	1.97	39.65	2.20	47.50	2.54	55.35	2.91	63.20	3.30
	25	27.87	1.78	33.76	2.00	39.65	2.24	47.50	2.59	55.35	2.98	63.20	3.40
	30	27.87	1.80	33.76	2.03	39.65	2.28	47.50	2.65	55.35	3.06	63.20	3.50
	35	27.87	1.82	33.76	2.07	39.65	2.33	47.50	2.72	55.35	3.15	63.20	3.62
	40	27.87	1.85	33.76	2.11	39.65	2.39	47.50	2.80	55.35	3.25	63.20	3.75
	45	27.87	1.88	33.76	2.15	39.65	2.45	47.50	2.89	55.35	3.37	63.20	3.90
	50	27.87	1.92	33.76	2.21	39.65	2.52	47.50	2.99	55.35	3.50	63.20	4.06
	55	27.87	1.96	33.76	2.27	39.65	2.61	47.50	3.10	55.35	3.65	63.20	4.26
	60	27.87	2.01	33.76	2.34	39.65	2.70	47.50	3.24	55.35	3.83	63.20	4.48
	65	27.87	2.07	33.76	2.43	39.65	2.82	47.50	3.39	55.35	4.03	63.20	4.74
	70	27.87	2.14	33.76	2.52	39.65	2.95	47.50	3.57	55.35	4.27	63.20	5.04
	75	27.87	2.22	33.76	2.64	39.65	3.10	47.50	3.79	55.35	4.55	63.20	5.39
	80	27.87	2.33	33.76	2.78	39.65	3.29	47.50	4.04	55.35	4.89	60.09	5.47
	85	27.87	2.45	33.76	2.95	39.65	3.51	47.50	4.35	55.35	5.29	56.20	5.48
	90	27.87	2.60	33.76	3.16	39.65	3.79	47.50	4.73	51.85	5.35	52.31	5.50
	95	27.87	2.78	33.76	3.42	39.65	4.13	47.50	5.20	47.96	5.37	48.41	5.53
	100	27.87	2.90	33.76	3.57	39.65	4.32	46.41	5.30	46.87	5.48	47.11	5.57
105	27.87	3.02	33.76	3.73	39.65	4.53	45.32	5.41	45.40	5.44	45.46	5.46	
110	27.87	3.17	33.76	3.93	35.38	4.15	36.43	4.30	37.49	4.46	38.54	4.61	
115	27.87	3.24	29.74	3.47	30.53	3.58	31.59	3.72	32.64	3.86	33.70	4.01	

NOTE - Power Input = Compressor + Outdoor Fan Motor.
MBH = 1000 BTUs per hour.

COOLING CAPACITY - VPA048H4

Combination (%)	Outdoor Temperature °F (Dry Bulb)	Indoor Temperature - °F (Dry Bulb / Wet Bulb)											
		67 / 57		71 / 60		75 / 63		80 / 67		85 / 71		90 / 75	
		Total Cap.	Power Input	Total Cap.	Power Input	Total Cap.	Power Input	Total Cap.	Power Input	Total Cap.	Power Input	Total Cap.	Power Input
		MBH	kW	MBH	kW	MBH	kW	MBH	kW	MBH	kW	MBH	kW
90%	5	25.08	1.63	30.38	1.80	35.68	1.97	42.75	2.23	49.82	2.50	56.88	2.80
	10	25.08	1.64	30.38	1.81	35.68	1.99	42.75	2.26	49.82	2.54	56.88	2.85
	15	25.08	1.65	30.38	1.83	35.68	2.02	42.75	2.29	49.82	2.59	56.88	2.91
	20	25.08	1.66	30.38	1.85	35.68	2.05	42.75	2.33	49.82	2.64	56.88	2.98
	25	25.08	1.68	30.38	1.87	35.68	2.08	42.75	2.38	49.82	2.70	56.88	3.06
	30	25.08	1.69	30.38	1.89	35.68	2.11	42.75	2.43	49.82	2.77	56.88	3.14
	35	25.08	1.71	30.38	1.92	35.68	2.15	42.75	2.48	49.82	2.85	56.88	3.24
	40	25.08	1.73	30.38	1.96	35.68	2.20	42.75	2.55	49.82	2.93	56.88	3.35
	45	25.08	1.76	30.38	1.99	35.68	2.25	42.75	2.62	49.82	3.03	56.88	3.47
	50	25.08	1.79	30.38	2.04	35.68	2.31	42.75	2.70	49.82	3.14	56.88	3.61
	55	25.08	1.82	30.38	2.09	35.68	2.38	42.75	2.80	49.82	3.26	56.88	3.77
	60	25.08	1.87	30.38	2.15	35.68	2.46	42.75	2.91	49.82	3.41	56.88	3.95
	65	25.08	1.92	30.38	2.22	35.68	2.55	42.75	3.04	49.82	3.58	56.88	4.17
	70	25.08	1.97	30.38	2.30	35.68	2.66	42.75	3.19	49.82	3.77	56.88	4.42
	75	25.08	2.04	30.38	2.40	35.68	2.79	42.75	3.36	49.82	4.00	56.88	4.71
	80	25.08	2.13	30.38	2.51	35.68	2.94	42.75	3.58	49.82	4.28	56.88	5.06
	85	25.08	2.23	30.38	2.66	35.68	3.13	42.75	3.83	49.82	4.62	55.83	5.37
	90	25.08	2.35	30.38	2.83	35.68	3.36	42.75	4.15	49.82	5.03	51.94	5.38
95	25.08	2.51	30.38	3.04	35.68	3.64	42.75	4.54	47.63	5.25	48.05	5.40	
100	25.08	2.61	30.38	3.17	35.68	3.80	42.75	4.75	46.55	5.35	46.96	5.51	
105	25.08	2.71	30.38	3.31	35.68	3.98	42.75	4.98	45.40	5.44	45.46	5.46	
110	25.08	2.84	30.38	3.48	35.38	4.15	36.43	4.30	37.49	4.46	38.54	4.61	
115	25.08	2.90	29.74	3.47	30.53	3.58	31.59	3.72	32.64	3.86	33.70	4.01	
80%	5	22.30	1.55	27.01	1.69	31.72	1.84	38.00	2.05	44.28	2.28	50.56	2.53
	10	22.30	1.56	27.01	1.70	31.72	1.86	38.00	2.08	44.28	2.32	50.56	2.58
	15	22.30	1.56	27.01	1.71	31.72	1.87	38.00	2.11	44.28	2.36	50.56	2.62
	20	22.30	1.57	27.01	1.73	31.72	1.90	38.00	2.14	44.28	2.40	50.56	2.68
	25	22.30	1.58	27.01	1.74	31.72	1.92	38.00	2.17	44.28	2.45	50.56	2.74
	30	22.30	1.59	27.01	1.76	31.72	1.95	38.00	2.21	44.28	2.50	50.56	2.81
	35	22.30	1.61	27.01	1.79	31.72	1.98	38.00	2.26	44.28	2.56	50.56	2.89
	40	22.30	1.62	27.01	1.81	31.72	2.01	38.00	2.31	44.28	2.63	50.56	2.97
	45	22.30	1.64	27.01	1.84	31.72	2.06	38.00	2.37	44.28	2.70	50.56	3.07
	50	22.30	1.67	27.01	1.88	31.72	2.10	38.00	2.43	44.28	2.79	50.56	3.18
	55	22.30	1.70	27.01	1.92	31.72	2.16	38.00	2.51	44.28	2.89	50.56	3.31
	60	22.30	1.73	27.01	1.97	31.72	2.22	38.00	2.60	44.28	3.01	50.56	3.46
	65	22.30	1.77	27.01	2.02	31.72	2.30	38.00	2.70	44.28	3.15	50.56	3.63
	70	22.30	1.82	27.01	2.09	31.72	2.39	38.00	2.83	44.28	3.31	50.56	3.84
	75	22.30	1.87	27.01	2.17	31.72	2.49	38.00	2.97	44.28	3.50	50.56	4.08
	80	22.30	1.94	27.01	2.26	31.72	2.62	38.00	3.14	44.28	3.72	50.56	4.36
	85	22.30	2.02	27.01	2.38	31.72	2.77	38.00	3.35	44.28	4.00	50.56	4.71
	90	22.30	2.12	27.01	2.52	31.72	2.96	38.00	3.61	44.28	4.33	50.56	5.13
95	22.30	2.25	27.01	2.69	31.72	3.19	38.00	3.92	44.28	4.74	47.68	5.27	
100	22.30	2.33	27.01	2.80	31.72	3.32	38.00	4.10	44.28	4.97	46.59	5.37	
105	22.30	2.42	27.01	2.92	31.72	3.47	38.00	4.29	44.28	5.21	45.46	5.46	
110	22.30	2.53	27.01	3.06	31.72	3.65	36.43	4.30	37.49	4.46	38.54	4.61	
115	22.30	2.58	27.01	3.13	30.53	3.58	31.59	3.72	32.64	3.86	33.70	4.01	

NOTE - Power Input = Compressor + Outdoor Fan Motor.
MBH = 1000 BTUs per hour.

COOLING CAPACITY - VPA048H4

Combination (%)	Outdoor Temperature °F (Dry Bulb)	Indoor Temperature - °F (Dry Bulb / Wet Bulb)											
		67 / 57		71 / 60		75 / 63		80 / 67		85 / 71		90 / 75	
		Total Cap.	Power Input	Total Cap.	Power Input	Total Cap.	Power Input	Total Cap.	Power Input	Total Cap.	Power Input	Total Cap.	Power Input
		MBH	KW	MBH	KW	MBH	KW	MBH	KW	MBH	KW	MBH	KW
70%	5	19.51	1.47	23.63	1.59	27.75	1.71	33.25	1.89	38.75	2.08	44.24	2.28
	10	19.51	1.47	23.63	1.60	27.75	1.73	33.25	1.91	38.75	2.11	44.24	2.32
	15	19.51	1.48	23.63	1.60	27.75	1.74	33.25	1.93	38.75	2.13	44.24	2.35
	20	19.51	1.48	23.63	1.61	27.75	1.75	33.25	1.95	38.75	2.17	44.24	2.40
	25	19.51	1.49	23.63	1.63	27.75	1.77	33.25	1.98	38.75	2.20	44.24	2.44
	30	19.51	1.50	23.63	1.64	27.75	1.79	33.25	2.01	38.75	2.24	44.24	2.50
	35	19.51	1.51	23.63	1.66	27.75	1.82	33.25	2.04	38.75	2.29	44.24	2.56
	40	19.51	1.52	23.63	1.68	27.75	1.84	33.25	2.08	38.75	2.34	44.24	2.62
	45	19.51	1.53	23.63	1.70	27.75	1.87	33.25	2.13	38.75	2.40	44.24	2.70
	50	19.51	1.55	23.63	1.73	27.75	1.91	33.25	2.18	38.75	2.47	44.24	2.79
	55	19.51	1.57	23.63	1.76	27.75	1.95	33.25	2.24	38.75	2.55	44.24	2.89
	60	19.51	1.60	23.63	1.79	27.75	2.01	33.25	2.31	38.75	2.65	44.24	3.01
	65	19.51	1.63	23.63	1.84	27.75	2.06	33.25	2.39	38.75	2.75	44.24	3.15
	70	19.51	1.67	23.63	1.89	27.75	2.13	33.25	2.49	38.75	2.88	44.24	3.31
	75	19.51	1.71	23.63	1.95	27.75	2.22	33.25	2.60	38.75	3.03	44.24	3.49
	80	19.51	1.76	23.63	2.03	27.75	2.32	33.25	2.74	38.75	3.21	44.24	3.72
	85	19.51	1.83	23.63	2.12	27.75	2.44	33.25	2.91	38.75	3.42	44.24	3.99
	90	19.51	1.91	23.63	2.23	27.75	2.59	33.25	3.11	38.75	3.69	44.24	4.32
	95	19.51	2.01	23.63	2.37	27.75	2.77	33.25	3.36	38.75	4.02	44.24	4.74
	100	19.51	2.08	23.63	2.46	27.75	2.88	33.25	3.51	38.75	4.20	44.24	4.97
105	19.51	2.16	23.63	2.56	27.75	3.00	33.25	3.66	38.75	4.40	44.24	5.21	
110	19.51	2.25	23.63	2.68	27.75	3.15	33.25	3.86	37.49	4.46	38.54	4.61	
115	19.51	2.29	23.63	2.73	27.75	3.22	31.59	3.72	32.64	3.86	33.70	4.01	
60%	5	16.72	1.40	20.26	1.49	23.79	1.59	28.50	1.74	33.21	1.89	37.92	2.05
	10	16.72	1.40	20.26	1.50	23.79	1.60	28.50	1.75	33.21	1.91	37.92	2.08
	15	16.72	1.40	20.26	1.50	23.79	1.61	28.50	1.76	33.21	1.93	37.92	2.10
	20	16.72	1.40	20.26	1.51	23.79	1.62	28.50	1.78	33.21	1.95	37.92	2.13
	25	16.72	1.40	20.26	1.51	23.79	1.63	28.50	1.80	33.21	1.98	37.92	2.17
	30	16.72	1.41	20.26	1.52	23.79	1.65	28.50	1.82	33.21	2.01	37.92	2.21
	35	16.72	1.41	20.26	1.53	23.79	1.66	28.50	1.85	33.21	2.04	37.92	2.25
	40	16.72	1.42	20.26	1.55	23.79	1.68	28.50	1.87	33.21	2.08	37.92	2.30
	45	16.72	1.43	20.26	1.56	23.79	1.70	28.50	1.91	33.21	2.13	37.92	2.36
	50	16.72	1.44	20.26	1.58	23.79	1.73	28.50	1.95	33.21	2.18	37.92	2.43
	55	16.72	1.46	20.26	1.61	23.79	1.76	28.50	1.99	33.21	2.24	37.92	2.51
	60	16.72	1.48	20.26	1.63	23.79	1.80	28.50	2.05	33.21	2.31	37.92	2.59
	65	16.72	1.50	20.26	1.67	23.79	1.85	28.50	2.11	33.21	2.39	37.92	2.70
	70	16.72	1.52	20.26	1.70	23.79	1.90	28.50	2.18	33.21	2.49	37.92	2.82
	75	16.72	1.56	20.26	1.75	23.79	1.96	28.50	2.27	33.21	2.60	37.92	2.96
	80	16.72	1.60	20.26	1.81	23.79	2.04	28.50	2.37	33.21	2.74	37.92	3.14
	85	16.72	1.65	20.26	1.88	23.79	2.13	28.50	2.50	33.21	2.90	37.92	3.34
	90	16.72	1.71	20.26	1.96	23.79	2.24	28.50	2.65	33.21	3.10	37.92	3.60
	95	16.72	1.79	20.26	2.07	23.79	2.39	28.50	2.85	33.21	3.35	37.92	3.91
	100	16.72	1.85	20.26	2.15	23.79	2.48	28.50	2.96	33.21	3.50	37.92	4.09
105	16.72	1.91	20.26	2.23	23.79	2.57	28.50	3.09	33.21	3.66	37.92	4.28	
110	16.72	1.99	20.26	2.32	23.79	2.70	28.50	3.24	33.21	3.85	37.92	4.52	
115	16.72	2.02	20.26	2.37	23.79	2.75	28.50	3.31	32.64	3.86	33.70	4.01	

NOTE - Power Input = Compressor + Outdoor Fan Motor.
MBH = 1000 BTUs per hour.

COOLING CAPACITY - VPA048H4

Combination (%)	Outdoor Temperature °F (Dry Bulb)	Indoor Temperature - °F (Dry Bulb / Wet Bulb)											
		67 / 57		71 / 60		75 / 63		80 / 67		85 / 71		90 / 75	
		Total Cap.	Power Input	Total Cap.	Power Input	Total Cap.	Power Input	Total Cap.	Power Input	Total Cap.	Power Input	Total Cap.	Power Input
		MBH	kW	MBH	kW	MBH	kW	MBH	kW	MBH	kW	MBH	kW
50%	5	13.94	1.33	16.88	1.40	19.82	1.48	23.75	1.59	27.68	1.71	31.60	1.84
	10	13.94	1.32	16.88	1.40	19.82	1.48	23.75	1.60	27.68	1.72	31.60	1.85
	15	13.94	1.32	16.88	1.40	19.82	1.49	23.75	1.61	27.68	1.74	31.60	1.87
	20	13.94	1.32	16.88	1.40	19.82	1.49	23.75	1.62	27.68	1.75	31.60	1.89
	25	13.94	1.32	16.88	1.41	19.82	1.50	23.75	1.63	27.68	1.77	31.60	1.92
	30	13.94	1.32	16.88	1.41	19.82	1.51	23.75	1.64	27.68	1.79	31.60	1.94
	35	13.94	1.32	16.88	1.42	19.82	1.52	23.75	1.66	27.68	1.81	31.60	1.97
	40	13.94	1.33	16.88	1.43	19.82	1.53	23.75	1.68	27.68	1.84	31.60	2.01
	45	13.94	1.33	16.88	1.44	19.82	1.55	23.75	1.70	27.68	1.87	31.60	2.05
	50	13.94	1.34	16.88	1.45	19.82	1.56	23.75	1.73	27.68	1.91	31.60	2.10
	55	13.94	1.35	16.88	1.46	19.82	1.59	23.75	1.76	27.68	1.95	31.60	2.15
	60	13.94	1.36	16.88	1.48	19.82	1.61	23.75	1.80	27.68	2.00	31.60	2.22
	65	13.94	1.37	16.88	1.50	19.82	1.64	23.75	1.84	27.68	2.06	31.60	2.29
	70	13.94	1.39	16.88	1.53	19.82	1.68	23.75	1.90	27.68	2.13	31.60	2.38
	75	13.94	1.42	16.88	1.57	19.82	1.73	23.75	1.96	27.68	2.21	31.60	2.48
	80	13.94	1.44	16.88	1.61	19.82	1.78	23.75	2.04	27.68	2.31	31.60	2.61
	85	13.94	1.48	16.88	1.66	19.82	1.85	23.75	2.13	27.68	2.43	31.60	2.76
	90	13.94	1.52	16.88	1.72	19.82	1.93	23.75	2.24	27.68	2.58	31.60	2.94
95	13.94	1.58	16.88	1.80	19.82	2.04	23.75	2.38	27.68	2.76	31.60	3.18	
100	13.94	1.63	16.88	1.86	19.82	2.11	23.75	2.47	27.68	2.87	31.60	3.31	
105	13.94	1.68	16.88	1.92	19.82	2.19	23.75	2.57	27.68	2.99	31.60	3.46	
110	13.94	1.74	16.88	2.00	19.82	2.28	23.75	2.69	27.68	3.14	31.60	3.64	
115	13.94	1.77	16.88	2.04	19.82	2.32	23.75	2.75	27.68	3.21	31.60	3.72	

NOTE - Power Input = Compressor + Outdoor Fan Motor.
 MBH = 1000 BTUs per hour.

HEATING CAPACITY - VPA048H4

Combination (%)	Outdoor Temperature (°F)		Indoor Temperature - °F Dry Bulb											
			61		64		67		70		73		75	
	Dry Bulb	Wet Bulb	Total Cap. MBH	Power Input kW	Total Cap. MBH	Power Input kW	Total Cap. MBH	Power Input kW	Total Cap. MBH	Power Input kW	Total Cap. MBH	Power Input kW	Total Cap. MBH	Power Input kW
130%	2	1	37.42	4.05	37.08	4.16	36.74	4.27	36.40	4.38	36.06	4.49	35.83	4.56
	7	6	39.75	4.16	39.41	4.26	39.07	4.36	38.73	4.46	38.39	4.56	38.16	4.63
	12	10	41.61	4.23	41.27	4.33	40.93	4.42	40.59	4.52	40.25	4.61	40.02	4.67
	17	15	43.94	4.31	43.60	4.40	43.26	4.48	42.92	4.57	42.58	4.66	42.35	4.72
	22	20	46.27	4.37	45.93	4.45	45.59	4.54	45.25	4.62	44.91	4.70	44.68	4.76
	27	24	48.13	4.41	47.79	4.49	47.45	4.57	47.11	4.65	46.77	4.73	46.54	4.78
	32	29	50.46	4.46	50.12	4.53	49.78	4.61	49.44	4.68	49.10	4.76	48.87	4.81
	37	34	52.79	4.50	52.45	4.57	52.11	4.64	51.77	4.71	51.43	4.78	51.20	4.82
	42	38	54.65	4.52	54.31	4.59	53.97	4.66	53.63	4.72	53.29	4.79	53.06	4.84
	47	43	56.98	4.55	56.64	4.61	56.30	4.68	55.96	4.74	55.62	4.80	55.39	4.85
	52	47	58.84	4.56	58.50	4.63	58.16	4.69	57.82	4.75	57.48	4.81	57.25	4.85
	57	52	61.17	4.58	60.83	4.64	60.49	4.70	60.15	4.76	59.81	4.82	59.58	4.85
	62	56	63.03	4.59	62.69	4.65	62.35	4.71	62.01	4.76	61.67	4.82	60.31	4.73
	67	61	65.36	4.60	65.02	4.66	64.68	4.71	64.34	4.76	63.99	4.76	60.31	4.48
	72	66	67.69	4.61	67.35	4.66	67.01	4.71	66.67	4.76	63.49	4.52	60.31	4.25
77	67	68.16	4.61	67.82	4.66	67.48	4.71	67.13	4.76	63.49	4.47	60.31	4.21	
120%	2	1	36.96	4.20	36.65	4.30	36.34	4.40	36.02	4.50	35.71	4.60	35.50	4.67
	7	6	39.29	4.29	38.98	4.39	38.66	4.48	38.35	4.57	38.04	4.67	37.83	4.73
	12	10	41.16	4.36	40.84	4.44	40.53	4.53	40.21	4.62	39.90	4.71	39.69	4.77
	17	15	43.48	4.42	43.17	4.51	42.86	4.59	42.54	4.67	42.23	4.75	42.02	4.81
	22	20	45.81	4.48	45.50	4.56	45.18	4.63	44.87	4.71	44.56	4.79	44.35	4.84
	27	24	47.68	4.52	47.36	4.59	47.05	4.66	46.73	4.74	46.42	4.81	46.21	4.86
	32	29	50.01	4.56	49.69	4.63	49.38	4.70	49.06	4.76	48.75	4.83	48.54	4.88
	37	34	52.33	4.59	52.02	4.65	51.70	4.72	51.39	4.78	51.08	4.85	50.87	4.89
	42	38	54.20	4.61	53.88	4.67	53.57	4.74	53.25	4.80	52.94	4.86	52.73	4.90
	47	43	56.53	4.63	56.21	4.69	55.90	4.75	55.58	4.81	55.27	4.87	55.06	4.91
	52	47	58.39	4.65	58.07	4.70	57.76	4.76	57.44	4.82	57.13	4.87	55.67	4.76
	57	52	60.72	4.66	60.40	4.71	60.09	4.77	59.77	4.82	58.60	4.77	55.67	4.49
	62	56	62.58	4.67	62.26	4.72	61.95	4.77	61.64	4.82	58.60	4.57	55.67	4.30
	67	61	64.91	4.67	64.59	4.72	64.28	4.77	63.00	4.72	58.60	4.33	55.67	4.07
	72	66	67.24	4.68	66.92	4.73	66.61	4.77	63.00	4.48	58.60	4.11	55.67	3.87
77	67	67.70	4.68	67.39	4.73	67.07	4.77	63.00	4.43	58.60	4.07	55.67	3.83	
110%	2	1	36.51	4.34	36.22	4.43	35.93	4.53	35.65	4.62	35.36	4.71	35.17	4.77
	7	6	38.84	4.43	38.55	4.51	38.26	4.60	37.97	4.68	37.69	4.77	37.49	4.83
	12	10	40.70	4.48	40.41	4.56	40.13	4.64	39.84	4.73	39.55	4.81	39.36	4.86
	17	15	43.03	4.54	42.74	4.62	42.45	4.69	42.17	4.77	41.88	4.84	41.69	4.89
	22	20	45.36	4.59	45.07	4.66	44.78	4.73	44.49	4.80	44.21	4.87	44.01	4.92
	27	24	47.22	4.62	46.93	4.69	46.65	4.76	46.36	4.82	46.07	4.89	45.88	4.94
	32	29	49.55	4.66	49.26	4.72	48.97	4.78	48.69	4.85	48.40	4.91	48.21	4.95
	37	34	51.88	4.68	51.59	4.74	51.30	4.80	51.01	4.86	50.73	4.92	50.53	4.96
	42	38	53.74	4.70	53.45	4.76	53.17	4.82	52.88	4.87	52.59	4.93	51.03	4.78
	47	43	56.07	4.72	55.78	4.77	55.49	4.83	55.21	4.88	53.72	4.78	51.03	4.49
	52	47	57.93	4.73	57.65	4.78	57.36	4.83	57.07	4.88	53.72	4.56	51.03	4.29
	57	52	60.26	4.74	59.97	4.79	59.69	4.84	57.75	4.69	53.72	4.30	51.03	4.05
	62	56	62.13	4.74	61.84	4.79	61.55	4.84	57.75	4.49	53.72	4.12	51.03	3.88
	67	61	64.45	4.75	64.17	4.79	61.78	4.61	57.75	4.25	53.72	3.91	51.03	3.69
	72	66	66.78	4.75	65.81	4.72	61.78	4.37	57.75	4.04	53.72	3.72	51.03	3.51
77	67	67.25	4.75	65.81	4.67	61.78	4.33	57.75	4.00	53.72	3.68	51.03	3.47	

NOTE - All Total Capacity and Power Input Data at 2°F Dry Bulb / 1°F Wet Bulb Outdoor Temperature is simulated at these operating conditions. **Recommended minimum heating operating temperature is 5°F.**
 Power Input = Compressor + Outdoor Fan Motor.
 MBH = 1000 BTUs per hour.

HEATING CAPACITY - VPA048H4

Combination (%)	Outdoor Temperature (°F)		Indoor Temperature - °F Dry Bulb											
			61		64		67		70		73		75	
	Dry Bulb	Wet Bulb	Total Cap. MBH	Power Input kW	Total Cap. MBH	Power Input kW	Total Cap. MBH	Power Input kW	Total Cap. MBH	Power Input kW	Total Cap. MBH	Power Input kW	Total Cap. MBH	Power Input kW
100%	2	1	36.06	4.49	35.79	4.57	35.53	4.66	35.27	4.74	35.01	4.82	34.83	4.88
	7	6	38.39	4.56	38.12	4.64	37.86	4.72	37.60	4.79	37.34	4.87	37.16	4.92
	12	10	40.25	4.61	39.99	4.68	39.72	4.76	39.46	4.83	39.20	4.90	39.03	4.95
	17	15	42.58	4.66	42.31	4.73	42.05	4.80	41.79	4.87	41.53	4.93	41.35	4.98
	22	20	44.91	4.70	44.64	4.77	44.38	4.83	44.12	4.89	43.86	4.96	43.68	5.00
	27	24	46.77	4.73	46.51	4.79	46.24	4.85	45.98	4.91	45.72	4.97	45.55	5.01
	32	29	49.10	4.76	48.83	4.81	48.57	4.87	48.31	4.93	48.05	4.99	46.40	4.80
	37	34	51.43	4.78	51.16	4.83	50.90	4.89	50.64	4.94	48.84	4.77	46.40	4.49
	42	38	53.29	4.79	53.03	4.84	52.76	4.89	52.50	4.95	48.84	4.54	46.40	4.27
	47	43	55.62	4.80	55.35	4.85	55.09	4.90	52.50	4.65	48.84	4.27	46.40	4.02
	52	47	57.48	4.81	57.22	4.86	56.16	4.81	52.50	4.43	48.84	4.07	46.40	3.84
	57	52	59.81	4.82	59.55	4.86	56.16	4.54	52.50	4.19	48.84	3.85	46.40	3.63
	62	56	61.67	4.82	59.83	4.68	56.16	4.34	52.50	4.01	48.84	3.69	46.40	3.48
	67	61	63.49	4.76	59.83	4.43	56.16	4.12	52.50	3.81	48.84	3.51	46.40	3.31
72	66	63.49	4.52	59.83	4.21	56.16	3.91	52.50	3.62	48.84	3.34	46.40	3.15	
77	67	63.49	4.47	59.83	4.17	56.16	3.87	52.50	3.59	48.84	3.31	46.40	3.12	
90%	2	1	35.60	4.63	35.37	4.71	35.13	4.78	34.89	4.86	34.66	4.93	34.50	4.98
	7	6	37.93	4.70	37.70	4.77	37.46	4.84	37.22	4.91	36.99	4.97	36.83	5.02
	12	10	39.79	4.74	39.56	4.80	39.32	4.87	39.09	4.93	38.85	5.00	38.69	5.04
	17	15	42.12	4.78	41.89	4.84	41.65	4.90	41.41	4.96	41.18	5.03	41.02	5.07
	22	20	44.45	4.81	44.22	4.87	43.98	4.93	43.74	4.99	43.51	5.04	41.76	4.81
	27	24	46.31	4.83	46.08	4.89	45.84	4.94	45.61	5.00	43.95	4.83	41.76	4.54
	32	29	48.64	4.86	48.41	4.91	48.17	4.96	47.25	4.91	43.95	4.50	41.76	4.24
	37	34	50.97	4.87	50.74	4.92	50.50	4.97	47.25	4.59	43.95	4.21	41.76	3.97
	42	38	52.83	4.88	52.60	4.93	50.55	4.73	47.25	4.36	43.95	4.01	41.76	3.78
	47	43	55.16	4.89	53.84	4.79	50.55	4.44	47.25	4.11	43.95	3.78	41.76	3.56
	52	47	57.03	4.89	53.84	4.57	50.55	4.24	47.25	3.92	43.95	3.61	41.76	3.41
	57	52	57.14	4.63	53.84	4.32	50.55	4.01	47.25	3.71	43.95	3.42	41.76	3.23
	62	56	57.14	4.43	53.84	4.13	50.55	3.84	47.25	3.55	43.95	3.28	41.76	3.10
	67	61	57.14	4.20	53.84	3.92	50.55	3.64	47.25	3.38	43.95	3.12	41.76	2.95
72	66	57.14	3.99	53.84	3.73	50.55	3.47	47.25	3.22	43.95	2.97	41.76	2.81	
77	67	57.14	3.95	53.84	3.69	50.55	3.43	47.25	3.19	43.95	2.94	41.76	2.78	
80%	2	1	35.15	4.78	34.94	4.84	34.73	4.91	34.52	4.98	34.31	5.05	34.17	5.09
	7	6	37.48	4.83	37.27	4.89	37.06	4.95	36.85	5.02	36.64	5.08	36.50	5.12
	12	10	39.34	4.86	39.13	4.92	38.92	4.98	38.71	5.04	38.50	5.10	37.12	4.90
	17	15	41.67	4.90	41.46	4.95	41.25	5.01	41.04	5.06	39.07	4.80	37.12	4.52
	22	20	44.00	4.92	43.79	4.98	43.58	5.03	42.00	4.85	39.07	4.45	37.12	4.19
	27	24	45.86	4.94	45.65	4.99	44.93	4.95	42.00	4.57	39.07	4.20	37.12	3.96
	32	29	48.19	4.96	47.86	4.98	44.93	4.62	42.00	4.27	39.07	3.92	37.12	3.70
	37	34	50.52	4.97	47.86	4.66	44.93	4.32	42.00	4.00	39.07	3.68	37.12	3.47
	42	38	50.79	4.75	47.86	4.43	44.93	4.11	42.00	3.80	39.07	3.51	37.12	3.31
	47	43	50.79	4.47	47.86	4.17	44.93	3.87	42.00	3.59	39.07	3.31	37.12	3.13
	52	47	50.79	4.26	47.86	3.98	44.93	3.70	42.00	3.43	39.07	3.16	37.12	2.99
	57	52	50.79	4.03	47.86	3.76	44.93	3.50	42.00	3.25	39.07	3.00	37.12	2.84
	62	56	50.79	3.86	47.86	3.61	44.93	3.36	42.00	3.12	39.07	2.88	37.12	2.73
	67	61	50.79	3.66	47.86	3.43	44.93	3.19	42.00	2.97	39.07	2.74	37.12	2.60
72	66	50.79	3.49	47.86	3.26	44.93	3.04	42.00	2.83	39.07	2.62	37.12	2.48	
77	67	50.79	3.45	47.86	3.23	44.93	3.01	42.00	2.80	39.07	2.60	37.12	2.46	

NOTE - All Total Capacity and Power Input Data at 2°F Dry Bulb / 1°F Wet Bulb Outdoor Temperature is simulated at these operating conditions. **Recommended minimum heating operating temperature is 5°F.**

Power Input = Compressor + Outdoor Fan Motor.

MBH = 1000 BTUs per hour.

HEATING CAPACITY - VPA048H4

Combination (%)	Outdoor Temperature (°F)		Indoor Temperature - °F Dry Bulb											
			61		64		67		70		73		75	
	Dry Bulb	Wet Bulb	Total Cap. MBH	Power Input kW	Total Cap. MBH	Power Input kW	Total Cap. MBH	Power Input kW	Total Cap. MBH	Power Input kW	Total Cap. MBH	Power Input kW	Total Cap. MBH	Power Input kW
70%	2	1	34.69	4.92	34.51	4.98	34.33	5.04	34.14	5.10	33.96	5.16	32.48	4.90
	7	6	37.02	4.96	36.84	5.02	36.66	5.07	36.47	5.13	34.19	4.75	32.48	4.47
	12	10	38.89	4.99	38.70	5.04	38.52	5.09	36.75	4.84	34.19	4.44	32.48	4.18
	17	15	41.21	5.02	41.03	5.06	39.31	4.84	36.75	4.46	34.19	4.10	32.48	3.87
	22	20	43.54	5.03	41.88	4.83	39.31	4.48	36.75	4.14	34.19	3.81	32.48	3.60
	27	24	44.44	4.89	41.88	4.56	39.31	4.23	36.75	3.91	34.19	3.60	32.48	3.40
	32	29	44.44	4.56	41.88	4.25	39.31	3.95	36.75	3.66	34.19	3.37	32.48	3.19
	37	34	44.44	4.27	41.88	3.98	39.31	3.71	36.75	3.44	34.19	3.17	32.48	3.00
	42	38	44.44	4.06	41.88	3.79	39.31	3.53	36.75	3.27	34.19	3.03	32.48	2.86
	47	43	44.44	3.82	41.88	3.58	39.31	3.33	36.75	3.09	34.19	2.86	32.48	2.71
	52	47	44.44	3.65	41.88	3.42	39.31	3.19	36.75	2.96	34.19	2.74	32.48	2.60
	57	52	44.44	3.46	41.88	3.24	39.31	3.02	36.75	2.81	34.19	2.60	32.48	2.47
	62	56	44.44	3.32	41.88	3.11	39.31	2.90	36.75	2.70	34.19	2.50	32.48	2.37
	67	61	44.44	3.16	41.88	2.96	39.31	2.76	36.75	2.57	34.19	2.39	32.48	2.27
	72	66	44.44	3.01	41.88	2.82	39.31	2.64	36.75	2.46	34.19	2.28	32.48	2.17
77	67	44.44	2.98	41.88	2.79	39.31	2.61	36.75	2.44	34.19	2.26	32.48	2.15	
60%	2	1	34.24	5.07	34.08	5.12	33.70	5.12	31.50	4.72	29.30	4.34	27.84	4.09
	7	6	36.57	5.10	35.90	5.04	33.70	4.67	31.50	4.32	29.30	3.97	27.84	3.75
	12	10	38.09	5.05	35.90	4.70	33.70	4.37	31.50	4.04	29.30	3.72	27.84	3.51
	17	15	38.09	4.66	35.90	4.34	33.70	4.04	31.50	3.74	29.30	3.45	27.84	3.26
	22	20	38.09	4.32	35.90	4.03	33.70	3.75	31.50	3.48	29.30	3.21	27.84	3.03
	27	24	38.09	4.08	35.90	3.81	33.70	3.55	31.50	3.29	29.30	3.04	27.84	2.88
	32	29	38.09	3.81	35.90	3.56	33.70	3.32	31.50	3.08	29.30	2.85	27.84	2.70
	37	34	38.09	3.58	35.90	3.35	33.70	3.12	31.50	2.90	29.30	2.69	27.84	2.55
	42	38	38.09	3.41	35.90	3.19	33.70	2.98	31.50	2.77	29.30	2.57	27.84	2.44
	47	43	38.09	3.22	35.90	3.01	33.70	2.82	31.50	2.62	29.30	2.43	27.84	2.31
	52	47	38.09	3.08	35.90	2.89	33.70	2.70	31.50	2.52	29.30	2.34	27.84	2.22
	57	52	38.09	2.92	35.90	2.74	33.70	2.56	31.50	2.39	29.30	2.22	27.84	2.11
	62	56	38.09	2.80	35.90	2.63	33.70	2.47	31.50	2.30	29.30	2.14	27.84	2.03
	67	61	38.09	2.67	35.90	2.51	33.70	2.35	31.50	2.20	29.30	2.05	27.84	1.95
	72	66	38.09	2.55	35.90	2.40	33.70	2.25	31.50	2.10	29.30	1.96	27.84	1.86
77	67	38.09	2.53	35.90	2.38	33.70	2.23	31.50	2.08	29.30	1.94	27.84	1.85	
50%	2	1	31.74	4.76	29.91	4.44	28.08	4.13	26.25	3.82	24.42	3.52	23.20	3.33
	7	6	31.74	4.36	29.91	4.07	28.08	3.78	26.25	3.51	24.42	3.24	23.20	3.06
	12	10	31.74	4.07	29.91	3.81	28.08	3.55	26.25	3.29	24.42	3.04	23.20	2.88
	17	15	31.74	3.77	29.91	3.53	28.08	3.29	26.25	3.05	24.42	2.83	23.20	2.68
	22	20	31.74	3.51	29.91	3.28	28.08	3.06	26.25	2.85	24.42	2.64	23.20	2.51
	27	24	31.74	3.32	29.91	3.11	28.08	2.90	26.25	2.70	24.42	2.51	23.20	2.38
	32	29	31.74	3.11	29.91	2.92	28.08	2.73	26.25	2.54	24.42	2.36	23.20	2.24
	37	34	31.74	2.93	29.91	2.75	28.08	2.57	26.25	2.40	24.42	2.23	23.20	2.12
	42	38	31.74	2.79	29.91	2.63	28.08	2.46	26.25	2.30	24.42	2.14	23.20	2.03
	47	43	31.74	2.64	29.91	2.49	28.08	2.33	26.25	2.18	24.42	2.03	23.20	1.93
	52	47	31.74	2.54	29.91	2.39	28.08	2.24	26.25	2.09	24.42	1.95	23.20	1.86
	57	52	31.74	2.41	29.91	2.27	28.08	2.13	26.25	1.99	24.42	1.86	23.20	1.77
	62	56	31.74	2.32	29.91	2.18	28.08	2.05	26.25	1.92	24.42	1.79	23.20	1.71
	67	61	31.74	2.21	29.91	2.09	28.08	1.96	26.25	1.84	24.42	1.72	23.20	1.64
	72	66	31.74	2.12	29.91	2.00	28.08	1.88	26.25	1.76	24.42	1.65	23.20	1.57
77	67	31.74	2.10	29.91	1.98	28.08	1.86	26.25	1.75	24.42	1.64	23.20	1.56	

NOTE - All Total Capacity and Power Input Data at 2°F Dry Bulb / 1°F Wet Bulb Outdoor Temperature is simulated at these operating conditions. **Recommended minimum heating operating temperature is 5°F.**

Power Input = Compressor + Outdoor Fan Motor.

MBH = 1000 BTUs per hour.

COOLING CAPACITY - VPA060H4

Combination (%)	Outdoor Temperature °F (Dry Bulb)	Indoor Temperature - °F (Dry Bulb / Wet Bulb)											
		67 / 57		71 / 60		75 / 63		80 / 67		85 / 71		90 / 75	
		Total Cap.	Power Input	Total Cap.	Power Input	Total Cap.	Power Input	Total Cap.	Power Input	Total Cap.	Power Input	Total Cap.	Power Input
		MBH	kW	MBH	kW	MBH	kW	MBH	kW	MBH	kW	MBH	kW
130%	5	45.77	2.41	55.44	2.70	65.11	3.01	78.00	3.46	90.89	3.95	103.79	4.48
	10	45.77	2.42	55.44	2.72	65.11	3.05	78.00	3.52	90.89	4.03	103.79	4.59
	15	45.77	2.44	55.44	2.76	65.11	3.10	78.00	3.59	90.89	4.13	103.79	4.71
	20	45.77	2.47	55.44	2.79	65.11	3.15	78.00	3.67	90.89	4.23	103.79	4.85
	25	45.77	2.49	55.44	2.84	65.11	3.21	78.00	3.75	90.89	4.35	103.79	5.00
	30	45.77	2.53	55.44	2.89	65.11	3.28	78.00	3.86	90.89	4.49	103.79	5.18
	35	45.77	2.57	55.44	2.95	65.11	3.36	78.00	3.97	90.89	4.64	103.79	5.38
	40	45.77	2.61	55.44	3.02	65.11	3.46	78.00	4.11	90.89	4.82	103.79	5.60
	45	45.77	2.67	55.44	3.10	65.11	3.57	78.00	4.26	90.89	5.03	103.79	5.87
	50	45.77	2.73	55.44	3.19	65.11	3.70	78.00	4.44	90.89	5.26	103.79	6.17
	55	45.77	2.81	55.44	3.30	65.11	3.85	78.00	4.65	90.89	5.54	103.79	6.53
	60	45.77	2.90	55.44	3.44	65.11	4.03	78.00	4.90	90.89	5.87	103.79	6.95
	65	45.77	3.02	55.44	3.60	65.11	4.24	78.00	5.20	90.89	6.27	101.48	7.25
	70	45.77	3.16	55.44	3.79	65.11	4.50	78.00	5.56	90.89	6.74	94.99	7.22
	75	45.77	3.32	55.44	4.03	65.11	4.82	78.00	6.00	87.75	7.01	88.50	7.21
	80	45.77	3.53	55.44	4.33	65.11	5.21	78.00	6.54	81.26	7.01	82.01	7.22
	85	45.77	3.80	55.44	4.70	65.11	5.71	74.02	6.79	74.77	7.01	75.52	7.24
	90	45.77	4.15	55.44	5.19	65.11	6.36	67.54	6.80	68.29	7.04	68.89	7.24
	95	45.77	4.61	55.44	5.83	60.30	6.57	61.05	6.84	61.68	7.06	61.76	7.09
	100	45.77	4.85	54.47	6.08	55.04	6.29	55.20	6.35	55.28	6.38	55.36	6.40
105	45.77	5.25	49.07	5.80	49.13	5.83	49.21	5.86	49.29	5.89	49.36	5.92	
110	37.35	4.52	38.35	4.67	39.35	4.83	40.68	5.04	42.01	5.26	42.37	5.33	
115	31.05	3.79	32.05	3.94	33.05	4.09	34.38	4.29	35.71	4.50	37.05	4.72	
120%	5	42.25	2.31	51.17	2.57	60.10	2.84	72.00	3.24	83.90	3.68	95.80	4.15
	10	42.25	2.32	51.17	2.59	60.10	2.88	72.00	3.29	83.90	3.75	95.80	4.24
	15	42.25	2.34	51.17	2.62	60.10	2.92	72.00	3.35	83.90	3.83	95.80	4.34
	20	42.25	2.36	51.17	2.65	60.10	2.96	72.00	3.42	83.90	3.92	95.80	4.46
	25	42.25	2.38	51.17	2.68	60.10	3.01	72.00	3.49	83.90	4.02	95.80	4.59
	30	42.25	2.40	51.17	2.73	60.10	3.07	72.00	3.58	83.90	4.14	95.80	4.74
	35	42.25	2.44	51.17	2.78	60.10	3.14	72.00	3.68	83.90	4.27	95.80	4.91
	40	42.25	2.48	51.17	2.83	60.10	3.22	72.00	3.80	83.90	4.42	95.80	5.11
	45	42.25	2.52	51.17	2.90	60.10	3.32	72.00	3.93	83.90	4.60	95.80	5.34
	50	42.25	2.58	51.17	2.98	60.10	3.43	72.00	4.08	83.90	4.81	95.80	5.60
	55	42.25	2.64	51.17	3.08	60.10	3.56	72.00	4.27	83.90	5.05	95.80	5.91
	60	42.25	2.72	51.17	3.20	60.10	3.71	72.00	4.48	83.90	5.33	95.80	6.27
	65	42.25	2.82	51.17	3.33	60.10	3.90	72.00	4.74	83.90	5.67	95.80	6.70
	70	42.25	2.94	51.17	3.50	60.10	4.13	72.00	5.05	83.90	6.08	94.52	7.11
	75	42.25	3.09	51.17	3.71	60.10	4.40	72.00	5.43	83.90	6.58	88.04	7.09
	80	42.25	3.27	51.17	3.97	60.10	4.74	72.00	5.90	80.85	6.89	81.55	7.09
	85	42.25	3.50	51.17	4.29	60.10	5.17	72.00	6.50	74.37	6.89	75.06	7.10
	90	42.25	3.80	51.17	4.71	60.10	5.73	67.19	6.68	67.88	6.91	68.57	7.14
	95	42.25	4.20	51.17	5.27	60.01	6.46	60.70	6.71	61.39	6.96	61.76	7.09
	100	42.25	4.41	51.17	5.59	54.74	6.18	55.20	6.35	55.28	6.38	55.36	6.40
105	42.25	4.74	48.96	5.76	49.13	5.83	49.21	5.86	49.29	5.89	49.36	5.92	
110	37.35	4.52	38.35	4.67	39.35	4.83	40.68	5.04	42.01	5.26	42.37	5.33	
115	31.05	3.79	32.05	3.94	33.05	4.09	34.38	4.29	35.71	4.50	37.05	4.72	

NOTE - Power Input = Compressor + Outdoor Fan Motor.
MBH = 1000 BTUs per hour.

COOLING CAPACITY - VPA060H4

Combination (%)	Outdoor Temperature °F (Dry Bulb)	Indoor Temperature - °F (Dry Bulb / Wet Bulb)											
		67 / 57		71 / 60		75 / 63		80 / 67		85 / 71		90 / 75	
		Total Cap.	Power Input	Total Cap.	Power Input	Total Cap.	Power Input	Total Cap.	Power Input	Total Cap.	Power Input	Total Cap.	Power Input
		MBH	KW	MBH	KW	MBH	KW	MBH	KW	MBH	KW	MBH	KW
110%	5	38.73	2.21	46.91	2.44	55.09	2.69	66.00	3.04	76.91	3.42	87.82	3.83
	10	38.73	2.22	46.91	2.46	55.09	2.71	66.00	3.08	76.91	3.48	87.82	3.91
	15	38.73	2.23	46.91	2.48	55.09	2.74	66.00	3.13	76.91	3.54	87.82	3.99
	20	38.73	2.25	46.91	2.50	55.09	2.78	66.00	3.18	76.91	3.62	87.82	4.09
	25	38.73	2.26	46.91	2.53	55.09	2.82	66.00	3.25	76.91	3.71	87.82	4.20
	30	38.73	2.29	46.91	2.57	55.09	2.87	66.00	3.32	76.91	3.80	87.82	4.33
	35	38.73	2.31	46.91	2.61	55.09	2.93	66.00	3.40	76.91	3.92	87.82	4.48
	40	38.73	2.34	46.91	2.66	55.09	3.00	66.00	3.50	76.91	4.05	87.82	4.64
	45	38.73	2.38	46.91	2.72	55.09	3.08	66.00	3.61	76.91	4.20	87.82	4.84
	50	38.73	2.43	46.91	2.79	55.09	3.17	66.00	3.75	76.91	4.37	87.82	5.06
	55	38.73	2.48	46.91	2.87	55.09	3.29	66.00	3.90	76.91	4.58	87.82	5.32
	60	38.73	2.55	46.91	2.96	55.09	3.42	66.00	4.08	76.91	4.82	87.82	5.63
	65	38.73	2.63	46.91	3.08	55.09	3.58	66.00	4.30	76.91	5.11	87.82	6.00
	70	38.73	2.74	46.91	3.23	55.09	3.77	66.00	4.57	76.91	5.46	87.82	6.45
	75	38.73	2.86	46.91	3.40	55.09	4.00	66.00	4.90	76.91	5.89	87.57	6.97
	80	38.73	3.02	46.91	3.62	55.09	4.30	66.00	5.30	76.91	6.42	81.08	6.95
	85	38.73	3.22	46.91	3.90	55.09	4.67	66.00	5.81	73.96	6.77	74.59	6.96
	90	38.73	3.47	46.91	4.26	55.09	5.15	66.00	6.47	67.47	6.78	68.11	6.99
	95	38.73	3.82	46.91	4.74	55.09	5.78	60.35	6.59	60.98	6.81	61.62	7.04
	100	38.73	3.99	46.91	5.00	54.45	6.07	55.09	6.30	55.28	6.38	55.36	6.40
105	38.73	4.26	46.91	5.42	49.13	5.83	49.21	5.86	49.29	5.89	49.36	5.92	
110	37.35	4.52	38.35	4.67	39.35	4.83	40.68	5.04	42.01	5.26	42.37	5.33	
115	31.05	3.79	32.05	3.94	33.05	4.09	34.38	4.29	35.71	4.50	37.05	4.72	
100%	5	35.21	2.12	42.64	2.32	50.08	2.53	60.00	2.84	69.92	3.17	79.83	3.53
	10	35.21	2.13	42.64	2.33	50.08	2.56	60.00	2.87	69.92	3.22	79.83	3.59
	15	35.21	2.13	42.64	2.35	50.08	2.58	60.00	2.91	69.92	3.27	79.83	3.66
	20	35.21	2.14	42.64	2.37	50.08	2.61	60.00	2.96	69.92	3.34	79.83	3.74
	25	35.21	2.16	42.64	2.39	50.08	2.64	60.00	3.01	69.92	3.41	79.83	3.84
	30	35.21	2.17	42.64	2.42	50.08	2.68	60.00	3.07	69.92	3.49	79.83	3.94
	35	35.21	2.19	42.64	2.45	50.08	2.73	60.00	3.14	69.92	3.58	79.83	4.06
	40	35.21	2.22	42.64	2.49	50.08	2.79	60.00	3.22	69.92	3.69	79.83	4.20
	45	35.21	2.25	42.64	2.54	50.08	2.85	60.00	3.31	69.92	3.82	79.83	4.36
	50	35.21	2.28	42.64	2.60	50.08	2.93	60.00	3.42	69.92	3.96	79.83	4.55
	55	35.21	2.33	42.64	2.66	50.08	3.03	60.00	3.55	69.92	4.14	79.83	4.77
	60	35.21	2.39	42.64	2.74	50.08	3.14	60.00	3.71	69.92	4.34	79.83	5.03
	65	35.21	2.46	42.64	2.84	50.08	3.27	60.00	3.89	69.92	4.59	79.83	5.34
	70	35.21	2.54	42.64	2.96	50.08	3.43	60.00	4.12	69.92	4.88	79.83	5.72
	75	35.21	2.65	42.64	3.11	50.08	3.63	60.00	4.39	69.92	5.24	79.83	6.18
	80	35.21	2.78	42.64	3.30	50.08	3.88	60.00	4.73	69.92	5.69	79.83	6.74
	85	35.21	2.95	42.64	3.54	50.08	4.19	60.00	5.16	69.92	6.26	74.13	6.82
	90	35.21	3.16	42.64	3.84	50.08	4.59	60.00	5.72	67.07	6.64	67.64	6.83
	95	35.21	3.46	42.64	4.25	50.08	5.13	60.00	6.46	60.58	6.67	61.15	6.87
	100	35.21	3.59	42.64	4.46	50.08	5.43	54.74	6.18	55.28	6.38	55.36	6.40
105	35.21	3.81	42.64	4.80	48.90	5.74	49.21	5.86	49.29	5.89	49.36	5.92	
110	35.21	4.20	38.35	4.67	39.35	4.83	40.68	5.04	42.01	5.26	42.37	5.33	
115	31.05	3.79	32.05	3.94	33.05	4.09	34.38	4.29	35.71	4.50	37.05	4.72	

NOTE - Power Input = Compressor + Outdoor Fan Motor.
MBH = 1000 BTUs per hour.

COOLING CAPACITY - VPA060H4

Combination (%)	Outdoor Temperature °F (Dry Bulb)	Indoor Temperature - °F (Dry Bulb / Wet Bulb)											
		67 / 57		71 / 60		75 / 63		80 / 67		85 / 71		90 / 75	
		Total Cap.	Power Input	Total Cap.	Power Input	Total Cap.	Power Input	Total Cap.	Power Input	Total Cap.	Power Input	Total Cap.	Power Input
		MBH	kW	MBH	kW	MBH	kW	MBH	kW	MBH	kW	MBH	kW
90%	5	31.69	2.03	38.38	2.20	45.07	2.39	54.00	2.65	62.93	2.94	71.85	3.24
	10	31.69	2.03	38.38	2.21	45.07	2.40	54.00	2.68	62.93	2.97	71.85	3.29
	15	31.69	2.04	38.38	2.22	45.07	2.42	54.00	2.71	62.93	3.02	71.85	3.35
	20	31.69	2.04	38.38	2.24	45.07	2.44	54.00	2.74	62.93	3.07	71.85	3.41
	25	31.69	2.05	38.38	2.25	45.07	2.47	54.00	2.78	62.93	3.12	71.85	3.49
	30	31.69	2.06	38.38	2.27	45.07	2.50	54.00	2.83	62.93	3.19	71.85	3.57
	35	31.69	2.08	38.38	2.30	45.07	2.54	54.00	2.89	62.93	3.27	71.85	3.67
	40	31.69	2.09	38.38	2.33	45.07	2.59	54.00	2.95	62.93	3.35	71.85	3.79
	45	31.69	2.12	38.38	2.37	45.07	2.64	54.00	3.03	62.93	3.46	71.85	3.92
	50	31.69	2.15	38.38	2.41	45.07	2.70	54.00	3.12	62.93	3.58	71.85	4.08
	55	31.69	2.18	38.38	2.47	45.07	2.78	54.00	3.23	62.93	3.72	71.85	4.26
	60	31.69	2.23	38.38	2.54	45.07	2.87	54.00	3.36	62.93	3.89	71.85	4.47
	65	31.69	2.28	38.38	2.62	45.07	2.98	54.00	3.51	62.93	4.09	71.85	4.73
	70	31.69	2.35	38.38	2.72	45.07	3.11	54.00	3.69	62.93	4.34	71.85	5.04
	75	31.69	2.44	38.38	2.84	45.07	3.28	54.00	3.92	62.93	4.63	71.85	5.42
	80	31.69	2.55	38.38	2.99	45.07	3.48	54.00	4.20	62.93	5.00	71.85	5.89
	85	31.69	2.69	38.38	3.19	45.07	3.74	54.00	4.56	62.93	5.47	71.85	6.48
	90	31.69	2.87	38.38	3.44	45.07	4.08	54.00	5.02	62.93	6.08	67.18	6.68
95	31.69	3.11	38.38	3.78	45.07	4.52	54.00	5.64	60.17	6.52	60.69	6.71	
100	31.69	3.21	38.38	3.94	45.07	4.76	54.00	5.99	54.91	6.24	55.36	6.40	
105	31.69	3.39	38.38	4.22	45.07	5.14	49.13	5.83	49.29	5.89	49.36	5.92	
110	31.69	3.70	38.35	4.67	39.35	4.83	40.68	5.04	42.01	5.26	42.37	5.33	
115	31.05	3.79	32.05	3.94	33.05	4.09	34.38	4.29	35.71	4.50	37.05	4.72	
80%	5	28.17	1.94	34.12	2.09	40.07	2.25	48.00	2.47	55.93	2.71	63.87	2.97
	10	28.17	1.94	34.12	2.10	40.07	2.26	48.00	2.49	55.93	2.74	63.87	3.01
	15	28.17	1.94	34.12	2.10	40.07	2.27	48.00	2.51	55.93	2.77	63.87	3.05
	20	28.17	1.94	34.12	2.11	40.07	2.29	48.00	2.54	55.93	2.81	63.87	3.10
	25	28.17	1.95	34.12	2.12	40.07	2.31	48.00	2.57	55.93	2.86	63.87	3.16
	30	28.17	1.96	34.12	2.14	40.07	2.33	48.00	2.61	55.93	2.91	63.87	3.23
	35	28.17	1.96	34.12	2.16	40.07	2.36	48.00	2.65	55.93	2.97	63.87	3.31
	40	28.17	1.98	34.12	2.18	40.07	2.39	48.00	2.70	55.93	3.04	63.87	3.40
	45	28.17	1.99	34.12	2.21	40.07	2.43	48.00	2.76	55.93	3.12	63.87	3.50
	50	28.17	2.02	34.12	2.24	40.07	2.48	48.00	2.84	55.93	3.22	63.87	3.63
	55	28.17	2.04	34.12	2.28	40.07	2.54	48.00	2.92	55.93	3.33	63.87	3.78
	60	28.17	2.08	34.12	2.34	40.07	2.62	48.00	3.02	55.93	3.47	63.87	3.95
	65	28.17	2.12	34.12	2.40	40.07	2.70	48.00	3.15	55.93	3.63	63.87	4.16
	70	28.17	2.18	34.12	2.48	40.07	2.81	48.00	3.30	55.93	3.83	63.87	4.41
	75	28.17	2.25	34.12	2.58	40.07	2.95	48.00	3.48	55.93	4.07	63.87	4.71
	80	28.17	2.34	34.12	2.71	40.07	3.11	48.00	3.71	55.93	4.37	63.87	5.09
	85	28.17	2.45	34.12	2.87	40.07	3.32	48.00	4.00	55.93	4.75	63.87	5.58
	90	28.17	2.60	34.12	3.07	40.07	3.60	48.00	4.38	55.93	5.24	63.87	6.20
95	28.17	2.79	34.12	3.35	40.07	3.96	48.00	4.87	55.93	5.89	60.23	6.54	
100	28.17	2.86	34.12	3.47	40.07	4.14	48.00	5.15	54.50	6.09	54.96	6.26	
105	28.17	3.00	34.12	3.68	40.07	4.44	48.00	5.58	49.24	5.87	49.36	5.92	
110	28.17	3.24	34.12	4.04	39.35	4.83	40.68	5.04	42.01	5.26	42.37	5.33	
115	28.17	3.38	32.05	3.94	33.05	4.09	34.38	4.29	35.71	4.50	37.05	4.72	

NOTE - Power Input = Compressor + Outdoor Fan Motor.
MBH = 1000 BTUs per hour.

COOLING CAPACITY - VPA060H4

Combination (%)	Outdoor Temperature °F (Dry Bulb)	Indoor Temperature - °F (Dry Bulb / Wet Bulb)											
		67 / 57		71 / 60		75 / 63		80 / 67		85 / 71		90 / 75	
		Total Cap.	Power Input	Total Cap.	Power Input	Total Cap.	Power Input	Total Cap.	Power Input	Total Cap.	Power Input	Total Cap.	Power Input
		MBH	KW	MBH	KW	MBH	KW	MBH	KW	MBH	KW	MBH	KW
70%	5	24.64	1.86	29.85	1.99	35.06	2.12	42.00	2.30	48.94	2.50	55.88	2.71
	10	24.64	1.86	29.85	1.99	35.06	2.12	42.00	2.31	48.94	2.52	55.88	2.74
	15	24.64	1.85	29.85	1.99	35.06	2.13	42.00	2.33	48.94	2.54	55.88	2.77
	20	24.64	1.85	29.85	1.99	35.06	2.14	42.00	2.35	48.94	2.57	55.88	2.81
	25	24.64	1.85	29.85	2.00	35.06	2.15	42.00	2.37	48.94	2.60	55.88	2.85
	30	24.64	1.85	29.85	2.01	35.06	2.17	42.00	2.40	48.94	2.64	55.88	2.91
	35	24.64	1.86	29.85	2.02	35.06	2.19	42.00	2.43	48.94	2.69	55.88	2.97
	40	24.64	1.87	29.85	2.03	35.06	2.21	42.00	2.47	48.94	2.74	55.88	3.04
	45	24.64	1.88	29.85	2.05	35.06	2.24	42.00	2.51	48.94	2.80	55.88	3.12
	50	24.64	1.89	29.85	2.08	35.06	2.28	42.00	2.57	48.94	2.88	55.88	3.21
	55	24.64	1.91	29.85	2.11	35.06	2.32	42.00	2.63	48.94	2.97	55.88	3.33
	60	24.64	1.94	29.85	2.15	35.06	2.38	42.00	2.71	48.94	3.07	55.88	3.46
	65	24.64	1.97	29.85	2.20	35.06	2.45	42.00	2.81	48.94	3.20	55.88	3.63
	70	24.64	2.01	29.85	2.26	35.06	2.53	42.00	2.93	48.94	3.36	55.88	3.82
	75	24.64	2.06	29.85	2.34	35.06	2.64	42.00	3.07	48.94	3.55	55.88	4.07
	80	24.64	2.13	29.85	2.44	35.06	2.77	42.00	3.25	48.94	3.78	55.88	4.37
	85	24.64	2.22	29.85	2.56	35.06	2.94	42.00	3.48	48.94	4.09	55.88	4.75
	90	24.64	2.34	29.85	2.73	35.06	3.15	42.00	3.78	48.94	4.47	55.88	5.24
	95	24.64	2.50	29.85	2.95	35.06	3.44	42.00	4.17	48.94	4.99	55.88	5.89
	100	24.64	2.54	29.85	3.03	35.06	3.57	42.00	4.38	48.94	5.28	54.50	6.09
105	24.64	2.64	29.85	3.19	35.06	3.80	42.00	4.71	48.83	5.71	49.24	5.87	
110	24.64	2.82	29.85	3.46	35.06	4.18	40.68	5.04	42.01	5.26	42.37	5.33	
115	24.64	2.92	29.85	3.62	33.05	4.09	34.38	4.29	35.71	4.50	37.05	4.72	
60%	5	21.12	1.78	25.59	1.88	30.05	1.99	36.00	2.14	41.95	2.30	47.90	2.47
	10	21.12	1.77	25.59	1.88	30.05	1.99	36.00	2.15	41.95	2.31	47.90	2.49
	15	21.12	1.77	25.59	1.88	30.05	1.99	36.00	2.16	41.95	2.33	47.90	2.51
	20	21.12	1.76	25.59	1.88	30.05	2.00	36.00	2.17	41.95	2.35	47.90	2.54
	25	21.12	1.76	25.59	1.88	30.05	2.00	36.00	2.18	41.95	2.37	47.90	2.57
	30	21.12	1.76	25.59	1.88	30.05	2.01	36.00	2.20	41.95	2.39	47.90	2.60
	35	21.12	1.76	25.59	1.89	30.05	2.02	36.00	2.22	41.95	2.43	47.90	2.65
	40	21.12	1.76	25.59	1.89	30.05	2.04	36.00	2.24	41.95	2.46	47.90	2.70
	45	21.12	1.76	25.59	1.91	30.05	2.06	36.00	2.28	41.95	2.51	47.90	2.76
	50	21.12	1.77	25.59	1.92	30.05	2.09	36.00	2.32	41.95	2.56	47.90	2.83
	55	21.12	1.78	25.59	1.95	30.05	2.12	36.00	2.36	41.95	2.63	47.90	2.92
	60	21.12	1.80	25.59	1.97	30.05	2.16	36.00	2.42	41.95	2.71	47.90	3.02
	65	21.12	1.82	25.59	2.01	30.05	2.21	36.00	2.50	41.95	2.81	47.90	3.14
	70	21.12	1.85	25.59	2.05	30.05	2.27	36.00	2.58	41.95	2.92	47.90	3.29
	75	21.12	1.89	25.59	2.11	30.05	2.35	36.00	2.69	41.95	3.07	47.90	3.47
	80	21.12	1.94	25.59	2.19	30.05	2.45	36.00	2.83	41.95	3.25	47.90	3.70
	85	21.12	2.01	25.59	2.28	30.05	2.58	36.00	3.01	41.95	3.48	47.90	3.99
	90	21.12	2.10	25.59	2.41	30.05	2.74	36.00	3.23	41.95	3.77	47.90	4.37
	95	21.12	2.22	25.59	2.57	30.05	2.96	36.00	3.53	41.95	4.17	47.90	4.86
	100	21.12	2.24	25.59	2.62	30.05	3.05	36.00	3.67	41.95	4.37	47.90	5.14
105	21.12	2.30	25.59	2.73	30.05	3.21	36.00	3.91	41.95	4.70	47.90	5.57	
110	21.12	2.43	25.59	2.93	30.05	3.48	36.00	4.31	41.95	5.25	42.37	5.33	
115	21.12	2.53	25.59	3.04	30.05	3.65	34.38	4.29	35.71	4.50	37.05	4.72	

NOTE - Power Input = Compressor + Outdoor Fan Motor.
MBH = 1000 BTUs per hour.

COOLING CAPACITY - VPA060H4

Combination (%)	Outdoor Temperature °F (Dry Bulb)	Indoor Temperature - °F (Dry Bulb / Wet Bulb)											
		67 / 57		71 / 60		75 / 63		80 / 67		85 / 71		90 / 75	
		Total Cap.	Power Input	Total Cap.	Power Input	Total Cap.	Power Input	Total Cap.	Power Input	Total Cap.	Power Input	Total Cap.	Power Input
		MBH	kW	MBH	kW	MBH	kW	MBH	kW	MBH	kW	MBH	kW
50%	5	17.60	1.70	21.32	1.78	25.04	1.87	30.00	1.99	34.96	2.11	39.92	2.25
	10	17.60	1.69	21.32	1.78	25.04	1.87	30.00	1.99	34.96	2.12	39.92	2.26
	15	17.60	1.68	21.32	1.77	25.04	1.86	30.00	1.99	34.96	2.13	39.92	2.27
	20	17.60	1.68	21.32	1.77	25.04	1.86	30.00	1.99	34.96	2.14	39.92	2.28
	25	17.60	1.67	21.32	1.76	25.04	1.86	30.00	2.00	34.96	2.15	39.92	2.30
	30	17.60	1.66	21.32	1.76	25.04	1.86	30.00	2.01	34.96	2.16	39.92	2.33
	35	17.60	1.66	21.32	1.76	25.04	1.87	30.00	2.02	34.96	2.18	39.92	2.35
	40	17.60	1.66	21.32	1.76	25.04	1.88	30.00	2.04	34.96	2.21	39.92	2.39
	45	17.60	1.66	21.32	1.77	25.04	1.89	30.00	2.06	34.96	2.24	39.92	2.43
	50	17.60	1.66	21.32	1.78	25.04	1.90	30.00	2.08	34.96	2.27	39.92	2.48
	55	17.60	1.66	21.32	1.79	25.04	1.93	30.00	2.12	34.96	2.32	39.92	2.54
	60	17.60	1.67	21.32	1.81	25.04	1.95	30.00	2.16	34.96	2.38	39.92	2.61
	65	17.60	1.69	21.32	1.83	25.04	1.99	30.00	2.21	34.96	2.44	39.92	2.70
	70	17.60	1.70	21.32	1.86	25.04	2.03	30.00	2.27	34.96	2.53	39.92	2.80
	75	17.60	1.73	21.32	1.90	25.04	2.08	30.00	2.35	34.96	2.63	39.92	2.94
	80	17.60	1.77	21.32	1.95	25.04	2.16	30.00	2.45	34.96	2.76	39.92	3.10
	85	17.60	1.81	21.32	2.02	25.04	2.25	30.00	2.57	34.96	2.93	39.92	3.31
90	17.60	1.88	21.32	2.11	25.04	2.37	30.00	2.74	34.96	3.14	39.92	3.58	
95	17.60	1.96	21.32	2.23	25.04	2.53	30.00	2.96	34.96	3.43	39.92	3.94	
100	17.60	1.96	21.32	2.25	25.04	2.57	30.00	3.04	34.96	3.56	39.92	4.13	
105	17.60	2.00	21.32	2.32	25.04	2.68	30.00	3.20	34.96	3.78	39.92	4.42	
110	17.60	2.10	21.32	2.45	25.04	2.86	30.00	3.48	34.96	4.16	39.92	4.92	
115	17.60	2.20	21.32	2.54	25.04	2.97	30.00	3.64	34.96	4.38	37.05	4.72	

NOTE - Power Input = Compressor + Outdoor Fan Motor.
MBH = 1000 BTUs per hour.

HEATING CAPACITY - VPA060H4

Combination (%)	Outdoor Temperature (°F)		Indoor Temperature - °F Dry Bulb											
			61		64		67		70		73		75	
	Dry Bulb	Wet Bulb	Total Cap. MBH	Power Input kW	Total Cap. MBH	Power Input kW	Total Cap. MBH	Power Input kW	Total Cap. MBH	Power Input kW	Total Cap. MBH	Power Input kW	Total Cap. MBH	Power Input kW
130%	2	1	41.30	4.47	40.87	4.62	40.44	4.77	40.01	4.93	39.59	5.08	39.30	5.18
	7	6	44.06	4.65	43.64	4.79	43.21	4.93	42.78	5.07	42.35	5.21	42.07	5.31
	12	10	46.83	4.80	46.40	4.93	45.97	5.06	45.55	5.19	45.12	5.32	44.83	5.41
	17	15	50.29	4.95	49.86	5.07	49.43	5.19	49.00	5.31	48.57	5.43	48.29	5.51
	22	20	53.74	5.08	53.31	5.19	52.89	5.30	52.46	5.41	52.03	5.52	51.74	5.59
	27	24	56.51	5.16	56.08	5.26	55.65	5.37	55.22	5.47	54.80	5.57	54.51	5.64
	32	29	59.97	5.25	59.54	5.34	59.11	5.44	58.68	5.53	58.25	5.63	57.97	5.69
	37	34	63.42	5.32	62.99	5.41	62.57	5.50	62.14	5.59	61.71	5.68	61.42	5.74
	42	38	66.19	5.37	65.76	5.45	65.33	5.54	64.90	5.62	64.47	5.71	64.19	5.76
	47	43	69.64	5.42	69.22	5.50	68.79	5.58	68.36	5.65	67.93	5.73	67.65	5.79
	52	47	72.41	5.45	71.98	5.52	71.55	5.60	71.12	5.68	70.70	5.75	70.41	5.80
	57	52	75.87	5.48	75.44	5.55	75.01	5.63	74.58	5.70	74.15	5.77	73.87	5.82
	62	56	78.63	5.50	78.20	5.57	77.77	5.64	77.35	5.71	76.92	5.78	75.82	5.73
	67	61	82.09	5.52	81.66	5.59	81.23	5.65	80.80	5.72	79.81	5.73	75.82	5.39
	72	66	85.54	5.54	85.12	5.60	84.69	5.66	84.26	5.73	79.81	5.39	75.82	5.08
77	67	86.24	5.54	85.81	5.60	85.38	5.67	84.95	5.73	79.81	5.33	75.82	5.02	
120%	2	1	40.73	4.67	40.33	4.81	39.94	4.96	39.54	5.10	39.15	5.24	38.88	5.33
	7	6	43.49	4.84	43.10	4.97	42.70	5.10	42.31	5.23	41.91	5.36	41.65	5.44
	12	10	46.26	4.97	45.86	5.09	45.47	5.21	45.07	5.33	44.68	5.45	44.41	5.53
	17	15	49.72	5.11	49.32	5.22	48.92	5.33	48.53	5.44	48.13	5.55	47.87	5.63
	22	20	53.17	5.22	52.78	5.32	52.38	5.43	51.99	5.53	51.59	5.63	51.33	5.70
	27	24	55.94	5.30	55.54	5.39	55.15	5.49	54.75	5.58	54.36	5.68	54.09	5.74
	32	29	59.39	5.38	59.00	5.46	58.60	5.55	58.21	5.64	57.81	5.73	57.55	5.79
	37	34	62.85	5.44	62.46	5.52	62.06	5.60	61.66	5.69	61.27	5.77	61.01	5.82
	42	38	65.62	5.48	65.22	5.56	64.83	5.64	64.43	5.71	64.03	5.79	63.77	5.85
	47	43	69.07	5.52	68.68	5.60	68.28	5.67	67.89	5.74	67.49	5.82	67.23	5.87
	52	47	71.84	5.55	71.44	5.62	71.05	5.69	70.65	5.76	70.26	5.83	69.99	5.88
	57	52	75.29	5.58	74.90	5.64	74.50	5.71	74.11	5.78	73.67	5.84	69.99	5.49
	62	56	78.06	5.59	77.66	5.66	77.27	5.72	76.87	5.78	73.67	5.54	69.99	5.22
	67	61	81.52	5.61	81.12	5.67	80.73	5.73	79.20	5.67	73.67	5.21	69.99	4.91
	72	66	84.97	5.62	84.58	5.68	84.18	5.74	79.20	5.34	73.67	4.91	69.99	4.63
77	67	85.66	5.62	85.27	5.68	84.73	5.72	79.20	5.28	73.67	4.85	69.99	4.58	
110%	2	1	40.16	4.88	39.79	5.01	39.43	5.14	39.07	5.27	38.71	5.40	38.47	5.48
	7	6	42.92	5.02	42.56	5.14	42.20	5.26	41.84	5.38	41.47	5.50	41.23	5.58
	12	10	45.69	5.15	45.33	5.26	44.96	5.37	44.60	5.48	44.24	5.59	44.00	5.66
	17	15	49.14	5.27	48.78	5.37	48.42	5.47	48.06	5.57	47.69	5.67	47.45	5.74
	22	20	52.60	5.37	52.24	5.46	51.88	5.56	51.51	5.65	51.15	5.74	50.91	5.80
	27	24	55.37	5.44	55.00	5.52	54.64	5.61	54.28	5.70	53.92	5.79	53.68	5.84
	32	29	58.82	5.50	58.46	5.58	58.10	5.67	57.74	5.75	57.37	5.83	57.13	5.88
	37	34	62.28	5.56	61.92	5.63	61.55	5.71	61.19	5.78	60.83	5.86	60.59	5.91
	42	38	65.04	5.59	64.68	5.66	64.32	5.74	63.96	5.81	63.60	5.88	63.35	5.93
	47	43	68.50	5.63	68.14	5.70	67.78	5.76	67.41	5.83	67.05	5.90	64.16	5.61
	52	47	71.27	5.65	70.90	5.72	70.54	5.78	70.18	5.84	67.53	5.63	64.16	5.30
	57	52	74.72	5.67	74.36	5.73	74.00	5.79	72.60	5.74	67.53	5.27	64.16	4.96
	62	56	77.49	5.69	77.13	5.74	76.76	5.80	72.60	5.45	67.53	5.00	64.16	4.72
	67	61	80.95	5.70	80.58	5.75	77.67	5.54	72.60	5.12	67.53	4.71	64.16	4.44
	72	66	84.40	5.71	82.73	5.63	77.67	5.22	72.60	4.83	67.53	4.44	64.16	4.19
77	67	85.09	5.71	82.73	5.56	77.67	5.16	72.60	4.77	67.53	4.39	64.16	4.15	

NOTE - All Total Capacity and Power Input Data at 2°F Dry Bulb / 1°F Wet Bulb Outdoor Temperature is simulated at these operating conditions. **Recommended minimum heating operating temperature is 5°F.**
 Power Input = Compressor + Outdoor Fan Motor.
 MBH = 1000 BTUs per hour.

HEATING CAPACITY - VPA060H4

Combination (%)	Outdoor Temperature (°F)		Indoor Temperature - °F Dry Bulb											
			61		64		67		70		73		75	
	Dry Bulb	Wet Bulb	Total Cap. MBH	Power Input kW	Total Cap. MBH	Power Input kW	Total Cap. MBH	Power Input kW	Total Cap. MBH	Power Input kW	Total Cap. MBH	Power Input kW	Total Cap. MBH	Power Input kW
100%	2	1	39.59	5.08	39.26	5.20	38.93	5.32	38.60	5.44	38.27	5.55	38.05	5.63
	7	6	42.35	5.21	42.02	5.32	41.69	5.43	41.36	5.54	41.03	5.65	40.81	5.72
	12	10	45.12	5.32	44.79	5.42	44.46	5.52	44.13	5.62	43.80	5.72	43.58	5.79
	17	15	48.57	5.43	48.24	5.52	47.91	5.61	47.59	5.71	47.26	5.80	47.04	5.86
	22	20	52.03	5.52	51.70	5.60	51.37	5.69	51.04	5.77	50.71	5.86	50.49	5.91
	27	24	54.80	5.57	54.47	5.65	54.14	5.73	53.81	5.81	53.48	5.89	53.26	5.94
	32	29	58.25	5.63	57.92	5.70	57.59	5.78	57.26	5.85	56.93	5.93	56.71	5.98
	37	34	61.71	5.68	61.38	5.75	61.05	5.81	60.72	5.88	60.39	5.95	58.33	5.73
	42	38	64.47	5.71	64.14	5.77	63.82	5.84	63.49	5.90	61.40	5.73	58.33	5.39
	47	43	67.93	5.73	67.60	5.80	67.27	5.86	66.00	5.80	61.40	5.32	58.33	5.01
	52	47	70.70	5.75	70.37	5.81	70.04	5.87	66.00	5.48	61.40	5.03	58.33	4.75
	57	52	74.15	5.77	73.82	5.82	70.60	5.55	66.00	5.13	61.40	4.71	58.33	4.45
	62	56	76.92	5.78	75.21	5.68	70.60	5.27	66.00	4.87	61.40	4.48	58.33	4.23
	67	61	79.81	5.73	75.21	5.34	70.60	4.96	66.00	4.59	61.40	4.23	58.33	3.99
72	66	79.81	5.39	75.21	5.03	70.60	4.67	66.00	4.33	61.40	3.99	58.33	3.77	
77	67	79.81	5.33	75.21	4.97	70.60	4.62	66.00	4.28	61.40	3.95	58.33	3.73	
90%	2	1	39.02	5.29	38.72	5.39	38.42	5.50	38.13	5.61	37.83	5.71	37.63	5.78
	7	6	41.78	5.40	41.48	5.50	41.19	5.60	40.89	5.69	40.59	5.79	40.40	5.86
	12	10	44.55	5.49	44.25	5.59	43.95	5.68	43.66	5.77	43.36	5.86	43.16	5.92
	17	15	48.00	5.59	47.71	5.67	47.41	5.75	47.11	5.84	46.82	5.92	46.62	5.98
	22	20	51.46	5.66	51.16	5.74	50.87	5.82	50.57	5.89	50.27	5.97	50.08	6.02
	27	24	54.22	5.71	53.93	5.78	53.63	5.85	53.33	5.93	53.04	6.00	52.49	5.99
	32	29	57.68	5.76	57.38	5.83	57.09	5.89	56.79	5.96	55.26	5.83	52.49	5.49
	37	34	61.14	5.80	60.84	5.86	60.54	5.92	59.40	5.86	55.26	5.38	52.49	5.07
	42	38	63.90	5.82	63.61	5.88	63.31	5.94	59.40	5.51	55.26	5.06	52.49	4.77
	47	43	67.36	5.84	67.06	5.90	63.54	5.54	59.40	5.12	55.26	4.71	52.49	4.44
	52	47	70.12	5.85	67.69	5.65	63.54	5.24	59.40	4.85	55.26	4.46	52.49	4.21
	57	52	71.83	5.66	67.69	5.28	63.54	4.90	59.40	4.54	55.26	4.19	52.49	3.95
	62	56	71.83	5.38	67.69	5.02	63.54	4.66	59.40	4.32	55.26	3.99	52.49	3.77
	67	61	71.83	5.06	67.69	4.72	63.54	4.39	59.40	4.07	55.26	3.76	52.49	3.56
72	66	71.83	4.77	67.69	4.46	63.54	4.15	59.40	3.85	55.26	3.56	52.49	3.37	
77	67	71.83	4.71	67.69	4.41	63.54	4.10	59.40	3.81	55.26	3.52	52.49	3.33	
80%	2	1	38.44	5.49	38.18	5.59	37.92	5.68	37.65	5.77	37.39	5.87	37.21	5.93
	7	6	41.21	5.59	40.95	5.68	40.68	5.76	40.42	5.85	40.16	5.94	39.98	6.00
	12	10	43.97	5.67	43.71	5.75	43.45	5.83	43.18	5.91	42.92	5.99	42.74	6.04
	17	15	47.43	5.75	47.17	5.82	46.90	5.90	46.64	5.97	46.38	6.04	46.20	6.09
	22	20	50.89	5.81	50.62	5.88	50.36	5.95	50.10	6.01	49.12	5.95	46.66	5.60
	27	24	53.65	5.85	53.39	5.91	53.13	5.98	52.80	6.03	49.12	5.53	46.66	5.21
	32	29	57.11	5.89	56.85	5.95	56.48	5.99	52.80	5.53	49.12	5.08	46.66	4.79
	37	34	60.57	5.92	60.17	5.95	56.48	5.52	52.80	5.10	49.12	4.69	46.66	4.43
	42	38	63.33	5.93	60.17	5.59	56.48	5.19	52.80	4.80	49.12	4.42	46.66	4.18
	47	43	63.85	5.57	60.17	5.20	56.48	4.83	52.80	4.47	49.12	4.13	46.66	3.90
	52	47	63.85	5.27	60.17	4.92	56.48	4.57	52.80	4.24	49.12	3.91	46.66	3.70
	57	52	63.85	4.93	60.17	4.61	56.48	4.29	52.80	3.98	49.12	3.68	46.66	3.48
	62	56	63.85	4.69	60.17	4.38	56.48	4.08	52.80	3.79	49.12	3.51	46.66	3.32
	67	61	63.85	4.42	60.17	4.13	56.48	3.85	52.80	3.58	49.12	3.31	46.66	3.14
72	66	63.85	4.17	60.17	3.91	56.48	3.64	52.80	3.39	49.12	3.14	46.66	2.98	
77	67	63.85	4.13	60.17	3.86	56.48	3.61	52.80	3.35	49.12	3.11	46.66	2.95	

NOTE - All Total Capacity and Power Input Data at 2°F Dry Bulb / 1°F Wet Bulb Outdoor Temperature is simulated at these operating conditions. **Recommended minimum heating operating temperature is 5°F.**

Power Input = Compressor + Outdoor Fan Motor.

MBH = 1000 BTUs per hour.

HEATING CAPACITY - VPA060H4

Combination (%)	Outdoor Temperature (°F)		Indoor Temperature - °F Dry Bulb											
			61		64		67		70		73		75	
	Dry Bulb	Wet Bulb	Total Cap. MBH	Power Input kW	Total Cap. MBH	Power Input kW	Total Cap. MBH	Power Input kW	Total Cap. MBH	Power Input kW	Total Cap. MBH	Power Input kW	Total Cap. MBH	Power Input kW
70%	2	1	37.87	5.70	37.64	5.78	37.41	5.86	37.18	5.94	36.95	6.03	36.80	6.08
	7	6	40.64	5.78	40.41	5.85	40.18	5.93	39.95	6.01	39.72	6.08	39.56	6.13
	12	10	43.40	5.84	43.17	5.91	42.94	5.98	42.71	6.05	42.48	6.13	40.83	5.86
	17	15	46.86	5.91	46.63	5.97	46.40	6.04	46.17	6.10	42.98	5.60	40.83	5.28
	22	20	50.32	5.96	50.09	6.02	49.42	6.00	46.20	5.54	42.98	5.09	40.83	4.80
	27	24	53.08	5.99	52.65	6.01	49.42	5.57	46.20	5.15	42.98	4.74	40.83	4.47
	32	29	55.87	5.91	52.65	5.51	49.42	5.12	46.20	4.74	42.98	4.36	40.83	4.12
	37	34	55.87	5.45	52.65	5.08	49.42	4.73	46.20	4.38	42.98	4.04	40.83	3.82
	42	38	55.87	5.13	52.65	4.79	49.42	4.46	46.20	4.13	42.98	3.82	40.83	3.61
	47	43	55.87	4.77	52.65	4.46	49.42	4.15	46.20	3.86	42.98	3.57	40.83	3.38
	52	47	55.87	4.52	52.65	4.23	49.42	3.94	46.20	3.66	42.98	3.39	40.83	3.21
	57	52	55.87	4.24	52.65	3.97	49.42	3.70	46.20	3.44	42.98	3.19	40.83	3.03
	62	56	55.87	4.03	52.65	3.78	49.42	3.53	46.20	3.29	42.98	3.05	40.83	2.89
	67	61	55.87	3.81	52.65	3.57	49.42	3.34	46.20	3.11	42.98	2.89	40.83	2.74
	72	66	55.87	3.60	52.65	3.38	49.42	3.16	46.20	2.95	42.98	2.74	40.83	2.60
77	67	55.87	3.56	52.65	3.34	49.42	3.13	46.20	2.92	42.98	2.71	40.83	2.58	
60%	2	1	37.30	5.90	37.10	5.97	36.91	6.04	36.71	6.11	36.51	6.18	35.00	5.89
	7	6	40.07	5.97	39.87	6.03	39.67	6.10	39.47	6.16	36.84	5.68	35.00	5.35
	12	10	42.83	6.02	42.64	6.08	42.36	6.12	39.60	5.65	36.84	5.19	35.00	4.90
	17	15	46.29	6.07	45.13	5.94	42.36	5.51	39.60	5.09	36.84	4.69	35.00	4.43
	22	20	47.89	5.78	45.13	5.39	42.36	5.01	39.60	4.63	36.84	4.27	35.00	4.04
	27	24	47.89	5.37	45.13	5.01	42.36	4.66	39.60	4.32	36.84	3.99	35.00	3.77
	32	29	47.89	4.93	45.13	4.61	42.36	4.29	39.60	3.99	36.84	3.69	35.00	3.49
	37	34	47.89	4.56	45.13	4.27	42.36	3.98	39.60	3.70	36.84	3.42	35.00	3.24
	42	38	47.89	4.30	45.13	4.03	42.36	3.76	39.60	3.50	36.84	3.24	35.00	3.07
	47	43	47.89	4.01	45.13	3.76	42.36	3.51	39.60	3.27	36.84	3.04	35.00	2.88
	52	47	47.89	3.81	45.13	3.57	42.36	3.34	39.60	3.11	36.84	2.89	35.00	2.75
	57	52	47.89	3.58	45.13	3.36	42.36	3.14	39.60	2.93	36.84	2.73	35.00	2.59
	62	56	47.89	3.41	45.13	3.21	42.36	3.00	39.60	2.80	36.84	2.61	35.00	2.48
	67	61	47.89	3.23	45.13	3.03	42.36	2.84	39.60	2.66	36.84	2.48	35.00	2.36
	72	66	47.89	3.06	45.13	2.88	42.36	2.70	39.60	2.53	36.84	2.36	35.00	2.24
77	67	47.89	3.03	45.13	2.85	42.36	2.67	39.60	2.50	36.84	2.33	35.00	2.22	
50%	2	1	36.73	6.11	36.57	6.16	35.30	5.95	33.00	5.50	30.70	5.06	29.16	4.77
	7	6	39.50	6.15	37.60	5.82	35.30	5.40	33.00	5.00	30.70	4.60	29.16	4.35
	12	10	39.91	5.70	37.60	5.32	35.30	4.94	33.00	4.58	30.70	4.23	29.16	3.99
	17	15	39.91	5.14	37.60	4.80	35.30	4.47	33.00	4.15	30.70	3.83	29.16	3.63
	22	20	39.91	4.68	37.60	4.37	35.30	4.08	33.00	3.79	30.70	3.51	29.16	3.32
	27	24	39.91	4.36	37.60	4.08	35.30	3.81	33.00	3.54	30.70	3.29	29.16	3.12
	32	29	39.91	4.02	37.60	3.77	35.30	3.52	33.00	3.28	30.70	3.04	29.16	2.89
	37	34	39.91	3.73	37.60	3.50	35.30	3.27	33.00	3.05	30.70	2.84	29.16	2.70
	42	38	39.91	3.52	37.60	3.31	35.30	3.10	33.00	2.89	30.70	2.69	29.16	2.56
	47	43	39.91	3.30	37.60	3.10	35.30	2.91	33.00	2.72	30.70	2.53	29.16	2.41
	52	47	39.91	3.14	37.60	2.95	35.30	2.77	33.00	2.59	30.70	2.41	29.16	2.30
	57	52	39.91	2.96	37.60	2.78	35.30	2.61	33.00	2.45	30.70	2.28	29.16	2.18
	62	56	39.91	2.83	37.60	2.66	35.30	2.50	33.00	2.35	30.70	2.19	29.16	2.09
	67	61	39.91	2.68	37.60	2.53	35.30	2.38	33.00	2.23	30.70	2.08	29.16	1.99
	72	66	39.91	2.55	37.60	2.40	35.30	2.26	33.00	2.12	30.70	1.99	29.16	1.90
77	67	39.91	2.52	37.60	2.38	35.30	2.24	33.00	2.10	30.70	1.97	29.16	1.88	

NOTE - All Total Capacity and Power Input Data at 2°F Dry Bulb / 1°F Wet Bulb Outdoor Temperature is simulated at these operating conditions. **Recommended minimum heating operating temperature is 5°F.**
 Power Input = Compressor + Outdoor Fan Motor.
 MBH = 1000 BTUs per hour.

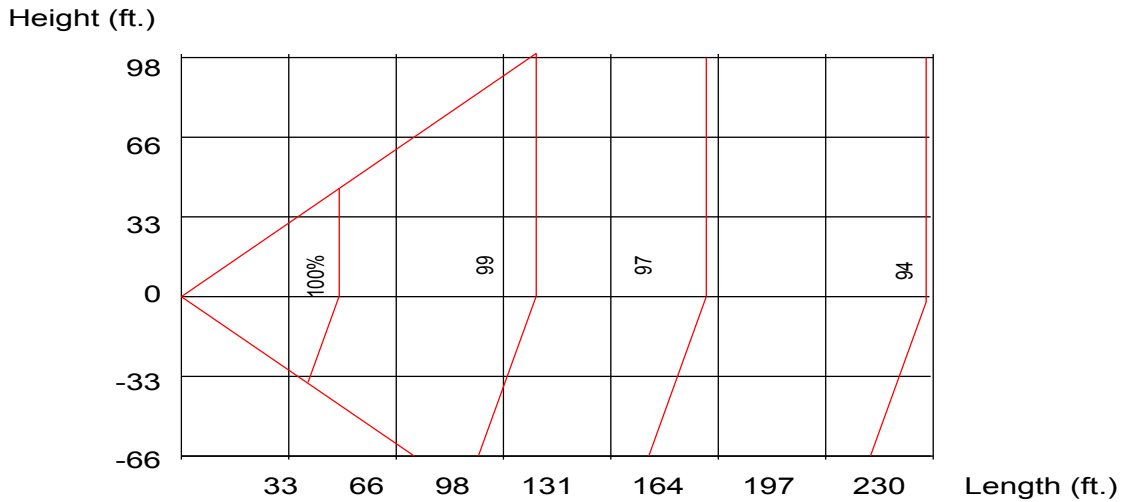
CORRECTION FACTORS - COOLING AND HEATING

COOLING AND HEATING CAPACITY CORRECTION FACTORS

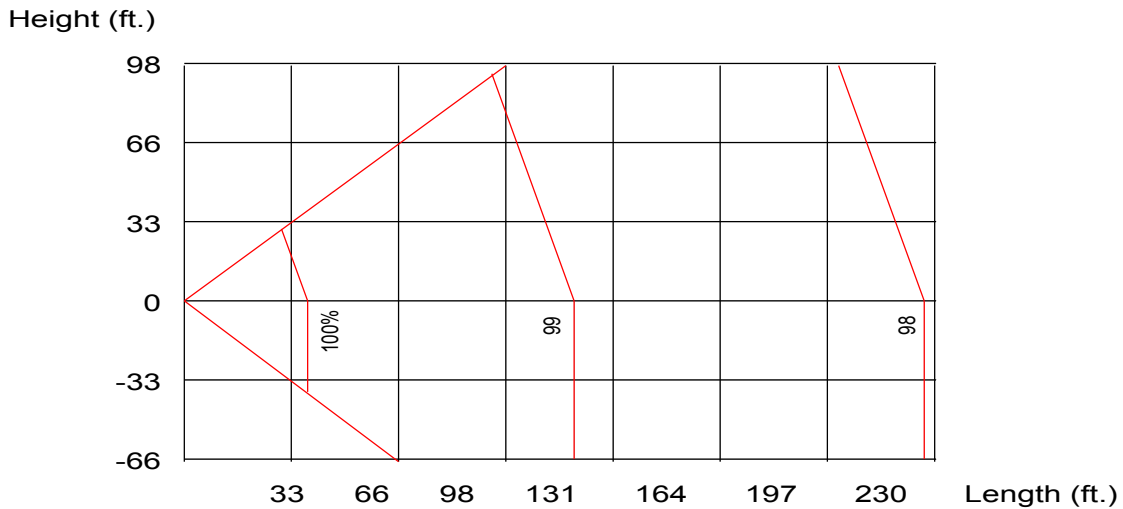
Cooling Capacity Modification

Modification coefficient of the length and height difference of refrigerant pipe:

Cooling Capacity Modification



Heating Capacity Modification



L = Length of equivalent refrigerant pipe.

H = Height difference between outdoor and indoor unit.

Positive data means outdoor unit is above indoor unit.

Negative data means outdoor unit is below indoor unit.

CORRECTION FACTORS - DEFROST DERATE CAPACITY

Outdoor Temperature DB (°F)	5	14	17	19.4	23	26.6	32	37.4	41	47
Derate Factor	0.98	0.98	0.98	0.98	0.95	0.93	0.86	0.93	0.96	1.00

NOTE - Derate Factor - Use the capacity obtained in the heating rating table and apply the appropriate correction factor based on the outdoor temperature to obtain the average performance including the defrost cycle.

REVISIONS

Sections	Description of Change
Specifications	AHRI ratings updated.



Visit us at www.lennox.com

For the latest technical information, www.lennoxcommercial.com

Contact us at 1-800-4-LENNOX

NOTE - Due to Lennox' ongoing commitment to quality, Specifications, Ratings and Dimensions subject to change without notice and without incurring liability. Improper installation, adjustment, alteration, service or maintenance can cause property damage or personal injury. Installation and service must be performed by a qualified installer and servicing agency.

©2018 Lennox Industries, Inc.