



**VARIABLE REFRIGERANT FLOW SYSTEMS**

**VRF**

**VRA**

**Heat Recovery Outdoor Unit - 60HZ**

**PRODUCT SPECIFICATIONS**

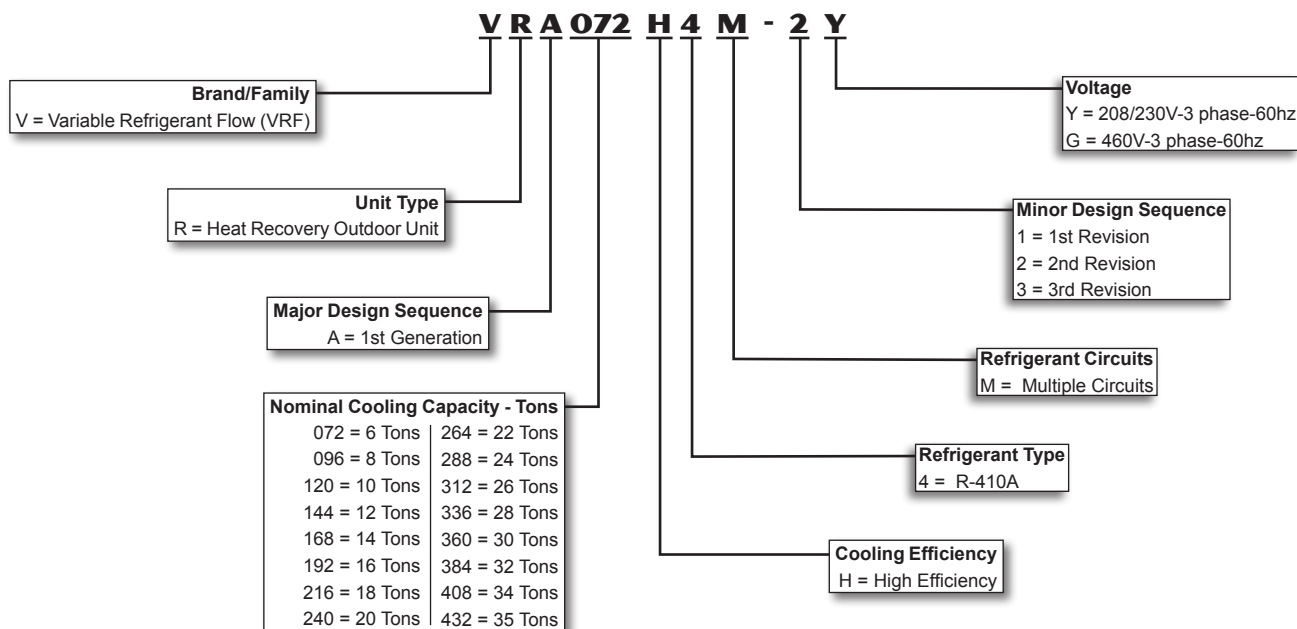
Bulletin No. 210689  
 May 2018  
 Supersedes March 2018



**ASHRAE 90.1  
 COMPLIANT**

**6 to 35 Tons**

**MODEL NUMBER IDENTIFICATION**



## FEATURES/BENEFITS

### CONTENTS

AHRI Ratings .....	5
Capacity Tables Index.....	14
Dimensions .....	11
Dimensions - Piping Details.....	12
Electrical Data - Individual Outdoor Units.....	4
Features/Benefits.....	2
Installation Clearances .....	13
Model Number Identification.....	1
Sound Data.....	9
Specifications - Individual Outdoor Units.....	4
System Combinations.....	3
System Selection .....	111

### OVERVIEW

Variable-capacity outdoor units modulate the amount of refrigerant needed based on cooling and heating demands allowing for reduced energy usage at partial load conditions.

Heat Recovery units allow some indoor units to heat and other indoor units to cool simultaneously as required, while the compressor load benefits from the internal heat recovery.

### APPROVALS

AHRI Certified to AHRI Standard 1230-2014.

All models are ASHRAE 90.1 compliant.

Units are ETL certified for the U.S. and Canada.

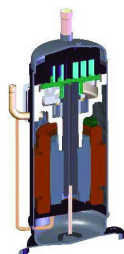
### WARRANTY

**Compressor and all Covered Components** - Limited ten years for qualifying installations.

See Warranty Certificate for details.

### FEATURES

- **Capacity** - Ranges from 6 to 35 tons in 2-ton increments. Up to 63 indoor units (with capacity up to 130% of total outdoor units) can be connected to one refrigeration system.
- **Compressor** - High efficiency variable capacity scroll compressor is direct current inverter controlled. Reduces power consumption by as much as 25% by varying compressor motor input frequency and voltage. Compressor is designed for R-410A refrigerant.
- **Direct Current Outdoor Fan Motor**
  - Outdoor unit control varies the speed of the outdoor fan motor (up to 18 steps) based on load and refrigerant discharge pressure for minimum energy consumption. Standard on all outdoor unit models.



- **Outdoor Fan Grille** - Enhanced design reduces sound levels.



- **Outdoor Fan Blade Profile** - Aerodynamically designed fan blade increases the airflow rate and reduces vibration and sound.
- **High External Static Pressure** - High-static pressure outdoor fan adapts to various installation environments. Offers up to 0.25 in. w.g. external static pressure for custom applications. A standard 0.08 to 0.25 in. w.g. function is furnished as standard.
- **High Performance Outdoor Coil** - Special fin design pattern reduces air resistance and increases heat transfer. Rifled tubing provides superior refrigerant flow resulting in maximum heat transfer. Hydrophilic coating reduces condensate build-up and improves water drainage from coil, enhancing heat transfer performance.
- **Operation Range** - System will operate at temperatures ranging from 23°F to 118°F in the cooling mode and -13°F to 75°F in the heating mode.
- **Flexible Piping Design** - Supports extended refrigerant piping and drop lengths.
- **Four-Way Valve Control** - Reverses refrigerant flow during cooling or heating modes.
- **Refrigerant Line Connections** - Gas and liquid line service valves and gauge ports are located inside the cabinet.
- **High Pressure Sensor/Switch** - Shuts off unit if abnormal operating conditions cause the discharge pressure to rise above setting. Protects compressor from excessive discharge pressure.
- **Low Pressure Switch** - Shuts off unit if suction pressure falls below setting. Provides loss of charge and freeze-up protection.
- **Unit Control Board** - Contains all necessary relays and controls to setup, maintain and service the system. LED readout aids in system setup, maintenance and servicing. Rotary DIP switches allow outdoor and indoor unit addressing, starting time silent time and mode, static pressure selection, outdoor unit capacity and network addressing. LEDs indicate power supply, unit operation, network operation, inverter module operation.
- **Convenient Communication Wiring** - One set of communication wire is shared among indoor units, outdoor units and the network.



## FEATURES/BENEFITS

### FEATURES (continued)

- **Pulse Meter Connections** - Real-time monitoring of energy consumption through the Lennox VRF manager (LVM) Touchscreen Centralized Controller.

*NOTE - Pulse meter is not furnished and must be field provided.*

- **Cycle Duty and Backup Operation** - In a multiple outdoor unit setup, any outdoor unit can be programmed as the master outdoor unit to maintain system operation during servicing. Master outdoor unit is set on the control board.
- **Precise Oil Control Technology** - Five-stage oil balance and return technology ensures proper compressor operation throughout the system.

- 1st stage: Oil and gas is separate in compressor.
- 2nd stage: High efficiency centrifugal oil separator (efficiency up to 99%) keeps oil from being distributed by high pressure and high temperature refrigerant gas and returns oil to compressor.
- 3rd stage: Refrigerant piping design between compressors keeps proper oil balance.
- 4th stage: Valve between outdoor unit stages maintains proper oil balance.
- 5th stage: Intelligent oil return algorithm implemented through the unit control maintains proper oil balance.



- **Intelligent Soft Start** - Gradually ramps up compressor to speed to conserve energy.
- **Control Box** - Contains main unit controller, DC inverter module, inverter reactor, filter board, outdoor power supply control, DC fan control module, contactor, power transformers and terminal block. Swing-out design allows easy access to compressor compartment.
- **Night Silence Mode** - Reduces the speed of the outdoor fans for quiet operation. Mode is set by DIP switches on the control board. The start time is measured in hours from the daytime peak temperature and the operating time is configurable. Extra silent mode reduces sound levels to a minimum of 45 dBA.

### OPTIONAL ACCESSORIES

#### Hail Guard Kits V8GARD11L11 (14C43)

Flat design allows outdoor modules to be placed close together.

Painted to match the outdoor unit.

Four per box, order one kit per outdoor unit module.

Dimensions (H x W): 48-3/4 x 23 in. (1238 x 584 mm)

Models	No. of Kits Required
072, 096, 120, 144	1
168, 192, 216, 240, 264, 288	2
312, 336, 360, 384, 408, 432	3

### SYSTEM COMBINATIONS

Model No.	Capacity	Outdoor Units Combinations	Maximum Number of Indoor Units
VRA072H4	6 Ton	(1) VRA072H4	13
VRA096H4	8 Ton	(1) VRA096H4	16
VRA120H4	10 Ton	(1) VRA120H4	20
VRA144H4	12 Ton	(1) VRA144H4	26
VRA168H4	14 Ton	(1) VRA096H4 + (1) VRA072H4	29
VRA192H4	16 Ton	(1) VRA096H4 + (1) VRA096H4	33
VRA216H4	18 Ton	(1) VRA120H4 + (1) VRA096H4	36
VRA240H4	20 Ton	(1) VRA120H4 + (1) VRA120H4	39
VRA264H4	22 Ton	(1) VRA120H4 + (1) VRA144H4	46
VRA288H4	24 Ton	(1) VRA144H4 + (1) VRA144H4	50
VRA312H4	26 Ton	(1) VRA120H4 + (1) VRA096H4 + (1) VRA096H4	53
VRA336H4	28 Ton	(1) VRA096H4 + (1) VRA120H4 + (1) VRA120H4	56
VRA360H4	30 Ton	(1) VRA120H4 + (1) VRA120H4 + (1) VRA120H4	60
VRA384H4	32 Ton	(1) VRA120H4 + (1) VRA120H4 + (1) VRA144H4	63
VRA408H4	34 Ton	(1) VRA144H4 + (1) VRA144H4 + (1) VRA120H4	63
VRA432H4	35 Ton	(1) VRA144H4 + (1) VRA144H4 + (1) VRA144H4	63

## SPECIFICATIONS - INDIVIDUAL OUTDOOR UNITS

Model No.		VRA072H4	VRA096H4	VRA120H4	VRA144H4
	Nominal Size - Tons	6	8	10	12
<b>Sound Data</b>	dBA	59	59	60	63
<b>Refrigerant</b>	Type	R-410A	R-410A	R-410A	R-410A
	Charge furnished	28 lbs. 11 oz.	28 lbs. 11 oz.	28 lbs. 11 oz.	28 lbs. 11 oz.
<b>Compressor</b>	No. and Type	(1) DC inverter	(1) DC inverter	(1) DC inverter	(2) DC inverter
	Crankcase heater - W	(2) 30	(2) 30	(2) 30	(4) 30
	Refrigerant oil type	FVC68D	FVC68D	FVC68D	FVC68D
	Refrigerant oil charge	37.1 oz.	37.1 oz.	37.1 oz.	(2) 16.9 oz.
<b>Connections - in. (sweat)</b>	Liquid pipe	1/2	1/2	5/8	5/8
	Gas pipe (low pressure)	7/8	7/8	1-1/8	1-1/8
	Gas pipe (high pressure)	7/8	7/8	7/8	7/8
	Gas balance pipe (high pressure)	3/4	3/4	3/4	3/4
	Oil balance pipe	1/4	1/4	1/4	1/4
<b>Outdoor Fans</b>	Quantity, Type and Material	(2) Axial Plastic	(2) Axial Plastic	(2) Axial Plastic	(2) Axial Plastic
	External Static Pressure - in. w.g.	0 - 0.08 (default), adjustable up to 0.24			
	Air volume - cfm	7215	7215	7215	8685
	Motor rpm	930	930	930	1180
<b>Outdoor Coil</b>	Number of rows	3	3	3	3
	Tube pitch (a) × row pitch (b) - in.	7/8×3/4	7/8×3/4	7/8×3/4	7/8×3/4
	Fin spacing - in.	1/16	1/16	1/16	1/16
	Fin type	Hydrophilic aluminium			
	Tube outside diameter - in.	5/16	5/16	5/16	5/16
	Tube type	Rifled copper tubing			
	Coil dimension (W × D × H) - in.	42 × 1-1/2 × 48-1/2	42 × 1-1/2 × 48-1/2	42 × 1-1/2 × 48-1/2	42 × 1-1/2 × 48-1/2
Quantity	2	2	2	2	
Number of circuits	14	14	14	14	
<b>Design Pressure</b>	High/low	650/250	650/250	650/250	650/250
<b>Ambient Temperature Range (°F)</b>	Cooling	23 - 118	23 - 118	23 - 118	23 - 118
	Heating	-13 - 75	-13 - 75	-13 - 75	-13 - 75
	Simultaneous Cooling/Heating	23 - 75	23 - 75	23 - 75	23 - 75
<b>Shipping Data</b>	Net/Shipping weight	635/672	635/672	635/672	741/778
<b>Connectable Indoor Units</b>	Total capacity (%)	50 to 130	50 to 130	50 to 130	50 to 130
	Maximum quantity	13 units	16 units	20 units	26 units
<b>Electrical Data</b>		See separate Electrical Data Table for individual outdoor unit data			

## ELECTRICAL DATA - INDIVIDUAL OUTDOOR UNITS

Model No.		VRA072H4		VRA096H4		VRA120H4		VRA144H4	
		208/230V	460V	208/230V	460V	208/230V	460V	208/230V	460V
	Line voltage data - 60 hz - 3 phase								
	<sup>1</sup> Maximum Overcurrent Protection (amps)	50	30	60	30	60	30	70	35
	<sup>2</sup> Minimum circuit ampacity	33.6	18.7	36.1	20.0	38.6	21.2	53.8	26
<b>Compressor</b>	No. of compressors	1	1	1	1	1	1	2	2
	Rated load amps	24	14	26	15	28	16	24/16	12/8
<b>Outdoor Fan Motor</b>	Motor type	DC	DC	DC	DC	DC	DC	DC	DC
	No. of motors	2	2	2	2	2	2	2	2
	Full load amps	1.8/1.8	0.6/0.6	1.8/1.8	0.6/0.6	1.8/1.8	0.6/0.6	3.9/3.9	1.5/1.5
	Input - W	260/260	260/260	260/260	260/260	260/260	260/260	540/540	580/580
	Output - W	210/210	210/210	210/210	210/210	210/210	210/210	450/450	450/450

### NOTES:

In multiple module systems each outdoor unit requires a separate electrical connection.

Incoming voltage must not be above or below these voltage ranges:

208/230V - 191V minimum, 247V maximum

460V - 423V minimum, 497V maximum

2% Maximum line voltage tolerance between phases.

<sup>1</sup> HACR type circuit breaker or fuse.

<sup>2</sup> Refer to National or Canadian Electrical Code manual to determine wire, fuse and disconnect size requirements.

## AHRI RATINGS - SINGLE MODULE SYSTEMS

**6-8 TONS**

Model No.	Nominal Size - Tons	VRA072H4		VRA096H4	
		6		8	
<sup>1</sup> AHRI Ratings	Indoor System Type	Ducted	Non-Ducted	Ducted	Non-Ducted
	208/230V - 3ph				
	Cooling - Btuh	69,000	69,000	92,000	92,000
	High Temp. Heating - Btuh	77,000	77,000	103,000	103,000
	Low Temp. Heating - Btuh	54,000	54,000	72,000	72,000
	EER	12.00	13.80	11.70	12.40
	IEER	22.70	23.60	22.50	23.50
	<sup>2</sup> SCHE	26.70	30.00	26.70	30.00
	Heating COP 47°F (high)	3.69	4.25	3.57	3.80
	Heating COP 17°F (low)	2.41	2.65	2.30	2.46
	AHRI Reference Number	201847170	201847169	201847174	201847173
460V - 3ph	Cooling - Btuh	69,000	69,000	92,000	92,000
	High Temp. Heating - Btuh	77,000	77,000	103,000	103,000
	Low Temp. Heating - Btuh	54,000	54,000	72,000	72,000
	EER	12.00	13.80	11.70	12.40
	IEER	22.70	23.60	22.50	23.50
	<sup>2</sup> SCHE	26.70	30.00	26.70	30.00
	Heating COP 47°F (high)	3.69	4.25	3.57	3.80
	Heating COP 17°F (low)	2.41	2.65	2.30	2.46
	AHRI Reference Number	201847172	201847171	201847176	201847175

NOTE - Per AHRI, the certified ratings for VRF systems are valid for all combinations of indoor units with the specific outdoor units listed above and in the AHRI Directory of Certified Equipment. Please visit [www.ahridirectory.org](http://www.ahridirectory.org) for further details and latest updates.

<sup>1</sup> Ratings are AHRI certified to AHRI Standard 1230-2014;

- Cooling Ratings - 80°F dry bulb/67°F wet bulb entering indoor coil air and 95°F dry bulb/75°F wet bulb outdoor air temperature.
- High Temperature Heating Ratings - 70°F dry bulb/60°F wet bulb entering indoor coil air and 47°F dry bulb/43°F wet bulb outdoor air temperature.
- Low Temperature Heating Ratings - 70°F dry bulb/60°F wet bulb entering indoor coil air and 17°F dry bulb/15°F wet bulb outdoor air temperature.

<sup>2</sup> SCHE - Simultaneous Heating and Cooling Efficiency.

## AHRI RATINGS - SINGLE MODULE SYSTEMS

**10-12 TONS**

Model No.	Nominal Size - Tons	VRA120H4		VRA144H4	
		10		12	
<sup>1</sup> AHRI Ratings	Indoor System Type	Ducted	Non-Ducted	Ducted	Non-Ducted
	208/230V - 3ph				
	Cooling - Btuh	115,000	115,000	138,000	138,000
	High Temp. Heating - Btuh	120,000	120,000	150,000	150,000
	Low Temp. Heating - Btuh	80,000	80,000	102,000	102,000
	EER	11.00	11.40	10.40	10.60
	IEER	21.50	23.20	18.70	19.50
	<sup>2</sup> SCHE	25.50	30.00	27.70	28.00
	Heating COP 47°F (high)	3.40	3.52	3.20	3.20
	Heating COP 17°F (low)	2.28	2.25	2.15	2.15
	AHRI Reference Number	201847178	201847177	201847182	201847181
460V - 3ph	Cooling - Btuh	115,000	115,000	138,000	138,000
	High Temp. Heating - Btuh	120,000	120,000	150,000	150,000
	Low Temp. Heating - Btuh	80,000	80,000	102,000	102,000
	EER	11.00	11.40	10.40	10.60
	IEER	21.50	23.20	18.70	19.50
	<sup>2</sup> SCHE	25.50	30.00	27.70	28.00
	Heating COP 47°F (high)	3.40	3.52	3.20	3.20
	Heating COP 17°F (low)	2.28	2.25	2.15	2.15
	AHRI Reference Number	201847180	201847179	201847184	201847183

NOTE - Per AHRI, the certified ratings for VRF systems are valid for all combinations of indoor units with the specific outdoor units listed above and in the AHRI Directory of Certified Equipment. Please visit [www.ahridirectory.org](http://www.ahridirectory.org) for further details and latest updates.

<sup>1</sup> Ratings are AHRI certified to AHRI Standard 1230-2014;

- Cooling Ratings - 80°F dry bulb/67°F wet bulb entering indoor coil air and 95°F dry bulb/75°F wet bulb outdoor air temperature.
- High Temperature Heating Ratings - 70°F dry bulb/60°F wet bulb entering indoor coil air and 47°F dry bulb/43°F wet bulb outdoor air temperature.
- Low Temperature Heating Ratings - 70°F dry bulb/60°F wet bulb entering indoor coil air and 17°F dry bulb/15°F wet bulb outdoor air temperature.

<sup>2</sup> SCHE - Simultaneous Heating and Cooling Efficiency.



## AHRI RATINGS - TWO MODULE SYSTEMS

14-16 TONS

Model No.		VRA168H4		VRA192H4		
Outdoor Unit Combinations		(1) VRA072H4 + (1) VRA096H4		(1) VRA096H4 + (1) VRA096H4		
Nominal Size - Tons		14		16		
<sup>1</sup> AHRI Ratings	Indoor System Type	Ducted	Non-Ducted	Ducted	Non-Ducted	
208/230V - 3ph	Cooling - Btuh	160,000	160,000	184,000	184,000	
	High Temp. Heating - Btuh	180,000	180,000	206,000	206,000	
	Low Temp. Heating - Btuh	126,000	126,000	144,000	144,000	
	EER	12.20	12.30	11.50	11.90	
	IEER	22.90	22.70	22.90	22.40	
	<sup>2</sup> SCHE	24.20	26.10	25.30	26.30	
	Heating COP 47°F (high)	3.64	3.74	3.60	3.74	
	Heating COP 17°F (low)	2.35	2.50	2.30	2.40	
	AHRI Reference Number	202095835	202095834	202095843	202095842	
	460V - 3ph	Cooling - Btuh	160,000	160,000	184,000	184,000
		High Temp. Heating - Btuh	180,000	180,000	206,000	206,000
		Low Temp. Heating - Btuh	126,000	126,000	144,000	144,000
		EER	12.20	12.30	11.50	11.90
		IEER	22.90	22.70	22.90	22.40
<sup>2</sup> SCHE		24.20	26.10	25.30	26.30	
Heating COP 47°F (high)		3.64	3.74	3.60	3.74	
Heating COP 17°F (low)		2.35	2.50	2.30	2.40	
AHRI Reference Number		202095837	202095836	202095845	202095844	

NOTE - Per AHRI, the certified ratings for VRF systems are valid for all combinations of indoor units with the specific outdoor units listed above and in the AHRI Directory of Certified Equipment. Please visit [www.ahridirectory.org](http://www.ahridirectory.org) for further details and latest updates.

<sup>1</sup> Nominal capacity with 25 ft. of equivalent refrigerant lines and 0 ft. height difference.

<sup>2</sup> Ratings are AHRI certified to AHRI Standard 1230-2014;

• Cooling Ratings - 80°F dry bulb/67°F wet bulb entering indoor coil air and 95°F dry bulb/75°F wet bulb outdoor air temperature.

• High Temperature Heating Ratings - 70°F dry bulb/60°F wet bulb entering indoor coil air and 47°F dry bulb/43°F wet bulb outdoor air temperature.

• Low Temperature Heating Ratings - 70°F dry bulb/60°F wet bulb entering indoor coil air and 17°F dry bulb/15°F wet bulb outdoor air temperature.

<sup>3</sup> SCHE - Simultaneous Heating and Cooling Efficiency.

## AHRI RATINGS - TWO MODULE SYSTEMS

18-20 TONS

Model No.		VRA216H4		VRA240H4		
Outdoor Unit Combinations		(1) VRA096H4 + (1) VRA120H4		(1) VRA120H4 + (1) VRA120H4		
Nominal Size - Tons		18		20		
<sup>1</sup> AHRI Ratings	Indoor System Type	Ducted	Non-Ducted	Ducted	Non-Ducted	
208/230V - 3ph	Cooling - Btuh	206,000	206,000	230,000	230,000	
	High Temp. Heating - Btuh	224,000	224,000	240,000	240,000	
	Low Temp. Heating - Btuh	152,000	152,000	160,000	160,000	
	EER	11.10	11.60	10.80	11.30	
	IEER	21.00	20.70	20.60	20.50	
	<sup>2</sup> SCHE	26.20	26.50	26.10	26.50	
	Heating COP 47°F (high)	3.54	3.50	3.44	3.49	
	Heating COP 17°F (low)	2.25	2.25	2.25	2.25	
	AHRI Reference Number	201847194	201847193	201847198	201847197	
	460V - 3ph	Cooling - Btuh	206,000	206,000	230,000	230,000
		High Temp. Heating - Btuh	224,000	224,000	240,000	240,000
		Low Temp. Heating - Btuh	152,000	152,000	160,000	160,000
		EER	11.10	11.60	10.80	11.30
		IEER	21.00	20.70	20.60	20.50
<sup>2</sup> SCHE		26.20	26.50	26.10	26.50	
Heating COP 47°F (high)		3.54	3.50	3.44	3.49	
Heating COP 17°F (low)		2.25	2.25	2.25	2.25	
AHRI Reference Number		201847196	201847195	201847200	201847199	

NOTE - Per AHRI, the certified ratings for VRF systems are valid for all combinations of indoor units with the specific outdoor units listed above and in the AHRI Directory of Certified Equipment. Please visit [www.ahridirectory.org](http://www.ahridirectory.org) for further details and latest updates.

<sup>1</sup> Ratings are AHRI certified to AHRI Standard 1230-2014;

• Cooling Ratings - 80°F dry bulb/67°F wet bulb entering indoor coil air and 95°F dry bulb/75°F wet bulb outdoor air temperature.

• High Temperature Heating Ratings - 70°F dry bulb/60°F wet bulb entering indoor coil air and 47°F dry bulb/43°F wet bulb outdoor air temperature.

• Low Temperature Heating Ratings - 70°F dry bulb/60°F wet bulb entering indoor coil air and 17°F dry bulb/15°F wet bulb outdoor air temperature.

<sup>2</sup> SCHE - Simultaneous Heating and Cooling Efficiency.

## AHRI RATINGS - TWO MODULE SYSTEMS

22-24 TONS

Model No.		VRA264H4		VRA288H4	
Outdoor Unit Combinations		(1) VRA120H4 + (1) VRA144H4		(1) VRA144H4 + (1) VRA144H4	
Nominal Size - Tons		22		24	
1 AHRI Ratings	Indoor System Type	Ducted	Non-Ducted	Ducted	Non-Ducted
		208/230V - 3ph	Cooling - Btuh	252,000	252,000
	High Temp. Heating - Btuh	270,000	270,000	300,000	300,000
	Low Temp. Heating - Btuh	178,000	178,000	200,000	200,000
	EER	10.30	10.70	9.50	10.10
	IEER	19.00	19.00	18.00	18.00
	<sup>2</sup> SCHE	25.00	25.50	26.00	22.20
	Heating COP 47°F (high)	3.20	3.20	3.20	3.20
	Heating COP 17°F (low)	2.05	2.05	2.05	2.05
	AHRI Reference Number	201847202	201847201	201847206	201847205
460V - 3ph	Cooling - Btuh	252,000	252,000	276,000	276,000
	High Temp. Heating - Btuh	270,000	270,000	300,000	300,000
	Low Temp. Heating - Btuh	178,000	178,000	200,000	200,000
	EER	10.30	10.70	9.50	10.10
	IEER	19.00	19.00	18.00	18.00
	<sup>2</sup> SCHE	25.00	25.50	26.00	22.20
	Heating COP 47°F (high)	3.20	3.20	3.20	3.20
	Heating COP 17°F (low)	2.05	2.05	2.05	2.05
	AHRI Reference Number	201847204	201847203	201847208	201847207

NOTE - Per AHRI, the certified ratings for VRF systems are valid for all combinations of indoor units with the specific outdoor units listed above and in the AHRI Directory of Certified Equipment. Please visit [www.ahridirectory.org](http://www.ahridirectory.org) for further details and latest updates.

<sup>1</sup> Ratings are AHRI certified to AHRI Standard 1230-2014;

- Cooling Ratings - 80°F dry bulb/67°F wet bulb entering indoor coil air and 95°F dry bulb/75°F wet bulb outdoor air temperature.
- High Temperature Heating Ratings - 70°F dry bulb/60°F wet bulb entering indoor coil air and 47°F dry bulb/43°F wet bulb outdoor air temperature.
- Low Temperature Heating Ratings - 70°F dry bulb/60°F wet bulb entering indoor coil air and 17°F dry bulb/15°F wet bulb outdoor air temperature.

<sup>2</sup> SCHE - Simultaneous Heating and Cooling Efficiency.

## AHRI RATINGS - THREE MODULE SYSTEMS

26 - 30 TONS

Model No.		VRA312H4		VRA336H4		VRA360H4	
Outdoor Unit Combinations		(1) VRA096H4 + (1) VRA096H4 + (1) VRA120H4		(1) VRA096H4 + (1) VRA120H4 + (1) VRA120H4		(1) VRA120H4 + (1) VRA120H4 + (1) VRA120H4	
Nominal Size - Tons		26		28		30	
1 AHRI Ratings	Indoor System Type	Ducted	Non-Ducted	Ducted	Non-Ducted	Ducted	Non-Ducted
		208/230V - 3ph	Cooling - Btuh	298,000	298,000	320,000	320,000
	High Temp. Heating - Btuh	320,000	320,000	338,000	338,000	354,000	354,000
	Low Temp. Heating - Btuh	218,000	218,000	224,000	224,000	228,000	228,000
	EER	10.70	10.90	10.30	10.70	9.90	9.30
	IEER	21.20	20.80	19.90	19.40	18.50	18.50
	<sup>2</sup> SCHE	22.00	21.50	21.00	21.30	20.20	19.60
	Heating COP 47°F (high)	3.30	3.32	3.25	3.27	3.20	3.20
	Heating COP 17°F (low)	2.24	2.20	2.15	2.10	2.10	2.05
	AHRI Reference Number	202095851	202095850	201847214	201847213	201847218	201847217
460V - 3ph	Cooling - Btuh	298,000	298,000	320,000	320,000	344,000	344,000
	High Temp. Heating - Btuh	320,000	320,000	338,000	338,000	354,000	354,000
	Low Temp. Heating - Btuh	218,000	218,000	224,000	224,000	228,000	228,000
	EER	10.70	10.90	10.30	10.70	9.90	9.30
	IEER	21.20	20.80	19.90	19.40	18.50	18.50
	<sup>2</sup> SCHE	22.00	21.50	21.00	21.30	20.20	19.60
	Heating COP 47°F (high)	3.30	3.32	3.25	3.27	3.20	3.20
	Heating COP 17°F (low)	2.24	2.20	2.15	2.10	2.10	2.05
	AHRI Reference Number	202095853	202095852	201847216	201847215	201847220	201847219

NOTE - Per AHRI, the certified ratings for VRF systems are valid for all combinations of indoor units with the specific outdoor units listed above and in the AHRI Directory of Certified Equipment. Please visit [www.ahridirectory.org](http://www.ahridirectory.org) for further details and latest updates.

<sup>1</sup> Ratings are AHRI certified to AHRI Standard 1230-2014;

- Cooling Ratings - 80°F dry bulb/67°F wet bulb entering indoor coil air and 95°F dry bulb/75°F wet bulb outdoor air temperature.
- High Temperature Heating Ratings - 70°F dry bulb/60°F wet bulb entering indoor coil air and 47°F dry bulb/43°F wet bulb outdoor air temperature.
- Low Temperature Heating Ratings - 70°F dry bulb/60°F wet bulb entering indoor coil air and 17°F dry bulb/15°F wet bulb outdoor air temperature.

<sup>2</sup> SCHE - Simultaneous Heating and Cooling Efficiency.

## AHRI RATINGS - THREE MODULE SYSTEMS

**32-35 TONS**

Model No.		VRA384H4	VRA408H4		VRA432H4			
Outdoor Unit Combinations		(1) VRA120H4 + (1) VRA120H4 + (1) VRA144H4	(1) VRA144H4 + (1) VRA144H4 + (1) VRA120H4		(1) VRA144H4 + (1) VRA144H4 + (1) VRA144H4			
Nominal Size - Tons		32		34		35		
1 AHRI Ratings	Indoor System Type	Ducted	Non-Ducted	Ducted	Non-Ducted	Ducted	Non-Ducted	
	208/230V - 3ph	Cooling - Btuh	366,000	366,000	384,000	384,000	400,000	400,000
High Temp. Heating - Btuh		380,000	370,000	415,000	380,000	440,000	390,000	
Low Temp. Heating - Btuh		252,000	244,000	277,000	268,000	300,000	286,000	
EER		9.50	9.30	9.30	9.30	9.30	9.30	
IEER		18.00	18.00	17.50	17.50	16.70	16.70	
<sup>2</sup> SCHE		23.80	24.00	25.00	24.50	24.80	24.30	
Heating COP 47°F (high)		3.20	3.20	3.20	3.20	3.20	3.20	
Heating COP 17°F (low)		2.05	2.05	2.05	2.05	2.05	2.05	
AHRI Reference Number		201847222	201847221	201847226	201847225	201847230	201847229	
460V - 3ph		Cooling - Btuh	366,000	366,000	384,000	384,000	400,000	400,000
		High Temp. Heating - Btuh	380,000	370,000	415,000	380,000	440,000	390,000
		Low Temp. Heating - Btuh	252,000	244,000	277,000	268,000	300,000	286,000
		EER	9.50	9.30	9.30	9.30	9.30	9.30
		IEER	18.00	18.00	17.50	17.50	16.70	16.70
	<sup>2</sup> SCHE	23.80	24.00	25.00	24.50	24.80	24.30	
	Heating COP 47°F (high)	3.20	3.20	3.20	3.20	3.20	3.20	
	Heating COP 17°F (low)	2.05	2.05	2.05	2.05	2.05	2.05	
	AHRI Reference Number	201847224	201847223	201847228	201847227	201847232	201847231	

NOTE - Per AHRI, the certified ratings for VRF systems are valid for all combinations of indoor units with the specific outdoor units listed above and in the AHRI Directory of Certified Equipment. Please visit [www.ahridirectory.org](http://www.ahridirectory.org) for further details and latest updates.

<sup>1</sup> Ratings are AHRI certified to AHRI Standard 1230-2014;

• Cooling Ratings - 80°F dry bulb/67°F wet bulb entering indoor coil air and 95°F dry bulb/75°F wet bulb outdoor air temperature.

• High Temperature Heating Ratings - 70°F dry bulb/60°F wet bulb entering indoor coil air and 47°F dry bulb/43°F wet bulb outdoor air temperature.

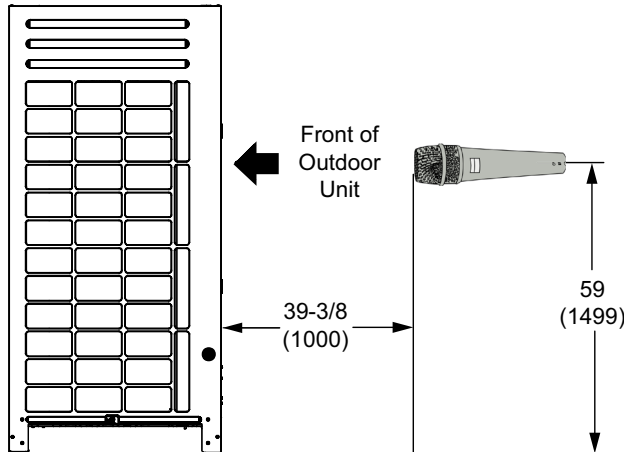
• Low Temperature Heating Ratings - 70°F dry bulb/60°F wet bulb entering indoor coil air and 17°F dry bulb/15°F wet bulb outdoor air temperature.

<sup>2</sup> SCHE - Simultaneous Heating and Cooling Efficiency.



## SOUND DATA

### SOUND LEVELS



#### NOTES:

- Data is valid at free field condition
- Data is valid at nominal operating condition
- Sound level will vary depending on a range of factors such as the construction (acoustic absorption coefficient) of particular room in which the equipment is installed
- Sound level can be increased in static pressure mode or used air guide.

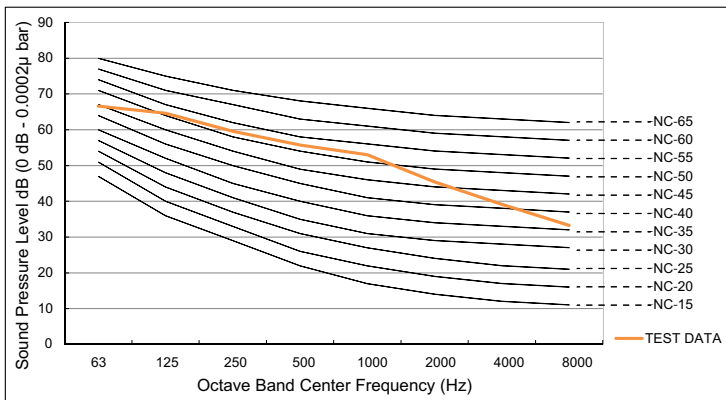
Model	Sound Pressure Levels (dBA)
072	59
096	59
120	60
144	63
168	62
192	62
216	63
240	63
264	65
288	66
312	64
336	64
360	65
384	66
408	67
432	68

# SOUND DATA

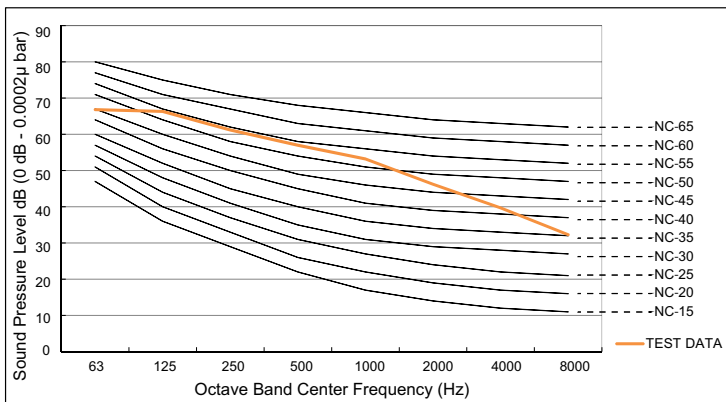
## OCTAVE BAND SOUND DATA

(Tested At 95°F Outdoor Air Temperature At Full Capacity)

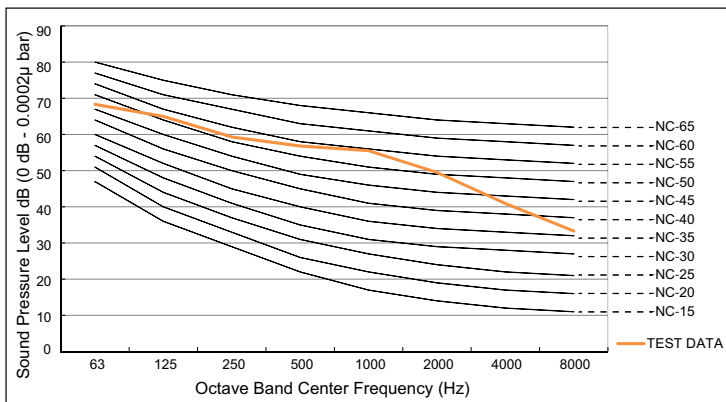
### VRA072H4



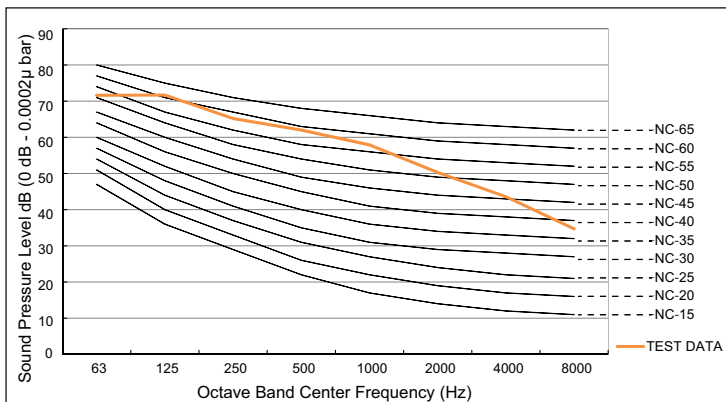
### VRA096H4



### VRA120H4



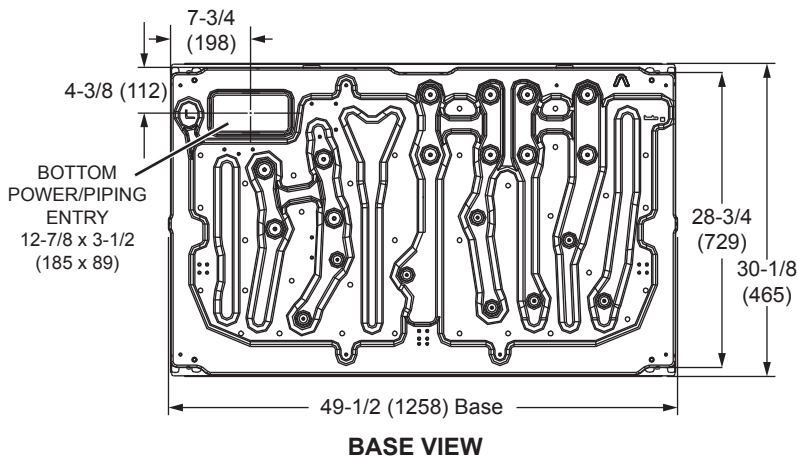
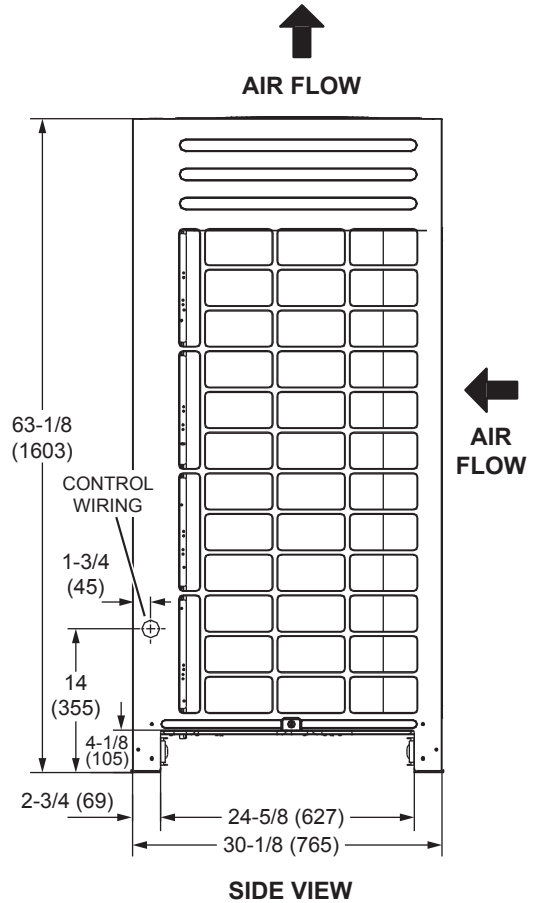
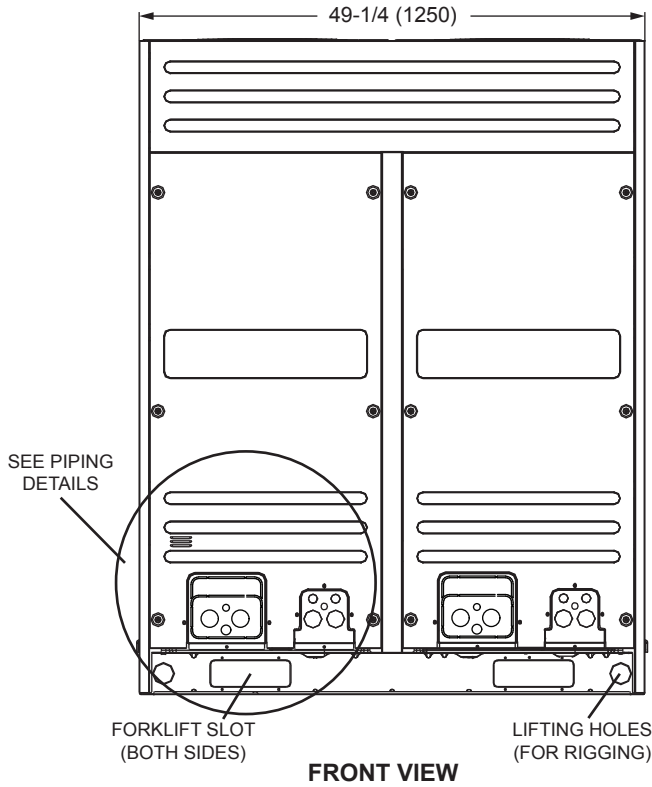
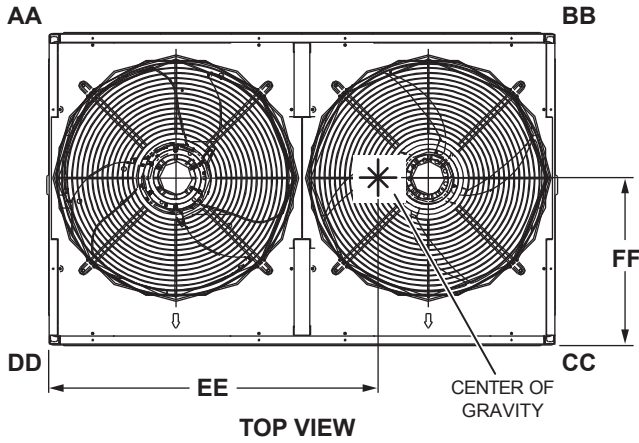
### VRA144H4



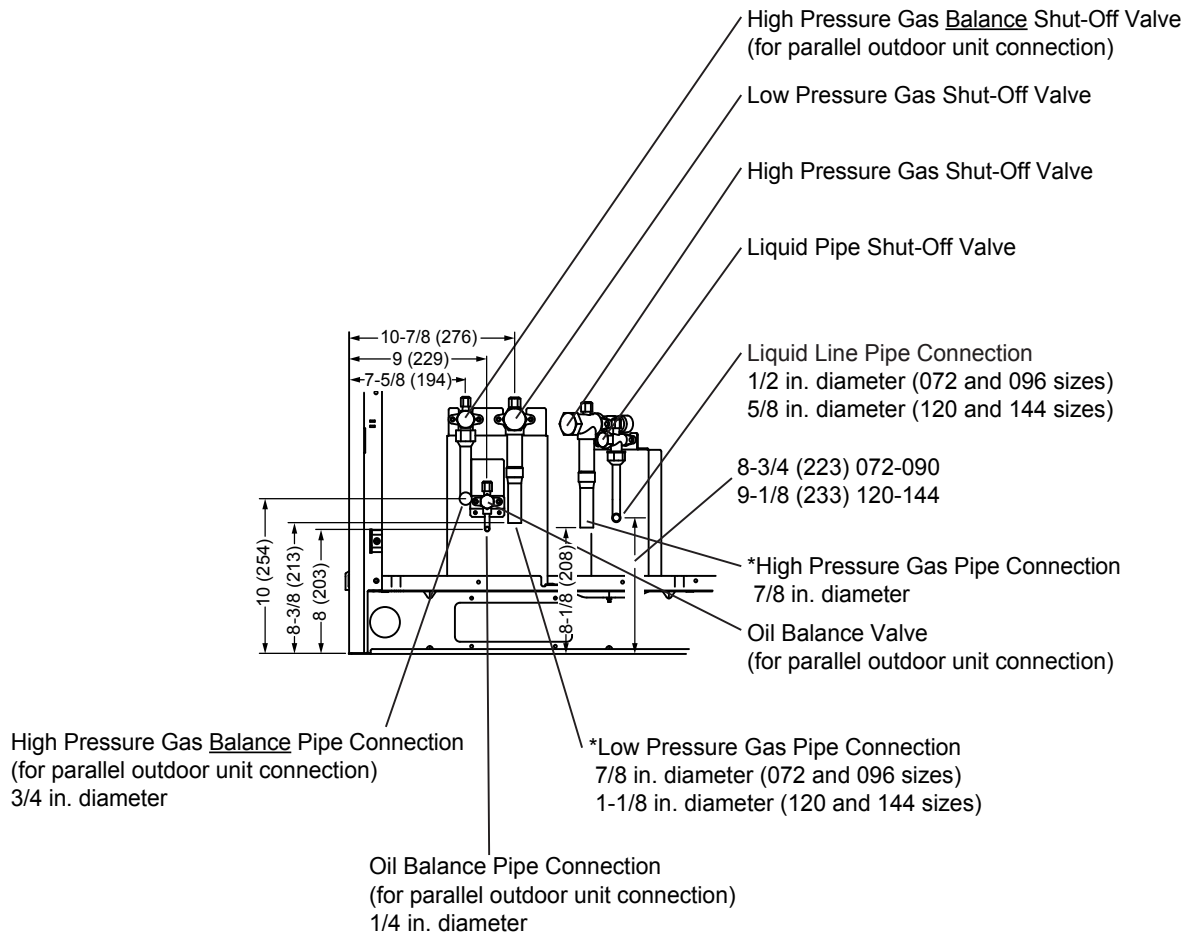
# DIMENSIONS - INCHES (MM)

## CORNER WEIGHTS

Model No.	AA		BB		CC		DD		CENTER OF GRAVITY			
	lbs.	kg	lbs.	kg	lbs.	kg	lbs.	kg	EE		FF	
									in.	mm	in.	mm
VRA072, 096, 120	138	63	153	70	181	82	163	74	26	660	13-7/8	351
VRA144	124	57	155	71	256	116	205	93	27-1/2	699	11-3/8	289



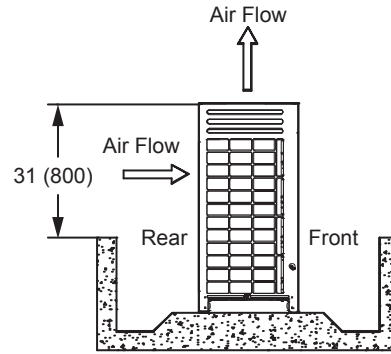
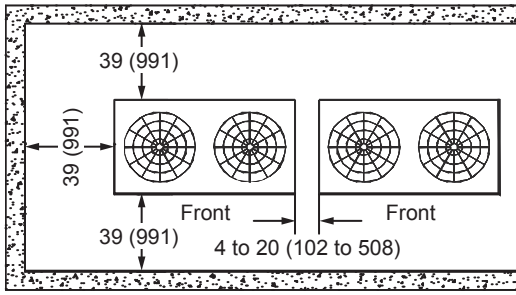
## DIMENSIONS - PIPING DETAILS - INCHES (MM)



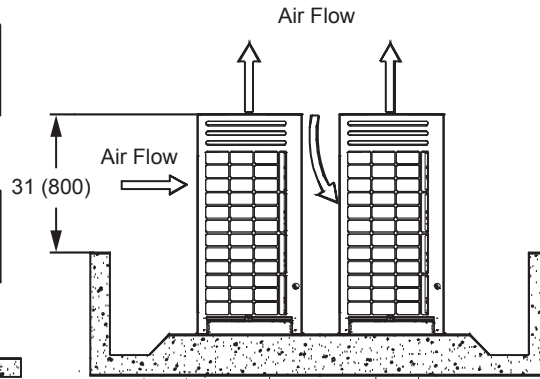
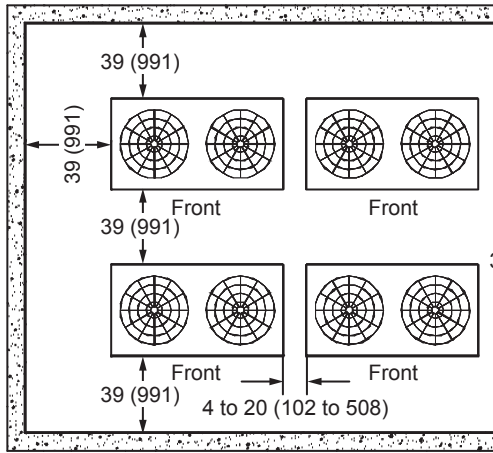
\*NOTE - Two 90° Elbows are furnished for Low Pressure and High Pressure Gas Pipe Connections from the front of the unit.

# INSTALLATION CLEARANCES - INCHES (MM)

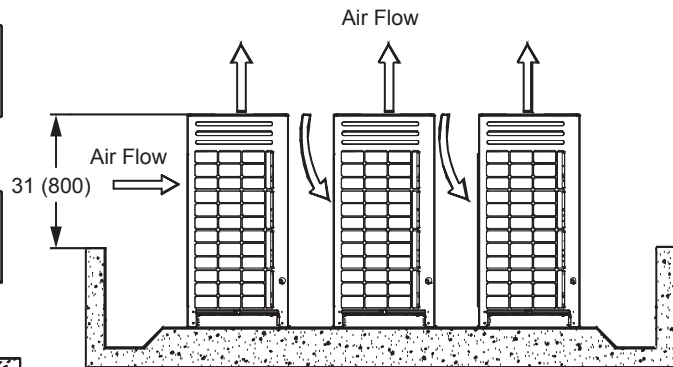
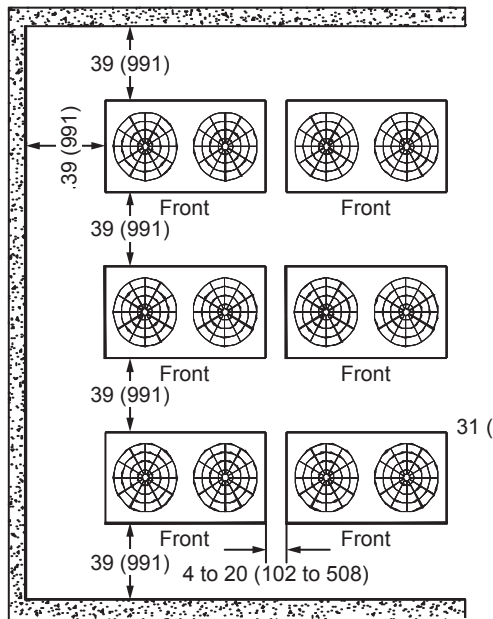
## SINGLE ROW



## TWO ROWS



## THREE OR MORE ROWS





## CAPACITY TABLES INDEX

### CAPACITY TABLES

Cooling Capacity - Single Module - VRA072H4 . . . . .	15
Heating Capacity - Single Module - VRA072H4 . . . . .	18
Cooling Capacity - Single Module - VRA096H4 . . . . .	21
Heating Capacity - Single Module - VRA096H4 . . . . .	24
Cooling Capacity - Single Module - VRA120H4 . . . . .	27
Heating Capacity - Single Module - VRA120H4 . . . . .	30
Cooling Capacity - Single Module - VRA144H4 . . . . .	33
Heating Capacity - Single Module - VRA144H4 . . . . .	36
<hr/>	
Cooling Capacity - Two Module - VRA168H4 . . . . .	39
Heating Capacity - Two Module - VRA168H4 . . . . .	42
Cooling Capacity - Two Module - VRA192H4 . . . . .	45
Heating Capacity - Two Module - VRA192H4 . . . . .	48
Cooling Capacity - Two Module - VRA216H4 . . . . .	51
Heating Capacity - Two Module - VRA216H4 . . . . .	54
Cooling Capacity - Two Module - VRA240H4 . . . . .	57
Heating Capacity - Two Module - VRA240H4 . . . . .	60
Cooling Capacity - Two Module - VRA264H4 . . . . .	63
Heating Capacity - Two Module - VRA264H4 . . . . .	66
Cooling Capacity - Two Module - VRA288H4 . . . . .	69
Heating Capacity - Two Module - VRA288H4 . . . . .	72
<hr/>	
Cooling Capacity - Three Module - VRA312H4 . . . . .	75
Heating Capacity - Three Module - VRA312H4 . . . . .	78
Cooling Capacity - Three Module - VRA336H4 . . . . .	81
Heating Capacity - Three Module - VRA336H4 . . . . .	84
Cooling Capacity - Three Module - VRA360H4 . . . . .	87
Heating Capacity - Three Module - VRA360H4 . . . . .	90
Cooling Capacity - Three Module - VRA384H4 . . . . .	93
Heating Capacity - Three Module - VRA384H4 . . . . .	96
Cooling Capacity - Three Module - VRA408H4 . . . . .	99
Heating Capacity - Three Module - VRA408H4 . . . . .	102
Cooling Capacity - Three Module - VRA432H4 . . . . .	105
Heating Capacity - Three Module - VRA432H4 . . . . .	108

# COOLING CAPACITY - SINGLE MODULE - VRA072H4

Combination (%)	Outdoor Temperature °F (Dry Bulb)	Indoor Temperature - °F (Dry Bulb / Wet Bulb)											
		67 / 57		71 / 60		75 / 63		80 / 67		85 / 71		90 / 75	
		Total Cap.	Power Input	Total Cap.	Power Input	Total Cap.	Power Input	Total Cap.	Power Input	Total Cap.	Power Input	Total Cap.	Power Input
		MBH	kW	MBH	kW	MBH	kW	MBH	kW	MBH	kW	MBH	kW
130%	25	58.17	2.11	67.66	2.50	77.08	2.91	89.70	3.46	97.07	3.66	99.12	3.51
	30	58.17	2.16	67.66	2.56	77.08	2.97	89.70	3.54	95.35	3.64	97.75	3.48
	35	58.17	2.21	67.66	2.62	77.08	3.05	89.70	3.63	93.87	3.61	96.26	3.45
	40	58.17	2.27	67.66	2.69	77.08	3.12	89.70	3.71	92.38	3.58	94.78	3.42
	45	58.17	2.32	67.66	2.75	77.08	3.20	88.31	3.70	90.83	3.55	93.20	3.39
	50	58.17	2.37	67.66	2.82	77.08	3.28	86.92	3.68	89.27	3.52	91.62	3.36
	55	58.17	2.43	67.66	2.89	77.08	3.36	85.36	3.67	87.71	3.52	90.06	3.45
	60	58.17	2.50	67.66	2.97	77.08	3.46	83.81	3.70	86.15	3.68	88.50	3.72
	65	58.17	2.61	67.66	3.12	77.03	3.71	81.31	3.98	83.66	4.10	86.01	4.15
	70	58.17	2.67	67.66	3.32	76.19	3.93	80.69	4.16	82.99	4.21	85.39	4.26
	75	58.17	2.93	67.66	3.65	75.17	4.22	79.06	4.42	81.46	4.48	83.85	4.53
	80	58.17	3.21	67.66	4.00	74.13	4.53	77.51	4.69	79.90	4.75	82.30	4.80
	85	58.17	3.51	67.66	4.39	73.09	4.84	75.95	4.96	78.34	5.02	80.74	5.07
	90	58.17	3.84	67.55	4.79	72.00	5.16	74.39	5.23	76.79	5.29	79.04	5.35
	95	58.17	4.19	66.58	5.10	70.53	5.43	72.83	5.50	75.09	5.56	75.61	5.58
	100	58.17	4.58	65.39	5.39	68.97	5.70	71.04	5.76	71.74	5.79	71.78	5.79
	105	58.17	5.03	64.21	5.75	67.14	6.02	67.85	6.04	67.95	6.04	67.95	6.04
	110	58.17	5.60	62.56	6.19	64.02	6.38	64.11	6.38	64.11	6.38	64.11	6.38
115	55.20	6.43	55.27	6.44	55.42	6.45	55.58	6.45	55.73	6.46	55.87	6.48	
118	47.47	5.86	47.53	5.87	47.66	5.88	47.80	5.88	47.93	5.89	48.05	5.90	
120%	25	53.76	1.94	62.46	2.29	71.17	2.65	82.80	3.15	93.84	3.63	97.89	3.61
	30	53.76	1.98	62.46	2.34	71.17	2.71	82.80	3.23	93.05	3.66	95.83	3.59
	35	53.76	2.02	62.46	2.39	71.17	2.78	82.80	3.31	91.98	3.67	94.44	3.57
	40	53.76	2.06	62.46	2.45	71.17	2.85	82.80	3.39	90.90	3.68	93.05	3.54
	45	53.76	2.12	62.46	2.51	71.17	2.92	82.80	3.48	89.34	3.65	91.52	3.51
	50	53.76	2.17	62.46	2.57	71.17	2.99	82.80	3.57	87.78	3.63	89.99	3.48
	55	53.76	2.23	62.46	2.64	71.17	3.07	82.80	3.65	86.23	3.60	88.43	3.48
	60	53.76	2.29	62.46	2.71	71.17	3.15	82.32	3.71	84.67	3.68	86.87	3.69
	65	53.76	2.38	62.46	2.83	71.17	3.33	80.19	3.89	82.18	4.05	84.38	4.11
	70	53.76	2.41	62.46	2.95	71.17	3.57	79.35	4.14	81.55	4.19	83.76	4.22
	75	53.76	2.62	62.46	3.25	71.17	3.93	77.82	4.40	79.97	4.45	82.13	4.50
	80	53.76	2.88	62.46	3.56	71.11	4.30	76.26	4.67	78.42	4.72	80.57	4.76
	85	53.76	3.14	62.46	3.90	70.50	4.64	74.70	4.93	76.86	4.98	79.01	5.03
	90	53.76	3.43	62.46	4.27	69.46	4.95	73.14	5.19	75.30	5.25	77.46	5.31
	95	53.76	3.73	62.46	4.66	68.43	5.27	71.59	5.46	73.74	5.53	75.61	5.58
	100	53.76	4.08	62.46	5.09	67.39	5.60	70.03	5.73	71.56	5.78	71.78	5.79
	105	53.76	4.47	62.22	5.57	66.23	5.98	67.75	6.03	67.95	6.04	67.95	6.04
	110	53.76	4.98	61.17	6.02	63.89	6.38	64.11	6.38	64.11	6.38	64.11	6.38
115	53.76	5.56	54.91	6.22	55.42	6.45	55.58	6.45	55.73	6.46	55.87	6.48	
118	47.47	5.20	47.53	5.71	47.66	5.88	47.80	5.88	47.93	5.89	48.05	5.90	
110%	25	49.26	1.77	57.24	2.08	65.26	2.40	75.90	2.85	86.54	3.32	96.16	3.71
	30	49.26	1.80	57.24	2.12	65.26	2.45	75.90	2.92	86.54	3.40	94.59	3.70
	35	49.26	1.84	57.24	2.17	65.26	2.51	75.90	2.99	86.54	3.48	93.01	3.67
	40	49.26	1.88	57.24	2.22	65.26	2.58	75.90	3.06	86.54	3.57	91.43	3.65
	45	49.26	1.93	57.24	2.28	65.26	2.64	75.90	3.14	85.94	3.61	89.89	3.62
	50	49.26	1.97	57.24	2.33	65.26	2.70	75.90	3.22	85.34	3.65	88.36	3.59
	55	49.26	2.02	57.24	2.39	65.26	2.77	75.90	3.31	84.49	3.68	86.71	3.56
	60	49.26	2.07	57.24	2.46	65.26	2.85	75.90	3.40	83.18	3.71	85.15	3.66
	65	49.26	2.16	57.24	2.57	65.26	2.98	75.90	3.62	80.69	3.94	82.66	4.09
	70	49.26	2.18	57.24	2.63	65.26	3.14	75.90	3.91	80.07	4.16	82.03	4.20
	75	49.26	2.34	57.24	2.87	65.26	3.45	75.90	4.32	78.54	4.42	80.50	4.46
	80	49.26	2.55	57.24	3.14	65.26	3.79	75.01	4.63	76.98	4.68	78.94	4.73
	85	49.26	2.79	57.24	3.44	65.26	4.15	73.41	4.90	75.42	4.95	77.39	5.00
	90	49.26	3.04	57.24	3.76	65.26	4.55	71.80	5.16	73.86	5.22	75.83	5.26
	95	49.26	3.32	57.24	4.10	65.26	4.96	70.25	5.43	72.26	5.49	74.27	5.55
	100	49.26	3.60	57.24	4.48	64.80	5.35	68.69	5.69	70.61	5.75	71.78	5.79
	105	49.26	3.96	57.24	4.93	63.75	5.73	67.18	6.01	67.91	6.04	67.95	6.04
	110	49.26	4.40	57.24	5.49	62.64	6.20	64.11	6.38	64.11	6.38	64.11	6.38
115	49.26	4.90	53.79	6.05	55.42	6.45	55.58	6.45	55.73	6.46	55.87	6.48	
118	47.47	5.01	47.53	5.67	47.66	5.88	47.80	5.88	47.93	5.89	48.05	5.90	

NOTE - Power Input = Compressor + Outdoor Fan Motor.  
MBH = 1000 BTUs per hour.

## COOLING CAPACITY - SINGLE MODULE - VRA072H4

Combination (%)	Outdoor Temperature °F (Dry Bulb)	Indoor Temperature - °F (Dry Bulb / Wet Bulb)											
		67 / 57		71 / 60		75 / 63		80 / 67		85 / 71		90 / 75	
		Total Cap.	Power Input	Total Cap.	Power Input	Total Cap.	Power Input	Total Cap.	Power Input	Total Cap.	Power Input	Total Cap.	Power Input
		MBH	kW	MBH	kW	MBH	kW	MBH	kW	MBH	kW	MBH	kW
100%	25	44.75	1.60	52.01	1.87	59.29	2.15	69.00	2.55	78.68	2.97	88.36	3.40
	30	44.75	1.63	52.01	1.91	59.29	2.20	69.00	2.61	78.68	3.04	88.36	3.48
	35	44.75	1.67	52.01	1.96	59.29	2.26	69.00	2.68	78.68	3.12	88.36	3.57
	40	44.75	1.71	52.01	2.00	59.29	2.31	69.00	2.74	78.68	3.19	88.36	3.65
	45	44.75	1.74	52.01	2.05	59.29	2.37	69.00	2.81	78.68	3.27	87.50	3.68
	50	44.75	1.78	52.01	2.10	59.29	2.43	69.00	2.89	78.68	3.36	86.63	3.71
	55	44.75	1.82	52.01	2.15	59.29	2.49	69.00	2.96	78.68	3.45	85.08	3.68
	60	44.75	1.87	52.01	2.20	59.29	2.56	69.00	3.04	78.68	3.54	83.52	3.70
	65	44.75	1.95	52.01	2.30	59.29	2.67	69.00	3.17	78.39	3.79	81.03	3.96
	70	44.75	1.97	52.01	2.33	59.29	2.75	69.00	3.40	77.67	4.04	80.40	4.16
	75	44.75	2.06	52.01	2.52	59.29	3.01	69.00	3.74	76.91	4.37	78.87	4.42
	80	44.75	2.26	52.01	2.76	59.29	3.30	69.00	4.11	75.49	4.65	77.31	4.69
	85	44.75	2.46	52.01	3.02	59.29	3.62	69.00	4.51	73.94	4.91	75.76	4.95
	90	44.75	2.67	52.01	3.29	59.29	3.95	69.00	4.93	72.38	5.17	74.20	5.23
	95	44.75	2.91	52.01	3.58	59.29	4.31	69.00	5.39	70.82	5.44	72.64	5.50
	100	44.75	3.17	52.01	3.90	59.29	4.71	67.44	5.66	69.26	5.71	70.92	5.76
	105	44.75	3.47	52.01	4.29	59.29	5.18	65.87	5.97	67.47	6.03	67.95	6.04
	110	44.75	3.86	52.01	4.78	59.29	5.78	64.11	6.38	64.11	6.38	64.11	6.38
115	44.75	4.28	52.01	5.32	55.14	6.19	55.58	6.45	55.73	6.46	55.87	6.48	
118	44.75	4.54	45.77	4.96	47.66	5.67	47.80	5.88	47.93	5.89	48.05	5.90	
90%	25	40.25	1.44	46.79	1.68	53.38	1.92	62.10	2.27	70.82	2.63	79.54	3.01
	30	40.25	1.47	46.79	1.71	53.38	1.96	62.10	2.33	70.82	2.70	79.54	3.08
	35	40.25	1.50	46.79	1.75	53.38	2.01	62.10	2.38	70.82	2.76	79.54	3.15
	40	40.25	1.53	46.79	1.79	53.38	2.06	62.10	2.43	70.82	2.83	79.54	3.23
	45	40.25	1.56	46.79	1.83	53.38	2.11	62.10	2.49	70.82	2.90	79.54	3.32
	50	40.25	1.60	46.79	1.88	53.38	2.16	62.10	2.55	70.82	2.97	79.54	3.40
	55	40.25	1.63	46.79	1.92	53.38	2.21	62.10	2.62	70.82	3.05	79.54	3.49
	60	40.25	1.68	46.79	1.97	53.38	2.27	62.10	2.69	70.82	3.13	79.54	3.58
	65	40.25	1.75	46.79	2.05	53.38	2.36	62.10	2.81	70.82	3.29	79.54	3.88
	70	40.25	1.75	46.79	2.07	53.38	2.39	62.10	2.92	70.82	3.54	78.78	4.13
	75	40.25	1.81	46.79	2.19	53.38	2.60	62.10	3.21	70.82	3.89	77.24	4.39
	80	40.25	1.98	46.79	2.40	53.38	2.85	62.10	3.52	70.82	4.27	75.68	4.65
	85	40.25	2.15	46.79	2.61	53.38	3.12	62.10	3.86	70.63	4.66	74.13	4.91
	90	40.25	2.33	46.79	2.85	53.38	3.41	62.10	4.22	69.97	5.02	72.57	5.18
	95	40.25	2.54	46.79	3.10	53.38	3.71	62.10	4.60	69.19	5.38	71.01	5.45
	100	40.25	2.75	46.79	3.37	53.38	4.04	62.10	5.03	67.78	5.67	69.46	5.72
	105	40.25	3.02	46.79	3.71	53.38	4.44	62.10	5.53	66.24	5.98	67.63	6.03
	110	40.25	3.35	46.79	4.12	53.38	4.95	62.10	6.18	64.11	6.38	64.11	6.38
115	40.25	3.71	46.79	4.58	53.32	5.92	55.58	6.45	55.73	6.46	55.87	6.48	
118	40.25	3.93	45.77	4.75	46.38	5.46	47.80	5.88	47.93	5.89	48.05	5.90	
80%	25	35.84	1.29	41.66	1.49	47.44	1.70	55.20	2.00	62.96	2.30	70.73	2.62
	30	35.84	1.31	41.66	1.52	47.44	1.73	55.20	2.04	62.96	2.36	70.73	2.68
	35	35.84	1.34	41.66	1.55	47.44	1.77	55.20	2.09	62.96	2.41	70.73	2.75
	40	35.84	1.36	41.66	1.58	47.44	1.81	55.20	2.13	62.96	2.47	70.73	2.81
	45	35.84	1.39	41.66	1.62	47.44	1.85	55.20	2.19	62.96	2.53	70.73	2.89
	50	35.84	1.42	41.66	1.65	47.44	1.90	55.20	2.24	62.96	2.59	70.73	2.97
	55	35.84	1.45	41.66	1.69	47.44	1.94	55.20	2.29	62.96	2.66	70.73	3.04
	60	35.84	1.48	41.66	1.74	47.44	1.99	55.20	2.35	62.96	2.74	70.73	3.12
	65	35.84	1.55	41.66	1.80	47.44	2.07	55.20	2.45	62.96	2.85	70.73	3.29
	70	35.84	1.56	41.66	1.82	47.44	2.10	55.20	2.48	62.96	2.98	70.73	3.52
	75	35.84	1.60	41.66	1.89	47.44	2.22	55.20	2.72	62.96	3.28	70.73	3.88
	80	35.84	1.71	41.66	2.06	47.44	2.43	55.20	2.99	62.96	3.60	70.73	4.27
	85	35.84	1.86	41.66	2.24	47.44	2.66	55.20	3.26	62.96	3.94	70.73	4.67
	90	35.84	2.02	41.66	2.44	47.44	2.89	55.20	3.56	62.96	4.31	70.58	5.10
	95	35.84	2.19	41.66	2.66	47.44	3.16	55.20	3.89	62.96	4.70	69.29	5.40
	100	35.84	2.38	41.66	2.89	47.44	3.43	55.20	4.24	62.96	5.14	67.73	5.66
	105	35.84	2.60	41.66	3.16	47.44	3.76	55.20	4.66	62.93	5.65	66.22	5.99
	110	35.84	2.87	41.66	3.51	47.44	4.19	55.20	5.19	62.29	6.19	64.11	6.38
115	35.84	3.18	41.66	3.89	47.44	4.65	55.20	5.77	55.73	6.46	55.87	6.48	
118	35.84	3.37	41.66	4.12	46.38	4.82	47.80	5.30	47.93	5.89	48.05	5.90	

NOTE - Power Input = Compressor + Outdoor Fan Motor.  
MBH = 1000 BTUs per hour.

# COOLING CAPACITY - SINGLE MODULE - VRA072H4

Combination (%)	Outdoor Temperature °F (Dry Bulb)	Indoor Temperature - °F (Dry Bulb / Wet Bulb)											
		67 / 57		71 / 60		75 / 63		80 / 67		85 / 71		90 / 75	
		Total Cap.	Power Input	Total Cap.	Power Input	Total Cap.	Power Input	Total Cap.	Power Input	Total Cap.	Power Input	Total Cap.	Power Input
		MBH	kW	MBH	kW	MBH	kW	MBH	kW	MBH	kW	MBH	kW
70%	25	31.34	1.14	36.44	1.30	41.53	1.48	48.30	1.73	55.06	1.99	61.91	2.26
	30	31.34	1.16	36.44	1.33	41.53	1.51	48.30	1.76	55.06	2.03	61.91	2.31
	35	31.34	1.18	36.44	1.35	41.53	1.54	48.30	1.81	55.06	2.08	61.91	2.37
	40	31.34	1.20	36.44	1.38	41.53	1.58	48.30	1.85	55.06	2.12	61.91	2.42
	45	31.34	1.23	36.44	1.42	41.53	1.61	48.30	1.89	55.06	2.18	61.91	2.48
	50	31.34	1.25	36.44	1.45	41.53	1.65	48.30	1.93	55.06	2.24	61.91	2.54
	55	31.34	1.28	36.44	1.48	41.53	1.69	48.30	1.98	55.06	2.29	61.91	2.61
	60	31.34	1.31	36.44	1.51	41.53	1.73	48.30	2.03	55.06	2.35	61.91	2.68
	65	31.34	1.34	36.44	1.57	41.53	1.79	48.30	2.12	55.06	2.44	61.91	2.80
	70	31.34	1.37	36.44	1.59	41.53	1.82	48.30	2.13	55.06	2.49	61.91	2.91
	75	31.34	1.40	36.44	1.63	41.53	1.88	48.30	2.28	55.06	2.71	61.91	3.20
	80	31.34	1.47	36.44	1.75	41.53	2.05	48.30	2.49	55.06	2.97	61.91	3.50
	85	31.34	1.60	36.44	1.91	41.53	2.24	48.30	2.72	55.06	3.25	61.91	3.83
	90	31.34	1.73	36.44	2.07	41.53	2.43	48.30	2.97	55.06	3.55	61.91	4.19
	95	31.34	1.87	36.44	2.24	41.53	2.64	48.30	3.22	55.06	3.88	61.91	4.58
	100	31.34	2.02	36.44	2.43	41.53	2.87	48.30	3.51	55.06	4.22	61.91	5.00
	105	31.34	2.21	36.44	2.66	41.53	3.14	48.30	3.85	55.06	4.64	61.91	5.51
	110	31.34	2.44	36.44	2.95	41.53	3.49	48.30	4.28	55.06	5.17	61.91	6.14
115	31.34	2.70	36.44	3.26	41.53	3.87	48.30	4.76	54.58	5.98	55.87	6.48	
118	31.34	2.86	36.44	3.45	41.53	4.10	43.47	4.54	47.93	5.57	48.05	5.90	
60%	25	26.83	1.00	31.22	1.13	35.55	1.27	41.40	1.48	47.25	1.69	53.00	1.91
	30	26.83	1.01	31.22	1.16	35.55	1.30	41.40	1.50	47.25	1.72	53.00	1.94
	35	26.83	1.03	31.22	1.18	35.55	1.33	41.40	1.54	47.25	1.76	53.00	1.99
	40	26.83	1.05	31.22	1.20	35.55	1.36	41.40	1.57	47.25	1.80	53.00	2.04
	45	26.83	1.07	31.22	1.23	35.55	1.38	41.40	1.61	47.25	1.84	53.00	2.09
	50	26.83	1.10	31.22	1.25	35.55	1.41	41.40	1.65	47.25	1.88	53.00	2.13
	55	26.83	1.11	31.22	1.28	35.55	1.44	41.40	1.68	47.25	1.93	53.00	2.19
	60	26.83	1.13	31.22	1.30	35.55	1.48	41.40	1.72	47.25	1.98	53.00	2.25
	65	26.83	1.18	31.22	1.35	35.55	1.53	41.40	1.79	47.25	2.06	53.00	2.35
	70	26.83	1.18	31.22	1.36	35.55	1.55	41.40	1.81	47.25	2.09	53.00	2.37
	75	26.83	1.22	31.22	1.40	35.55	1.59	41.40	1.87	47.25	2.21	53.00	2.58
	80	26.83	1.25	31.22	1.47	35.55	1.70	41.40	2.04	47.25	2.42	53.00	2.82
	85	26.83	1.35	31.22	1.59	35.55	1.85	41.40	2.22	47.25	2.64	53.00	3.09
	90	26.83	1.47	31.22	1.73	35.55	2.01	41.40	2.42	47.25	2.87	53.00	3.37
	95	26.83	1.57	31.22	1.87	35.55	2.18	41.40	2.62	47.25	3.12	53.00	3.67
	100	26.83	1.71	31.22	2.02	35.55	2.36	41.40	2.85	47.25	3.40	53.00	3.99
	105	26.83	1.86	31.22	2.21	35.55	2.58	41.40	3.13	47.25	3.73	53.00	4.39
	110	26.83	2.05	31.22	2.44	35.55	2.86	41.40	3.47	47.25	4.15	53.00	4.89
115	26.83	2.25	31.22	2.69	35.55	3.16	41.40	3.85	47.25	4.61	53.00	5.45	
118	26.83	2.39	31.22	2.85	35.55	3.35	41.40	4.08	43.47	4.50	48.05	5.24	
50%	25	22.33	0.85	25.99	0.96	29.58	1.07	34.50	1.22	39.44	1.39	44.08	1.56
	30	22.33	0.87	25.99	0.99	29.58	1.09	34.50	1.24	39.44	1.41	44.08	1.57
	35	22.33	0.88	25.99	1.00	29.58	1.11	34.50	1.27	39.44	1.45	44.08	1.62
	40	22.33	0.89	25.99	1.02	29.58	1.13	34.50	1.30	39.44	1.48	44.08	1.66
	45	22.33	0.92	25.99	1.03	29.58	1.15	34.50	1.33	39.44	1.51	44.08	1.69
	50	22.33	0.94	25.99	1.05	29.58	1.17	34.50	1.36	39.44	1.53	44.08	1.73
	55	22.33	0.94	25.99	1.07	29.58	1.20	34.50	1.38	39.44	1.58	44.08	1.78
	60	22.33	0.96	25.99	1.09	29.58	1.23	34.50	1.42	39.44	1.61	44.08	1.83
	65	22.33	1.02	25.99	1.13	29.58	1.26	34.50	1.47	39.44	1.68	44.08	1.90
	70	22.33	0.99	25.99	1.13	29.58	1.28	34.50	1.49	39.44	1.69	44.08	1.84
	75	22.33	1.04	25.99	1.16	29.58	1.30	34.50	1.47	39.44	1.71	44.08	1.96
	80	22.33	1.03	25.99	1.19	29.58	1.36	34.50	1.59	39.44	1.86	44.08	2.14
	85	22.33	1.11	25.99	1.28	29.58	1.46	34.50	1.73	39.44	2.02	44.08	2.34
	90	22.33	1.21	25.99	1.39	29.58	1.58	34.50	1.87	39.44	2.19	44.08	2.54
	95	22.33	1.28	25.99	1.50	29.58	1.73	34.50	2.03	39.44	2.37	44.08	2.77
	100	22.33	1.39	25.99	1.62	29.58	1.85	34.50	2.19	39.44	2.58	44.08	2.99
	105	22.33	1.50	25.99	1.76	29.58	2.02	34.50	2.40	39.44	2.82	44.08	3.28
	110	22.33	1.66	25.99	1.93	29.58	2.23	34.50	2.66	39.44	3.13	44.08	3.64
115	22.33	1.81	25.99	2.13	29.58	2.46	34.50	2.95	39.44	3.25	44.08	4.42	
118	22.33	1.92	25.99	2.25	29.58	2.61	34.50	3.12	39.44	3.44	44.08	4.69	

NOTE - Power Input = Compressor + Outdoor Fan Motor.  
 MBH = 1000 BTUs per hour.

# HEATING CAPACITY - SINGLE MODULE - VRA072H4

Combination (%)	Outdoor Temperature (°F)		Indoor Temperature - °F Dry Bulb											
			61		64		67		70		73		75	
	Dry Bulb	Wet Bulb	Total Cap. MBH	Power Input kW	Total Cap. MBH	Power Input kW	Total Cap. MBH	Power Input kW	Total Cap. MBH	Power Input kW	Total Cap. MBH	Power Input kW	Total Cap. MBH	Power Input kW
130%	-13	-13	34.72	6.02	34.65	6.08	34.56	6.12	34.48	6.18	34.39	6.22	34.33	6.25
	-8	-9	40.51	6.61	40.42	6.67	40.32	6.71	40.22	6.76	40.13	6.80	40.05	6.83
	-3	-4	47.39	7.26	47.29	7.30	47.16	7.35	47.05	7.39	46.94	7.43	46.85	7.45
	2	1	53.20	7.66	53.09	7.70	52.95	7.74	52.83	7.78	52.70	7.81	52.61	7.83
	7	6	59.90	8.26	59.78	8.29	59.63	8.32	59.49	8.35	59.37	8.37	59.28	8.39
	12	10	64.81	8.51	64.68	8.53	64.52	8.55	64.38	8.56	64.25	8.58	64.15	8.59
	17	15	70.65	8.86	70.51	8.86	70.34	8.86	70.19	8.87	70.04	8.87	69.92	8.87
	22	20	74.65	8.49	74.51	8.49	74.34	8.49	74.19	8.50	74.03	8.50	73.91	8.50
	27	24	78.67	8.05	78.53	8.05	78.36	8.05	78.20	8.05	78.05	8.06	77.93	8.06
	32	29	83.09	7.35	82.92	7.35	82.77	7.35	82.62	7.35	82.47	7.36	82.34	7.36
	37	34	86.19	6.63	85.98	6.63	85.85	6.63	85.73	6.63	85.54	6.63	85.45	6.64
	42	38	92.74	6.20	91.60	6.20	90.55	6.20	90.09	6.20	89.37	6.20	88.20	6.20
	47	43	96.88	5.76	95.65	5.76	93.43	5.76	92.13	5.76	90.79	5.76	88.40	5.76
	52	47	100.61	5.62	98.41	5.62	96.21	5.62	94.01	5.62	91.81	5.62	88.46	5.62
	57	52	103.16	5.44	101.00	5.44	98.84	5.44	95.72	5.44	93.12	5.44	88.46	5.44
	62	56	105.66	5.30	103.52	5.30	101.38	5.30	97.29	5.30	93.12	5.30	88.46	5.05
	67	61	107.83	5.12	105.73	5.12	103.13	5.12	98.58	5.12	93.12	4.82	88.46	4.54
72	66	109.89	4.94	107.84	4.94	104.73	4.94	100.10	4.74	93.12	4.35	88.46	4.10	
75	69	111.28	4.84	109.24	4.84	107.20	4.84	101.01	4.51	93.12	4.07	88.46	3.84	
120%	-13	-13	34.57	6.11	34.50	6.16	34.44	6.20	34.38	6.25	34.27	6.28	34.23	6.31
	-8	-9	40.34	6.70	40.25	6.74	40.18	6.78	40.11	6.82	39.98	6.86	39.93	6.88
	-3	-4	47.19	7.33	47.09	7.37	47.01	7.41	46.92	7.44	46.78	7.47	46.71	7.50
	2	1	52.98	7.73	52.87	7.76	52.78	7.79	52.68	7.82	52.56	7.84	52.46	7.86
	7	6	59.69	8.31	59.56	8.34	59.45	8.36	59.33	8.37	59.19	8.40	59.08	8.41
	12	10	64.58	8.54	64.45	8.56	64.33	8.57	64.21	8.57	64.07	8.59	63.95	8.60
	17	15	70.47	8.86	70.26	8.87	70.13	8.87	70.01	8.87	69.86	8.87	69.74	8.87
	22	20	74.37	8.49	74.23	8.50	74.12	8.50	74.00	8.50	73.85	8.50	73.72	8.50
	27	24	78.39	8.05	78.25	8.05	78.14	8.05	78.02	8.06	77.82	8.06	77.74	8.06
	32	29	82.81	7.35	82.67	7.35	82.54	7.35	82.40	7.36	80.39	7.36	79.04	7.36
	37	34	87.63	6.63	85.77	6.63	85.60	6.63	85.45	6.64	83.81	6.64	80.77	6.64
	42	38	91.38	6.20	89.47	6.20	88.41	6.20	87.55	6.20	85.42	6.20	81.66	6.20
	47	43	95.94	5.76	92.94	5.76	90.89	5.76	88.84	5.76	85.95	5.76	81.66	5.76
	52	47	98.71	5.62	96.66	5.62	93.68	5.62	90.74	5.62	85.95	5.62	81.66	5.62
	57	52	101.29	5.44	99.28	5.44	95.39	5.44	91.59	5.44	85.95	5.33	81.66	5.01
	62	56	103.94	5.30	100.98	5.30	97.11	5.30	92.40	5.30	85.95	4.88	81.66	4.60
	67	61	106.05	5.12	103.09	5.12	98.21	5.12	92.40	4.78	85.95	4.39	81.66	4.14
72	66	107.15	4.94	105.25	4.94	98.85	4.67	92.40	4.31	85.95	3.97	81.66	3.74	
75	69	108.56	4.84	106.68	4.84	99.23	4.39	92.40	4.03	85.95	3.71	81.66	3.51	
110%	-13	-13	34.44	6.20	34.39	6.23	34.31	6.26	34.23	6.31	34.16	6.33	34.13	6.35
	-8	-9	40.18	6.78	40.13	6.81	40.03	6.84	39.93	6.88	39.86	6.91	39.82	6.92
	-3	-4	47.01	7.40	46.94	7.43	46.83	7.46	46.71	7.49	46.62	7.52	46.58	7.54
	2	1	52.83	7.78	52.72	7.81	52.58	7.83	52.46	7.86	52.38	7.89	52.31	7.91
	7	6	60.09	8.36	59.37	8.38	59.24	8.39	59.11	8.41	59.03	8.43	58.92	8.45
	12	10	65.67	8.57	64.25	8.58	64.11	8.59	63.98	8.60	63.85	8.61	63.78	8.62
	17	15	72.97	8.87	71.35	8.87	70.45	8.87	69.83	8.87	69.68	8.87	68.86	8.87
	22	20	78.70	8.50	77.01	8.50	74.53	8.50	73.72	8.50	73.60	8.50	72.07	8.50
	27	24	82.89	8.05	81.19	8.06	78.63	8.06	77.74	8.06	75.94	8.06	73.53	8.06
	32	29	86.72	7.35	84.92	7.36	81.48	7.36	80.21	7.36	77.23	7.36	74.23	7.36
	37	34	89.08	6.63	88.08	6.63	84.85	6.64	82.58	6.64	78.00	6.64	74.85	6.64
	42	38	92.53	6.20	90.07	6.20	86.69	6.20	83.34	6.20	78.79	6.20	74.85	6.20
	47	43	94.05	5.76	91.70	5.76	87.56	5.76	84.02	5.76	78.79	5.76	74.85	5.57
	52	47	96.79	5.62	92.99	5.62	88.54	5.62	84.21	5.62	78.79	5.38	74.85	5.07
	57	52	99.19	5.44	94.63	5.44	89.28	5.44	84.70	5.24	78.79	4.81	74.85	4.53
	62	56	100.85	5.30	95.28	5.30	90.61	5.19	84.70	4.80	78.79	4.41	74.85	4.16
	67	61	102.23	5.12	96.52	5.03	90.61	4.67	84.70	4.32	78.79	3.98	74.85	3.75
72	66	103.45	4.87	96.52	4.54	90.61	4.22	84.70	3.90	78.79	3.60	74.85	3.40	
75	69	104.33	4.72	96.52	4.24	90.61	3.94	84.70	3.65	78.79	3.37	74.85	3.19	

NOTE - Power Input = Compressor + Outdoor Fan Motor.  
MBH = 1000 BTUs per hour.



# HEATING CAPACITY - SINGLE MODULE - VRA072H4

Combination (%)	Outdoor Temperature (°F)		Indoor Temperature - °F Dry Bulb											
			61		64		67		70		73		75	
	Dry Bulb	Wet Bulb	Total Cap. MBH	Power Input kW	Total Cap. MBH	Power Input kW	Total Cap. MBH	Power Input kW	Total Cap. MBH	Power Input kW	Total Cap. MBH	Power Input kW	Total Cap. MBH	Power Input kW
100%	-13	-13	34.33	6.27	34.25	6.30	34.19	6.32	34.13	6.36	34.06	6.53	34.03	6.99
	-8	-9	40.05	6.84	39.96	6.87	39.89	6.89	39.82	6.93	39.74	7.11	39.70	7.54
	-3	-4	46.85	7.46	46.75	7.49	46.67	7.51	46.58	7.54	46.49	7.74	46.44	8.12
	2	1	52.61	7.83	52.49	7.85	52.41	7.87	52.31	7.89	52.21	8.10	52.16	8.59
	7	6	59.25	8.39	59.12	8.41	57.85	8.42	58.92	8.44	58.81	8.65	58.76	8.97
	12	10	65.41	8.59	64.63	8.60	62.62	8.60	63.78	8.62	63.44	8.77	62.93	8.95
	17	15	73.42	8.87	71.08	8.87	70.24	8.87	69.56	8.87	68.50	8.88	67.24	8.88
	22	20	78.40	8.50	75.95	8.50	75.08	8.50	73.54	8.50	70.50	8.50	67.73	8.51
	27	24	81.87	8.06	79.32	8.06	78.07	8.06	75.12	8.06	70.95	8.06	68.05	8.06
	32	29	85.70	7.36	81.78	7.36	79.61	7.36	75.84	7.36	71.63	7.36	68.05	7.36
	37	34	87.49	6.63	83.19	6.64	81.17	6.64	76.14	6.64	71.63	6.64	68.05	6.64
	42	38	88.84	6.20	84.63	6.20	81.32	6.20	76.27	6.20	71.63	6.21	68.05	5.88
	47	43	90.33	5.76	86.03	5.76	81.73	5.76	77.00	5.76	71.63	5.29	68.05	4.98
	52	47	91.12	5.62	86.78	5.62	81.88	5.62	77.00	5.24	71.63	4.82	68.05	4.54
	57	52	91.80	5.44	87.56	5.44	82.37	5.07	77.00	4.68	71.63	4.31	68.05	4.07
	62	56	92.42	5.30	87.74	5.00	82.37	4.64	77.00	4.30	71.63	3.96	68.05	3.74
	67	61	93.12	4.82	87.74	4.50	82.37	4.18	77.00	3.87	71.63	3.57	68.05	3.38
	72	66	93.12	4.35	87.74	4.06	82.37	3.78	77.00	3.51	71.63	3.24	68.05	3.06
	75	69	93.12	4.07	87.74	3.80	82.37	3.54	77.00	3.29	71.63	3.04	68.05	2.88
	90%	-13	-13	33.59	7.75	33.53	7.76	33.47	7.76	33.45	7.76	33.00	7.77	32.21
-8		-9	39.19	8.18	39.12	8.18	39.05	8.19	39.02	8.19	38.50	8.20	37.58	8.20
-3		-4	45.85	8.63	45.76	8.63	45.68	8.63	45.65	8.64	45.04	8.64	43.96	8.64
2		1	51.48	8.76	51.43	8.76	51.34	8.76	51.26	8.76	50.48	8.77	48.82	8.77
7		6	58.57	9.05	58.51	9.05	57.27	9.06	58.33	9.06	57.02	9.06	54.81	9.06
12		10	65.74	8.95	64.39	8.95	63.63	8.95	63.14	8.95	62.06	8.95	59.66	8.96
17		15	74.00	8.87	71.69	8.87	70.18	8.87	67.49	8.88	64.47	8.88	61.24	8.88
22		20	78.80	8.50	75.43	8.50	72.84	8.50	69.13	8.51	64.47	8.51	61.24	8.51
27		24	80.87	8.06	77.30	8.06	73.82	8.06	69.30	8.06	64.47	8.06	61.24	8.06
32		29	82.42	7.36	78.49	7.36	73.85	7.36	69.30	7.36	64.47	7.36	61.24	7.36
37		34	83.24	6.64	78.50	6.64	74.13	6.64	69.30	6.64	64.47	6.39	61.24	6.02
42		38	83.23	6.20	78.49	6.20	74.13	6.20	69.30	6.01	64.47	5.52	61.24	5.20
47		43	83.55	5.76	78.79	5.76	74.13	5.51	69.30	5.09	64.47	4.68	61.24	4.42
52		47	83.75	5.62	78.97	5.40	74.13	5.01	69.30	4.64	64.47	4.27	61.24	4.03
57		52	83.80	5.17	78.97	4.82	74.13	4.48	69.30	4.15	64.47	3.83	61.24	3.62
62		56	83.80	4.74	78.97	4.42	74.13	4.12	69.30	3.82	64.47	3.52	61.24	3.33
67		61	83.80	4.27	78.97	3.99	74.13	3.71	69.30	3.45	64.47	3.19	61.24	3.02
72		66	83.80	3.86	78.97	3.61	74.13	3.36	69.30	3.13	64.47	2.89	61.24	2.74
75		69	83.80	3.61	78.97	3.38	74.13	3.15	69.30	2.93	64.47	2.72	61.24	2.58
80%		-13	-13	32.92	7.76	32.86	7.76	32.80	7.77	32.78	7.77	32.34	7.77	31.57
	-8	-9	39.02	8.19	38.52	8.19	38.02	8.19	37.55	8.20	36.72	8.20	35.87	8.20
	-3	-4	45.78	8.63	44.78	8.64	43.77	8.64	42.79	8.64	41.49	8.64	40.56	8.65
	2	1	53.48	8.76	51.88	8.76	50.28	8.77	48.71	8.77	46.88	8.77	45.86	8.77
	7	6	62.73	9.06	60.43	9.06	58.14	9.06	55.86	9.06	53.39	9.06	51.22	9.06
	12	10	69.17	8.95	66.23	8.95	63.30	8.95	60.37	8.96	56.16	8.96	53.35	8.96
	17	15	71.87	8.87	68.44	8.88	65.02	8.88	61.60	8.88	57.30	8.88	54.44	8.88
	22	20	71.87	8.50	68.44	8.50	65.02	8.51	61.60	8.51	57.30	8.51	54.44	8.51
	27	24	71.87	8.06	68.44	8.06	65.02	8.06	61.60	8.06	57.30	8.06	54.44	7.98
	32	29	71.87	7.36	68.44	7.36	65.02	7.36	61.60	7.36	57.30	6.87	54.44	6.47
	37	34	71.87	6.64	68.44	6.64	65.02	6.56	61.60	6.06	57.30	5.57	54.44	5.25
	42	38	71.87	6.20	68.44	6.10	65.02	5.66	61.60	5.23	57.30	4.82	54.44	4.55
	47	43	71.87	5.54	68.44	5.16	65.02	4.80	61.60	4.44	57.30	4.10	54.44	3.87
	52	47	71.87	5.04	68.44	4.71	65.02	4.38	61.60	4.06	57.30	3.75	54.44	3.55
	57	52	71.87	4.51	68.44	4.21	65.02	3.92	61.60	3.64	57.30	3.37	54.44	3.19
	62	56	71.87	4.14	68.44	3.87	65.02	3.61	61.60	3.35	57.30	3.11	54.44	2.94
	67	61	71.87	3.73	68.44	3.50	65.02	3.26	61.60	3.04	57.30	2.81	54.44	2.67
	72	66	71.87	3.38	68.44	3.17	65.02	2.96	61.60	2.76	57.30	2.56	54.44	2.43
	75	69	71.87	3.17	68.44	2.97	65.02	2.78	61.60	2.59	57.30	2.41	54.44	2.29

NOTE - Power Input = Compressor + Outdoor Fan Motor.  
 MBH = 1000 BTUs per hour.

# HEATING CAPACITY - SINGLE MODULE - VRA072H4

Combination (%)	Outdoor Temperature (°F)		Indoor Temperature - °F Dry Bulb											
			61		64		67		70		73		75	
	Dry Bulb	Wet Bulb	Total Cap. MBH	Power Input kW	Total Cap. MBH	Power Input kW	Total Cap. MBH	Power Input kW	Total Cap. MBH	Power Input kW	Total Cap. MBH	Power Input kW	Total Cap. MBH	Power Input kW
70%	-13	-13	32.26	7.77	32.20	7.77	32.14	7.77	32.12	7.78	31.69	7.78	30.93	7.78
	-8	-9	38.32	8.19	37.83	8.20	37.34	8.20	36.88	8.20	36.06	8.21	35.08	8.21
	-3	-4	45.06	8.64	44.06	8.64	43.07	8.64	42.11	8.65	40.83	8.65	39.61	8.65
	2	1	52.71	8.77	51.13	8.77	49.57	8.77	48.02	8.77	46.22	8.77	44.72	8.78
	7	6	61.91	9.06	59.64	9.06	57.39	9.06	55.15	9.06	52.72	9.07	50.90	9.07
	12	10	68.35	8.95	65.45	8.96	62.57	8.96	59.69	8.96	56.71	8.96	54.63	8.96
	17	15	71.09	8.88	67.71	8.88	64.35	8.88	60.98	8.88	57.61	8.88	55.39	8.88
	22	20	71.09	8.51	67.71	8.51	64.35	8.51	60.98	8.51	57.73	8.48	54.84	7.98
	27	24	71.38	8.06	67.98	8.06	64.61	8.06	61.23	7.88	56.96	7.24	54.11	6.82
	32	29	63.46	7.36	60.43	7.36	57.44	6.92	54.43	6.40	50.64	5.89	48.10	5.55
	37	34	62.84	6.48	59.84	6.04	56.88	5.61	53.90	5.19	50.14	4.79	47.63	4.52
	42	38	62.84	5.59	59.84	5.22	56.88	4.85	53.90	4.50	50.14	4.15	47.63	3.93
	47	43	62.84	4.74	59.84	4.43	56.88	4.13	53.90	3.83	50.14	3.54	47.63	3.36
	52	47	62.84	4.32	59.84	4.05	56.88	3.77	53.90	3.51	50.14	3.25	47.63	3.08
	57	52	62.84	3.88	59.84	3.63	56.88	3.39	53.90	3.16	50.14	2.93	47.63	2.78
	62	56	62.84	3.57	59.84	3.34	56.88	3.13	53.90	2.91	50.14	2.70	47.63	2.57
	67	61	62.84	3.23	59.84	3.03	56.88	2.83	53.90	2.64	50.14	2.46	47.63	2.33
72	66	62.84	2.93	59.84	2.75	56.88	2.58	53.90	2.41	50.14	2.24	47.63	2.13	
75	69	62.84	2.75	59.84	2.58	56.88	2.42	53.90	2.26	50.14	2.11	47.63	2.01	
60%	-13	-13	31.62	7.77	31.56	7.78	31.50	7.78	31.48	7.78	31.06	7.78	30.32	7.79
	-8	-9	36.45	8.20	36.02	8.20	35.59	8.21	35.19	8.21	34.50	8.21	33.50	8.21
	-3	-4	41.77	8.65	40.91	8.65	40.05	8.65	39.21	8.65	38.21	8.65	36.92	8.65
	2	1	46.84	8.77	45.50	8.77	44.17	8.77	42.85	8.78	41.51	8.78	39.94	8.78
	7	6	50.66	9.06	48.86	9.06	47.06	9.07	45.28	9.07	42.98	9.07	40.83	9.07
	12	10	52.83	8.96	50.62	8.96	48.40	8.96	46.20	8.96	42.98	8.96	40.83	8.96
	17	15	53.90	8.88	51.33	8.88	48.77	8.88	46.20	8.88	42.98	8.53	40.83	8.03
	22	20	54.63	8.51	52.02	8.51	49.42	8.34	46.20	7.70	42.98	7.08	40.83	6.68
	27	24	55.17	8.06	52.02	7.67	49.42	7.12	46.20	6.59	42.98	6.07	40.83	5.73
	32	29	55.87	6.67	52.02	6.22	49.42	5.79	46.20	5.37	42.98	4.96	40.83	4.69
	37	34	55.87	5.41	52.02	5.06	49.42	4.71	46.20	4.38	42.98	4.05	40.83	3.83
	42	38	55.87	4.68	52.54	4.38	49.42	4.09	46.20	3.80	42.98	3.52	40.83	3.34
	47	43	55.87	3.99	52.65	3.74	49.42	3.49	46.20	3.25	42.98	3.02	40.83	2.86
	52	47	55.87	3.65	52.65	3.42	49.42	3.20	46.20	2.98	42.98	2.77	40.83	2.63
	57	52	55.87	3.28	52.65	3.08	49.42	2.88	46.20	2.69	42.98	2.51	40.83	2.38
	62	56	55.87	3.02	52.65	2.84	49.42	2.66	46.20	2.49	42.98	2.32	40.83	2.21
	67	61	55.87	2.74	52.65	2.58	49.42	2.42	46.20	2.27	42.98	2.11	40.83	2.01
72	66	55.87	2.50	52.65	2.35	49.42	2.21	46.20	2.07	42.98	1.93	40.83	1.84	
75	69	55.87	2.35	52.65	2.21	49.42	2.08	46.20	1.95	42.98	1.82	40.83	1.74	
50%	-13	-13	30.98	7.78	30.93	7.78	30.87	7.79	30.85	7.79	30.08	7.79	28.58	7.79
	-8	-9	34.75	8.21	34.52	8.21	34.06	8.21	33.63	8.21	32.54	8.22	30.91	8.22
	-3	-4	38.44	8.65	38.01	8.65	37.10	8.65	36.21	8.66	34.75	8.66	33.02	8.66
	2	1	41.11	8.95	40.47	8.95	39.09	8.95	37.73	8.96	35.81	8.96	34.02	8.96
	7	6	43.01	9.07	42.17	9.07	40.33	9.07	38.50	9.07	35.81	9.07	34.02	9.07
	12	10	44.05	8.96	43.03	8.96	40.76	8.96	38.50	8.92	35.81	8.19	34.02	7.71
	17	15	45.08	8.79	43.43	8.57	41.19	8.11	38.50	7.50	35.81	6.91	34.02	6.52
	22	20	46.09	7.77	43.87	7.25	41.19	6.74	38.50	6.25	35.81	5.77	34.02	5.46
	27	24	46.56	6.65	43.87	6.21	41.19	5.79	38.50	5.37	35.81	4.97	34.02	4.71
	32	29	46.56	5.41	43.87	5.07	41.19	4.73	38.50	4.40	35.81	4.08	34.02	3.87
	37	34	46.56	4.41	43.87	4.14	41.19	3.87	38.50	3.61	35.81	3.35	34.02	3.18
	42	38	46.56	3.83	43.87	3.60	41.19	3.37	38.50	3.15	35.81	2.92	34.02	2.78
	47	43	46.56	3.28	43.87	3.08	41.19	2.89	38.50	2.70	35.81	2.51	34.02	2.39
	52	47	46.56	3.01	43.87	2.83	41.19	2.66	38.50	2.48	35.81	2.32	34.02	2.21
	57	52	46.56	2.71	43.87	2.56	41.19	2.40	38.50	2.25	35.81	2.10	34.02	2.00
	62	56	46.56	2.51	43.87	2.37	41.19	2.23	38.50	2.09	35.81	1.95	34.02	1.86
	67	61	46.56	2.28	43.87	2.16	41.19	2.03	38.50	1.91	35.81	1.78	34.02	1.70
72	66	46.56	2.08	43.87	1.97	41.19	1.86	38.50	1.74	35.81	1.64	34.02	1.56	
75	69	46.56	1.96	43.87	1.86	41.19	1.75	38.50	1.65	35.81	1.55	34.02	1.48	

NOTE - Power Input = Compressor + Outdoor Fan Motor.  
MBH = 1000 BTUs per hour.

## COOLING CAPACITY - SINGLE MODULE - VRA096H4

Combination (%)	Outdoor Temperature °F (Dry Bulb)	Indoor Temperature - °F (Dry Bulb / Wet Bulb)											
		67 / 57		71 / 60		75 / 63		80 / 67		85 / 71		90 / 75	
		Total Cap.	Power Input	Total Cap.	Power Input	Total Cap.	Power Input	Total Cap.	Power Input	Total Cap.	Power Input	Total Cap.	Power Input
		MBH	kW	MBH	kW	MBH	kW	MBH	kW	MBH	kW	MBH	kW
130%	25	77.63	2.90	90.20	3.44	103.02	3.99	119.79	4.75	129.51	5.03	132.39	4.82
	30	77.63	2.96	90.20	3.52	103.02	4.08	119.79	4.87	127.46	5.00	130.33	4.79
	35	77.63	3.03	90.20	3.60	103.02	4.18	119.79	4.99	125.30	4.96	128.42	4.75
	40	77.63	3.11	90.20	3.69	103.02	4.28	119.79	5.10	123.15	4.92	126.50	4.71
	45	77.63	3.19	90.20	3.78	103.02	4.40	117.88	5.09	120.99	4.88	124.10	4.66
	50	77.63	3.27	90.20	3.88	103.02	4.51	115.96	5.07	118.83	4.84	121.71	4.62
	55	77.63	3.34	90.20	3.98	103.02	4.63	113.56	5.03	117.04	4.84	120.27	4.74
	60	77.63	3.43	90.20	4.09	103.02	4.75	111.65	5.08	115.00	5.06	117.88	5.11
	65	77.63	3.58	90.20	4.29	103.02	5.10	109.01	5.47	111.17	5.64	114.76	5.70
	70	77.63	3.67	90.20	4.55	101.74	5.40	107.33	5.73	110.69	5.79	114.04	5.85
	75	77.63	4.02	90.20	5.01	100.47	5.81	105.42	6.09	108.77	6.15	112.13	6.22
	80	77.63	4.42	90.20	5.50	98.87	6.22	103.26	6.45	106.49	6.53	109.73	6.60
	85	77.63	4.83	90.20	6.04	97.27	6.65	101.58	6.82	104.46	6.90	107.33	6.98
	90	77.63	5.28	90.04	6.59	96.08	7.09	99.19	7.19	102.42	7.27	104.94	7.35
	95	77.63	5.76	88.77	7.00	94.01	7.47	96.79	7.56	100.15	7.65	100.63	7.66
	100	77.63	6.28	87.17	7.41	91.94	7.83	94.80	7.93	95.74	7.95	95.76	7.95
	105	77.63	6.91	85.63	7.90	89.55	8.27	90.53	8.30	90.53	8.30	90.63	8.31
	110	77.63	7.71	83.45	8.51	85.39	8.77	85.39	8.77	85.48	8.78	85.48	8.78
115	73.60	8.84	73.74	8.85	73.92	8.86	74.08	8.87	74.32	8.89	74.46	8.90	
118	63.30	8.06	63.42	8.07	63.57	8.08	63.71	8.09	63.91	8.10	64.04	8.12	
120%	25	71.68	2.66	83.26	3.14	94.84	3.64	110.21	4.34	125.13	4.99	130.47	4.97
	30	71.68	2.72	83.26	3.21	94.84	3.73	110.21	4.44	124.10	5.03	128.42	4.94
	35	71.68	2.78	83.26	3.29	94.84	3.82	110.21	4.55	122.67	5.05	126.50	4.90
	40	71.68	2.84	83.26	3.36	94.84	3.91	110.21	4.66	121.23	5.06	124.58	4.86
	45	71.68	2.91	83.26	3.45	94.84	4.01	110.21	4.78	119.07	5.03	122.19	4.82
	50	71.68	2.98	83.26	3.54	94.84	4.11	110.21	4.90	116.92	4.99	119.79	4.78
	55	71.68	3.06	83.26	3.63	94.84	4.22	110.21	5.03	115.00	4.95	117.64	4.79
	60	71.68	3.14	83.26	3.73	94.84	4.33	109.73	5.11	112.84	5.05	115.96	5.08
	65	71.68	3.27	83.26	3.89	94.84	4.58	107.09	5.35	109.61	5.57	112.13	5.66
	70	71.68	3.32	83.26	4.07	94.84	4.90	105.42	5.70	108.77	5.75	111.17	5.81
	75	71.68	3.61	83.26	4.46	94.84	5.39	103.50	6.05	106.85	6.11	109.25	6.18
	80	71.68	3.95	83.26	4.90	94.84	5.92	102.06	6.41	104.58	6.48	107.81	6.55
	85	71.68	4.31	83.26	5.36	94.20	6.39	99.67	6.78	102.54	6.85	105.42	6.93
	90	71.68	4.72	83.26	5.87	92.65	6.81	97.27	7.15	100.51	7.22	103.02	7.30
	95	71.68	5.14	83.26	6.40	91.20	7.24	95.45	7.51	98.23	7.60	100.63	7.66
	100	71.68	5.60	83.26	7.00	89.84	7.70	93.39	7.88	95.38	7.94	95.76	7.95
	105	71.68	6.15	82.97	7.65	88.35	8.22	90.37	8.30	90.53	8.30	90.63	8.31
	110	71.68	6.86	81.53	8.28	85.20	8.76	85.39	8.77	85.48	8.78	85.48	8.78
115	71.68	7.63	73.26	8.55	73.92	8.86	74.08	8.87	74.32	8.89	74.46	8.90	
118	63.30	7.14	63.42	7.84	63.57	8.08	63.71	8.09	63.91	8.10	64.04	8.12	
110%	25	65.65	2.42	76.36	2.86	87.02	3.30	101.58	3.92	115.48	4.56	128.55	5.11
	30	65.65	2.48	76.36	2.92	87.02	3.37	101.58	4.01	115.48	4.67	126.50	5.08
	35	65.65	2.54	76.36	2.99	87.02	3.45	101.58	4.11	115.48	4.79	124.10	5.05
	40	65.65	2.59	76.36	3.05	87.02	3.54	101.58	4.20	115.48	4.90	121.71	5.01
	45	65.65	2.65	76.36	3.13	87.02	3.63	101.58	4.31	114.76	4.96	119.79	4.98
	50	65.65	2.71	76.36	3.20	87.02	3.72	101.58	4.43	114.04	5.03	117.88	4.94
	55	65.65	2.78	76.36	3.29	87.02	3.81	101.58	4.54	112.72	5.06	115.48	4.90
	60	65.65	2.85	76.36	3.38	87.02	3.92	101.58	4.67	110.93	5.10	113.56	5.04
	65	65.65	2.97	76.36	3.52	87.02	4.09	101.58	4.98	107.69	5.40	110.93	5.62
	70	65.65	3.00	76.36	3.62	87.02	4.32	101.58	5.38	106.85	5.71	109.25	5.77
	75	65.65	3.21	76.36	3.95	87.02	4.75	101.58	5.93	104.94	6.07	107.33	6.13
	80	65.65	3.51	76.36	4.33	87.02	5.21	100.15	6.37	102.54	6.44	105.18	6.50
	85	65.65	3.84	76.36	4.74	87.02	5.71	97.75	6.73	100.39	6.80	103.50	6.87
	90	65.65	4.18	76.36	5.17	87.02	6.25	95.71	7.09	98.59	7.17	101.10	7.24
	95	65.65	4.55	76.36	5.64	87.02	6.82	93.73	7.46	96.26	7.54	98.71	7.61
	100	65.65	4.96	76.36	6.16	86.41	7.36	91.66	7.83	94.13	7.90	95.76	7.95
	105	65.65	5.44	76.36	6.77	84.99	7.88	89.54	8.27	90.50	8.30	90.63	8.31
	110	65.65	6.06	76.36	7.55	83.57	8.53	85.39	8.77	85.48	8.78	85.48	8.78
115	65.65	6.73	71.76	8.32	73.92	8.86	74.08	8.87	74.32	8.89	74.46	8.90	
118	63.30	6.88	63.42	7.80	63.57	8.08	63.71	8.09	63.91	8.10	64.04	8.12	

NOTE - Power Input = Compressor + Outdoor Fan Motor.  
MBH = 1000 BTUs per hour.

# COOLING CAPACITY - SINGLE MODULE - VRA096H4

Combination (%)	Outdoor Temperature °F (Dry Bulb)	Indoor Temperature - °F (Dry Bulb / Wet Bulb)											
		67 / 57		71 / 60		75 / 63		80 / 67		85 / 71		90 / 75	
		Total Cap.	Power Input	Total Cap.	Power Input	Total Cap.	Power Input	Total Cap.	Power Input	Total Cap.	Power Input	Total Cap.	Power Input
		MBH	kW	MBH	kW	MBH	kW	MBH	kW	MBH	kW	MBH	kW
100%	25	59.70	2.19	69.41	2.57	79.09	2.97	92.00	3.51	104.94	4.09	117.88	4.67
	30	59.70	2.24	69.41	2.63	79.09	3.03	92.00	3.59	104.94	4.18	117.88	4.78
	35	59.70	2.29	69.41	2.69	79.09	3.10	92.00	3.68	104.94	4.29	117.88	4.90
	40	59.70	2.34	69.41	2.75	79.09	3.17	92.00	3.77	104.94	4.39	117.88	5.02
	45	59.70	2.39	69.41	2.82	79.09	3.25	92.00	3.87	104.94	4.50	116.92	5.06
	50	59.70	2.45	69.41	2.89	79.09	3.34	92.00	3.96	104.94	4.61	115.96	5.09
	55	59.70	2.51	69.41	2.96	79.09	3.42	92.00	4.07	104.94	4.74	113.56	5.06
	60	59.70	2.57	69.41	3.04	79.09	3.51	92.00	4.18	104.94	4.86	111.17	5.09
	65	59.70	2.68	69.41	3.16	79.09	3.66	92.00	4.36	104.58	5.21	108.05	5.44
	70	59.70	2.70	69.41	3.20	79.09	3.78	92.00	4.67	103.50	5.55	107.33	5.72
	75	59.70	2.83	69.41	3.46	79.09	4.14	92.00	5.14	102.54	6.00	105.42	6.08
	80	59.70	3.10	69.41	3.79	79.09	4.54	92.00	5.65	100.63	6.39	103.02	6.44
	85	59.70	3.38	69.41	4.15	79.09	4.97	92.00	6.20	98.47	6.75	101.10	6.81
	90	59.70	3.68	69.41	4.52	79.09	5.43	92.00	6.78	96.53	7.12	99.19	7.18
	95	59.70	4.00	69.41	4.92	79.09	5.92	92.00	7.41	94.44	7.48	96.79	7.55
	100	59.70	4.35	69.41	5.37	79.09	6.47	89.94	7.78	92.35	7.85	94.54	7.92
	105	59.70	4.77	69.41	5.90	79.09	7.12	87.82	8.22	89.94	8.29	90.63	8.31
	110	59.70	5.30	69.41	6.57	79.09	7.94	85.39	8.77	85.48	8.78	85.48	8.78
115	59.70	5.89	69.41	7.31	73.54	8.50	74.08	8.87	74.32	8.89	74.46	8.90	
118	59.70	6.24	61.08	6.82	63.57	7.79	63.71	8.09	63.91	8.10	64.04	8.12	
90%	25	53.76	1.97	62.46	2.30	71.17	2.64	82.80	3.12	94.64	3.62	106.38	4.13
	30	53.76	2.02	62.46	2.35	71.17	2.70	82.80	3.19	94.64	3.70	106.38	4.23
	35	53.76	2.06	62.46	2.40	71.17	2.76	82.80	3.27	94.64	3.79	106.38	4.34
	40	53.76	2.10	62.46	2.45	71.17	2.83	82.80	3.35	94.64	3.89	106.38	4.45
	45	53.76	2.15	62.46	2.51	71.17	2.90	82.80	3.43	94.64	3.99	106.38	4.56
	50	53.76	2.20	62.46	2.58	71.17	2.96	82.80	3.51	94.64	4.09	106.38	4.67
	55	53.76	2.25	62.46	2.64	71.17	3.04	82.80	3.61	94.64	4.19	106.38	4.79
	60	53.76	2.30	62.46	2.70	71.17	3.12	82.80	3.70	94.64	4.30	106.38	4.92
	65	53.76	2.39	62.46	2.81	71.17	3.25	82.80	3.86	94.64	4.52	106.38	5.33
	70	53.76	2.42	62.46	2.84	71.17	3.29	82.80	4.01	94.64	4.86	105.42	5.68
	75	53.76	2.48	62.46	3.01	71.17	3.58	82.80	4.42	94.64	5.35	102.54	6.04
	80	53.76	2.71	62.46	3.30	71.17	3.92	82.80	4.84	94.64	5.88	101.10	6.39
	85	53.76	2.95	62.46	3.60	71.17	4.29	82.80	5.30	94.40	6.41	98.71	6.76
	90	53.76	3.21	62.46	3.92	71.17	4.68	82.80	5.80	93.37	6.90	96.31	7.13
	95	53.76	3.49	62.46	4.27	71.17	5.10	82.80	6.33	92.24	7.39	94.59	7.49
	100	53.76	3.79	62.46	4.64	71.17	5.56	82.80	6.92	90.38	7.79	92.55	7.86
	105	53.76	4.15	62.46	5.09	71.17	6.10	82.80	7.61	88.29	8.23	90.18	8.29
	110	53.76	4.61	62.46	5.67	71.17	6.81	82.80	8.50	85.48	8.78	85.48	8.78
115	53.76	5.10	62.46	6.29	71.11	8.14	74.08	8.87	74.32	8.89	74.46	8.90	
118	53.76	5.41	61.08	6.52	61.86	7.50	63.71	8.09	63.91	8.10	64.04	8.12	
80%	25	47.73	1.77	55.49	2.04	63.25	2.33	73.60	2.74	83.95	3.17	94.30	3.61
	30	47.73	1.79	55.49	2.08	63.25	2.38	73.60	2.80	83.95	3.24	94.30	3.70
	35	47.73	1.83	55.49	2.13	63.25	2.43	73.60	2.87	83.95	3.32	94.30	3.79
	40	47.73	1.88	55.49	2.18	63.25	2.49	73.60	2.93	83.95	3.40	94.30	3.88
	45	47.73	1.92	55.49	2.23	63.25	2.55	73.60	3.00	83.95	3.48	94.30	3.98
	50	47.73	1.96	55.49	2.27	63.25	2.61	73.60	3.07	83.95	3.56	94.30	4.07
	55	47.73	2.00	55.49	2.33	63.25	2.67	73.60	3.15	83.95	3.66	94.30	4.19
	60	47.73	2.04	55.49	2.38	63.25	2.74	73.60	3.24	83.95	3.76	94.30	4.30
	65	47.73	2.11	55.49	2.47	63.25	2.85	73.60	3.36	83.95	3.92	94.30	4.51
	70	47.73	2.14	55.49	2.51	63.25	2.89	73.60	3.42	83.95	4.09	94.30	4.84
	75	47.73	2.20	55.49	2.61	63.25	3.06	73.60	3.74	83.95	4.50	94.30	5.33
	80	47.73	2.35	55.49	2.83	63.25	3.35	73.60	4.10	83.95	4.94	94.30	5.86
	85	47.73	2.56	55.49	3.09	63.25	3.65	73.60	4.49	83.95	5.41	94.30	6.42
	90	47.73	2.78	55.49	3.36	63.25	3.98	73.60	4.90	83.95	5.92	94.16	7.02
	95	47.73	3.01	55.49	3.65	63.25	4.33	73.60	5.33	83.95	6.46	92.38	7.42
	100	47.73	3.27	55.49	3.96	63.25	4.71	73.60	5.82	83.95	7.06	90.35	7.79
	105	47.73	3.57	55.49	4.34	63.25	5.17	73.60	6.40	83.92	7.76	88.29	8.23
	110	47.73	3.95	55.49	4.82	63.25	5.76	73.60	7.14	83.04	8.51	85.48	8.78
115	47.73	4.38	55.49	5.35	63.25	6.40	73.60	7.94	74.32	8.89	74.46	8.90	
118	47.73	4.64	55.49	5.67	61.86	6.63	63.71	7.29	63.91	8.10	64.04	8.12	

NOTE - Power Input = Compressor + Outdoor Fan Motor.  
MBH = 1000 BTUs per hour.

# COOLING CAPACITY - SINGLE MODULE - VRA096H4

Combination (%)	Outdoor Temperature °F (Dry Bulb)	Indoor Temperature - °F (Dry Bulb / Wet Bulb)											
		67 / 57		71 / 60		75 / 63		80 / 67		85 / 71		90 / 75	
		Total Cap.	Power Input	Total Cap.	Power Input	Total Cap.	Power Input	Total Cap.	Power Input	Total Cap.	Power Input	Total Cap.	Power Input
		MBH	kW	MBH	kW	MBH	kW	MBH	kW	MBH	kW	MBH	kW
70%	25	41.78	1.56	48.54	1.79	55.33	2.03	64.40	2.38	73.46	2.74	82.51	3.10
	30	41.78	1.59	48.54	1.83	55.33	2.07	64.40	2.43	73.46	2.79	82.51	3.18
	35	41.78	1.62	48.54	1.87	55.33	2.12	64.40	2.48	73.46	2.86	82.51	3.25
	40	41.78	1.65	48.54	1.90	55.33	2.17	64.40	2.53	73.46	2.92	82.51	3.33
	45	41.78	1.69	48.54	1.95	55.33	2.22	64.40	2.59	73.46	3.00	82.51	3.41
	50	41.78	1.72	48.54	1.99	55.33	2.27	64.40	2.65	73.46	3.07	82.51	3.50
	55	41.78	1.75	48.54	2.03	55.33	2.32	64.40	2.72	73.46	3.15	82.51	3.59
	60	41.78	1.79	48.54	2.08	55.33	2.38	64.40	2.79	73.46	3.23	82.51	3.68
	65	41.78	1.87	48.54	2.16	55.33	2.47	64.40	2.91	73.46	3.36	82.51	3.83
	70	41.78	1.88	48.54	2.18	55.33	2.49	64.40	2.94	73.46	3.41	82.51	3.99
	75	41.78	1.93	48.54	2.24	55.33	2.59	64.40	3.13	73.46	3.74	82.51	4.39
	80	41.78	2.02	48.54	2.41	55.33	2.82	64.40	3.42	73.46	4.09	82.51	4.82
	85	41.78	2.20	48.54	2.62	55.33	3.07	64.40	3.74	73.46	4.47	82.51	5.27
	90	41.78	2.38	48.54	2.84	55.33	3.34	64.40	4.07	73.46	4.88	82.51	5.77
	95	41.78	2.57	48.54	3.08	55.33	3.63	64.40	4.44	73.46	5.32	82.51	6.29
	100	41.78	2.79	48.54	3.34	55.33	3.94	64.40	4.82	73.46	5.81	82.51	6.88
	105	41.78	3.03	48.54	3.65	55.33	4.32	64.40	5.29	73.46	6.38	82.51	7.57
	110	41.78	3.36	48.54	4.05	55.33	4.80	64.40	5.89	73.46	7.11	82.51	8.45
115	41.78	3.71	48.54	4.49	55.33	5.32	64.40	6.54	72.79	8.23	74.46	8.90	
118	41.78	3.93	48.54	4.76	55.33	5.64	57.96	6.24	63.91	7.66	64.04	8.12	
60%	25	35.84	1.37	41.66	1.56	47.44	1.75	55.20	2.03	62.96	2.32	70.73	2.62
	30	35.84	1.40	41.66	1.59	47.44	1.79	55.20	2.07	62.96	2.36	70.73	2.68
	35	35.84	1.42	41.66	1.62	47.44	1.82	55.20	2.11	62.96	2.42	70.73	2.74
	40	35.84	1.44	41.66	1.65	47.44	1.86	55.20	2.16	62.96	2.47	70.73	2.80
	45	35.84	1.47	41.66	1.68	47.44	1.90	55.20	2.21	62.96	2.53	70.73	2.87
	50	35.84	1.50	41.66	1.71	47.44	1.94	55.20	2.26	62.96	2.60	70.73	2.94
	55	35.84	1.53	41.66	1.75	47.44	1.98	55.20	2.31	62.96	2.65	70.73	3.02
	60	35.84	1.56	41.66	1.79	47.44	2.03	55.20	2.36	62.96	2.72	70.73	3.10
	65	35.84	1.61	41.66	1.85	47.44	2.10	55.20	2.46	62.96	2.84	70.73	3.22
	70	35.84	1.62	41.66	1.87	47.44	2.13	55.20	2.49	62.96	2.87	70.73	3.27
	75	35.84	1.66	41.66	1.92	47.44	2.18	55.20	2.57	62.96	3.03	70.73	3.54
	80	35.84	1.72	41.66	2.02	47.44	2.34	55.20	2.80	62.96	3.32	70.73	3.88
	85	35.84	1.86	41.66	2.19	47.44	2.54	55.20	3.06	62.96	3.62	70.73	4.24
	90	35.84	2.01	41.66	2.37	47.44	2.76	55.20	3.32	62.96	3.95	70.73	4.63
	95	35.84	2.17	41.66	2.57	47.44	2.99	55.20	3.61	62.96	4.30	70.73	5.04
	100	35.84	2.34	41.66	2.78	47.44	3.24	55.20	3.93	62.96	4.68	70.73	5.50
	105	35.84	2.55	41.66	3.03	47.44	3.55	55.20	4.30	62.96	5.13	70.73	6.04
	110	35.84	2.81	41.66	3.35	47.44	3.93	55.20	4.77	62.96	5.71	70.73	6.72
115	35.84	3.10	41.66	3.70	47.44	4.35	55.20	5.29	62.96	6.34	70.73	7.49	
118	35.84	3.28	41.66	3.92	47.44	4.61	55.20	5.61	57.93	6.18	64.04	7.19	
50%	25	29.90	1.18	34.79	1.33	39.55	1.48	46.00	1.68	52.47	1.90	58.94	2.14
	30	29.90	1.21	34.79	1.35	39.55	1.50	46.00	1.70	52.47	1.94	58.94	2.19
	35	29.90	1.22	34.79	1.37	39.55	1.53	46.00	1.74	52.47	1.98	58.94	2.23
	40	29.90	1.23	34.79	1.39	39.55	1.56	46.00	1.78	52.47	2.02	58.94	2.28
	45	29.90	1.26	34.79	1.41	39.55	1.58	46.00	1.82	52.47	2.07	58.94	2.33
	50	29.90	1.28	34.79	1.44	39.55	1.61	46.00	1.87	52.47	2.12	58.94	2.39
	55	29.90	1.31	34.79	1.47	39.55	1.65	46.00	1.89	52.47	2.16	58.94	2.45
	60	29.90	1.33	34.79	1.50	39.55	1.68	46.00	1.94	52.47	2.22	58.94	2.51
	65	29.90	1.35	34.79	1.54	39.55	1.73	46.00	2.02	52.47	2.31	58.94	2.61
	70	29.90	1.37	34.79	1.57	39.55	1.77	46.00	2.04	52.47	2.32	58.94	2.54
	75	29.90	1.40	34.79	1.61	39.55	1.77	46.00	2.02	52.47	2.33	58.94	2.69
	80	29.90	1.42	34.79	1.64	39.55	1.87	46.00	2.19	52.47	2.55	58.94	2.95
	85	29.90	1.52	34.79	1.76	39.55	2.01	46.00	2.38	52.47	2.77	58.94	3.21
	90	29.90	1.63	34.79	1.90	39.55	2.18	46.00	2.58	52.47	3.02	58.94	3.49
	95	29.90	1.76	34.79	2.05	39.55	2.35	46.00	2.78	52.47	3.28	58.94	3.79
	100	29.90	1.90	34.79	2.21	39.55	2.54	46.00	3.03	52.47	3.55	58.94	4.12
	105	29.90	2.07	34.79	2.41	39.55	2.77	46.00	3.30	52.47	3.88	58.94	4.52
	110	29.90	2.27	34.79	2.65	39.55	3.05	46.00	3.65	52.47	4.31	58.94	5.00
115	29.90	2.48	34.79	2.91	39.55	3.37	46.00	4.04	52.47	4.46	58.94	6.08	
118	29.90	2.63	34.79	3.09	39.55	3.57	46.00	4.29	52.47	4.72	58.94	6.44	

NOTE - Power Input = Compressor + Outdoor Fan Motor.  
MBH = 1000 BTUs per hour.



## HEATING CAPACITY - SINGLE MODULE - VRA096H4

Combination (%)	Outdoor Temperature (°F)		Indoor Temperature - °F Dry Bulb											
			61		64		67		70		73		75	
	Dry Bulb	Wet Bulb	Total Cap. MBH	Power Input kW	Total Cap. MBH	Power Input kW	Total Cap. MBH	Power Input kW	Total Cap. MBH	Power Input kW	Total Cap. MBH	Power Input kW	Total Cap. MBH	Power Input kW
130%	-13	-13	45.35	6.36	45.21	6.59	45.08	6.80	44.94	6.99	44.80	7.19	44.69	7.30
	-8	-9	53.92	7.40	53.75	7.62	53.60	7.82	53.43	8.00	53.27	8.18	53.14	8.28
	-3	-4	64.24	8.50	64.04	8.68	63.86	8.86	63.66	9.02	63.46	9.17	63.31	9.27
	2	1	71.56	9.54	71.35	9.68	71.13	9.82	70.96	9.95	70.71	10.07	70.59	10.15
	7	6	78.97	10.41	78.75	10.52	78.48	10.61	78.29	10.70	78.03	10.78	77.90	10.84
	12	10	86.57	11.24	86.35	11.29	86.07	11.35	85.87	11.40	85.60	11.44	85.47	11.47
	17	15	92.52	11.54	92.29	11.55	92.08	11.55	91.91	11.55	91.64	11.55	91.51	11.56
	22	20	98.78	11.37	98.55	11.38	98.34	11.38	98.07	11.38	97.90	11.38	97.76	11.38
	27	24	103.21	11.03	102.46	11.03	102.22	11.03	102.22	11.03	101.89	11.04	101.23	11.04
	32	29	107.54	10.33	107.11	10.33	106.71	10.33	106.58	10.33	106.39	10.33	106.00	10.34
	37	34	111.79	9.74	111.43	9.74	111.00	9.74	110.84	9.75	110.84	9.75	110.84	9.75
	42	38	122.69	9.13	122.40	9.13	121.91	9.13	118.87	9.13	118.68	9.13	118.30	9.13
	47	43	120.21	8.41	117.49	8.41	114.76	8.41	112.04	8.41	109.31	8.41	107.49	8.41
	52	47	124.62	8.07	121.89	8.07	119.17	8.07	116.44	8.08	113.72	8.08	111.90	8.08
	57	52	130.12	7.78	127.40	7.78	124.67	7.78	121.95	7.78	119.22	7.78	117.41	7.78
	62	56	134.53	7.61	131.81	7.61	129.08	7.61	126.36	7.61	123.63	7.61	118.33	7.25
	67	61	140.04	7.32	137.31	7.32	134.59	7.32	131.86	7.32	124.56	6.90	118.33	6.49
72	66	145.55	7.04	142.82	7.04	140.10	7.04	133.90	6.74	124.56	6.19	118.33	5.84	
75	69	148.85	6.91	146.12	6.91	143.40	6.91	135.12	6.44	124.56	5.82	118.33	5.48	
120%	-13	-13	45.13	6.74	44.99	6.91	44.86	7.09	44.76	7.25	44.63	7.42	44.55	7.51
	-8	-9	53.65	7.75	53.49	7.92	53.33	8.08	53.21	8.24	53.06	8.39	52.96	8.48
	-3	-4	63.92	8.80	63.72	8.95	63.54	9.09	63.40	9.23	63.22	9.36	63.10	9.44
	2	1	71.23	9.77	71.03	9.89	70.83	10.01	70.68	10.12	70.43	10.21	70.31	10.28
	7	6	78.58	10.57	78.36	10.66	78.16	10.74	78.00	10.82	77.74	10.88	77.61	10.93
	12	10	86.17	11.33	85.94	11.38	85.73	11.41	85.57	11.47	85.35	11.49	85.17	11.51
	17	15	92.22	11.55	91.99	11.55	91.78	11.55	91.51	11.55	91.34	11.56	91.20	11.56
	22	20	98.47	11.38	98.24	11.38	98.03	11.38	97.76	11.38	97.59	11.39	97.46	11.39
	27	24	102.22	11.03	102.22	11.03	102.22	11.03	102.22	11.04	101.23	11.04	101.23	11.04
	32	29	106.97	10.33	106.68	10.33	106.58	10.33	106.58	10.33	106.00	10.34	106.00	10.34
	37	34	111.32	9.74	110.96	9.74	110.84	9.75	110.84	9.75	108.88	9.75	107.95	9.75
	42	38	116.07	9.13	115.66	9.13	115.52	9.13	115.52	9.13	112.71	9.13	109.38	9.14
	47	43	123.39	8.82	121.95	8.74	120.47	8.57	117.75	8.57	115.04	8.57	109.23	8.57
	52	47	128.24	8.40	125.58	8.16	122.91	8.08	120.24	8.00	114.98	8.00	109.23	7.84
	57	52	130.29	7.84	127.69	7.70	125.10	7.55	122.51	7.40	114.98	7.39	109.23	7.09
	62	56	134.82	7.51	130.95	7.37	127.12	7.23	123.35	7.09	114.98	6.72	109.23	6.40
	67	61	139.13	7.25	133.89	7.03	128.75	6.89	123.60	6.63	114.98	6.28	109.23	5.86
72	66	141.91	7.04	138.00	6.83	130.90	6.64	123.60	6.14	114.98	5.65	109.23	5.33	
75	69	145.22	6.91	142.70	6.57	132.73	6.28	123.60	5.76	114.98	5.31	109.23	5.01	
110%	-13	-13	44.92	7.04	44.80	7.19	44.67	7.34	44.55	7.49	44.45	7.61	44.36	7.68
	-8	-9	53.40	8.04	53.26	8.18	53.11	8.32	52.96	8.46	52.84	8.57	52.74	8.63
	-3	-4	63.63	9.05	63.45	9.18	63.28	9.30	63.10	9.42	62.96	9.51	62.84	9.55
	2	1	70.86	9.98	70.73	10.08	70.56	10.17	70.36	10.27	70.17	10.33	70.08	10.35
	7	6	78.19	10.72	78.05	10.79	77.87	10.85	77.71	10.92	77.47	10.96	77.38	10.96
	12	10	85.77	11.40	85.62	11.44	85.43	11.48	85.27	11.51	85.07	11.52	84.94	11.51
	17	15	91.81	11.55	91.58	11.55	91.44	11.56	91.20	11.56	91.04	11.56	90.90	11.56
	22	20	98.07	11.38	97.84	11.38	97.69	11.38	97.46	11.39	97.29	11.39	97.15	11.39
	27	24	102.22	11.03	102.22	11.03	101.56	11.04	101.23	11.04	101.23	11.04	100.13	11.04
	32	29	106.58	10.33	106.58	10.33	106.19	10.34	106.00	10.34	104.97	10.34	100.13	10.34
	37	34	113.06	9.46	110.84	9.46	110.84	9.46	109.90	9.46	105.40	9.47	100.13	9.47
	42	38	119.20	8.78	116.82	8.78	116.13	8.78	113.30	8.78	105.40	8.78	100.13	8.79
	47	43	123.11	8.01	121.77	8.01	118.78	8.01	113.30	8.01	105.40	8.01	100.13	7.74
	52	47	125.21	7.84	123.93	7.84	121.20	7.84	113.30	7.84	105.40	7.52	100.13	7.07
	57	52	129.00	7.63	126.58	7.63	121.20	7.63	113.30	7.34	105.40	6.74	100.13	6.36
	62	56	132.35	7.46	127.82	7.46	121.20	7.31	113.30	6.76	105.40	6.21	100.13	5.86
	67	61	135.43	7.25	129.11	7.12	121.20	6.61	113.30	6.11	105.40	5.63	100.13	5.31
72	66	137.01	6.93	129.11	6.46	121.20	6.00	113.30	5.56	105.40	5.12	100.13	4.84	
75	69	139.56	6.74	129.11	6.06	121.20	5.64	113.30	5.22	105.40	4.82	100.13	4.55	

NOTE - Power Input = Compressor + Outdoor Fan Motor.  
MBH = 1000 BTUs per hour.

# HEATING CAPACITY - SINGLE MODULE - VRA096H4

Combination (%)	Outdoor Temperature (°F)		Indoor Temperature - °F Dry Bulb											
			61		64		67		70		73		75	
	Dry Bulb	Wet Bulb	Total Cap. MBH	Power Input kW	Total Cap. MBH	Power Input kW	Total Cap. MBH	Power Input kW	Total Cap. MBH	Power Input kW	Total Cap. MBH	Power Input kW	Total Cap. MBH	Power Input kW
100%	-13	-13	44.69	7.34	44.59	7.47	44.48	7.58	44.36	7.74	44.27	7.82	44.20	8.22
	-8	-9	53.14	8.32	53.01	8.44	52.88	8.55	52.74	8.70	52.63	8.77	52.55	9.21
	-3	-4	63.31	9.30	63.15	9.40	63.01	9.50	62.84	9.64	62.70	9.69	62.61	10.18
	2	1	70.59	10.17	70.38	10.25	70.25	10.33	70.08	10.45	69.91	10.49	69.85	11.01
	7	6	77.90	10.85	77.68	10.91	77.55	10.96	77.38	11.07	77.19	11.08	77.13	11.64
	12	10	85.47	11.47	85.30	11.51	85.12	11.54	84.94	11.61	84.78	11.59	84.66	11.80
	17	15	91.41	11.55	91.25	11.56	91.07	11.56	90.90	11.56	90.73	11.56	90.60	11.56
	22	20	97.66	11.38	97.51	11.38	97.32	11.39	97.15	11.39	95.81	11.39	91.02	11.39
	27	24	101.23	11.04	101.23	11.04	101.23	11.04	101.23	11.04	95.81	11.04	91.02	11.04
	32	29	106.00	10.33	103.92	10.34	103.42	10.34	101.65	10.34	95.81	10.34	91.02	10.34
	37	34	111.95	9.65	108.68	9.65	106.91	9.47	101.88	9.47	95.81	9.47	91.02	9.47
	42	38	114.86	9.13	111.82	8.96	107.75	8.78	102.08	8.78	95.81	8.61	91.02	8.32
	47	43	118.51	8.57	113.97	8.41	108.27	8.17	103.00	8.01	95.81	7.57	91.02	7.13
	52	47	119.55	8.16	114.97	8.00	109.52	7.69	103.00	7.31	95.81	6.86	91.02	6.34
	57	52	121.61	7.86	117.13	7.63	110.19	7.11	103.00	6.57	95.81	6.04	91.02	5.70
	62	56	123.63	7.46	117.37	7.04	110.19	6.54	103.00	6.05	95.81	5.57	91.02	5.27
	67	61	124.56	6.83	117.37	6.37	110.19	5.92	103.00	5.48	95.81	5.06	91.02	4.78
	72	66	124.56	6.19	117.37	5.78	110.19	5.38	103.00	4.99	95.81	4.61	91.02	4.36
	75	69	124.56	5.82	117.37	5.43	110.19	5.06	103.00	4.70	95.81	4.34	91.02	4.11
	90%	-13	-13	43.74	8.07	43.65	8.21	43.56	8.34	43.48	8.51	43.38	8.61	43.32
-8		-9	52.00	9.15	51.90	9.28	51.79	9.40	51.69	9.57	51.58	9.65	51.50	10.13
-3		-4	61.96	10.23	61.83	10.34	61.71	10.45	61.58	10.60	61.45	10.66	61.35	11.20
2		1	68.38	11.19	68.25	11.27	68.11	11.36	67.98	11.50	67.81	11.54	67.75	11.87
7		6	74.69	12.11	74.55	12.12	74.42	12.12	74.28	12.12	74.10	12.12	74.04	12.13
12		10	81.95	12.14	81.81	12.14	81.68	12.14	81.54	12.15	81.39	12.15	81.28	12.15
17		15	87.75	11.79	87.61	11.79	87.43	11.79	87.26	11.80	84.51	11.80	81.92	11.80
22		20	92.64	11.39	92.50	11.39	91.41	11.39	90.35	11.39	86.23	11.39	81.92	11.39
27		24	99.71	11.04	97.58	11.04	94.79	11.04	92.70	11.04	86.23	11.04	81.92	11.05
32		29	104.34	10.54	100.88	10.34	96.93	10.34	92.70	10.34	86.23	10.34	81.92	10.34
37		34	106.69	9.75	102.76	9.47	97.91	9.47	92.70	9.47	86.23	9.12	81.92	8.58
42		38	108.85	9.05	103.79	8.78	98.89	8.79	92.70	8.51	86.23	7.81	81.92	7.36
47		43	109.94	8.17	104.83	8.01	99.17	7.66	92.70	7.07	86.23	6.51	81.92	6.14
52		47	111.18	7.84	105.63	7.54	99.17	7.00	92.70	6.47	86.23	5.96	81.92	5.63
57		52	112.10	7.25	105.63	6.76	99.17	6.29	92.70	5.82	86.23	5.37	81.92	5.08
62		56	112.10	6.67	105.63	6.23	99.17	5.79	92.70	5.37	86.23	4.96	81.92	4.69
67		61	112.10	6.04	105.63	5.64	99.17	5.26	92.70	4.88	86.23	4.51	81.92	4.27
72		66	112.10	5.49	105.63	5.13	99.17	4.79	92.70	4.45	86.23	4.12	81.92	3.90
75		69	112.10	5.16	105.63	4.83	99.17	4.51	92.70	4.19	86.23	3.88	81.92	3.68
80%		-13	-13	42.85	8.88	42.76	9.04	42.66	9.18	42.61	9.36	42.51	9.47	42.45
	-8	-9	50.94	10.07	50.83	10.21	50.72	10.34	50.66	10.52	50.54	10.61	50.47	11.14
	-3	-4	60.69	11.25	60.56	11.37	60.43	11.49	60.35	11.66	60.22	11.73	60.13	12.32
	2	1	66.96	12.31	66.83	12.40	66.70	12.50	66.56	12.65	66.45	12.69	66.39	12.92
	7	6	73.11	12.84	73.00	12.85	72.84	12.85	72.69	12.85	72.26	12.86	71.57	12.86
	12	10	80.36	12.63	80.23	12.63	80.07	12.63	79.91	12.64	75.12	12.64	72.82	12.64
	17	15	85.36	12.15	85.21	12.15	85.10	12.15	82.40	12.15	76.65	12.15	72.82	12.16
	22	20	90.79	11.73	90.22	11.73	86.98	11.73	82.40	11.74	76.65	11.74	72.82	11.74
	27	24	96.32	11.04	91.60	11.04	86.98	11.04	82.40	11.05	76.65	11.05	72.82	10.93
	32	29	96.32	10.34	91.60	10.34	86.98	10.34	82.40	10.34	76.65	9.65	72.82	9.09
	37	34	96.32	9.47	91.60	9.47	86.98	9.36	82.40	8.64	76.65	7.94	72.82	7.49
	42	38	96.32	8.79	91.60	8.64	86.98	8.02	82.40	7.41	76.65	6.82	72.82	6.44
	47	43	96.32	7.70	91.60	7.18	86.98	6.67	82.40	6.18	76.65	5.70	72.82	5.39
	52	47	96.32	7.04	91.60	6.57	86.98	6.11	82.40	5.66	76.65	5.23	72.82	4.95
	57	52	96.32	6.32	91.60	5.91	86.98	5.50	82.40	5.11	76.65	4.73	72.82	4.47
	62	56	96.32	5.83	91.60	5.45	86.98	5.08	82.40	4.72	76.65	4.37	72.82	4.14
	67	61	96.32	5.29	91.60	4.95	86.98	4.62	82.40	4.30	76.65	3.98	72.82	3.78
	72	66	96.32	4.81	91.60	4.51	86.98	4.22	82.40	3.93	76.65	3.65	72.82	3.46
	75	69	96.32	4.53	91.60	4.25	86.98	3.97	82.40	3.71	76.65	3.44	72.82	3.27

NOTE - Power Input = Compressor + Outdoor Fan Motor.  
 MBH = 1000 BTUs per hour.

# HEATING CAPACITY - SINGLE MODULE - VRA096H4

Combination (%)	Outdoor Temperature (°F)		Indoor Temperature - °F Dry Bulb											
			61		64		67		70		73		75	
	Dry Bulb	Wet Bulb	Total Cap. MBH	Power Input kW	Total Cap. MBH	Power Input kW	Total Cap. MBH	Power Input kW	Total Cap. MBH	Power Input kW	Total Cap. MBH	Power Input kW	Total Cap. MBH	Power Input kW
70%	-13	-13	41.99	10.39	41.90	10.40	41.83	10.40	41.75	10.40	41.30	10.41	40.42	10.41
	-8	-9	49.92	11.10	49.82	11.10	49.74	11.10	49.64	11.11	49.10	11.11	48.06	11.11
	-3	-4	59.48	11.69	59.35	11.69	59.25	11.69	59.14	11.70	58.49	11.70	57.26	11.70
	2	1	65.83	12.28	65.70	12.29	65.60	12.29	64.57	12.29	62.81	12.30	61.27	12.30
	7	6	73.34	12.59	73.20	12.60	72.47	12.60	69.94	12.60	66.71	12.60	63.72	12.60
	12	10	80.15	12.63	78.83	12.64	75.98	12.64	72.10	12.64	67.07	12.64	63.72	12.64
	17	15	84.12	12.15	80.11	12.15	76.11	12.15	72.10	12.16	67.07	12.16	63.72	12.16
	22	20	84.12	11.73	80.11	11.74	76.11	11.74	72.10	11.74	67.07	11.70	63.72	11.01
	27	24	84.12	11.04	80.11	11.05	76.11	11.05	72.10	10.80	67.07	9.92	63.72	9.34
	32	29	84.12	10.34	80.11	10.34	76.11	9.72	72.10	8.99	67.07	8.27	63.72	7.80
	37	34	84.12	9.24	80.11	8.61	76.11	8.00	72.10	7.41	67.07	6.83	63.72	6.45
	42	38	84.12	7.91	80.11	7.39	76.11	6.87	72.10	6.37	67.07	5.88	63.72	5.56
	47	43	84.12	6.59	80.11	6.16	76.11	5.74	72.10	5.33	67.07	4.93	63.72	4.67
	52	47	84.12	6.04	80.11	5.65	76.11	5.27	72.10	4.90	67.07	4.53	63.72	4.30
	57	52	84.12	5.44	80.11	5.09	76.11	4.76	72.10	4.43	67.07	4.11	63.72	3.90
62	56	84.12	5.02	80.11	4.71	76.11	4.40	72.10	4.10	67.07	3.81	63.72	3.61	
67	61	84.12	4.57	80.11	4.29	76.11	4.01	72.10	3.74	67.07	3.48	63.72	3.30	
72	66	84.12	4.17	80.11	3.92	76.11	3.67	72.10	3.43	67.07	3.19	63.72	3.03	
75	69	84.12	3.93	80.11	3.69	76.11	3.46	72.10	3.24	67.07	3.01	63.72	2.87	
60%	-13	-13	41.15	10.40	41.06	10.40	41.00	10.41	40.92	10.41	40.47	10.41	39.61	10.42
	-8	-9	47.21	11.11	46.63	11.11	46.07	11.11	45.50	11.12	44.70	11.12	43.50	11.12
	-3	-4	57.02	11.69	55.82	11.70	54.63	11.70	53.44	11.70	52.17	11.71	50.50	11.71
	2	1	64.64	12.29	62.77	12.29	60.92	12.30	59.06	12.30	56.74	12.30	53.52	12.30
	7	6	69.23	12.60	66.75	12.60	64.28	12.60	61.80	12.60	57.49	12.61	54.61	12.61
	12	10	70.71	12.64	67.74	12.64	64.77	12.64	61.80	12.64	57.49	12.64	54.61	12.65
	17	15	72.10	12.15	68.67	12.16	65.23	12.16	61.80	12.16	57.49	11.68	54.61	10.99
	22	20	73.07	11.74	69.59	11.74	66.11	11.50	61.80	10.62	57.49	9.77	54.61	9.21
	27	24	73.07	11.05	69.59	10.50	66.11	9.75	61.80	9.02	57.49	8.31	54.61	7.85
	32	29	73.07	9.37	69.59	8.74	66.11	8.13	61.80	7.54	57.49	6.96	54.61	6.58
	37	34	73.07	7.72	69.59	7.21	66.11	6.72	61.80	6.24	57.49	5.77	54.61	5.47
	42	38	73.07	6.63	69.59	6.21	66.11	5.79	61.80	5.39	57.49	4.99	54.61	4.73
	47	43	74.73	5.54	70.42	5.19	66.11	4.85	61.80	4.52	57.49	4.19	54.61	3.98
	52	47	74.73	5.09	70.42	4.77	66.11	4.47	61.80	4.16	57.49	3.87	54.61	3.67
	57	52	74.73	4.60	70.42	4.32	66.11	4.05	61.80	3.78	57.49	3.51	54.61	3.34
62	56	74.73	4.26	70.42	4.00	66.11	3.75	61.80	3.51	57.49	3.27	54.61	3.11	
67	61	74.73	3.88	70.42	3.65	66.11	3.43	61.80	3.21	57.49	2.99	54.61	2.85	
72	66	74.73	3.55	70.42	3.35	66.11	3.14	61.80	2.94	57.49	2.75	54.61	2.62	
75	69	74.73	3.35	70.42	3.16	66.11	2.97	61.80	2.79	57.49	2.60	54.61	2.48	
50%	-13	-13	40.33	10.41	40.24	10.41	40.18	10.42	40.10	10.42	39.66	10.42	38.23	10.42
	-8	-9	44.99	11.12	44.67	11.12	43.97	11.12	43.47	11.12	42.54	11.13	40.91	11.13
	-3	-4	51.95	11.70	51.34	11.70	49.85	11.71	48.84	11.71	46.95	11.71	44.60	11.71
	2	1	55.08	12.30	54.21	12.30	51.97	12.30	50.47	12.30	47.91	12.31	45.51	12.31
	7	6	57.61	12.60	56.47	12.61	53.49	12.61	51.50	12.61	47.91	12.61	45.51	12.23
	12	10	58.97	12.39	57.59	12.39	53.93	12.39	51.50	12.33	47.91	11.32	45.51	10.67
	17	15	60.90	12.16	58.69	11.96	54.36	11.10	51.50	10.27	47.91	9.45	45.51	8.92
	22	20	61.66	10.72	58.69	10.00	55.09	9.30	51.50	8.62	47.91	7.96	45.51	7.53
	27	24	62.28	9.10	58.69	8.51	55.09	7.93	51.50	7.36	47.91	6.81	45.51	6.45
	32	29	62.28	7.61	58.69	7.12	55.09	6.65	51.50	6.18	47.91	5.73	45.51	5.43
	37	34	62.28	6.29	58.69	5.90	55.09	5.52	51.50	5.14	47.91	4.78	45.51	4.54
	42	38	62.28	5.43	58.69	5.10	55.09	4.77	51.50	4.45	47.91	4.14	45.51	3.94
	47	43	62.28	4.56	58.69	4.28	55.09	4.02	51.50	3.75	47.91	3.50	45.51	3.33
	52	47	62.28	4.20	58.69	3.95	55.09	3.71	51.50	3.47	47.91	3.23	45.51	3.08
	57	52	62.28	3.81	58.69	3.59	55.09	3.37	51.50	3.16	47.91	2.95	45.51	2.81
62	56	62.28	3.53	58.69	3.33	55.09	3.13	51.50	2.94	47.91	2.75	45.51	2.62	
67	61	62.28	3.23	58.69	3.05	55.09	2.87	51.50	2.70	47.91	2.52	45.51	2.41	
72	66	62.28	2.97	58.69	2.80	55.09	2.64	51.50	2.48	47.91	2.33	45.51	2.23	
75	69	62.28	2.81	58.69	2.65	55.09	2.50	51.50	2.36	47.91	2.21	45.51	2.11	

NOTE - Power Input = Compressor + Outdoor Fan Motor.  
MBH = 1000 BTUs per hour.

## COOLING CAPACITY - SINGLE MODULE - VRA120H4

Combination (%)	Outdoor Temperature °F (Dry Bulb)	Indoor Temperature - °F (Dry Bulb / Wet Bulb)											
		67 / 57		71 / 60		75 / 63		80 / 67		85 / 71		90 / 75	
		Total Cap.	Power Input	Total Cap.	Power Input	Total Cap.	Power Input	Total Cap.	Power Input	Total Cap.	Power Input	Total Cap.	Power Input
		MBH	kW	MBH	kW	MBH	kW	MBH	kW	MBH	kW	MBH	kW
130%	25	96.79	3.90	112.60	4.62	128.74	5.37	149.50	6.39	161.82	6.76	165.65	6.49
	30	96.79	3.99	112.60	4.73	128.74	5.49	149.50	6.54	159.08	6.72	162.92	6.44
	35	96.79	4.09	112.60	4.84	128.74	5.63	149.50	6.70	156.69	6.67	160.52	6.38
	40	96.79	4.18	112.60	4.96	128.74	5.76	149.50	6.86	154.29	6.62	158.13	6.33
	45	96.79	4.28	112.60	5.09	128.74	5.91	147.10	6.84	151.42	6.57	155.25	6.27
	50	96.79	4.38	112.60	5.22	128.74	6.06	144.71	6.82	148.54	6.51	152.38	6.21
	55	96.79	4.50	112.60	5.35	128.74	6.22	142.31	6.77	146.15	6.50	149.98	6.37
	60	96.79	4.62	112.60	5.50	128.74	6.39	139.92	6.83	143.75	6.80	147.58	6.87
	65	96.79	4.82	112.60	5.77	128.26	6.85	135.36	7.34	139.92	7.58	143.75	7.67
	70	96.79	4.93	112.60	6.12	126.82	7.26	134.17	7.69	138.00	7.78	141.83	7.86
	75	96.79	5.41	112.60	6.73	125.54	7.80	132.25	8.18	136.08	8.28	139.92	8.36
	80	96.79	5.93	112.60	7.40	123.31	8.36	128.90	8.67	133.09	8.77	137.28	8.87
	85	96.79	6.50	112.60	8.11	121.71	8.94	126.50	9.17	130.33	9.28	134.17	9.38
	90	96.79	7.10	112.60	8.85	120.11	9.53	124.10	9.66	127.94	9.78	131.77	9.88
	95	96.79	7.74	111.17	9.42	117.88	10.04	121.71	10.16	125.06	10.28	125.54	10.31
	100	96.79	8.45	108.65	9.97	114.52	10.54	118.83	10.65	119.55	10.66	119.55	10.66
	105	96.79	9.29	107.09	10.63	112.02	11.15	113.40	11.18	113.40	11.18	113.40	11.18
	110	96.79	10.36	103.98	11.40	106.38	11.75	106.38	11.75	106.38	11.75	107.33	11.75
115	92.00	11.85	92.14	11.85	92.32	11.93	92.58	11.96	92.86	11.96	93.15	11.96	
118	79.12	10.81	79.24	10.81	79.39	10.87	79.61	10.90	79.86	10.90	80.11	10.90	
120%	25	89.51	3.58	104.31	4.23	118.83	4.89	138.00	5.82	156.14	6.70	162.78	6.68
	30	89.51	3.65	104.31	4.32	118.83	5.01	138.00	5.96	154.77	6.76	160.04	6.64
	35	89.51	3.74	104.31	4.42	118.83	5.13	138.00	6.11	153.09	6.78	157.65	6.58
	40	89.51	3.82	104.31	4.53	118.83	5.26	138.00	6.26	151.42	6.80	155.25	6.53
	45	89.51	3.92	104.31	4.64	118.83	5.39	138.00	6.42	149.02	6.75	152.38	6.48
	50	89.51	4.01	104.31	4.76	118.83	5.52	138.00	6.58	146.63	6.71	149.50	6.42
	55	89.51	4.12	104.31	4.88	118.83	5.67	138.00	6.76	143.63	6.65	147.10	6.44
	60	89.51	4.22	104.31	5.01	118.83	5.82	137.04	6.87	140.88	6.79	144.71	6.82
	65	89.51	4.40	104.31	5.23	118.83	6.15	133.21	7.18	137.04	7.48	140.88	7.60
	70	89.51	4.46	104.31	5.46	118.83	6.58	132.25	7.65	136.08	7.73	139.92	7.80
	75	89.51	4.85	104.31	6.00	118.83	7.25	129.38	8.14	133.21	8.21	137.04	8.30
	80	89.51	5.31	104.31	6.58	118.67	7.95	126.98	8.62	130.81	8.71	134.65	8.80
	85	89.51	5.81	104.31	7.21	117.56	8.58	124.58	9.11	128.42	9.21	131.77	9.30
	90	89.51	6.34	104.31	7.89	115.96	9.15	122.19	9.60	125.30	9.71	128.90	9.81
	95	89.51	6.90	104.31	8.61	114.36	9.73	118.83	10.10	122.67	10.21	125.54	10.31
	100	89.51	7.53	104.31	9.41	112.13	10.35	116.44	10.59	119.19	10.66	119.55	10.66
	105	89.51	8.27	103.84	10.27	110.53	11.03	113.08	11.18	113.40	11.18	113.40	11.18
	110	89.51	9.22	102.16	11.12	106.38	11.75	106.38	11.75	106.38	11.75	107.33	11.75
115	89.51	10.26	91.52	11.46	92.32	11.93	92.58	11.96	92.86	11.96	93.15	11.96	
118	79.12	9.61	79.24	10.51	79.39	10.87	79.61	10.90	79.86	10.90	80.11	10.90	
110%	25	82.13	3.26	95.28	3.83	108.61	4.43	126.50	5.27	144.23	6.13	159.90	6.87
	30	82.13	3.32	95.28	3.92	108.61	4.53	126.50	5.39	144.23	6.28	157.17	6.83
	35	82.13	3.40	95.28	4.01	108.61	4.64	126.50	5.52	144.23	6.43	154.77	6.78
	40	82.13	3.48	95.28	4.11	108.61	4.76	126.50	5.65	144.23	6.58	152.38	6.74
	45	82.13	3.56	95.28	4.21	108.61	4.88	126.50	5.80	143.27	6.67	149.98	6.69
	50	82.13	3.64	95.28	4.31	108.61	5.00	126.50	5.95	142.31	6.75	147.58	6.64
	55	82.13	3.73	95.28	4.42	108.61	5.13	126.50	6.11	140.99	6.81	144.23	6.59
	60	82.13	3.83	95.28	4.54	108.61	5.26	126.50	6.27	138.72	6.86	141.83	6.77
	65	82.13	3.99	95.28	4.74	108.61	5.50	126.50	6.70	134.29	7.26	138.00	7.55
	70	82.13	4.04	95.28	4.86	108.61	5.80	126.50	7.23	133.21	7.68	137.04	7.75
	75	82.13	4.31	95.28	5.31	108.61	6.38	126.50	7.97	130.81	8.16	134.17	8.23
	80	82.13	4.72	95.28	5.82	108.61	7.00	125.06	8.57	128.30	8.65	131.77	8.73
	85	82.13	5.15	95.28	6.37	108.61	7.68	122.67	9.06	125.54	9.14	129.38	9.23
	90	82.13	5.62	95.28	6.95	108.61	8.39	119.55	9.54	123.15	9.63	126.26	9.73
	95	82.13	6.12	95.28	7.59	108.61	9.18	116.92	10.02	120.75	10.13	123.63	10.24
	100	82.13	6.67	95.28	8.28	107.65	9.89	114.52	10.52	117.76	10.62	119.55	10.66
	105	82.13	7.31	95.28	9.10	106.27	10.60	111.81	11.08	113.40	11.18	113.40	11.18
	110	82.13	8.14	95.28	10.13	104.14	11.43	106.38	11.75	106.38	11.75	107.33	11.75
115	82.13	9.05	89.68	11.15	92.32	11.93	92.58	11.96	92.86	11.96	93.15	11.96	
118	79.12	9.24	79.24	10.45	79.39	10.87	79.61	10.90	79.86	10.90	80.11	10.90	

NOTE - Power Input = Compressor + Outdoor Fan Motor.  
MBH = 1000 BTUs per hour.

## COOLING CAPACITY - SINGLE MODULE - VRA120H4

Combination (%)	Outdoor Temperature °F (Dry Bulb)	Indoor Temperature - °F (Dry Bulb / Wet Bulb)											
		67 / 57		71 / 60		75 / 63		80 / 67		85 / 71		90 / 75	
		Total Cap.	Power Input	Total Cap.	Power Input	Total Cap.	Power Input	Total Cap.	Power Input	Total Cap.	Power Input	Total Cap.	Power Input
		MBH	kW	MBH	kW	MBH	kW	MBH	kW	MBH	kW	MBH	kW
100%	25	74.65	2.96	86.73	3.46	98.61	3.99	115.00	4.72	131.29	5.49	147.58	6.28
	30	74.65	3.02	86.73	3.53	98.61	4.07	115.00	4.83	131.29	5.62	147.58	6.42
	35	74.65	3.08	86.73	3.62	98.61	4.17	115.00	4.95	131.29	5.76	147.58	6.58
	40	74.65	3.14	86.73	3.70	98.61	4.27	115.00	5.07	131.29	5.90	147.58	6.74
	45	74.65	3.22	86.73	3.79	98.61	4.38	115.00	5.20	131.29	6.05	146.15	6.80
	50	74.65	3.29	86.73	3.88	98.61	4.48	115.00	5.32	131.29	6.20	144.71	6.85
	55	74.65	3.37	86.73	3.97	98.61	4.60	115.00	5.47	131.29	6.37	142.07	6.80
	60	74.65	3.46	86.73	4.08	98.61	4.72	115.00	5.62	131.29	6.54	138.96	6.84
	65	74.65	3.60	86.73	4.25	98.61	4.92	115.00	5.86	130.93	7.01	135.13	7.31
	70	74.65	3.64	86.73	4.30	98.61	5.08	115.00	6.28	129.38	7.46	134.17	7.68
	75	74.65	3.81	86.73	4.65	98.61	5.57	115.00	6.91	128.42	8.07	131.29	8.17
	80	74.65	4.16	86.73	5.10	98.61	6.10	115.00	7.59	125.90	8.59	128.90	8.66
	85	74.65	4.54	86.73	5.57	98.61	6.69	115.00	8.32	123.15	9.08	126.50	9.16
	90	74.65	4.95	86.73	6.08	98.61	7.31	115.00	9.11	120.75	9.57	123.39	9.65
	95	74.65	5.38	86.73	6.62	98.61	7.97	115.00	9.96	117.88	10.06	120.75	10.15
	100	74.65	5.85	86.73	7.22	98.61	8.70	112.60	10.44	115.48	10.55	118.11	10.64
	105	74.65	6.42	86.73	7.93	98.61	9.57	109.89	11.04	112.44	11.13	113.40	11.18
	110	74.65	7.13	86.73	8.83	98.61	10.68	106.38	11.75	106.38	11.75	107.33	11.75
115	74.65	7.92	86.73	9.83	91.84	11.46	92.58	11.96	92.86	11.96	93.15	11.96	
118	74.65	8.39	76.32	9.17	79.39	10.50	79.61	10.90	79.86	10.90	80.11	10.90	
90%	25	67.18	2.66	78.03	3.10	88.93	3.55	103.50	4.19	117.88	4.86	132.25	5.56
	30	67.18	2.71	78.03	3.16	88.93	3.63	103.50	4.29	117.88	4.98	132.25	5.69
	35	67.18	2.77	78.03	3.23	88.93	3.72	103.50	4.39	117.88	5.10	132.25	5.83
	40	67.18	2.83	78.03	3.30	88.93	3.80	103.50	4.50	117.88	5.22	132.25	5.97
	45	67.18	2.89	78.03	3.38	88.93	3.89	103.50	4.61	117.88	5.36	132.25	6.12
	50	67.18	2.95	78.03	3.46	88.93	3.98	103.50	4.72	117.88	5.49	132.25	6.28
	55	67.18	3.02	78.03	3.54	88.93	4.08	103.50	4.84	117.88	5.63	132.25	6.45
	60	67.18	3.09	78.03	3.63	88.93	4.19	103.50	4.97	117.88	5.79	132.25	6.62
	65	67.18	3.22	78.03	3.78	88.93	4.36	103.50	5.19	117.88	6.08	132.25	7.15
	70	67.18	3.25	78.03	3.83	88.93	4.42	103.50	5.40	117.88	6.53	131.29	7.63
	75	67.18	3.34	78.03	4.05	88.93	4.81	103.50	5.93	117.88	7.19	128.42	8.11
	80	67.18	3.64	78.03	4.43	88.93	5.27	103.50	6.51	117.88	7.90	126.02	8.60
	85	67.18	3.97	78.03	4.84	88.93	5.76	103.50	7.13	117.64	8.62	123.63	9.08
	90	67.18	4.32	78.03	5.27	88.93	6.29	103.50	7.79	116.32	9.28	121.23	9.57
	95	67.18	4.69	78.03	5.73	88.93	6.85	103.50	8.51	115.00	9.94	117.88	10.07
	100	67.18	5.09	78.03	6.24	88.93	7.47	103.50	9.29	113.08	10.46	115.48	10.57
	105	67.18	5.58	78.03	6.84	88.93	8.21	103.50	10.23	110.37	11.06	112.76	11.18
	110	67.18	6.19	78.03	7.61	88.93	9.14	103.50	11.43	106.38	11.75	107.33	11.75
115	67.18	6.86	78.03	8.45	88.81	10.97	92.58	11.96	92.86	11.96	93.15	11.96	
118	67.18	7.27	76.32	8.77	77.26	10.12	79.61	10.90	79.86	10.90	80.11	10.90	
80%	25	59.70	2.38	69.41	2.75	79.09	3.13	92.00	3.68	104.94	4.26	117.88	4.85
	30	59.70	2.41	69.41	2.80	79.09	3.20	92.00	3.76	104.94	4.36	117.88	4.96
	35	59.70	2.47	69.41	2.86	79.09	3.27	92.00	3.85	104.94	4.46	117.88	5.09
	40	59.70	2.52	69.41	2.92	79.09	3.35	92.00	3.94	104.94	4.56	117.88	5.21
	45	59.70	2.57	69.41	2.99	79.09	3.42	92.00	4.04	104.94	4.68	117.88	5.35
	50	59.70	2.62	69.41	3.05	79.09	3.50	92.00	4.14	104.94	4.79	117.88	5.48
	55	59.70	2.68	69.41	3.13	79.09	3.59	92.00	4.24	104.94	4.92	117.88	5.63
	60	59.70	2.75	69.41	3.20	79.09	3.68	92.00	4.35	104.94	5.05	117.88	5.78
	65	59.70	2.85	69.41	3.33	79.09	3.84	92.00	4.53	104.94	5.27	117.88	6.06
	70	59.70	2.88	69.41	3.37	79.09	3.88	92.00	4.59	104.94	5.50	117.88	6.51
	75	59.70	2.95	69.41	3.50	79.09	4.11	92.00	5.03	104.94	6.05	117.88	7.17
	80	59.70	3.16	69.41	3.81	79.09	4.50	92.00	5.51	104.94	6.64	117.88	7.87
	85	59.70	3.44	69.41	4.15	79.09	4.91	92.00	6.03	104.94	7.27	117.88	8.64
	90	59.70	3.74	69.41	4.52	79.09	5.35	92.00	6.58	104.94	7.95	117.88	9.43
	95	59.70	4.05	69.41	4.90	79.09	5.82	92.00	7.18	104.94	8.68	115.96	9.98
	100	59.70	4.39	69.41	5.33	79.09	6.34	92.00	7.82	104.94	9.49	112.60	10.48
	105	59.70	4.79	69.41	5.83	79.09	6.95	92.00	8.60	104.94	10.43	110.53	11.08
	110	59.70	5.31	69.41	6.48	79.09	7.74	92.00	9.59	103.98	11.43	107.33	11.75
115	59.70	5.88	69.41	7.19	79.09	8.59	92.00	10.69	92.86	11.96	93.15	11.96	
118	59.70	6.24	69.41	7.62	77.26	8.90	79.61	9.81	79.86	10.90	80.11	10.90	

NOTE - Power Input = Compressor + Outdoor Fan Motor.  
MBH = 1000 BTUs per hour.



## COOLING CAPACITY - SINGLE MODULE - VRA120H4

Combination (%)	Outdoor Temperature °F (Dry Bulb)	Indoor Temperature - °F (Dry Bulb / Wet Bulb)											
		67 / 57		71 / 60		75 / 63		80 / 67		85 / 71		90 / 75	
		Total Cap.	Power Input	Total Cap.	Power Input	Total Cap.	Power Input	Total Cap.	Power Input	Total Cap.	Power Input	Total Cap.	Power Input
		MBH	kW	MBH	kW	MBH	kW	MBH	kW	MBH	kW	MBH	kW
70%	25	52.23	2.10	60.71	2.41	69.22	2.74	80.50	3.19	91.76	3.67	103.50	4.17
	30	52.23	2.14	60.71	2.46	69.22	2.79	80.50	3.26	91.76	3.76	103.50	4.27
	35	52.23	2.18	60.71	2.51	69.22	2.85	80.50	3.33	91.76	3.84	103.50	4.37
	40	52.23	2.22	60.71	2.56	69.22	2.91	80.50	3.41	91.76	3.93	103.50	4.48
	45	52.23	2.27	60.71	2.62	69.22	2.98	80.50	3.49	91.76	4.03	103.50	4.59
	50	52.23	2.31	60.71	2.67	69.22	3.05	80.50	3.57	91.76	4.12	103.50	4.70
	55	52.23	2.36	60.71	2.73	69.22	3.11	80.50	3.66	91.76	4.23	103.50	4.82
	60	52.23	2.41	60.71	2.79	69.22	3.19	80.50	3.75	91.76	4.34	103.50	4.95
	65	52.23	2.50	60.71	2.90	69.22	3.32	80.50	3.91	91.76	4.53	103.50	5.17
	70	52.23	2.52	60.71	2.93	69.22	3.36	80.50	3.95	91.76	4.59	103.50	5.37
	75	52.23	2.58	60.71	3.00	69.22	3.48	80.50	4.20	91.76	5.02	103.50	5.90
	80	52.23	2.71	60.71	3.23	69.22	3.79	80.50	4.60	91.76	5.50	103.50	6.47
	85	52.23	2.95	60.71	3.52	69.22	4.13	80.50	5.02	91.76	6.01	103.50	7.09
	90	52.23	3.20	60.71	3.82	69.22	4.49	80.50	5.47	91.76	6.56	103.50	7.75
	95	52.23	3.46	60.71	4.14	69.22	4.88	80.50	5.96	91.76	7.16	103.50	8.46
	100	52.23	3.74	60.71	4.49	69.22	5.30	80.50	6.48	91.76	7.80	103.50	9.23
	105	52.23	4.08	60.71	4.91	69.22	5.81	80.50	7.11	91.76	8.58	103.50	10.17
	110	52.23	4.52	60.71	5.45	69.22	6.45	80.50	7.92	91.76	9.56	103.50	11.33
115	52.23	4.99	60.71	6.03	69.22	7.15	80.50	8.80	90.95	11.06	93.15	11.96	
118	52.23	5.28	60.71	6.39	69.22	7.58	72.45	8.39	79.86	10.30	80.11	10.90	
60%	25	44.75	1.84	52.01	2.10	59.29	2.36	69.00	2.73	78.68	3.12	88.36	3.52
	30	44.75	1.87	52.01	2.14	59.29	2.41	69.00	2.78	78.68	3.18	88.36	3.60
	35	44.75	1.91	52.01	2.18	59.29	2.45	69.00	2.84	78.68	3.25	88.36	3.68
	40	44.75	1.95	52.01	2.22	59.29	2.50	69.00	2.90	78.68	3.32	88.36	3.77
	45	44.75	1.98	52.01	2.26	59.29	2.55	69.00	2.97	78.68	3.40	88.36	3.86
	50	44.75	2.02	52.01	2.31	59.29	2.61	69.00	3.04	78.68	3.48	88.36	3.95
	55	44.75	2.05	52.01	2.36	59.29	2.67	69.00	3.11	78.68	3.57	88.36	4.05
	60	44.75	2.10	52.01	2.41	59.29	2.73	69.00	3.18	78.68	3.66	88.36	4.16
	65	44.75	2.16	52.01	2.49	59.29	2.83	69.00	3.30	78.68	3.81	88.36	4.34
	70	44.75	2.19	52.01	2.52	59.29	2.86	69.00	3.34	78.68	3.86	88.36	4.38
	75	44.75	2.23	52.01	2.57	59.29	2.94	69.00	3.45	78.68	4.08	88.36	4.76
	80	44.75	2.31	52.01	2.71	59.29	3.14	69.00	3.77	78.68	4.46	88.36	5.22
	85	44.75	2.50	52.01	2.95	59.29	3.42	69.00	4.11	78.68	4.87	88.36	5.70
	90	44.75	2.70	52.01	3.19	59.29	3.72	69.00	4.47	78.68	5.31	88.36	6.22
	95	44.75	2.92	52.01	3.45	59.29	4.03	69.00	4.86	78.68	5.78	88.36	6.77
	100	44.75	3.15	52.01	3.73	59.29	4.36	69.00	5.27	78.68	6.28	88.36	7.39
	105	44.75	3.43	52.01	4.07	59.29	4.76	69.00	5.78	78.68	6.90	88.36	8.11
	110	44.75	3.78	52.01	4.50	59.29	5.28	69.00	6.41	78.68	7.67	88.36	9.05
115	44.75	4.16	52.01	4.98	59.29	5.84	69.00	7.11	78.68	8.53	88.36	10.07	
118	44.75	4.41	52.01	5.28	59.29	6.19	69.00	7.54	72.38	8.31	80.11	9.67	
50%	25	37.28	1.59	43.32	1.79	49.35	1.99	57.50	2.27	65.60	2.56	73.22	2.87
	30	37.28	1.61	43.32	1.82	49.35	2.03	57.50	2.31	65.60	2.60	73.22	2.93
	35	37.28	1.64	43.32	1.84	49.35	2.06	57.50	2.35	65.60	2.66	73.22	3.00
	40	37.28	1.67	43.32	1.87	49.35	2.09	57.50	2.39	65.60	2.71	73.22	3.06
	45	37.28	1.70	43.32	1.91	49.35	2.13	57.50	2.45	65.60	2.78	73.22	3.13
	50	37.28	1.74	43.32	1.94	49.35	2.17	57.50	2.51	65.60	2.84	73.22	3.20
	55	37.28	1.75	43.32	1.98	49.35	2.23	57.50	2.55	65.60	2.91	73.22	3.29
	60	37.28	1.79	43.32	2.02	49.35	2.27	57.50	2.61	65.60	2.98	73.22	3.37
	65	37.28	1.83	43.32	2.08	49.35	2.35	57.50	2.70	65.60	3.10	73.22	3.51
	70	37.28	1.86	43.32	2.10	49.35	2.36	57.50	2.74	65.60	3.12	73.22	3.40
	75	37.28	1.88	43.32	2.15	49.35	2.40	57.50	2.70	65.60	3.14	73.22	3.63
	80	37.28	1.91	43.32	2.19	49.35	2.50	57.50	2.94	65.60	3.43	73.22	3.96
	85	37.28	2.05	43.32	2.37	49.35	2.71	57.50	3.19	65.60	3.73	73.22	4.31
	90	37.28	2.20	43.32	2.56	49.35	2.94	57.50	3.46	65.60	4.06	73.22	4.69
	95	37.28	2.38	43.32	2.76	49.35	3.17	57.50	3.76	65.60	4.40	73.22	5.09
	100	37.28	2.56	43.32	2.97	49.35	3.42	57.50	4.06	65.60	4.77	73.22	5.54
	105	37.28	2.77	43.32	3.23	49.35	3.72	57.50	4.44	65.60	5.22	73.22	6.06
	110	37.28	3.04	43.32	3.55	49.35	4.11	57.50	4.91	65.60	5.78	73.22	6.77
115	37.28	3.33	43.32	3.93	49.35	4.54	57.50	5.43	65.60	5.99	73.22	8.17	
118	37.28	3.53	43.32	4.17	49.35	4.81	57.50	5.76	65.60	6.35	73.22	8.66	

NOTE - Power Input = Compressor + Outdoor Fan Motor.  
MBH = 1000 BTUs per hour.



# HEATING CAPACITY - SINGLE MODULE - VRA120H4

Combination (%)	Outdoor Temperature (°F)		Indoor Temperature - °F Dry Bulb											
			61		64		67		70		73		75	
	Dry Bulb	Wet Bulb	Total Cap. MBH	Power Input kW	Total Cap. MBH	Power Input kW	Total Cap. MBH	Power Input kW	Total Cap. MBH	Power Input kW	Total Cap. MBH	Power Input kW	Total Cap. MBH	Power Input kW
130%	-13	-13	51.59	6.63	51.36	6.94	51.29	7.16	51.18	7.44	50.98	7.69	50.98	7.85
	-8	-9	59.62	7.60	59.35	7.87	59.26	8.09	59.14	8.35	58.91	8.56	58.91	8.71
	-3	-4	69.24	8.86	68.93	9.11	68.82	9.31	68.68	9.53	68.41	9.72	68.41	9.84
	2	1	75.84	9.90	75.52	10.09	75.26	10.28	74.98	10.44	74.91	10.57	74.76	10.66
	7	6	82.30	10.93	81.97	11.08	81.67	11.21	81.58	11.32	81.32	11.41	81.14	11.46
	12	10	88.89	11.91	88.55	11.99	88.22	12.06	88.11	12.09	87.88	12.13	87.66	12.15
	17	15	98.38	12.51	98.03	12.51	97.91	12.51	97.44	12.52	97.28	12.52	96.97	12.52
	22	20	101.68	12.20	101.33	12.20	101.22	12.21	100.76	12.21	100.60	12.21	100.30	12.21
	27	24	109.04	11.95	108.95	11.95	108.69	11.95	108.46	11.95	108.08	11.96	108.00	11.96
	32	29	115.40	11.42	115.20	11.43	115.01	11.43	114.67	11.43	114.40	11.43	114.22	11.44
	37	34	123.28	11.13	123.11	11.13	122.90	11.13	122.59	11.14	122.29	11.14	122.13	11.14
	42	38	133.65	10.84	133.51	10.85	133.28	10.85	129.94	10.85	129.61	10.85	129.48	10.64
	47	43	145.66	10.44	142.35	10.44	139.05	10.44	135.75	10.44	133.77	10.44	132.85	10.23
	52	47	151.51	10.18	148.21	10.18	144.91	10.18	141.60	10.18	139.69	10.08	136.10	9.88
	57	52	158.83	9.90	155.53	9.90	152.22	9.91	148.92	9.91	143.67	9.71	137.86	9.41
62	56	164.68	9.74	161.38	9.55	158.08	9.55	154.78	9.56	145.12	9.21	137.86	8.85	
67	61	168.69	9.56	165.45	9.37	162.21	9.19	155.86	9.19	145.12	8.70	137.86	8.36	
72	66	172.42	9.50	169.24	9.21	166.07	9.02	156.00	8.84	145.12	8.29	137.86	7.81	
75	69	176.64	9.45	173.46	9.07	170.29	8.79	156.09	8.40	145.12	7.72	137.86	7.28	
120%	-13	-13	51.29	7.17	51.29	7.33	51.08	7.54	50.98	7.77	50.80	7.99	50.67	8.13
	-8	-9	59.26	8.08	59.26	8.24	59.03	8.43	58.91	8.65	58.70	8.84	58.55	8.97
	-3	-4	68.82	9.27	68.82	9.43	68.55	9.60	68.41	9.81	68.17	9.97	67.99	10.08
	2	1	75.41	10.21	75.24	10.35	74.90	10.48	74.76	10.67	74.48	10.78	74.33	10.86
	7	6	81.86	11.17	81.65	11.25	81.29	11.35	81.14	11.50	80.99	11.56	80.70	11.62
	12	10	88.44	12.05	88.20	12.08	88.03	12.11	87.66	12.20	87.51	12.23	87.21	12.25
	17	15	97.91	12.51	97.56	12.51	97.44	12.52	96.97	12.52	96.97	12.52	96.97	12.52
	22	20	101.22	12.20	100.87	12.21	100.76	12.21	100.30	12.21	100.30	12.22	100.30	12.22
	27	24	108.58	11.95	108.49	11.95	108.23	11.96	108.00	11.96	107.88	11.96	107.65	11.96
	32	29	114.95	11.43	114.74	11.43	114.55	11.43	114.22	11.43	114.15	11.44	114.03	11.44
	37	34	119.24	10.91	119.08	10.92	118.87	10.92	118.80	10.92	119.48	10.92	119.33	10.92
	42	38	129.23	10.43	126.57	10.43	126.34	10.43	126.26	10.43	123.17	10.44	123.00	10.44
	47	43	139.90	9.85	136.88	9.85	133.86	9.85	130.84	9.85	127.82	9.85	125.81	9.85
	52	47	145.69	9.79	142.67	9.79	139.66	9.79	136.64	9.79	132.28	9.79	127.26	9.73
	57	52	151.47	9.71	147.01	9.71	144.05	9.71	141.09	9.71	133.95	9.38	127.26	8.83
62	56	157.20	9.65	152.69	9.65	148.25	9.65	144.00	9.51	133.95	8.73	127.26	8.22	
67	61	162.76	9.57	158.22	9.58	154.05	9.45	144.00	8.72	133.95	8.02	127.26	7.56	
72	66	168.19	9.50	164.09	9.39	154.05	8.71	144.00	8.05	133.95	7.41	127.26	7.00	
75	69	172.41	9.45	167.62	9.27	154.05	8.27	144.00	7.65	133.95	7.05	127.26	6.66	
110%	-13	-13	50.98	7.47	50.98	7.73	50.77	7.90	50.67	8.11	50.57	8.25	50.36	8.35
	-8	-9	58.91	8.37	58.91	8.60	58.67	8.76	58.55	8.95	58.43	9.09	58.19	9.17
	-3	-4	68.41	9.56	68.41	9.75	68.13	9.89	67.99	10.06	67.86	10.19	67.58	10.26
	2	1	74.98	10.46	74.81	10.60	74.62	10.71	74.33	10.83	74.26	10.96	74.12	11.00
	7	6	81.42	11.33	81.21	11.43	81.03	11.51	80.70	11.59	80.64	11.68	80.53	11.69
	12	10	87.99	12.09	87.74	12.17	87.58	12.21	87.53	12.23	87.17	12.29	87.08	12.27
	17	15	97.44	12.51	97.44	12.52	97.12	12.52	96.97	12.52	96.49	12.53	96.49	12.53
	22	20	100.76	12.21	100.41	12.21	100.30	12.21	100.30	12.22	99.84	12.22	99.84	12.15
	27	24	108.46	11.95	108.20	11.96	108.04	11.96	107.65	11.96	107.42	11.96	107.19	11.83
	32	29	114.67	11.43	114.54	11.43	114.31	11.43	114.03	11.44	113.76	11.44	113.76	11.25
	37	34	119.02	10.92	118.85	10.92	118.65	10.92	118.35	10.92	117.91	10.92	116.65	10.68
	42	38	123.26	10.43	123.07	10.43	122.89	10.43	122.57	10.44	119.75	10.44	116.65	10.15
	47	43	131.53	9.85	128.85	9.85	128.74	9.85	126.00	9.85	122.79	9.85	116.65	9.52
	52	47	137.22	9.79	134.53	9.79	131.84	9.79	129.16	9.79	122.79	9.32	116.65	8.78
	57	52	144.25	9.71	141.57	9.71	138.88	9.71	132.00	9.22	122.79	8.47	116.65	7.99
62	56	149.88	9.65	147.19	9.65	141.21	9.29	132.00	8.58	122.79	7.89	116.65	7.45	
67	61	156.92	9.58	150.42	9.18	141.21	8.53	132.00	7.89	122.79	7.27	116.65	6.86	
72	66	159.63	9.08	150.42	8.47	141.21	7.87	132.00	7.29	122.79	6.73	116.65	6.36	
75	69	161.25	8.79	150.42	8.04	141.21	7.48	132.00	6.94	122.79	6.40	116.65	6.06	

NOTE - Power Input = Compressor + Outdoor Fan Motor.  
MBH = 1000 BTUs per hour.

# HEATING CAPACITY - SINGLE MODULE - VRA120H4

Combination (%)	Outdoor Temperature (°F)		Indoor Temperature - °F Dry Bulb											
			61		64		67		70		73		75	
	Dry Bulb	Wet Bulb	Total Cap. MBH	Power Input kW	Total Cap. MBH	Power Input kW	Total Cap. MBH	Power Input kW	Total Cap. MBH	Power Input kW	Total Cap. MBH	Power Input kW	Total Cap. MBH	Power Input kW
100%	-13	-13	50.87	7.90	50.72	8.07	50.67	8.22	50.36	8.38	50.36	8.70	50.36	8.96
	-8	-9	58.78	8.77	58.61	8.91	58.55	9.04	58.19	9.20	58.19	9.52	58.19	9.80
	-3	-4	68.26	9.91	68.06	10.02	67.99	10.13	67.58	10.29	67.58	10.60	67.58	10.91
	2	1	74.55	10.73	74.38	10.81	74.33	10.88	74.12	11.02	73.89	11.32	73.89	11.65
	7	6	81.14	11.52	80.81	11.58	80.70	11.63	80.53	11.74	80.25	12.02	80.25	12.37
	12	10	87.66	12.21	87.56	12.23	87.32	12.25	87.08	12.32	86.97	12.59	86.76	12.96
	17	15	96.96	12.52	96.96	12.52	96.65	12.52	96.49	12.53	96.33	12.78	96.02	13.03
	22	20	100.30	12.21	100.30	12.21	99.99	12.22	99.84	12.22	99.68	12.30	99.38	12.31
	27	24	108.00	11.96	107.74	11.96	107.58	11.96	107.19	11.96	107.15	11.64	103.93	11.67
	32	29	114.22	11.78	114.08	11.66	113.85	11.44	113.76	11.44	110.51	10.98	106.05	10.68
	37	34	118.58	11.47	118.41	11.36	118.21	11.14	117.46	10.92	111.63	10.33	106.05	9.95
	42	38	125.14	11.16	124.94	10.96	123.00	10.64	118.89	10.43	111.63	9.73	106.05	9.27
	47	43	130.63	10.74	130.29	10.54	126.14	10.25	120.00	9.85	111.63	9.04	106.05	8.52
	52	47	137.07	10.49	133.15	10.19	128.10	9.79	120.00	9.25	111.63	8.51	106.05	8.02
	57	52	142.82	10.11	136.74	9.61	128.37	9.10	120.00	8.41	111.63	7.75	106.05	7.31
	62	56	145.12	9.59	136.74	8.94	128.37	8.31	120.00	7.69	111.63	7.09	106.05	6.69
	67	61	145.12	8.80	136.74	8.21	128.37	7.64	120.00	7.08	111.63	6.54	106.05	6.18
	72	66	145.12	8.13	136.74	7.59	128.37	7.07	120.00	6.56	111.63	6.06	106.05	5.74
	75	69	145.12	7.72	136.74	7.22	128.37	6.72	120.00	6.24	111.63	5.78	106.05	5.47
	90%	-13	-13	50.16	8.70	49.93	8.87	49.86	9.04	49.86	9.22	49.55	9.38	49.55
-8		-9	57.96	9.64	57.70	9.80	57.61	9.94	57.61	10.12	57.26	10.26	57.26	10.78
-3		-4	65.97	10.90	65.67	11.03	65.57	11.14	65.57	11.32	65.16	11.43	65.16	11.76
2		1	72.31	11.80	72.17	11.89	71.97	11.97	71.90	12.13	71.62	12.21	71.48	12.43
7		6	77.73	12.62	77.61	12.62	77.40	12.62	77.31	12.63	77.06	12.63	76.88	12.63
12		10	84.03	12.77	83.94	12.77	83.70	12.78	83.60	12.78	83.37	12.78	83.16	12.78
17		15	94.06	12.77	94.06	12.78	94.06	12.78	93.60	12.78	93.60	12.78	93.60	12.78
22		20	95.14	12.22	95.14	12.22	94.85	12.13	94.71	11.99	95.21	11.85	93.51	11.76
27		24	103.04	11.96	100.78	11.96	100.70	11.79	100.59	11.51	98.46	11.24	95.44	11.06
32		29	110.90	11.44	108.59	11.44	106.89	11.19	105.84	10.78	100.47	10.39	95.44	10.13
37		34	118.00	10.92	115.34	10.92	112.20	10.60	108.00	10.08	100.47	9.58	95.44	9.25
42		38	124.00	10.44	119.33	10.44	113.93	10.05	108.00	9.43	100.47	8.81	95.44	8.42
47		43	126.98	10.15	120.92	9.85	115.53	9.42	108.00	8.70	100.47	8.00	95.44	7.55
52		47	128.75	9.79	123.07	9.35	115.53	8.68	108.00	8.03	100.47	7.40	95.44	6.98
57		52	130.60	9.11	123.07	8.49	115.53	7.90	108.00	7.32	100.47	6.75	95.44	6.38
62		56	130.60	8.47	123.07	7.91	115.53	7.36	108.00	6.83	100.47	6.31	95.44	5.97
67		61	130.60	7.79	123.07	7.28	115.53	6.79	108.00	6.30	100.47	5.83	95.44	5.52
72		66	130.60	7.21	123.07	6.74	115.53	6.29	108.00	5.85	100.47	5.42	95.44	5.14
75		69	130.60	6.85	123.07	6.42	115.53	5.99	108.00	5.58	100.47	5.17	95.44	4.90
80%		-13	-13	49.66	9.56	49.43	9.76	49.36	9.94	49.36	10.14	49.26	10.32	49.05
	-8	-9	57.39	10.61	57.12	10.78	57.03	10.94	57.03	11.13	56.92	11.29	56.68	11.63
	-3	-4	65.31	11.99	65.01	12.13	64.91	12.26	64.91	12.45	64.78	12.57	64.51	12.73
	2	1	71.55	12.59	71.40	12.69	71.21	12.77	71.13	12.94	71.07	13.02	70.94	13.18
	7	6	77.61	13.00	77.49	13.01	77.27	13.01	77.18	13.01	77.13	13.02	77.02	13.15
	12	10	84.00	13.03	83.91	13.03	83.88	13.04	83.56	13.04	83.52	13.04	83.44	13.04
	17	15	94.98	12.78	92.78	12.78	92.66	12.78	92.66	12.78	91.29	12.79	84.84	12.79
	22	20	98.84	12.14	96.02	12.02	94.14	11.89	93.70	11.77	88.91	11.66	84.84	11.58
	27	24	105.40	11.81	102.75	11.56	98.54	11.32	96.00	11.08	89.30	10.85	84.84	10.70
	32	29	109.60	11.22	106.07	10.86	101.33	10.50	96.00	10.16	89.30	9.82	84.84	9.60
	37	34	112.00	10.64	106.67	10.18	101.33	9.72	96.00	9.28	89.30	8.85	84.84	8.57
	42	38	112.00	10.10	106.67	9.54	101.33	8.99	96.00	8.46	89.30	7.94	84.84	7.61
	47	43	112.00	9.47	106.67	8.83	101.33	8.21	96.00	7.60	89.30	7.01	84.84	6.62
	52	47	112.00	8.73	106.67	8.15	101.33	7.58	96.00	7.03	89.30	6.49	84.84	6.14
	57	52	112.00	7.94	106.67	7.42	101.33	6.92	96.00	6.42	89.30	5.94	84.84	5.63
	62	56	112.00	7.40	106.67	6.93	101.33	6.46	96.00	6.01	89.30	5.56	84.84	5.27
	67	61	112.00	6.82	106.67	6.39	101.33	5.97	96.00	5.56	89.30	5.15	84.84	4.89
	72	66	112.00	6.32	106.67	5.93	101.33	5.54	96.00	5.17	89.30	4.80	84.84	4.56
	75	69	112.00	6.02	106.67	5.65	101.33	5.29	96.00	4.93	89.30	4.58	84.84	4.36

NOTE - Power Input = Compressor + Outdoor Fan Motor.  
 MBH = 1000 BTUs per hour.

# HEATING CAPACITY - SINGLE MODULE - VRA120H4

Combination (%)	Outdoor Temperature (°F)		Indoor Temperature - °F Dry Bulb											
			61		64		67		70		73		75	
	Dry Bulb	Wet Bulb	Total Cap. MBH	Power Input kW	Total Cap. MBH	Power Input kW	Total Cap. MBH	Power Input kW	Total Cap. MBH	Power Input kW	Total Cap. MBH	Power Input kW	Total Cap. MBH	Power Input kW
70%	-13	-13	49.17	10.60	49.17	10.61	48.96	10.61	48.86	10.62	48.86	10.62	48.86	10.63
	-8	-9	56.82	11.17	56.82	11.18	56.58	11.18	56.46	11.19	56.46	11.19	56.46	11.20
	-3	-4	64.66	12.00	64.66	12.00	64.39	12.00	64.26	12.01	64.26	12.01	64.26	12.02
	2	1	70.84	12.57	70.84	12.58	70.71	12.58	70.42	12.58	70.13	12.59	70.25	12.59
	7	6	76.84	13.01	76.84	13.01	76.73	13.01	76.41	13.02	75.20	13.02	74.23	13.02
	12	10	84.11	13.04	84.11	13.04	84.03	13.04	82.73	13.04	78.14	13.04	74.23	13.05
	17	15	90.22	12.78	89.89	12.78	88.00	12.79	84.00	12.79	78.14	12.79	74.23	12.79
	22	20	96.00	11.87	92.67	11.77	88.59	11.67	84.00	11.57	78.14	11.47	74.23	11.41
	27	24	97.78	11.28	93.11	11.07	88.59	10.87	84.00	10.67	78.14	10.47	74.23	10.35
	32	29	97.78	10.45	93.11	10.14	88.59	9.85	84.00	9.56	78.14	9.28	74.23	9.10
	37	34	97.78	9.65	93.11	9.26	88.59	8.89	84.00	8.52	78.14	8.16	74.23	7.93
	42	38	97.78	8.90	93.11	8.44	88.59	7.99	84.00	7.54	78.14	7.11	74.23	6.83
	47	43	97.78	8.10	93.11	7.58	88.59	7.06	84.00	6.55	78.14	6.06	74.23	5.74
	52	47	97.78	7.49	93.11	7.01	88.59	6.54	84.00	6.08	78.14	5.63	74.23	5.33
	57	52	97.78	6.83	93.11	6.40	88.59	5.98	84.00	5.57	78.14	5.17	74.23	4.90
	62	56	97.78	6.39	93.11	5.99	88.59	5.60	84.00	5.22	78.14	4.85	74.23	4.60
	67	61	97.78	5.90	93.11	5.54	88.59	5.19	84.00	4.84	78.14	4.50	74.23	4.28
	72	66	97.78	5.48	93.11	5.15	88.59	4.83	84.00	4.51	78.14	4.20	74.23	4.00
75	69	97.78	5.23	93.11	4.92	88.59	4.61	84.00	4.31	78.14	4.02	74.23	3.83	
60%	-13	-13	48.18	10.62	48.18	10.62	47.99	10.62	47.89	10.63	47.89	10.63	47.89	10.64
	-8	-9	53.53	11.19	52.97	11.19	52.24	11.19	51.59	11.20	50.99	11.20	50.77	11.21
	-3	-4	61.58	12.01	60.36	12.01	59.00	12.01	57.72	12.02	56.41	12.02	55.93	12.02
	2	1	70.51	12.58	68.54	12.58	66.46	12.59	64.44	12.59	62.32	12.59	61.54	12.59
	7	6	77.64	13.02	75.68	13.02	73.57	13.02	70.75	13.02	65.64	13.02	63.63	13.03
	12	10	80.72	13.04	78.93	13.04	75.46	13.05	72.00	13.05	66.98	13.05	63.63	13.05
	17	15	82.32	12.79	80.00	12.79	76.00	12.79	72.00	12.79	66.98	12.79	63.63	12.61
	22	20	83.87	11.62	80.66	11.53	76.63	11.45	72.00	11.37	66.98	11.29	63.63	11.09
	27	24	85.13	10.77	81.08	10.60	77.02	10.44	72.00	10.28	66.98	10.12	63.63	9.90
	32	29	85.13	9.71	81.08	9.47	77.02	9.23	72.00	9.00	66.98	8.77	63.63	8.54
	37	34	85.13	8.71	81.08	8.40	77.02	8.09	72.00	7.79	66.98	7.50	63.63	7.26
	42	38	85.13	7.77	81.08	7.40	77.02	7.03	72.00	6.67	66.98	6.32	63.63	6.06
	47	43	87.07	7.09	82.05	6.64	77.02	6.21	72.00	5.78	66.98	5.36	63.63	5.09
	52	47	87.07	6.32	82.05	5.93	77.02	5.54	72.00	5.17	66.98	4.80	63.63	4.56
	57	52	87.07	5.78	82.05	5.43	77.02	5.09	72.00	4.75	66.98	4.42	63.63	4.21
	62	56	87.07	5.42	82.05	5.09	77.02	4.78	72.00	4.47	66.98	4.16	63.63	3.96
	67	61	87.07	5.02	82.05	4.73	77.02	4.44	72.00	4.15	66.98	3.87	63.63	3.69
	72	66	87.07	4.68	82.05	4.41	77.02	4.14	72.00	3.88	66.98	3.63	63.63	3.46
75	69	87.07	4.47	82.05	4.22	77.02	3.97	72.00	3.72	66.98	3.48	63.63	3.32	
50%	-13	-13	47.22	10.63	47.22	10.63	47.03	10.64	46.93	10.64	46.88	10.65	46.54	10.65
	-8	-9	51.49	11.20	50.88	11.20	50.10	11.20	49.41	11.21	48.76	11.21	46.32	11.21
	-3	-4	58.24	12.02	56.92	12.02	55.46	12.02	54.07	12.03	52.72	12.03	50.08	12.03
	2	1	65.69	12.59	63.56	12.59	61.30	12.59	59.11	12.60	55.81	12.60	53.02	12.60
	7	6	68.69	13.02	65.83	13.02	62.90	13.03	60.00	13.03	55.81	13.03	53.02	13.03
	12	10	70.65	13.05	67.12	13.05	63.55	13.05	60.00	13.05	55.81	12.79	53.02	12.39
	17	15	72.56	12.92	68.37	12.79	64.19	12.61	60.00	12.00	55.81	11.58	53.02	10.92
	22	20	72.56	11.61	68.37	11.42	64.19	11.20	60.00	10.56	55.81	9.72	53.02	9.18
	27	24	72.56	10.29	68.37	10.16	64.19	9.80	60.00	9.25	55.81	8.53	53.02	8.06
	32	29	72.56	9.02	68.37	8.83	64.19	8.45	60.00	7.99	55.81	7.38	53.02	6.98
	37	34	72.56	7.83	68.37	7.58	64.19	7.18	60.00	6.80	55.81	6.30	53.02	5.96
	42	38	72.56	6.71	68.37	6.42	64.19	6.12	60.00	5.70	55.81	5.29	53.02	5.02
	47	43	72.56	5.88	68.37	5.53	64.19	5.19	60.00	4.85	55.81	4.51	53.02	4.30
	52	47	72.56	5.21	68.37	4.90	64.19	4.60	60.00	4.31	55.81	4.02	53.02	3.83
	57	52	72.56	4.79	68.37	4.51	64.19	4.24	60.00	3.98	55.81	3.71	53.02	3.54
	62	56	72.56	4.50	68.37	4.24	64.19	3.99	60.00	3.75	55.81	3.50	53.02	3.34
	67	61	72.56	4.18	68.37	3.95	64.19	3.72	60.00	3.50	55.81	3.27	53.02	3.13
	72	66	72.56	3.91	68.37	3.70	64.19	3.49	60.00	3.28	55.81	3.07	53.02	2.94
75	69	72.56	3.75	68.37	3.54	64.19	3.34	60.00	3.15	55.81	2.95	53.02	2.83	

NOTE - Power Input = Compressor + Outdoor Fan Motor.  
 MBH = 1000 BTUs per hour.

## COOLING CAPACITY - SINGLE MODULE - VRA144H4

Combination (%)	Outdoor Temperature °F (Dry Bulb)	Indoor Temperature - °F (Dry Bulb / Wet Bulb)											
		67 / 57		71 / 60		75 / 63		80 / 67		85 / 71		90 / 75	
		Total Cap.	Power Input	Total Cap.	Power Input	Total Cap.	Power Input	Total Cap.	Power Input	Total Cap.	Power Input	Total Cap.	Power Input
		MBH	kW	MBH	kW	MBH	kW	MBH	kW	MBH	kW	MBH	kW
130%	25	116.15	4.99	135.13	5.89	154.10	6.86	179.40	8.18	194.19	8.65	198.79	8.28
	30	116.15	5.10	135.13	6.05	154.10	7.03	179.40	8.35	190.90	8.61	195.50	8.23
	35	116.15	5.22	135.13	6.19	154.10	7.19	179.40	8.55	187.74	8.54	192.63	8.18
	40	116.15	5.34	135.13	6.33	154.10	7.36	179.40	8.76	184.58	8.47	189.75	8.12
	45	116.15	5.47	135.13	6.49	154.10	7.55	176.53	8.73	181.56	8.39	186.59	8.03
	50	116.15	5.61	135.13	6.66	154.10	7.75	173.65	8.70	178.54	8.32	183.43	7.94
	55	116.15	5.75	135.13	6.85	154.10	7.96	170.78	8.63	175.38	8.31	179.98	8.13
	60	116.15	5.90	135.13	7.01	154.10	8.17	167.61	8.73	172.36	8.69	177.10	8.79
	65	116.15	6.13	135.13	7.37	154.10	8.76	162.29	9.45	167.18	9.68	172.07	9.80
	70	116.15	6.31	135.13	7.84	152.18	9.28	161.58	9.81	166.18	9.96	170.78	10.04
	75	116.15	6.89	135.13	8.60	150.27	9.99	158.13	10.45	162.73	10.60	167.90	10.69
	80	116.15	7.61	135.13	9.45	148.25	10.68	155.11	11.09	159.85	11.20	164.45	11.34
	85	116.15	8.29	135.13	10.35	146.05	11.43	151.80	11.71	156.69	11.85	161.58	12.00
	90	116.15	9.07	135.13	11.31	144.13	12.18	148.93	12.37	153.53	12.51	158.27	12.66
	95	116.15	9.87	132.97	12.01	140.88	12.81	145.48	12.96	150.36	13.14	151.23	13.20
	100	116.15	10.82	130.70	12.74	137.95	13.46	142.03	13.61	143.46	13.65	143.46	13.65
	105	116.15	11.89	128.23	13.57	134.17	14.21	135.51	14.27	136.08	14.27	136.08	14.27
	110	116.15	13.26	125.21	14.61	128.23	15.07	128.23	15.07	128.23	15.07	128.23	15.07
115	110.40	15.18	110.40	15.18	110.78	15.22	110.98	15.24	111.55	15.27	111.55	15.30	
118	94.94	13.84	94.94	13.84	95.27	13.88	95.44	13.89	95.93	13.92	95.93	13.95	
120%	25	107.53	4.57	124.78	5.40	142.41	6.26	165.60	7.42	187.66	8.58	195.50	8.55
	30	107.53	4.67	124.78	5.52	142.41	6.41	165.60	7.59	186.01	8.64	192.63	8.47
	35	107.53	4.78	124.78	5.65	142.41	6.55	165.60	7.80	183.86	8.66	189.46	8.41
	40	107.53	4.89	124.78	5.78	142.41	6.70	165.60	8.00	181.70	8.67	186.30	8.35
	45	107.53	5.01	124.78	5.94	142.41	6.89	165.60	8.20	178.54	8.61	183.14	8.29
	50	107.53	5.13	124.78	6.10	142.41	7.09	165.60	8.41	175.38	8.55	179.98	8.23
	55	107.53	5.26	124.78	6.24	142.41	7.24	165.60	8.63	172.50	8.50	176.96	8.25
	60	107.53	5.39	124.78	6.41	142.41	7.45	164.74	8.79	169.34	8.69	173.65	8.73
	65	107.53	5.62	124.78	6.69	142.41	7.87	160.43	9.21	164.02	9.53	169.05	9.74
	70	107.53	5.69	124.78	6.98	142.41	8.43	158.70	9.75	163.30	9.90	167.33	9.99
	75	107.53	6.19	124.78	7.68	142.41	9.27	155.83	10.39	159.85	10.48	164.45	10.63
	80	107.53	6.79	124.78	8.43	142.22	10.17	152.38	11.04	156.90	11.14	161.00	11.23
	85	107.53	7.45	124.78	9.22	140.88	10.98	149.50	11.65	153.67	11.77	158.13	11.88
	90	107.53	8.10	124.78	10.07	138.96	11.70	146.19	12.26	150.65	12.39	154.82	12.54
	95	107.53	8.82	124.78	11.01	136.66	12.44	143.18	12.91	147.49	13.05	151.23	13.20
	100	107.53	9.62	124.78	12.03	134.74	13.23	140.16	13.55	143.03	13.65	143.46	13.65
	105	107.53	10.57	124.49	13.14	132.44	14.11	135.32	14.25	136.08	14.27	136.08	14.27
	110	107.53	11.80	122.19	14.25	127.84	15.07	128.23	15.07	128.23	15.07	128.23	15.07
115	107.53	13.14	109.68	14.67	110.78	15.22	110.98	15.24	111.55	15.27	111.55	15.30	
118	94.94	12.30	94.94	13.46	95.27	13.88	95.44	13.89	95.93	13.92	95.93	13.95	
110%	25	98.33	4.16	114.28	4.90	130.33	5.68	151.80	6.72	173.08	7.83	192.05	8.78
	30	98.33	4.25	114.28	5.01	130.33	5.80	151.80	6.89	173.08	8.00	189.18	8.70
	35	98.33	4.35	114.28	5.13	130.33	5.94	151.80	7.07	173.08	8.20	186.01	8.64
	40	98.33	4.44	114.28	5.25	130.33	6.08	151.80	7.24	173.08	8.41	182.85	8.58
	45	98.33	4.55	114.28	5.38	130.33	6.22	151.80	7.42	171.93	8.51	179.69	8.53
	50	98.33	4.66	114.28	5.51	130.33	6.37	151.80	7.59	170.78	8.61	176.53	8.47
	55	98.33	4.78	114.28	5.64	130.33	6.55	151.80	7.81	169.12	8.71	173.51	8.41
	60	98.33	4.90	114.28	5.80	130.33	6.73	151.80	8.03	166.32	8.77	170.20	8.64
	65	98.33	5.10	114.28	6.08	130.33	7.06	151.80	8.55	161.36	9.26	165.60	9.62
	70	98.33	5.16	114.28	6.20	130.33	7.40	151.80	9.23	160.14	9.81	163.88	9.93
	75	98.33	5.51	114.28	6.77	130.33	8.16	151.80	10.16	156.98	10.42	161.00	10.51
	80	98.33	6.01	114.28	7.44	130.33	8.94	150.08	10.93	154.03	11.07	157.98	11.17
	85	98.33	6.60	114.28	8.13	130.33	9.79	146.91	11.56	150.79	11.68	154.68	11.80
	90	98.33	7.18	114.28	8.89	130.33	10.73	143.75	12.19	147.78	12.34	151.80	12.42
	95	98.33	7.82	114.28	9.71	130.33	11.74	140.30	12.79	144.61	12.93	148.35	13.08
	100	98.33	8.50	114.28	10.55	129.57	12.63	137.43	13.45	141.23	13.58	143.46	13.65
	105	98.33	9.32	114.28	11.63	127.39	13.54	134.55	14.23	135.99	14.27	136.08	14.27
	110	98.33	10.39	114.28	12.98	125.35	14.66	128.23	15.07	128.23	15.07	128.23	15.07
115	98.33	11.56	107.38	14.28	110.78	15.22	110.98	15.24	111.55	15.27	111.55	15.30	
118	94.94	11.83	94.94	13.38	95.27	13.88	95.44	13.89	95.93	13.92	95.93	13.95	

NOTE - Power Input = Compressor + Outdoor Fan Motor.  
MBH = 1000 BTUs per hour.

## COOLING CAPACITY - SINGLE MODULE - VRA144H4

Combination (%)	Outdoor Temperature °F (Dry Bulb)	Indoor Temperature - °F (Dry Bulb / Wet Bulb)											
		67 / 57		71 / 60		75 / 63		80 / 67		85 / 71		90 / 75	
		Total Cap.	Power Input	Total Cap.	Power Input	Total Cap.	Power Input	Total Cap.	Power Input	Total Cap.	Power Input	Total Cap.	Power Input
		MBH	kW	MBH	kW	MBH	kW	MBH	kW	MBH	kW	MBH	kW
100%	25	89.70	3.77	103.93	4.42	118.64	5.09	138.00	6.02	157.26	7.02	176.53	8.03
	30	89.70	3.85	103.93	4.51	118.64	5.21	138.00	6.19	157.26	7.18	176.53	8.23
	35	89.70	3.93	103.93	4.62	118.64	5.33	138.00	6.34	157.26	7.36	176.53	8.44
	40	89.70	4.02	103.93	4.72	118.64	5.46	138.00	6.48	157.26	7.53	176.53	8.64
	45	89.70	4.11	103.93	4.84	118.64	5.60	138.00	6.66	157.26	7.74	174.80	8.70
	50	89.70	4.21	103.93	4.95	118.64	5.74	138.00	6.83	157.26	7.94	173.08	8.76
	55	89.70	4.31	103.93	5.08	118.64	5.89	138.00	6.99	157.26	8.16	170.20	8.69
	60	89.70	4.42	103.93	5.21	118.64	6.03	138.00	7.18	157.26	8.38	167.04	8.73
	65	89.70	4.60	103.93	5.43	118.64	6.29	138.00	7.46	156.62	8.95	161.72	9.34
	70	89.70	4.65	103.93	5.50	118.64	6.48	138.00	8.00	155.25	9.52	161.00	9.81
	75	89.70	4.87	103.93	5.95	118.64	7.12	138.00	8.82	153.81	10.34	157.55	10.45
	80	89.70	5.32	103.93	6.51	118.64	7.81	138.00	9.71	150.94	10.96	154.68	11.05
	85	89.70	5.81	103.93	7.12	118.64	8.54	138.00	10.66	147.92	11.59	151.51	11.71
	90	89.70	6.32	103.93	7.78	118.64	9.33	138.00	11.65	144.68	12.22	148.35	12.32
	95	89.70	6.89	103.93	8.47	118.64	10.20	138.00	12.73	141.74	12.88	145.48	12.96
	100	89.70	7.49	103.93	9.23	118.64	11.11	134.98	13.37	138.50	13.47	141.74	13.61
	105	89.70	8.19	103.93	10.15	118.64	12.24	131.68	14.11	135.03	14.24	136.08	14.27
	110	89.70	9.11	103.93	11.30	118.64	13.66	128.23	15.07	128.23	15.07	128.23	15.07
115	89.70	10.10	103.93	12.55	110.21	14.62	110.98	15.24	111.55	15.27	111.55	15.30	
118	89.70	10.71	91.46	11.71	95.27	13.40	95.44	13.89	95.93	13.92	95.93	13.95	
90%	25	80.50	3.40	93.44	3.96	106.57	4.54	124.20	5.36	141.74	6.22	159.28	7.13
	30	80.50	3.46	93.44	4.04	106.57	4.64	124.20	5.48	141.74	6.37	159.28	7.30
	35	80.50	3.54	93.44	4.13	106.57	4.75	124.20	5.61	141.74	6.51	159.28	7.47
	40	80.50	3.61	93.44	4.22	106.57	4.85	124.20	5.74	141.74	6.66	159.28	7.65
	45	80.50	3.69	93.44	4.32	106.57	4.97	124.20	5.88	141.74	6.83	159.28	7.82
	50	80.50	3.77	93.44	4.42	106.57	5.09	124.20	6.01	141.74	7.01	159.28	8.00
	55	80.50	3.86	93.44	4.53	106.57	5.22	124.20	6.18	141.74	7.20	159.28	8.22
	60	80.50	3.95	93.44	4.64	106.57	5.36	124.20	6.37	141.74	7.40	159.28	8.44
	65	80.50	4.11	93.44	4.83	106.57	5.58	124.20	6.60	141.74	7.76	159.28	9.14
	70	80.50	4.15	93.44	4.89	106.57	5.64	124.20	6.89	141.74	8.32	157.55	9.75
	75	80.50	4.27	93.44	5.18	106.57	6.15	124.20	7.59	141.74	9.17	154.68	10.39
	80	80.50	4.66	93.44	5.66	106.57	6.72	124.20	8.32	141.74	10.09	151.23	10.99
	85	80.50	5.08	93.44	6.17	106.57	7.36	124.20	9.11	141.31	11.01	148.35	11.62
	90	80.50	5.52	93.44	6.72	106.57	8.04	124.20	9.99	140.01	11.84	145.04	12.25
	95	80.50	6.01	93.44	7.33	106.57	8.74	124.20	10.86	138.58	12.70	142.03	12.85
	100	80.50	6.53	93.44	7.96	106.57	9.55	124.20	11.88	135.41	13.36	139.01	13.50
	105	80.50	7.14	93.44	8.73	106.57	10.49	124.20	13.08	132.54	14.14	135.32	14.25
	110	80.50	7.88	93.44	9.72	106.57	11.70	124.20	14.60	128.23	15.07	128.23	15.07
115	80.50	8.76	93.44	10.82	106.57	14.00	110.98	15.24	111.55	15.27	111.55	15.30	
118	80.50	9.28	91.46	11.22	92.71	12.91	95.44	13.89	95.93	13.92	95.93	13.95	
80%	25	71.88	3.03	83.52	3.51	95.07	4.01	110.40	4.71	125.93	5.44	141.45	6.20
	30	71.88	3.09	83.52	3.58	95.07	4.09	110.40	4.81	125.93	5.56	141.45	6.37
	35	71.88	3.15	83.52	3.66	95.07	4.18	110.40	4.92	125.93	5.69	141.45	6.51
	40	71.88	3.22	83.52	3.73	95.07	4.28	110.40	5.03	125.93	5.82	141.45	6.66
	45	71.88	3.28	83.52	3.82	95.07	4.38	110.40	5.16	125.93	5.98	141.45	6.83
	50	71.88	3.35	83.52	3.90	95.07	4.48	110.40	5.28	125.93	6.13	141.45	7.01
	55	71.88	3.43	83.52	4.00	95.07	4.59	110.40	5.42	125.93	6.28	141.45	7.17
	60	71.88	3.51	83.52	4.09	95.07	4.71	110.40	5.56	125.93	6.47	141.45	7.39
	65	71.88	3.64	83.52	4.26	95.07	4.90	110.40	5.80	125.93	6.74	141.45	7.78
	70	71.88	3.68	83.52	4.31	95.07	4.96	110.40	5.84	125.93	7.04	141.45	8.29
	75	71.88	3.77	83.52	4.47	95.07	5.26	110.40	6.42	125.93	7.74	141.45	9.17
	80	71.88	4.05	83.52	4.87	95.07	5.75	110.40	7.02	125.93	8.48	141.45	10.06
	85	71.88	4.40	83.52	5.30	95.07	6.27	110.40	7.71	125.93	9.30	141.45	11.04
	90	71.88	4.78	83.52	5.76	95.07	6.85	110.40	8.44	125.93	10.16	141.02	12.06
	95	71.88	5.18	83.52	6.29	95.07	7.44	110.40	9.17	125.93	11.09	138.58	12.73
	100	71.88	5.61	83.52	6.80	95.07	8.10	110.40	9.99	125.93	12.13	135.56	13.39
	105	71.88	6.13	83.52	7.46	95.07	8.89	110.40	10.98	125.73	13.35	132.25	14.13
	110	71.88	6.77	83.52	8.26	95.07	9.89	110.40	12.26	124.49	14.60	128.23	15.07
115	71.88	7.53	83.52	9.20	95.07	11.00	110.40	13.66	111.55	15.27	111.55	15.30	
118	71.88	7.98	83.52	9.75	92.71	11.37	95.44	12.52	95.93	13.92	95.93	13.95	

NOTE - Power Input = Compressor + Outdoor Fan Motor.  
MBH = 1000 BTUs per hour.



## COOLING CAPACITY - SINGLE MODULE - VRA144H4

Combination (%)	Outdoor Temperature °F (Dry Bulb)	Indoor Temperature - °F (Dry Bulb / Wet Bulb)											
		67 / 57		71 / 60		75 / 63		80 / 67		85 / 71		90 / 75	
		Total Cap.	Power Input	Total Cap.	Power Input	Total Cap.	Power Input	Total Cap.	Power Input	Total Cap.	Power Input	Total Cap.	Power Input
		MBH	kW	MBH	kW	MBH	kW	MBH	kW	MBH	kW	MBH	kW
70%	25	62.68	2.69	73.03	3.09	82.99	3.50	96.60	4.08	110.11	4.69	123.63	5.33
	30	62.68	2.74	73.03	3.15	82.99	3.57	96.60	4.16	110.11	4.80	123.63	5.45
	35	62.68	2.79	73.03	3.21	82.99	3.65	96.60	4.26	110.11	4.91	123.63	5.59
	40	62.68	2.84	73.03	3.27	82.99	3.72	96.60	4.36	110.11	5.02	123.63	5.72
	45	62.68	2.90	73.03	3.34	82.99	3.81	96.60	4.46	110.11	5.15	123.63	5.87
	50	62.68	2.95	73.03	3.41	82.99	3.89	96.60	4.56	110.11	5.27	123.63	6.01
	55	62.68	3.01	73.03	3.49	82.99	3.98	96.60	4.68	110.11	5.41	123.63	6.16
	60	62.68	3.08	73.03	3.57	82.99	4.08	96.60	4.79	110.11	5.55	123.63	6.34
	65	62.68	3.20	73.03	3.71	82.99	4.24	96.60	4.99	110.11	5.77	123.63	6.64
	70	62.68	3.22	73.03	3.74	82.99	4.29	96.60	5.05	110.11	5.86	123.63	6.83
	75	62.68	3.31	73.03	3.84	82.99	4.44	96.60	5.37	110.11	6.39	123.63	7.53
	80	62.68	3.47	73.03	4.14	82.99	4.84	96.60	5.87	110.11	7.01	123.63	8.28
	85	62.68	3.77	73.03	4.50	82.99	5.28	96.60	6.42	110.11	7.66	123.63	9.08
	90	62.68	4.09	73.03	4.89	82.99	5.74	96.60	7.01	110.11	8.38	123.63	9.93
	95	62.68	4.42	73.03	5.30	82.99	6.22	96.60	7.59	110.11	9.14	123.63	10.80
	100	62.68	4.78	73.03	5.74	82.99	6.77	96.60	8.26	110.11	9.96	123.63	11.82
	105	62.68	5.22	73.03	6.28	82.99	7.43	96.60	9.09	110.11	10.96	123.63	12.98
	110	62.68	5.77	73.03	6.96	82.99	8.25	96.60	10.10	110.11	12.23	123.63	14.54
115	62.68	6.37	73.03	7.72	82.99	9.15	96.60	11.27	109.25	14.13	111.55	15.30	
118	62.68	6.75	73.03	8.19	82.99	9.70	86.94	10.75	95.93	13.15	95.93	13.95	
60%	25	53.71	2.36	62.59	2.68	71.30	3.02	82.80	3.49	94.30	3.98	105.80	4.51
	30	53.71	2.40	62.59	2.73	71.30	3.07	82.80	3.56	94.30	4.07	105.80	4.60
	35	53.71	2.44	62.59	2.78	71.30	3.13	82.80	3.63	94.30	4.16	105.80	4.71
	40	53.71	2.48	62.59	2.83	71.30	3.20	82.80	3.71	94.30	4.25	105.80	4.82
	45	53.71	2.53	62.59	2.89	71.30	3.27	82.80	3.79	94.30	4.35	105.80	4.93
	50	53.71	2.58	62.59	2.95	71.30	3.33	82.80	3.88	94.30	4.45	105.80	5.05
	55	53.71	2.63	62.59	3.01	71.30	3.41	82.80	3.97	94.30	4.56	105.80	5.18
	60	53.71	2.68	62.59	3.07	71.30	3.49	82.80	4.06	94.30	4.68	105.80	5.32
	65	53.71	2.77	62.59	3.19	71.30	3.62	82.80	4.23	94.30	4.87	105.80	5.54
	70	53.71	2.80	62.59	3.22	71.30	3.66	82.80	4.27	94.30	4.93	105.80	5.61
	75	53.71	2.86	62.59	3.29	71.30	3.75	82.80	4.41	94.30	5.21	105.80	6.07
	80	53.71	2.96	62.59	3.47	71.30	4.02	82.80	4.82	94.30	5.70	105.80	6.66
	85	53.71	3.19	62.59	3.76	71.30	4.37	82.80	5.25	94.30	6.23	105.80	7.27
	90	53.71	3.45	62.59	4.08	71.30	4.74	82.80	5.71	94.30	6.78	105.80	7.93
	95	53.71	3.73	62.59	4.41	71.30	5.14	82.80	6.19	94.30	7.39	105.80	8.64
	100	53.71	4.03	62.59	4.78	71.30	5.57	82.80	6.76	94.30	8.05	105.80	9.45
	105	53.71	4.38	62.59	5.21	71.30	6.10	82.80	7.38	94.30	8.84	105.80	10.36
	110	53.71	4.83	62.59	5.76	71.30	6.73	82.80	8.18	94.30	9.81	105.80	11.56
115	53.71	5.32	62.59	6.37	71.30	7.46	82.80	9.11	94.30	10.92	105.80	12.85	
118	53.71	5.64	62.59	6.75	71.30	7.90	82.80	9.66	86.76	10.65	95.93	12.35	
50%	25	44.74	2.04	52.15	2.28	59.61	2.53	69.00	2.89	78.49	3.27	87.98	3.68
	30	44.74	2.06	52.15	2.31	59.61	2.57	69.00	2.95	78.49	3.34	87.98	3.75
	35	44.74	2.09	52.15	2.35	59.61	2.62	69.00	3.00	78.49	3.41	87.98	3.83
	40	44.74	2.13	52.15	2.39	59.61	2.67	69.00	3.06	78.49	3.48	87.98	3.92
	45	44.74	2.16	52.15	2.44	59.61	2.72	69.00	3.13	78.49	3.56	87.98	4.00
	50	44.74	2.20	52.15	2.48	59.61	2.77	69.00	3.19	78.49	3.63	87.98	4.09
	55	44.74	2.24	52.15	2.53	59.61	2.83	69.00	3.26	78.49	3.72	87.98	4.20
	60	44.74	2.28	52.15	2.58	59.61	2.89	69.00	3.33	78.49	3.80	87.98	4.30
	65	44.74	2.35	52.15	2.66	59.61	3.00	69.00	3.47	78.49	3.97	87.98	4.44
	70	44.74	2.37	52.15	2.69	59.61	3.03	69.00	3.50	78.49	3.99	87.98	4.38
	75	44.74	2.42	52.15	2.75	59.61	3.05	69.00	3.46	78.49	4.04	87.98	4.61
	80	44.74	2.44	52.15	2.81	59.61	3.19	69.00	3.77	78.49	4.39	87.98	5.04
	85	44.74	2.62	52.15	3.03	59.61	3.46	69.00	4.08	78.49	4.80	87.98	5.46
	90	44.74	2.81	52.15	3.27	59.61	3.75	69.00	4.41	78.49	5.18	87.98	5.93
	95	44.74	3.04	52.15	3.53	59.61	4.07	69.00	4.79	78.49	5.64	87.98	6.48
	100	44.74	3.27	52.15	3.81	59.61	4.38	69.00	5.26	78.49	6.14	87.98	7.07
	105	44.74	3.54	52.15	4.13	59.61	4.76	69.00	5.66	78.49	6.72	87.98	7.73
	110	44.74	3.89	52.15	4.56	59.61	5.22	69.00	6.25	78.49	7.39	87.98	8.58
115	44.74	4.27	52.15	5.01	59.61	5.76	69.00	6.95	78.49	7.71	87.98	10.39	
118	44.74	4.53	52.15	5.31	59.61	6.11	69.00	7.37	78.49	8.17	87.98	11.02	

NOTE - Power Input = Compressor + Outdoor Fan Motor.  
MBH = 1000 BTUs per hour.



## HEATING CAPACITY - SINGLE MODULE - VRA144H4

Combination (%)	Outdoor Temperature (°F)		Indoor Temperature - °F Dry Bulb											
			61		64		67		70		73		75	
	Dry Bulb	Wet Bulb	Total Cap. MBH	Power Input kW	Total Cap. MBH	Power Input kW	Total Cap. MBH	Power Input kW	Total Cap. MBH	Power Input kW	Total Cap. MBH	Power Input kW	Total Cap. MBH	Power Input kW
130%	-13	-13	62.44	8.00	62.22	8.59	62.02	9.12	61.75	9.61	61.55	10.07	61.42	10.38
	-8	-9	76.70	9.58	76.44	10.15	76.19	10.65	75.86	11.11	75.62	11.54	75.45	11.83
	-3	-4	87.03	11.29	86.72	11.79	86.44	12.23	86.07	12.63	85.79	13.01	85.61	13.27
	2	1	97.36	13.21	97.19	13.59	96.69	13.94	96.34	14.25	96.03	14.56	95.59	14.77
	7	6	105.22	14.14	105.22	14.39	104.80	14.62	104.22	14.82	104.01	15.03	103.59	15.18
	12	10	113.96	14.90	113.96	15.02	113.47	15.13	112.93	15.23	112.68	15.34	112.19	15.44
	17	15	122.59	15.32	122.59	15.33	121.90	15.33	121.55	15.34	121.55	15.34	121.55	15.34
	22	20	128.57	15.12	128.57	15.12	128.57	15.12	127.53	15.13	127.53	15.13	127.53	15.13
	27	24	136.16	14.81	136.16	14.82	135.98	14.82	135.13	14.82	135.05	14.83	134.88	14.83
	32	29	144.34	14.41	144.34	14.41	143.66	14.41	143.32	14.41	143.12	14.42	142.71	14.42
	37	34	153.62	13.73	153.24	13.73	152.77	13.73	152.60	13.74	152.43	13.74	152.10	13.74
	42	38	167.15	13.03	166.84	13.03	166.32	13.03	162.17	13.03	160.22	13.04	157.94	13.04
	47	43	179.73	12.37	175.66	12.37	171.58	12.37	167.51	12.37	165.07	12.38	162.33	12.38
	52	47	186.32	12.21	182.25	12.21	178.17	12.21	174.10	12.22	171.72	12.22	167.31	12.22
	57	52	194.55	12.01	190.48	12.01	186.41	12.02	182.33	12.02	178.26	12.02	173.79	12.02
	62	56	201.14	11.85	197.07	11.85	192.99	11.86	188.92	11.86	184.85	11.86	176.92	11.30
	67	61	209.38	11.65	205.30	11.66	201.23	11.66	197.15	11.66	186.23	10.98	176.92	10.34
72	66	217.61	11.46	213.54	11.46	209.46	11.46	200.20	10.98	186.23	10.09	176.92	9.51	
75	69	222.55	11.34	218.48	11.34	214.40	11.34	202.03	10.57	186.23	9.55	176.92	9.01	
120%	-13	-13	62.08	8.92	61.88	9.39	61.69	9.82	61.49	10.23	61.29	10.58	61.16	10.83
	-8	-9	76.27	10.46	76.02	10.90	75.78	11.31	75.54	11.69	75.29	12.01	75.13	12.25
	-3	-4	86.53	12.07	86.25	12.45	85.98	12.80	85.70	13.14	85.43	13.42	85.24	13.62
	2	1	96.57	13.82	96.43	14.11	96.29	14.40	96.15	14.66	95.50	14.88	95.40	15.03
	7	6	104.59	14.54	104.31	14.73	104.22	14.91	104.22	15.10	103.46	15.22	103.21	15.32
	12	10	113.22	15.10	113.00	15.18	112.93	15.28	112.93	15.37	112.10	15.43	111.90	15.51
	17	15	122.59	15.33	121.81	15.33	121.55	15.34	121.55	15.34	120.50	15.34	120.50	15.35
	22	20	128.57	15.12	127.79	15.12	127.53	15.13	127.53	15.13	127.19	15.13	126.50	15.13
	27	24	135.90	14.82	135.32	14.82	135.13	14.82	135.13	14.83	134.62	14.83	134.11	14.83
	32	29	143.73	14.41	143.42	14.41	143.32	14.41	143.32	14.42	142.31	14.42	142.31	14.42
	37	34	153.11	13.73	152.73	13.73	152.60	13.74	152.10	13.74	150.48	13.74	150.48	13.74
	42	38	161.22	13.03	161.22	13.03	161.22	13.03	160.81	13.04	155.34	13.04	153.77	13.04
	47	43	177.79	12.37	173.95	12.37	170.11	12.37	166.28	12.38	160.82	12.38	156.69	12.38
	52	47	184.51	12.21	180.67	12.21	176.83	12.22	173.00	12.22	167.47	12.22	158.44	12.22
	57	52	187.23	12.01	183.51	12.02	179.78	12.02	176.06	12.02	170.19	11.77	161.68	11.08
	62	56	193.75	11.86	190.03	11.86	186.31	11.86	182.58	11.86	170.19	10.92	161.68	10.29
	67	61	203.94	11.66	200.18	11.66	196.42	11.66	184.80	10.88	171.91	10.00	163.31	9.43
72	66	212.18	11.46	208.42	11.46	197.69	10.82	184.80	10.00	171.91	9.20	163.31	8.68	
75	69	217.12	11.34	213.36	11.34	198.46	10.31	184.80	9.47	171.91	8.72	163.31	8.23	
110%	-13	-13	61.75	9.71	61.55	10.10	61.35	10.43	61.16	10.80	60.96	11.06	60.83	11.27
	-8	-9	75.86	11.21	75.62	11.57	75.37	11.87	75.13	12.23	74.89	12.45	74.72	12.63
	-3	-4	86.07	12.72	85.79	13.02	85.52	13.29	85.24	13.61	84.96	13.78	84.78	13.92
	2	1	96.34	14.33	96.20	14.56	95.71	14.76	95.40	15.04	95.26	15.15	95.17	15.23
	7	6	104.22	14.87	104.22	15.02	103.80	15.15	103.21	15.35	103.21	15.37	103.21	15.40
	12	10	112.93	15.26	112.93	15.33	112.44	15.36	111.90	15.52	111.90	15.53	111.90	15.54
	17	15	122.77	15.33	122.77	15.34	122.07	15.34	121.72	15.34	121.72	15.35	121.72	15.35
	22	20	127.53	15.12	127.53	15.13	127.53	15.13	126.50	15.13	126.50	15.14	126.50	15.14
	27	24	135.13	14.82	135.13	14.83	134.96	14.83	134.11	14.83	134.11	14.83	134.11	14.83
	32	29	143.32	14.41	143.32	14.42	142.64	14.42	142.31	14.42	142.31	14.42	142.31	14.42
	37	34	149.61	13.73	149.24	13.74	148.78	13.74	148.62	13.74	148.45	13.74	148.12	13.74
	42	38	160.27	13.03	158.40	13.03	156.34	13.04	156.15	13.04	152.57	13.04	149.70	13.04
	47	43	170.56	12.37	167.07	12.37	163.59	12.38	160.11	12.38	156.63	12.38	149.70	11.97
	52	47	177.21	12.21	172.01	12.22	168.56	12.22	165.11	12.22	157.58	11.71	149.70	11.02
	57	52	183.69	12.02	180.24	12.02	176.79	12.02	169.40	11.57	157.58	10.62	149.70	10.01
	62	56	190.28	11.86	186.83	11.86	181.22	11.63	169.40	10.74	157.58	9.87	149.70	9.31
	67	61	198.51	11.66	193.04	11.46	181.22	10.63	169.40	9.83	157.58	9.05	149.70	8.55
72	66	204.86	11.28	193.04	10.52	181.22	9.77	169.40	9.05	157.58	8.34	149.70	7.88	
75	69	208.66	11.06	193.04	9.95	181.22	9.26	169.40	8.57	157.58	7.91	149.70	7.48	

NOTE - Power Input = Compressor + Outdoor Fan Motor.  
MBH = 1000 BTUs per hour.

# HEATING CAPACITY - SINGLE MODULE - VRA144H4

Combination (%)	Outdoor Temperature (°F)		Indoor Temperature - °F Dry Bulb											
			61		64		67		70		73		75	
	Dry Bulb	Wet Bulb	Total Cap. MBH	Power Input kW	Total Cap. MBH	Power Input kW	Total Cap. MBH	Power Input kW	Total Cap. MBH	Power Input kW	Total Cap. MBH	Power Input kW	Total Cap. MBH	Power Input kW
100%	-13	-13	61.35	10.41	61.21	10.69	61.02	10.97	60.83	11.24	60.69	11.49	60.56	12.07
	-8	-9	75.37	11.86	75.19	12.12	74.97	12.39	74.72	12.61	74.56	12.86	74.40	13.50
	-3	-4	85.52	13.30	85.31	13.51	85.06	13.76	84.78	13.90	84.60	14.15	84.41	14.86
	2	1	95.54	14.80	95.44	14.95	95.31	15.17	95.17	15.22	94.56	15.46	94.47	15.91
	7	6	103.59	15.19	103.30	15.27	103.21	15.44	103.21	15.40	102.45	15.63	102.20	16.08
	12	10	112.19	15.42	111.97	15.40	111.90	15.51	111.90	15.44	111.06	15.65	110.87	16.10
	17	15	120.27	15.34	119.49	15.34	119.23	15.35	117.30	15.35	118.89	15.35	118.20	15.35
	22	20	127.53	15.30	126.75	15.30	126.50	15.30	126.50	15.30	126.50	15.14	126.50	15.14
	27	24	134.88	15.11	134.30	15.11	134.11	15.11	134.11	15.11	133.85	14.84	133.85	14.84
	32	29	142.71	14.86	142.41	14.86	142.31	14.86	142.31	14.86	141.56	14.43	136.09	14.43
	37	34	149.11	14.32	148.74	14.32	148.62	14.32	148.12	14.32	142.55	13.74	136.09	13.75
	42	38	156.92	13.72	153.93	13.72	152.44	13.72	148.51	13.72	142.70	13.04	136.09	12.36
	47	43	164.12	13.20	160.23	13.20	157.17	13.20	150.00	13.20	143.26	11.36	136.09	10.70
	52	47	171.56	12.74	166.89	12.53	162.12	12.22	150.00	11.39	143.26	10.47	136.09	9.87
	57	52	178.26	12.33	171.62	12.02	164.74	11.19	150.00	10.34	143.26	9.52	136.09	8.98
	62	56	184.85	11.86	175.49	11.19	164.74	10.39	150.00	9.62	143.26	8.86	136.09	8.37
	67	61	186.23	10.98	175.49	10.24	164.74	9.52	150.00	8.82	143.26	8.14	136.09	7.69
	72	66	186.23	10.09	175.49	9.42	164.74	8.76	150.00	8.13	143.26	7.51	136.09	7.10
	75	69	186.23	9.55	175.49	8.92	164.74	8.31	150.00	7.71	143.26	7.13	136.09	6.75
	90%	-13	-13	60.68	11.45	60.53	11.76	60.35	12.07	60.22	12.37	60.04	12.64	59.95
-8		-9	74.54	13.05	74.36	13.33	74.14	13.63	73.98	13.87	73.76	14.15	73.65	14.85
-3		-4	84.57	14.63	84.37	14.86	84.12	15.14	83.93	15.29	83.69	15.57	83.57	16.35
2		1	95.06	16.28	94.57	16.44	94.31	16.69	94.22	16.74	94.04	17.01	93.88	17.32
7		6	103.18	17.14	102.71	17.15	102.56	17.15	102.18	17.15	102.11	17.16	101.99	17.16
12		10	110.68	16.36	110.68	16.37	110.20	16.37	109.66	16.37	109.66	16.37	109.66	16.38
17		15	120.28	15.34	120.28	15.35	119.58	15.35	119.23	15.35	119.23	15.36	119.23	15.36
22		20	124.70	15.13	124.70	15.14	124.70	15.14	124.70	15.14	125.64	15.14	122.48	15.14
27		24	132.27	14.83	132.27	14.83	132.10	14.83	132.02	14.84	128.93	14.84	122.48	14.84
32		29	139.77	14.42	137.03	14.42	136.38	14.42	136.05	14.43	128.93	14.43	122.48	14.43
37		34	147.19	13.74	142.54	13.74	141.47	13.74	138.60	13.75	128.93	13.23	122.48	12.46
42		38	154.35	13.04	149.33	13.04	145.12	13.04	138.60	12.63	128.93	11.60	122.48	10.93
47		43	163.10	12.63	155.18	12.38	148.27	11.83	138.60	10.93	128.93	10.05	122.48	9.49
52		47	164.59	12.22	157.94	11.74	148.27	10.90	138.60	10.08	128.93	9.29	122.48	8.77
57		52	167.61	11.42	157.94	10.65	148.27	9.90	138.60	9.17	128.93	8.46	122.48	8.00
62		56	167.61	10.60	157.94	9.90	148.27	9.21	138.60	8.54	128.93	7.89	122.48	7.46
67		61	167.61	9.71	157.94	9.08	148.27	8.45	138.60	7.85	128.93	7.26	122.48	6.87
72		66	167.61	8.94	157.94	8.36	148.27	7.80	138.60	7.25	128.93	6.71	122.48	6.36
75		69	167.61	8.47	157.94	7.93	148.27	7.40	138.60	6.88	128.93	6.38	122.48	6.05
80%		-13	-13	60.01	12.60	59.91	12.94	59.79	13.28	59.62	13.61	59.51	13.91	59.42
	-8	-9	73.72	14.36	73.60	14.66	73.45	14.99	73.24	15.25	73.10	15.56	72.99	16.34
	-3	-4	83.64	16.09	83.50	16.34	83.34	16.65	83.09	16.82	82.94	17.12	82.82	17.98
	2	1	93.76	17.90	93.69	18.09	93.54	18.36	93.28	18.42	93.11	18.71	92.98	19.25
	7	6	100.75	17.15	100.47	17.15	100.30	17.16	100.13	17.16	100.03	17.16	99.95	17.16
	12	10	106.65	16.37	106.44	16.37	106.37	16.37	106.37	16.38	106.14	16.38	105.62	16.38
	17	15	114.46	15.35	114.46	15.35	114.46	15.35	114.46	15.36	111.85	15.36	108.87	15.36
	22	20	121.91	15.14	121.16	15.14	118.54	15.14	118.54	15.14	114.60	15.15	108.87	15.15
	27	24	127.83	14.83	126.04	14.84	124.31	14.84	121.97	14.84	114.60	14.84	108.87	14.68
	32	29	134.56	14.42	131.35	14.43	128.38	14.43	123.20	14.43	114.60	13.46	108.87	12.68
	37	34	139.78	13.74	135.88	13.74	129.52	13.58	123.20	12.54	114.60	11.53	108.87	10.87
	42	38	143.10	13.04	136.70	12.82	129.52	11.90	123.20	11.00	114.60	10.13	108.87	9.56
	47	43	143.10	11.90	136.70	11.09	129.52	10.31	123.20	9.55	114.60	8.81	108.87	8.32
	52	47	143.10	10.96	136.70	10.23	129.52	9.52	123.20	8.83	114.60	8.15	108.87	7.71
	57	52	143.10	9.96	136.70	9.30	129.52	8.67	123.20	8.05	114.60	7.44	108.87	7.05
	62	56	143.10	9.26	136.70	8.66	129.52	8.08	123.20	7.51	114.60	6.95	108.87	6.59
	67	61	143.10	8.50	136.70	7.96	129.52	7.43	123.20	6.91	114.60	6.41	108.87	6.08
	72	66	143.10	7.84	136.70	7.35	129.52	6.87	123.20	6.39	114.60	5.93	108.87	5.63
	75	69	143.10	7.44	136.70	6.98	129.52	6.53	123.20	6.08	114.60	5.65	108.87	5.37

NOTE - Power Input = Compressor + Outdoor Fan Motor.  
 MBH = 1000 BTUs per hour.

# HEATING CAPACITY - SINGLE MODULE - VRA144H4

Combination (%)	Outdoor Temperature (°F)		Indoor Temperature - °F Dry Bulb											
			61		64		67		70		73		75	
	Dry Bulb	Wet Bulb	Total Cap. MBH	Power Input kW	Total Cap. MBH	Power Input kW	Total Cap. MBH	Power Input kW	Total Cap. MBH	Power Input kW	Total Cap. MBH	Power Input kW	Total Cap. MBH	Power Input kW
70%	-13	-13	59.39	13.86	59.26	14.23	59.16	14.61	59.02	14.97	58.89	15.30	58.80	15.54
	-8	-9	72.95	15.79	72.80	16.13	72.67	16.49	72.50	16.78	72.34	17.12	72.23	18.15
	-3	-4	82.77	17.70	82.59	17.98	82.45	18.32	82.26	18.50	82.08	18.84	81.96	19.31
	2	1	92.83	18.71	92.68	18.90	92.50	19.19	92.34	19.24	93.06	19.55	91.98	19.87
	7	6	99.69	18.19	99.60	18.19	99.48	18.19	99.01	18.19	97.90	18.20	95.27	18.20
	12	10	107.24	17.19	105.14	17.20	104.67	17.20	104.16	17.20	100.28	17.20	95.27	17.21
	17	15	113.10	15.82	110.93	15.82	109.20	15.82	107.80	15.82	100.28	15.82	95.27	15.83
	22	20	117.74	15.14	115.43	15.14	113.52	15.15	107.80	15.15	100.28	15.10	95.27	14.21
	27	24	123.06	14.84	119.49	14.84	114.48	14.84	107.80	14.51	100.28	13.32	95.27	12.55
	32	29	125.93	14.43	120.20	14.43	114.48	13.56	107.80	12.53	100.28	11.53	95.27	10.88
	37	34	125.93	13.41	120.20	12.50	114.48	11.61	107.80	10.75	100.28	9.91	95.27	9.37
	42	38	125.93	11.75	120.20	10.96	114.48	10.20	107.80	9.46	100.28	8.73	95.27	8.26
	47	43	125.93	10.18	120.20	9.52	114.48	8.87	107.80	8.23	100.28	7.61	95.27	7.21
	52	47	125.93	9.40	120.20	8.80	114.48	8.21	107.80	7.63	100.28	7.06	95.27	6.69
	57	52	125.93	8.56	120.20	8.02	114.48	7.49	107.80	6.97	100.28	6.47	95.27	6.14
	62	56	125.93	7.98	120.20	7.48	114.48	7.00	107.80	6.52	100.28	6.05	95.27	5.75
	67	61	125.93	7.34	120.20	6.89	114.48	6.45	107.80	6.02	100.28	5.59	95.27	5.32
72	66	125.93	6.79	120.20	6.38	114.48	5.97	107.80	5.58	100.28	5.19	95.27	4.94	
75	69	125.93	6.45	120.20	6.07	114.48	5.69	107.80	5.31	100.28	4.95	95.27	4.71	
60%	-13	-13	58.20	15.52	58.07	15.53	57.97	15.53	57.84	15.54	57.71	15.54	57.62	15.55
	-8	-9	70.56	16.82	69.66	16.83	68.80	16.83	67.86	16.83	67.09	16.84	66.32	16.84
	-3	-4	82.75	17.23	80.96	17.23	79.23	17.24	77.36	17.24	75.86	17.24	74.29	17.25
	2	1	95.02	17.83	92.24	17.83	89.56	17.83	86.66	17.84	84.35	17.84	81.91	17.84
	7	6	103.55	18.19	99.84	18.20	96.26	18.20	92.40	18.20	89.34	18.20	86.07	18.21
	12	10	105.58	17.20	101.20	17.20	96.96	17.20	92.40	17.21	88.79	17.21	84.92	17.21
	17	15	107.42	15.98	102.43	15.66	97.60	15.67	92.40	15.67	88.29	15.04	83.88	14.16
	22	20	108.80	15.45	103.74	15.15	98.85	14.84	92.40	13.71	85.95	12.60	81.66	11.89
	27	24	108.80	14.84	103.74	14.11	98.85	13.10	92.40	12.12	85.95	11.17	81.66	10.55
	32	29	108.80	13.07	103.74	12.20	98.85	11.35	92.40	10.52	85.95	9.71	81.66	9.19
	37	34	108.80	11.20	103.74	10.47	98.85	9.76	92.40	9.06	85.95	8.38	81.66	7.94
	42	38	108.80	9.84	103.74	9.21	98.85	8.60	92.40	7.99	85.95	7.40	81.66	7.02
	47	43	111.74	8.56	105.29	8.03	98.85	7.50	92.40	6.98	85.95	6.48	81.66	6.15
	52	47	111.74	7.93	105.29	7.44	98.85	6.96	92.40	6.49	85.95	6.03	81.66	5.72
	57	52	111.74	7.24	105.29	6.80	98.85	6.37	92.40	5.95	85.95	5.53	81.66	5.26
	62	56	111.74	6.77	105.29	6.36	98.85	5.96	92.40	5.57	85.95	5.19	81.66	4.94
	67	61	111.74	6.24	105.29	5.87	98.85	5.51	92.40	5.16	85.95	4.81	81.66	4.58
72	66	111.74	5.78	105.29	5.45	98.85	5.12	92.40	4.79	85.95	4.48	81.66	4.27	
75	69	111.74	5.51	105.29	5.19	98.85	4.88	92.40	4.58	85.95	4.28	81.66	4.08	
50%	-13	-13	57.04	15.54	56.91	15.54	56.81	15.55	56.68	15.55	56.56	15.55	56.47	15.56
	-8	-9	67.63	16.83	66.65	16.84	65.69	16.84	64.70	16.85	63.71	16.85	63.05	16.85
	-3	-4	77.83	17.24	75.85	17.24	73.90	17.25	71.92	17.25	69.94	17.25	67.25	17.26
	2	1	84.27	17.84	81.33	17.84	78.40	17.84	75.46	17.84	71.63	17.85	68.05	17.85
	7	6	88.50	18.20	84.66	18.20	80.84	18.21	77.00	18.21	71.63	18.21	68.05	18.21
	12	10	90.87	17.21	86.25	17.21	81.63	17.21	77.00	17.13	71.63	15.72	68.05	14.81
	17	15	93.12	15.67	87.74	15.42	82.37	14.31	77.00	13.23	71.63	12.18	68.05	11.50
	22	20	93.12	13.83	87.74	12.91	82.37	12.01	77.00	11.13	71.63	10.27	68.05	9.71
	27	24	93.12	12.23	87.74	11.43	82.37	10.65	77.00	9.89	71.63	9.14	68.05	8.66
	32	29	93.12	10.61	87.74	9.93	82.37	9.27	77.00	8.63	71.63	7.99	68.05	7.58
	37	34	93.12	9.14	87.74	8.57	82.37	8.01	77.00	7.47	71.63	6.93	68.05	6.58
	42	38	93.12	8.06	87.74	7.57	82.37	7.08	77.00	6.61	71.63	6.15	68.05	5.84
	47	43	93.12	7.04	87.74	6.62	82.37	6.20	77.00	5.80	71.63	5.40	68.05	5.14
	52	47	93.12	6.54	87.74	6.15	82.37	5.77	77.00	5.40	71.63	5.04	68.05	4.80
	57	52	93.12	6.00	87.74	5.65	82.37	5.31	77.00	4.97	71.63	4.64	68.05	4.43
	62	56	93.12	5.62	87.74	5.30	82.37	4.98	77.00	4.67	71.63	4.37	68.05	4.17
	67	61	93.12	5.20	87.74	4.91	82.37	4.62	77.00	4.34	71.63	4.06	68.05	3.88
72	66	93.12	4.83	87.74	4.56	82.37	4.30	77.00	4.04	71.63	3.79	68.05	3.62	
75	69	93.12	4.61	87.74	4.36	82.37	4.11	77.00	3.87	71.63	3.63	68.05	3.47	

NOTE - Power Input = Compressor + Outdoor Fan Motor.  
MBH = 1000 BTUs per hour.

## COOLING CAPACITY - TWO MODULE - VRA168H4

Combination (%)	Outdoor Temperature °F (Dry Bulb)	Indoor Temperature - °F (Dry Bulb / Wet Bulb)											
		67 / 57		71 / 60		75 / 63		80 / 67		85 / 71		90 / 75	
		Total Cap.	Power Input	Total Cap.	Power Input	Total Cap.	Power Input	Total Cap.	Power Input	Total Cap.	Power Input	Total Cap.	Power Input
		MBH	kW	MBH	kW	MBH	kW	MBH	kW	MBH	kW	MBH	kW
130%	25	135.24	4.82	156.67	5.71	178.41	6.62	207.62	7.89	224.83	8.35	230.75	8.01
	30	135.24	4.93	156.67	5.84	178.41	6.78	207.62	8.08	221.43	8.30	226.67	7.95
	35	135.24	5.05	156.67	5.98	178.41	6.95	207.62	8.28	217.62	8.23	223.33	7.88
	40	135.24	5.16	156.67	6.13	178.41	7.12	207.62	8.47	213.81	8.17	220.00	7.82
	45	135.24	5.29	156.67	6.28	178.41	7.30	204.76	8.45	210.48	8.11	216.19	7.74
	50	135.24	5.41	156.67	6.44	178.41	7.48	201.90	8.42	207.14	8.05	212.38	7.67
	55	135.24	5.56	156.67	6.61	178.41	7.68	198.33	8.36	203.57	8.03	208.81	7.87
	60	135.24	5.70	156.67	6.79	178.41	7.89	194.29	8.44	200.00	8.39	205.24	8.48
	65	135.24	5.94	156.67	7.12	178.41	8.46	187.38	9.08	194.29	9.36	199.52	9.46
	70	135.24	6.08	156.67	7.56	176.51	8.97	186.67	9.50	192.86	9.61	198.10	9.69
	75	135.24	6.68	156.67	8.32	173.97	9.61	183.81	10.07	189.05	10.22	194.29	10.36
	80	135.24	7.33	156.67	9.13	171.59	10.30	180.24	10.68	185.48	10.82	190.71	10.97
	85	135.24	8.02	156.67	10.00	169.21	11.01	176.67	11.28	181.90	11.43	187.14	11.57
	90	135.24	8.76	156.67	10.91	166.83	11.74	172.38	11.89	178.33	12.07	182.86	12.18
	95	135.24	9.56	154.52	11.61	163.49	12.36	168.57	12.59	174.29	12.69	175.24	12.69
	100	135.24	10.44	151.85	12.29	159.92	12.99	164.52	13.17	166.67	13.17	166.67	13.17
	105	135.24	11.46	148.81	13.11	155.45	13.74	157.14	13.79	157.46	13.79	157.78	13.79
	110	135.24	12.78	145.24	14.09	148.57	14.53	148.57	14.53	148.57	14.53	148.57	14.53
115	127.62	14.72	128.33	14.72	128.57	14.72	128.57	14.72	129.52	14.72	129.52	14.82	
118	109.75	13.42	110.37	13.42	110.57	13.42	110.57	13.42	111.39	13.42	111.39	13.51	
120%	25	124.76	4.42	144.76	5.22	164.76	6.04	192.38	7.19	217.76	8.28	226.94	8.25
	30	124.76	4.51	144.76	5.33	164.76	6.18	192.38	7.36	215.71	8.35	222.86	8.19
	35	124.76	4.61	144.76	5.46	164.76	6.33	192.38	7.54	213.33	8.38	219.52	8.13
	40	124.76	4.72	144.76	5.59	164.76	6.49	192.38	7.73	210.95	8.40	216.19	8.07
	45	124.76	4.83	144.76	5.73	164.76	6.65	192.38	7.93	207.14	8.34	212.38	8.00
	50	124.76	4.95	144.76	5.87	164.76	6.82	192.38	8.13	203.33	8.28	208.57	7.93
	55	124.76	5.08	144.76	6.02	164.76	7.00	192.38	8.34	199.76	8.22	205.00	7.95
	60	124.76	5.21	144.76	6.19	164.76	7.19	190.95	8.49	196.19	8.39	201.43	8.43
	65	124.76	5.44	144.76	6.46	164.76	7.60	185.24	8.87	190.48	9.23	195.71	9.39
	70	124.76	5.50	144.76	6.75	164.76	8.13	183.81	9.45	189.05	9.54	194.29	9.64
	75	124.76	5.99	144.76	7.41	164.76	8.95	180.00	10.07	185.24	10.17	190.48	10.27
	80	124.76	6.56	144.76	8.13	164.60	9.84	176.43	10.68	181.67	10.77	186.90	10.87
	85	124.76	7.17	144.76	8.89	163.17	10.61	172.86	11.28	178.10	11.38	183.33	11.48
	90	124.76	7.83	144.76	9.73	160.79	11.32	169.29	11.89	174.52	11.99	179.76	12.08
	95	124.76	8.52	144.76	10.63	158.41	12.04	165.71	12.49	170.95	12.64	175.24	12.69
	100	124.76	9.30	144.76	11.64	156.03	12.81	162.14	13.10	165.95	13.17	166.67	13.17
	105	124.76	10.23	144.29	12.70	153.54	13.63	156.83	13.79	157.46	13.79	157.78	13.79
	110	124.76	11.43	141.90	13.75	148.25	14.53	148.57	14.53	148.57	14.53	148.57	14.53
115	124.76	12.69	127.62	14.21	128.57	14.72	128.57	14.72	129.52	14.72	129.52	14.82	
118	109.75	11.83	110.37	13.03	110.57	13.42	110.57	13.42	111.39	13.42	111.39	13.51	
110%	25	114.29	4.02	132.86	4.74	151.11	5.48	176.19	6.50	200.48	7.57	223.13	8.48
	30	114.29	4.11	132.86	4.84	151.11	5.60	176.19	6.65	200.48	7.75	219.05	8.44
	35	114.29	4.20	132.86	4.96	151.11	5.74	176.19	6.82	200.48	7.94	215.71	8.38
	40	114.29	4.30	132.86	5.07	151.11	5.87	176.19	6.98	200.48	8.14	212.38	8.32
	45	114.29	4.40	132.86	5.20	151.11	6.02	176.19	7.16	199.05	8.24	208.57	8.26
	50	114.29	4.50	132.86	5.32	151.11	6.17	176.19	7.34	197.62	8.34	204.76	8.19
	55	114.29	4.61	132.86	5.46	151.11	6.33	176.19	7.54	195.71	8.41	201.19	8.14
	60	114.29	4.74	132.86	5.60	151.11	6.50	176.19	7.74	192.86	8.47	197.62	8.36
	65	114.29	4.93	132.86	5.85	151.11	6.79	176.19	8.27	187.14	8.96	191.90	9.32
	70	114.29	4.99	132.86	6.00	151.11	7.16	176.19	8.93	185.71	9.48	190.48	9.57
	75	114.29	5.33	132.86	6.55	151.11	7.88	176.19	9.88	181.90	10.07	186.67	10.17
	80	114.29	5.83	132.86	7.18	151.11	8.65	173.57	10.58	178.33	10.68	183.10	10.77
	85	114.29	6.36	132.86	7.86	151.11	9.47	170.00	11.19	174.76	11.28	179.52	11.38
	90	114.29	6.94	132.86	8.59	151.11	10.34	166.43	11.79	171.19	11.89	175.95	11.99
	95	114.29	7.55	132.86	9.37	151.11	11.33	162.86	12.40	167.62	12.54	172.38	12.69
	100	114.29	8.23	132.86	10.19	150.00	12.22	159.29	13.00	163.81	13.14	166.67	13.17
	105	114.29	9.03	132.86	11.22	147.72	13.04	155.87	13.75	157.46	13.79	157.78	13.79
	110	114.29	10.07	132.86	12.54	145.40	14.14	148.57	14.53	148.57	14.53	148.57	14.53
115	114.29	11.14	125.00	13.83	128.57	14.72	128.57	14.72	129.52	14.72	129.52	14.82	
118	109.75	11.34	110.37	12.94	110.57	13.42	110.57	13.42	111.39	13.42	111.39	13.51	

NOTE - Power Input = Compressor + Outdoor Fan Motor.  
MBH = 1000 BTUs per hour.

## COOLING CAPACITY - TWO MODULE - VRA168H4

Combination (%)	Outdoor Temperature °F (Dry Bulb)	Indoor Temperature - °F (Dry Bulb / Wet Bulb)											
		67 / 57		71 / 60		75 / 63		80 / 67		85 / 71		90 / 75	
		Total Cap.	Power Input	Total Cap.	Power Input	Total Cap.	Power Input	Total Cap.	Power Input	Total Cap.	Power Input	Total Cap.	Power Input
		MBH	kW	MBH	kW	MBH	kW	MBH	kW	MBH	kW	MBH	kW
100%	25	103.81	3.64	120.95	4.27	137.46	4.92	160.00	5.83	182.38	6.78	204.76	7.75
	30	103.81	3.72	120.95	4.37	137.46	5.03	160.00	5.97	182.38	6.94	204.76	7.94
	35	103.81	3.80	120.95	4.47	137.46	5.15	160.00	6.11	182.38	7.11	204.76	8.14
	40	103.81	3.88	120.95	4.57	137.46	5.27	160.00	6.26	182.38	7.28	204.76	8.33
	45	103.81	3.98	120.95	4.68	137.46	5.40	160.00	6.42	182.38	7.47	202.86	8.39
	50	103.81	4.07	120.95	4.79	137.46	5.54	160.00	6.58	182.38	7.66	200.95	8.46
	55	103.81	4.16	120.95	4.91	137.46	5.68	160.00	6.75	182.38	7.86	197.38	8.39
	60	103.81	4.27	120.95	5.04	137.46	5.83	160.00	6.93	182.38	8.07	193.81	8.45
	65	103.81	4.44	120.95	5.25	137.46	6.09	160.00	7.24	182.02	8.65	188.10	9.04
	70	103.81	4.49	120.95	5.31	137.46	6.26	160.00	7.76	180.00	9.22	186.67	9.49
	75	103.81	4.71	120.95	5.75	137.46	6.88	160.00	8.53	178.57	9.98	182.86	10.07
	80	103.81	5.15	120.95	6.30	137.46	7.54	160.00	9.37	175.00	10.62	179.29	10.68
	85	103.81	5.61	120.95	6.88	137.46	8.26	160.00	10.27	171.43	11.19	175.71	11.28
	90	103.81	6.11	120.95	7.50	137.46	9.01	160.00	11.23	167.86	11.79	172.14	11.89
	95	103.81	6.64	120.95	8.18	137.46	9.87	160.00	12.30	164.29	12.45	168.57	12.49
	100	103.81	7.22	120.95	8.92	137.46	10.73	156.43	12.91	160.24	13.05	164.52	13.17
	105	103.81	7.92	120.95	9.80	137.46	11.83	153.02	13.66	156.51	13.77	157.78	13.79
	110	103.81	8.80	120.95	10.92	137.46	13.17	148.57	14.53	148.57	14.53	148.57	14.53
115	103.81	9.78	120.95	12.11	127.94	14.11	128.57	14.72	129.52	14.72	129.52	14.82	
118	103.81	10.37	106.44	11.29	110.57	12.92	110.57	13.42	111.39	13.42	111.39	13.51	
90%	25	93.43	3.28	108.36	3.82	123.49	4.38	143.81	5.18	164.29	6.01	184.76	6.87
	30	93.43	3.34	108.36	3.90	123.49	4.48	143.81	5.30	164.29	6.15	184.76	7.03
	35	93.43	3.41	108.36	3.99	123.49	4.59	143.81	5.42	164.29	6.30	184.76	7.20
	40	93.43	3.49	108.36	4.07	123.49	4.69	143.81	5.55	164.29	6.45	184.76	7.37
	45	93.43	3.56	108.36	4.17	123.49	4.81	143.81	5.69	164.29	6.61	184.76	7.56
	50	93.43	3.64	108.36	4.27	123.49	4.92	143.81	5.83	164.29	6.78	184.76	7.76
	55	93.43	3.73	108.36	4.38	123.49	5.05	143.81	5.98	164.29	6.96	184.76	7.96
	60	93.43	3.82	108.36	4.49	123.49	5.18	143.81	6.14	164.29	7.15	184.76	8.17
	65	93.43	3.96	108.36	4.67	123.49	5.40	143.81	6.41	164.29	7.51	184.76	8.84
	70	93.43	4.01	108.36	4.72	123.49	5.46	143.81	6.66	164.29	8.06	182.86	9.42
	75	93.43	4.13	108.36	5.00	123.49	5.94	143.81	7.32	164.29	8.88	179.05	9.98
	80	93.43	4.50	108.36	5.47	123.49	6.51	143.81	8.04	164.29	9.73	175.48	10.58
	85	93.43	4.91	108.36	5.97	123.49	7.12	143.81	8.80	163.81	10.63	171.90	11.19
	90	93.43	5.34	108.36	6.51	123.49	7.76	143.81	9.62	162.26	11.46	168.33	11.79
	95	93.43	5.79	108.36	7.08	123.49	8.46	143.81	10.46	160.48	12.30	164.76	12.40
	100	93.43	6.29	108.36	7.70	123.49	9.22	143.81	11.45	157.38	12.95	161.19	13.00
	105	93.43	6.89	108.36	8.45	123.49	10.14	143.81	12.62	153.33	13.67	157.14	13.75
	110	93.43	7.64	108.36	9.39	123.49	11.27	143.81	14.14	148.57	14.53	148.57	14.53
115	93.43	8.47	108.36	10.47	123.49	13.53	128.57	14.72	129.52	14.72	129.52	14.82	
118	93.43	8.98	106.19	10.88	107.44	12.47	110.57	13.42	111.39	13.42	111.39	13.51	
80%	25	83.05	2.93	96.48	3.39	109.84	3.87	127.62	4.55	146.19	5.25	163.81	5.99
	30	83.05	2.98	96.48	3.46	109.84	3.95	127.62	4.65	146.19	5.38	163.81	6.13
	35	83.05	3.05	96.48	3.54	109.84	4.04	127.62	4.76	146.19	5.51	163.81	6.28
	40	83.05	3.11	96.48	3.61	109.84	4.13	127.62	4.86	146.19	5.64	163.81	6.43
	45	83.05	3.18	96.48	3.69	109.84	4.23	127.62	4.98	146.19	5.78	163.81	6.60
	50	83.05	3.24	96.48	3.77	109.84	4.33	127.62	5.10	146.19	5.92	163.81	6.77
	55	83.05	3.31	96.48	3.86	109.84	4.43	127.62	5.24	146.19	6.08	163.81	6.94
	60	83.05	3.39	96.48	3.96	109.84	4.55	127.62	5.37	146.19	6.24	163.81	7.13
	65	83.05	3.51	96.48	4.11	109.84	4.73	127.62	5.60	146.19	6.51	163.81	7.48
	70	83.05	3.55	96.48	4.16	109.84	4.78	127.62	5.67	146.19	6.80	163.81	8.04
	75	83.05	3.64	96.48	4.32	109.84	5.08	127.62	6.21	146.19	7.48	163.81	8.85
	80	83.05	3.90	96.48	4.70	109.84	5.56	127.62	6.81	146.19	8.20	163.81	9.72
	85	83.05	4.25	96.48	5.12	109.84	6.07	127.62	7.44	146.19	8.97	163.81	10.65
	90	83.05	4.61	96.48	5.57	109.84	6.61	127.62	8.12	146.19	9.82	163.81	11.62
	95	83.05	5.00	96.48	6.06	109.84	7.19	127.62	8.86	146.19	10.75	160.95	12.30
	100	83.05	5.42	96.48	6.58	109.84	7.83	127.62	9.66	146.19	11.69	157.38	12.91
	105	83.05	5.92	96.48	7.21	109.84	8.59	127.62	10.62	146.19	12.90	153.33	13.66
	110	83.05	6.57	96.48	8.00	109.84	9.54	127.62	11.82	144.76	14.14	148.57	14.53
115	83.05	7.26	96.48	8.88	109.84	10.63	127.62	13.17	129.52	14.72	129.52	14.82	
118	83.05	7.70	96.48	9.41	107.44	11.02	110.57	12.10	111.39	13.42	111.39	13.51	

NOTE - Power Input = Compressor + Outdoor Fan Motor.  
MBH = 1000 BTUs per hour.



## COOLING CAPACITY - TWO MODULE - VRA168H4

Combination (%)	Outdoor Temperature °F (Dry Bulb)	Indoor Temperature - °F (Dry Bulb / Wet Bulb)											
		67 / 57		71 / 60		75 / 63		80 / 67		85 / 71		90 / 75	
		Total Cap.	Power Input	Total Cap.	Power Input	Total Cap.	Power Input	Total Cap.	Power Input	Total Cap.	Power Input	Total Cap.	Power Input
		MBH	kW	MBH	kW	MBH	kW	MBH	kW	MBH	kW	MBH	kW
70%	25	72.67	2.60	84.45	2.98	96.13	3.38	112.38	3.95	127.62	4.54	143.81	5.15
	30	72.67	2.64	84.45	3.04	96.13	3.44	112.38	4.03	127.62	4.64	143.81	5.27
	35	72.67	2.69	84.45	3.10	96.13	3.52	112.38	4.12	127.62	4.75	143.81	5.39
	40	72.67	2.74	84.45	3.16	96.13	3.60	112.38	4.20	127.62	4.85	143.81	5.52
	45	72.67	2.80	84.45	3.23	96.13	3.68	112.38	4.31	127.62	4.97	143.81	5.66
	50	72.67	2.86	84.45	3.30	96.13	3.76	112.38	4.41	127.62	5.09	143.81	5.80
	55	72.67	2.92	84.45	3.37	96.13	3.85	112.38	4.52	127.62	5.22	143.81	5.96
	60	72.67	2.98	84.45	3.45	96.13	3.94	112.38	4.63	127.62	5.36	143.81	6.12
	65	72.67	3.08	84.45	3.58	96.13	4.09	112.38	4.82	127.62	5.59	143.81	6.38
	70	72.67	3.12	84.45	3.62	96.13	4.14	112.38	4.88	127.62	5.67	143.81	6.62
	75	72.67	3.20	84.45	3.71	96.13	4.29	112.38	5.19	127.62	6.20	143.81	7.28
	80	72.67	3.36	84.45	4.00	96.13	4.68	112.38	5.68	127.62	6.79	143.81	7.99
	85	72.67	3.64	84.45	4.35	96.13	5.10	112.38	6.20	127.62	7.42	143.81	8.75
	90	72.67	3.95	84.45	4.72	96.13	5.55	112.38	6.76	127.62	8.10	143.81	9.60
	95	72.67	4.27	84.45	5.12	96.13	6.03	112.38	7.36	127.62	8.84	143.81	10.46
	100	72.67	4.62	84.45	5.55	96.13	6.55	112.38	8.01	127.62	9.63	143.81	11.43
	105	72.67	5.04	84.45	6.07	96.13	7.17	112.38	8.78	127.62	10.61	143.81	12.59
	110	72.67	5.58	84.45	6.73	96.13	7.96	112.38	9.78	127.62	11.77	143.81	14.04
115	72.67	6.16	84.45	7.45	96.13	8.83	112.38	10.85	126.67	13.66	129.52	14.82	
118	72.67	6.53	84.45	7.89	96.13	9.36	101.14	10.35	111.39	12.73	111.39	13.51	
60%	25	62.29	2.28	72.43	2.59	82.54	2.91	96.19	3.37	109.05	3.85	122.86	4.35
	30	62.29	2.31	72.43	2.63	82.54	2.97	96.19	3.44	109.05	3.93	122.86	4.45
	35	62.29	2.36	72.43	2.69	82.54	3.03	96.19	3.51	109.05	4.02	122.86	4.55
	40	62.29	2.40	72.43	2.74	82.54	3.09	96.19	3.58	109.05	4.11	122.86	4.66
	45	62.29	2.45	72.43	2.79	82.54	3.15	96.19	3.67	109.05	4.21	122.86	4.77
	50	62.29	2.49	72.43	2.84	82.54	3.22	96.19	3.75	109.05	4.31	122.86	4.88
	55	62.29	2.54	72.43	2.91	82.54	3.29	96.19	3.84	109.05	4.41	122.86	5.00
	60	62.29	2.59	72.43	2.97	82.54	3.37	96.19	3.93	109.05	4.52	122.86	5.14
	65	62.29	2.68	72.43	3.08	82.54	3.50	96.19	4.08	109.05	4.70	122.86	5.35
	70	62.29	2.70	72.43	3.11	82.54	3.54	96.19	4.13	109.05	4.76	122.86	5.41
	75	62.29	2.76	72.43	3.18	82.54	3.62	96.19	4.26	109.05	5.04	122.86	5.88
	80	62.29	2.85	72.43	3.35	82.54	3.88	96.19	4.65	109.05	5.51	122.86	6.44
	85	62.29	3.09	72.43	3.63	82.54	4.22	96.19	5.07	109.05	6.02	122.86	7.04
	90	62.29	3.34	72.43	3.94	82.54	4.58	96.19	5.52	109.05	6.56	122.86	7.68
	95	62.29	3.60	72.43	4.26	82.54	4.97	96.19	6.00	109.05	7.13	122.86	8.37
	100	62.29	3.89	72.43	4.61	82.54	5.38	96.19	6.51	109.05	7.76	122.86	9.13
	105	62.29	4.23	72.43	5.03	82.54	5.89	96.19	7.13	109.05	8.52	122.86	10.04
	110	62.29	4.67	72.43	5.56	82.54	6.52	96.19	7.92	109.05	9.48	122.86	11.14
115	62.29	5.14	72.43	6.15	82.54	7.22	96.19	8.78	109.05	10.51	122.86	12.40	
118	62.29	5.45	72.43	6.51	82.54	7.65	96.19	9.31	100.32	10.25	111.39	11.91	
50%	25	51.90	1.96	60.40	2.20	68.95	2.45	80.00	2.79	90.48	3.17	101.90	3.55
	30	51.90	1.99	60.40	2.23	68.95	2.49	80.00	2.85	90.48	3.23	101.90	3.62
	35	51.90	2.02	60.40	2.27	68.95	2.53	80.00	2.91	90.48	3.29	101.90	3.71
	40	51.90	2.06	60.40	2.31	68.95	2.57	80.00	2.96	90.48	3.36	101.90	3.80
	45	51.90	2.09	60.40	2.35	68.95	2.63	80.00	3.03	90.48	3.44	101.90	3.88
	50	51.90	2.12	60.40	2.39	68.95	2.69	80.00	3.09	90.48	3.52	101.90	3.96
	55	51.90	2.16	60.40	2.45	68.95	2.74	80.00	3.15	90.48	3.59	101.90	4.05
	60	51.90	2.20	60.40	2.49	68.95	2.79	80.00	3.23	90.48	3.68	101.90	4.16
	65	51.90	2.28	60.40	2.59	68.95	2.90	80.00	3.33	90.48	3.82	101.90	4.33
	70	51.90	2.29	60.40	2.60	68.95	2.93	80.00	3.37	90.48	3.85	101.90	4.20
	75	51.90	2.32	60.40	2.65	68.95	2.95	80.00	3.33	90.48	3.88	101.90	4.47
	80	51.90	2.35	60.40	2.71	68.95	3.08	80.00	3.63	90.48	4.24	101.90	4.89
	85	51.90	2.54	60.40	2.92	68.95	3.34	80.00	3.95	90.48	4.61	101.90	5.32
	90	51.90	2.73	60.40	3.16	68.95	3.62	80.00	4.28	90.48	5.01	101.90	5.76
	95	51.90	2.93	60.40	3.41	68.95	3.91	80.00	4.63	90.48	5.43	101.90	6.28
	100	51.90	3.15	60.40	3.67	68.95	4.22	80.00	5.01	90.48	5.90	101.90	6.82
	105	51.90	3.42	60.40	3.99	68.95	4.60	80.00	5.48	90.48	6.43	101.90	7.50
	110	51.90	3.76	60.40	4.40	68.95	5.07	80.00	6.06	90.48	7.19	101.90	8.23
115	51.90	4.13	60.40	4.84	68.95	5.60	80.00	6.72	90.48	7.36	101.90	9.98	
118	51.90	4.37	60.40	5.14	68.95	5.94	80.00	7.12	90.48	7.80	101.90	10.57	

NOTE - Power Input = Compressor + Outdoor Fan Motor.  
MBH = 1000 BTUs per hour.



# HEATING CAPACITY - TWO MODULE - VRA168H4

Combination (%)	Outdoor Temperature (°F)		Indoor Temperature - °F Dry Bulb											
			61		64		67		70		73		75	
	Dry Bulb	Wet Bulb	Total Cap. MBH	Power Input kW	Total Cap. MBH	Power Input kW	Total Cap. MBH	Power Input kW	Total Cap. MBH	Power Input kW	Total Cap. MBH	Power Input kW	Total Cap. MBH	Power Input kW
130%	-13	-13	80.04	12.28	79.83	12.56	79.61	12.82	79.38	13.07	79.16	13.31	78.99	13.44
	-8	-9	94.42	13.91	94.17	14.17	93.91	14.41	93.64	14.64	93.38	14.87	93.17	15.00
	-3	-4	111.65	15.63	111.35	15.86	111.05	16.08	110.73	16.29	110.42	16.48	110.17	16.60
	2	1	124.77	17.08	124.45	17.26	124.09	17.44	123.79	17.60	123.42	17.75	123.20	17.85
	7	6	138.84	18.53	138.49	18.67	138.08	18.80	137.74	18.91	137.36	19.02	137.14	19.09
	12	10	151.38	19.62	151.02	19.69	150.59	19.76	150.24	19.82	149.84	19.88	149.61	19.92
	17	15	163.11	20.26	162.75	20.27	162.37	20.27	162.05	20.28	161.63	20.28	161.37	20.28
	22	20	173.40	19.73	173.03	19.73	172.65	19.74	172.22	19.74	171.90	19.75	171.64	19.75
	27	24	181.82	18.95	180.92	18.95	180.50	18.96	180.35	18.96	179.87	18.96	179.07	18.97
	32	29	190.54	17.56	189.93	17.57	189.36	17.57	189.09	17.57	188.74	17.58	188.23	17.58
	37	34	197.88	16.27	197.32	16.27	196.74	16.27	196.46	16.28	196.29	16.28	196.20	16.28
	42	38	215.40	15.23	214.00	15.23	212.48	15.24	208.92	15.24	208.03	15.24	206.51	15.24
	47	43	216.82	14.07	212.84	14.08	207.90	14.08	203.85	14.08	199.76	14.08	195.59	14.08
	52	47	224.95	13.60	220.03	13.60	215.11	13.61	210.19	13.61	205.28	13.61	200.18	13.61
	57	52	233.07	13.13	228.19	13.14	223.31	13.14	217.50	13.14	212.19	13.14	205.84	13.14
	62	56	240.00	12.82	235.14	12.82	230.28	12.83	223.54	12.83	216.72	12.83	206.79	12.22
	67	61	247.75	12.36	242.93	12.36	237.62	12.36	230.44	12.36	217.67	11.64	206.79	10.96
	72	66	255.40	11.90	250.62	11.90	244.83	11.90	234.00	11.41	217.67	10.48	206.79	9.88
75	69	260.13	11.67	255.36	11.67	250.60	11.67	236.14	10.88	217.67	9.82	206.79	9.26	
120%	-13	-13	79.67	12.74	79.46	12.96	79.27	13.18	79.10	13.40	78.87	13.60	78.74	13.72
	-8	-9	93.98	14.34	93.73	14.55	93.50	14.75	93.30	14.95	93.03	15.13	92.88	15.25
	-3	-4	111.13	16.01	110.83	16.20	110.57	16.38	110.33	16.56	110.01	16.71	109.83	16.81
	2	1	124.22	17.37	123.90	17.53	123.62	17.67	123.36	17.81	122.99	17.93	122.77	18.01
	7	6	138.23	18.75	137.89	18.87	137.57	18.96	137.29	19.06	136.89	19.15	136.65	19.21
	12	10	150.74	19.73	150.39	19.80	150.06	19.85	149.77	19.90	149.40	19.95	149.11	19.97
	17	15	162.63	20.27	162.20	20.27	161.86	20.28	161.46	20.28	161.14	20.29	160.89	20.29
	22	20	172.82	19.73	172.45	19.74	172.12	19.74	171.73	19.75	171.41	19.75	171.15	19.75
	27	24	180.53	18.95	180.40	18.96	180.29	18.96	180.18	18.97	178.97	18.97	178.89	18.97
	32	29	189.67	17.57	189.24	17.57	189.01	17.57	188.88	17.58	186.35	17.58	185.04	17.58
	37	34	198.78	16.27	196.63	16.28	196.34	16.28	196.20	16.28	192.60	16.28	188.71	16.28
	42	38	207.28	15.23	205.01	15.24	203.86	15.24	203.02	15.24	198.09	15.24	191.04	15.24
	47	43	219.19	14.50	214.83	14.41	211.33	14.24	206.57	14.24	200.99	14.25	190.88	14.25
	52	47	226.85	13.93	222.13	13.69	216.52	13.61	210.95	13.53	200.93	13.53	190.88	13.37
	57	52	231.43	13.20	226.83	13.05	220.43	12.90	214.10	12.76	200.93	12.64	190.88	12.03
	62	56	238.64	12.73	231.81	12.59	224.16	12.44	215.74	12.30	200.93	11.53	190.88	10.92
	67	61	245.11	12.29	236.87	12.07	226.88	11.93	216.00	11.33	200.93	10.60	190.88	9.94
	72	66	249.02	11.90	243.18	11.69	229.71	11.24	216.00	10.38	200.93	9.56	190.88	9.02
75	69	253.78	11.67	249.38	11.33	231.96	10.61	216.00	9.73	200.93	8.96	190.88	8.46	
110%	-13	-13	79.33	13.14	79.16	13.32	78.95	13.50	78.74	13.69	78.57	13.84	78.46	13.93
	-8	-9	93.58	14.71	93.37	14.88	93.13	15.04	92.88	15.22	92.68	15.36	92.55	15.44
	-3	-4	110.66	16.34	110.41	16.49	110.12	16.64	109.83	16.79	109.60	16.91	109.43	16.97
	2	1	123.70	17.64	123.45	17.76	123.14	17.88	122.82	18.00	122.56	18.09	122.39	18.14
	7	6	138.22	18.94	137.38	19.03	137.07	19.11	136.78	19.20	136.46	19.26	136.26	19.28
	12	10	151.38	19.83	149.86	19.88	149.54	19.93	149.23	19.97	148.91	19.99	148.71	19.99
	17	15	164.62	20.27	162.83	20.28	161.81	20.28	160.97	20.29	160.66	20.29	159.73	20.29
	22	20	176.56	19.74	174.70	19.74	172.17	19.75	171.15	19.75	170.85	19.76	169.24	19.76
	27	24	184.87	18.96	183.23	18.96	180.09	18.97	178.89	18.97	177.16	18.97	173.70	18.97
	32	29	193.03	17.57	191.30	17.57	187.59	17.58	186.18	17.58	182.25	17.58	174.38	17.58
	37	34	201.98	15.99	198.73	15.99	195.62	16.00	192.46	16.00	183.43	16.00	174.98	16.00
	42	38	211.60	14.88	206.78	14.89	202.82	14.89	196.69	14.89	184.19	14.89	174.98	14.89
	47	43	217.08	13.68	213.45	13.68	206.39	13.68	197.34	13.68	184.19	13.68	174.98	13.23
	52	47	221.88	13.37	216.91	13.37	209.83	13.37	197.53	13.37	184.19	12.82	174.98	12.06
	57	52	228.09	12.98	221.21	12.99	210.54	12.99	198.00	12.50	184.19	11.48	174.98	10.82
	62	56	233.13	12.68	223.11	12.68	211.81	12.43	198.00	11.48	184.19	10.55	174.98	9.95
	67	61	237.62	12.29	225.63	12.08	211.81	11.21	198.00	10.36	184.19	9.54	174.98	9.01
	72	66	240.43	11.72	225.63	10.93	211.81	10.15	198.00	9.40	184.19	8.66	174.98	8.19
75	69	243.89	11.38	225.63	10.24	211.81	9.52	198.00	8.82	184.19	8.14	174.98	7.69	

NOTE - Power Input = Compressor + Outdoor Fan Motor.  
MBH = 1000 BTUs per hour.

# HEATING CAPACITY - TWO MODULE - VRA168H4

Combination (%)	Outdoor Temperature (°F)		Indoor Temperature - °F Dry Bulb											
			61		64		67		70		73		75	
	Dry Bulb	Wet Bulb	Total Cap. MBH	Power Input kW	Total Cap. MBH	Power Input kW	Total Cap. MBH	Power Input kW	Total Cap. MBH	Power Input kW	Total Cap. MBH	Power Input kW	Total Cap. MBH	Power Input kW
100%	-13	-13	78.99	13.50	78.80	13.66	78.64	13.80	78.46	13.99	78.29	14.25	78.19	15.09
	-8	-9	93.17	15.05	92.96	15.19	92.76	15.33	92.55	15.51	92.36	15.76	92.24	16.62
	-3	-4	110.17	16.64	109.92	16.76	109.69	16.88	109.43	17.05	109.21	17.30	109.07	18.17
	2	1	123.20	17.88	122.88	17.98	122.66	18.08	122.39	18.22	122.12	18.46	122.01	19.46
	7	6	137.11	19.11	136.77	19.18	135.40	19.25	136.26	19.37	135.96	19.59	135.84	20.46
	12	10	150.82	19.93	149.90	19.97	147.78	20.00	148.71	20.09	148.22	20.22	147.61	20.61
	17	15	164.64	20.28	162.23	20.28	161.23	20.29	160.40	20.29	159.21	20.30	157.85	20.30
	22	20	175.86	19.75	173.35	19.75	172.31	19.75	170.66	19.76	166.35	19.76	158.77	19.76
	27	24	182.87	18.96	180.41	18.97	179.21	18.97	176.37	18.97	166.79	18.98	159.07	18.98
	32	29	191.46	17.58	185.55	17.58	182.94	17.58	177.50	17.58	167.44	17.59	159.07	17.59
	37	34	199.30	16.19	191.80	16.19	188.04	16.00	178.02	16.00	167.44	16.00	159.07	16.00
	42	38	203.58	15.24	196.42	15.07	189.04	14.89	178.36	14.89	167.44	14.72	159.07	14.11
	<b>47</b>	<b>43</b>	<b>208.77</b>	<b>14.24</b>	<b>199.97</b>	<b>14.08</b>	<b>189.97</b>	<b>13.84</b>	<b>180.00</b>	<b>13.68</b>	167.44	12.78	159.07	12.04
	52	47	210.60	13.69	201.72	13.53	191.40	13.22	180.00	12.47	167.44	11.60	159.07	10.81
	57	52	213.38	13.22	204.69	12.99	192.56	12.09	180.00	11.18	167.44	10.29	159.07	9.71
	62	56	216.05	12.68	205.12	11.96	192.56	11.11	180.00	10.28	167.44	9.47	159.07	8.95
	67	61	217.67	11.57	205.12	10.80	192.56	10.04	180.00	9.30	167.44	8.58	159.07	8.11
	72	66	217.67	10.48	205.12	9.78	192.56	9.11	180.00	8.44	167.44	7.80	159.07	7.38
	75	69	217.67	9.82	205.12	9.18	192.56	8.55	180.00	7.93	167.44	7.33	159.07	6.94
	90%	-13	-13	77.30	15.69	77.15	15.84	77.00	15.97	76.89	16.14	76.36	16.24	75.53
-8		-9	91.18	17.19	91.00	17.33	90.83	17.45	90.70	17.62	90.08	17.71	89.11	18.19
-3		-4	107.82	18.71	107.61	18.83	107.40	18.94	107.24	19.10	106.52	19.16	105.39	19.70
2		1	119.85	19.80	119.66	19.89	119.43	19.98	119.22	20.12	118.30	20.16	116.64	20.50
7		6	133.17	21.02	132.96	21.02	131.63	21.03	132.51	21.03	131.06	21.04	128.87	21.04
12		10	147.53	20.94	146.08	20.95	145.21	20.95	144.60	20.96	143.40	20.96	140.97	20.96
17		15	161.44	20.52	159.06	20.52	157.43	20.53	154.67	20.53	148.92	20.53	143.16	20.54
22		20	171.08	19.75	167.69	19.76	164.08	19.76	159.42	19.76	150.70	19.76	143.16	19.77
27		24	180.34	18.97	174.71	18.97	168.50	18.98	162.00	18.98	150.70	18.98	143.16	18.98
32		29	186.59	17.79	179.26	17.58	170.73	17.58	162.00	17.59	150.70	17.59	143.16	17.59
37		34	189.80	16.28	181.20	16.00	172.01	16.00	162.00	16.00	150.70	15.41	143.16	14.50
42		38	192.00	15.16	182.25	14.89	173.02	14.89	162.00	14.42	150.70	13.24	143.16	12.48
47		43	193.43	13.84	183.60	13.68	173.30	13.08	162.00	12.08	150.70	11.11	143.16	10.49
52		47	194.91	13.37	184.60	12.85	173.30	11.93	162.00	11.04	150.70	10.16	143.16	9.60
57		52	195.91	12.34	184.60	11.51	173.30	10.70	162.00	9.91	150.70	9.14	143.16	8.64
62		56	195.91	11.34	184.60	10.58	173.30	9.85	162.00	9.13	150.70	8.43	143.16	7.98
67		61	195.91	10.24	184.60	9.57	173.30	8.91	162.00	8.27	150.70	7.65	143.16	7.24
72		66	195.91	9.28	184.60	8.69	173.30	8.10	162.00	7.53	150.70	6.97	143.16	6.60
75		69	195.91	8.71	184.60	8.16	173.30	7.61	162.00	7.08	150.70	6.56	143.16	6.22
80%		-13	-13	75.73	16.51	75.58	16.67	75.43	16.81	75.35	17.00	74.84	17.11	74.02
	-8	-9	89.92	18.12	89.33	18.27	88.73	18.40	88.22	18.59	87.30	18.68	86.40	19.22
	-3	-4	106.46	19.75	105.36	19.87	104.25	19.99	103.23	20.17	101.84	20.24	100.85	20.83
	2	1	120.31	20.93	118.64	21.03	116.97	21.13	115.32	21.28	113.43	21.33	112.39	21.56
	7	6	135.54	21.76	133.21	21.76	130.84	21.77	128.49	21.77	125.67	21.78	122.88	21.78
	12	10	149.19	21.44	146.24	21.44	143.23	21.45	140.25	21.45	131.27	21.46	126.21	21.46
	17	15	156.92	20.88	153.48	20.89	150.07	20.89	144.00	20.89	133.95	20.89	127.26	20.90
	22	20	162.51	20.10	158.63	20.10	152.00	20.11	144.00	20.11	133.95	20.11	127.26	20.11
	27	24	168.20	18.97	160.05	18.98	152.00	18.98	144.00	18.98	133.95	18.98	127.26	18.78
	32	29	168.20	17.58	160.05	17.59	152.00	17.59	144.00	17.59	133.95	16.41	127.26	15.46
	37	34	168.20	16.00	160.05	16.00	152.00	15.82	144.00	14.60	133.95	13.43	127.26	12.66
	42	38	168.20	14.89	160.05	14.64	152.00	13.59	144.00	12.56	133.95	11.57	127.26	10.92
	47	43	168.20	13.15	160.05	12.26	152.00	11.40	144.00	10.56	133.95	9.74	127.26	9.20
	52	47	168.20	12.00	160.05	11.20	152.00	10.42	144.00	9.66	133.95	8.92	127.26	8.44
	57	52	168.20	10.76	160.05	10.05	152.00	9.37	144.00	8.70	133.95	8.04	127.26	7.61
	62	56	168.20	9.90	160.05	9.26	152.00	8.64	144.00	8.03	133.95	7.43	127.26	7.04
	67	61	168.20	8.96	160.05	8.39	152.00	7.83	144.00	7.29	133.95	6.76	127.26	6.41
	72	66	168.20	8.14	160.05	7.63	152.00	7.13	144.00	6.64	133.95	6.17	127.26	5.85
	75	69	168.20	7.65	160.05	7.18	152.00	6.71	144.00	6.26	133.95	5.81	127.26	5.52

NOTE - Power Input = Compressor + Outdoor Fan Motor.  
 MBH = 1000 BTUs per hour.

# HEATING CAPACITY - TWO MODULE - VRA168H4

Combination (%)	Outdoor Temperature (°F)		Indoor Temperature - °F Dry Bulb											
			61		64		67		70		73		75	
	Dry Bulb	Wet Bulb	Total Cap. MBH	Power Input kW	Total Cap. MBH	Power Input kW	Total Cap. MBH	Power Input kW	Total Cap. MBH	Power Input kW	Total Cap. MBH	Power Input kW	Total Cap. MBH	Power Input kW
70%	-13	-13	74.22	18.03	74.07	18.04	73.94	18.05	73.84	18.06	72.96	18.06	71.33	18.07
	-8	-9	88.21	19.16	87.63	19.17	87.07	19.17	86.53	19.18	85.18	19.19	83.17	19.19
	-3	-4	104.51	20.19	103.42	20.20	102.37	20.20	101.33	20.21	99.43	20.21	96.99	20.22
	2	1	118.41	20.92	116.76	20.92	115.15	20.92	112.60	20.93	109.05	20.93	106.04	20.94
	7	6	134.98	21.51	132.65	21.51	129.74	21.52	124.98	21.52	119.33	21.53	114.49	21.53
	12	10	148.19	21.45	144.04	21.45	138.33	21.46	131.57	21.46	123.53	21.46	118.08	21.46
	17	15	154.90	20.89	147.53	20.89	140.18	20.89	132.82	20.90	124.40	20.90	118.82	20.90
	22	20	154.90	20.11	147.53	20.11	140.18	20.11	132.82	20.11	124.52	20.05	118.29	18.86
	27	24	155.18	18.98	147.79	18.98	140.43	18.98	133.05	18.56	123.77	17.04	117.58	16.06
	32	29	147.55	17.59	140.52	17.59	133.53	16.53	126.51	15.28	117.69	14.06	111.80	13.27
	37	34	146.95	15.61	139.95	14.55	132.98	13.52	126.00	12.52	117.21	11.54	111.35	10.91
	42	38	146.95	13.42	139.95	12.52	132.98	11.65	126.00	10.80	117.21	9.97	111.35	9.43
	47	43	146.95	11.26	139.95	10.52	132.98	9.80	126.00	9.10	117.21	8.42	111.35	7.97
	52	47	146.95	10.29	139.95	9.63	132.98	8.98	126.00	8.35	117.21	7.73	111.35	7.33
	57	52	146.95	9.25	139.95	8.67	132.98	8.10	126.00	7.54	117.21	6.99	111.35	6.63
	62	56	146.95	8.53	139.95	8.00	132.98	7.48	126.00	6.97	117.21	6.47	111.35	6.14
	67	61	146.95	7.74	139.95	7.27	132.98	6.80	126.00	6.34	117.21	5.90	111.35	5.60
	72	66	146.95	7.05	139.95	6.62	132.98	6.21	126.00	5.79	117.21	5.39	111.35	5.13
75	69	146.95	6.64	139.95	6.24	132.98	5.85	126.00	5.47	117.21	5.09	111.35	4.85	
60%	-13	-13	72.74	18.05	72.59	18.06	72.47	18.06	72.37	18.07	71.50	18.07	69.90	18.08
	-8	-9	83.62	19.18	82.61	19.18	81.62	19.19	80.65	19.19	79.16	19.20	76.97	19.20
	-3	-4	98.83	20.20	96.76	20.21	94.71	20.21	92.68	20.22	90.40	20.22	87.46	20.22
	2	1	111.54	20.93	108.33	20.93	105.13	20.93	101.96	20.94	98.29	20.94	93.46	20.94
	7	6	119.94	21.52	115.65	21.52	111.38	21.53	107.11	21.53	100.47	21.53	95.44	21.54
	12	10	123.54	21.46	118.36	21.46	113.18	21.46	108.00	21.47	100.47	21.47	95.44	21.47
	17	15	126.00	20.90	120.00	20.90	114.00	20.90	108.00	20.90	100.47	20.07	95.44	18.89
	22	20	127.70	20.11	121.62	20.12	115.53	19.71	108.00	18.20	100.47	16.74	95.44	15.78
	27	24	128.22	18.98	121.62	18.05	115.53	16.76	108.00	15.51	100.47	14.29	95.44	13.49
	32	29	128.89	15.93	121.62	14.87	115.53	13.83	108.00	12.82	100.47	11.84	95.44	11.20
	37	34	128.89	13.04	121.62	12.19	115.53	11.36	108.00	10.55	100.47	9.76	95.44	9.24
	42	38	128.89	11.24	122.12	10.52	115.53	9.82	108.00	9.13	100.47	8.46	95.44	8.02
	47	43	130.60	9.47	123.07	8.87	115.53	8.29	108.00	7.72	100.47	7.16	95.44	6.80
	52	47	130.60	8.68	123.07	8.14	115.53	7.62	108.00	7.10	100.47	6.60	95.44	6.27
	57	52	130.60	7.83	123.07	7.35	115.53	6.89	108.00	6.43	100.47	5.98	95.44	5.69
	62	56	130.60	7.23	123.07	6.80	115.53	6.38	108.00	5.96	100.47	5.55	95.44	5.28
	67	61	130.60	6.58	123.07	6.19	115.53	5.81	108.00	5.44	100.47	5.07	95.44	4.83
	72	66	130.60	6.01	123.07	5.66	115.53	5.32	108.00	4.98	100.47	4.65	95.44	4.43
75	69	130.60	5.67	123.07	5.34	115.53	5.02	108.00	4.71	100.47	4.40	95.44	4.20	
50%	-13	-13	71.28	18.07	71.14	18.07	71.02	18.08	70.92	18.08	69.73	18.09	66.81	18.09
	-8	-9	79.70	19.19	79.15	19.20	77.98	19.20	77.06	19.21	75.05	19.21	71.80	19.21
	-3	-4	90.41	20.22	89.37	20.22	86.96	20.22	85.07	20.23	81.72	20.23	77.63	20.23
	2	1	96.20	21.11	94.68	21.11	91.05	21.12	88.20	21.12	83.72	21.12	79.53	21.12
	7	6	100.62	21.53	98.64	21.53	93.80	21.53	90.00	21.54	83.72	21.54	79.53	21.16
	12	10	103.02	21.21	100.62	21.21	94.67	21.22	90.00	21.11	83.72	19.38	79.53	18.26
	17	15	106.00	20.82	102.14	20.40	95.53	19.09	90.00	17.65	83.72	16.25	79.53	15.34
	22	20	107.75	18.36	102.56	17.14	96.28	15.94	90.00	14.78	83.72	13.64	79.53	12.90
	27	24	108.84	15.64	102.56	14.62	96.28	13.62	90.00	12.65	83.72	11.70	79.53	11.08
	32	29	108.84	12.93	102.56	12.11	96.28	11.30	90.00	10.52	83.72	9.75	79.53	9.24
	37	34	108.84	10.64	102.56	9.98	96.28	9.33	90.00	8.69	83.72	8.07	79.53	7.67
	42	38	108.84	9.21	102.56	8.64	96.28	8.09	90.00	7.55	83.72	7.02	79.53	6.67
	47	43	108.84	7.78	102.56	7.32	96.28	6.86	90.00	6.41	83.72	5.97	79.53	5.68
	52	47	108.84	7.16	102.56	6.73	96.28	6.32	90.00	5.91	83.72	5.52	79.53	5.25
	57	52	108.84	6.48	102.56	6.10	96.28	5.74	90.00	5.37	83.72	5.02	79.53	4.79
	62	56	108.84	6.00	102.56	5.66	96.28	5.32	90.00	4.99	83.72	4.67	79.53	4.46
	67	61	108.84	5.48	102.56	5.17	96.28	4.87	90.00	4.57	83.72	4.28	79.53	4.09
	72	66	108.84	5.02	102.56	4.74	96.28	4.47	90.00	4.20	83.72	3.94	79.53	3.76
75	69	108.84	4.74	102.56	4.48	96.28	4.23	90.00	3.98	83.72	3.73	79.53	3.57	

NOTE - Power Input = Compressor + Outdoor Fan Motor.  
MBH = 1000 BTUs per hour.

## COOLING CAPACITY - TWO MODULE - VRA192H4

Combination (%)	Outdoor Temperature °F (Dry Bulb)	Indoor Temperature - °F (Dry Bulb / Wet Bulb)											
		67 / 57		71 / 60		75 / 63		80 / 67		85 / 71		90 / 75	
		Total Cap.	Power Input	Total Cap.	Power Input	Total Cap.	Power Input	Total Cap.	Power Input	Total Cap.	Power Input	Total Cap.	Power Input
		MBH	kW	MBH	kW	MBH	kW	MBH	kW	MBH	kW	MBH	kW
130%	25	155.25	5.92	180.41	7.01	205.40	8.14	239.58	9.67	258.54	10.23	264.77	9.85
	30	155.25	6.05	180.41	7.17	205.40	8.32	239.58	9.87	254.44	10.16	260.67	9.78
	35	155.25	6.19	180.41	7.34	205.40	8.53	239.58	10.12	250.36	10.12	256.83	9.68
	40	155.25	6.33	180.41	7.52	205.40	8.74	239.58	10.36	246.29	10.07	253.00	9.59
	45	155.25	6.49	180.41	7.71	205.40	8.96	235.75	10.36	242.22	9.97	248.69	9.50
	50	155.25	6.65	180.41	7.91	205.40	9.19	231.92	10.36	238.15	9.87	244.38	9.41
	55	155.25	6.82	180.41	8.11	205.40	9.41	227.36	10.26	233.95	9.87	239.82	9.65
	60	155.25	7.00	180.41	8.33	205.40	9.70	223.29	10.36	229.76	10.31	236.23	10.41
	65	155.25	7.30	180.41	8.74	205.40	10.40	216.34	11.03	223.05	11.47	229.76	11.69
	70	155.25	7.47	180.41	9.27	203.49	11.03	214.67	11.71	221.38	11.81	228.08	11.91
	75	155.25	8.21	180.41	10.18	200.29	11.81	210.83	12.39	217.06	12.53	223.29	12.68
	80	155.25	8.99	180.41	11.21	197.74	12.66	207.00	13.12	213.23	13.29	219.46	13.43
	85	155.25	9.83	180.41	12.29	194.86	13.54	202.69	13.89	208.92	14.08	215.15	14.23
	90	155.25	10.74	179.87	13.39	191.75	14.45	198.38	14.66	204.60	14.81	210.83	14.95
	95	155.25	11.71	177.53	14.25	188.15	15.23	194.54	15.39	200.29	15.58	201.25	15.58
	100	155.25	12.80	174.12	15.09	183.60	15.96	189.27	16.12	191.43	16.19	191.43	16.19
	105	155.25	14.10	171.06	16.13	179.10	16.87	181.13	16.94	181.13	16.94	181.13	16.94
	110	155.25	15.68	166.75	17.35	170.58	17.91	170.58	17.91	170.58	17.91	170.58	17.91
115	147.58	18.00	147.58	18.00	147.58	18.07	148.54	18.10	148.54	18.10	148.54	18.10	
118	126.92	16.41	126.92	16.41	126.92	16.47	127.75	16.50	127.75	16.50	127.75	16.50	
120%	25	143.75	5.42	166.75	6.40	189.75	7.42	220.42	8.83	250.26	10.16	260.94	10.14
	30	143.75	5.54	166.75	6.55	189.75	7.59	220.42	9.04	248.21	10.26	256.83	10.07
	35	143.75	5.67	166.75	6.71	189.75	7.78	220.42	9.26	245.09	10.28	252.52	9.97
	40	143.75	5.80	166.75	6.87	189.75	7.96	220.42	9.49	241.98	10.31	248.21	9.87
	45	143.75	5.94	166.75	7.04	189.75	8.17	220.42	9.73	238.15	10.24	243.90	9.82
	50	143.75	6.08	166.75	7.21	189.75	8.38	220.42	9.97	234.31	10.16	239.58	9.78
	55	143.75	6.24	166.75	7.40	189.75	8.60	220.42	10.21	229.76	10.07	235.75	9.77
	60	143.75	6.40	166.75	7.60	189.75	8.83	219.46	10.41	225.69	10.31	231.44	10.36
	65	143.75	6.67	166.75	7.93	189.75	9.32	214.19	10.96	218.74	11.35	224.97	11.52
	70	143.75	6.75	166.75	8.29	189.75	9.97	211.79	11.62	217.06	11.71	223.29	11.81
	75	143.75	7.35	166.75	9.10	189.75	10.97	207.96	12.29	213.23	12.44	219.46	12.58
	80	143.75	8.05	166.75	10.00	189.59	12.07	203.41	13.04	209.40	13.21	214.91	13.33
	85	143.75	8.80	166.75	10.95	188.15	13.02	199.33	13.84	205.08	13.96	210.83	14.13
	90	143.75	9.61	166.75	11.97	185.28	13.90	195.26	14.57	200.77	14.71	206.76	14.86
	95	143.75	10.45	166.75	13.07	182.72	14.78	190.71	15.29	196.94	15.44	201.25	15.58
	100	143.75	11.42	166.75	14.25	179.69	15.68	186.88	16.04	190.71	16.19	191.43	16.19
	105	143.75	12.52	166.27	15.62	176.76	16.76	180.81	16.94	181.13	16.94	181.13	16.94
	110	143.75	13.94	163.16	16.84	170.26	17.87	170.58	17.91	170.58	17.91	170.58	17.91
115	143.75	15.58	146.63	17.40	147.58	18.07	148.54	18.10	148.54	18.10	148.54	18.10	
118	126.92	14.59	126.92	15.96	126.92	16.47	127.75	16.50	127.75	16.50	127.75	16.50	
110%	25	131.29	4.94	152.85	5.81	174.10	6.72	202.21	7.98	230.48	9.30	256.15	10.43
	30	131.29	5.04	152.85	5.94	174.10	6.88	202.21	8.17	230.48	9.52	252.04	10.36
	35	131.29	5.16	152.85	6.08	174.10	7.04	202.21	8.37	230.48	9.76	247.73	10.31
	40	131.29	5.28	152.85	6.23	174.10	7.21	202.21	8.58	230.48	9.99	243.42	10.26
	45	131.29	5.40	152.85	6.38	174.10	7.39	202.21	8.80	229.04	10.13	239.58	10.16
	50	131.29	5.53	152.85	6.54	174.10	7.58	202.21	9.02	227.60	10.26	235.75	10.07
	55	131.29	5.66	152.85	6.70	174.10	7.77	202.21	9.26	225.21	10.32	231.20	9.97
	60	131.29	5.81	152.85	6.88	174.10	7.99	202.21	9.51	221.85	10.41	227.13	10.26
	65	131.29	6.05	152.85	7.17	174.10	8.33	202.21	10.18	214.91	10.96	220.18	11.42
	70	131.29	6.13	152.85	7.36	174.10	8.79	202.21	10.94	213.23	11.66	218.50	11.71
	75	131.29	6.53	152.85	8.04	174.10	9.69	202.21	12.10	209.40	12.39	214.67	12.49
	80	131.29	7.16	152.85	8.82	174.10	10.63	199.57	13.02	205.20	13.12	210.83	13.21
	85	131.29	7.81	152.85	9.65	174.10	11.65	195.98	13.74	201.01	13.87	206.52	13.99
	90	131.29	8.52	152.85	10.55	174.10	12.74	191.67	14.47	196.82	14.62	202.21	14.76
	95	131.29	9.27	152.85	11.47	174.10	13.87	187.83	15.20	193.10	15.34	198.38	15.49
	100	131.29	10.14	152.85	12.57	172.82	15.01	183.28	15.92	188.19	16.12	191.43	16.19
	105	131.29	11.10	152.85	13.79	170.05	16.04	179.21	16.81	181.13	16.94	181.13	16.94
	110	131.29	12.29	152.85	15.34	167.07	17.39	170.58	17.91	170.58	17.91	170.58	17.91
115	131.29	13.74	143.51	16.94	147.58	18.07	148.54	18.10	148.54	18.10	148.54	18.10	
118	126.92	14.08	126.92	15.88	126.92	16.47	127.75	16.50	127.75	16.50	127.75	16.50	

NOTE - Power Input = Compressor + Outdoor Fan Motor.  
MBH = 1000 BTUs per hour.

## COOLING CAPACITY - TWO MODULE - VRA192H4

Combination (%)	Outdoor Temperature °F (Dry Bulb)	Indoor Temperature - °F (Dry Bulb / Wet Bulb)											
		67 / 57		71 / 60		75 / 63		80 / 67		85 / 71		90 / 75	
		Total Cap.	Power Input	Total Cap.	Power Input	Total Cap.	Power Input	Total Cap.	Power Input	Total Cap.	Power Input	Total Cap.	Power Input
		MBH	kW	MBH	kW	MBH	kW	MBH	kW	MBH	kW	MBH	kW
100%	25	119.79	4.47	139.20	5.24	158.44	6.04	184.00	7.16	209.88	8.33	235.75	9.53
	30	119.79	4.57	139.20	5.36	158.44	6.18	184.00	7.33	209.88	8.52	235.75	9.78
	35	119.79	4.67	139.20	5.48	158.44	6.33	184.00	7.51	209.88	8.73	235.75	10.02
	40	119.79	4.77	139.20	5.61	158.44	6.47	184.00	7.69	209.88	8.94	235.75	10.26
	45	119.79	4.88	139.20	5.74	158.44	6.63	184.00	7.88	209.88	9.18	233.35	10.31
	50	119.79	4.99	139.20	5.88	158.44	6.80	184.00	8.07	209.88	9.42	230.96	10.36
	55	119.79	5.11	139.20	6.03	158.44	6.97	184.00	8.29	209.88	9.66	227.13	10.33
	60	119.79	5.24	139.20	6.18	158.44	7.16	184.00	8.51	209.88	9.91	222.81	10.36
	65	119.79	5.45	139.20	6.44	158.44	7.47	184.00	8.89	208.80	10.60	216.34	11.03
	70	119.79	5.52	139.20	6.52	158.44	7.69	184.00	9.52	207.00	11.33	214.67	11.62
	75	119.79	5.78	139.20	7.06	158.44	8.44	184.00	10.45	205.08	12.24	209.88	12.39
	80	119.79	6.32	139.20	7.73	158.44	9.26	184.00	11.54	201.37	13.02	206.28	13.12
	85	119.79	6.89	139.20	8.45	158.44	10.15	184.00	12.63	197.18	13.77	202.21	13.89
	90	119.79	7.50	139.20	9.22	158.44	11.07	184.00	13.79	192.98	14.52	198.14	14.66
	95	119.79	8.16	139.20	10.03	158.44	12.07	184.00	15.10	188.79	15.25	193.58	15.39
	100	119.79	8.87	139.20	10.93	158.44	13.20	180.17	15.83	184.60	15.97	189.27	16.12
	105	119.79	9.75	139.20	12.02	158.44	14.50	175.38	16.71	179.85	16.89	181.13	16.94
	110	119.79	10.84	139.20	13.38	158.44	16.16	170.58	17.91	170.58	17.91	170.58	17.91
115	119.79	12.00	139.20	14.91	146.94	17.36	148.54	18.10	148.54	18.10	148.54	18.10	
118	119.79	12.72	122.49	13.90	126.92	15.89	127.75	16.50	127.75	16.50	127.75	16.50	
90%	25	107.33	4.03	124.58	4.69	142.47	5.38	165.79	6.36	188.79	7.37	211.79	8.43
	30	107.33	4.10	124.58	4.79	142.47	5.50	165.79	6.49	188.79	7.55	211.79	8.62
	35	107.33	4.19	124.58	4.90	142.47	5.63	165.79	6.65	188.79	7.73	211.79	8.84
	40	107.33	4.28	124.58	5.00	142.47	5.76	165.79	6.81	188.79	7.92	211.79	9.05
	45	107.33	4.38	124.58	5.12	142.47	5.90	165.79	6.98	188.79	8.12	211.79	9.29
	50	107.33	4.47	124.58	5.24	142.47	6.04	165.79	7.15	188.79	8.32	211.79	9.52
	55	107.33	4.58	124.58	5.37	142.47	6.19	165.79	7.35	188.79	8.54	211.79	9.75
	60	107.33	4.69	124.58	5.51	142.47	6.36	165.79	7.54	188.79	8.78	211.79	10.07
	65	107.33	4.87	124.58	5.73	142.47	6.63	165.79	7.86	188.79	9.22	211.79	10.82
	70	107.33	4.93	124.58	5.80	142.47	6.70	165.79	8.18	188.79	9.90	209.88	11.62
	75	107.33	5.06	124.58	6.14	142.47	7.30	165.79	8.99	188.79	10.89	206.04	12.29
	80	107.33	5.53	124.58	6.71	142.47	7.99	165.79	9.87	188.79	11.99	201.49	13.02
	85	107.33	6.02	124.58	7.33	142.47	8.73	165.79	10.84	188.31	13.07	197.42	13.74
	90	107.33	6.55	124.58	7.98	142.47	9.54	165.79	11.81	186.76	14.07	193.34	14.47
	95	107.33	7.11	124.58	8.69	142.47	10.36	165.79	12.87	184.48	15.10	188.79	15.29
	100	107.33	7.72	124.58	9.46	142.47	11.35	165.79	14.08	180.77	15.87	185.20	16.02
	105	107.33	8.45	124.58	10.36	142.47	12.44	165.79	15.52	176.65	16.76	180.49	16.91
	110	107.33	9.38	124.58	11.56	142.47	13.91	165.79	17.33	170.58	17.91	170.58	17.91
115	107.33	10.36	124.58	12.83	141.83	16.62	148.54	18.10	148.54	18.10	148.54	18.10	
118	107.33	10.98	122.09	13.32	123.40	15.32	127.75	16.50	127.75	16.50	127.75	16.50	
80%	25	95.55	3.60	110.86	4.16	126.18	4.75	147.58	5.58	168.19	6.45	188.79	7.36
	30	95.55	3.67	110.86	4.25	126.18	4.86	147.58	5.70	168.19	6.60	188.79	7.53
	35	95.55	3.74	110.86	4.34	126.18	4.96	147.58	5.84	168.19	6.76	188.79	7.71
	40	95.55	3.81	110.86	4.43	126.18	5.07	147.58	5.97	168.19	6.92	188.79	7.90
	45	95.55	3.90	110.86	4.53	126.18	5.19	147.58	6.12	168.19	7.10	188.79	8.10
	50	95.55	3.98	110.86	4.63	126.18	5.31	147.58	6.26	168.19	7.27	188.79	8.31
	55	95.55	4.07	110.86	4.74	126.18	5.44	147.58	6.43	168.19	7.46	188.79	8.53
	60	95.55	4.16	110.86	4.86	126.18	5.58	147.58	6.59	168.19	7.66	188.79	8.76
	65	95.55	4.32	110.86	5.05	126.18	5.81	147.58	6.87	168.19	7.99	188.79	9.19
	70	95.55	4.37	110.86	5.11	126.18	5.88	147.58	6.96	168.19	8.34	188.79	9.87
	75	95.55	4.47	110.86	5.30	126.18	6.23	147.58	7.63	168.19	9.18	188.79	10.84
	80	95.55	4.80	110.86	5.77	126.18	6.82	147.58	8.35	168.19	10.09	188.79	11.93
	85	95.55	5.22	110.86	6.29	126.18	7.44	147.58	9.13	168.19	11.03	188.79	13.07
	90	95.55	5.67	110.86	6.84	126.18	8.11	147.58	9.99	168.19	12.08	188.07	14.28
	95	95.55	6.14	110.86	7.44	126.18	8.83	147.58	10.84	168.19	13.16	184.96	15.10
	100	95.55	6.66	110.86	8.08	126.18	9.61	147.58	11.83	168.19	14.39	180.41	15.85
	105	95.55	7.28	110.86	8.85	126.18	10.52	147.58	13.07	167.87	15.79	176.33	16.81
	110	95.55	8.06	110.86	9.86	126.18	11.74	147.58	14.52	166.27	17.33	170.58	17.91
115	95.55	8.91	110.86	10.87	126.18	13.00	147.58	16.16	148.54	18.10	148.54	18.10	
118	95.55	9.45	110.86	11.52	123.40	13.48	127.75	14.83	127.75	16.50	127.75	16.50	

NOTE - Power Input = Compressor + Outdoor Fan Motor.  
MBH = 1000 BTUs per hour.



## COOLING CAPACITY - TWO MODULE - VRA192H4

Combination (%)	Outdoor Temperature °F (Dry Bulb)	Indoor Temperature - °F (Dry Bulb / Wet Bulb)											
		67 / 57		71 / 60		75 / 63		80 / 67		85 / 71		90 / 75	
		Total Cap.	Power Input	Total Cap.	Power Input	Total Cap.	Power Input	Total Cap.	Power Input	Total Cap.	Power Input	Total Cap.	Power Input
		MBH	kW	MBH	kW	MBH	kW	MBH	kW	MBH	kW	MBH	kW
70%	25	83.57	3.19	97.08	3.66	110.53	4.15	128.42	4.84	147.10	5.57	164.83	6.33
	30	83.57	3.24	97.08	3.73	110.53	4.23	128.42	4.95	147.10	5.69	164.83	6.48
	35	83.57	3.31	97.08	3.81	110.53	4.33	128.42	5.06	147.10	5.82	164.83	6.63
	40	83.57	3.37	97.08	3.88	110.53	4.42	128.42	5.17	147.10	5.96	164.83	6.79
	45	83.57	3.44	97.08	3.97	110.53	4.52	128.42	5.29	147.10	6.11	164.83	6.95
	50	83.57	3.50	97.08	4.05	110.53	4.62	128.42	5.41	147.10	6.25	164.83	7.12
	55	83.57	3.58	97.08	4.14	110.53	4.72	128.42	5.54	147.10	6.41	164.83	7.31
	60	83.57	3.65	97.08	4.23	110.53	4.84	128.42	5.68	147.10	6.58	164.83	7.51
	65	83.57	3.79	97.08	4.40	110.53	5.03	128.42	5.92	147.10	6.86	164.83	7.84
	70	83.57	3.82	97.08	4.44	110.53	5.08	128.42	5.99	147.10	6.96	164.83	8.14
	75	83.57	3.92	97.08	4.56	110.53	5.27	128.42	6.37	147.10	7.60	164.83	8.94
	80	83.57	4.12	97.08	4.90	110.53	5.74	128.42	6.97	147.10	8.33	164.83	9.81
	85	83.57	4.47	97.08	5.33	110.53	6.26	128.42	7.61	147.10	9.12	164.83	10.74
	90	83.57	4.85	97.08	5.80	110.53	6.81	128.42	8.30	147.10	9.95	164.83	11.78
	95	83.57	5.25	97.08	6.28	110.53	7.40	128.42	9.03	147.10	10.84	164.83	12.87
	100	83.57	5.67	97.08	6.81	110.53	8.04	128.42	9.83	147.10	11.82	164.83	13.99
	105	83.57	6.19	97.08	7.45	110.53	8.81	128.42	10.81	147.10	12.99	164.83	15.42
	110	83.57	6.84	97.08	8.26	110.53	9.75	128.42	12.00	147.10	14.52	164.83	17.23
115	83.57	7.56	97.08	9.14	110.53	10.84	128.42	13.36	145.67	16.75	148.54	18.10	
118	83.57	8.01	97.08	9.69	110.53	11.49	115.58	12.74	127.75	15.57	127.75	16.50	
60%	25	71.68	2.80	83.26	3.18	94.84	3.58	110.21	4.14	125.54	4.73	141.83	5.34
	30	71.68	2.85	83.26	3.24	94.84	3.65	110.21	4.22	125.54	4.83	141.83	5.46
	35	71.68	2.89	83.26	3.30	94.84	3.72	110.21	4.31	125.54	4.94	141.83	5.59
	40	71.68	2.94	83.26	3.36	94.84	3.79	110.21	4.40	125.54	5.04	141.83	5.71
	45	71.68	3.00	83.26	3.43	94.84	3.88	110.21	4.50	125.54	5.16	141.83	5.85
	50	71.68	3.06	83.26	3.49	94.84	3.96	110.21	4.60	125.54	5.29	141.83	5.99
	55	71.68	3.12	83.26	3.57	94.84	4.04	110.21	4.71	125.54	5.41	141.83	6.15
	60	71.68	3.18	83.26	3.65	94.84	4.14	110.21	4.82	125.54	5.55	141.83	6.31
	65	71.68	3.28	83.26	3.78	94.84	4.29	110.21	5.01	125.54	5.78	141.83	6.57
	70	71.68	3.32	83.26	3.82	94.84	4.34	110.21	5.07	125.54	5.84	141.83	6.65
	75	71.68	3.39	83.26	3.91	94.84	4.45	110.21	5.24	125.54	6.19	141.83	7.22
	80	71.68	3.51	83.26	4.11	94.84	4.77	110.21	5.72	125.54	6.77	141.83	7.91
	85	71.68	3.79	83.26	4.46	94.84	5.18	110.21	6.23	125.54	7.39	141.83	8.64
	90	71.68	4.10	83.26	4.84	94.84	5.63	110.21	6.78	125.54	8.05	141.83	9.43
	95	71.68	4.42	83.26	5.24	94.84	6.10	110.21	7.37	125.54	8.76	141.83	10.26
	100	71.68	4.78	83.26	5.66	94.84	6.61	110.21	7.99	125.54	9.54	141.83	11.23
	105	71.68	5.19	83.26	6.17	94.84	7.23	110.21	8.75	125.54	10.47	141.83	12.33
	110	71.68	5.73	83.26	6.83	94.84	8.00	110.21	9.68	125.54	11.62	141.83	13.74
115	71.68	6.31	83.26	7.54	94.84	8.86	110.21	10.74	125.54	12.92	141.83	15.29	
118	71.68	6.69	83.26	7.99	94.84	9.39	110.21	11.39	115.50	12.60	127.75	14.60	
50%	25	59.80	2.42	69.43	2.70	79.16	3.01	92.00	3.43	103.98	3.89	118.83	4.35
	30	59.80	2.45	69.43	2.75	79.16	3.06	92.00	3.49	103.98	3.97	118.83	4.44
	35	59.80	2.48	69.43	2.79	79.16	3.12	92.00	3.57	103.98	4.05	118.83	4.54
	40	59.80	2.52	69.43	2.84	79.16	3.17	92.00	3.64	103.98	4.13	118.83	4.64
	45	59.80	2.57	69.43	2.89	79.16	3.23	92.00	3.71	103.98	4.22	118.83	4.75
	50	59.80	2.61	69.43	2.94	79.16	3.29	92.00	3.78	103.98	4.32	118.83	4.86
	55	59.80	2.66	69.43	3.01	79.16	3.36	92.00	3.87	103.98	4.41	118.83	4.99
	60	59.80	2.71	69.43	3.07	79.16	3.44	92.00	3.96	103.98	4.51	118.83	5.11
	65	59.80	2.78	69.43	3.16	79.16	3.56	92.00	4.11	103.98	4.70	118.83	5.29
	70	59.80	2.82	69.43	3.20	79.16	3.59	92.00	4.15	103.98	4.72	118.83	5.16
	75	59.80	2.86	69.43	3.26	79.16	3.62	92.00	4.10	103.98	4.78	118.83	5.50
	80	59.80	2.90	69.43	3.32	79.16	3.79	92.00	4.46	103.98	5.20	118.83	6.00
	85	59.80	3.11	69.43	3.59	79.16	4.11	92.00	4.84	103.98	5.66	118.83	6.53
	90	59.80	3.35	69.43	3.88	79.16	4.44	92.00	5.26	103.98	6.15	118.83	7.08
	95	59.80	3.60	69.43	4.19	79.16	4.80	92.00	5.70	103.98	6.68	118.83	7.65
	100	59.80	3.88	69.43	4.51	79.16	5.19	92.00	6.15	103.98	7.26	118.83	8.47
	105	59.80	4.20	69.43	4.90	79.16	5.65	92.00	6.70	103.98	7.96	118.83	9.23
	110	59.80	4.62	69.43	5.39	79.16	6.26	92.00	7.36	103.98	8.71	118.83	10.26
115	59.80	5.06	69.43	5.93	79.16	6.88	92.00	8.13	103.98	9.10	118.83	12.49	
118	59.80	5.37	69.43	6.29	79.16	7.29	92.00	8.62	103.98	9.64	118.83	13.24	

NOTE - Power Input = Compressor + Outdoor Fan Motor.  
MBH = 1000 BTUs per hour.



# HEATING CAPACITY - TWO MODULE - VRA192H4

Combination (%)	Outdoor Temperature (°F)		Indoor Temperature - °F Dry Bulb											
			61		64		67		70		73		75	
	Dry Bulb	Wet Bulb	Total Cap. MBH	Power Input kW	Total Cap. MBH	Power Input kW	Total Cap. MBH	Power Input kW	Total Cap. MBH	Power Input kW	Total Cap. MBH	Power Input kW	Total Cap. MBH	Power Input kW
130%	-13	-13	90.70	12.61	90.43	13.06	90.17	13.48	89.88	13.86	89.61	14.24	89.39	14.47
	-8	-9	107.84	14.67	107.51	15.09	107.20	15.49	106.86	15.84	106.53	16.20	106.27	16.41
	-3	-4	128.48	16.83	128.08	17.20	127.72	17.55	127.31	17.87	126.92	18.18	126.62	18.36
	2	1	143.12	18.90	142.70	19.18	142.25	19.45	141.91	19.71	141.42	19.95	141.17	20.10
	7	6	157.93	20.63	157.50	20.84	156.96	21.02	156.58	21.19	156.06	21.36	155.80	21.47
	12	10	173.14	22.27	172.69	22.38	172.14	22.48	171.74	22.58	171.20	22.67	170.93	22.73
	17	15	185.04	22.87	184.59	22.87	184.16	22.88	183.83	22.89	183.29	22.89	183.02	22.90
	22	20	197.56	22.53	197.10	22.54	196.68	22.54	196.13	22.55	195.79	22.55	195.52	22.56
	27	24	206.41	21.85	204.93	21.85	204.44	21.86	204.44	21.86	203.78	21.86	202.46	21.87
	32	29	215.09	20.46	214.22	20.46	213.42	20.47	213.16	20.47	212.77	20.48	212.00	20.48
	37	34	223.58	19.30	222.87	19.30	222.00	19.30	221.69	19.31	221.69	19.31	221.69	19.31
	42	38	245.38	18.08	244.80	18.09	243.83	18.09	237.74	18.09	237.36	18.10	236.61	18.10
	47	43	240.42	16.65	234.97	16.66	229.52	16.66	224.07	16.66	218.62	16.66	214.99	16.67
	52	47	249.23	15.99	243.78	16.00	238.33	16.00	232.88	16.00	227.43	16.00	223.80	16.00
	57	52	260.25	15.41	254.80	15.41	249.35	15.42	243.90	15.42	238.45	15.42	234.81	15.42
	62	56	269.06	15.07	263.61	15.07	258.16	15.08	252.71	15.08	247.26	15.08	236.66	14.37
	67	61	280.08	14.50	274.63	14.50	269.18	14.51	263.73	14.51	249.12	13.66	236.66	12.86
72	66	291.09	13.94	285.64	13.94	280.19	13.94	267.80	13.36	249.12	12.27	236.66	11.57	
75	69	297.70	13.69	292.25	13.69	286.80	13.69	270.24	12.76	249.12	11.52	236.66	10.87	
120%	-13	-13	90.25	13.35	89.98	13.69	89.72	14.04	89.51	14.37	89.26	14.70	89.10	14.89
	-8	-9	107.30	15.36	106.97	15.68	106.67	16.02	106.42	16.33	106.12	16.62	105.93	16.80
	-3	-4	127.84	17.43	127.45	17.73	127.08	18.02	126.79	18.29	126.44	18.54	126.20	18.70
	2	1	142.47	19.36	142.05	19.60	141.67	19.83	141.36	20.05	140.87	20.24	140.62	20.36
	7	6	157.16	20.95	156.72	21.12	156.32	21.28	156.00	21.44	155.48	21.56	155.22	21.65
	12	10	172.34	22.45	171.89	22.54	171.47	22.62	171.14	22.72	170.70	22.77	170.33	22.81
	17	15	184.43	22.88	183.98	22.88	183.56	22.89	183.02	22.89	182.68	22.90	182.41	22.90
	22	20	196.95	22.54	196.49	22.54	196.07	22.55	195.52	22.55	195.18	22.56	194.91	22.56
	27	24	204.44	21.85	204.44	21.86	204.44	21.86	204.44	21.86	202.46	21.87	202.46	21.87
	32	29	213.93	20.47	213.35	20.47	213.16	20.47	213.16	20.48	212.00	20.48	212.00	20.48
	37	34	222.63	19.30	221.92	19.31	221.69	19.31	221.69	19.31	217.75	19.31	215.89	19.32
	42	38	232.15	18.09	231.32	18.09	231.04	18.09	231.04	18.10	225.43	18.10	218.75	18.10
	47	43	246.77	17.48	243.91	17.32	240.94	16.98	235.51	16.98	230.07	16.98	218.46	16.99
	52	47	256.48	16.63	251.15	16.16	245.82	16.00	240.49	15.85	229.95	15.85	218.46	15.53
	57	52	260.57	15.54	255.39	15.25	250.21	14.96	245.03	14.66	229.95	14.65	218.46	14.06
	62	56	269.65	14.88	261.90	14.60	254.25	14.32	246.70	14.04	229.95	13.32	218.46	12.67
	67	61	278.27	14.36	267.78	13.93	257.49	13.65	247.20	13.14	229.95	12.43	218.46	11.61
72	66	283.82	13.94	276.01	13.53	261.80	13.16	247.20	12.16	229.95	11.19	218.46	10.56	
75	69	290.43	13.69	285.40	13.01	265.47	12.44	247.20	11.42	229.95	10.52	218.46	9.93	
110%	-13	-13	89.84	13.95	89.59	14.25	89.35	14.55	89.10	14.83	88.89	15.07	88.73	15.22
	-8	-9	106.81	15.93	106.52	16.21	106.23	16.49	105.93	16.76	105.68	16.97	105.49	17.09
	-3	-4	127.25	17.94	126.91	18.19	126.56	18.43	126.20	18.67	125.91	18.84	125.68	18.93
	2	1	141.73	19.77	141.45	19.97	141.11	20.15	140.72	20.35	140.34	20.48	140.16	20.52
	7	6	156.38	21.23	156.09	21.37	155.74	21.50	155.41	21.64	154.94	21.71	154.76	21.72
	12	10	171.54	22.59	171.24	22.66	170.87	22.74	170.53	22.80	170.14	22.83	169.87	22.80
	17	15	183.62	22.88	183.17	22.89	182.88	22.89	182.41	22.90	182.07	22.90	181.80	22.91
	22	20	196.13	22.55	195.67	22.55	195.39	22.55	194.91	22.56	194.57	22.56	194.30	22.57
	27	24	204.44	21.86	204.44	21.86	203.12	21.87	202.46	21.87	202.46	21.87	200.25	21.88
	32	29	213.16	20.47	213.16	20.47	212.39	20.48	212.00	20.48	209.94	20.48	200.25	20.49
	37	34	226.12	18.74	221.69	18.75	221.69	18.75	219.80	18.75	210.79	18.75	200.25	18.76
	42	38	238.41	17.40	233.64	17.40	232.25	17.40	226.60	17.40	210.79	17.40	200.25	17.41
	47	43	246.21	15.87	243.55	15.87	237.56	15.87	226.60	15.87	210.79	15.88	200.25	15.34
	52	47	250.43	15.53	247.87	15.54	242.41	15.54	226.60	15.54	210.79	14.89	200.25	14.02
	57	52	258.00	15.12	253.16	15.12	242.41	15.12	226.60	14.55	210.79	13.36	200.25	12.59
	62	56	264.71	14.78	255.64	14.78	242.41	14.49	226.60	13.38	210.79	12.31	200.25	11.61
	67	61	270.85	14.36	258.22	14.11	242.41	13.10	226.60	12.11	210.79	11.15	200.25	10.53
72	66	274.03	13.73	258.22	12.80	242.41	11.89	226.60	11.01	210.79	10.15	200.25	9.59	
75	69	279.12	13.35	258.22	12.01	242.41	11.17	226.60	10.34	210.79	9.54	200.25	9.02	

NOTE - Power Input = Compressor + Outdoor Fan Motor.  
MBH = 1000 BTUs per hour.

## HEATING CAPACITY - TWO MODULE - VRA192H4

Combination (%)	Outdoor Temperature (°F)		Indoor Temperature - °F Dry Bulb											
			61		64		67		70		73		75	
	Dry Bulb	Wet Bulb	Total Cap. MBH	Power Input kW	Total Cap. MBH	Power Input kW	Total Cap. MBH	Power Input kW	Total Cap. MBH	Power Input kW	Total Cap. MBH	Power Input kW	Total Cap. MBH	Power Input kW
100%	-13	-13	89.39	14.54	89.17	14.79	88.96	15.03	88.73	15.33	88.54	15.50	88.40	16.28
	-8	-9	106.27	16.48	106.01	16.71	105.77	16.93	105.49	17.23	105.26	17.38	105.10	18.25
	-3	-4	126.62	18.42	126.31	18.62	126.01	18.82	125.68	19.10	125.41	19.21	125.22	20.17
	2	1	141.17	20.15	140.76	20.30	140.49	20.46	140.16	20.71	139.82	20.78	139.69	21.82
	7	6	155.80	21.50	155.37	21.61	155.09	21.72	154.76	21.93	154.38	21.95	154.25	23.05
	12	10	170.93	22.73	170.59	22.80	170.25	22.86	169.87	23.01	169.56	22.96	169.33	23.39
	17	15	182.81	22.89	182.51	22.90	182.14	22.90	181.80	22.90	181.46	22.91	181.19	22.91
	22	20	195.32	22.55	195.01	22.56	194.64	22.56	194.30	22.56	191.63	22.57	182.05	22.57
	27	24	202.46	21.86	202.46	21.87	202.46	21.87	202.46	21.87	191.63	21.88	182.05	21.88
	32	29	212.00	20.48	207.84	20.48	206.83	20.48	203.30	20.48	191.63	20.49	182.05	20.49
	37	34	223.90	19.12	217.37	19.13	213.82	18.75	203.76	18.76	191.63	18.76	182.05	18.76
	42	38	229.72	18.10	223.64	17.75	215.50	17.40	204.16	17.41	191.63	17.06	182.05	16.49
	47	43	237.01	16.98	227.94	16.67	216.54	16.19	206.00	15.87	191.63	15.00	182.05	14.13
	52	47	239.09	16.16	229.94	15.85	219.05	15.23	206.00	14.49	191.63	13.58	182.05	12.56
	57	52	243.22	15.57	234.26	15.12	220.37	14.08	206.00	13.01	191.63	11.98	182.05	11.30
	62	56	247.26	14.78	234.74	13.95	220.37	12.96	206.00	11.99	191.63	11.05	182.05	10.43
	67	61	249.12	13.53	234.74	12.62	220.37	11.73	206.00	10.87	191.63	10.03	182.05	9.48
	72	66	249.12	12.27	234.74	11.46	220.37	10.67	206.00	9.89	191.63	9.14	182.05	8.65
	75	69	249.12	11.52	234.74	10.77	220.37	10.03	206.00	9.31	191.63	8.60	182.05	8.15
	90%	-13	-13	87.48	15.99	87.30	16.27	87.13	16.53	86.95	16.87	86.77	17.05	86.63
-8		-9	104.01	18.13	103.79	18.39	103.59	18.63	103.38	18.95	103.15	19.11	103.00	20.07
-3		-4	123.91	20.26	123.66	20.48	123.41	20.70	123.16	21.01	122.90	21.13	122.71	22.19
2		1	136.76	22.16	136.49	22.33	136.22	22.51	135.96	22.78	135.62	22.86	135.50	23.52
7		6	149.39	24.00	149.11	24.00	148.84	24.01	148.57	24.01	148.20	24.02	148.08	24.02
12		10	163.91	24.05	163.62	24.05	163.35	24.06	163.08	24.06	162.77	24.07	162.55	24.07
17		15	175.50	23.36	175.21	23.36	174.85	23.37	174.53	23.37	169.02	23.37	163.84	23.38
22		20	185.28	22.56	184.99	22.56	182.83	22.57	180.70	22.57	172.47	22.57	163.84	22.57
27		24	199.42	21.87	195.15	21.87	189.57	21.88	185.40	21.88	172.47	21.88	163.84	21.88
32		29	208.67	20.89	201.77	20.48	193.87	20.49	185.40	20.49	172.47	20.49	163.84	20.49
37		34	213.38	19.32	205.52	18.75	195.83	18.76	185.40	18.76	172.47	18.06	163.84	17.00
42		38	217.69	17.92	207.58	17.40	197.79	17.41	185.40	16.85	172.47	15.48	163.84	14.59
47		43	219.87	16.19	209.66	15.88	198.33	15.17	185.40	14.02	172.47	12.89	163.84	12.16
52		47	222.37	15.54	211.27	14.93	198.33	13.86	185.40	12.82	172.47	11.81	163.84	11.15
57		52	224.20	14.37	211.27	13.40	198.33	12.46	185.40	11.54	172.47	10.64	163.84	10.06
62		56	224.20	13.22	211.27	12.34	198.33	11.48	185.40	10.65	172.47	9.83	163.84	9.30
67		61	224.20	11.96	211.27	11.18	198.33	10.42	185.40	9.67	172.47	8.94	163.84	8.46
72		66	224.20	10.88	211.27	10.17	198.33	9.49	185.40	8.82	172.47	8.16	163.84	7.73
75		69	224.20	10.22	211.27	9.57	198.33	8.93	185.40	8.31	172.47	7.70	163.84	7.30
80%		-13	-13	85.69	17.59	85.51	17.90	85.32	18.18	85.21	18.55	85.03	18.76	84.90
	-8	-9	101.88	19.94	101.67	20.23	101.44	20.49	101.31	20.85	101.09	21.03	100.93	22.08
	-3	-4	121.38	22.29	121.12	22.53	120.85	22.77	120.70	23.11	120.44	23.24	120.25	24.40
	2	1	133.93	24.38	133.66	24.57	133.39	24.76	133.13	25.06	132.89	25.14	132.77	25.61
	7	6	146.22	25.45	146.00	25.45	145.68	25.46	145.38	25.46	144.51	25.47	143.15	25.47
	12	10	160.71	25.02	160.47	25.03	160.13	25.03	159.82	25.03	150.24	25.04	145.64	25.04
	17	15	170.71	24.07	170.43	24.07	170.20	24.07	164.80	24.08	153.30	24.08	145.64	24.08
	22	20	181.59	23.24	180.44	23.25	173.96	23.25	164.80	23.25	153.30	23.25	145.64	23.26
	27	24	192.65	21.88	183.21	21.88	173.96	21.88	164.80	21.88	153.30	21.89	145.64	21.65
	32	29	192.65	20.49	183.21	20.49	173.96	20.49	164.80	20.49	153.30	19.12	145.64	18.01
	37	34	192.65	18.76	183.21	18.76	173.96	18.54	164.80	17.12	153.30	15.74	145.64	14.84
	42	38	192.65	17.41	183.21	17.11	173.96	15.88	164.80	14.68	153.30	13.52	145.64	12.76
	47	43	192.65	15.26	183.21	14.23	173.96	13.22	164.80	12.25	153.30	11.29	145.64	10.67
	52	47	192.65	13.94	183.21	13.01	173.96	12.11	164.80	11.22	153.30	10.36	145.64	9.80
	57	52	192.65	12.52	183.21	11.71	173.96	10.90	164.80	10.12	153.30	9.36	145.64	8.86
	62	56	192.65	11.54	183.21	10.80	173.96	10.07	164.80	9.36	153.30	8.66	145.64	8.21
	67	61	192.65	10.47	183.21	9.81	173.96	9.15	164.80	8.52	153.30	7.89	145.64	7.49
	72	66	192.65	9.54	183.21	8.94	173.96	8.35	164.80	7.78	153.30	7.22	145.64	6.86
	75	69	192.65	8.98	183.21	8.42	173.96	7.87	164.80	7.34	153.30	6.82	145.64	6.48

NOTE - Power Input = Compressor + Outdoor Fan Motor.  
 MBH = 1000 BTUs per hour.

# HEATING CAPACITY - TWO MODULE - VRA192H4

Combination (%)	Outdoor Temperature (°F)		Indoor Temperature - °F Dry Bulb											
			61		64		67		70		73		75	
	Dry Bulb	Wet Bulb	Total Cap. MBH	Power Input kW	Total Cap. MBH	Power Input kW	Total Cap. MBH	Power Input kW	Total Cap. MBH	Power Input kW	Total Cap. MBH	Power Input kW	Total Cap. MBH	Power Input kW
70%	-13	-13	83.98	20.59	83.80	20.60	83.67	20.60	83.51	20.61	82.59	20.62	80.84	20.62
	-8	-9	99.84	21.99	99.63	21.99	99.47	22.00	99.28	22.01	98.19	22.02	96.11	22.02
	-3	-4	118.95	23.16	118.70	23.16	118.51	23.17	118.29	23.17	116.99	23.18	114.51	23.18
	2	1	131.67	24.34	131.40	24.35	131.20	24.35	129.13	24.36	125.61	24.36	122.55	24.36
	7	6	146.67	24.95	146.40	24.96	144.93	24.96	139.87	24.96	133.42	24.97	127.43	24.97
	12	10	160.30	25.03	157.67	25.03	151.96	25.04	144.20	25.04	134.14	25.05	127.43	25.05
	17	15	168.23	24.07	160.22	24.08	152.21	24.08	144.20	24.08	134.14	24.09	127.43	24.09
	22	20	168.23	23.25	160.22	23.25	152.21	23.25	144.20	23.26	134.14	23.18	127.43	21.81
	27	24	168.23	21.88	160.22	21.88	152.21	21.89	144.20	21.40	134.14	19.65	127.43	18.51
	32	29	168.23	20.49	160.22	20.49	152.21	19.26	144.20	17.80	134.14	16.38	127.43	15.46
	37	34	168.23	18.30	160.22	17.06	152.21	15.85	144.20	14.68	134.14	13.53	127.43	12.79
	42	38	168.23	15.68	160.22	14.64	152.21	13.62	144.20	12.62	134.14	11.66	127.43	11.02
	47	43	168.23	13.06	160.22	12.21	152.21	11.37	144.20	10.56	134.14	9.77	127.43	9.25
	52	47	168.23	11.96	160.22	11.19	152.21	10.44	144.20	9.70	134.14	8.98	127.43	8.51
	57	52	168.23	10.77	160.22	10.09	152.21	9.42	144.20	8.77	134.14	8.14	127.43	7.72
	62	56	168.23	9.95	160.22	9.33	152.21	8.72	144.20	8.13	134.14	7.54	127.43	7.16
	67	61	168.23	9.05	160.22	8.49	152.21	7.95	144.20	7.41	134.14	6.89	127.43	6.55
72	66	168.23	8.26	160.22	7.76	152.21	7.27	144.20	6.79	134.14	6.32	127.43	6.01	
75	69	168.23	7.78	160.22	7.32	152.21	6.86	144.20	6.41	134.14	5.97	127.43	5.68	
60%	-13	-13	82.30	20.61	82.13	20.61	81.99	20.62	81.84	20.63	80.94	20.63	79.23	20.64
	-8	-9	94.41	22.00	93.26	22.01	92.14	22.02	91.00	22.02	89.40	22.03	87.01	22.03
	-3	-4	114.05	23.17	111.64	23.18	109.27	23.18	106.88	23.19	104.34	23.19	101.00	23.19
	2	1	129.29	24.35	125.55	24.36	121.84	24.36	118.11	24.37	113.48	24.37	107.04	24.37
	7	6	138.46	24.96	133.50	24.97	128.55	24.97	123.60	24.97	114.98	24.98	109.23	24.98
	12	10	141.43	25.04	135.48	25.04	129.54	25.05	123.60	25.05	114.98	25.05	109.23	25.06
	17	15	144.20	24.08	137.33	24.08	130.47	24.09	123.60	24.09	114.98	23.13	109.23	21.78
	22	20	146.14	23.26	139.18	23.26	132.22	22.79	123.60	21.04	114.98	19.35	109.23	18.25
	27	24	146.14	21.89	139.18	20.81	132.22	19.32	123.60	17.88	114.98	16.47	109.23	15.55
	32	29	146.14	18.56	139.18	17.32	132.22	16.12	123.60	14.94	114.98	13.79	109.23	13.05
	37	34	146.14	15.29	139.18	14.29	132.22	13.32	123.60	12.37	114.98	11.44	109.23	10.83
	42	38	146.14	13.14	139.18	12.30	132.22	11.47	123.60	10.67	114.98	9.88	109.23	9.37
	47	43	149.47	10.98	140.85	10.29	132.22	9.62	123.60	8.96	114.98	8.31	109.23	7.89
	52	47	149.47	10.08	140.85	9.46	132.22	8.85	123.60	8.25	114.98	7.66	109.23	7.28
	57	52	149.47	9.11	140.85	8.56	132.22	8.02	123.60	7.48	114.98	6.96	109.23	6.62
	62	56	149.47	8.44	140.85	7.93	132.22	7.43	123.60	6.95	114.98	6.47	109.23	6.16
	67	61	149.47	7.69	140.85	7.24	132.22	6.79	123.60	6.35	114.98	5.93	109.23	5.64
72	66	149.47	7.04	140.85	6.63	132.22	6.23	123.60	5.83	114.98	5.45	109.23	5.19	
75	69	149.47	6.65	140.85	6.27	132.22	5.89	123.60	5.52	114.98	5.16	109.23	4.92	
50%	-13	-13	80.66	20.63	80.49	20.63	80.35	20.64	80.20	20.64	79.32	20.65	76.46	20.65
	-8	-9	89.98	22.02	89.35	22.03	87.94	22.03	86.94	22.04	85.08	22.04	81.81	22.05
	-3	-4	103.89	23.19	102.69	23.19	99.71	23.19	97.69	23.20	93.90	23.20	89.20	23.21
	2	1	110.16	24.37	108.42	24.37	103.94	24.37	100.94	24.38	95.81	24.38	91.02	24.38
	7	6	115.21	24.97	112.94	24.98	106.97	24.98	103.00	24.98	95.81	24.99	91.02	24.24
	12	10	117.94	24.55	115.18	24.55	107.86	24.55	103.00	24.44	95.81	22.43	91.02	21.13
	17	15	121.81	24.09	117.37	23.71	108.72	22.00	103.00	20.34	95.81	18.73	91.02	17.68
	22	20	123.31	21.23	117.37	19.82	110.19	18.43	103.00	17.08	95.81	15.77	91.02	14.91
	27	24	124.56	18.03	117.37	16.86	110.19	15.70	103.00	14.58	95.81	13.49	91.02	12.77
	32	29	124.56	15.07	117.37	14.11	110.19	13.17	103.00	12.25	95.81	11.35	91.02	10.77
	37	34	124.56	12.47	117.37	11.69	110.19	10.93	103.00	10.19	95.81	9.46	91.02	8.99
	42	38	124.56	10.76	117.37	10.10	110.19	9.45	103.00	8.82	95.81	8.20	91.02	7.80
	47	43	124.56	9.03	117.37	8.49	110.19	7.96	103.00	7.44	95.81	6.93	91.02	6.59
	52	47	124.56	8.31	117.37	7.82	110.19	7.34	103.00	6.87	95.81	6.41	91.02	6.10
	57	52	124.56	7.54	117.37	7.11	110.19	6.68	103.00	6.26	95.81	5.84	91.02	5.57
	62	56	124.56	7.00	117.37	6.60	110.19	6.21	103.00	5.82	95.81	5.44	91.02	5.20
	67	61	124.56	6.40	117.37	6.04	110.19	5.69	103.00	5.34	95.81	5.00	91.02	4.78
72	66	124.56	5.88	117.37	5.55	110.19	5.24	103.00	4.92	95.81	4.61	91.02	4.41	
75	69	124.56	5.56	117.37	5.26	110.19	4.96	103.00	4.67	95.81	4.38	91.02	4.19	

NOTE - Power Input = Compressor + Outdoor Fan Motor.  
MBH = 1000 BTUs per hour.

## COOLING CAPACITY - TWO MODULE - VRA216H4

Combination (%)	Outdoor Temperature °F (Dry Bulb)	Indoor Temperature - °F (Dry Bulb / Wet Bulb)											
		67 / 57		71 / 60		75 / 63		80 / 67		85 / 71		90 / 75	
		Total Cap.	Power Input	Total Cap.	Power Input	Total Cap.	Power Input	Total Cap.	Power Input	Total Cap.	Power Input	Total Cap.	Power Input
		MBH	kW	MBH	kW	MBH	kW	MBH	kW	MBH	kW	MBH	kW
130%	25	173.57	6.90	202.19	8.18	230.16	9.47	267.99	11.32	289.93	11.97	296.60	11.47
	30	173.57	7.06	202.19	8.36	230.16	9.72	267.99	11.59	285.16	11.87	291.83	11.40
	35	173.57	7.22	202.19	8.57	230.16	9.95	267.99	11.87	280.39	11.80	287.54	11.31
	40	173.57	7.39	202.19	8.77	230.16	10.18	267.99	12.15	275.62	11.73	283.25	11.21
	45	173.57	7.58	202.19	9.00	230.16	10.44	263.70	12.11	271.09	11.64	278.48	11.12
	50	173.57	7.76	202.19	9.22	230.16	10.71	259.41	12.06	266.56	11.54	273.71	11.02
	55	173.57	7.96	202.19	9.44	230.16	11.01	254.64	11.97	261.79	11.51	268.94	11.28
	60	173.57	8.17	202.19	9.71	230.16	11.29	249.87	12.11	257.26	12.04	264.18	12.15
	65	173.57	8.52	202.19	10.22	230.16	12.14	242.24	12.96	250.23	13.42	256.55	13.59
	70	173.57	8.72	202.19	10.80	227.62	12.81	241.29	13.66	247.96	13.76	254.64	13.95
	75	173.57	9.61	202.19	11.94	224.44	13.79	236.52	14.51	243.19	14.65	249.87	14.79
	80	173.57	10.48	202.19	13.08	221.26	14.81	231.75	15.34	238.43	15.50	246.06	15.71
	85	173.57	11.50	202.19	14.36	218.08	15.81	226.98	16.21	233.66	16.40	241.29	16.58
	90	173.57	12.58	201.65	15.65	214.66	16.87	222.21	17.08	229.25	17.29	235.80	17.46
	95	173.57	13.66	198.61	16.63	210.77	17.75	217.44	18.00	224.60	18.19	226.03	18.19
	100	173.57	14.96	195.03	17.64	206.00	18.66	211.96	18.82	214.11	18.89	214.11	18.89
	105	173.57	16.43	191.46	18.76	200.38	19.66	202.50	19.76	202.50	19.76	202.50	19.76
	110	173.57	18.37	186.45	20.21	190.74	20.82	191.69	20.82	191.69	20.82	191.69	20.92
115	164.99	21.01	164.99	21.01	165.63	21.07	165.94	21.11	166.42	21.11	166.90	21.20	
118	141.89	19.15	141.89	19.15	142.44	19.21	142.71	19.24	143.12	19.24	143.53	19.33	
120%	25	160.22	6.32	186.69	7.47	212.68	8.66	247.01	10.28	280.39	11.87	291.83	11.85
	30	160.22	6.46	186.69	7.64	212.68	8.86	247.01	10.55	278.00	11.97	287.06	11.78
	35	160.22	6.61	186.69	7.83	212.68	9.07	247.01	10.79	274.67	11.99	282.30	11.68
	40	160.22	6.77	186.69	8.01	212.68	9.28	247.01	11.02	271.33	12.01	277.53	11.59
	45	160.22	6.93	186.69	8.21	212.68	9.54	247.01	11.35	266.80	11.94	273.24	11.50
	50	160.22	7.10	186.69	8.42	212.68	9.80	247.01	11.68	262.27	11.87	268.94	11.40
	55	160.22	7.27	186.69	8.63	212.68	10.03	247.01	11.94	257.50	11.77	264.18	11.40
	60	160.22	7.47	186.69	8.86	212.68	10.30	245.58	12.15	252.73	12.01	259.41	12.06
	65	160.22	7.79	186.69	9.23	212.68	10.90	239.14	12.65	245.10	13.22	251.78	13.50
	70	160.22	7.88	186.69	9.67	212.68	11.65	236.52	13.57	243.67	13.66	249.87	13.85
	75	160.22	8.57	186.69	10.62	212.68	12.81	232.70	14.42	238.90	14.56	245.10	14.70
	80	160.22	9.39	186.69	11.64	212.52	14.09	227.94	15.24	234.13	15.41	240.33	15.55
	85	160.22	10.27	186.69	12.74	210.77	15.17	223.17	16.11	229.37	16.30	236.04	16.49
	90	160.22	11.21	186.69	13.97	207.59	16.21	218.40	16.98	224.95	17.20	231.75	17.36
	95	160.22	12.25	186.69	15.22	204.41	17.21	213.63	17.90	220.31	18.04	226.03	18.19
	100	160.22	13.33	186.69	16.64	201.23	18.29	208.86	18.75	213.39	18.89	214.11	18.89
	105	160.22	14.67	185.73	18.18	197.63	19.54	202.19	19.76	202.50	19.76	202.50	19.76
	110	160.22	16.30	182.40	19.69	190.42	20.82	191.69	20.82	191.69	20.82	191.69	20.92
115	160.22	18.19	163.80	20.31	165.63	21.07	165.94	21.11	166.42	21.11	166.90	21.20	
118	141.89	17.07	141.89	18.65	142.44	19.21	142.71	19.24	143.12	19.24	143.53	19.33	
110%	25	146.87	5.76	171.19	6.78	195.19	7.84	226.98	9.31	258.45	10.85	287.06	12.13
	30	146.87	5.89	171.19	6.93	195.19	8.02	226.98	9.52	258.45	11.12	282.30	12.06
	35	146.87	6.02	171.19	7.10	195.19	8.22	226.98	9.75	258.45	11.38	277.53	11.97
	40	146.87	6.15	171.19	7.26	195.19	8.41	226.98	9.99	258.45	11.64	272.76	11.87
	45	146.87	6.30	171.19	7.44	195.19	8.63	226.98	10.27	256.78	11.78	267.99	11.83
	50	146.87	6.44	171.19	7.63	195.19	8.84	226.98	10.55	255.12	11.92	263.22	11.78
	55	146.87	6.61	171.19	7.82	195.19	9.05	226.98	10.79	252.49	12.03	259.41	11.66
	60	146.87	6.78	171.19	8.03	195.19	9.32	226.98	11.07	248.44	12.13	254.64	11.97
	65	146.87	7.06	171.19	8.37	195.19	9.77	226.98	11.85	240.81	12.84	247.01	13.40
	70	146.87	7.14	171.19	8.59	195.19	10.25	226.98	12.81	238.90	13.57	245.10	13.66
	75	146.87	7.63	171.19	9.40	195.19	11.31	226.98	14.13	234.13	14.46	240.33	14.60
	80	146.87	8.35	171.19	10.30	195.19	12.41	224.12	15.15	229.48	15.30	235.56	15.45
	85	146.87	9.11	171.19	11.29	195.19	13.58	219.35	16.02	225.31	16.18	230.80	16.35
	90	146.87	9.92	171.19	12.28	195.19	14.85	214.58	16.89	220.78	17.03	226.03	17.24
	95	146.87	10.84	171.19	13.45	195.19	16.27	209.81	17.71	216.01	17.95	222.21	18.09
	100	146.87	11.78	171.19	14.66	193.44	17.50	205.05	18.63	210.89	18.79	214.11	18.89
	105	146.87	12.91	171.19	16.09	190.74	18.72	200.28	19.69	202.50	19.76	202.50	19.76
	110	146.87	14.42	171.19	17.95	186.93	20.26	191.69	20.82	191.69	20.82	191.69	20.92
115	146.87	16.02	160.46	19.76	165.63	21.07	165.94	21.11	166.42	21.11	166.90	21.20	
118	141.89	16.40	141.89	18.53	142.44	19.21	142.71	19.24	143.12	19.24	143.53	19.33	

NOTE - Power Input = Compressor + Outdoor Fan Motor.  
MBH = 1000 BTUs per hour.

## COOLING CAPACITY - TWO MODULE - VRA216H4

Combination (%)	Outdoor Temperature °F (Dry Bulb)	Indoor Temperature - °F (Dry Bulb / Wet Bulb)											
		67 / 57		71 / 60		75 / 63		80 / 67		85 / 71		90 / 75	
		Total Cap.	Power Input	Total Cap.	Power Input	Total Cap.	Power Input	Total Cap.	Power Input	Total Cap.	Power Input	Total Cap.	Power Input
		MBH	kW	MBH	kW	MBH	kW	MBH	kW	MBH	kW	MBH	kW
100%	25	133.52	5.23	154.98	6.12	176.75	7.05	206.00	8.35	235.09	9.72	264.18	11.13
	30	133.52	5.33	154.98	6.25	176.75	7.21	206.00	8.55	235.09	9.94	264.18	11.40
	35	133.52	5.45	154.98	6.40	176.75	7.38	206.00	8.75	235.09	10.20	264.18	11.68
	40	133.52	5.57	154.98	6.54	176.75	7.55	206.00	8.96	235.09	10.46	264.18	11.97
	45	133.52	5.70	154.98	6.70	176.75	7.74	206.00	9.19	235.09	10.72	261.31	12.06
	50	133.52	5.82	154.98	6.86	176.75	7.93	206.00	9.42	235.09	10.98	258.45	12.15
	55	133.52	5.96	154.98	7.03	176.75	8.14	206.00	9.66	235.09	11.27	253.69	12.04
	60	133.52	6.11	154.98	7.21	176.75	8.35	206.00	9.94	235.09	11.59	249.39	12.11
	65	133.52	6.36	154.98	7.52	176.75	8.71	206.00	10.44	234.02	12.40	242.96	12.96
	70	133.52	6.44	154.98	7.61	176.75	8.95	206.00	11.12	231.75	13.19	240.33	13.57
	75	133.52	6.74	154.98	8.24	176.75	9.82	206.00	12.25	229.84	14.32	235.56	14.42
	80	133.52	7.37	154.98	9.02	176.75	10.81	206.00	13.45	225.55	15.19	230.80	15.34
	85	133.52	8.04	154.98	9.85	176.75	11.81	206.00	14.75	220.78	16.04	226.03	16.21
	90	133.52	8.75	154.98	10.74	176.75	12.92	206.00	16.11	216.01	16.93	221.26	17.08
	95	133.52	9.52	154.98	11.71	176.75	14.07	<b>206.00</b>	<b>17.62</b>	211.25	17.76	216.49	18.00
	100	133.52	10.34	154.98	12.80	176.75	15.41	201.23	18.47	206.48	18.68	211.25	18.82
	105	133.52	11.34	154.98	14.05	176.75	16.92	196.46	19.54	201.39	19.71	202.50	19.76
	110	133.52	12.63	154.98	15.66	176.75	18.88	191.69	20.82	191.69	20.82	191.69	20.92
115	133.52	14.04	154.98	17.36	164.67	20.23	165.94	21.11	166.42	21.11	166.90	21.20	
118	133.52	14.88	136.38	16.19	142.44	18.55	142.71	19.24	143.12	19.24	143.53	19.33	
90%	25	120.17	4.70	139.48	5.48	159.27	6.28	185.02	7.42	211.72	8.61	237.47	9.81
	30	120.17	4.80	139.48	5.59	159.27	6.42	185.02	7.59	211.72	8.81	237.47	10.08
	35	120.17	4.89	139.48	5.72	159.27	6.57	185.02	7.77	211.72	9.04	237.47	10.32
	40	120.17	4.99	139.48	5.84	159.27	6.72	185.02	7.95	211.72	9.26	237.47	10.55
	45	120.17	5.11	139.48	5.98	159.27	6.89	185.02	8.15	211.72	9.49	237.47	10.84
	50	120.17	5.22	139.48	6.12	159.27	7.05	185.02	8.35	211.72	9.72	237.47	11.12
	55	120.17	5.34	139.48	6.26	159.27	7.23	185.02	8.57	211.72	9.95	237.47	11.38
	60	120.17	5.47	139.48	6.42	159.27	7.41	185.02	8.80	211.72	10.25	237.47	11.73
	65	120.17	5.68	139.48	6.69	159.27	7.73	185.02	9.18	211.72	10.75	237.47	12.72
	70	120.17	5.75	139.48	6.77	159.27	7.82	185.02	9.52	211.72	11.54	235.56	13.47
	75	120.17	5.91	139.48	7.16	159.27	8.51	185.02	10.46	211.72	12.72	230.80	14.32
	80	120.17	6.45	139.48	7.84	159.27	9.30	185.02	11.52	211.72	13.97	226.03	15.24
	85	120.17	7.02	139.48	8.55	159.27	10.18	185.02	12.63	211.01	15.24	221.26	16.07
	90	120.17	7.64	139.48	9.34	159.27	11.14	185.02	13.80	208.86	16.41	216.49	16.96
	95	120.17	8.30	139.48	10.13	159.27	12.12	185.02	15.08	206.48	17.62	211.72	17.81
	100	120.17	9.00	139.48	11.03	159.27	13.23	185.02	16.42	202.30	18.52	206.95	18.66
	105	120.17	9.86	139.48	12.10	159.27	14.50	185.02	18.09	197.89	19.58	201.55	19.72
	110	120.17	10.93	139.48	13.47	159.27	16.21	185.02	20.16	191.69	20.82	191.69	20.92
115	120.17	12.15	139.48	14.98	159.27	19.38	165.94	21.11	166.42	21.11	166.90	21.20	
118	120.17	12.88	136.38	15.53	138.56	17.87	142.71	19.24	143.12	19.24	143.53	19.33	
80%	25	106.81	4.20	123.98	4.86	141.78	5.55	164.99	6.51	187.88	7.53	210.77	8.59
	30	106.81	4.28	123.98	4.96	141.78	5.67	164.99	6.65	187.88	7.70	210.77	8.79
	35	106.81	4.36	123.98	5.06	141.78	5.79	164.99	6.81	187.88	7.89	210.77	9.00
	40	106.81	4.45	123.98	5.17	141.78	5.92	164.99	6.96	187.88	8.08	210.77	9.22
	45	106.81	4.55	123.98	5.29	141.78	6.06	164.99	7.14	187.88	8.28	210.77	9.46
	50	106.81	4.65	123.98	5.41	141.78	6.20	164.99	7.31	187.88	8.48	210.77	9.71
	55	106.81	4.74	123.98	5.53	141.78	6.35	164.99	7.50	187.88	8.71	210.77	9.94
	60	106.81	4.85	123.98	5.67	141.78	6.51	164.99	7.69	187.88	8.94	210.77	10.22
	65	106.81	5.04	123.98	5.89	141.78	6.78	164.99	8.02	187.88	9.31	210.77	10.79
	70	106.81	5.09	123.98	5.96	141.78	6.86	164.99	8.12	187.88	9.74	210.77	11.50
	75	106.81	5.22	123.98	6.19	141.78	7.27	164.99	8.89	187.88	10.74	210.77	12.72
	80	106.81	5.60	123.98	6.74	141.78	7.96	164.99	9.78	187.88	11.77	210.77	13.92
	85	106.81	6.09	123.98	7.34	141.78	8.67	164.99	10.65	187.88	12.89	210.77	15.26
	90	106.81	6.61	123.98	7.99	141.78	9.47	164.99	11.66	187.88	14.07	210.77	16.68
	95	106.81	7.16	123.98	8.67	141.78	10.28	164.99	12.72	187.88	15.41	206.95	17.62
	100	106.81	7.77	123.98	9.41	141.78	11.19	164.99	13.83	187.88	16.78	202.19	18.54
	105	106.81	8.49	123.98	10.30	141.78	12.30	164.99	15.23	187.88	18.45	197.42	19.54
	110	106.81	9.40	123.98	11.47	141.78	13.66	164.99	16.96	185.97	20.26	191.69	20.92
115	106.81	10.36	123.98	12.70	141.78	15.23	164.99	18.84	166.42	21.11	166.90	21.20	
118	106.81	10.99	123.98	13.46	138.56	15.78	142.71	17.28	143.12	19.24	143.53	19.33	

NOTE - Power Input = Compressor + Outdoor Fan Motor.  
MBH = 1000 BTUs per hour.



## COOLING CAPACITY - TWO MODULE - VRA216H4

Combination (%)	Outdoor Temperature °F (Dry Bulb)	Indoor Temperature - °F (Dry Bulb / Wet Bulb)											
		67 / 57		71 / 60		75 / 63		80 / 67		85 / 71		90 / 75	
		Total Cap.	Power Input	Total Cap.	Power Input	Total Cap.	Power Input	Total Cap.	Power Input	Total Cap.	Power Input	Total Cap.	Power Input
		MBH	kW	MBH	kW	MBH	kW	MBH	kW	MBH	kW	MBH	kW
70%	25	93.56	3.72	108.51	4.27	123.66	4.84	144.01	5.65	164.51	6.50	185.02	7.39
	30	93.56	3.79	108.51	4.35	123.66	4.94	144.01	5.77	164.51	6.64	185.02	7.55
	35	93.56	3.86	108.51	4.44	123.66	5.04	144.01	5.90	164.51	6.80	185.02	7.73
	40	93.56	3.93	108.51	4.53	123.66	5.15	144.01	6.03	164.51	6.95	185.02	7.91
	45	93.56	4.01	108.51	4.63	123.66	5.27	144.01	6.17	164.51	7.13	185.02	8.12
	50	93.56	4.09	108.51	4.73	123.66	5.38	144.01	6.31	164.51	7.30	185.02	8.32
	55	93.56	4.17	108.51	4.83	123.66	5.51	144.01	6.47	164.51	7.48	185.02	8.53
	60	93.56	4.27	108.51	4.94	123.66	5.65	144.01	6.63	164.51	7.68	185.02	8.76
	65	93.56	4.42	108.51	5.14	123.66	5.87	144.01	6.90	164.51	8.01	185.02	9.14
	70	93.56	4.47	108.51	5.19	123.66	5.94	144.01	6.99	164.51	8.12	185.02	9.52
	75	93.56	4.57	108.51	5.32	123.66	6.15	144.01	7.43	164.51	8.88	185.02	10.46
	80	93.56	4.81	108.51	5.73	123.66	6.70	144.01	8.14	164.51	9.74	185.02	11.42
	85	93.56	5.22	108.51	6.23	123.66	7.31	144.01	8.88	164.51	10.65	185.02	12.53
	90	93.56	5.66	108.51	6.76	123.66	7.95	144.01	9.65	164.51	11.62	185.02	13.71
	95	93.56	6.12	108.51	7.33	123.66	8.63	144.01	10.55	164.51	12.63	185.02	14.98
	100	93.56	6.62	108.51	7.95	123.66	9.38	144.01	11.50	164.51	13.80	185.02	16.32
	105	93.56	7.22	108.51	8.69	123.66	10.26	144.01	12.56	164.51	15.17	185.02	18.00
	110	93.56	7.99	108.51	9.63	123.66	11.43	144.01	14.04	164.51	16.91	185.02	20.07
115	93.56	8.82	108.51	10.69	123.66	12.69	144.01	15.55	163.08	19.55	166.90	21.20	
118	93.56	9.35	108.51	11.33	123.66	13.45	129.61	14.83	143.12	18.19	143.53	19.33	
60%	25	80.21	3.27	93.01	3.71	106.18	4.18	123.98	4.82	140.67	5.52	158.31	6.23
	30	80.21	3.33	93.01	3.78	106.18	4.26	123.98	4.92	140.67	5.63	158.31	6.37
	35	80.21	3.38	93.01	3.85	106.18	4.34	123.98	5.03	140.67	5.76	158.31	6.52
	40	80.21	3.44	93.01	3.92	106.18	4.43	123.98	5.14	140.67	5.88	158.31	6.67
	45	80.21	3.51	93.01	4.00	106.18	4.52	123.98	5.25	140.67	6.03	158.31	6.83
	50	80.21	3.57	93.01	4.08	106.18	4.61	123.98	5.37	140.67	6.17	158.31	6.99
	55	80.21	3.63	93.01	4.17	106.18	4.72	123.98	5.49	140.67	6.32	158.31	7.17
	60	80.21	3.71	93.01	4.26	106.18	4.83	123.98	5.63	140.67	6.47	158.31	7.36
	65	80.21	3.83	93.01	4.41	106.18	5.01	123.98	5.85	140.67	6.74	158.31	7.67
	70	80.21	3.87	93.01	4.45	106.18	5.06	123.98	5.92	140.67	6.82	158.31	7.76
	75	80.21	3.96	93.01	4.56	106.18	5.19	123.98	6.11	140.67	7.22	158.31	8.42
	80	80.21	4.09	93.01	4.80	106.18	5.56	123.98	6.67	140.67	7.90	158.31	9.22
	85	80.21	4.42	93.01	5.21	106.18	6.05	123.98	7.27	140.67	8.62	158.31	10.08
	90	80.21	4.78	93.01	5.65	106.18	6.57	123.98	7.91	140.67	9.41	158.31	11.02
	95	80.21	5.16	93.01	6.11	106.18	7.12	123.98	8.59	140.67	10.22	158.31	11.97
	100	80.21	5.57	93.01	6.61	106.18	7.71	123.98	9.33	140.67	11.12	158.31	13.05
	105	80.21	6.06	93.01	7.20	106.18	8.43	123.98	10.24	140.67	12.22	158.31	14.38
	110	80.21	6.69	93.01	7.97	106.18	9.33	123.98	11.31	140.67	13.57	158.31	16.02
115	80.21	7.37	93.01	8.80	106.18	10.32	123.98	12.63	140.67	15.08	158.31	17.81	
118	80.21	7.81	93.01	9.33	106.18	10.94	123.98	13.38	129.42	14.70	143.53	17.11	
50%	25	66.85	2.82	77.51	3.16	88.69	3.51	103.95	4.00	116.83	4.53	131.61	5.08
	30	66.85	2.86	77.51	3.20	88.69	3.57	103.95	4.07	116.83	4.62	131.61	5.19
	35	66.85	2.91	77.51	3.26	88.69	3.64	103.95	4.16	116.83	4.72	131.61	5.31
	40	66.85	2.95	77.51	3.31	88.69	3.70	103.95	4.24	116.83	4.81	131.61	5.43
	45	66.85	3.00	77.51	3.37	88.69	3.77	103.95	4.33	116.83	4.93	131.61	5.55
	50	66.85	3.05	77.51	3.43	88.69	3.84	103.95	4.43	116.83	5.04	131.61	5.66
	55	66.85	3.10	77.51	3.51	88.69	3.92	103.95	4.51	116.83	5.15	131.61	5.81
	60	66.85	3.16	77.51	3.57	88.69	4.01	103.95	4.62	116.83	5.27	131.61	5.95
	65	66.85	3.25	77.51	3.67	88.69	4.14	103.95	4.80	116.83	5.47	131.61	6.20
	70	66.85	3.28	77.51	3.72	88.69	4.18	103.95	4.84	116.83	5.51	131.61	6.01
	75	66.85	3.34	77.51	3.80	88.69	4.22	103.95	4.78	116.83	5.57	131.61	6.39
	80	66.85	3.38	77.51	3.87	88.69	4.41	103.95	5.20	116.83	6.05	131.61	7.01
	85	66.85	3.62	77.51	4.19	88.69	4.79	103.95	5.66	116.83	6.59	131.61	7.63
	90	66.85	3.90	77.51	4.53	88.69	5.19	103.95	6.17	116.83	7.19	131.61	8.34
	95	66.85	4.20	77.51	4.89	88.69	5.60	103.95	6.63	116.83	7.82	131.61	8.95
	100	66.85	4.51	77.51	5.26	88.69	6.05	103.95	7.17	116.83	8.43	131.61	9.78
	105	66.85	4.90	77.51	5.72	88.69	6.60	103.95	7.91	116.83	9.27	131.61	10.77
	110	66.85	5.39	77.51	6.31	88.69	7.23	103.95	8.57	116.83	10.22	131.61	11.97
115	66.85	5.92	77.51	6.92	88.69	7.95	103.95	9.71	116.83	10.60	131.61	14.42	
118	66.85	6.27	77.51	7.34	88.69	8.42	103.95	10.29	116.83	11.24	131.61	15.28	

NOTE - Power Input = Compressor + Outdoor Fan Motor.  
MBH = 1000 BTUs per hour.

## HEATING CAPACITY - TWO MODULE - VRA216H4

Combination (%)	Outdoor Temperature (°F)		Indoor Temperature - °F Dry Bulb											
			61		64		67		70		73		75	
	Dry Bulb	Wet Bulb	Total Cap. MBH	Power Input kW	Total Cap. MBH	Power Input kW	Total Cap. MBH	Power Input kW	Total Cap. MBH	Power Input kW	Total Cap. MBH	Power Input kW	Total Cap. MBH	Power Input kW
130%	-13	-13	97.35	12.82	96.98	13.34	96.77	13.77	96.52	14.23	96.18	14.67	96.07	14.94
	-8	-9	113.97	14.79	113.53	15.27	113.29	15.69	113.00	16.11	112.60	16.51	112.47	16.75
	-3	-4	133.94	17.11	133.43	17.54	133.14	17.92	132.79	18.29	132.33	18.63	132.18	18.84
	2	1	147.88	19.17	147.34	19.50	146.86	19.81	146.40	20.11	146.09	20.35	145.81	20.52
	7	6	161.76	21.04	161.20	21.29	160.64	21.52	160.35	21.71	159.84	21.88	159.52	21.99
	12	10	175.96	22.83	175.39	22.96	174.78	23.08	174.47	23.16	173.97	23.24	173.62	23.29
	17	15	191.53	23.71	190.95	23.72	190.62	23.72	189.97	23.73	189.54	23.74	189.08	23.74
	22	20	201.03	23.24	200.45	23.25	200.13	23.25	199.39	23.26	199.06	23.27	198.62	23.27
	27	24	212.92	22.65	212.11	22.66	211.60	22.66	211.37	22.67	210.65	22.67	209.93	22.68
	32	29	223.71	21.45	223.07	21.45	222.48	21.46	222.01	21.46	221.54	21.46	220.98	21.47
	37	34	235.95	20.58	235.43	20.58	234.79	20.59	234.32	20.59	234.01	20.59	233.85	20.60
	42	38	257.27	19.69	256.84	19.70	256.12	19.70	249.72	19.70	249.19	19.70	248.69	19.49
	47	43	267.19	18.58	261.14	18.58	255.08	18.58	249.02	18.59	244.33	18.59	241.61	18.38
	52	47	277.52	17.99	271.46	18.00	265.40	18.00	259.35	18.00	254.71	17.90	249.25	17.70
	57	52	290.42	17.44	284.37	17.44	278.31	17.44	272.25	17.44	264.18	17.25	256.44	16.95
	62	56	300.75	17.11	294.69	16.92	288.63	16.92	282.57	16.93	269.98	16.59	257.34	15.87
	67	61	310.25	16.64	304.26	16.46	298.26	16.28	289.07	16.28	270.88	15.38	257.34	14.64
72	66	319.46	16.30	313.53	16.02	307.61	15.84	291.20	15.37	270.88	14.28	257.34	13.46	
75	69	327.03	16.13	321.10	15.76	315.17	15.48	292.48	14.63	270.88	13.34	257.34	12.59	
120%	-13	-13	96.81	13.71	96.68	14.04	96.34	14.42	96.13	14.81	95.83	15.19	95.61	15.42
	-8	-9	113.34	15.61	113.18	15.93	112.79	16.28	112.54	16.66	112.19	16.99	111.94	17.21
	-3	-4	133.20	17.82	133.01	18.12	132.55	18.43	132.26	18.78	131.85	19.06	131.55	19.25
	2	1	147.12	19.70	146.74	19.97	146.20	20.21	145.90	20.50	145.37	20.70	145.10	20.85
	7	6	160.92	21.44	160.50	21.61	159.92	21.78	159.61	22.01	159.21	22.13	158.78	22.23
	12	10	175.10	23.05	174.63	23.13	174.25	23.20	173.71	23.34	173.34	23.39	172.86	23.43
	17	15	190.75	23.72	190.16	23.73	189.83	23.73	189.08	23.74	188.92	23.74	188.79	23.75
	22	20	200.26	23.25	199.68	23.26	199.36	23.26	198.62	23.27	198.45	23.27	198.32	23.27
	27	24	211.48	22.66	211.39	22.66	211.13	22.67	210.89	22.67	209.81	22.68	209.57	22.68
	32	29	222.67	21.45	222.18	21.46	221.89	21.46	221.54	21.47	220.91	21.47	220.79	21.47
	37	34	231.34	20.37	230.82	20.37	230.50	20.37	230.42	20.38	229.20	20.38	228.14	20.38
	42	38	246.26	19.29	243.11	19.29	242.75	19.29	242.66	19.29	236.75	19.30	233.31	19.30
	47	43	264.37	18.41	259.87	18.33	255.31	18.16	249.55	18.16	243.80	18.17	236.06	18.17
	52	47	275.07	17.93	269.37	17.69	263.66	17.62	257.95	17.54	248.33	17.54	237.54	17.32
	57	52	283.01	17.31	275.89	17.16	270.32	17.02	264.75	16.88	250.05	16.54	237.54	15.70
	62	56	293.33	16.92	284.92	16.78	276.62	16.65	268.56	16.36	250.05	15.24	237.54	14.41
	67	61	303.26	16.58	293.47	16.38	284.16	16.11	268.80	15.14	250.05	14.10	237.54	13.24
72	66	311.56	16.30	303.53	15.99	286.26	15.14	268.80	13.99	250.05	12.88	237.54	12.16	
75	69	319.13	16.13	311.74	15.62	288.05	14.34	268.80	13.23	250.05	12.19	237.54	11.51	
110%	-13	-13	96.29	14.30	96.17	14.71	95.84	15.03	95.61	15.38	95.41	15.64	95.12	15.81
	-8	-9	112.73	16.18	112.59	16.55	112.20	16.84	111.94	17.16	111.70	17.41	111.36	17.55
	-3	-4	132.49	18.35	132.32	18.67	131.86	18.93	131.55	19.21	131.27	19.43	130.87	19.54
	2	1	146.31	20.15	146.01	20.39	145.64	20.59	145.15	20.81	144.89	21.00	144.66	21.06
	7	6	160.09	21.74	159.73	21.91	159.37	22.06	158.87	22.20	158.58	22.32	158.38	22.34
	12	10	174.24	23.17	173.85	23.28	173.49	23.36	173.29	23.41	172.72	23.48	172.50	23.45
	17	15	189.87	23.73	189.64	23.73	189.18	23.74	188.79	23.74	188.14	23.75	188.00	23.75
	22	20	199.39	23.26	198.81	23.26	198.55	23.27	198.32	23.27	197.68	23.28	197.55	23.21
	27	24	211.37	22.67	211.10	22.67	210.29	22.67	209.57	22.68	209.33	22.68	208.02	22.56
	32	29	222.01	21.46	221.87	21.46	221.26	21.47	220.79	21.47	219.50	21.47	214.77	21.29
	37	34	232.81	20.09	230.48	20.10	230.27	20.10	229.04	20.10	224.19	20.10	217.75	19.87
	42	38	243.18	18.94	240.65	18.95	239.79	18.95	236.70	18.95	226.08	18.95	217.75	18.67
	47	43	255.49	17.61	251.43	17.61	248.40	17.61	240.23	17.61	229.21	17.62	217.75	17.03
	52	47	263.40	17.38	259.38	17.38	253.96	17.39	243.48	17.39	229.21	16.60	217.75	15.63
	57	52	274.33	17.10	269.20	17.10	261.19	17.10	246.40	16.33	229.21	15.00	217.75	14.14
	62	56	283.40	16.87	276.20	16.87	263.59	16.37	246.40	15.12	229.21	13.91	217.75	13.12
	67	61	293.63	16.59	280.78	16.08	263.59	14.93	246.40	13.80	229.21	12.71	217.75	12.00
72	66	297.97	15.79	280.78	14.72	263.59	13.68	246.40	12.67	229.21	11.68	217.75	11.04	
75	69	302.13	15.31	280.78	13.91	263.59	12.93	246.40	11.99	229.21	11.06	217.75	10.46	

NOTE - Power Input = Compressor + Outdoor Fan Motor.  
MBH = 1000 BTUs per hour.

# HEATING CAPACITY - TWO MODULE - VRA216H4

Combination (%)	Outdoor Temperature (°F)		Indoor Temperature - °F Dry Bulb											
			61		64		67		70		73		75	
	Dry Bulb	Wet Bulb	Total Cap. MBH	Power Input kW	Total Cap. MBH	Power Input kW	Total Cap. MBH	Power Input kW	Total Cap. MBH	Power Input kW	Total Cap. MBH	Power Input kW	Total Cap. MBH	Power Input kW
100%	-13	-13	95.96	15.03	95.70	15.32	95.55	15.58	95.12	15.90	95.02	16.30	94.96	16.93
	-8	-9	112.34	16.85	112.04	17.11	111.86	17.34	111.36	17.65	111.24	18.03	111.17	18.74
	-3	-4	132.03	18.94	131.67	19.15	131.46	19.35	130.87	19.65	130.73	20.01	130.64	20.80
	2	1	145.60	20.61	145.22	20.76	145.04	20.91	144.66	21.18	144.26	21.50	144.20	22.35
	7	6	159.52	22.06	158.96	22.17	158.72	22.27	158.38	22.49	157.91	22.78	157.85	23.67
	12	10	173.62	23.35	173.35	23.40	172.93	23.45	172.50	23.60	172.23	23.84	171.90	24.42
	17	15	188.99	23.74	188.84	23.74	188.33	23.75	188.00	23.75	187.68	24.00	187.22	24.25
	22	20	198.52	23.27	198.37	23.27	197.87	23.27	197.55	23.28	196.08	23.36	191.09	23.37
	27	24	209.93	22.67	209.66	22.68	209.49	22.68	209.10	22.68	203.77	22.37	195.77	22.39
	32	29	220.98	21.80	218.81	21.69	218.08	21.47	216.26	21.47	207.22	21.02	197.95	20.73
	37	34	231.27	20.82	227.91	20.72	225.97	20.32	220.30	20.10	208.37	19.52	197.95	19.15
	42	38	240.87	20.01	237.70	19.64	231.72	19.16	221.96	18.95	208.37	18.08	197.95	17.34
	<b>47</b>	<b>43</b>	<b>250.08</b>	<b>19.04</b>	<b>245.29</b>	<b>18.69</b>	<b>235.47</b>	<b>18.16</b>	<b>224.00</b>	<b>17.61</b>	<b>208.37</b>	<b>16.38</b>	<b>197.95</b>	<b>15.43</b>
	52	47	257.71	18.38	249.21	17.93	238.70	17.23	224.00	16.34	208.37	15.15	197.95	14.16
	57	52	265.64	17.71	255.02	17.00	239.63	15.98	224.00	14.77	208.37	13.60	197.95	12.83
	62	56	269.98	16.82	255.26	15.76	239.63	14.64	224.00	13.55	208.37	12.48	197.95	11.79
	67	61	270.88	15.41	255.26	14.38	239.63	13.37	224.00	12.39	208.37	11.43	197.95	10.81
	72	66	270.88	14.12	255.26	13.19	239.63	12.28	224.00	11.39	208.37	10.52	197.95	9.96
	75	69	270.88	13.34	255.26	12.47	239.63	11.62	224.00	10.79	208.37	9.98	197.95	9.45
	90%	-13	-13	94.30	16.53	93.98	16.85	93.82	17.14	93.73	17.49	93.33	17.74	93.26
-8		-9	110.40	18.53	110.02	18.82	109.83	19.08	109.73	19.41	109.25	19.63	109.18	20.61
-3		-4	128.35	20.83	127.91	21.07	127.69	21.29	127.57	21.61	127.02	21.79	126.93	22.64
2		1	141.15	22.67	140.86	22.84	140.53	23.00	140.32	23.29	139.88	23.41	139.67	23.96
7		6	152.89	24.39	152.63	24.39	152.27	24.40	152.05	24.40	151.61	24.41	151.37	24.41
12		10	166.45	24.56	166.22	24.57	165.84	24.57	165.60	24.58	165.22	24.58	164.89	24.58
17		15	182.43	24.22	182.28	24.22	182.11	24.23	181.48	24.23	178.79	24.24	176.26	24.24
22		20	188.32	23.27	188.18	23.28	186.82	23.19	185.63	23.06	182.13	22.92	176.17	22.84
27		24	203.34	22.68	198.93	22.68	196.13	22.51	193.98	22.24	185.47	21.97	178.16	21.80
32		29	215.94	21.67	210.20	21.47	204.59	21.23	199.38	20.83	187.53	20.44	178.16	20.19
37		34	225.55	20.38	218.97	20.10	211.01	19.79	201.60	19.28	187.53	18.43	178.16	17.58
42		38	233.82	19.21	224.08	18.95	213.74	18.58	201.60	17.68	187.53	16.40	178.16	15.56
47		43	237.95	18.06	226.74	17.62	215.67	16.83	201.60	15.55	187.53	14.31	178.16	13.50
52		47	240.99	17.39	229.73	16.65	215.67	15.45	201.60	14.30	187.53	13.17	178.16	12.44
57		52	243.80	16.13	229.73	15.04	215.67	13.99	201.60	12.96	187.53	11.95	178.16	11.30
62		56	243.80	14.93	229.73	13.94	215.67	12.98	201.60	12.03	187.53	11.11	178.16	10.51
67		61	243.80	13.64	229.73	12.75	215.67	11.88	201.60	11.03	187.53	10.20	178.16	9.66
72		66	243.80	12.52	229.73	11.71	215.67	10.92	201.60	10.15	187.53	9.40	178.16	8.91
75		69	243.80	11.84	229.73	11.09	215.67	10.35	201.60	9.63	187.53	8.93	178.16	8.47
80%		-13	-13	92.92	18.19	92.59	18.54	92.42	18.86	92.37	19.23	92.17	19.51	91.90
	-8	-9	108.76	20.39	108.39	20.70	108.19	20.98	108.12	21.35	107.90	21.60	107.58	22.46
	-3	-4	126.43	22.91	126.00	23.17	125.77	23.42	125.69	23.77	125.43	23.97	125.06	24.70
	2	1	138.98	24.55	138.70	24.74	138.36	24.91	138.16	25.23	137.98	25.35	137.78	25.74
	7	6	151.22	25.49	150.98	25.49	150.60	25.50	150.36	25.50	149.88	25.51	149.11	25.64
	12	10	164.86	25.30	164.65	25.31	164.45	25.31	163.97	25.32	159.25	25.32	156.92	25.32
	17	15	181.04	24.58	178.63	24.58	178.40	24.58	175.77	24.59	168.74	24.59	158.36	24.60
	22	20	190.32	23.54	186.86	23.42	181.75	23.30	176.84	23.18	166.29	23.07	158.36	22.99
	27	24	202.46	22.54	195.13	22.29	186.29	22.05	179.20	21.82	166.70	21.59	158.36	21.32
	32	29	206.78	21.26	198.54	20.90	189.16	20.56	179.20	20.22	166.70	19.20	158.36	18.43
	37	34	209.25	19.83	199.16	19.37	189.16	18.81	179.20	17.67	166.70	16.56	158.36	15.84
	42	38	209.25	18.62	199.16	17.92	189.16	16.77	179.20	15.65	166.70	14.56	158.36	13.85
	47	43	209.25	16.93	199.16	15.79	189.16	14.67	179.20	13.59	166.70	12.53	158.36	11.84
	52	47	209.25	15.54	199.16	14.51	189.16	13.50	179.20	12.52	166.70	11.56	158.36	10.93
	57	52	209.25	14.06	199.16	13.14	189.16	12.25	179.20	11.37	166.70	10.52	158.36	9.96
	62	56	209.25	13.05	199.16	12.21	189.16	11.38	179.20	10.58	166.70	9.80	158.36	9.29
	67	61	209.25	11.94	199.16	11.18	189.16	10.44	179.20	9.72	166.70	9.01	158.36	8.55
	72	66	209.25	10.98	199.16	10.30	189.16	9.62	179.20	8.97	166.70	8.32	158.36	7.90
	75	69	209.25	10.41	199.16	9.76	189.16	9.13	179.20	8.52	166.70	7.91	158.36	7.52

NOTE - Power Input = Compressor + Outdoor Fan Motor.  
MBH = 1000 BTUs per hour.

# HEATING CAPACITY - TWO MODULE - VRA216H4

Combination (%)	Outdoor Temperature (°F)		Indoor Temperature - °F Dry Bulb											
			61		64		67		70		73		75	
	Dry Bulb	Wet Bulb	Total Cap. MBH	Power Input kW	Total Cap. MBH	Power Input kW	Total Cap. MBH	Power Input kW	Total Cap. MBH	Power Input kW	Total Cap. MBH	Power Input kW	Total Cap. MBH	Power Input kW
70%	-13	-13	91.57	20.70	91.49	20.71	91.21	20.72	91.03	20.73	90.58	20.74	89.73	20.74
	-8	-9	107.18	21.96	107.08	21.97	106.76	21.98	106.55	21.99	106.02	21.99	105.00	22.00
	-3	-4	124.58	23.35	124.46	23.36	124.09	23.37	123.85	23.37	123.21	23.38	122.00	23.39
	2	1	137.14	24.51	137.01	24.52	136.78	24.52	135.48	24.53	133.46	24.53	132.09	24.54
	7	6	150.64	25.25	150.51	25.25	149.68	25.26	146.88	25.26	142.49	25.27	138.57	25.27
	12	10	164.78	25.31	163.49	25.32	160.62	25.32	155.49	25.32	145.86	25.33	138.57	25.33
	17	15	174.93	24.59	170.68	24.59	164.83	24.59	156.80	24.60	145.86	24.60	138.57	24.60
	22	20	180.88	23.28	173.54	23.18	165.43	23.08	156.80	22.98	145.86	22.85	138.57	22.10
	27	24	182.70	22.01	173.99	21.81	165.43	21.61	156.80	21.17	145.86	20.11	138.57	19.42
	32	29	182.70	20.50	173.99	20.20	165.43	19.30	156.80	18.29	145.86	17.31	138.57	16.67
	37	34	182.70	18.62	173.99	17.62	165.43	16.65	156.80	15.70	145.86	14.78	138.57	14.18
	42	38	182.70	16.58	173.99	15.61	165.43	14.65	156.80	13.72	145.86	12.81	138.57	12.22
	47	43	182.70	14.49	173.99	13.54	165.43	12.62	156.80	11.72	145.86	10.84	138.57	10.26
	52	47	182.70	13.33	173.99	12.48	165.43	11.64	156.80	10.82	145.86	10.02	138.57	9.50
	57	52	182.70	12.10	173.99	11.34	165.43	10.59	156.80	9.86	145.86	9.14	138.57	8.67
	62	56	182.70	11.25	173.99	10.55	165.43	9.86	156.80	9.19	145.86	8.53	138.57	8.10
	67	61	182.70	10.32	173.99	9.69	165.43	9.07	156.80	8.46	145.86	7.87	138.57	7.48
72	66	182.70	9.51	173.99	8.94	165.43	8.38	156.80	7.83	145.86	7.29	138.57	6.93	
75	69	182.70	9.03	173.99	8.49	165.43	7.96	156.80	7.45	145.86	6.94	138.57	6.60	
60%	-13	-13	89.74	20.72	89.66	20.73	89.39	20.74	89.21	20.75	88.77	20.76	87.93	20.76
	-8	-9	101.15	21.98	100.01	21.99	98.71	22.00	97.49	22.00	96.09	22.01	94.69	22.02
	-3	-4	119.01	23.37	116.59	23.38	114.03	23.38	111.54	23.39	108.96	23.40	106.84	23.40
	2	1	135.64	24.53	131.80	24.53	127.84	24.54	123.94	24.54	119.51	24.55	115.56	24.55
	7	6	147.46	25.26	143.02	25.26	138.44	25.27	133.11	25.27	123.65	25.27	118.77	25.28
	12	10	152.07	25.32	147.33	25.33	140.86	25.33	134.40	25.33	125.02	25.34	118.77	25.34
	17	15	155.07	24.59	149.33	24.60	141.87	24.60	134.40	24.60	125.02	24.13	118.77	23.27
	22	20	157.61	23.03	150.92	22.95	143.37	22.63	134.40	21.68	125.02	20.76	118.77	20.02
	27	24	158.91	21.51	151.34	20.81	143.78	19.91	134.40	19.03	125.02	18.17	118.77	17.50
	32	29	158.91	18.82	151.34	17.96	143.78	17.12	134.40	16.31	125.02	15.51	118.77	14.91
	37	34	158.91	16.20	151.34	15.39	143.78	14.61	134.40	13.84	125.02	13.09	118.77	12.55
	42	38	158.91	14.20	151.34	13.42	143.78	12.64	134.40	11.89	125.02	11.15	118.77	10.64
	47	43	162.53	12.45	153.15	11.67	143.78	10.91	134.40	10.16	125.02	9.42	118.77	8.94
	52	47	162.53	11.25	153.15	10.55	143.78	9.87	134.40	9.20	125.02	8.55	118.77	8.12
	57	52	162.53	10.24	153.15	9.62	143.78	9.01	134.40	8.41	125.02	7.83	118.77	7.44
	62	56	162.53	9.54	153.15	8.97	143.78	8.41	134.40	7.86	125.02	7.32	118.77	6.97
	67	61	162.53	8.78	153.15	8.26	143.78	7.75	134.40	7.26	125.02	6.77	118.77	6.45
72	66	162.53	8.11	153.15	7.64	143.78	7.18	134.40	6.73	125.02	6.29	118.77	5.99	
75	69	162.53	7.72	153.15	7.27	143.78	6.84	134.40	6.41	125.02	6.00	118.77	5.72	
50%	-13	-13	87.95	20.75	87.86	20.75	87.60	20.76	87.43	20.77	86.95	20.77	83.14	20.78
	-8	-9	96.89	22.00	95.95	22.01	94.46	22.01	93.27	22.02	91.69	22.03	87.59	22.03
	-3	-4	110.63	23.39	108.68	23.39	105.72	23.40	103.31	23.40	100.07	23.41	95.06	23.41
	2	1	121.35	24.54	118.30	24.54	113.80	24.55	110.08	24.55	104.19	24.56	98.98	24.56
	7	6	126.90	25.27	122.85	25.27	116.92	25.28	112.00	25.28	104.19	25.28	98.98	24.91
	12	10	130.24	25.08	125.27	25.09	118.02	25.09	112.00	25.03	104.19	23.78	98.98	22.73
	17	15	134.10	24.73	127.63	24.41	119.10	23.38	112.00	21.95	104.19	20.74	98.98	19.57
	22	20	134.83	22.01	127.63	21.13	119.81	20.22	112.00	18.92	104.19	17.43	98.98	16.47
	27	24	135.44	19.13	127.63	18.41	119.81	17.48	112.00	16.38	104.19	15.12	98.98	14.30
	32	29	135.44	16.40	127.63	15.73	119.81	14.88	112.00	13.98	104.19	12.93	98.98	12.24
	37	34	135.44	13.92	127.63	13.30	119.81	12.52	112.00	11.78	104.19	10.92	98.98	10.35
	42	38	135.44	11.97	127.63	11.35	119.81	10.74	112.00	10.01	104.19	9.30	98.98	8.83
	47	43	135.44	10.29	127.63	9.68	119.81	9.07	112.00	8.48	104.19	7.90	98.98	7.52
	52	47	135.44	9.27	127.63	8.73	119.81	8.19	112.00	7.67	104.19	7.15	98.98	6.81
	57	52	135.44	8.48	127.63	7.99	119.81	7.51	112.00	7.03	104.19	6.57	98.98	6.26
	62	56	135.44	7.92	127.63	7.47	119.81	7.03	112.00	6.59	104.19	6.16	98.98	5.88
	67	61	135.44	7.31	127.63	6.90	119.81	6.50	112.00	6.11	104.19	5.72	98.98	5.46
72	66	135.44	6.78	127.63	6.41	119.81	6.04	112.00	5.68	104.19	5.33	98.98	5.09	
75	69	135.44	6.46	127.63	6.11	119.81	5.77	112.00	5.43	104.19	5.09	98.98	4.87	

NOTE - Power Input = Compressor + Outdoor Fan Motor.  
MBH = 1000 BTUs per hour.

## COOLING CAPACITY - TWO MODULE - VRA240H4

Combination (%)	Outdoor Temperature °F (Dry Bulb)	Indoor Temperature - °F (Dry Bulb / Wet Bulb)											
		67 / 57		71 / 60		75 / 63		80 / 67		85 / 71		90 / 75	
		Total Cap.	Power Input	Total Cap.	Power Input	Total Cap.	Power Input	Total Cap.	Power Input	Total Cap.	Power Input	Total Cap.	Power Input
		MBH	kW	MBH	kW	MBH	kW	MBH	kW	MBH	kW	MBH	kW
130%	25	193.58	7.96	225.21	9.41	256.83	10.95	299.00	13.06	323.64	13.82	331.31	13.21
	30	193.58	8.14	225.21	9.65	256.83	11.22	299.00	13.33	318.17	13.75	325.83	13.14
	35	193.58	8.33	225.21	9.88	256.83	11.48	299.00	13.66	312.90	13.63	321.04	13.05
	40	193.58	8.52	225.21	10.10	256.83	11.74	299.00	13.98	307.63	13.52	316.25	12.96
	45	193.58	8.73	225.21	10.36	256.83	12.06	294.21	13.94	302.59	13.40	310.98	12.82
	50	193.58	8.95	225.21	10.63	256.83	12.37	289.42	13.89	297.56	13.28	305.71	12.68
	55	193.58	9.18	225.21	10.93	256.83	12.71	284.63	13.77	292.29	13.26	299.96	12.98
	60	193.58	9.41	225.21	11.20	256.83	13.03	279.35	13.94	287.26	13.87	295.17	14.03
	65	193.58	9.79	225.21	11.76	256.83	13.99	270.49	15.08	278.64	15.45	286.78	15.64
	70	193.58	10.07	225.21	12.51	253.64	14.82	269.29	15.66	276.96	15.89	284.63	16.03
	75	193.58	11.00	225.21	13.73	250.44	15.94	263.54	16.68	271.21	16.92	279.83	17.06
	80	193.58	12.14	225.21	15.08	247.09	17.05	258.51	17.71	266.42	17.87	274.08	18.11
	85	193.58	13.24	225.21	16.52	243.42	18.24	253.00	18.69	261.15	18.92	269.29	19.15
	90	193.58	14.47	225.21	18.05	240.22	19.45	248.21	19.74	255.88	19.97	263.78	20.20
	95	193.58	15.75	221.61	19.18	234.79	20.44	242.46	20.69	250.60	20.97	252.04	21.07
	100	193.58	17.27	217.84	20.34	229.92	21.49	236.71	21.72	239.10	21.79	239.10	21.79
	105	193.58	18.98	213.71	21.66	223.61	22.68	225.85	22.77	226.81	22.77	226.81	22.77
	110	193.58	21.16	208.68	23.33	213.71	24.05	213.71	24.05	213.71	24.05	213.71	24.05
115	184.00	24.23	184.00	24.23	184.64	24.30	184.96	24.33	185.92	24.37	185.92	24.42	
118	158.24	22.09	158.24	22.09	158.79	22.15	159.06	22.18	159.89	22.22	159.89	22.26	
120%	25	179.21	7.30	207.96	8.62	237.35	9.99	276.00	11.85	312.76	13.70	325.83	13.65
	30	179.21	7.46	207.96	8.81	237.35	10.23	276.00	12.12	310.02	13.80	321.04	13.52
	35	179.21	7.63	207.96	9.02	237.35	10.46	276.00	12.44	306.43	13.82	315.77	13.42
	40	179.21	7.80	207.96	9.22	237.35	10.69	276.00	12.77	302.83	13.84	310.50	13.33
	45	179.21	7.99	207.96	9.48	237.35	11.00	276.00	13.10	297.56	13.75	305.23	13.24
	50	179.21	8.18	207.96	9.74	237.35	11.31	276.00	13.42	292.29	13.66	299.96	13.14
	55	179.21	8.39	207.96	9.96	237.35	11.56	276.00	13.77	287.50	13.56	294.93	13.17
	60	179.21	8.61	207.96	10.23	237.35	11.88	274.56	14.03	282.23	13.87	289.42	13.94
	65	179.21	8.97	207.96	10.68	237.35	12.56	267.38	14.70	273.36	15.22	281.75	15.54
	70	179.21	9.08	207.96	11.15	237.35	13.45	264.50	15.57	272.17	15.80	278.88	15.94
	75	179.21	9.88	207.96	12.26	237.35	14.79	259.71	16.59	266.42	16.73	274.08	16.96
	80	179.21	10.84	207.96	13.46	237.03	16.23	253.96	17.62	261.51	17.78	268.33	17.92
	85	179.21	11.88	207.96	14.72	234.79	17.52	249.17	18.60	256.11	18.78	263.54	18.97
	90	179.21	12.93	207.96	16.08	231.60	18.68	243.66	19.57	251.08	19.78	258.03	20.02
	95	179.21	14.07	207.96	17.57	227.76	19.85	238.63	20.60	245.81	20.83	252.04	21.07
	100	179.21	15.36	207.96	19.20	224.57	21.12	233.59	21.62	238.39	21.79	239.10	21.79
	105	179.21	16.87	207.48	20.97	220.74	22.53	225.53	22.74	226.81	22.77	226.81	22.77
	110	179.21	18.83	203.65	22.74	213.07	24.05	213.71	24.05	213.71	24.05	213.71	24.05
115	179.21	20.97	182.80	23.42	184.64	24.30	184.96	24.33	185.92	24.37	185.92	24.42	
118	158.24	19.63	158.24	21.49	158.79	22.15	159.06	22.18	159.89	22.22	159.89	22.26	
110%	25	163.88	6.65	190.47	7.83	217.22	9.07	253.00	10.73	288.46	12.50	320.08	14.02
	30	163.88	6.79	190.47	8.00	217.22	9.26	253.00	11.00	288.46	12.77	315.29	13.89
	35	163.88	6.94	190.47	8.18	217.22	9.48	253.00	11.28	288.46	13.10	310.02	13.80
	40	163.88	7.09	190.47	8.37	217.22	9.71	253.00	11.56	288.46	13.42	304.75	13.70
	45	163.88	7.27	190.47	8.58	217.22	9.94	253.00	11.84	286.54	13.59	299.48	13.61
	50	163.88	7.44	190.47	8.79	217.22	10.17	253.00	12.12	284.63	13.75	294.21	13.52
	55	163.88	7.62	190.47	9.00	217.22	10.46	253.00	12.47	281.87	13.90	289.18	13.42
	60	163.88	7.82	190.47	9.26	217.22	10.73	253.00	12.82	277.20	14.00	283.67	13.80
	65	163.88	8.14	190.47	9.71	217.22	11.27	253.00	13.66	268.93	14.77	276.00	15.36
	70	163.88	8.24	190.47	9.89	217.22	11.81	253.00	14.73	266.90	15.66	273.13	15.85
	75	163.88	8.80	190.47	10.80	217.22	13.02	253.00	16.22	261.63	16.64	268.33	16.78
	80	163.88	9.60	190.47	11.87	217.22	14.28	250.13	17.45	256.71	17.66	263.30	17.83
	85	163.88	10.53	190.47	12.98	217.22	15.63	244.85	18.46	251.32	18.64	257.79	18.83
	90	163.88	11.46	190.47	14.19	217.22	17.12	239.58	19.46	246.29	19.69	253.00	19.83
	95	163.88	12.49	190.47	15.50	217.22	18.74	233.83	20.41	241.02	20.65	247.25	20.88
	100	163.88	13.56	190.47	16.85	215.94	20.16	229.04	21.46	235.39	21.68	239.10	21.79
	105	163.88	14.88	190.47	18.56	212.32	21.61	224.25	22.71	226.65	22.77	226.81	22.77
	110	163.88	16.59	190.47	20.72	208.92	23.40	213.71	24.05	213.71	24.05	213.71	24.05
115	163.88	18.46	178.97	22.79	184.64	24.30	184.96	24.33	185.92	24.37	185.92	24.42	
118	158.24	18.89	158.24	21.36	158.79	22.15	159.06	22.18	159.89	22.22	159.89	22.26	

NOTE - Power Input = Compressor + Outdoor Fan Motor.  
MBH = 1000 BTUs per hour.



## COOLING CAPACITY - TWO MODULE - VRA240H4

Combination (%)	Outdoor Temperature °F (Dry Bulb)	Indoor Temperature - °F (Dry Bulb / Wet Bulb)											
		67 / 57		71 / 60		75 / 63		80 / 67		85 / 71		90 / 75	
		Total Cap.	Power Input	Total Cap.	Power Input	Total Cap.	Power Input	Total Cap.	Power Input	Total Cap.	Power Input	Total Cap.	Power Input
		MBH	kW	MBH	kW	MBH	kW	MBH	kW	MBH	kW	MBH	kW
100%	25	149.50	6.02	173.22	7.06	197.74	8.13	230.00	9.61	262.10	11.20	294.21	12.81
	30	149.50	6.14	173.22	7.21	197.74	8.31	230.00	9.88	262.10	11.46	294.21	13.14
	35	149.50	6.28	173.22	7.37	197.74	8.51	230.00	10.11	262.10	11.74	294.21	13.47
	40	149.50	6.41	173.22	7.54	197.74	8.71	230.00	10.35	262.10	12.02	294.21	13.80
	45	149.50	6.57	173.22	7.72	197.74	8.94	230.00	10.63	262.10	12.35	291.33	13.89
	50	149.50	6.72	173.22	7.91	197.74	9.17	230.00	10.91	262.10	12.68	288.46	13.98
	55	149.50	6.88	173.22	8.11	197.74	9.39	230.00	11.16	262.10	13.03	283.67	13.87
	60	149.50	7.05	173.22	8.32	197.74	9.63	230.00	11.46	262.10	13.38	278.40	13.94
	65	149.50	7.34	173.22	8.67	197.74	10.05	230.00	11.91	261.03	14.28	269.53	14.91
	70	149.50	7.42	173.22	8.78	197.74	10.35	230.00	12.77	258.75	15.19	268.33	15.66
	75	149.50	7.77	173.22	9.49	197.74	11.37	230.00	14.07	256.35	16.50	262.58	16.68
	80	149.50	8.49	173.22	10.39	197.74	12.47	230.00	15.50	251.56	17.50	257.79	17.64
	85	149.50	9.27	173.22	11.37	197.74	13.62	230.00	17.01	246.53	18.50	252.52	18.69
	90	149.50	10.09	173.22	12.41	197.74	14.90	230.00	18.60	241.14	19.50	247.25	19.67
	95	149.50	11.00	173.22	13.52	197.74	16.28	230.00	20.32	236.23	20.55	242.46	20.69
	100	149.50	11.95	173.22	14.73	197.74	17.74	224.97	21.35	230.84	21.51	236.23	21.72
	105	149.50	13.08	173.22	16.20	197.74	19.54	219.46	22.53	225.05	22.73	226.81	22.77
	110	149.50	14.54	173.22	18.04	197.74	21.81	213.71	24.05	213.71	24.05	213.71	24.05
115	149.50	16.13	173.22	20.04	183.68	23.33	184.96	24.33	185.92	24.37	185.92	24.42	
118	149.50	17.09	152.43	18.69	158.79	21.38	159.06	22.18	159.89	22.22	159.89	22.26	
90%	25	134.17	5.42	155.73	6.31	177.61	7.24	207.00	8.55	236.23	9.93	265.46	11.39
	30	134.17	5.53	155.73	6.45	177.61	7.40	207.00	8.74	236.23	10.16	265.46	11.65
	35	134.17	5.64	155.73	6.59	177.61	7.58	207.00	8.95	236.23	10.39	265.46	11.93
	40	134.17	5.76	155.73	6.74	177.61	7.75	207.00	9.16	236.23	10.63	265.46	12.21
	45	134.17	5.89	155.73	6.90	177.61	7.94	207.00	9.38	236.23	10.91	265.46	12.49
	50	134.17	6.02	155.73	7.06	177.61	8.13	207.00	9.60	236.23	11.19	265.46	12.77
	55	134.17	6.16	155.73	7.23	177.61	8.34	207.00	9.86	236.23	11.49	265.46	13.12
	60	134.17	6.31	155.73	7.41	177.61	8.55	207.00	10.16	236.23	11.81	265.46	13.47
	65	134.17	6.56	155.73	7.72	177.61	8.91	207.00	10.53	236.23	12.39	265.46	14.59
	70	134.17	6.63	155.73	7.80	177.61	9.01	207.00	11.00	236.23	13.28	262.58	15.57
	75	134.17	6.81	155.73	8.26	177.61	9.81	207.00	12.12	236.23	14.63	257.79	16.59
	80	134.17	7.44	155.73	9.04	177.61	10.73	207.00	13.28	236.23	16.10	252.04	17.55
	85	134.17	8.10	155.73	9.86	177.61	11.74	207.00	14.54	235.51	17.57	247.25	18.55
	90	134.17	8.81	155.73	10.73	177.61	12.83	207.00	15.94	233.35	18.90	241.74	19.55
	95	134.17	9.60	155.73	11.70	177.61	13.95	207.00	17.34	230.96	20.27	236.71	20.51
	100	134.17	10.42	155.73	12.71	177.61	15.24	207.00	18.97	225.69	21.32	231.68	21.56
	105	134.17	11.40	155.73	13.94	177.61	16.74	207.00	20.88	220.90	22.57	225.53	22.74
	110	134.17	12.58	155.73	15.52	177.61	18.67	207.00	23.30	213.71	24.05	213.71	24.05
115	134.17	13.98	155.73	17.27	177.61	22.34	184.96	24.33	185.92	24.37	185.92	24.42	
118	134.17	14.82	152.43	17.92	154.52	20.60	159.06	22.18	159.89	22.22	159.89	22.26	
80%	25	119.79	4.84	139.20	5.60	158.44	6.39	184.00	7.51	209.88	8.68	235.75	9.89
	30	119.79	4.93	139.20	5.71	158.44	6.53	184.00	7.67	209.88	8.88	235.75	10.16
	35	119.79	5.03	139.20	5.84	158.44	6.68	184.00	7.85	209.88	9.09	235.75	10.39
	40	119.79	5.14	139.20	5.96	158.44	6.83	184.00	8.03	209.88	9.29	235.75	10.63
	45	119.79	5.24	139.20	6.10	158.44	6.99	184.00	8.24	209.88	9.54	235.75	10.91
	50	119.79	5.35	139.20	6.23	158.44	7.15	184.00	8.44	209.88	9.79	235.75	11.19
	55	119.79	5.47	139.20	6.38	158.44	7.33	184.00	8.65	209.88	10.03	235.75	11.44
	60	119.79	5.60	139.20	6.53	158.44	7.51	184.00	8.87	209.88	10.32	235.75	11.79
	65	119.79	5.81	139.20	6.80	158.44	7.82	184.00	9.25	209.88	10.75	235.75	12.42
	70	119.79	5.87	139.20	6.87	158.44	7.91	184.00	9.32	209.88	11.23	235.75	13.24
	75	119.79	6.02	139.20	7.14	158.44	8.39	184.00	10.25	209.88	12.35	235.75	14.63
	80	119.79	6.46	139.20	7.77	158.44	9.18	184.00	11.21	209.88	13.54	235.75	16.06
	85	119.79	7.02	139.20	8.47	158.44	10.00	184.00	12.30	209.88	14.84	235.75	17.62
	90	119.79	7.62	139.20	9.20	158.44	10.93	184.00	13.47	209.88	16.22	235.03	19.25
	95	119.79	8.27	139.20	10.04	158.44	11.87	184.00	14.63	209.88	17.71	230.96	20.32
	100	119.79	8.96	139.20	10.86	158.44	12.93	184.00	15.94	209.88	19.36	225.93	21.37
	105	119.79	9.79	139.20	11.91	158.44	14.19	184.00	17.52	209.56	21.31	220.42	22.56
	110	119.79	10.81	139.20	13.19	158.44	15.78	184.00	19.57	207.48	23.30	213.71	24.05
115	119.79	12.02	139.20	14.68	158.44	17.55	184.00	21.81	185.92	24.37	185.92	24.42	
118	119.79	12.75	139.20	15.56	154.52	18.15	159.06	19.99	159.89	22.22	159.89	22.26	

NOTE - Power Input = Compressor + Outdoor Fan Motor.  
MBH = 1000 BTUs per hour.

## COOLING CAPACITY - TWO MODULE - VRA240H4

Combination (%)	Outdoor Temperature °F (Dry Bulb)	Indoor Temperature - °F (Dry Bulb / Wet Bulb)											
		67 / 57		71 / 60		75 / 63		80 / 67		85 / 71		90 / 75	
		Total Cap.	Power Input	Total Cap.	Power Input	Total Cap.	Power Input	Total Cap.	Power Input	Total Cap.	Power Input	Total Cap.	Power Input
		MBH	kW	MBH	kW	MBH	kW	MBH	kW	MBH	kW	MBH	kW
70%	25	104.46	4.29	121.71	4.93	138.32	5.59	161.00	6.51	183.52	7.49	206.04	8.51
	30	104.46	4.37	121.71	5.02	138.32	5.70	161.00	6.65	183.52	7.66	206.04	8.71
	35	104.46	4.45	121.71	5.12	138.32	5.82	161.00	6.80	183.52	7.84	206.04	8.92
	40	104.46	4.53	121.71	5.22	138.32	5.94	161.00	6.95	183.52	8.02	206.04	9.13
	45	104.46	4.62	121.71	5.34	138.32	6.08	161.00	7.12	183.52	8.22	206.04	9.36
	50	104.46	4.72	121.71	5.45	138.32	6.21	161.00	7.28	183.52	8.42	206.04	9.60
	55	104.46	4.81	121.71	5.57	138.32	6.36	161.00	7.47	183.52	8.63	206.04	9.83
	60	104.46	4.92	121.71	5.70	138.32	6.51	161.00	7.65	183.52	8.86	206.04	10.11
	65	104.46	5.10	121.71	5.92	138.32	6.77	161.00	7.96	183.52	9.21	206.04	10.60
	70	104.46	5.15	121.71	5.98	138.32	6.84	161.00	8.06	183.52	9.35	206.04	10.91
	75	104.46	5.28	121.71	6.14	138.32	7.09	161.00	8.58	183.52	10.21	206.04	12.02
	80	104.46	5.55	121.71	6.60	138.32	7.73	161.00	9.38	183.52	11.20	206.04	13.21
	85	104.46	6.02	121.71	7.18	138.32	8.42	161.00	10.25	183.52	12.23	206.04	14.49
	90	104.46	6.52	121.71	7.80	138.32	9.16	161.00	11.19	183.52	13.38	206.04	15.85
	95	104.46	7.06	121.71	8.45	138.32	9.93	161.00	12.12	183.52	14.59	206.04	17.24
	100	104.46	7.63	121.71	9.16	138.32	10.80	161.00	13.19	183.52	15.90	206.04	18.88
	105	104.46	8.33	121.71	10.03	138.32	11.86	161.00	14.51	183.52	17.49	206.04	20.72
	110	104.46	9.21	121.71	11.11	138.32	13.17	161.00	16.13	183.52	19.53	206.04	23.21
115	104.46	10.16	121.71	12.33	138.32	14.60	161.00	17.99	182.08	22.56	185.92	24.42	
118	104.46	10.77	121.71	13.07	138.32	15.48	144.90	17.16	159.89	21.00	159.89	22.26	
60%	25	89.51	3.77	104.31	4.28	118.83	4.81	138.00	5.56	157.17	6.36	176.33	7.19
	30	89.51	3.83	104.31	4.36	118.83	4.90	138.00	5.68	157.17	6.49	176.33	7.35
	35	89.51	3.90	104.31	4.44	118.83	5.00	138.00	5.80	157.17	6.64	176.33	7.52
	40	89.51	3.96	104.31	4.52	118.83	5.10	138.00	5.92	157.17	6.79	176.33	7.69
	45	89.51	4.04	104.31	4.61	118.83	5.21	138.00	6.05	157.17	6.95	176.33	7.88
	50	89.51	4.11	104.31	4.70	118.83	5.32	138.00	6.19	157.17	7.11	176.33	8.06
	55	89.51	4.19	104.31	4.80	118.83	5.44	138.00	6.33	157.17	7.28	176.33	8.27
	60	89.51	4.28	104.31	4.91	118.83	5.56	138.00	6.49	157.17	7.46	176.33	8.49
	65	89.51	4.43	104.31	5.08	118.83	5.78	138.00	6.75	157.17	7.77	176.33	8.84
	70	89.51	4.46	104.31	5.14	118.83	5.84	138.00	6.82	157.17	7.86	176.33	8.95
	75	89.51	4.57	104.31	5.26	118.83	5.98	138.00	7.05	157.17	8.32	176.33	9.69
	80	89.51	4.72	104.31	5.54	118.83	6.41	138.00	7.69	157.17	9.11	176.33	10.63
	85	89.51	5.10	104.31	6.01	118.83	6.98	138.00	8.38	157.17	9.95	176.33	11.60
	90	89.51	5.51	104.31	6.51	118.83	7.57	138.00	9.12	157.17	10.82	176.33	12.65
	95	89.51	5.96	104.31	7.05	118.83	8.21	138.00	9.88	157.17	11.79	176.33	13.80
	100	89.51	6.43	104.31	7.62	118.83	8.90	138.00	10.79	157.17	12.85	176.33	15.08
	105	89.51	6.99	104.31	8.31	118.83	9.73	138.00	11.78	157.17	14.11	176.33	16.53
	110	89.51	7.71	104.31	9.20	118.83	10.75	138.00	13.05	157.17	15.66	176.33	18.46
115	89.51	8.49	104.31	10.16	118.83	11.90	138.00	14.54	157.17	17.43	176.33	20.51	
118	89.51	9.00	104.31	10.77	118.83	12.61	138.00	15.41	144.59	17.00	159.89	19.71	
50%	25	74.56	3.25	86.92	3.63	99.35	4.04	115.00	4.61	130.81	5.23	146.63	5.87
	30	74.56	3.29	86.92	3.69	99.35	4.11	115.00	4.71	130.81	5.33	146.63	5.98
	35	74.56	3.34	86.92	3.75	99.35	4.19	115.00	4.80	130.81	5.44	146.63	6.12
	40	74.56	3.39	86.92	3.82	99.35	4.27	115.00	4.88	130.81	5.56	146.63	6.25
	45	74.56	3.45	86.92	3.89	99.35	4.35	115.00	4.99	130.81	5.68	146.63	6.39
	50	74.56	3.50	86.92	3.96	99.35	4.43	115.00	5.10	130.81	5.80	146.63	6.52
	55	74.56	3.57	86.92	4.04	99.35	4.52	115.00	5.20	130.81	5.93	146.63	6.71
	60	74.56	3.64	86.92	4.11	99.35	4.62	115.00	5.32	130.81	6.07	146.63	6.86
	65	74.56	3.75	86.92	4.25	99.35	4.78	115.00	5.53	130.81	6.34	146.63	7.08
	70	74.56	3.78	86.92	4.29	99.35	4.83	115.00	5.58	130.81	6.37	146.63	6.99
	75	74.56	3.86	86.92	4.38	99.35	4.87	115.00	5.52	130.81	6.44	146.63	7.36
	80	74.56	3.90	86.92	4.48	99.35	5.10	115.00	6.01	130.81	7.01	146.63	8.04
	85	74.56	4.18	86.92	4.83	99.35	5.53	115.00	6.52	130.81	7.66	146.63	8.72
	90	74.56	4.49	86.92	5.22	99.35	5.98	115.00	7.05	130.81	8.27	146.63	9.46
	95	74.56	4.86	86.92	5.64	99.35	6.49	115.00	7.64	130.81	8.99	146.63	10.35
	100	74.56	5.22	86.92	6.08	99.35	6.99	115.00	8.39	130.81	9.80	146.63	11.28
	105	74.56	5.65	86.92	6.59	99.35	7.61	115.00	9.04	130.81	10.72	146.63	12.33
	110	74.56	6.21	86.92	7.28	99.35	8.33	115.00	9.97	130.81	11.79	146.63	13.70
115	74.56	6.82	86.92	8.00	99.35	9.20	115.00	11.09	130.81	12.30	146.63	16.59	
118	74.56	7.23	86.92	8.48	99.35	9.75	115.00	11.76	130.81	13.04	146.63	17.59	

NOTE - Power Input = Compressor + Outdoor Fan Motor.  
MBH = 1000 BTUs per hour.

## HEATING CAPACITY - TWO MODULE - VRA240H4

Combination (%)	Outdoor Temperature (°F)		Indoor Temperature - °F Dry Bulb											
			61		64		67		70		73		75	
	Dry Bulb	Wet Bulb	Total Cap. MBH	Power Input kW	Total Cap. MBH	Power Input kW	Total Cap. MBH	Power Input kW	Total Cap. MBH	Power Input kW	Total Cap. MBH	Power Input kW	Total Cap. MBH	Power Input kW
130%	-13	-13	103.19	13.11	102.73	13.71	102.57	14.15	102.35	14.71	101.95	15.19	101.95	15.51
	-8	-9	119.24	15.01	118.71	15.56	118.53	15.99	118.27	16.50	117.81	16.92	117.81	17.21
	-3	-4	138.48	17.51	137.85	18.00	137.65	18.41	137.35	18.85	136.82	19.20	136.82	19.46
	2	1	151.68	19.57	151.04	19.95	150.52	20.31	149.96	20.64	149.81	20.88	149.51	21.08
	7	6	164.61	21.60	163.94	21.90	163.35	22.16	163.16	22.38	162.65	22.54	162.28	22.65
	12	10	177.78	23.53	177.10	23.71	176.44	23.83	176.23	23.90	175.75	23.98	175.32	24.01
	17	15	196.77	24.72	196.06	24.72	195.82	24.73	194.88	24.74	194.56	24.74	193.93	24.75
	22	20	203.36	24.12	202.67	24.12	202.44	24.13	201.52	24.13	201.21	24.14	200.60	24.14
	27	24	218.07	23.61	217.90	23.62	217.38	23.62	216.92	23.63	216.15	23.64	216.00	23.64
	32	29	230.81	22.58	230.40	22.59	230.01	22.59	229.34	22.60	228.80	22.60	228.43	22.60
	37	34	246.56	22.00	246.21	22.00	245.79	22.01	245.18	22.01	244.57	22.02	244.27	22.02
	42	38	267.31	21.43	267.03	21.44	266.56	21.44	259.88	21.44	259.21	21.45	258.97	21.02
	47	43	291.31	20.63	284.71	20.63	278.10	20.63	271.50	20.64	267.55	20.64	265.71	20.23
	52	47	303.02	20.11	296.42	20.12	289.81	20.12	283.21	20.12	279.37	19.92	272.20	19.52
	57	52	317.65	19.58	311.05	19.58	304.45	19.58	297.84	19.58	287.33	19.19	275.72	18.60
	62	56	329.36	19.26	322.76	18.88	316.15	18.89	309.55	18.89	290.23	18.21	275.72	17.49
	67	61	337.38	18.89	330.90	18.53	324.43	18.17	311.72	18.17	290.23	17.21	275.72	16.52
72	66	344.84	18.77	338.49	18.21	332.14	17.84	312.00	17.48	290.23	16.38	275.72	15.45	
75	69	353.28	18.68	346.93	17.94	340.58	17.38	312.17	16.60	290.23	15.26	275.72	14.39	
120%	-13	-13	102.57	14.17	102.57	14.49	102.16	14.90	101.95	15.35	101.60	15.79	101.34	16.07
	-8	-9	118.53	15.97	118.53	16.29	118.05	16.66	117.81	17.10	117.41	17.48	117.10	17.73
	-3	-4	137.65	18.33	137.65	18.65	137.09	18.98	136.82	19.40	136.34	19.71	135.99	19.93
	2	1	150.82	20.18	150.48	20.47	149.80	20.72	149.51	21.10	148.95	21.31	148.65	21.48
	7	6	163.72	22.07	163.30	22.24	162.57	22.43	162.28	22.74	161.98	22.85	161.39	22.97
	12	10	176.88	23.82	176.39	23.87	176.06	23.94	175.32	24.12	175.02	24.17	174.42	24.21
	17	15	195.82	24.73	195.11	24.73	194.88	24.74	193.93	24.75	193.93	24.75	193.93	24.76
	22	20	202.44	24.12	201.75	24.13	201.52	24.13	200.60	24.14	200.60	24.15	200.60	24.15
	27	24	217.15	23.62	216.98	23.63	216.46	23.63	216.00	23.64	215.77	23.64	215.31	23.64
	32	29	229.89	22.59	229.48	22.59	229.10	22.60	228.43	22.60	228.31	22.61	228.07	22.61
	37	34	238.49	21.57	238.15	21.58	237.74	21.58	237.60	21.58	238.96	21.59	238.66	21.59
	42	38	258.47	20.61	253.13	20.62	252.69	20.62	252.51	20.62	246.35	20.63	246.00	20.63
	47	43	279.79	19.46	273.75	19.47	267.72	19.47	261.68	19.47	255.64	19.47	251.62	19.48
	52	47	291.39	19.34	285.35	19.35	279.31	19.35	273.27	19.35	264.57	19.35	254.51	19.22
	57	52	302.94	19.20	294.02	19.20	288.10	19.20	282.18	19.20	267.91	18.55	254.51	17.46
	62	56	314.39	19.08	305.39	19.08	296.51	19.08	288.00	18.79	267.91	17.25	254.51	16.25
	67	61	325.52	18.92	316.44	18.93	308.09	18.67	288.00	17.24	267.91	15.86	254.51	14.95
72	66	336.37	18.77	328.19	18.55	308.09	17.22	288.00	15.92	267.91	14.66	254.51	13.83	
75	69	344.81	18.68	335.24	18.33	308.09	16.34	288.00	15.12	267.91	13.94	254.51	13.16	
110%	-13	-13	101.95	14.76	101.95	15.27	101.54	15.61	101.34	16.03	101.13	16.31	100.72	16.51
	-8	-9	117.81	16.54	117.81	17.00	117.34	17.31	117.10	17.69	116.86	17.96	116.39	18.13
	-3	-4	136.82	18.89	136.82	19.27	136.27	19.56	135.99	19.88	135.71	20.15	135.16	20.28
	2	1	149.96	20.67	149.62	20.95	149.24	21.18	148.65	21.41	148.51	21.66	148.24	21.75
	7	6	162.83	22.40	162.42	22.60	162.06	22.76	161.39	22.91	161.28	23.08	161.06	23.11
	12	10	175.97	23.91	175.49	24.06	175.15	24.14	175.07	24.17	174.33	24.29	174.16	24.26
	17	15	194.88	24.74	194.88	24.74	194.25	24.75	193.93	24.75	192.98	24.76	192.98	24.76
	22	20	201.52	24.13	200.83	24.14	200.60	24.14	200.60	24.15	199.68	24.15	199.68	24.02
	27	24	216.92	23.63	216.40	23.63	216.08	23.64	215.31	23.64	214.85	23.65	214.39	23.39
	32	29	229.34	22.59	229.07	22.60	228.61	22.60	228.07	22.61	227.52	22.61	227.52	22.24
	37	34	238.04	21.58	237.71	21.58	237.30	21.59	236.71	21.59	235.82	21.59	233.30	21.12
	42	38	246.53	20.62	246.14	20.62	245.78	20.62	245.15	20.63	239.49	20.63	233.30	20.06
	47	43	263.07	19.47	257.70	19.47	257.48	19.47	252.00	19.47	245.58	19.48	233.30	18.82
	52	47	274.43	19.35	269.06	19.35	263.69	19.35	258.31	19.35	245.58	18.43	233.30	17.35
	57	52	288.50	19.20	283.13	19.20	277.76	19.20	264.00	18.23	245.58	16.75	233.30	15.79
	62	56	299.76	19.08	294.39	19.08	282.42	18.36	264.00	16.96	245.58	15.60	233.30	14.72
	67	61	313.83	18.93	300.84	18.15	282.42	16.85	264.00	15.59	245.58	14.36	233.30	13.56
72	66	319.26	17.96	300.84	16.74	282.42	15.56	264.00	14.41	245.58	13.30	233.30	12.57	
75	69	322.51	17.37	300.84	15.90	282.42	14.79	264.00	13.71	245.58	12.66	233.30	11.97	

NOTE - Power Input = Compressor + Outdoor Fan Motor.  
MBH = 1000 BTUs per hour.

# HEATING CAPACITY - TWO MODULE - VRA240H4

Combination (%)	Outdoor Temperature (°F)		Indoor Temperature - °F Dry Bulb											
			61		64		67		70		73		75	
	Dry Bulb	Wet Bulb	Total Cap. MBH	Power Input kW	Total Cap. MBH	Power Input kW	Total Cap. MBH	Power Input kW	Total Cap. MBH	Power Input kW	Total Cap. MBH	Power Input kW	Total Cap. MBH	Power Input kW
100%	-13	-13	101.73	15.62	101.44	15.95	101.34	16.24	100.72	16.57	100.72	17.20	100.72	17.71
	-8	-9	117.56	17.33	117.21	17.61	117.10	17.87	116.39	18.19	116.39	18.81	116.39	19.36
	-3	-4	136.52	19.58	136.12	19.81	135.99	20.02	135.16	20.33	135.16	20.95	135.16	21.57
	2	1	149.10	21.20	148.76	21.37	148.65	21.50	148.24	21.79	147.79	22.37	147.79	23.03
	7	6	162.28	22.77	161.61	22.88	161.39	22.98	161.06	23.21	160.50	23.76	160.50	24.46
	12	10	175.32	24.13	175.13	24.16	174.63	24.22	174.16	24.36	173.94	24.88	173.51	25.61
	17	15	193.93	24.74	193.93	24.75	193.30	24.75	192.98	24.76	192.67	25.26	192.04	25.76
	22	20	200.60	24.14	200.60	24.14	199.98	24.15	199.68	24.15	199.37	24.31	198.76	24.34
	27	24	216.00	23.64	215.48	23.64	215.15	23.64	214.39	23.64	214.31	23.02	207.85	23.06
	32	29	228.43	23.28	228.16	23.06	227.70	22.61	227.52	22.61	221.02	21.70	212.09	21.11
	37	34	237.15	22.66	236.82	22.45	236.41	22.02	234.93	21.59	223.26	20.42	212.09	19.67
	42	38	250.29	22.07	249.89	21.66	246.00	21.04	237.78	20.62	223.26	19.22	212.09	18.31
	47	43	261.27	21.22	260.58	20.84	252.29	20.25	240.00	19.47	223.26	17.87	212.09	16.83
	52	47	274.14	20.73	266.30	20.14	256.20	19.35	240.00	18.29	223.26	16.81	212.09	15.85
	57	52	285.64	19.98	273.49	19.00	256.74	17.99	240.00	16.63	223.26	15.31	212.09	14.45
	62	56	290.23	18.96	273.49	17.67	256.74	16.42	240.00	15.20	223.26	14.01	212.09	13.23
	67	61	290.23	17.40	273.49	16.24	256.74	15.10	240.00	14.00	223.26	12.92	212.09	12.22
	72	66	290.23	16.06	273.49	15.00	256.74	13.97	240.00	12.96	223.26	11.98	212.09	11.34
	75	69	290.23	15.26	273.49	14.26	256.74	13.29	240.00	12.34	223.26	11.42	212.09	10.81
	90%	-13	-13	100.32	17.19	99.86	17.54	99.71	17.87	99.71	18.23	99.10	18.55	99.10
-8		-9	115.93	19.06	115.40	19.37	115.22	19.66	115.22	20.01	114.52	20.29	114.52	21.30
-3		-4	131.94	21.54	131.33	21.80	131.13	22.02	131.13	22.37	130.33	22.60	130.33	23.25
2		1	144.63	23.32	144.33	23.50	143.94	23.65	143.79	23.97	143.25	24.13	142.96	24.57
7		6	155.47	24.94	155.23	24.95	154.79	24.95	154.62	24.96	154.12	24.97	153.76	24.97
12		10	168.07	25.24	167.88	25.25	167.40	25.25	167.19	25.26	166.74	25.26	166.32	25.27
17		15	188.12	25.25	188.12	25.25	188.12	25.26	187.19	25.26	187.19	25.27	187.19	25.27
22		20	190.29	24.15	190.29	24.15	189.70	23.98	189.41	23.70	190.43	23.43	187.03	23.25
27		24	206.09	23.64	201.56	23.65	201.40	23.31	201.18	22.75	196.91	22.21	190.88	21.86
32		29	221.79	22.61	217.18	22.61	213.77	22.12	211.68	21.31	200.93	20.53	190.88	20.02
37		34	236.00	21.59	230.67	21.59	224.40	20.96	216.00	19.93	200.93	18.93	190.88	18.27
42		38	248.00	20.63	238.67	20.63	227.85	19.87	216.00	18.63	200.93	17.42	190.88	16.64
47		43	253.96	20.06	241.85	19.48	231.07	18.61	216.00	17.20	200.93	15.82	190.88	14.92
52		47	257.50	19.35	246.14	18.47	231.07	17.15	216.00	15.87	200.93	14.62	190.88	13.81
57		52	261.21	18.00	246.14	16.79	231.07	15.61	216.00	14.46	200.93	13.35	190.88	12.62
62		56	261.21	16.75	246.14	15.64	231.07	14.56	216.00	13.50	200.93	12.47	190.88	11.80
67		61	261.21	15.40	246.14	14.40	231.07	13.42	216.00	12.46	200.93	11.53	190.88	10.92
72		66	261.21	14.24	246.14	13.33	231.07	12.44	216.00	11.56	200.93	10.71	190.88	10.15
75		69	261.21	13.55	246.14	12.69	231.07	11.85	216.00	11.02	200.93	10.22	190.88	9.69
80%		-13	-13	99.32	18.91	98.87	19.30	98.71	19.66	98.71	20.05	98.51	20.41	98.11
	-8	-9	114.77	20.97	114.25	21.31	114.07	21.62	114.07	22.01	113.84	22.31	113.37	23.00
	-3	-4	130.62	23.69	130.02	23.98	129.82	24.23	129.82	24.60	129.55	24.86	129.02	25.16
	2	1	143.10	24.89	142.80	25.08	142.41	25.24	142.27	25.57	142.14	25.74	141.87	26.05
	7	6	155.23	25.70	154.98	25.71	154.55	25.71	154.37	25.72	154.26	25.73	154.05	25.99
	12	10	168.00	25.76	167.82	25.76	167.75	25.77	167.13	25.77	167.04	25.78	166.88	25.78
	17	15	189.96	25.26	185.55	25.26	185.32	25.27	185.32	25.27	182.58	25.27	169.67	25.28
	22	20	197.69	24.00	192.04	23.75	188.28	23.51	187.40	23.27	177.82	23.04	169.67	22.89
	27	24	210.80	23.35	205.50	22.85	197.09	22.37	192.00	21.90	178.60	21.44	169.67	21.14
	32	29	219.20	22.18	212.13	21.46	202.67	20.76	192.00	20.08	178.60	19.42	169.67	18.98
	37	34	224.00	21.04	213.33	20.12	202.67	19.22	192.00	18.35	178.60	17.49	169.67	16.94
	42	38	224.00	19.97	213.33	18.86	202.67	17.78	192.00	16.73	178.60	15.70	169.67	15.04
	47	43	224.00	18.72	213.33	17.45	202.67	16.22	192.00	15.02	178.60	13.86	169.67	13.09
	52	47	224.00	17.25	213.33	16.10	202.67	14.99	192.00	13.89	178.60	12.83	169.67	12.14
	57	52	224.00	15.70	213.33	14.67	202.67	13.67	192.00	12.70	178.60	11.74	169.67	11.12
	62	56	224.00	14.64	213.33	13.70	202.67	12.77	192.00	11.88	178.60	11.00	169.67	10.42
	67	61	224.00	13.49	213.33	12.64	202.67	11.80	192.00	10.98	178.60	10.19	169.67	9.66
	72	66	224.00	12.50	213.33	11.72	202.67	10.96	192.00	10.21	178.60	9.48	169.67	9.01
	75	69	224.00	11.91	213.33	11.17	202.67	10.46	192.00	9.75	178.60	9.06	169.67	8.61

NOTE - Power Input = Compressor + Outdoor Fan Motor.  
 MBH = 1000 BTUs per hour.

# HEATING CAPACITY - TWO MODULE - VRA240H4

Combination (%)	Outdoor Temperature (°F)		Indoor Temperature - °F Dry Bulb											
			61		64		67		70		73		75	
	Dry Bulb	Wet Bulb	Total Cap. MBH	Power Input kW	Total Cap. MBH	Power Input kW	Total Cap. MBH	Power Input kW	Total Cap. MBH	Power Input kW	Total Cap. MBH	Power Input kW	Total Cap. MBH	Power Input kW
70%	-13	-13	98.33	20.95	98.33	20.97	97.93	20.98	97.73	20.99	97.73	21.00	97.73	21.01
	-8	-9	113.63	22.09	113.63	22.10	113.16	22.11	112.93	22.12	112.93	22.12	112.93	22.13
	-3	-4	129.32	23.71	129.32	23.72	128.79	23.73	128.52	23.74	128.52	23.74	128.52	23.75
	2	1	141.68	24.85	141.68	24.86	141.41	24.86	140.85	24.87	140.27	24.88	140.50	24.88
	7	6	153.68	25.72	153.68	25.72	153.46	25.73	152.82	25.73	150.41	25.74	148.47	25.74
	12	10	168.23	25.77	168.23	25.77	168.06	25.78	165.46	25.78	156.28	25.79	148.47	25.79
	17	15	180.44	25.27	179.78	25.27	176.00	25.27	168.00	25.28	156.28	25.28	148.47	25.28
	22	20	192.00	23.47	185.33	23.26	177.19	23.06	168.00	22.86	156.28	22.67	148.47	22.55
	27	24	195.56	22.29	186.22	21.88	177.19	21.48	168.00	21.09	156.28	20.70	148.47	20.45
	32	29	195.56	20.65	186.22	20.05	177.19	19.47	168.00	18.90	156.28	18.35	148.47	17.99
	37	34	195.56	19.07	186.22	18.31	177.19	17.56	168.00	16.84	156.28	16.13	148.47	15.67
	42	38	195.56	17.60	186.22	16.68	177.19	15.79	168.00	14.91	156.28	14.06	148.47	13.50
	47	43	195.56	16.02	186.22	14.97	177.19	13.95	168.00	12.95	156.28	11.98	148.47	11.35
	52	47	195.56	14.80	186.22	13.85	177.19	12.92	168.00	12.01	156.28	11.12	148.47	10.54
	57	52	195.56	13.51	186.22	12.66	177.19	11.82	168.00	11.01	156.28	10.21	148.47	9.69
	62	56	195.56	12.62	186.22	11.84	177.19	11.07	168.00	10.32	156.28	9.58	148.47	9.10
	67	61	195.56	11.66	186.22	10.95	177.19	10.25	168.00	9.57	156.28	8.90	148.47	8.46
	72	66	195.56	10.83	186.22	10.18	177.19	9.54	168.00	8.92	156.28	8.30	148.47	7.90
75	69	195.56	10.34	186.22	9.72	177.19	9.12	168.00	8.53	156.28	7.95	148.47	7.57	
60%	-13	-13	96.37	20.98	96.37	20.99	95.97	21.00	95.77	21.01	95.77	21.02	95.77	21.03
	-8	-9	107.06	22.11	105.94	22.12	104.48	22.13	103.18	22.14	101.98	22.14	101.53	22.15
	-3	-4	123.15	23.73	120.73	23.74	118.00	23.75	115.43	23.75	112.82	23.76	111.86	23.76
	2	1	141.02	24.87	137.09	24.87	132.92	24.88	128.87	24.88	124.65	24.89	123.08	24.89
	7	6	155.29	25.73	151.36	25.73	147.15	25.74	141.49	25.74	131.27	25.75	127.26	25.75
	12	10	161.44	25.78	157.87	25.78	150.91	25.79	144.00	25.79	133.95	25.79	127.26	25.80
	17	15	164.64	25.28	160.00	25.28	152.00	25.28	144.00	25.28	133.95	25.29	127.26	24.92
	22	20	167.73	22.97	161.33	22.80	153.26	22.64	144.00	22.48	133.95	22.32	127.26	21.92
	27	24	170.26	21.29	162.15	20.96	154.05	20.63	144.00	20.31	133.95	20.00	127.26	19.57
	32	29	170.26	19.20	162.15	18.72	154.05	18.25	144.00	17.79	133.95	17.34	127.26	16.87
	37	34	170.26	17.22	162.15	16.60	154.05	16.00	144.00	15.40	133.95	14.83	127.26	14.34
	42	38	170.26	15.37	162.15	14.62	154.05	13.90	144.00	13.19	133.95	12.49	127.26	11.99
	47	43	174.14	14.01	164.09	13.13	154.05	12.27	144.00	11.43	133.95	10.60	127.26	10.06
	52	47	174.14	12.48	164.09	11.71	154.05	10.96	144.00	10.22	133.95	9.49	127.26	9.02
	57	52	174.14	11.43	164.09	10.74	154.05	10.06	144.00	9.39	133.95	8.74	127.26	8.31
	62	56	174.14	10.71	164.09	10.07	154.05	9.44	144.00	8.83	133.95	8.22	127.26	7.83
	67	61	174.14	9.92	164.09	9.34	154.05	8.77	144.00	8.21	133.95	7.66	127.26	7.30
	72	66	174.14	9.24	164.09	8.71	154.05	8.19	144.00	7.67	133.95	7.17	127.26	6.84
75	69	174.14	8.84	164.09	8.33	154.05	7.84	144.00	7.35	133.95	6.87	127.26	6.56	
50%	-13	-13	94.44	21.01	94.44	21.02	94.05	21.03	93.86	21.03	93.77	21.04	93.77	21.05
	-8	-9	102.98	22.13	101.76	22.14	100.20	22.15	98.81	22.16	97.52	22.16	96.24	22.17
	-3	-4	116.48	23.75	113.85	23.76	110.92	23.76	108.14	23.77	105.43	23.78	100.16	23.78
	2	1	131.39	24.88	127.11	24.89	122.61	24.89	118.22	24.90	111.63	24.90	106.05	24.90
	7	6	137.38	25.74	131.66	25.74	125.79	25.75	120.00	25.75	111.63	25.76	106.05	25.76
	12	10	141.29	25.79	134.23	25.79	127.10	25.80	120.00	25.80	111.63	25.29	106.05	24.48
	17	15	145.12	25.53	136.74	25.28	128.37	24.92	120.00	23.72	111.63	22.89	106.05	21.59
	22	20	145.12	22.94	136.74	22.58	128.37	22.14	120.00	20.88	111.63	19.22	106.05	18.14
	27	24	145.12	20.35	136.74	20.09	128.37	19.37	120.00	18.29	111.63	16.86	106.05	15.93
	32	29	145.12	17.84	136.74	17.46	128.37	16.70	120.00	15.80	111.63	14.59	106.05	13.80
	37	34	145.12	15.47	136.74	14.99	128.37	14.19	120.00	13.45	111.63	12.45	106.05	11.79
	42	38	145.12	13.27	136.74	12.68	128.37	12.10	120.00	11.27	111.63	10.45	106.05	9.92
	47	43	145.12	11.63	136.74	10.93	128.37	10.25	120.00	9.58	111.63	8.92	106.05	8.49
	52	47	145.12	10.30	136.74	9.69	128.37	9.10	120.00	8.51	111.63	7.94	106.05	7.56
	57	52	145.12	9.47	136.74	8.92	128.37	8.39	120.00	7.86	111.63	7.34	106.05	7.00
	62	56	145.12	8.90	136.74	8.39	128.37	7.89	120.00	7.41	111.63	6.93	106.05	6.61
	67	61	145.12	8.27	136.74	7.81	128.37	7.36	120.00	6.91	111.63	6.47	106.05	6.18
	72	66	145.12	7.73	136.74	7.31	128.37	6.89	120.00	6.48	111.63	6.08	106.05	5.81
75	69	145.12	7.41	136.74	7.01	128.37	6.61	120.00	6.22	111.63	5.84	106.05	5.59	

NOTE - Power Input = Compressor + Outdoor Fan Motor.  
MBH = 1000 BTUs per hour.



## COOLING CAPACITY - TWO MODULE - VRA264H4

Combination (%)	Outdoor Temperature °F (Dry Bulb)	Indoor Temperature - °F (Dry Bulb / Wet Bulb)											
		67 / 57		71 / 60		75 / 63		80 / 67		85 / 71		90 / 75	
		Total Cap.	Power Input	Total Cap.	Power Input	Total Cap.	Power Input	Total Cap.	Power Input	Total Cap.	Power Input	Total Cap.	Power Input
		MBH	kW	MBH	kW	MBH	kW	MBH	kW	MBH	kW	MBH	kW
130%	25	212.86	10.07	247.23	11.91	281.59	13.81	327.41	16.20	354.34	15.71	363.14	15.16
	30	212.86	10.21	247.23	12.08	281.59	14.02	327.41	16.16	348.89	15.65	357.00	15.08
	35	212.86	10.35	247.23	12.26	281.59	14.24	327.41	16.11	343.16	15.59	351.27	15.00
	40	212.86	10.50	247.23	12.45	281.59	14.46	327.41	16.06	337.43	15.53	345.55	14.92
	45	212.86	10.65	247.23	12.64	281.59	14.70	322.64	16.01	331.70	15.46	340.30	14.83
	50	212.86	10.81	247.23	12.84	281.59	14.94	317.86	15.96	325.98	15.39	335.05	14.74
	55	212.86	10.97	247.23	13.05	281.59	15.19	311.90	15.90	320.13	15.42	329.08	15.94
	60	212.86	11.15	247.23	13.26	281.59	15.45	305.93	16.09	314.52	16.66	323.11	17.24
	65	212.86	11.32	247.23	13.49	281.59	16.06	296.39	17.30	305.34	17.92	313.57	18.55
	70	212.86	11.51	247.23	14.29	278.41	17.53	294.95	18.52	303.07	19.19	312.14	19.87
	75	212.86	12.38	247.23	15.53	274.59	19.01	289.23	19.75	297.34	20.48	306.41	21.21
	80	212.86	13.39	247.23	16.83	270.61	20.20	283.26	20.99	291.85	21.78	300.44	22.57
	85	212.86	14.44	247.23	18.20	266.95	21.40	277.30	22.25	286.13	23.10	294.48	23.95
	90	212.86	15.55	246.69	19.63	263.06	22.61	272.05	23.52	280.40	24.43	288.51	25.17
	95	212.86	16.71	242.93	21.15	257.41	23.83	266.32	24.80	274.43	25.63	275.86	25.73
	100	212.86	17.93	239.17	22.74	251.92	25.06	259.64	25.98	261.78	26.09	261.78	26.20
	105	212.86	19.22	234.58	24.43	245.42	26.22	248.18	26.33	248.18	26.45	248.18	26.56
	110	212.86	20.57	228.61	24.07	233.86	24.66	233.86	25.47	233.86	26.30	233.86	26.82
115	201.41	23.36	202.13	23.36	202.36	23.42	203.32	23.45	203.32	23.49	204.27	23.54	
118	173.21	21.29	173.83	21.29	174.03	21.35	174.85	21.37	174.85	21.42	175.67	21.46	
120%	25	196.64	9.43	228.14	11.09	259.64	12.82	302.59	15.20	342.55	15.99	356.73	15.51
	30	196.64	9.56	228.14	11.24	259.64	13.01	302.59	15.43	339.82	15.94	351.27	15.44
	35	196.64	9.68	228.14	11.41	259.64	13.21	302.59	15.68	336.00	15.88	345.55	15.38
	40	196.64	9.82	228.14	11.58	259.64	13.41	302.59	15.93	332.18	15.83	339.82	15.30
	45	196.64	9.95	228.14	11.75	259.64	13.62	302.59	16.19	326.45	15.77	334.09	15.23
	50	196.64	10.10	228.14	11.93	259.64	13.85	302.59	16.20	320.73	15.70	328.36	15.15
	55	196.64	10.24	228.14	12.12	259.64	14.07	302.59	16.15	314.76	15.64	322.64	15.62
	60	196.64	10.40	228.14	12.32	259.64	14.31	300.68	16.10	309.03	16.35	317.39	16.88
	65	196.64	10.56	228.14	12.52	259.64	14.56	292.33	17.01	300.44	17.58	307.84	18.16
	70	196.64	10.73	228.14	12.98	259.64	15.81	290.18	18.20	297.82	18.83	305.45	19.45
	75	196.64	11.33	228.14	14.09	259.64	17.19	284.45	19.41	292.09	20.08	299.73	20.76
	80	196.64	12.25	228.14	15.26	259.48	18.65	278.49	20.62	286.24	21.35	294.72	22.08
	85	196.64	13.20	228.14	16.48	257.41	20.18	272.52	21.85	280.88	22.64	288.75	23.42
	90	196.64	14.20	228.14	17.77	253.43	21.79	267.27	23.09	275.15	23.94	282.78	24.78
	95	196.64	15.24	228.14	19.12	250.09	23.45	261.55	24.35	269.18	25.25	275.86	25.73
	100	196.64	16.34	228.14	20.54	246.11	24.66	255.58	25.62	261.07	26.09	261.78	26.20
	105	196.64	17.49	227.18	22.04	242.03	25.88	247.55	26.33	248.18	26.45	248.18	26.56
	110	196.64	18.71	223.13	23.63	233.23	24.66	233.86	25.47	233.86	26.30	233.86	26.82
115	196.64	20.21	200.93	22.57	202.36	23.42	203.32	23.45	203.32	23.49	204.27	23.54	
118	173.21	18.92	173.83	20.71	174.03	21.35	174.85	21.37	174.85	21.42	175.67	21.46	
110%	25	179.45	8.81	208.81	10.29	238.32	11.84	276.82	13.99	315.95	16.19	351.00	15.84
	30	179.45	8.92	208.81	10.43	238.32	12.01	276.82	14.20	315.95	16.20	345.55	15.78
	35	179.45	9.03	208.81	10.57	238.32	12.19	276.82	14.42	315.95	16.15	339.82	15.72
	40	179.45	9.15	208.81	10.72	238.32	12.37	276.82	14.65	315.95	16.10	334.09	15.66
	45	179.45	9.27	208.81	10.88	238.32	12.57	276.82	14.89	313.81	16.05	328.36	15.60
	50	179.45	9.40	208.81	11.04	238.32	12.76	276.82	15.13	311.66	16.00	322.64	15.53
	55	179.45	9.53	208.81	11.21	238.32	12.97	276.82	15.39	308.56	15.95	316.67	15.46
	60	179.45	9.67	208.81	11.39	238.32	13.19	276.82	15.65	304.02	16.04	311.18	16.53
	65	179.45	9.81	208.81	11.57	238.32	13.41	276.82	16.35	294.48	17.25	302.83	17.77
	70	179.45	9.96	208.81	11.77	238.32	14.18	276.82	17.85	292.09	18.46	299.73	19.03
	75	179.45	10.34	208.81	12.73	238.32	15.41	276.82	19.07	286.84	19.69	294.00	20.30
	80	179.45	11.16	208.81	13.77	238.32	16.70	273.72	20.25	281.35	20.92	288.27	21.59
	85	179.45	12.02	208.81	14.86	238.32	18.05	267.75	21.46	275.39	22.17	283.02	22.89
	90	179.45	12.91	208.81	16.00	238.32	19.48	262.50	22.67	269.42	23.44	277.06	24.21
	95	179.45	13.85	208.81	17.20	238.32	20.98	256.77	23.89	263.93	24.72	271.09	25.55
	100	179.45	14.83	208.81	18.47	236.41	22.56	250.81	25.13	258.09	26.02	261.78	26.20
	105	179.45	15.86	208.81	19.80	232.80	24.23	245.32	26.33	248.02	26.45	248.18	26.56
	110	179.45	16.95	208.81	21.20	228.77	24.66	233.86	25.47	233.86	26.30	233.86	26.82
115	179.45	18.09	196.64	21.96	202.36	23.42	203.32	23.45	203.32	23.49	204.27	23.54	
118	173.21	18.21	173.83	20.59	174.03	21.35	174.85	21.37	174.85	21.42	175.67	21.46	

NOTE - Power Input = Compressor + Outdoor Fan Motor.  
MBH = 1000 BTUs per hour.

## COOLING CAPACITY - TWO MODULE - VRA264H4

Combination (%)	Outdoor Temperature °F (Dry Bulb)	Indoor Temperature - °F (Dry Bulb / Wet Bulb)											
		67 / 57		71 / 60		75 / 63		80 / 67		85 / 71		90 / 75	
		Total Cap.	Power Input	Total Cap.	Power Input	Total Cap.	Power Input	Total Cap.	Power Input	Total Cap.	Power Input	Total Cap.	Power Input
		MBH	kW	MBH	kW	MBH	kW	MBH	kW	MBH	kW	MBH	kW
100%	25	163.23	8.20	189.72	9.50	216.36	10.88	252.00	12.80	287.32	14.78	322.64	16.14
	30	163.23	8.30	189.72	9.63	216.36	11.03	252.00	12.99	287.32	15.01	322.64	16.09
	35	163.23	8.40	189.72	9.76	216.36	11.19	252.00	13.19	287.32	15.24	322.64	16.04
	40	163.23	8.50	189.72	9.89	216.36	11.36	252.00	13.39	287.32	15.48	322.64	15.99
	45	163.23	8.61	189.72	10.03	216.36	11.53	252.00	13.60	287.32	15.74	319.77	15.94
	50	163.23	8.72	189.72	10.18	216.36	11.70	252.00	13.82	287.32	16.00	316.91	15.88
	55	163.23	8.84	189.72	10.33	216.36	11.89	252.00	14.05	287.32	16.23	310.94	15.82
	60	163.23	8.96	189.72	10.48	216.36	12.08	252.00	14.29	287.32	16.18	304.98	16.17
	65	163.23	9.09	189.72	10.65	216.36	12.28	252.00	14.54	286.24	16.91	295.43	17.39
	70	163.23	9.22	189.72	10.82	216.36	12.65	252.00	15.78	283.50	18.09	294.00	18.61
	75	163.23	9.40	189.72	11.45	216.36	13.74	252.00	17.16	281.11	19.29	288.27	19.85
	80	163.23	10.14	189.72	12.37	216.36	14.87	252.00	18.61	275.74	20.49	282.31	21.10
	85	163.23	10.90	189.72	13.34	216.36	16.06	252.00	20.14	270.14	21.71	276.34	22.37
	90	163.23	11.70	189.72	14.35	216.36	17.31	252.00	21.74	264.17	22.95	271.09	23.65
	95	163.23	12.54	189.72	15.40	216.36	18.62	252.00	23.44	258.68	24.19	265.36	24.94
	100	163.23	13.41	189.72	16.52	216.36	20.00	246.03	24.65	252.84	25.45	258.92	26.20
	105	163.23	14.32	189.72	17.68	216.36	21.46	240.55	25.87	246.43	26.45	248.18	26.56
	110	163.23	15.28	189.72	18.92	216.36	22.99	233.86	25.47	233.86	26.30	233.86	26.82
115	163.23	16.29	189.72	19.31	201.09	22.49	203.32	23.45	203.32	23.49	204.27	23.54	
118	163.23	17.01	166.95	18.02	174.03	20.61	174.85	21.37	174.85	21.42	175.67	21.46	
90%	25	147.00	7.61	171.34	8.75	195.36	9.95	227.18	11.63	258.68	13.38	290.18	15.17
	30	147.00	7.70	171.34	8.86	195.36	10.08	227.18	11.80	258.68	13.58	290.18	15.40
	35	147.00	7.78	171.34	8.97	195.36	10.22	227.18	11.97	258.68	13.79	290.18	15.65
	40	147.00	7.87	171.34	9.08	195.36	10.36	227.18	12.15	258.68	14.00	290.18	15.90
	45	147.00	7.97	171.34	9.21	195.36	10.51	227.18	12.34	258.68	14.23	290.18	16.15
	50	147.00	8.07	171.34	9.33	195.36	10.67	227.18	12.53	258.68	14.46	290.18	16.20
	55	147.00	8.17	171.34	9.46	195.36	10.83	227.18	12.73	258.68	14.70	290.18	16.15
	60	147.00	8.27	171.34	9.60	195.36	11.00	227.18	12.94	258.68	14.95	290.18	16.10
	65	147.00	8.38	171.34	9.74	195.36	11.17	227.18	13.16	258.68	15.36	290.18	17.00
	70	147.00	8.50	171.34	9.89	195.36	11.35	227.18	13.84	258.68	16.77	287.32	18.19
	75	147.00	8.62	171.34	10.25	195.36	12.17	227.18	15.04	258.68	18.25	281.59	19.40
	80	147.00	9.17	171.34	11.06	195.36	13.16	227.18	16.29	258.68	19.80	276.58	20.61
	85	147.00	9.85	171.34	11.91	195.36	14.19	227.18	17.61	257.97	21.25	270.61	21.84
	90	147.00	10.56	171.34	12.79	195.36	15.28	227.18	18.99	255.82	22.45	264.65	23.08
	95	147.00	11.30	171.34	13.72	195.36	16.42	227.18	20.45	252.95	23.66	259.64	24.34
	100	147.00	12.07	171.34	14.69	195.36	17.61	227.18	21.99	247.47	24.89	253.67	25.61
	105	147.00	12.88	171.34	15.71	195.36	18.87	227.18	23.61	241.98	26.12	246.91	26.56
	110	147.00	13.72	171.34	16.78	195.36	20.20	227.18	25.32	233.86	26.30	233.86	26.82
115	147.00	14.61	171.34	17.91	194.73	21.53	203.32	23.45	203.32	23.49	204.27	23.54	
118	147.00	15.48	166.95	17.50	169.41	19.86	174.85	21.37	174.85	21.42	175.67	21.46	
80%	25	130.77	7.04	152.25	8.02	173.41	9.04	201.41	10.49	229.57	12.00	258.68	13.56
	30	130.77	7.12	152.25	8.11	173.41	9.16	201.41	10.63	229.57	12.18	258.68	13.77
	35	130.77	7.19	152.25	8.20	173.41	9.28	201.41	10.78	229.57	12.36	258.68	13.98
	40	130.77	7.27	152.25	8.30	173.41	9.40	201.41	10.94	229.57	12.55	258.68	14.20
	45	130.77	7.35	152.25	8.41	173.41	9.53	201.41	11.10	229.57	12.74	258.68	14.43
	50	130.77	7.43	152.25	8.52	173.41	9.66	201.41	11.27	229.57	12.95	258.68	14.67
	55	130.77	7.52	152.25	8.63	173.41	9.80	201.41	11.44	229.57	13.16	258.68	14.91
	60	130.77	7.61	152.25	8.75	173.41	9.95	201.41	11.63	229.57	13.37	258.68	15.17
	65	130.77	7.71	152.25	8.87	173.41	10.10	201.41	11.82	229.57	13.60	258.68	15.66
	70	130.77	7.80	152.25	9.00	173.41	10.25	201.41	12.05	229.57	14.45	258.68	17.10
	75	130.77	7.91	152.25	9.13	173.41	10.71	201.41	13.07	229.57	15.70	258.68	18.61
	80	130.77	8.27	152.25	9.83	173.41	11.57	201.41	14.14	229.57	17.02	258.68	20.12
	85	130.77	8.87	152.25	10.57	173.41	12.46	201.41	15.27	229.57	18.40	258.68	21.31
	90	130.77	9.49	152.25	11.34	173.41	13.39	201.41	16.45	229.57	19.86	257.97	22.52
	95	130.77	10.14	152.25	12.15	173.41	14.37	201.41	17.68	229.57	21.39	252.95	23.73
	100	130.77	10.82	152.25	12.99	173.41	15.40	201.41	18.99	229.57	23.00	247.23	24.96
	105	130.77	11.52	152.25	13.87	173.41	16.47	201.41	20.36	229.57	24.71	241.82	26.21
	110	130.77	12.26	152.25	14.79	173.41	17.61	201.41	21.81	227.18	26.30	233.86	26.82
115	130.77	13.03	152.25	15.76	173.41	18.80	201.41	21.02	203.32	23.49	204.27	23.54	
118	130.77	13.81	152.25	16.70	169.41	18.00	174.85	19.26	174.85	21.42	175.67	21.46	

NOTE - Power Input = Compressor + Outdoor Fan Motor.  
MBH = 1000 BTUs per hour.

## COOLING CAPACITY - TWO MODULE - VRA264H4

Combination (%)	Outdoor Temperature °F (Dry Bulb)	Indoor Temperature - °F (Dry Bulb / Wet Bulb)											
		67 / 57		71 / 60		75 / 63		80 / 67		85 / 71		90 / 75	
		Total Cap.	Power Input	Total Cap.	Power Input	Total Cap.	Power Input	Total Cap.	Power Input	Total Cap.	Power Input	Total Cap.	Power Input
		MBH	kW	MBH	kW	MBH	kW	MBH	kW	MBH	kW	MBH	kW
70%	25	114.55	6.50	133.16	7.31	151.45	8.17	176.59	9.39	200.93	10.67	226.23	11.99
	30	114.55	6.56	133.16	7.39	151.45	8.27	176.59	9.51	200.93	10.81	226.23	12.17
	35	114.55	6.62	133.16	7.47	151.45	8.37	176.59	9.64	200.93	10.97	226.23	12.35
	40	114.55	6.69	133.16	7.56	151.45	8.47	176.59	9.77	200.93	11.13	226.23	12.54
	45	114.55	6.75	133.16	7.64	151.45	8.58	176.59	9.90	200.93	11.29	226.23	12.73
	50	114.55	6.82	133.16	7.73	151.45	8.69	176.59	10.05	200.93	11.47	226.23	12.93
	55	114.55	6.90	133.16	7.83	151.45	8.81	176.59	10.19	200.93	11.64	226.23	13.15
	60	114.55	6.97	133.16	7.93	151.45	8.93	176.59	10.35	200.93	11.83	226.23	13.36
	65	114.55	7.05	133.16	8.03	151.45	9.06	176.59	10.51	200.93	12.02	226.23	13.59
	70	114.55	7.14	133.16	8.13	151.45	9.19	176.59	10.67	200.93	12.32	226.23	14.43
	75	114.55	7.22	133.16	8.25	151.45	9.36	176.59	11.26	200.93	13.37	226.23	15.69
	80	114.55	7.42	133.16	8.69	151.45	10.10	176.59	12.17	200.93	14.47	226.23	17.00
	85	114.55	7.95	133.16	9.33	151.45	10.86	176.59	13.11	200.93	15.62	226.23	18.38
	90	114.55	8.49	133.16	10.00	151.45	11.65	176.59	14.10	200.93	16.83	226.23	19.83
	95	114.55	9.06	133.16	10.69	151.45	12.48	176.59	15.14	200.93	18.10	226.23	21.36
	100	114.55	9.65	133.16	11.41	151.45	13.35	176.59	16.23	200.93	19.44	226.23	22.98
	105	114.55	10.26	133.16	12.16	151.45	14.26	176.59	17.38	200.93	20.85	226.23	24.68
	110	114.55	10.90	133.16	12.95	151.45	15.22	176.59	18.58	200.93	22.34	226.23	26.49
115	114.55	11.56	133.16	13.77	151.45	16.22	176.59	19.85	199.02	21.74	204.27	23.54	
118	114.55	12.26	133.16	14.60	151.45	17.19	158.93	18.68	174.85	20.24	175.67	21.46	
60%	25	98.32	5.98	114.07	6.64	130.14	7.35	150.82	8.34	172.30	9.38	193.77	10.47
	30	98.32	6.03	114.07	6.71	130.14	7.42	150.82	8.43	172.30	9.50	193.77	10.61
	35	98.32	6.08	114.07	6.77	130.14	7.50	150.82	8.54	172.30	9.63	193.77	10.76
	40	98.32	6.13	114.07	6.84	130.14	7.59	150.82	8.65	172.30	9.76	193.77	10.92
	45	98.32	6.19	114.07	6.91	130.14	7.68	150.82	8.76	172.30	9.89	193.77	11.08
	50	98.32	6.24	114.07	6.98	130.14	7.77	150.82	8.87	172.30	10.04	193.77	11.25
	55	98.32	6.30	114.07	7.06	130.14	7.86	150.82	8.99	172.30	10.18	193.77	11.42
	60	98.32	6.37	114.07	7.14	130.14	7.96	150.82	9.12	172.30	10.34	193.77	11.60
	65	98.32	6.43	114.07	7.22	130.14	8.07	150.82	9.25	172.30	10.50	193.77	11.79
	70	98.32	6.50	114.07	7.31	130.14	8.17	150.82	9.39	172.30	10.66	193.77	12.02
	75	98.32	6.57	114.07	7.40	130.14	8.29	150.82	9.61	172.30	11.25	193.77	13.04
	80	98.32	6.64	114.07	7.64	130.14	8.74	150.82	10.36	172.30	12.15	193.77	14.11
	85	98.32	7.09	114.07	8.19	130.14	9.39	150.82	11.15	172.30	13.10	193.77	15.23
	90	98.32	7.56	114.07	8.75	130.14	10.06	150.82	11.97	172.30	14.09	193.77	16.40
	95	98.32	8.06	114.07	9.34	130.14	10.75	150.82	12.83	172.30	15.12	193.77	17.64
	100	98.32	8.56	114.07	9.95	130.14	11.48	150.82	13.72	172.30	16.21	193.77	18.94
	105	98.32	9.09	114.07	10.59	130.14	12.24	150.82	14.66	172.30	17.35	193.77	20.31
	110	98.32	9.64	114.07	11.25	130.14	13.03	150.82	15.65	172.30	18.56	193.77	21.75
115	98.32	10.20	114.07	11.94	130.14	13.86	150.82	16.69	172.30	19.83	193.77	22.03	
118	98.32	10.82	114.07	12.66	130.14	14.69	150.82	17.69	158.51	19.34	175.67	20.08	
50%	25	82.09	5.48	94.98	6.01	108.82	6.56	125.05	7.34	143.66	8.16	161.32	9.02
	30	82.09	5.52	94.98	6.06	108.82	6.62	125.05	7.42	143.66	8.25	161.32	9.13
	35	82.09	5.56	94.98	6.11	108.82	6.68	125.05	7.50	143.66	8.35	161.32	9.25
	40	82.09	5.60	94.98	6.16	108.82	6.75	125.05	7.58	143.66	8.46	161.32	9.37
	45	82.09	5.65	94.98	6.22	108.82	6.82	125.05	7.67	143.66	8.56	161.32	9.50
	50	82.09	5.69	94.98	6.28	108.82	6.89	125.05	7.76	143.66	8.68	161.32	9.63
	55	82.09	5.74	94.98	6.34	108.82	6.97	125.05	7.85	143.66	8.79	161.32	9.77
	60	82.09	5.79	94.98	6.40	108.82	7.04	125.05	7.95	143.66	8.91	161.32	9.91
	65	82.09	5.84	94.98	6.46	108.82	7.13	125.05	8.06	143.66	9.04	161.32	10.06
	70	82.09	5.89	94.98	6.53	108.82	7.21	125.05	8.16	143.66	9.17	161.32	10.22
	75	82.09	5.95	94.98	6.60	108.82	7.30	125.05	8.28	143.66	9.34	161.32	10.67
	80	82.09	6.01	94.98	6.68	108.82	7.51	125.05	8.73	143.66	10.07	161.32	11.52
	85	82.09	6.30	94.98	7.14	108.82	8.05	125.05	9.37	143.66	10.83	161.32	12.41
	90	82.09	6.71	94.98	7.61	108.82	8.60	125.05	10.04	143.66	11.62	161.32	13.34
	95	82.09	7.13	94.98	8.11	108.82	9.18	125.05	10.74	143.66	12.45	161.32	14.31
	100	82.09	7.56	94.98	8.62	108.82	9.78	125.05	11.46	143.66	13.31	161.32	15.33
	105	82.09	8.01	94.98	9.15	108.82	10.40	125.05	12.22	143.66	14.22	161.32	16.40
	110	82.09	8.48	94.98	9.70	108.82	11.05	125.05	13.01	143.66	15.17	161.32	17.53
115	82.09	8.96	94.98	10.28	108.82	11.72	125.05	13.84	143.66	16.17	161.32	18.72	
118	82.09	9.49	94.98	10.89	108.82	12.43	125.05	14.67	143.66	17.14	161.32	19.84	

NOTE - Power Input = Compressor + Outdoor Fan Motor.  
MBH = 1000 BTUs per hour.

## HEATING CAPACITY - TWO MODULE - VRA264H4

Combination (%)	Outdoor Temperature (°F)		Indoor Temperature - °F Dry Bulb											
			61		64		67		70		73		75	
	Dry Bulb	Wet Bulb	Total Cap. MBH	Power Input kW	Total Cap. MBH	Power Input kW	Total Cap. MBH	Power Input kW	Total Cap. MBH	Power Input kW	Total Cap. MBH	Power Input kW	Total Cap. MBH	Power Input kW
130%	-13	-13	114.00	15.06	113.56	15.98	113.28	16.75	112.90	17.54	112.50	18.26	112.37	18.74
	-8	-9	136.35	17.67	135.82	18.53	135.48	19.27	135.02	20.00	134.55	20.67	134.38	21.12
	-3	-4	156.27	20.55	155.66	21.31	155.27	21.97	154.75	22.60	154.21	23.17	154.02	23.57
	2	1	173.24	23.39	172.74	23.98	171.99	24.52	171.35	25.00	170.96	25.44	170.37	25.75
	7	6	187.56	25.49	187.23	25.89	186.51	26.26	185.83	26.57	185.36	26.87	184.75	27.09
	12	10	202.89	26.98	202.55	27.19	201.73	27.36	201.08	27.50	200.60	27.65	199.89	27.76
	17	15	220.97	28.23	220.62	28.24	219.80	28.24	218.98	28.25	218.83	28.26	218.52	28.26
	22	20	230.27	27.90	229.93	27.90	229.81	27.91	228.31	27.92	228.16	27.92	227.86	27.93
	27	24	245.19	27.32	245.11	27.33	244.68	27.34	243.59	27.34	243.12	27.35	242.87	27.35
	32	29	259.74	26.58	259.54	26.58	258.67	26.59	257.99	26.59	257.52	26.60	256.93	26.60
	37	34	276.89	25.58	276.34	25.58	275.66	25.59	275.19	25.59	274.71	25.60	274.22	25.60
	42	38	300.80	24.57	300.35	24.58	299.60	24.58	292.11	24.58	289.80	24.59	287.37	24.36
	47	43	325.36	23.48	317.98	23.48	310.61	23.48	303.23	23.49	298.82	23.49	295.13	23.27
	52	47	337.79	23.04	330.42	23.05	323.04	23.05	315.66	23.05	311.37	22.95	303.37	22.74
	57	52	353.33	22.56	345.96	22.56	338.58	22.56	331.20	22.56	321.91	22.36	311.66	22.04
	62	56	365.76	22.23	358.39	22.03	351.01	22.03	343.64	22.03	330.01	21.68	314.84	20.73
	67	61	378.05	21.83	370.74	21.64	363.42	21.45	353.04	21.45	331.41	20.25	314.84	19.24
72	66	390.06	21.57	382.81	21.27	375.56	21.07	356.27	20.39	331.41	18.91	314.84	17.83	
75	69	399.21	21.40	391.96	21.00	384.71	20.71	358.20	19.52	331.41	17.77	314.84	16.76	
120%	-13	-13	113.34	16.55	113.14	17.19	112.74	17.86	112.44	18.50	112.06	19.09	111.80	19.50
	-8	-9	135.56	19.07	135.31	19.68	134.83	20.30	134.47	20.91	134.02	21.44	133.70	21.81
	-3	-4	155.36	21.76	155.08	22.31	154.53	22.85	154.11	23.40	153.60	23.85	153.24	24.16
	2	1	172.01	24.32	171.70	24.76	171.22	25.18	170.94	25.65	170.00	25.97	169.76	26.21
	7	6	186.48	26.14	185.99	26.41	185.54	26.70	185.39	27.05	184.48	27.22	183.94	27.38
	12	10	201.70	27.32	201.23	27.44	200.99	27.57	200.63	27.75	199.64	27.83	199.15	27.94
	17	15	220.51	28.24	219.36	28.25	218.98	28.25	218.52	28.26	217.45	28.27	217.45	28.27
	22	20	229.81	27.91	228.69	27.91	228.31	27.92	227.86	27.92	227.51	27.93	226.81	27.93
	27	24	244.48	27.33	243.81	27.34	243.36	27.34	243.13	27.35	242.50	27.35	241.76	27.36
	32	29	258.67	26.58	258.16	26.59	257.87	26.59	257.54	26.60	256.46	26.60	256.34	26.60
	37	34	272.41	25.36	271.86	25.36	271.53	25.36	270.94	25.37	269.97	25.37	269.83	25.38
	42	38	290.45	24.14	287.82	24.14	287.60	24.14	287.11	24.15	278.53	24.15	276.77	24.15
	47	43	317.72	22.86	310.86	22.86	304.01	22.87	297.15	22.87	288.65	22.87	282.49	22.87
	52	47	330.23	22.64	323.37	22.64	316.52	22.64	309.66	22.64	299.78	22.65	285.69	22.58
	57	52	338.67	22.36	330.51	22.36	323.83	22.36	317.15	22.36	304.18	21.76	288.97	20.48
	62	56	350.91	22.13	342.71	22.13	334.57	22.14	326.62	21.98	304.18	20.22	288.97	19.05
	67	61	366.71	21.85	358.43	21.85	350.52	21.72	328.86	20.17	305.92	18.54	290.62	17.48
72	66	380.39	21.57	372.55	21.45	351.81	20.09	328.86	18.57	305.92	17.09	290.62	16.13	
75	69	389.55	21.40	381.03	21.21	352.58	19.12	328.86	17.61	305.92	16.23	290.62	15.32	
110%	-13	-13	112.70	17.67	112.50	18.33	112.10	18.85	111.80	19.45	111.49	19.86	111.16	20.18
	-8	-9	134.80	20.13	134.55	20.73	134.07	21.21	133.70	21.77	133.34	22.14	132.94	22.41
	-3	-4	154.49	22.71	154.21	23.22	153.65	23.64	153.24	24.13	152.82	24.45	152.36	24.66
	2	1	171.35	25.09	171.04	25.47	170.36	25.79	169.76	26.19	169.55	26.43	169.32	26.56
	7	6	185.66	26.64	185.46	26.90	184.86	27.10	183.94	27.39	183.88	27.49	183.77	27.55
	12	10	200.95	27.53	200.71	27.69	200.05	27.75	199.46	27.93	199.10	28.00	199.02	28.00
	17	15	220.22	28.25	220.22	28.26	219.20	28.26	218.69	28.27	218.22	28.27	218.22	28.28
	22	20	228.31	27.91	227.97	27.92	227.86	27.93	226.81	27.93	226.35	27.94	226.35	27.87
	27	24	243.59	27.34	243.33	27.34	243.00	27.35	241.76	27.35	241.53	27.36	241.30	27.23
	32	29	257.99	26.59	257.86	26.59	256.95	26.60	256.34	26.60	256.07	26.61	256.07	26.41
	37	34	268.64	25.36	268.10	25.37	267.44	25.37	266.98	25.37	266.37	25.38	264.80	25.13
	42	38	283.61	24.14	281.53	24.15	279.27	24.15	278.76	24.15	272.35	24.16	266.40	23.85
	47	43	302.17	22.86	296.00	22.87	292.37	22.87	286.14	22.87	279.46	22.87	266.40	22.11
	52	47	314.50	22.64	306.59	22.64	300.45	22.65	294.32	22.65	280.42	21.64	266.40	20.37
	57	52	327.98	22.36	321.85	22.36	315.71	22.36	301.46	21.39	280.42	19.65	266.40	18.52
	62	56	340.20	22.13	334.06	22.14	322.49	21.52	301.46	19.87	280.42	18.28	266.40	17.24
	67	61	355.46	21.85	343.52	21.24	322.49	19.71	301.46	18.23	280.42	16.79	266.40	15.85
72	66	364.55	20.96	343.52	19.54	322.49	18.16	301.46	16.81	280.42	15.50	266.40	14.65	
75	69	370.01	20.42	343.52	18.52	322.49	17.22	301.46	15.96	280.42	14.73	266.40	13.93	

NOTE - Power Input = Compressor + Outdoor Fan Motor.  
MBH = 1000 BTUs per hour.

# HEATING CAPACITY - TWO MODULE - VRA264H4

Combination (%)	Outdoor Temperature (°F)		Indoor Temperature - °F Dry Bulb											
			61		64		67		70		73		75	
	Dry Bulb	Wet Bulb	Total Cap. MBH	Power Input kW	Total Cap. MBH	Power Input kW	Total Cap. MBH	Power Input kW	Total Cap. MBH	Power Input kW	Total Cap. MBH	Power Input kW	Total Cap. MBH	Power Input kW
100%	-13	-13	112.19	18.84	111.90	19.29	111.66	19.73	111.16	20.18	111.02	20.77	110.89	21.62
	-8	-9	134.18	21.21	133.82	21.62	133.54	22.03	132.94	22.42	132.78	23.01	132.61	23.95
	-3	-4	153.78	23.66	153.37	23.99	153.05	24.36	152.36	24.66	152.18	25.24	151.99	26.28
	2	1	170.12	25.84	169.85	26.07	169.67	26.37	169.32	26.56	168.49	27.11	168.39	27.90
	7	6	184.75	27.16	184.14	27.29	183.94	27.52	183.77	27.60	182.73	28.11	182.48	28.93
	12	10	199.89	27.81	199.57	27.81	199.25	27.94	199.02	27.95	198.07	28.42	197.66	29.25
	17	15	217.22	28.26	216.43	28.27	215.86	28.27	213.75	28.28	215.20	28.54	214.19	28.80
	22	20	227.86	28.10	227.07	28.10	226.51	28.10	226.35	28.10	226.20	28.02	225.90	28.04
	27	24	242.87	27.64	242.04	27.64	241.68	27.64	241.30	27.64	241.01	27.03	237.83	27.06
	32	29	256.93	27.41	256.48	27.29	256.16	27.05	256.07	27.05	252.12	26.12	242.18	25.81
	37	34	267.70	26.54	267.16	26.42	266.83	26.19	265.60	25.96	254.22	24.76	242.18	24.36
	42	38	282.07	25.61	278.85	25.39	275.42	25.06	267.40	24.84	254.37	23.41	242.18	22.23
	47	43	294.77	24.63	290.48	24.43	283.30	24.12	270.00	23.70	254.93	20.99	242.18	19.77
	52	47	308.63	23.90	300.05	23.38	290.24	22.64	270.00	21.25	254.93	19.53	242.18	18.41
	57	52	321.07	23.09	308.37	22.26	293.17	20.88	270.00	19.30	254.93	17.77	242.18	16.77
	62	56	330.01	22.08	312.29	20.71	293.17	19.24	270.00	17.80	254.93	16.41	242.18	15.50
	67	61	331.41	20.36	312.29	18.99	293.17	17.66	270.00	16.36	254.93	15.10	242.18	14.27
	72	66	331.41	18.74	312.29	17.50	293.17	16.29	270.00	15.11	254.93	13.96	242.18	13.21
75	69	331.41	17.77	312.29	16.61	293.17	15.47	270.00	14.36	254.93	13.28	242.18	12.58	
90%	-13	-13	110.81	20.72	110.44	21.22	110.18	21.71	110.05	22.20	109.57	22.65	109.48	23.78
	-8	-9	132.53	23.33	132.09	23.78	131.78	24.23	131.61	24.66	131.05	25.09	130.94	26.35
	-3	-4	150.57	26.02	150.06	26.39	149.71	26.79	149.52	27.13	148.88	27.53	148.76	28.66
	2	1	167.43	28.42	166.79	28.68	166.34	29.01	166.17	29.22	165.72	29.57	165.41	30.12
	7	6	181.00	30.25	180.40	30.26	180.03	30.26	179.56	30.27	179.25	30.28	178.95	30.28
	12	10	194.79	29.32	194.69	29.33	193.97	29.33	193.32	29.34	193.10	29.35	192.89	29.35
	17	15	214.37	28.52	214.37	28.53	213.66	28.53	212.86	28.54	212.86	28.54	212.86	28.55
	22	20	219.92	27.93	219.92	27.94	219.63	27.85	219.49	27.71	220.94	27.57	216.07	27.47
	27	24	235.36	27.35	233.13	27.36	232.88	27.18	232.69	26.89	227.46	26.61	217.97	26.43
	32	29	250.68	26.60	245.64	26.61	243.30	26.35	241.94	25.92	229.44	25.51	217.97	25.24
	37	34	265.18	25.37	257.86	25.38	253.68	25.04	246.65	24.50	229.44	23.44	217.97	22.31
	42	38	278.34	24.15	268.66	24.16	259.08	23.75	246.65	22.67	229.44	20.99	217.97	19.90
	47	43	290.13	23.43	276.16	22.87	263.85	21.86	246.65	20.20	229.44	18.58	217.97	17.53
	52	47	293.39	22.65	281.06	21.70	263.85	20.14	246.65	18.63	229.44	17.16	217.97	16.21
	57	52	298.27	21.12	281.06	19.70	263.85	18.31	246.65	16.96	229.44	15.65	217.97	14.80
	62	56	298.27	19.63	281.06	18.33	263.85	17.05	246.65	15.81	229.44	14.61	217.97	13.82
	67	61	298.27	18.01	281.06	16.83	263.85	15.68	246.65	14.56	229.44	13.47	217.97	12.75
	72	66	298.27	16.61	281.06	15.54	263.85	14.50	246.65	13.47	229.44	12.48	217.97	11.83
75	69	298.27	15.77	281.06	14.77	263.85	13.78	246.65	12.82	229.44	11.88	217.97	11.27	
80%	-13	-13	109.64	22.79	109.32	23.34	109.12	23.88	108.95	24.42	108.74	24.91	108.45	25.93
	-8	-9	131.13	25.67	130.75	26.16	130.51	26.66	130.30	27.13	130.04	27.60	129.70	28.75
	-3	-4	148.98	28.63	148.54	29.03	148.27	29.47	148.03	29.84	147.74	30.28	147.36	31.30
	2	1	165.36	30.87	165.15	31.15	164.80	31.51	164.47	31.74	164.24	32.12	163.98	32.83
	7	6	178.41	30.65	178.01	30.66	177.62	30.67	177.37	30.67	177.21	30.68	177.02	30.82
	12	10	190.68	29.59	190.37	29.60	190.27	29.60	189.96	29.61	189.68	29.61	189.08	29.62
	17	15	209.39	28.53	207.22	28.54	207.11	28.54	207.11	28.55	203.11	28.55	193.75	28.56
	22	20	220.73	27.86	217.19	27.73	212.69	27.61	212.26	27.48	203.56	27.37	193.75	27.29
	27	24	233.18	27.21	228.76	26.95	222.86	26.70	217.99	26.45	203.94	26.21	193.75	25.90
	32	29	244.13	26.38	237.40	26.00	229.74	25.63	219.24	25.27	203.94	23.94	193.75	22.92
	37	34	251.78	25.08	242.57	24.60	230.89	23.95	219.24	22.44	203.94	20.96	193.75	20.00
	42	38	255.14	23.80	243.41	22.99	230.89	21.48	219.24	20.02	203.94	18.59	193.75	17.66
	47	43	255.14	21.98	243.41	20.50	230.89	19.05	219.24	17.64	203.94	16.27	193.75	15.38
	52	47	255.14	20.26	243.41	18.91	230.89	17.59	219.24	16.31	203.94	15.06	193.75	14.25
	57	52	255.14	18.42	243.41	17.21	230.89	16.04	219.24	14.89	203.94	13.77	193.75	13.04
	62	56	255.14	17.15	243.41	16.04	230.89	14.96	219.24	13.91	203.94	12.88	193.75	12.20
	67	61	255.14	15.77	243.41	14.77	230.89	13.79	219.24	12.83	203.94	11.90	193.75	11.28
	72	66	255.14	14.57	243.41	13.66	230.89	12.77	219.24	11.90	203.94	11.04	193.75	10.49
75	69	255.14	13.86	243.41	13.00	230.89	12.16	219.24	11.34	203.94	10.53	193.75	10.01	

NOTE - Power Input = Compressor + Outdoor Fan Motor.  
 MBH = 1000 BTUs per hour.



# HEATING CAPACITY - TWO MODULE - VRA264H4

Combination (%)	Outdoor Temperature (°F)		Indoor Temperature - °F Dry Bulb											
			61		64		67		70		73		75	
	Dry Bulb	Wet Bulb	Total Cap. MBH	Power Input kW	Total Cap. MBH	Power Input kW	Total Cap. MBH	Power Input kW	Total Cap. MBH	Power Input kW	Total Cap. MBH	Power Input kW	Total Cap. MBH	Power Input kW
70%	-13	-13	108.53	25.15	108.40	25.54	108.09	25.92	107.86	26.29	107.72	26.63	107.64	26.88
	-8	-9	129.79	27.71	129.63	28.06	129.28	28.43	128.99	28.72	128.83	29.07	128.72	30.12
	-3	-4	147.46	30.26	147.28	30.55	146.87	30.90	146.55	31.09	146.36	31.43	146.24	31.91
	2	1	163.72	31.66	163.57	31.86	163.26	32.15	162.82	32.21	163.26	32.53	162.28	32.85
	7	6	176.57	31.71	176.48	31.71	176.26	31.72	175.47	31.72	173.15	31.73	169.53	31.73
	12	10	191.38	30.43	189.25	30.43	188.70	30.44	186.90	30.44	178.45	30.45	169.53	30.45
	17	15	203.33	29.01	200.80	29.01	197.19	29.02	191.84	29.02	178.45	29.03	169.53	29.03
	22	20	213.71	27.59	208.09	27.48	202.15	27.38	191.84	27.27	178.45	27.12	169.53	26.16
	27	24	220.85	26.66	212.64	26.44	203.12	26.23	191.84	25.69	178.45	24.30	169.53	23.39
	32	29	223.75	25.57	213.36	25.25	203.12	24.07	191.84	22.73	178.45	21.42	169.53	20.57
	37	34	223.75	23.70	213.36	22.37	203.12	21.08	191.84	19.83	178.45	18.60	169.53	17.80
	42	38	223.75	21.24	213.36	19.96	203.12	18.71	191.84	17.49	178.45	16.31	169.53	15.53
	47	43	223.75	18.82	213.36	17.59	203.12	16.39	191.84	15.21	178.45	14.07	169.53	13.32
	52	47	223.75	17.38	213.36	16.26	203.12	15.17	191.84	14.10	178.45	13.06	169.53	12.38
	57	52	223.75	15.84	213.36	14.84	203.12	13.86	191.84	12.90	178.45	11.97	169.53	11.36
	62	56	223.75	14.78	213.36	13.86	203.12	12.96	191.84	12.08	178.45	11.21	169.53	10.65
	67	61	223.75	13.63	213.36	12.79	203.12	11.97	191.84	11.17	178.45	10.39	169.53	9.87
72	66	223.75	12.62	213.36	11.86	203.12	11.11	191.84	10.38	178.45	9.66	169.53	9.19	
75	69	223.75	12.02	213.36	11.30	203.12	10.60	191.84	9.91	178.45	9.23	169.53	8.79	
60%	-13	-13	106.36	26.85	106.23	26.86	105.93	26.87	105.70	26.88	105.57	26.89	105.48	26.90
	-8	-9	124.14	28.76	122.67	28.77	121.09	28.78	119.49	28.79	118.13	28.80	117.12	28.81
	-3	-4	144.40	29.80	141.39	29.81	138.31	29.81	135.14	29.82	132.34	29.83	130.28	29.83
	2	1	165.62	30.78	160.87	30.78	156.10	30.79	151.17	30.80	146.76	30.80	143.51	30.81
	7	6	181.28	31.72	175.59	31.73	169.89	31.73	163.20	31.74	155.07	31.74	149.78	31.74
	12	10	186.36	30.44	180.16	30.44	172.45	30.45	164.43	30.45	155.83	30.46	148.62	30.46
	17	15	189.80	29.18	182.46	28.86	173.63	28.87	164.43	28.87	155.33	28.24	147.56	27.16
	22	20	192.71	27.63	184.44	27.24	175.52	26.84	164.43	25.61	152.96	24.42	145.31	23.49
	27	24	193.96	26.14	184.85	25.22	175.90	24.03	164.43	22.88	152.96	21.75	145.31	20.89
	32	29	193.96	23.42	184.85	22.29	175.90	21.18	164.43	20.10	152.96	19.04	145.31	18.26
	37	34	193.96	20.48	184.85	19.41	175.90	18.37	164.43	17.35	152.96	16.36	145.31	15.65
	42	38	193.96	18.13	184.85	17.09	175.90	16.08	164.43	15.10	152.96	14.13	145.31	13.47
	47	43	198.85	16.11	187.37	15.10	175.90	14.11	164.43	13.14	152.96	12.19	145.31	11.57
	52	47	198.85	14.66	187.37	13.75	175.90	12.86	164.43	11.99	152.96	11.14	145.31	10.58
	57	52	198.85	13.40	187.37	12.59	175.90	11.79	164.43	11.01	152.96	10.24	145.31	9.74
	62	56	198.85	12.54	187.37	11.79	175.90	11.05	164.43	10.33	152.96	9.62	145.31	9.16
	67	61	198.85	11.59	187.37	10.91	175.90	10.24	164.43	9.58	152.96	8.94	145.31	8.51
72	66	198.85	10.76	187.37	10.14	175.90	9.53	164.43	8.93	152.96	8.34	145.31	7.95	
75	69	198.85	10.27	187.37	9.68	175.90	9.10	164.43	8.54	152.96	7.98	145.31	7.61	
50%	-13	-13	104.23	26.88	104.10	26.89	103.81	26.90	103.59	26.91	103.41	26.92	101.02	26.92
	-8	-9	119.16	28.79	117.57	28.80	115.83	28.80	114.14	28.81	112.50	28.82	109.44	28.82
	-3	-4	136.13	29.82	132.84	29.83	129.42	29.83	126.04	29.84	122.71	29.85	117.39	29.85
	2	1	149.99	30.80	144.91	30.80	139.73	30.81	134.59	30.81	127.47	30.82	121.09	30.82
	7	6	157.22	31.74	150.53	31.74	143.76	31.74	137.03	31.75	127.47	31.75	121.09	31.76
	12	10	161.55	30.45	153.39	30.46	145.20	30.46	137.03	30.38	127.47	28.70	121.09	27.37
	17	15	165.71	29.00	156.15	28.61	146.59	27.31	137.03	25.60	127.47	24.11	121.09	22.75
	22	20	165.71	25.98	156.15	24.86	146.59	23.72	137.03	22.17	127.47	20.44	121.09	19.31
	27	24	165.71	23.00	156.15	22.06	146.59	20.90	137.03	19.56	127.47	18.06	121.09	17.08
	32	29	165.71	20.21	156.15	19.33	146.59	18.26	137.03	17.12	127.47	15.84	121.09	15.00
	37	34	165.71	17.47	156.15	16.63	146.59	15.65	137.03	14.70	127.47	13.63	121.09	12.93
	42	38	165.71	15.20	156.15	14.40	146.59	13.60	137.03	12.68	127.47	11.78	121.09	11.19
	47	43	165.71	13.30	156.15	12.51	146.59	11.73	137.03	10.96	127.47	10.21	121.09	9.71
	52	47	165.71	12.09	156.15	11.38	146.59	10.68	137.03	9.99	127.47	9.32	121.09	8.87
	57	52	165.71	11.10	156.15	10.46	146.59	9.83	137.03	9.21	127.47	8.60	121.09	8.20
	62	56	165.71	10.41	156.15	9.82	146.59	9.23	137.03	8.66	127.47	8.10	121.09	7.73
	67	61	165.71	9.65	156.15	9.11	146.59	8.58	137.03	8.06	127.47	7.55	121.09	7.21
72	66	165.71	8.99	156.15	8.50	146.59	8.01	137.03	7.54	127.47	7.06	121.09	6.75	
75	69	165.71	8.60	156.15	8.13	146.59	7.67	137.03	7.22	127.47	6.77	121.09	6.48	

NOTE - Power Input = Compressor + Outdoor Fan Motor.  
MBH = 1000 BTUs per hour.

## COOLING CAPACITY - TWO MODULE - VRA288H4

Combination (%)	Outdoor Temperature °F (Dry Bulb)	Indoor Temperature - °F (Dry Bulb / Wet Bulb)											
		67 / 57		71 / 60		75 / 63		80 / 67		85 / 71		90 / 75	
		Total Cap.	Power Input	Total Cap.	Power Input	Total Cap.	Power Input	Total Cap.	Power Input	Total Cap.	Power Input	Total Cap.	Power Input
		MBH	kW	MBH	kW	MBH	kW	MBH	kW	MBH	kW	MBH	kW
130%	25	232.88	12.02	270.97	14.21	308.58	16.48	358.42	19.33	388.06	18.75	397.85	18.09
	30	232.88	12.18	270.97	14.41	308.58	16.73	358.42	19.28	381.90	18.68	391.00	18.00
	35	232.88	12.35	270.97	14.63	308.58	16.99	358.42	19.22	375.67	18.60	384.77	17.90
	40	232.88	12.53	270.97	14.85	308.58	17.26	358.42	19.17	369.44	18.53	378.54	17.80
	45	232.88	12.71	270.97	15.08	308.58	17.54	353.15	19.10	363.21	18.44	372.31	17.70
	50	232.88	12.90	270.97	15.32	308.58	17.83	347.88	19.04	356.98	18.36	366.08	17.59
	55	232.88	13.09	270.97	15.57	308.58	18.12	341.65	18.97	350.99	18.40	360.09	19.02
	60	232.88	13.30	270.97	15.83	308.58	18.43	334.94	19.20	344.52	19.89	354.10	20.57
	65	232.88	13.51	270.97	16.10	308.58	19.16	325.35	20.64	333.74	21.39	344.52	22.13
	70	232.88	13.73	270.97	17.05	304.75	20.92	322.96	22.10	332.06	22.90	341.17	23.71
	75	232.88	14.77	270.97	18.53	300.92	22.69	316.25	23.56	325.83	24.44	335.42	25.31
	80	232.88	15.98	270.97	20.08	296.76	24.10	310.26	25.05	319.36	25.99	329.19	26.93
	85	232.88	17.24	270.97	21.71	292.29	25.53	304.27	26.55	313.38	27.56	322.48	28.58
	90	232.88	18.56	270.43	23.43	288.06	26.97	297.56	28.06	307.39	29.15	315.77	30.04
	95	232.88	19.94	265.94	25.23	282.07	28.43	291.33	29.60	300.44	30.59	301.88	30.71
	100	232.88	21.40	261.45	27.14	275.92	29.91	284.39	31.00	287.26	31.13	287.26	31.26
	105	232.88	22.93	256.83	29.15	268.44	31.29	271.53	31.42	271.53	31.56	271.53	31.70
	110	232.88	24.55	250.13	28.72	255.88	29.43	255.88	30.40	256.83	31.38	256.83	32.01
115	220.42	27.60	221.14	27.71	221.38	27.93	222.33	28.04	222.81	28.15	223.29	28.26	
118	189.56	24.66	190.18	24.77	190.38	24.88	191.21	24.99	191.62	25.09	192.03	25.20	
120%	25	214.67	11.26	249.89	13.23	284.63	15.29	331.58	18.14	375.39	19.08	391.41	18.51
	30	214.67	11.40	249.89	13.42	284.63	15.52	331.58	18.42	372.31	19.01	385.25	18.43
	35	214.67	11.55	249.89	13.61	284.63	15.76	331.58	18.71	368.00	18.95	379.02	18.35
	40	214.67	11.71	249.89	13.81	284.63	16.00	331.58	19.00	363.69	18.88	372.79	18.26
	45	214.67	11.88	249.89	14.02	284.63	16.26	331.58	19.31	357.46	18.81	366.56	18.17
	50	214.67	12.05	249.89	14.24	284.63	16.52	331.58	19.33	351.23	18.74	360.33	18.08
	55	214.67	12.22	249.89	14.46	284.63	16.79	331.58	19.27	344.76	18.66	353.39	18.64
	60	214.67	12.41	249.89	14.70	284.63	17.08	329.67	19.21	338.77	19.51	347.40	20.14
	65	214.67	12.60	249.89	14.94	284.63	17.37	321.28	20.30	328.83	20.98	337.81	21.67
	70	214.67	12.80	249.89	15.49	284.63	18.86	317.21	21.72	326.31	22.47	334.46	23.21
	75	214.67	13.52	249.89	16.82	284.63	20.52	311.46	23.16	320.08	23.96	328.71	24.77
	80	214.67	14.61	249.89	18.21	284.47	22.25	305.23	24.61	313.61	25.48	322.72	26.35
	85	214.67	15.75	249.89	19.67	282.07	24.08	298.52	26.07	307.63	27.01	316.25	27.95
	90	214.67	16.94	249.89	21.20	277.76	26.00	292.53	27.56	301.28	28.56	309.78	29.57
	95	214.67	18.19	249.89	22.81	273.76	27.98	286.54	29.06	295.17	30.13	301.88	30.71
	100	214.67	19.50	249.89	24.51	269.77	29.42	280.31	30.57	286.18	31.13	287.26	31.26
	105	214.67	20.88	248.93	26.30	265.25	30.88	270.89	31.42	271.53	31.56	271.53	31.70
	110	214.67	22.33	244.85	28.20	255.56	29.43	255.88	30.40	256.83	31.38	256.83	32.01
115	214.67	26.51	219.70	26.62	221.38	26.84	222.33	26.95	222.81	27.06	223.29	27.17	
118	189.56	23.57	190.18	23.68	190.38	23.79	191.21	23.89	191.62	24.00	192.03	24.11	
110%	25	197.42	10.51	229.04	12.27	260.67	14.13	303.79	16.69	345.96	19.32	384.70	18.90
	30	197.42	10.64	229.04	12.44	260.67	14.33	303.79	16.95	345.96	19.33	378.54	18.83
	35	197.42	10.78	229.04	12.62	260.67	14.54	303.79	17.21	345.96	19.27	372.31	18.76
	40	197.42	10.92	229.04	12.80	260.67	14.77	303.79	17.48	345.96	19.22	366.08	18.69
	45	197.42	11.06	229.04	12.98	260.67	14.99	303.79	17.77	343.56	19.16	359.85	18.61
	50	197.42	11.22	229.04	13.18	260.67	15.23	303.79	18.06	341.17	19.09	353.63	18.53
	55	197.42	11.37	229.04	13.38	260.67	15.48	303.79	18.36	337.93	19.03	346.68	18.44
	60	197.42	11.54	229.04	13.59	260.67	15.74	303.79	18.68	333.02	19.14	340.69	19.72
	65	197.42	11.71	229.04	13.81	260.67	16.00	303.79	19.51	323.08	20.58	331.10	21.21
	70	197.42	11.89	229.04	14.04	260.67	16.92	303.79	21.30	320.08	22.03	328.71	22.71
	75	197.42	12.34	229.04	15.19	260.67	18.39	303.79	22.75	314.33	23.49	322.00	24.23
	80	197.42	13.32	229.04	16.43	260.67	19.93	299.72	24.17	307.74	24.97	316.01	25.76
	85	197.42	14.34	229.04	17.73	260.67	21.54	293.73	25.60	301.40	26.46	309.54	27.32
	90	197.42	15.41	229.04	19.10	260.67	23.24	287.74	27.05	295.41	27.97	303.07	28.89
	95	197.42	16.53	229.04	20.53	260.67	25.03	280.79	28.51	289.42	29.50	297.08	30.49
	100	197.42	17.70	229.04	22.04	259.23	26.92	274.80	29.99	282.47	31.05	287.26	31.26
	105	197.42	18.93	229.04	23.62	255.13	28.91	268.65	31.42	271.37	31.56	271.53	31.70
	110	197.42	20.22	229.04	25.30	250.44	29.43	255.88	30.40	256.83	31.38	256.83	32.01
115	197.42	21.58	215.39	25.75	221.38	25.86	222.33	25.97	222.81	26.08	223.29	26.28	
118	189.56	20.30	190.18	23.46	190.38	23.57	191.21	23.68	191.62	23.79	192.03	23.96	

NOTE - Power Input = Compressor + Outdoor Fan Motor.  
MBH = 1000 BTUs per hour.

## COOLING CAPACITY - TWO MODULE - VRA288H4

Combination (%)	Outdoor Temperature °F (Dry Bulb)	Indoor Temperature - °F (Dry Bulb / Wet Bulb)											
		67 / 57		71 / 60		75 / 63		80 / 67		85 / 71		90 / 75	
		Total Cap.	Power Input	Total Cap.	Power Input	Total Cap.	Power Input	Total Cap.	Power Input	Total Cap.	Power Input	Total Cap.	Power Input
		MBH	kW	MBH	kW	MBH	kW	MBH	kW	MBH	kW	MBH	kW
100%	25	179.21	9.78	207.96	11.34	237.35	12.98	276.00	15.27	314.81	17.63	353.63	19.26
	30	179.21	9.90	207.96	11.49	237.35	13.17	276.00	15.50	314.81	17.91	353.63	19.20
	35	179.21	10.02	207.96	11.64	237.35	13.35	276.00	15.73	314.81	18.19	353.63	19.14
	40	179.21	10.14	207.96	11.80	237.35	13.55	276.00	15.98	314.81	18.48	353.63	19.08
	45	179.21	10.27	207.96	11.97	237.35	13.75	276.00	16.23	314.81	18.78	350.27	19.02
	50	179.21	10.41	207.96	12.14	237.35	13.97	276.00	16.50	314.81	19.09	346.92	18.95
	55	179.21	10.55	207.96	12.32	237.35	14.19	276.00	16.77	314.81	19.37	339.97	18.88
	60	179.21	10.69	207.96	12.51	237.35	14.41	276.00	17.05	314.81	19.31	333.98	19.30
	65	179.21	10.84	207.96	12.70	237.35	14.65	276.00	17.35	313.38	20.18	324.40	20.75
	70	179.21	11.00	207.96	12.91	237.35	15.10	276.00	18.83	310.50	21.59	322.00	22.21
	75	179.21	11.22	207.96	13.66	237.35	16.39	276.00	20.47	307.15	23.02	315.29	23.69
	80	179.21	12.10	207.96	14.76	237.35	17.74	276.00	22.21	301.64	24.46	309.30	25.18
	85	179.21	13.01	207.96	15.91	237.35	19.16	276.00	24.03	295.65	25.91	303.31	26.69
	90	179.21	13.96	207.96	17.12	237.35	20.65	276.00	25.95	289.66	27.38	296.60	28.22
	95	179.21	14.96	207.96	18.38	237.35	22.22	276.00	27.97	283.19	28.87	290.38	29.76
	100	179.21	16.00	207.96	19.71	237.35	23.86	270.01	29.41	276.72	30.37	283.67	31.26
	105	179.21	17.09	207.96	21.10	237.35	25.60	263.86	30.87	269.61	31.56	271.53	31.70
	110	179.21	18.24	207.96	22.57	237.35	27.44	255.88	30.40	256.83	31.38	256.83	32.01
115	179.21	19.44	207.96	22.91	220.10	25.09	222.33	25.86	222.81	25.97	223.29	26.28	
118	179.21	20.30	183.00	20.88	190.38	22.91	191.21	23.57	191.62	23.79	192.03	23.96	
90%	25	161.00	9.08	187.59	10.44	213.71	11.87	248.21	13.87	283.67	15.96	318.17	18.10
	30	161.00	9.18	187.59	10.57	213.71	12.03	248.21	14.08	283.67	16.20	318.17	18.38
	35	161.00	9.29	187.59	10.70	213.71	12.19	248.21	14.28	283.67	16.45	318.17	18.67
	40	161.00	9.40	187.59	10.84	213.71	12.37	248.21	14.50	283.67	16.71	318.17	18.97
	45	161.00	9.51	187.59	10.98	213.71	12.54	248.21	14.72	283.67	16.98	318.17	19.28
	50	161.00	9.62	187.59	11.14	213.71	12.73	248.21	14.95	283.67	17.26	318.17	19.33
	55	161.00	9.75	187.59	11.29	213.71	12.92	248.21	15.19	283.67	17.54	318.17	19.27
	60	161.00	9.87	187.59	11.45	213.71	13.12	248.21	15.45	283.67	17.84	318.17	19.21
	65	161.00	10.01	187.59	11.62	213.71	13.33	248.21	15.71	283.67	18.33	318.17	20.29
	70	161.00	10.14	187.59	11.80	213.71	13.55	248.21	16.52	283.67	20.01	315.29	21.71
	75	161.00	10.29	187.59	12.23	213.71	14.52	248.21	17.94	283.67	21.78	308.58	23.15
	80	161.00	10.94	187.59	13.20	213.71	15.70	248.21	19.44	283.67	23.63	302.59	24.60
	85	161.00	11.76	187.59	14.21	213.71	16.94	248.21	21.01	282.95	25.36	296.60	26.06
	90	161.00	12.60	187.59	15.26	213.71	18.23	248.21	22.66	280.07	26.79	289.90	27.54
	95	161.00	13.48	187.59	16.37	213.71	19.59	248.21	24.40	276.96	28.23	283.67	29.04
	100	161.00	14.40	187.59	17.53	213.71	21.02	248.21	26.23	271.33	29.70	277.68	30.56
	105	161.00	15.37	187.59	18.74	213.71	22.52	248.21	28.17	264.82	31.17	270.25	31.70
	110	161.00	16.37	187.59	20.02	213.71	24.10	248.21	30.22	256.83	31.38	256.83	32.01
115	161.00	17.43	187.59	21.37	213.07	24.00	222.33	25.80	222.81	25.86	223.29	26.28	
118	161.00	18.48	183.00	20.88	185.37	22.37	191.21	23.51	191.62	23.57	192.03	23.96	
80%	25	143.75	8.41	166.75	9.56	189.75	10.79	220.42	12.52	252.04	14.32	282.71	16.19
	30	143.75	8.49	166.75	9.68	189.75	10.93	220.42	12.69	252.04	14.53	282.71	16.43
	35	143.75	8.58	166.75	9.79	189.75	11.07	220.42	12.87	252.04	14.75	282.71	16.68
	40	143.75	8.67	166.75	9.91	189.75	11.22	220.42	13.05	252.04	14.97	282.71	16.95
	45	143.75	8.77	166.75	10.03	189.75	11.37	220.42	13.25	252.04	15.21	282.71	17.22
	50	143.75	8.87	166.75	10.16	189.75	11.53	220.42	13.45	252.04	15.45	282.71	17.50
	55	143.75	8.97	166.75	10.30	189.75	11.70	220.42	13.66	252.04	15.70	282.71	17.79
	60	143.75	9.08	166.75	10.44	189.75	11.87	220.42	13.87	252.04	15.96	282.71	18.10
	65	143.75	9.19	166.75	10.58	189.75	12.05	220.42	14.10	252.04	16.23	282.71	18.69
	70	143.75	9.31	166.75	10.73	189.75	12.23	220.42	14.38	252.04	17.24	282.71	20.40
	75	143.75	9.44	166.75	10.89	189.75	12.78	220.42	15.60	252.04	18.74	282.71	22.20
	80	143.75	9.86	166.75	11.73	189.75	13.80	220.42	16.88	252.04	20.31	282.71	24.01
	85	143.75	10.58	166.75	12.61	189.75	14.87	220.42	18.22	252.04	21.96	282.71	25.43
	90	143.75	11.33	166.75	13.53	189.75	15.98	220.42	19.62	252.04	23.69	282.71	26.87
	95	143.75	12.10	166.75	14.49	189.75	17.15	220.42	21.10	252.04	25.52	276.96	28.32
	100	143.75	12.91	166.75	15.50	189.75	18.37	220.42	22.65	252.04	27.45	270.97	29.79
	105	143.75	13.75	166.75	16.55	189.75	19.66	220.42	24.29	251.72	29.49	264.82	31.27
	110	143.75	14.63	166.75	17.65	189.75	21.01	220.42	26.02	249.17	31.38	256.83	32.01
115	143.75	15.55	166.75	18.80	189.75	22.43	220.42	24.45	222.81	25.86	223.29	26.28	
118	143.75	16.48	166.75	19.93	185.37	21.48	191.21	22.29	191.62	23.57	192.03	23.96	

NOTE - Power Input = Compressor + Outdoor Fan Motor.  
MBH = 1000 BTUs per hour.

## COOLING CAPACITY - TWO MODULE - VRA288H4

Combination (%)	Outdoor Temperature °F (Dry Bulb)	Indoor Temperature - °F (Dry Bulb / Wet Bulb)											
		67 / 57		71 / 60		75 / 63		80 / 67		85 / 71		90 / 75	
		Total Cap.	Power Input	Total Cap.	Power Input	Total Cap.	Power Input	Total Cap.	Power Input	Total Cap.	Power Input	Total Cap.	Power Input
		MBH	kW	MBH	kW	MBH	kW	MBH	kW	MBH	kW	MBH	kW
70%	25	125.54	7.75	145.67	8.73	165.79	9.75	193.58	11.20	220.42	12.73	247.25	14.31
	30	125.54	7.83	145.67	8.82	165.79	9.87	193.58	11.35	220.42	12.90	247.25	14.52
	35	125.54	7.90	145.67	8.92	165.79	9.99	193.58	11.50	220.42	13.09	247.25	14.74
	40	125.54	7.98	145.67	9.02	165.79	10.11	193.58	11.66	220.42	13.28	247.25	14.96
	45	125.54	8.06	145.67	9.12	165.79	10.24	193.58	11.82	220.42	13.48	247.25	15.19
	50	125.54	8.14	145.67	9.23	165.79	10.37	193.58	11.99	220.42	13.68	247.25	15.43
	55	125.54	8.23	145.67	9.34	165.79	10.51	193.58	12.16	220.42	13.89	247.25	15.69
	60	125.54	8.32	145.67	9.46	165.79	10.66	193.58	12.35	220.42	14.12	247.25	15.95
	65	125.54	8.42	145.67	9.58	165.79	10.81	193.58	12.54	220.42	14.35	247.25	16.22
	70	125.54	8.52	145.67	9.71	165.79	10.97	193.58	12.74	220.42	14.70	247.25	17.22
	75	125.54	8.62	145.67	9.84	165.79	11.17	193.58	13.44	220.42	15.95	247.25	18.72
	80	125.54	8.85	145.67	10.37	165.79	12.05	193.58	14.52	220.42	17.27	247.25	20.29
	85	125.54	9.48	145.67	11.13	165.79	12.96	193.58	15.65	220.42	18.64	247.25	21.93
	90	125.54	10.13	145.67	11.93	165.79	13.90	193.58	16.83	220.42	20.08	247.25	23.67
	95	125.54	10.81	145.67	12.75	165.79	14.90	193.58	18.07	220.42	21.60	247.25	25.49
	100	125.54	11.51	145.67	13.61	165.79	15.93	193.58	19.37	220.42	23.20	247.25	27.42
	105	125.54	12.24	145.67	14.51	165.79	17.02	193.58	20.74	220.42	24.88	247.25	29.45
	110	125.54	13.00	145.67	15.45	165.79	18.16	193.58	22.17	220.42	26.66	247.25	31.61
115	125.54	13.80	145.67	16.43	165.79	19.35	193.58	23.69	218.50	25.36	223.29	26.28	
118	125.54	14.63	145.67	17.42	165.79	20.51	174.23	22.29	191.62	23.11	192.03	23.96	
60%	25	107.33	7.13	124.58	7.93	142.47	8.76	165.79	9.95	188.79	11.19	211.79	12.49
	30	107.33	7.19	124.58	8.00	142.47	8.86	165.79	10.07	188.79	11.34	211.79	12.67
	35	107.33	7.25	124.58	8.08	142.47	8.96	165.79	10.19	188.79	11.49	211.79	12.84
	40	107.33	7.32	124.58	8.16	142.47	9.06	165.79	10.32	188.79	11.64	211.79	13.03
	45	107.33	7.38	124.58	8.25	142.47	9.16	165.79	10.45	188.79	11.81	211.79	13.22
	50	107.33	7.45	124.58	8.33	142.47	9.27	165.79	10.59	188.79	11.98	211.79	13.42
	55	107.33	7.52	124.58	8.43	142.47	9.38	165.79	10.73	188.79	12.15	211.79	13.63
	60	107.33	7.60	124.58	8.52	142.47	9.50	165.79	10.88	188.79	12.33	211.79	13.85
	65	107.33	7.67	124.58	8.62	142.47	9.62	165.79	11.04	188.79	12.53	211.79	14.07
	70	107.33	7.75	124.58	8.73	142.47	9.75	165.79	11.20	188.79	12.72	211.79	14.34
	75	107.33	7.84	124.58	8.83	142.47	9.89	165.79	11.47	188.79	13.42	211.79	15.56
	80	107.33	7.93	124.58	9.11	142.47	10.43	165.79	12.37	188.79	14.50	211.79	16.84
	85	107.33	8.46	124.58	9.77	142.47	11.20	165.79	13.30	188.79	15.63	211.79	18.17
	90	107.33	9.03	124.58	10.44	142.47	12.00	165.79	14.28	188.79	16.81	211.79	19.58
	95	107.33	9.61	124.58	11.15	142.47	12.83	165.79	15.31	188.79	18.04	211.79	21.05
	100	107.33	10.22	124.58	11.88	142.47	13.70	165.79	16.38	188.79	19.34	211.79	22.60
	105	107.33	10.85	124.58	12.64	142.47	14.60	165.79	17.50	188.79	20.71	211.79	24.23
	110	107.33	11.50	124.58	13.43	142.47	15.55	165.79	18.67	188.79	22.14	211.79	25.95
115	107.33	12.18	124.58	14.25	142.47	16.54	165.79	19.91	188.79	23.66	211.79	26.28	
118	107.33	12.91	124.58	15.11	142.47	17.53	165.79	21.11	173.69	23.07	192.03	23.96	
50%	25	89.13	6.54	103.50	7.17	119.15	7.83	138.00	8.76	157.17	9.73	176.33	10.76
	30	89.13	6.59	103.50	7.23	119.15	7.90	138.00	8.85	157.17	9.85	176.33	10.90
	35	89.13	6.64	103.50	7.29	119.15	7.98	138.00	8.95	157.17	9.97	176.33	11.04
	40	89.13	6.69	103.50	7.35	119.15	8.06	138.00	9.05	157.17	10.09	176.33	11.18
	45	89.13	6.74	103.50	7.42	119.15	8.14	138.00	9.15	157.17	10.22	176.33	11.34
	50	89.13	6.79	103.50	7.49	119.15	8.22	138.00	9.26	157.17	10.35	176.33	11.49
	55	89.13	6.85	103.50	7.56	119.15	8.31	138.00	9.37	157.17	10.49	176.33	11.66
	60	89.13	6.91	103.50	7.64	119.15	8.41	138.00	9.49	157.17	10.63	176.33	11.83
	65	89.13	6.97	103.50	7.71	119.15	8.50	138.00	9.61	157.17	10.78	176.33	12.01
	70	89.13	7.03	103.50	7.80	119.15	8.60	138.00	9.74	157.17	10.94	176.33	12.20
	75	89.13	7.10	103.50	7.88	119.15	8.71	138.00	9.88	157.17	11.14	176.33	12.73
	80	89.13	7.17	103.50	7.97	119.15	8.96	138.00	10.42	157.17	12.01	176.33	13.75
	85	89.13	7.51	103.50	8.51	119.15	9.60	138.00	11.18	157.17	12.92	176.33	14.81
	90	89.13	8.00	103.50	9.09	119.15	10.26	138.00	11.98	157.17	13.87	176.33	15.92
	95	89.13	8.51	103.50	9.68	119.15	10.95	138.00	12.81	157.17	14.85	176.33	17.08
	100	89.13	9.02	103.50	10.29	119.15	11.66	138.00	13.68	157.17	15.89	176.33	18.30
	105	89.13	9.56	103.50	10.92	119.15	12.41	138.00	14.58	157.17	16.97	176.33	19.57
	110	89.13	10.11	103.50	11.58	119.15	13.18	138.00	15.52	157.17	18.10	176.33	20.92
115	89.13	10.69	103.50	12.26	119.15	13.99	138.00	16.51	157.17	19.30	176.33	22.34	
118	89.13	11.33	103.50	13.00	119.15	14.83	138.00	17.50	157.17	20.45	176.33	23.68	

NOTE - Power Input = Compressor + Outdoor Fan Motor.  
MBH = 1000 BTUs per hour.

## HEATING CAPACITY - TWO MODULE - VRA288H4

Combination (%)	Outdoor Temperature (°F)		Indoor Temperature - °F Dry Bulb											
			61		64		67		70		73		75	
	Dry Bulb	Wet Bulb	Total Cap. MBH	Power Input kW	Total Cap. MBH	Power Input kW	Total Cap. MBH	Power Input kW	Total Cap. MBH	Power Input kW	Total Cap. MBH	Power Input kW	Total Cap. MBH	Power Input kW
130%	-13	-13	124.87	16.00	124.44	17.18	124.03	18.24	123.50	19.22	123.11	20.13	122.84	20.75
	-8	-9	153.40	19.17	152.87	20.29	152.37	21.30	151.72	22.22	151.23	23.08	150.91	23.66
	-3	-4	174.05	22.58	173.45	23.57	172.88	24.46	172.14	25.26	171.59	26.02	171.22	26.54
	2	1	194.72	26.42	194.37	27.18	193.39	27.89	192.67	28.51	192.05	29.12	191.18	29.55
	7	6	210.45	28.28	210.45	28.77	209.61	29.24	208.43	29.63	208.01	30.06	207.18	30.37
	12	10	227.92	29.80	227.92	30.04	226.94	30.26	225.86	30.47	225.37	30.68	224.39	30.87
	17	15	245.19	30.65	245.19	30.66	243.79	30.66	243.09	30.67	243.09	30.68	243.09	30.68
	22	20	257.14	30.23	257.14	30.24	257.14	30.24	255.06	30.25	255.06	30.26	255.06	30.26
	27	24	272.31	29.63	272.31	29.64	271.97	29.64	270.26	29.65	270.09	29.65	269.75	29.66
	32	29	288.67	28.81	288.67	28.82	287.32	28.82	286.64	28.83	286.24	28.83	285.42	28.84
	37	34	307.23	27.46	306.47	27.46	305.54	27.47	305.21	27.47	304.87	27.47	304.19	27.48
	42	38	334.30	26.05	333.68	26.06	332.64	26.06	324.34	26.07	320.43	26.07	315.88	26.07
	47	43	359.46	24.74	351.32	24.74	343.17	24.74	335.02	24.75	330.14	24.75	324.65	24.75
	52	47	372.64	24.42	364.49	24.42	356.34	24.43	348.19	24.43	343.45	24.43	334.61	24.44
	57	52	389.11	24.02	380.96	24.03	372.81	24.03	364.66	24.03	356.51	24.04	347.57	24.04
	62	56	402.28	23.71	394.14	23.71	385.99	23.71	377.84	23.72	369.69	23.72	353.84	22.60
	67	61	418.75	23.31	410.61	23.31	402.46	23.32	394.31	23.32	372.47	21.96	353.84	20.68
	72	66	435.22	22.91	427.07	22.91	418.93	22.92	400.40	21.96	372.47	20.17	353.84	19.01
75	69	445.10	22.67	436.96	22.68	428.81	22.68	404.06	21.14	372.47	19.10	353.84	18.01	
120%	-13	-13	124.16	17.84	123.77	18.77	123.37	19.65	122.97	20.45	122.58	21.16	122.31	21.67
	-8	-9	152.53	20.92	152.05	21.80	151.56	22.62	151.07	23.38	150.58	24.03	150.26	24.49
	-3	-4	173.06	24.13	172.51	24.89	171.96	25.61	171.40	26.28	170.85	26.83	170.48	27.23
	2	1	193.14	27.63	192.86	28.22	192.58	28.79	192.30	29.33	190.99	29.75	190.81	30.06
	7	6	209.19	29.09	208.62	29.46	208.43	29.83	208.43	30.20	206.92	30.44	206.42	30.63
	12	10	226.45	30.19	226.01	30.37	225.86	30.55	225.86	30.75	224.19	30.86	223.80	31.01
	17	15	245.19	30.66	243.62	30.67	243.09	30.67	243.09	30.68	241.00	30.69	241.00	30.69
	22	20	257.14	30.24	255.58	30.25	255.06	30.25	255.06	30.26	254.37	30.26	252.99	30.27
	27	24	271.80	29.64	270.65	29.64	270.26	29.65	270.26	29.65	269.24	29.66	268.22	29.66
	32	29	287.45	28.82	286.84	28.82	286.64	28.83	286.64	28.83	284.61	28.84	284.61	28.84
	37	34	306.22	27.46	305.46	27.47	305.21	27.47	304.19	27.48	300.96	27.48	300.96	27.48
	42	38	322.43	26.06	322.43	26.06	322.43	26.07	321.63	26.07	310.68	26.08	307.54	26.08
	47	43	355.57	24.74	347.90	24.75	340.23	24.75	332.56	24.75	321.63	24.76	313.37	24.76
	52	47	369.01	24.43	361.34	24.43	353.67	24.43	345.99	24.43	334.94	24.44	316.89	24.43
	57	52	374.46	24.03	367.02	24.03	359.57	24.03	352.12	24.04	340.38	23.54	323.36	22.15
	62	56	387.51	23.71	380.06	23.71	372.61	23.72	365.17	23.72	340.38	21.85	323.36	20.58
	67	61	407.89	23.31	400.37	23.32	392.85	23.32	369.60	21.76	343.81	20.00	326.62	18.85
	72	66	424.36	22.92	416.84	22.92	395.39	21.63	369.60	19.99	343.81	18.40	326.62	17.36
75	69	434.24	22.68	426.72	22.68	396.91	20.62	369.60	18.93	343.81	17.43	326.62	16.46	
110%	-13	-13	123.50	19.43	123.11	20.20	122.71	20.87	122.31	21.61	121.92	22.13	121.65	22.54
	-8	-9	151.72	22.42	151.23	23.13	150.75	23.75	150.26	24.45	149.77	24.91	149.45	25.26
	-3	-4	172.14	25.43	171.59	26.05	171.03	26.57	170.48	27.22	169.93	27.57	169.56	27.84
	2	1	192.67	28.65	192.39	29.12	191.43	29.53	190.81	30.08	190.53	30.29	190.34	30.47
	7	6	208.43	29.74	208.43	30.05	207.59	30.29	206.42	30.70	206.42	30.74	206.42	30.81
	12	10	225.86	30.53	225.86	30.67	224.88	30.72	223.80	31.04	223.80	31.05	223.80	31.09
	17	15	245.55	30.67	245.55	30.68	244.14	30.68	243.43	30.69	243.43	30.70	243.43	30.70
	22	20	255.06	30.25	255.06	30.25	255.06	30.26	252.99	30.27	252.99	30.27	252.99	30.28
	27	24	270.26	29.65	270.26	29.65	269.92	29.66	268.22	29.66	268.22	29.67	268.22	29.67
	32	29	286.64	28.83	286.64	28.83	285.29	28.84	284.61	28.84	284.61	28.84	284.61	28.85
	37	34	299.22	27.47	298.48	27.47	297.57	27.48	297.23	27.48	296.90	27.48	296.24	27.49
	42	38	320.54	26.07	316.80	26.07	312.69	26.07	312.29	26.08	305.13	26.08	299.40	26.08
	47	43	341.11	24.75	334.15	24.75	327.18	24.75	320.22	24.76	313.26	24.76	299.40	23.93
	52	47	354.42	24.43	344.02	24.43	337.12	24.44	330.23	24.44	315.16	23.42	299.40	22.05
	57	52	367.38	24.03	360.48	24.04	353.59	24.04	338.80	23.13	315.16	21.25	299.40	20.02
	62	56	380.56	23.71	373.66	23.72	362.44	23.25	338.80	21.47	315.16	19.74	299.40	18.62
	67	61	397.02	23.32	386.07	22.91	362.44	21.26	338.80	19.66	315.16	18.10	299.40	17.09
	72	66	409.71	22.57	386.07	21.04	362.44	19.54	338.80	18.09	315.16	16.68	299.40	15.76
75	69	417.32	22.12	386.07	19.91	362.44	18.51	338.80	17.15	315.16	15.82	299.40	14.96	

NOTE - Power Input = Compressor + Outdoor Fan Motor.  
MBH = 1000 BTUs per hour.



# HEATING CAPACITY - TWO MODULE - VRA288H4

Combination (%)	Outdoor Temperature (°F)		Indoor Temperature - °F Dry Bulb											
			61		64		67		70		73		75	
	Dry Bulb	Wet Bulb	Total Cap. MBH	Power Input kW	Total Cap. MBH	Power Input kW	Total Cap. MBH	Power Input kW	Total Cap. MBH	Power Input kW	Total Cap. MBH	Power Input kW	Total Cap. MBH	Power Input kW
100%	-13	-13	122.71	20.82	122.41	21.38	122.05	21.95	121.65	22.49	121.39	22.99	121.12	24.14
	-8	-9	150.75	23.73	150.38	24.24	149.93	24.78	149.45	25.21	149.12	25.72	148.80	27.01
	-3	-4	171.03	26.59	170.62	27.01	170.11	27.52	169.56	27.80	169.19	28.30	168.82	29.72
	2	1	191.09	29.59	190.88	29.90	190.62	30.35	190.34	30.44	189.13	30.93	188.94	31.82
	7	6	207.18	30.38	206.61	30.54	206.42	30.89	206.42	30.80	204.91	31.26	204.41	32.17
	12	10	224.39	30.85	223.95	30.81	223.80	31.02	223.80	30.88	222.13	31.29	221.74	32.20
	17	15	240.54	30.68	238.98	30.69	238.46	30.69	234.60	30.70	237.77	30.70	236.39	30.71
	22	20	255.06	30.60	253.51	30.60	252.99	30.60	252.99	30.60	252.99	30.28	252.99	30.28
	27	24	269.75	30.23	268.60	30.23	268.22	30.23	268.22	30.23	267.70	29.67	267.70	29.67
	32	29	285.42	29.72	284.81	29.72	284.61	29.72	284.61	29.72	283.12	28.85	272.19	28.85
	37	34	298.23	28.65	297.48	28.65	297.23	28.65	296.24	28.65	285.10	27.49	272.19	27.49
	42	38	313.84	27.44	307.86	27.44	304.87	27.44	297.02	27.44	285.39	26.08	272.19	24.71
	<b>47</b>	<b>43</b>	<b>328.24</b>	<b>26.40</b>	<b>320.46</b>	<b>26.40</b>	<b>314.33</b>	<b>26.40</b>	<b>300.00</b>	<b>26.40</b>	<b>286.51</b>	<b>22.72</b>	<b>272.19</b>	<b>21.40</b>
	52	47	343.12	25.48	333.78	25.06	324.23	24.44	300.00	22.79	286.51	20.95	272.19	19.75
	57	52	356.51	24.66	343.24	24.04	329.49	22.38	300.00	20.69	286.51	19.04	272.19	17.97
	62	56	369.69	23.72	350.98	22.38	329.49	20.79	300.00	19.23	286.51	17.72	272.19	16.74
	67	61	372.47	21.96	350.98	20.48	329.49	19.04	300.00	17.64	286.51	16.28	272.19	15.39
	72	66	372.47	20.17	350.98	18.83	329.49	17.53	300.00	16.26	286.51	15.02	272.19	14.21
75	69	372.47	19.10	350.98	17.85	329.49	16.62	300.00	15.43	286.51	14.26	272.19	13.50	
90%	-13	-13	121.36	22.91	121.06	23.52	120.70	24.14	120.44	24.74	120.08	25.29	119.91	26.55
	-8	-9	149.08	26.10	148.72	26.66	148.27	27.26	147.95	27.74	147.52	28.29	147.30	29.71
	-3	-4	169.15	29.25	168.74	29.71	168.23	30.28	167.86	30.58	167.38	31.14	167.13	32.69
	2	1	190.11	32.55	189.13	32.88	188.62	33.38	188.44	33.48	188.09	34.02	187.76	34.65
	7	6	206.37	34.28	205.43	34.29	205.11	34.30	204.36	34.31	204.23	34.31	203.98	34.32
	12	10	221.36	32.72	221.36	32.73	220.39	32.74	219.32	32.74	219.32	32.75	219.32	32.75
	17	15	240.56	30.69	240.56	30.70	239.16	30.70	238.46	30.71	238.46	30.71	238.46	30.71
	22	20	249.40	30.27	249.40	30.27	249.40	30.28	249.40	30.28	251.29	30.29	244.97	30.29
	27	24	264.54	29.66	264.54	29.67	264.20	29.67	264.03	29.67	257.86	29.68	244.97	29.68
	32	29	279.54	28.84	274.06	28.84	272.75	28.85	272.10	28.85	257.86	28.86	244.97	28.86
	37	34	294.38	27.48	285.09	27.48	282.94	27.49	277.20	27.49	257.86	26.47	244.97	24.91
	42	38	308.69	26.08	298.65	26.08	290.24	26.08	277.20	25.25	257.86	23.19	244.97	21.86
	47	43	326.19	25.25	310.36	24.76	296.54	23.66	277.20	21.86	257.86	20.11	244.97	18.97
	52	47	329.18	24.44	315.88	23.48	296.54	21.80	277.20	20.16	257.86	18.57	244.97	17.54
	57	52	335.22	22.84	315.88	21.30	296.54	19.80	277.20	18.34	257.86	16.92	244.97	15.99
	62	56	335.22	21.21	315.88	19.80	296.54	18.42	277.20	17.08	257.86	15.77	244.97	14.92
	67	61	335.22	19.42	315.88	18.15	296.54	16.91	277.20	15.70	257.86	14.51	244.97	13.74
	72	66	335.22	17.87	315.88	16.72	296.54	15.59	277.20	14.49	257.86	13.41	244.97	12.71
75	69	335.22	16.95	315.88	15.86	296.54	14.80	277.20	13.77	257.86	12.76	244.97	12.10	
80%	-13	-13	120.02	25.20	119.82	25.87	119.58	26.56	119.23	27.21	119.01	27.82	118.84	29.21
	-8	-9	147.44	28.71	147.20	29.32	146.90	29.99	146.47	30.51	146.20	31.12	145.99	32.68
	-3	-4	167.28	32.18	167.01	32.69	166.67	33.30	166.19	33.64	165.88	34.25	165.64	35.96
	2	1	187.51	35.81	187.38	36.17	187.07	36.72	186.55	36.83	186.23	37.42	185.97	38.51
	7	6	201.50	34.30	200.95	34.30	200.60	34.31	200.27	34.32	200.06	34.32	199.90	34.33
	12	10	213.31	32.74	212.88	32.74	212.74	32.75	212.74	32.75	212.27	32.76	211.25	32.76
	17	15	228.93	30.70	228.93	30.70	228.93	30.71	228.93	30.71	223.69	30.72	217.75	30.72
	22	20	243.82	30.28	242.32	30.28	237.08	30.28	237.08	30.29	229.21	30.29	217.75	30.29
	27	24	255.65	29.67	252.08	29.67	248.61	29.68	243.94	29.68	229.21	29.68	217.75	29.37
	32	29	269.11	28.85	262.70	28.85	256.76	28.85	246.40	28.86	229.21	26.93	217.75	25.36
	37	34	279.57	27.49	271.75	27.49	259.04	27.17	246.40	25.08	229.21	23.06	217.75	21.75
	42	38	286.20	26.08	273.41	25.64	259.04	23.80	246.40	22.00	229.21	20.26	217.75	19.12
	47	43	286.20	23.79	273.41	22.19	259.04	20.62	246.40	19.10	229.21	17.61	217.75	16.65
	52	47	286.20	21.92	273.41	20.46	259.04	19.04	246.40	17.65	229.21	16.30	217.75	15.42
	57	52	286.20	19.91	273.41	18.61	259.04	17.34	246.40	16.10	229.21	14.88	217.75	14.09
	62	56	286.20	18.52	273.41	17.32	259.04	16.16	246.40	15.01	229.21	13.90	217.75	13.17
	67	61	286.20	17.00	273.41	15.92	259.04	14.86	246.40	13.83	229.21	12.82	217.75	12.16
	72	66	286.20	15.67	273.41	14.69	259.04	13.73	246.40	12.79	229.21	11.87	217.75	11.27
75	69	286.20	14.88	273.41	13.96	259.04	13.05	246.40	12.17	229.21	11.30	217.75	10.74	

NOTE - Power Input = Compressor + Outdoor Fan Motor.  
 MBH = 1000 BTUs per hour.

# HEATING CAPACITY - TWO MODULE - VRA288H4

Combination (%)	Outdoor Temperature (°F)		Indoor Temperature - °F Dry Bulb											
			61		64		67		70		73		75	
	Dry Bulb	Wet Bulb	Total Cap. MBH	Power Input kW	Total Cap. MBH	Power Input kW	Total Cap. MBH	Power Input kW	Total Cap. MBH	Power Input kW	Total Cap. MBH	Power Input kW	Total Cap. MBH	Power Input kW
70%	-13	-13	118.77	27.72	118.52	28.46	118.31	29.21	118.04	29.93	117.77	30.60	117.60	31.07
	-8	-9	145.91	31.58	145.59	32.26	145.34	32.99	145.01	33.56	144.68	34.24	144.47	36.31
	-3	-4	165.55	35.40	165.19	35.95	164.90	36.63	164.52	37.01	164.16	37.67	163.91	38.61
	2	1	185.65	37.42	185.36	37.80	185.01	38.37	184.69	38.49	186.12	39.10	183.96	39.75
	7	6	199.38	36.37	199.19	36.38	198.97	36.38	198.03	36.39	195.80	36.40	190.53	36.40
	12	10	214.48	34.39	210.27	34.39	209.34	34.40	208.32	34.40	200.56	34.41	190.53	34.41
	17	15	226.21	31.63	221.86	31.64	218.40	31.64	215.60	31.64	200.56	31.65	190.53	31.65
	22	20	235.48	30.28	230.86	30.29	227.05	30.29	215.60	30.30	200.56	30.19	190.53	28.41
	27	24	246.13	29.68	238.97	29.68	228.96	29.68	215.60	29.02	200.56	26.65	190.53	25.11
	32	29	251.85	28.86	240.40	28.86	228.96	27.13	215.60	25.07	200.56	23.07	190.53	21.77
	37	34	251.85	26.81	240.40	25.00	228.96	23.23	215.60	21.51	200.56	19.83	190.53	18.74
	42	38	251.85	23.49	240.40	21.93	228.96	20.40	215.60	18.91	200.56	17.46	190.53	16.52
	47	43	251.85	20.37	240.40	19.04	228.96	17.74	215.60	16.47	200.56	15.23	190.53	14.42
	52	47	251.85	18.81	240.40	17.59	228.96	16.41	215.60	15.26	200.56	14.13	190.53	13.39
	57	52	251.85	17.13	240.40	16.04	228.96	14.98	215.60	13.95	200.56	12.93	190.53	12.27
	62	56	251.85	15.96	240.40	14.97	228.96	13.99	215.60	13.04	200.56	12.10	190.53	11.49
	67	61	251.85	14.69	240.40	13.78	228.96	12.90	215.60	12.03	200.56	11.19	190.53	10.63
72	66	251.85	13.57	240.40	12.75	228.96	11.95	215.60	11.16	200.56	10.38	190.53	9.88	
75	69	251.85	12.90	240.40	12.13	228.96	11.37	215.60	10.63	200.56	9.90	190.53	9.42	
60%	-13	-13	116.40	31.05	116.15	31.06	115.95	31.07	115.68	31.08	115.42	31.09	115.25	31.09
	-8	-9	141.12	33.64	139.31	33.65	137.61	33.66	135.72	33.67	134.19	33.68	132.64	33.68
	-3	-4	165.50	34.46	161.91	34.46	158.47	34.47	154.72	34.48	151.72	34.49	148.59	34.49
	2	1	190.05	35.65	184.48	35.66	179.12	35.67	173.32	35.67	168.71	35.68	163.82	35.68
	7	6	207.10	36.39	199.69	36.39	192.52	36.40	184.80	36.40	178.68	36.41	172.14	36.41
	12	10	211.15	34.40	202.39	34.40	193.92	34.41	184.80	34.41	177.58	34.42	169.85	34.42
	17	15	214.84	31.95	204.86	31.33	195.19	31.33	184.80	31.34	176.59	30.09	167.76	28.33
	22	20	217.59	30.90	207.48	30.30	197.69	29.68	184.80	27.41	171.91	25.21	163.31	23.77
	27	24	217.59	29.68	207.48	28.22	197.69	26.21	184.80	24.24	171.91	22.34	163.31	21.09
	32	29	217.59	26.14	207.48	24.40	197.69	22.70	184.80	21.04	171.91	19.42	163.31	18.37
	37	34	217.59	22.40	207.48	20.94	197.69	19.52	184.80	18.12	171.91	16.76	163.31	15.88
	42	38	217.59	19.69	207.48	18.43	197.69	17.19	184.80	15.99	171.91	14.81	163.31	14.04
	47	43	223.48	17.13	210.59	16.05	197.69	15.00	184.80	13.97	171.91	12.96	163.31	12.30
	52	47	223.48	15.86	210.59	14.88	197.69	13.91	184.80	12.97	171.91	12.05	163.31	11.45
	57	52	223.48	14.49	210.59	13.61	197.69	12.74	184.80	11.90	171.91	11.07	163.31	10.53
	62	56	223.48	13.53	210.59	12.72	197.69	11.93	184.80	11.15	171.91	10.38	163.31	9.88
	67	61	223.48	12.48	210.59	11.75	197.69	11.03	184.80	10.32	171.91	9.62	163.31	9.16
72	66	223.48	11.57	210.59	10.90	197.69	10.24	184.80	9.59	171.91	8.95	163.31	8.54	
75	69	223.48	11.02	210.59	10.39	197.69	9.76	184.80	9.15	171.91	8.55	163.31	8.16	
50%	-13	-13	114.07	31.08	113.82	31.08	113.63	31.09	113.36	31.10	113.11	31.11	112.94	31.11
	-8	-9	135.26	33.67	133.30	33.68	131.37	33.68	129.39	33.69	127.42	33.70	126.11	33.70
	-3	-4	155.65	34.48	151.71	34.49	147.80	34.49	143.84	34.50	139.89	34.51	134.51	34.51
	2	1	168.54	35.67	162.66	35.68	156.81	35.68	150.92	35.69	143.26	35.69	136.09	35.70
	7	6	177.00	36.40	169.33	36.41	161.68	36.41	154.00	36.42	143.26	36.42	136.09	36.42
	12	10	181.75	34.41	172.49	34.42	163.25	34.42	154.00	34.26	143.26	31.45	136.09	29.62
	17	15	186.23	31.34	175.49	30.84	164.74	28.62	154.00	26.46	143.26	24.36	136.09	23.00
	22	20	186.23	27.66	175.49	25.81	164.74	24.01	154.00	22.25	143.26	20.54	136.09	19.43
	27	24	186.23	24.46	175.49	22.86	164.74	21.30	154.00	19.78	143.26	18.29	136.09	17.32
	32	29	186.23	21.22	175.49	19.87	164.74	18.54	154.00	17.25	143.26	15.99	136.09	15.16
	37	34	186.23	18.28	175.49	17.14	164.74	16.02	154.00	14.93	143.26	13.87	136.09	13.17
	42	38	186.23	16.12	175.49	15.13	164.74	14.17	154.00	13.22	143.26	12.29	136.09	11.69
	47	43	186.23	14.08	175.49	13.24	164.74	12.41	154.00	11.60	143.26	10.80	136.09	10.28
	52	47	186.23	13.08	175.49	12.31	164.74	11.55	154.00	10.81	143.26	10.08	136.09	9.60
	57	52	186.23	11.99	175.49	11.30	164.74	10.62	154.00	9.95	143.26	9.29	136.09	8.86
	62	56	186.23	11.23	175.49	10.59	164.74	9.96	154.00	9.34	143.26	8.73	136.09	8.33
	67	61	186.23	10.39	175.49	9.81	164.74	9.24	154.00	8.68	143.26	8.12	136.09	7.76
72	66	186.23	9.66	175.49	9.13	164.74	8.60	154.00	8.09	143.26	7.58	136.09	7.25	
75	69	186.23	9.22	175.49	8.72	164.74	8.22	154.00	7.74	143.26	7.26	136.09	6.94	

NOTE - Power Input = Compressor + Outdoor Fan Motor.  
MBH = 1000 BTUs per hour.

## COOLING CAPACITY - THREE MODULE - VRA312H4

Combination (%)	Outdoor Temperature °F (Dry Bulb)	Indoor Temperature - °F (Dry Bulb / Wet Bulb)											
		67 / 57		71 / 60		75 / 63		80 / 67		85 / 71		90 / 75	
		Total Cap.	Power Input	Total Cap.	Power Input	Total Cap.	Power Input	Total Cap.	Power Input	Total Cap.	Power Input	Total Cap.	Power Input
		MBH	kW	MBH	kW	MBH	kW	MBH	kW	MBH	kW	MBH	kW
130%	25	251.20	10.39	292.03	12.27	333.02	14.24	387.78	16.99	418.96	17.94	428.99	17.29
	30	251.20	10.60	292.03	12.54	333.02	14.57	387.78	17.34	412.14	17.84	422.17	17.14
	35	251.20	10.85	292.03	12.86	333.02	14.95	387.78	17.79	405.45	17.71	415.48	17.00
	40	251.20	11.10	292.03	13.18	333.02	15.33	387.78	18.23	398.77	17.59	408.79	16.85
	45	251.20	11.40	292.03	13.51	333.02	15.71	381.57	18.19	392.08	17.47	402.11	16.65
	50	251.20	11.69	292.03	13.85	333.02	16.09	375.37	18.14	385.39	17.34	395.42	16.45
	55	251.20	11.97	292.03	14.20	333.02	16.53	368.44	18.01	378.83	17.28	389.21	16.92
	60	251.20	12.29	292.03	14.59	333.02	16.95	361.99	18.19	372.02	18.06	382.05	18.23
	65	251.20	12.76	292.03	15.36	332.54	18.21	350.53	19.55	360.92	20.14	371.31	20.29
	70	251.20	13.08	292.03	16.28	329.20	19.32	348.62	20.41	358.65	20.66	368.68	20.91
	75	251.20	14.37	292.03	17.86	324.74	20.75	341.94	21.70	351.96	21.95	361.99	22.20
	80	251.20	15.76	292.03	19.68	319.97	22.22	334.77	23.04	344.92	23.31	355.07	23.56
	85	251.20	17.24	292.03	21.52	315.51	23.73	328.09	24.33	338.35	24.65	348.62	24.92
	90	251.20	18.88	291.49	23.51	310.81	25.30	321.40	25.69	331.43	25.99	341.46	26.29
	95	251.20	20.61	287.73	25.00	305.00	26.66	315.19	26.96	324.74	27.30	326.65	27.35
	100	251.20	22.40	282.36	26.45	297.84	28.00	307.07	28.29	309.94	28.44	309.94	28.44
	105	251.20	24.64	277.23	28.16	289.72	29.49	293.54	29.63	293.54	29.70	293.54	29.70
	110	251.20	27.55	270.54	30.37	276.99	31.32	276.99	31.32	276.99	31.32	276.99	31.32
115	238.78	31.61	238.78	31.61	239.42	31.61	239.74	31.71	240.69	31.71	241.65	31.81	
118	205.35	28.82	205.35	28.82	205.90	28.82	206.17	28.91	207.00	28.91	207.82	29.00	
120%	25	232.10	9.50	270.06	11.23	307.55	13.00	357.22	15.50	405.18	17.83	422.30	17.78
	30	232.10	9.70	270.06	11.49	307.55	13.28	357.22	15.86	402.11	17.94	415.48	17.64
	35	232.10	9.91	270.06	11.77	307.55	13.61	357.22	16.25	397.57	18.01	408.79	17.49
	40	232.10	10.11	270.06	12.04	307.55	13.94	357.22	16.65	393.04	18.09	402.11	17.34
	45	232.10	10.41	270.06	12.34	307.55	14.30	357.22	17.05	385.87	17.96	395.42	17.19
	50	232.10	10.70	270.06	12.64	307.55	14.67	357.22	17.44	378.71	17.84	388.74	17.05
	55	232.10	10.95	270.06	12.98	307.55	15.06	357.22	17.94	372.50	17.70	381.81	17.12
	60	232.10	11.20	270.06	13.32	307.55	15.48	355.31	18.23	365.58	18.04	375.37	18.14
	65	232.10	11.67	270.06	13.88	307.55	16.32	346.95	19.05	355.07	19.89	363.90	20.19
	70	232.10	11.79	270.06	14.54	307.55	17.51	342.89	20.32	351.96	20.56	361.99	20.71
	75	232.10	12.88	270.06	15.93	307.55	19.26	336.21	21.60	345.28	21.85	355.31	22.10
	80	232.10	14.12	270.06	17.47	307.23	21.11	329.28	22.87	339.07	23.12	348.14	23.36
	85	232.10	15.41	270.06	19.13	304.69	22.78	322.83	24.18	331.91	24.45	341.46	24.73
	90	232.10	16.85	270.06	20.94	300.23	24.30	315.67	25.49	325.46	25.79	334.77	26.09
	95	232.10	18.33	270.06	22.87	295.45	25.83	309.46	26.86	318.54	27.10	326.65	27.35
	100	232.10	19.97	270.06	24.97	291.31	27.48	302.30	28.12	308.86	28.40	309.94	28.44
	105	232.10	21.93	268.63	27.31	286.11	29.32	292.91	29.60	293.54	29.70	293.54	29.70
	110	232.10	24.48	264.33	29.53	276.35	31.28	276.99	31.32	276.99	31.32	276.99	31.32
115	232.10	27.25	237.11	30.52	239.42	31.61	239.74	31.71	240.69	31.71	241.65	31.81	
118	205.35	25.56	205.35	28.02	205.90	28.82	206.17	28.91	207.00	28.91	207.82	29.00	
110%	25	212.99	8.66	247.38	10.18	281.76	11.76	327.61	13.99	373.46	16.30	414.93	18.28
	30	212.99	8.84	247.38	10.39	281.76	12.02	327.61	14.27	373.46	16.65	408.79	18.14
	35	212.99	9.04	247.38	10.66	281.76	12.32	327.61	14.67	373.46	17.07	401.63	18.04
	40	212.99	9.25	247.38	10.93	281.76	12.62	327.61	15.06	373.46	17.49	394.47	17.94
	45	212.99	9.46	247.38	11.17	281.76	12.93	327.61	15.41	371.07	17.71	387.78	17.79
	50	212.99	9.68	247.38	11.41	281.76	13.25	327.61	15.76	368.68	17.94	381.10	17.64
	55	212.99	9.94	247.38	11.76	281.76	13.62	327.61	16.23	364.86	18.09	374.89	17.52
	60	212.99	10.21	247.38	12.07	281.76	13.97	327.61	16.65	359.37	18.21	367.72	17.99
	65	212.99	10.60	247.38	12.52	281.76	14.58	327.61	17.81	348.50	19.30	356.98	20.09
	70	212.99	10.70	247.38	12.93	281.76	15.39	327.61	19.23	345.76	20.37	354.35	20.61
	75	212.99	11.50	247.38	14.10	281.76	16.95	327.61	21.21	339.07	21.65	347.67	21.90
	80	212.99	12.51	247.38	15.47	281.76	18.61	323.55	22.74	332.50	22.99	340.74	23.16
	85	212.99	13.68	247.38	16.91	281.76	20.40	317.10	24.03	325.70	24.28	334.29	24.53
	90	212.99	14.91	247.38	18.48	281.76	22.33	309.94	25.32	318.89	25.61	327.85	25.89
	95	212.99	16.25	247.38	20.12	281.76	24.38	303.73	26.66	312.33	26.91	320.92	27.15
	100	212.99	17.74	247.38	21.99	279.69	26.29	296.81	27.92	304.81	28.24	309.94	28.44
	105	212.99	19.42	247.38	24.21	275.61	28.16	290.04	29.53	293.38	29.68	293.54	29.70
	110	212.99	21.60	247.38	26.96	270.94	30.46	276.99	31.32	276.99	31.32	276.99	31.32
115	212.99	24.08	232.33	29.73	239.42	31.61	239.74	31.71	240.69	31.71	241.65	31.81	
118	205.35	24.61	205.35	27.85	205.90	28.82	206.17	28.91	207.00	28.91	207.82	29.00	

NOTE - Power Input = Compressor + Outdoor Fan Motor.  
MBH = 1000 BTUs per hour.

## COOLING CAPACITY - THREE MODULE - VRA312H4

Combination (%)	Outdoor Temperature °F (Dry Bulb)	Indoor Temperature - °F (Dry Bulb / Wet Bulb)											
		67 / 57		71 / 60		75 / 63		80 / 67		85 / 71		90 / 75	
		Total Cap.	Power Input	Total Cap.	Power Input	Total Cap.	Power Input	Total Cap.	Power Input	Total Cap.	Power Input	Total Cap.	Power Input
		MBH	kW	MBH	kW	MBH	kW	MBH	kW	MBH	kW	MBH	kW
100%	25	192.94	7.84	224.46	9.19	255.97	10.60	298.00	12.50	340.03	14.60	382.05	16.69
	30	192.94	8.01	224.46	9.39	255.97	10.82	298.00	12.78	340.03	14.91	382.05	17.05
	35	192.94	8.18	224.46	9.60	255.97	11.09	298.00	13.13	340.03	15.29	382.05	17.49
	40	192.94	8.35	224.46	9.82	255.97	11.36	298.00	13.48	340.03	15.66	382.05	17.94
	45	192.94	8.55	224.46	10.05	255.97	11.64	298.00	13.82	340.03	16.05	378.23	18.09
	50	192.94	8.74	224.46	10.29	255.97	11.93	298.00	14.17	340.03	16.45	374.41	18.23
	55	192.94	8.95	224.46	10.54	255.97	12.20	298.00	14.54	340.03	16.93	367.49	18.11
	60	192.94	9.18	224.46	10.84	255.97	12.55	298.00	14.91	340.03	17.37	361.04	18.19
	65	192.94	9.56	224.46	11.29	255.97	13.11	298.00	15.58	338.59	18.58	349.58	19.37
	70	192.94	9.66	224.46	11.41	255.97	13.44	298.00	16.65	335.25	19.82	347.67	20.41
	75	192.94	10.11	224.46	12.34	255.97	14.80	298.00	18.33	331.91	21.46	340.98	21.70
	80	192.94	11.10	224.46	13.53	255.97	16.23	298.00	20.19	326.18	22.82	333.82	23.04
	85	192.94	12.09	224.46	14.80	255.97	17.76	298.00	22.10	319.25	24.13	327.13	24.33
	90	192.94	13.16	224.46	16.15	255.97	19.41	298.00	24.23	312.69	25.41	320.45	25.62
	95	192.94	14.27	224.46	17.62	255.97	21.17	298.00	26.46	305.64	26.71	313.28	26.96
	100	192.94	15.53	224.46	19.16	255.97	23.12	291.08	27.72	299.43	28.02	306.36	28.29
	105	192.94	17.08	224.46	21.07	255.97	25.44	284.31	29.33	291.63	29.60	293.54	29.70
	110	192.94	18.93	224.46	23.46	255.97	28.34	276.99	31.32	276.99	31.32	276.99	31.32
115	192.94	21.01	224.46	26.14	238.15	30.36	239.74	31.71	240.69	31.71	241.65	31.81	
118	192.94	22.27	197.52	24.38	205.90	27.82	206.17	28.91	207.00	28.91	207.82	29.00	
90%	25	173.83	7.05	202.49	8.22	230.50	9.44	268.39	11.11	305.64	12.95	343.85	14.81
	30	173.83	7.19	202.49	8.39	230.50	9.67	268.39	11.40	305.64	13.23	343.85	15.16
	35	173.83	7.35	202.49	8.58	230.50	9.87	268.39	11.64	305.64	13.55	343.85	15.51
	40	173.83	7.50	202.49	8.77	230.50	10.07	268.39	11.89	305.64	13.87	343.85	15.86
	45	173.83	7.67	202.49	8.98	230.50	10.34	268.39	12.24	305.64	14.22	343.85	16.25
	50	173.83	7.84	202.49	9.18	230.50	10.61	268.39	12.59	305.64	14.57	343.85	16.65
	55	173.83	8.02	202.49	9.41	230.50	10.85	268.39	12.86	305.64	14.99	343.85	17.14
	60	173.83	8.22	202.49	9.64	230.50	11.13	268.39	13.23	305.64	15.36	343.85	17.59
	65	173.83	8.54	202.49	10.01	230.50	11.61	268.39	13.82	305.64	16.14	343.85	18.93
	70	173.83	8.63	202.49	10.19	230.50	11.76	268.39	14.37	305.64	17.34	340.03	20.32
	75	173.83	8.87	202.49	10.76	230.50	12.78	268.39	15.76	305.64	19.08	333.34	21.50
	80	173.83	9.69	202.49	11.73	230.50	13.97	268.39	17.27	305.64	20.96	326.42	22.84
	85	173.83	10.55	202.49	12.82	230.50	15.29	268.39	18.93	304.92	22.87	319.97	24.13
	90	173.83	11.50	202.49	13.99	230.50	16.70	268.39	20.74	302.06	24.66	313.52	25.42
	95	173.83	12.49	202.49	15.24	230.50	18.20	268.39	22.60	298.48	26.41	306.60	26.76
	100	173.83	13.50	202.49	16.55	230.50	19.85	268.39	24.70	292.75	27.81	299.67	28.02
	105	173.83	14.83	202.49	18.20	230.50	21.84	268.39	27.15	285.90	29.38	292.27	29.63
	110	173.83	16.45	202.49	20.24	230.50	24.28	268.39	30.32	276.99	31.32	276.99	31.32
115	173.83	18.23	202.49	22.47	230.50	29.04	239.74	31.71	240.69	31.71	241.65	31.81	
118	173.83	19.33	197.52	23.24	200.54	26.78	206.17	28.91	207.00	28.91	207.82	29.00	
80%	25	154.73	6.30	179.80	7.29	204.72	8.33	238.78	9.78	271.73	11.31	305.64	12.90
	30	154.73	6.42	179.80	7.44	204.72	8.51	238.78	10.01	271.73	11.59	305.64	13.18
	35	154.73	6.55	179.80	7.60	204.72	8.70	238.78	10.26	271.73	11.87	305.64	13.53
	40	154.73	6.68	179.80	7.76	204.72	8.89	238.78	10.50	271.73	12.14	305.64	13.87
	45	154.73	6.82	179.80	7.94	204.72	9.10	238.78	10.75	271.73	12.44	305.64	14.22
	50	154.73	6.97	179.80	8.12	204.72	9.31	238.78	11.00	271.73	12.73	305.64	14.57
	55	154.73	7.13	179.80	8.31	204.72	9.54	238.78	11.25	271.73	13.09	305.64	14.94
	60	154.73	7.29	179.80	8.51	204.72	9.78	238.78	11.55	271.73	13.43	305.64	15.36
	65	154.73	7.56	179.80	8.85	204.72	10.16	238.78	12.07	271.73	14.02	305.64	16.15
	70	154.73	7.65	179.80	8.95	204.72	10.33	238.78	12.19	271.73	14.62	305.64	17.24
	75	154.73	7.84	179.80	9.30	204.72	10.92	238.78	13.38	271.73	16.05	305.64	19.03
	80	154.73	8.41	179.80	10.13	204.72	11.97	238.78	14.64	271.73	17.63	305.64	20.91
	85	154.73	9.14	179.80	11.06	204.72	13.05	238.78	16.00	271.73	19.32	305.64	22.94
	90	154.73	9.94	179.80	12.00	204.72	14.22	238.78	17.44	271.73	21.13	304.92	25.05
	95	154.73	10.80	179.80	13.03	204.72	15.49	238.78	19.03	271.73	23.04	298.96	26.46
	100	154.73	11.67	179.80	14.18	204.72	16.83	238.78	20.79	271.73	25.18	292.75	27.80
	105	154.73	12.72	179.80	15.49	204.72	18.47	238.78	22.83	271.73	27.75	285.90	29.33
	110	154.73	14.17	179.80	17.22	204.72	20.55	238.78	25.47	268.87	30.37	276.99	31.32
115	154.73	15.66	179.80	19.08	204.72	22.79	238.78	28.34	240.69	31.71	241.65	31.81	
118	154.73	16.60	179.80	20.22	200.54	23.67	206.17	25.94	207.00	28.91	207.82	29.00	

NOTE - Power Input = Compressor + Outdoor Fan Motor.  
MBH = 1000 BTUs per hour.

## COOLING CAPACITY - THREE MODULE - VRA312H4

Combination (%)	Outdoor Temperature °F (Dry Bulb)	Indoor Temperature - °F (Dry Bulb / Wet Bulb)											
		67 / 57		71 / 60		75 / 63		80 / 67		85 / 71		90 / 75	
		Total Cap.	Power Input	Total Cap.	Power Input	Total Cap.	Power Input	Total Cap.	Power Input	Total Cap.	Power Input	Total Cap.	Power Input
		MBH	kW	MBH	kW	MBH	kW	MBH	kW	MBH	kW	MBH	kW
70%	25	135.63	5.59	157.12	6.42	178.93	7.27	208.22	8.48	237.83	9.76	267.44	11.09
	30	135.63	5.69	157.12	6.54	178.93	7.42	208.22	8.66	237.83	9.97	267.44	11.30
	35	135.63	5.80	157.12	6.67	178.93	7.58	208.22	8.85	237.83	10.21	267.44	11.59
	40	135.63	5.91	157.12	6.80	178.93	7.74	208.22	9.05	237.83	10.46	267.44	11.89
	45	135.63	6.03	157.12	6.95	178.93	7.91	208.22	9.27	237.83	10.70	267.44	12.19
	50	135.63	6.14	157.12	7.10	178.93	8.09	208.22	9.48	237.83	10.95	267.44	12.49
	55	135.63	6.27	157.12	7.26	178.93	8.28	208.22	9.72	237.83	11.25	267.44	12.83
	60	135.63	6.41	157.12	7.43	178.93	8.48	208.22	9.98	237.83	11.52	267.44	13.13
	65	135.63	6.63	157.12	7.70	178.93	8.82	208.22	10.44	237.83	12.02	267.44	13.73
	70	135.63	6.70	157.12	7.78	178.93	8.91	208.22	10.50	237.83	12.19	267.44	14.27
	75	135.63	6.87	157.12	7.99	178.93	9.24	208.22	11.20	237.83	13.33	267.44	15.66
	80	135.63	7.22	157.12	8.60	178.93	10.07	208.22	12.21	237.83	14.63	267.44	17.17
	85	135.63	7.83	157.12	9.36	178.93	10.95	208.22	13.33	237.83	15.98	267.44	18.83
	90	135.63	8.49	157.12	10.17	178.93	11.95	208.22	14.52	237.83	17.44	267.44	20.56
	95	135.63	9.19	157.12	10.99	178.93	12.98	208.22	15.86	237.83	18.98	267.44	22.50
	100	135.63	9.94	157.12	11.92	178.93	14.07	208.22	17.24	237.83	20.72	267.44	24.53
	105	135.63	10.87	157.12	13.05	178.93	15.40	208.22	18.93	237.83	22.76	267.44	27.05
	110	135.63	11.99	157.12	14.44	178.93	17.11	208.22	21.01	237.83	25.42	267.44	30.13
115	135.63	13.28	157.12	16.03	178.93	18.99	208.22	23.39	235.44	29.33	241.65	31.81	
118	135.63	14.08	157.12	16.99	178.93	20.13	187.40	22.31	207.00	27.34	207.82	29.00	
60%	25	115.57	4.91	134.91	5.58	153.46	6.27	178.61	7.24	203.92	8.28	229.23	9.37
	30	115.57	4.98	134.91	5.68	153.46	6.39	178.61	7.39	203.92	8.46	229.23	9.56
	35	115.57	5.07	134.91	5.78	153.46	6.52	178.61	7.55	203.92	8.65	229.23	9.79
	40	115.57	5.16	134.91	5.89	153.46	6.65	178.61	7.71	203.92	8.84	229.23	10.01
	45	115.57	5.26	134.91	6.01	153.46	6.79	178.61	7.88	203.92	9.05	229.23	10.26
	50	115.57	5.36	134.91	6.13	153.46	6.93	178.61	8.06	203.92	9.26	229.23	10.50
	55	115.57	5.46	134.91	6.26	153.46	7.09	178.61	8.25	203.92	9.48	229.23	10.75
	60	115.57	5.57	134.91	6.40	153.46	7.25	178.61	8.45	203.92	9.70	229.23	11.05
	65	115.57	5.75	134.91	6.62	153.46	7.52	178.61	8.79	203.92	10.13	229.23	11.57
	70	115.57	5.81	134.91	6.68	153.46	7.60	178.61	8.88	203.92	10.25	229.23	11.69
	75	115.57	5.95	134.91	6.85	153.46	7.80	178.61	9.18	203.92	10.85	229.23	12.68
	80	115.57	6.15	134.91	7.21	153.46	8.35	178.61	10.01	203.92	11.85	229.23	13.82
	85	115.57	6.64	134.91	7.82	153.46	9.08	178.61	10.90	203.92	12.96	229.23	15.11
	90	115.57	7.17	134.91	8.47	153.46	9.86	178.61	11.89	203.92	14.13	229.23	16.55
	95	115.57	7.75	134.91	9.17	153.46	10.68	178.61	12.88	203.92	15.31	229.23	18.04
	100	115.57	8.36	134.91	9.93	153.46	11.61	178.61	14.00	203.92	16.74	229.23	19.65
	105	115.57	9.10	134.91	10.80	153.46	12.66	178.61	15.33	203.92	18.35	229.23	21.54
	110	115.57	10.01	134.91	11.94	153.46	14.04	178.61	17.05	203.92	20.41	229.23	23.98
115	115.57	11.10	134.91	13.25	153.46	15.56	178.61	18.93	203.92	22.64	229.23	26.76	
118	115.57	11.77	134.91	14.05	153.46	16.49	178.61	20.06	187.61	22.08	207.82	25.71	
50%	25	95.51	4.22	112.71	4.74	127.99	5.27	149.00	6.01	170.01	6.80	191.03	7.64
	30	95.51	4.28	112.71	4.82	127.99	5.36	149.00	6.12	170.01	6.95	191.03	7.83
	35	95.51	4.35	112.71	4.90	127.99	5.46	149.00	6.25	170.01	7.09	191.03	7.98
	40	95.51	4.42	112.71	4.98	127.99	5.56	149.00	6.37	170.01	7.22	191.03	8.13
	45	95.51	4.50	112.71	5.07	127.99	5.67	149.00	6.50	170.01	7.39	191.03	8.32
	50	95.51	4.58	112.71	5.16	127.99	5.77	149.00	6.63	170.01	7.56	191.03	8.52
	55	95.51	4.66	112.71	5.26	127.99	5.89	149.00	6.77	170.01	7.72	191.03	8.67
	60	95.51	4.74	112.71	5.37	127.99	6.02	149.00	6.91	170.01	7.89	191.03	8.97
	65	95.51	4.87	112.71	5.53	127.99	6.22	149.00	7.13	170.01	8.25	191.03	9.41
	70	95.51	4.92	112.71	5.58	127.99	6.28	149.00	7.25	170.01	8.30	191.03	9.12
	75	95.51	5.02	112.71	5.72	127.99	6.36	149.00	7.16	170.01	8.37	191.03	9.71
	80	95.51	5.08	112.71	5.82	127.99	6.63	149.00	7.80	170.01	9.08	191.03	10.48
	85	95.51	5.45	112.71	6.29	127.99	7.21	149.00	8.47	170.01	9.93	191.03	11.40
	90	95.51	5.86	112.71	6.78	127.99	7.77	149.00	9.27	170.01	10.83	191.03	12.54
	95	95.51	6.31	112.71	7.35	127.99	8.38	149.00	9.91	170.01	11.64	191.03	13.58
	100	95.51	6.79	112.71	7.94	127.99	9.15	149.00	10.75	170.01	12.75	191.03	14.77
	105	95.51	7.33	112.71	8.55	127.99	9.92	149.00	11.73	170.01	13.94	191.03	16.02
	110	95.51	8.03	112.71	9.44	127.99	10.97	149.00	13.08	170.01	15.41	191.03	17.84
115	95.51	8.92	112.71	10.48	127.99	12.12	149.00	14.47	170.01	15.96	191.03	21.70	
118	95.51	9.45	112.71	11.11	127.99	12.85	149.00	15.34	170.01	16.91	191.03	23.01	

NOTE - Power Input = Compressor + Outdoor Fan Motor.  
MBH = 1000 BTUs per hour.



## HEATING CAPACITY - THREE MODULE - VRA312H4

Combination (%)	Outdoor Temperature (°F)		Indoor Temperature - °F Dry Bulb											
			61		64		67		70		73		75	
	Dry Bulb	Wet Bulb	Total Cap. MBH	Power Input kW	Total Cap. MBH	Power Input kW	Total Cap. MBH	Power Input kW	Total Cap. MBH	Power Input kW	Total Cap. MBH	Power Input kW	Total Cap. MBH	Power Input kW
130%	-13	-13	139.64	20.23	139.14	21.02	138.81	21.70	138.42	22.39	137.96	23.05	137.75	23.46
	-8	-9	164.27	23.41	163.68	24.14	163.30	24.79	162.84	25.43	162.29	26.04	162.04	26.41
	-3	-4	193.89	27.01	193.20	27.66	192.74	28.24	192.20	28.81	191.56	29.32	191.26	29.65
	2	1	214.68	30.28	213.96	30.78	213.26	31.26	212.65	31.70	212.10	32.08	211.71	32.35
	7	6	235.50	33.18	234.74	33.55	233.93	33.88	233.46	34.19	232.70	34.45	232.26	34.62
	12	10	256.82	35.93	256.04	36.14	255.17	36.31	254.68	36.45	253.92	36.59	253.45	36.67
	17	15	277.90	37.19	277.10	37.20	276.58	37.21	275.77	37.22	275.09	37.23	274.51	37.23
	22	20	293.29	36.51	292.50	36.52	291.97	36.53	290.98	36.54	290.50	36.55	289.93	36.55
	27	24	309.27	35.53	307.76	35.53	307.02	35.54	306.79	35.55	305.77	35.56	304.42	35.56
	32	29	324.09	33.52	323.04	33.53	322.07	33.53	321.49	33.54	320.84	33.54	319.91	33.55
	37	34	340.24	31.98	339.39	31.99	338.34	31.99	337.73	32.00	337.42	32.01	337.26	32.01
	42	38	371.75	30.40	371.05	30.41	369.88	30.41	360.64	30.42	359.93	30.42	359.08	30.20
	47	43	379.15	28.47	370.56	28.47	361.97	28.48	353.37	28.48	346.12	28.49	341.69	28.27
	52	47	393.57	27.50	384.98	27.50	376.38	27.51	367.79	27.51	360.60	27.41	353.46	27.20
	57	52	411.60	26.60	403.00	26.61	394.41	26.61	385.81	26.61	375.24	26.41	365.85	26.10
	62	56	426.02	26.08	417.42	25.88	408.83	25.88	400.23	25.89	385.19	25.53	367.63	24.40
	67	61	440.69	25.28	432.16	25.09	423.63	24.90	411.93	24.91	386.98	23.50	367.63	22.30
	72	66	455.07	24.62	446.61	24.33	438.14	24.13	416.00	23.33	386.98	21.60	367.63	20.36
75	69	465.71	24.31	457.25	23.92	448.78	23.63	418.44	22.23	386.98	20.22	367.63	19.07	
120%	-13	-13	138.89	21.57	138.62	22.09	138.17	22.69	137.87	23.28	137.45	23.85	137.15	24.19
	-8	-9	163.39	24.64	163.08	25.15	162.54	25.70	162.18	26.26	161.69	26.77	161.35	27.09
	-3	-4	192.86	28.08	192.48	28.55	191.85	29.04	191.43	29.55	190.85	29.98	190.44	30.26
	2	1	213.62	31.08	213.05	31.50	212.33	31.87	211.89	32.30	211.13	32.61	210.74	32.83
	7	6	234.30	33.76	233.67	34.04	232.91	34.30	232.45	34.63	231.80	34.82	231.26	34.98
	12	10	255.59	36.27	254.91	36.39	254.33	36.51	253.64	36.71	253.06	36.79	252.41	36.86
	17	15	276.84	37.20	276.04	37.21	275.51	37.22	274.51	37.23	274.19	37.24	273.93	37.24
	22	20	292.24	36.53	291.44	36.53	290.92	36.54	289.93	36.55	289.60	36.56	289.34	36.56
	27	24	306.91	35.54	306.82	35.54	306.56	35.55	306.32	35.56	304.30	35.56	304.07	35.57
	32	29	322.51	33.53	321.74	33.53	321.36	33.54	321.02	33.54	319.85	33.55	319.72	33.55
	37	34	335.24	31.76	334.39	31.77	333.96	31.77	333.88	31.78	330.78	31.78	328.84	31.79
	42	38	354.53	29.97	351.03	29.98	350.54	29.98	350.45	29.99	341.92	29.99	335.32	30.00
	47	43	379.42	28.73	373.61	28.55	367.69	28.20	359.40	28.20	351.11	28.21	337.88	28.21
	52	47	394.65	27.77	386.46	27.27	378.26	27.11	370.07	26.94	355.51	26.95	339.35	26.54
	57	52	404.45	26.54	394.94	26.23	386.95	25.92	378.96	25.62	357.21	25.25	339.35	24.05
	62	56	418.99	25.78	406.97	25.49	395.10	25.19	383.52	24.74	357.21	23.17	339.35	21.96
	67	61	432.93	25.14	418.23	24.70	404.10	24.27	384.00	22.97	357.21	21.50	339.35	20.15
	72	66	443.78	24.63	432.11	24.07	408.25	22.98	384.00	21.24	357.21	19.55	339.35	18.45
75	69	454.43	24.32	444.73	23.41	411.77	21.76	384.00	20.04	357.21	18.46	339.35	17.43	
110%	-13	-13	138.18	22.52	137.94	23.11	137.50	23.59	137.15	24.12	136.85	24.52	136.48	24.78
	-8	-9	162.56	25.55	162.28	26.09	161.75	26.54	161.35	27.02	160.99	27.40	160.56	27.61
	-3	-4	191.87	28.91	191.54	29.37	190.92	29.77	190.44	30.20	190.02	30.53	189.52	30.69
	2	1	212.47	31.78	212.03	32.13	211.51	32.45	210.83	32.78	210.40	33.05	210.09	33.13
	7	6	233.11	34.24	232.61	34.49	232.09	34.71	231.44	34.94	230.93	35.10	230.64	35.13
	12	10	254.35	36.46	253.82	36.63	253.29	36.75	252.93	36.83	252.18	36.92	251.84	36.87
	17	15	275.58	37.21	275.14	37.22	274.54	37.23	273.93	37.24	273.12	37.25	272.86	37.25
	22	20	290.98	36.54	290.19	36.54	289.80	36.55	289.34	36.56	288.55	36.56	288.29	36.50
	27	24	306.79	35.55	306.53	35.55	305.09	35.56	304.07	35.56	303.84	35.57	301.48	35.44
	32	29	321.49	33.54	321.35	33.54	320.37	33.55	319.72	33.55	317.46	33.56	308.14	33.36
	37	34	338.38	31.18	333.94	31.18	333.73	31.19	331.61	31.19	322.49	31.20	311.07	30.95
	42	38	354.50	29.25	349.72	29.25	348.20	29.25	342.44	29.26	324.35	29.26	311.07	28.96
	47	43	370.40	27.03	365.12	27.03	359.24	27.03	345.91	27.04	327.44	27.04	311.07	26.13
	52	47	380.22	26.61	375.03	26.61	367.06	26.62	349.12	26.62	327.44	25.44	311.07	23.95
	57	52	394.65	26.09	387.27	26.09	374.19	26.10	352.00	24.98	327.44	22.95	311.07	21.63
	62	56	406.82	25.67	395.36	25.68	376.56	24.99	352.00	23.08	327.44	21.23	311.07	20.02
	67	61	419.87	25.15	401.12	24.48	376.56	22.72	352.00	21.01	327.44	19.35	311.07	18.27
	72	66	425.67	23.97	401.12	22.35	376.56	20.77	352.00	19.23	327.44	17.73	311.07	16.75
75	69	432.23	23.26	401.12	21.07	376.56	19.60	352.00	18.16	327.44	16.76	311.07	15.84	

NOTE - Power Input = Compressor + Outdoor Fan Motor.  
MBH = 1000 BTUs per hour.

# HEATING CAPACITY - THREE MODULE - VRA312H4

Combination (%)	Outdoor Temperature (°F)		Indoor Temperature - °F Dry Bulb											
			61		64		67		70		73		75	
	Dry Bulb	Wet Bulb	Total Cap. MBH	Power Input kW	Total Cap. MBH	Power Input kW	Total Cap. MBH	Power Input kW	Total Cap. MBH	Power Input kW	Total Cap. MBH	Power Input kW	Total Cap. MBH	Power Input kW
100%	-13	-13	137.64	23.60	137.27	24.04	137.02	24.44	136.48	24.93	136.30	25.44	136.17	26.53
	-8	-9	161.91	26.54	161.49	26.94	161.19	27.31	160.56	27.79	160.34	28.27	160.19	29.48
	-3	-4	191.11	29.78	190.61	30.12	190.26	30.43	189.52	30.89	189.26	31.34	189.07	32.68
	2	1	211.50	32.46	210.93	32.71	210.62	32.95	210.09	33.36	209.53	33.74	209.41	35.19
	7	6	232.26	34.72	231.51	34.89	231.13	35.06	230.64	35.40	230.00	35.72	229.87	37.24
	12	10	253.45	36.74	253.02	36.82	252.43	36.91	251.84	37.14	251.42	37.37	250.98	38.21
	17	15	274.32	37.23	274.02	37.23	273.35	37.24	272.86	37.25	272.38	37.52	271.80	37.78
	22	20	289.73	36.55	289.44	36.55	288.77	36.56	288.29	36.57	285.56	36.65	276.03	36.67
	27	24	304.42	35.56	304.16	35.56	303.99	35.57	303.60	35.57	293.14	35.24	280.64	35.27
	32	29	319.91	33.90	315.77	33.79	314.56	33.55	311.07	33.56	296.54	33.08	282.79	32.77
	37	34	335.78	32.15	329.33	32.04	325.71	31.42	315.27	31.19	297.67	30.58	282.79	30.18
	42	38	348.05	30.75	341.99	30.17	332.19	29.48	317.10	29.26	297.67	28.16	282.79	27.08
	<b>47</b>	<b>43</b>	<b>360.64</b>	<b>29.13</b>	<b>351.55</b>	<b>28.59</b>	<b>336.38</b>	<b>27.78</b>	<b>320.00</b>	<b>27.03</b>	297.67	25.27	282.79	23.81
	52	47	369.16	28.00	356.38	27.36	340.77	26.29	320.00	24.95	297.67	23.21	282.79	21.62
	57	52	378.97	26.98	364.18	25.99	342.33	24.36	320.00	22.52	297.67	20.73	282.79	19.56
	62	56	385.19	25.62	364.65	24.06	342.33	22.34	320.00	20.68	297.67	19.05	282.79	18.00
	67	61	386.98	23.46	364.65	21.89	342.33	20.35	320.00	18.86	297.67	17.40	282.79	16.45
	72	66	386.98	21.43	364.65	20.02	342.33	18.63	320.00	17.28	297.67	15.97	282.79	15.11
	75	69	386.98	20.22	364.65	18.89	342.33	17.60	320.00	16.34	297.67	15.11	282.79	14.31
	90%	-13	-13	135.08	25.96	134.68	26.44	134.43	26.88	134.26	27.42	133.77	27.79	133.65
-8		-9	158.90	29.20	158.43	29.64	158.14	30.04	157.94	30.57	157.37	30.88	157.21	32.43
-3		-4	186.18	32.76	185.63	33.13	185.30	33.48	185.05	33.98	184.39	34.23	184.21	35.69
2		1	204.99	35.71	204.58	35.98	204.12	36.25	203.79	36.70	203.19	36.86	202.92	37.80
7		6	222.64	38.50	222.25	38.51	221.77	38.52	221.42	38.52	220.81	38.53	220.51	38.54
12		10	243.00	38.71	242.63	38.72	242.13	38.73	241.76	38.73	241.24	38.74	240.81	38.75
17		15	264.33	37.98	264.05	37.99	263.71	38.00	262.93	38.00	257.62	38.01	252.64	38.01
22		20	274.85	36.56	274.57	36.56	272.19	36.48	269.99	36.33	262.58	36.19	252.55	36.10
27		24	296.47	35.57	290.06	35.57	284.61	35.39	280.48	35.10	265.87	34.82	254.51	34.64
32		29	313.34	33.99	304.35	33.56	295.02	33.30	285.81	32.88	267.91	32.47	254.51	32.20
37		34	325.08	31.79	314.81	31.20	302.30	30.86	288.00	30.32	267.91	29.05	254.51	27.59
42		38	335.31	29.81	320.84	29.26	305.93	28.86	288.00	27.62	267.91	25.54	254.51	24.18
47		43	340.43	27.68	324.46	27.04	308.09	25.84	288.00	23.87	267.91	21.96	254.51	20.72
52		47	344.63	26.62	328.19	25.51	308.09	23.69	288.00	21.91	267.91	20.18	254.51	19.06
57		52	348.28	24.67	328.19	23.01	308.09	21.39	288.00	19.81	267.91	18.28	254.51	17.28
62		56	348.28	22.80	328.19	21.28	308.09	19.80	288.00	18.36	267.91	16.96	254.51	16.05
67		61	348.28	20.76	328.19	19.40	308.09	18.08	288.00	16.78	267.91	15.52	254.51	14.70
72		66	348.28	19.00	328.19	17.77	308.09	16.58	288.00	15.41	267.91	14.27	254.51	13.52
75		69	348.28	17.94	328.19	16.80	308.09	15.68	288.00	14.59	267.91	13.52	254.51	12.82
80%		-13	-13	132.85	28.55	132.45	29.08	132.19	29.57	132.09	30.17	131.80	30.57	131.47
	-8	-9	156.27	32.12	155.80	32.60	155.49	33.04	155.37	33.62	155.03	33.97	154.65	35.44
	-3	-4	183.08	36.03	182.53	36.44	182.17	36.82	182.02	37.38	181.63	37.65	181.18	39.04
	2	1	201.49	38.87	201.08	39.17	200.62	39.46	200.29	39.95	200.00	40.13	199.75	40.78
	7	6	219.47	40.43	219.13	40.44	218.60	40.45	218.22	40.46	217.33	40.46	215.91	40.61
	12	10	239.90	40.01	239.57	40.01	239.21	40.02	238.59	40.03	229.32	40.04	224.81	40.04
	17	15	260.66	38.74	258.15	38.74	257.82	38.75	252.61	38.75	240.16	38.76	226.23	38.76
	22	20	275.04	37.20	271.08	37.08	262.92	36.95	253.67	36.83	237.74	36.71	226.23	36.63
	27	24	292.34	35.42	280.56	35.16	267.39	34.90	256.00	34.66	238.14	34.42	226.23	34.01
	32	29	296.60	33.33	283.93	32.96	270.22	32.59	256.00	32.23	238.14	30.43	226.23	29.03
	37	34	299.03	30.91	284.54	30.42	270.22	29.71	256.00	27.75	238.14	25.85	226.23	24.61
	42	38	299.03	28.91	284.54	28.02	270.22	26.15	256.00	24.33	238.14	22.56	226.23	21.41
	47	43	299.03	25.99	284.54	24.23	270.22	22.52	256.00	20.86	238.14	19.24	226.23	18.18
	52	47	299.03	23.82	284.54	22.24	270.22	20.69	256.00	19.18	238.14	17.71	226.23	16.76
	57	52	299.03	21.51	284.54	20.10	270.22	18.73	256.00	17.39	238.14	16.08	226.23	15.23
	62	56	299.03	19.91	284.54	18.63	270.22	17.37	256.00	16.15	238.14	14.95	226.23	14.17
	67	61	299.03	18.17	284.54	17.02	270.22	15.89	256.00	14.79	238.14	13.71	226.23	13.01
	72	66	299.03	16.67	284.54	15.62	270.22	14.60	256.00	13.61	238.14	12.63	226.23	11.99
	75	69	299.03	15.76	284.54	14.79	270.22	13.83	256.00	12.90	238.14	11.98	226.23	11.38

NOTE - Power Input = Compressor + Outdoor Fan Motor.  
MBH = 1000 BTUs per hour.

# HEATING CAPACITY - THREE MODULE - VRA312H4

Combination (%)	Outdoor Temperature (°F)		Indoor Temperature - °F Dry Bulb											
			61		64		67		70		73		75	
	Dry Bulb	Wet Bulb	Total Cap. MBH	Power Input kW	Total Cap. MBH	Power Input kW	Total Cap. MBH	Power Input kW	Total Cap. MBH	Power Input kW	Total Cap. MBH	Power Input kW	Total Cap. MBH	Power Input kW
70%	-13	-13	130.71	32.79	130.54	32.81	130.20	32.82	129.94	32.84	129.06	32.85	127.38	32.86
	-8	-9	153.73	34.87	153.53	34.88	153.14	34.89	152.84	34.90	151.79	34.92	149.79	34.93
	-3	-4	180.08	36.96	179.84	36.97	179.39	36.98	179.04	36.99	177.79	37.00	175.40	37.01
	2	1	198.59	38.81	198.33	38.82	198.00	38.83	195.73	38.84	192.04	38.85	189.21	38.85
	7	6	219.12	39.91	218.85	39.92	217.33	39.93	212.14	39.93	204.70	39.94	197.95	39.95
	12	10	239.62	40.02	237.08	40.03	231.50	40.04	222.71	40.04	208.37	40.05	197.95	40.05
	17	15	253.44	38.75	245.40	38.75	235.77	38.76	224.00	38.76	208.37	38.77	197.95	38.77
	22	20	259.30	36.93	248.21	36.82	236.37	36.72	224.00	36.62	208.37	36.44	197.95	34.92
	27	24	261.11	34.86	248.66	34.65	236.37	34.44	224.00	33.72	208.37	31.67	197.95	30.34
	32	29	261.11	32.53	248.66	32.22	236.37	30.61	224.00	28.77	208.37	26.98	197.95	25.81
	37	34	261.11	29.38	248.66	27.67	236.37	26.00	224.00	24.38	208.37	22.80	197.95	21.77
	42	38	261.11	25.84	248.66	24.25	236.37	22.71	224.00	21.20	208.37	19.72	197.95	18.76
	47	43	261.11	22.24	248.66	20.79	236.37	19.37	224.00	17.98	208.37	16.63	197.95	15.75
	52	47	261.11	20.44	248.66	19.12	236.37	17.84	224.00	16.58	208.37	15.35	197.95	14.55
	57	52	261.11	18.50	248.66	17.33	236.37	16.19	224.00	15.07	208.37	13.98	197.95	13.26
	62	56	261.11	17.17	248.66	16.10	236.37	15.05	224.00	14.02	208.37	13.02	197.95	12.36
	67	61	261.11	15.71	248.66	14.74	236.37	13.80	224.00	12.87	208.37	11.97	197.95	11.38
72	66	261.11	14.44	248.66	13.57	236.37	12.71	224.00	11.87	208.37	11.05	197.95	10.51	
75	69	261.11	13.67	248.66	12.86	236.37	12.06	224.00	11.27	208.37	10.50	197.95	10.00	
60%	-13	-13	128.09	32.83	127.92	32.84	127.59	32.85	127.35	32.86	126.48	32.88	124.83	32.89
	-8	-9	145.17	34.90	143.49	34.91	141.67	34.92	139.92	34.93	137.77	34.94	135.24	34.95
	-3	-4	172.23	36.98	168.69	36.99	165.02	37.00	161.41	37.01	157.65	37.02	153.95	37.03
	2	1	195.96	38.83	190.37	38.84	184.68	38.85	179.04	38.85	172.45	38.86	165.46	38.87
	7	6	212.03	39.93	205.26	39.94	198.36	39.94	190.73	39.95	177.25	39.95	169.67	39.96
	12	10	218.00	40.04	210.47	40.04	201.22	40.05	192.00	40.06	178.60	40.06	169.67	40.06
	17	15	222.30	38.76	213.33	38.77	202.67	38.77	192.00	38.78	178.60	37.77	169.67	36.14
	22	20	225.73	36.67	215.79	36.58	205.00	36.00	192.00	34.08	178.60	32.21	169.67	30.84
	27	24	227.02	34.34	216.21	33.03	205.40	31.29	192.00	29.59	178.60	27.94	169.67	26.75
	32	29	227.02	29.73	216.21	28.17	205.40	26.64	192.00	25.16	178.60	23.71	169.67	22.68
	37	34	227.02	25.23	216.21	23.85	205.40	22.50	192.00	21.19	178.60	19.90	169.67	19.01
	42	38	227.02	21.98	216.21	20.70	205.40	19.45	192.00	18.22	178.60	17.03	169.67	16.22
	47	43	232.19	18.99	218.79	17.80	205.40	16.63	192.00	15.49	178.60	14.37	169.67	13.64
	52	47	232.19	17.23	218.79	16.17	205.40	15.12	192.00	14.10	178.60	13.10	169.67	12.45
	57	52	232.19	15.65	218.79	14.70	205.40	13.77	192.00	12.86	178.60	11.96	169.67	11.38
	62	56	232.19	14.56	218.79	13.69	205.40	12.83	192.00	11.99	178.60	11.17	169.67	10.63
	67	61	232.19	13.36	218.79	12.57	205.40	11.80	192.00	11.04	178.60	10.30	169.67	9.81
72	66	232.19	12.31	218.79	11.60	205.40	10.90	192.00	10.21	178.60	9.53	169.67	9.09	
75	69	232.19	11.68	218.79	11.01	205.40	10.36	192.00	9.71	178.60	9.08	169.67	8.66	
50%	-13	-13	125.53	32.86	125.37	32.87	125.04	32.88	124.80	32.89	123.91	32.90	118.77	32.91
	-8	-9	138.84	34.93	137.61	34.94	135.46	34.95	133.80	34.96	131.35	34.97	125.73	34.97
	-3	-4	159.08	37.01	156.58	37.02	152.23	37.03	148.87	37.04	143.85	37.04	136.66	37.05
	2	1	172.67	38.85	168.82	38.86	162.23	38.87	157.11	38.87	148.84	38.88	141.40	38.88
	7	6	180.57	39.95	175.48	39.95	166.76	39.96	160.00	39.96	148.84	39.97	141.40	39.18
	12	10	185.18	39.53	178.94	39.53	168.27	39.53	160.00	39.41	148.84	37.03	141.40	35.23
	17	15	190.84	38.91	182.33	38.37	169.75	36.38	160.00	33.99	148.84	31.85	141.40	30.06
	22	20	192.29	34.53	182.33	32.84	171.16	31.14	160.00	29.06	148.84	26.79	141.40	25.32
	27	24	193.49	29.78	182.33	28.40	171.16	26.80	160.00	25.05	148.84	23.13	141.40	21.89
	32	29	193.49	25.32	182.33	24.11	171.16	22.72	160.00	21.27	148.84	19.69	141.40	18.65
	37	34	193.49	21.33	182.33	20.26	171.16	19.03	160.00	17.86	148.84	16.56	141.40	15.71
	42	38	193.49	18.36	182.33	17.36	171.16	16.37	160.00	15.26	148.84	14.18	141.40	13.47
	47	43	193.49	15.67	182.33	14.73	171.16	13.81	160.00	12.91	148.84	12.02	141.40	11.44
	52	47	193.49	14.21	182.33	13.38	171.16	12.55	160.00	11.75	148.84	10.95	141.40	10.44
	57	52	193.49	12.96	182.33	12.21	171.16	11.47	160.00	10.75	148.84	10.04	141.40	9.58
	62	56	193.49	12.09	182.33	11.40	171.16	10.72	160.00	10.06	148.84	9.40	141.40	8.97
	67	61	193.49	11.13	182.33	10.50	171.16	9.89	160.00	9.29	148.84	8.70	141.40	8.31
72	66	193.49	10.29	182.33	9.72	171.16	9.16	160.00	8.62	148.84	8.08	141.40	7.72	
75	69	193.49	9.78	182.33	9.25	171.16	8.73	160.00	8.21	148.84	7.70	141.40	7.37	

NOTE - Power Input = Compressor + Outdoor Fan Motor.  
MBH = 1000 BTUs per hour.

## COOLING CAPACITY - THREE MODULE - VRA336H4

Combination (%)	Outdoor Temperature °F (Dry Bulb)	Indoor Temperature - °F (Dry Bulb / Wet Bulb)											
		67 / 57		71 / 60		75 / 63		80 / 67		85 / 71		90 / 75	
		Total Cap.	Power Input	Total Cap.	Power Input	Total Cap.	Power Input	Total Cap.	Power Input	Total Cap.	Power Input	Total Cap.	Power Input
		MBH	kW	MBH	kW	MBH	kW	MBH	kW	MBH	kW	MBH	kW
130%	25	269.74	11.64	313.59	13.75	357.61	15.95	416.41	19.03	449.89	20.10	460.66	19.36
	30	269.74	11.88	313.59	14.04	357.61	16.32	416.41	19.43	442.56	19.98	453.33	19.20
	35	269.74	12.16	313.59	14.40	357.61	16.74	416.41	19.93	435.38	19.84	446.15	19.04
	40	269.74	12.43	313.59	14.76	357.61	17.17	416.41	20.43	428.21	19.70	438.97	18.87
	45	269.74	12.77	313.59	15.14	357.61	17.60	409.74	20.37	421.03	19.57	431.79	18.65
	50	269.74	13.10	313.59	15.51	357.61	18.02	403.08	20.32	413.85	19.43	424.62	18.43
	55	269.74	13.40	313.59	15.90	357.61	18.51	395.64	20.18	406.79	19.36	417.95	18.96
	60	269.74	13.77	313.59	16.35	357.61	18.98	388.72	20.37	399.49	20.23	410.26	20.43
	65	269.74	14.29	313.59	17.21	357.09	20.40	376.41	21.90	387.56	22.56	398.72	22.73
	70	269.74	14.65	313.59	18.23	353.50	21.65	374.36	22.87	385.13	23.15	395.90	23.42
	75	269.74	16.10	313.59	20.01	348.72	23.24	367.18	24.31	377.95	24.59	388.72	24.87
	80	269.74	17.65	313.59	22.04	343.59	24.89	359.49	25.81	370.38	26.12	381.28	26.39
	85	269.74	19.32	313.59	24.10	338.80	26.59	352.31	27.25	363.33	27.61	374.36	27.92
	90	269.74	21.15	313.01	26.33	333.76	28.34	345.13	28.78	355.90	29.11	366.67	29.45
	95	269.74	23.09	308.97	28.00	327.52	29.86	338.46	30.20	348.72	30.58	350.77	30.64
	100	269.74	25.09	303.21	29.63	319.83	31.36	329.74	31.69	332.82	31.86	332.82	31.86
	105	269.74	27.60	297.69	31.55	311.11	33.03	315.21	33.19	315.21	33.27	315.21	33.27
	110	269.74	30.86	290.51	34.02	297.44	35.08	297.44	35.08	297.44	35.08	297.44	35.08
115	256.41	35.41	256.41	35.41	257.09	35.41	257.44	35.52	258.46	35.52	259.49	35.63	
118	220.51	32.28	220.51	32.28	221.10	32.28	221.39	32.38	222.28	32.38	223.16	32.48	
120%	25	249.23	10.64	290.00	12.58	330.26	14.56	383.59	17.37	435.09	19.97	453.48	19.92
	30	249.23	10.87	290.00	12.87	330.26	14.88	383.59	17.76	431.79	20.09	446.15	19.76
	35	249.23	11.10	290.00	13.18	330.26	15.25	383.59	18.21	426.92	20.18	438.97	19.59
	40	249.23	11.32	290.00	13.49	330.26	15.62	383.59	18.65	422.05	20.26	431.79	19.43
	45	249.23	11.66	290.00	13.82	330.26	16.02	383.59	19.09	414.36	20.12	424.62	19.26
	50	249.23	11.99	290.00	14.15	330.26	16.43	383.59	19.54	406.67	19.98	417.44	19.09
	55	249.23	12.27	290.00	14.54	330.26	16.86	383.59	20.09	400.00	19.83	410.00	19.18
	60	249.23	12.54	290.00	14.92	330.26	17.34	381.54	20.43	392.56	20.20	403.08	20.32
	65	249.23	13.07	290.00	15.55	330.26	18.28	372.56	21.34	381.28	22.29	390.77	22.62
	70	249.23	13.21	290.00	16.29	330.26	19.61	368.21	22.76	377.95	23.03	388.72	23.20
	75	249.23	14.43	290.00	17.85	330.26	21.57	361.03	24.20	370.77	24.48	381.54	24.76
	80	249.23	15.82	290.00	19.57	329.91	23.65	353.59	25.62	364.10	25.89	373.85	26.17
	85	249.23	17.26	290.00	21.43	327.18	25.51	346.67	27.09	356.41	27.39	366.67	27.70
	90	249.23	18.87	290.00	23.45	322.39	27.22	338.97	28.56	349.49	28.89	359.49	29.22
	95	249.23	20.54	290.00	25.62	317.26	28.94	332.31	30.08	342.05	30.36	350.77	30.64
	100	249.23	22.37	290.00	27.97	312.82	30.78	324.62	31.50	331.67	31.82	332.82	31.86
	105	249.23	24.57	288.46	30.59	307.24	32.85	314.53	33.16	315.21	33.27	315.21	33.27
	110	249.23	27.42	283.85	33.08	296.75	35.04	297.44	35.08	297.44	35.08	297.44	35.08
115	249.23	30.53	254.62	34.19	257.09	35.41	257.44	35.52	258.46	35.52	259.49	35.63	
118	220.51	28.63	220.51	31.39	221.10	32.28	221.39	32.38	222.28	32.38	223.16	32.48	
110%	25	228.72	9.70	265.64	11.40	302.56	13.18	351.79	15.67	401.03	18.25	445.57	20.47
	30	228.72	9.90	265.64	11.63	302.56	13.47	351.79	15.99	401.03	18.65	438.97	20.32
	35	228.72	10.13	265.64	11.94	302.56	13.80	351.79	16.43	401.03	19.12	431.28	20.20
	40	228.72	10.36	265.64	12.25	302.56	14.14	351.79	16.87	401.03	19.59	423.59	20.09
	45	228.72	10.60	265.64	12.52	302.56	14.49	351.79	17.26	398.46	19.84	416.41	19.93
	50	228.72	10.85	265.64	12.79	302.56	14.84	351.79	17.65	395.90	20.09	409.23	19.76
	55	228.72	11.13	265.64	13.17	302.56	15.25	351.79	18.18	391.79	20.26	402.56	19.62
	60	228.72	11.43	265.64	13.52	302.56	15.65	351.79	18.65	385.90	20.40	394.87	20.15
	65	228.72	11.88	265.64	14.02	302.56	16.33	351.79	19.95	374.23	21.62	383.33	22.51
	70	228.72	11.99	265.64	14.49	302.56	17.24	351.79	21.54	371.28	22.81	380.51	23.09
	75	228.72	12.88	265.64	15.79	302.56	18.98	351.79	23.76	364.10	24.26	373.33	24.53
	80	228.72	14.02	265.64	17.32	302.56	20.85	347.44	25.48	357.05	25.75	365.90	25.95
	85	228.72	15.32	265.64	18.94	302.56	22.85	340.51	26.92	349.74	27.20	358.97	27.48
	90	228.72	16.71	265.64	20.70	302.56	25.01	332.82	28.36	342.44	28.68	352.05	29.00
	95	228.72	18.21	265.64	22.54	302.56	27.31	326.15	29.86	335.38	30.14	344.62	30.42
	100	228.72	19.87	265.64	24.64	300.34	29.45	318.72	31.28	327.31	31.64	332.82	31.86
	105	228.72	21.76	265.64	27.11	295.95	31.54	311.45	33.08	315.04	33.25	315.21	33.27
	110	228.72	24.20	265.64	30.20	290.94	34.12	297.44	35.08	297.44	35.08	297.44	35.08
115	228.72	26.98	249.49	33.30	257.09	35.41	257.44	35.52	258.46	35.52	259.49	35.63	
118	220.51	27.57	220.51	31.20	221.10	32.28	221.39	32.38	222.28	32.38	223.16	32.48	

NOTE - Power Input = Compressor + Outdoor Fan Motor.  
MBH = 1000 BTUs per hour.

## COOLING CAPACITY - THREE MODULE - VRA336H4

Combination (%)	Outdoor Temperature °F (Dry Bulb)	Indoor Temperature - °F (Dry Bulb / Wet Bulb)											
		67 / 57		71 / 60		75 / 63		80 / 67		85 / 71		90 / 75	
		Total Cap.	Power Input	Total Cap.	Power Input	Total Cap.	Power Input	Total Cap.	Power Input	Total Cap.	Power Input	Total Cap.	Power Input
		MBH	kW	MBH	kW	MBH	kW	MBH	kW	MBH	kW	MBH	kW
100%	25	207.18	8.79	241.03	10.29	274.87	11.88	320.00	14.00	365.13	16.35	410.26	18.70
	30	207.18	8.97	241.03	10.52	274.87	12.12	320.00	14.32	365.13	16.71	410.26	19.09
	35	207.18	9.16	241.03	10.76	274.87	12.42	320.00	14.71	365.13	17.12	410.26	19.59
	40	207.18	9.36	241.03	11.00	274.87	12.73	320.00	15.10	365.13	17.54	410.26	20.09
	45	207.18	9.57	241.03	11.26	274.87	13.04	320.00	15.49	365.13	17.98	406.15	20.26
	50	207.18	9.79	241.03	11.52	274.87	13.36	320.00	15.87	365.13	18.43	402.05	20.43
	55	207.18	10.03	241.03	11.81	274.87	13.66	320.00	16.29	365.13	18.97	394.62	20.29
	60	207.18	10.29	241.03	12.15	274.87	14.06	320.00	16.71	365.13	19.45	387.69	20.37
	65	207.18	10.71	241.03	12.65	274.87	14.68	320.00	17.46	363.59	20.81	375.38	21.70
	70	207.18	10.82	241.03	12.78	274.87	15.06	320.00	18.65	360.00	22.20	373.33	22.87
	75	207.18	11.32	241.03	13.82	274.87	16.58	320.00	20.54	356.41	24.03	366.15	24.31
	80	207.18	12.43	241.03	15.16	274.87	18.18	320.00	22.62	350.26	25.56	358.46	25.81
	85	207.18	13.54	241.03	16.58	274.87	19.89	320.00	24.76	342.82	27.03	351.28	27.25
	90	207.18	14.74	241.03	18.09	274.87	21.74	320.00	27.14	335.77	28.46	344.10	28.70
	95	207.18	15.99	241.03	19.73	274.87	23.72	320.00	29.64	328.21	29.92	336.41	30.20
	100	207.18	17.40	241.03	21.46	274.87	25.90	312.56	31.06	321.54	31.39	328.97	31.69
	105	207.18	19.13	241.03	23.60	274.87	28.49	305.30	32.86	313.16	33.16	315.21	33.27
	110	207.18	21.20	241.03	26.28	274.87	31.75	297.44	35.08	297.44	35.08	297.44	35.08
115	207.18	23.53	241.03	29.28	255.73	34.01	257.44	35.52	258.46	35.52	259.49	35.63	
118	207.18	24.95	212.10	27.31	221.10	31.17	221.39	32.38	222.28	32.38	223.16	32.48	
90%	25	186.67	7.90	217.44	9.21	247.52	10.58	288.21	12.45	328.21	14.50	369.23	16.59
	30	186.67	8.06	217.44	9.40	247.52	10.83	288.21	12.77	328.21	14.82	369.23	16.98
	35	186.67	8.23	217.44	9.61	247.52	11.05	288.21	13.04	328.21	15.18	369.23	17.37
	40	186.67	8.40	217.44	9.83	247.52	11.28	288.21	13.32	328.21	15.54	369.23	17.76
	45	186.67	8.59	217.44	10.06	247.52	11.58	288.21	13.71	328.21	15.93	369.23	18.21
	50	186.67	8.78	217.44	10.29	247.52	11.89	288.21	14.10	328.21	16.32	369.23	18.65
	55	186.67	8.99	217.44	10.54	247.52	12.16	288.21	14.40	328.21	16.79	369.23	19.20
	60	186.67	9.20	217.44	10.79	247.52	12.47	288.21	14.82	328.21	17.21	369.23	19.70
	65	186.67	9.57	217.44	11.22	247.52	13.01	288.21	15.49	328.21	18.08	369.23	21.20
	70	186.67	9.67	217.44	11.41	247.52	13.17	288.21	16.10	328.21	19.43	365.13	22.76
	75	186.67	9.94	217.44	12.06	247.52	14.32	288.21	17.65	328.21	21.37	357.95	24.09
	80	186.67	10.85	217.44	13.14	247.52	15.64	288.21	19.34	328.21	23.48	350.51	25.59
	85	186.67	11.82	217.44	14.36	247.52	17.13	288.21	21.20	327.44	25.62	343.59	27.03
	90	186.67	12.88	217.44	15.67	247.52	18.71	288.21	23.23	324.36	27.63	336.67	28.47
	95	186.67	13.99	217.44	17.07	247.52	20.39	288.21	25.31	320.51	29.58	329.23	29.97
	100	186.67	15.13	217.44	18.54	247.52	22.23	288.21	27.67	314.36	31.15	321.79	31.39
	105	186.67	16.61	217.44	20.39	247.52	24.46	288.21	30.42	307.01	32.91	313.85	33.19
	110	186.67	18.43	217.44	22.67	247.52	27.20	288.21	33.97	297.44	35.08	297.44	35.08
115	186.67	20.43	217.44	25.17	247.52	32.53	257.44	35.52	258.46	35.52	259.49	35.63	
118	186.67	21.65	212.10	26.03	215.34	30.00	221.39	32.38	222.28	32.38	223.16	32.48	
80%	25	166.15	7.06	193.08	8.17	219.83	9.33	256.41	10.96	291.79	12.67	328.21	14.45
	30	166.15	7.19	193.08	8.33	219.83	9.53	256.41	11.21	291.79	12.99	328.21	14.76
	35	166.15	7.34	193.08	8.52	219.83	9.74	256.41	11.49	291.79	13.29	328.21	15.15
	40	166.15	7.48	193.08	8.70	219.83	9.95	256.41	11.77	291.79	13.60	328.21	15.54
	45	166.15	7.64	193.08	8.90	219.83	10.19	256.41	12.04	291.79	13.93	328.21	15.93
	50	166.15	7.80	193.08	9.09	219.83	10.43	256.41	12.32	291.79	14.26	328.21	16.32
	55	166.15	7.98	193.08	9.31	219.83	10.69	256.41	12.60	291.79	14.67	328.21	16.73
	60	166.15	8.16	193.08	9.53	219.83	10.95	256.41	12.93	291.79	15.04	328.21	17.21
	65	166.15	8.47	193.08	9.91	219.83	11.38	256.41	13.52	291.79	15.71	328.21	18.09
	70	166.15	8.57	193.08	10.03	219.83	11.57	256.41	13.65	291.79	16.37	328.21	19.32
	75	166.15	8.78	193.08	10.41	219.83	12.24	256.41	14.99	291.79	17.98	328.21	21.31
	80	166.15	9.42	193.08	11.35	219.83	13.41	256.41	16.40	291.79	19.75	328.21	23.42
	85	166.15	10.24	193.08	12.38	219.83	14.62	256.41	17.93	291.79	21.65	328.21	25.70
	90	166.15	11.14	193.08	13.44	219.83	15.93	256.41	19.54	291.79	23.67	327.44	28.06
	95	166.15	12.10	193.08	14.60	219.83	17.35	256.41	21.31	291.79	25.81	321.03	29.64
	100	166.15	13.07	193.08	15.88	219.83	18.85	256.41	23.28	291.79	28.21	314.36	31.14
	105	166.15	14.25	193.08	17.35	219.83	20.69	256.41	25.57	291.79	31.08	307.01	32.86
	110	166.15	15.87	193.08	19.29	219.83	23.02	256.41	28.53	288.72	34.02	297.44	35.08
115	166.15	17.54	193.08	21.37	219.83	25.53	256.41	31.75	258.46	33.06	259.49	35.63	
118	166.15	18.59	193.08	22.65	215.34	26.51	221.39	29.06	222.28	30.62	223.16	32.48	

NOTE - Power Input = Compressor + Outdoor Fan Motor.  
MBH = 1000 BTUs per hour.



## COOLING CAPACITY - THREE MODULE - VRA336H4

Combination (%)	Outdoor Temperature °F (Dry Bulb)	Indoor Temperature - °F (Dry Bulb / Wet Bulb)											
		67 / 57		71 / 60		75 / 63		80 / 67		85 / 71		90 / 75	
		Total Cap.	Power Input	Total Cap.	Power Input	Total Cap.	Power Input	Total Cap.	Power Input	Total Cap.	Power Input	Total Cap.	Power Input
		MBH	kW	MBH	kW	MBH	kW	MBH	kW	MBH	kW	MBH	kW
70%	25	145.64	6.26	168.72	7.19	192.14	8.15	223.59	9.50	255.38	10.93	287.18	12.42
	30	145.64	6.37	168.72	7.32	192.14	8.31	223.59	9.70	255.38	11.17	287.18	12.66
	35	145.64	6.49	168.72	7.47	192.14	8.49	223.59	9.92	255.38	11.44	287.18	12.99
	40	145.64	6.62	168.72	7.62	192.14	8.67	223.59	10.14	255.38	11.71	287.18	13.32
	45	145.64	6.75	168.72	7.78	192.14	8.86	223.59	10.38	255.38	11.99	287.18	13.65
	50	145.64	6.88	168.72	7.95	192.14	9.06	223.59	10.62	255.38	12.27	287.18	13.99
	55	145.64	7.02	168.72	8.13	192.14	9.27	223.59	10.89	255.38	12.60	287.18	14.38
	60	145.64	7.18	168.72	8.32	192.14	9.50	223.59	11.18	255.38	12.91	287.18	14.71
	65	145.64	7.43	168.72	8.63	192.14	9.88	223.59	11.70	255.38	13.46	287.18	15.38
	70	145.64	7.50	168.72	8.72	192.14	9.98	223.59	11.77	255.38	13.65	287.18	15.99
	75	145.64	7.69	168.72	8.95	192.14	10.35	223.59	12.54	255.38	14.93	287.18	17.54
	80	145.64	8.08	168.72	9.63	192.14	11.28	223.59	13.68	255.38	16.39	287.18	19.23
	85	145.64	8.78	168.72	10.48	192.14	12.27	223.59	14.93	255.38	17.90	287.18	21.09
	90	145.64	9.51	168.72	11.39	192.14	13.39	223.59	16.26	255.38	19.54	287.18	23.03
	95	145.64	10.29	168.72	12.31	192.14	14.54	223.59	17.76	255.38	21.26	287.18	25.20
	100	145.64	11.13	168.72	13.36	192.14	15.76	223.59	19.32	255.38	23.22	287.18	27.48
	105	145.64	12.17	168.72	14.62	192.14	17.26	223.59	21.20	255.38	25.50	287.18	29.29
	110	145.64	13.43	168.72	16.18	192.14	19.17	223.59	23.53	255.38	28.47	287.18	30.70
115	145.64	14.88	168.72	17.96	192.14	21.28	223.59	26.20	252.82	29.49	259.49	30.83	
118	145.64	15.77	168.72	19.03	192.14	22.55	201.23	24.99	222.28	27.45	223.16	29.61	
60%	25	124.10	5.50	144.87	6.25	164.79	7.03	191.79	8.11	218.97	9.28	246.15	10.49
	30	124.10	5.58	144.87	6.36	164.79	7.16	191.79	8.28	218.97	9.47	246.15	10.71
	35	124.10	5.68	144.87	6.48	164.79	7.30	191.79	8.46	218.97	9.69	246.15	10.96
	40	124.10	5.78	144.87	6.60	164.79	7.45	191.79	8.64	218.97	9.90	246.15	11.21
	45	124.10	5.89	144.87	6.73	164.79	7.61	191.79	8.83	218.97	10.14	246.15	11.49
	50	124.10	6.01	144.87	6.86	164.79	7.76	191.79	9.03	218.97	10.37	246.15	11.77
	55	124.10	6.12	144.87	7.01	164.79	7.94	191.79	9.24	218.97	10.62	246.15	12.04
	60	124.10	6.24	144.87	7.16	164.79	8.12	191.79	9.46	218.97	10.87	246.15	12.38
	65	124.10	6.44	144.87	7.41	164.79	8.42	191.79	9.84	218.97	11.35	246.15	12.96
	70	124.10	6.51	144.87	7.49	164.79	8.51	191.79	9.95	218.97	11.48	246.15	13.10
	75	124.10	6.66	144.87	7.68	164.79	8.73	191.79	10.28	218.97	12.16	246.15	14.21
	80	124.10	6.89	144.87	8.07	164.79	9.35	191.79	11.21	218.97	13.28	246.15	15.49
	85	124.10	7.44	144.87	8.76	164.79	10.17	191.79	12.21	218.97	14.51	246.15	16.93
	90	124.10	8.04	144.87	9.49	164.79	11.04	191.79	13.32	218.97	15.83	246.15	18.54
	95	124.10	8.68	144.87	10.27	164.79	11.96	191.79	14.43	218.97	17.15	246.15	20.20
	100	124.10	9.37	144.87	11.13	164.79	13.01	191.79	15.68	218.97	18.75	246.15	22.01
	105	124.10	10.19	144.87	12.10	164.79	14.18	191.79	17.17	218.97	20.56	246.15	24.13
	110	124.10	11.21	144.87	13.38	164.79	15.73	191.79	19.09	218.97	22.87	246.15	26.86
115	124.10	12.43	144.87	14.85	164.79	17.43	191.79	21.20	218.97	25.37	246.15	29.97	
118	124.10	13.18	144.87	15.74	164.79	18.47	191.79	22.48	201.46	24.74	223.16	28.80	
50%	25	102.56	4.73	121.03	5.31	137.44	5.91	160.00	6.73	182.56	7.62	205.13	8.56
	30	102.56	4.80	121.03	5.40	137.44	6.00	160.00	6.86	182.56	7.78	205.13	8.77
	35	102.56	4.87	121.03	5.49	137.44	6.12	160.00	7.00	182.56	7.94	205.13	8.94
	40	102.56	4.95	121.03	5.58	137.44	6.23	160.00	7.14	182.56	8.09	205.13	9.10
	45	102.56	5.04	121.03	5.68	137.44	6.35	160.00	7.28	182.56	8.28	205.13	9.32
	50	102.56	5.13	121.03	5.78	137.44	6.47	160.00	7.43	182.56	8.47	205.13	9.55
	55	102.56	5.21	121.03	5.89	137.44	6.60	160.00	7.58	182.56	8.64	205.13	9.71
	60	102.56	5.31	121.03	6.01	137.44	6.74	160.00	7.74	182.56	8.84	205.13	10.05
	65	102.56	5.46	121.03	6.20	137.44	6.97	160.00	7.98	182.56	9.24	205.13	10.55
	70	102.56	5.51	121.03	6.26	137.44	7.04	160.00	8.13	182.56	9.30	205.13	10.21
	75	102.56	5.63	121.03	6.40	137.44	7.12	160.00	8.02	182.56	9.38	205.13	10.88
	80	102.56	5.69	121.03	6.52	137.44	7.42	160.00	8.74	182.56	10.17	205.13	11.74
	85	102.56	6.10	121.03	7.04	137.44	8.08	160.00	9.49	182.56	11.13	205.13	12.77
	90	102.56	6.57	121.03	7.59	137.44	8.70	160.00	10.38	182.56	12.13	205.13	14.04
	95	102.56	7.07	121.03	8.23	137.44	9.38	160.00	11.10	182.56	13.04	205.13	15.21
	100	102.56	7.61	121.03	8.90	137.44	10.25	160.00	12.04	182.56	14.28	205.13	16.54
	105	102.56	8.21	121.03	9.57	137.44	11.11	160.00	13.14	182.56	15.62	205.13	17.95
	110	102.56	8.99	121.03	10.57	137.44	12.29	160.00	14.65	182.56	17.26	205.13	19.98
115	102.56	9.99	121.03	11.74	137.44	13.58	160.00	16.21	182.56	17.87	205.13	24.31	
118	102.56	10.59	121.03	12.44	137.44	14.40	160.00	17.18	182.56	18.95	205.13	25.77	

NOTE - Power Input = Compressor + Outdoor Fan Motor.  
MBH = 1000 BTUs per hour.

# HEATING CAPACITY - THREE MODULE - VRA336H4

Combination (%)	Outdoor Temperature (°F)		Indoor Temperature - °F Dry Bulb											
			61		64		67		70		73		75	
	Dry Bulb	Wet Bulb	Total Cap. MBH	Power Input kW	Total Cap. MBH	Power Input kW	Total Cap. MBH	Power Input kW	Total Cap. MBH	Power Input kW	Total Cap. MBH	Power Input kW	Total Cap. MBH	Power Input kW
130%	-13	-13	146.34	20.58	145.74	21.45	145.47	22.15	145.11	22.93	144.58	23.65	144.48	24.11
	-8	-9	170.54	23.69	169.84	24.50	169.52	25.16	169.11	25.88	168.49	26.53	168.37	26.94
	-3	-4	199.59	27.48	198.78	28.19	198.40	28.81	197.91	29.45	197.19	29.99	197.04	30.35
	2	1	219.76	30.75	218.91	31.32	218.18	31.84	217.46	32.33	217.08	32.71	216.66	33.00
	7	6	239.72	33.83	238.85	34.26	238.01	34.63	237.64	34.96	236.87	35.22	236.38	35.39
	12	10	260.13	36.75	259.24	36.99	258.32	37.17	257.91	37.30	257.18	37.43	256.62	37.50
	17	15	284.78	38.32	283.86	38.33	283.42	38.34	282.31	38.35	281.74	38.36	280.98	38.37
	22	20	297.32	37.50	296.41	37.51	295.98	37.52	294.80	37.53	294.33	37.54	293.59	37.55
	27	24	316.25	36.61	315.38	36.62	314.62	36.63	314.16	36.63	313.08	36.64	312.30	36.65
	32	29	333.11	34.78	332.29	34.79	331.53	34.80	330.73	34.80	330.00	34.81	329.27	34.81
	37	34	352.91	33.55	352.23	33.55	351.40	33.56	350.64	33.57	350.02	33.57	349.72	33.58
	42	38	384.03	32.31	383.47	32.31	382.54	32.32	372.97	32.32	372.12	32.33	371.51	31.88
	47	43	405.70	30.69	396.50	30.70	387.30	30.70	378.11	30.71	371.56	30.71	367.99	30.28
	52	47	421.60	29.80	412.40	29.80	403.20	29.81	394.01	29.81	387.58	29.60	378.68	29.18
	57	52	441.47	28.92	432.28	28.92	423.08	28.93	413.88	28.93	400.77	28.52	387.43	27.89
	62	56	457.37	28.40	448.18	28.01	438.98	28.01	429.78	28.01	407.86	27.30	388.31	26.15
	67	61	470.63	27.71	461.56	27.33	452.49	26.95	437.18	26.95	408.74	25.48	388.31	24.33
	72	66	483.32	27.29	474.38	26.69	465.44	26.30	439.40	25.61	408.74	23.87	388.31	22.50
75	69	494.91	27.06	485.97	26.27	477.02	25.68	440.73	24.36	408.74	22.28	388.31	21.02	
120%	-13	-13	145.51	22.09	145.37	22.61	144.84	23.24	144.54	23.89	144.06	24.53	143.72	24.92
	-8	-9	169.57	25.07	169.41	25.57	168.79	26.15	168.44	26.78	167.89	27.34	167.49	27.70
	-3	-4	198.45	28.67	198.27	29.16	197.54	29.67	197.13	30.26	196.49	30.72	196.02	31.04
	2	1	218.59	31.65	218.05	32.08	217.18	32.47	216.75	32.99	215.95	33.31	215.53	33.56
	7	6	238.47	34.50	237.85	34.77	236.92	35.05	236.47	35.47	235.93	35.65	235.22	35.82
	12	10	258.84	37.14	258.14	37.25	257.61	37.36	256.72	37.60	256.21	37.68	255.43	37.75
	17	15	283.55	38.34	282.62	38.34	282.18	38.35	280.98	38.36	280.82	38.37	280.69	38.38
	22	20	296.11	37.52	295.20	37.52	294.77	37.53	293.59	37.54	293.43	37.55	293.30	37.55
	27	24	314.39	36.62	314.22	36.63	313.70	36.63	313.24	36.64	312.07	36.65	311.61	36.65
	32	29	331.65	34.79	330.96	34.80	330.49	34.80	329.82	34.81	329.15	34.82	328.90	34.82
	37	34	344.38	33.10	343.71	33.10	343.19	33.11	343.04	33.12	342.54	33.12	341.35	33.12
	42	38	368.90	31.44	363.16	31.44	362.59	31.45	362.41	31.45	353.57	31.46	350.06	31.46
	47	43	397.18	29.90	389.78	29.81	382.33	29.64	373.71	29.64	365.09	29.64	355.54	29.65
	52	47	413.40	29.32	404.82	29.07	396.25	28.99	387.68	28.91	373.96	28.92	358.44	28.61
	57	52	426.90	28.58	415.51	28.43	407.13	28.28	398.74	28.13	377.30	27.42	358.44	25.96
	62	56	442.67	28.11	429.98	27.96	417.46	27.82	405.36	27.36	377.30	25.35	358.44	23.95
	67	61	457.90	27.67	443.83	27.45	430.60	27.03	405.60	25.24	377.30	23.40	358.44	22.00
	72	66	471.40	27.29	459.49	26.84	432.64	25.23	405.60	23.32	377.30	21.47	358.44	20.26
75	69	482.99	27.06	471.01	26.33	434.38	23.92	405.60	22.08	377.30	20.35	358.44	19.22	
110%	-13	-13	144.69	23.04	144.57	23.74	144.05	24.25	143.72	24.86	143.42	25.28	142.93	25.57
	-8	-9	168.62	25.98	168.48	26.61	167.87	27.09	167.49	27.63	167.13	28.04	166.56	28.28
	-3	-4	197.35	29.53	197.18	30.07	196.46	30.50	196.02	30.96	195.60	31.35	194.94	31.53
	2	1	217.37	32.39	216.90	32.78	216.36	33.13	215.58	33.48	215.27	33.81	214.91	33.92
	7	6	237.21	35.00	236.66	35.28	236.13	35.52	235.31	35.76	234.97	35.97	234.67	36.01
	12	10	257.56	37.31	256.93	37.52	256.42	37.64	256.17	37.71	255.25	37.85	254.96	37.80
	17	15	282.22	38.35	282.00	38.36	281.23	38.37	280.69	38.37	279.59	38.38	279.46	38.39
	22	20	294.80	37.53	293.89	37.54	293.53	37.54	293.30	37.55	292.22	37.56	292.09	37.42
	27	24	314.16	36.63	313.64	36.64	312.69	36.64	311.61	36.65	311.15	36.66	309.64	36.39
	32	29	330.73	34.80	330.46	34.81	329.64	34.81	328.90	34.82	327.38	34.82	322.78	34.43
	37	34	345.59	32.81	343.16	32.81	342.75	32.82	341.26	32.82	336.09	32.83	328.57	32.33
	42	38	359.92	31.08	357.27	31.08	356.25	31.08	352.93	31.09	339.77	31.09	328.57	30.49
	47	43	380.18	29.05	373.54	29.05	370.48	29.05	359.79	29.06	345.86	29.06	328.57	28.09
	52	47	393.55	28.74	386.96	28.75	378.99	28.75	366.11	28.75	345.86	27.42	328.57	25.82
	57	52	411.23	28.36	403.56	28.37	393.08	28.37	371.80	27.03	345.86	24.84	328.57	23.41
	62	56	425.68	28.06	416.00	28.06	397.74	27.14	371.80	25.07	345.86	23.06	328.57	21.75
	67	61	442.68	27.68	423.68	26.72	397.74	24.81	371.80	22.95	345.86	21.13	328.57	19.95
	72	66	449.62	26.31	423.68	24.53	397.74	22.80	371.80	21.11	345.86	19.47	328.57	18.40
75	69	455.29	25.49	423.68	23.22	397.74	21.60	371.80	20.02	345.86	18.48	328.57	17.47	

NOTE - Power Input = Compressor + Outdoor Fan Motor.  
MBH = 1000 BTUs per hour.

# HEATING CAPACITY - THREE MODULE - VRA336H4

Combination (%)	Outdoor Temperature (°F)		Indoor Temperature - °F Dry Bulb											
			61		64		67		70		73		75	
	Dry Bulb	Wet Bulb	Total Cap. MBH	Power Input kW	Total Cap. MBH	Power Input kW	Total Cap. MBH	Power Input kW	Total Cap. MBH	Power Input kW	Total Cap. MBH	Power Input kW	Total Cap. MBH	Power Input kW
100%	-13	-13	144.26	24.27	143.85	24.75	143.66	25.18	142.93	25.69	142.84	26.45	142.77	27.40
	-8	-9	168.11	27.10	167.64	27.53	167.41	27.92	166.56	28.41	166.46	29.15	166.38	30.20
	-3	-4	196.75	30.52	196.20	30.87	195.93	31.20	194.94	31.67	194.81	32.39	194.72	33.55
	2	1	216.25	33.15	215.71	33.41	215.48	33.64	214.91	34.07	214.29	34.73	214.23	35.97
	7	6	236.38	35.54	235.51	35.71	235.16	35.87	234.67	36.23	233.93	36.82	233.87	38.14
	12	10	256.62	37.63	256.27	37.70	255.61	37.78	254.96	38.02	254.59	38.55	254.05	39.55
	17	15	280.88	38.36	280.74	38.37	279.93	38.38	279.46	38.39	278.98	38.92	278.22	39.45
	22	20	293.49	37.54	293.35	37.55	292.56	37.55	292.09	37.56	290.51	37.73	285.35	37.76
	27	24	312.30	36.64	311.78	36.65	311.45	36.65	310.68	36.66	305.46	35.99	294.45	36.04
	32	29	329.27	35.53	327.02	35.29	326.09	34.82	324.23	34.82	312.18	33.86	298.70	33.24
	37	34	343.65	34.16	340.21	33.94	338.12	33.28	331.86	32.82	314.42	31.59	298.70	30.79
	42	38	359.56	32.98	356.27	32.36	348.52	31.53	334.90	31.09	314.42	29.42	298.70	28.15
	<b>47</b>	<b>43</b>	<b>374.01</b>	<b>31.50</b>	<b>369.01</b>	<b>30.92</b>	<b>355.30</b>	<b>30.05</b>	<b>338.00</b>	<b>29.05</b>	314.42	26.90	298.70	25.34
	52	47	387.88	30.53	375.69	29.74	360.41	28.58	338.00	27.07	314.42	25.02	298.70	23.46
	57	52	401.35	29.43	384.93	28.15	361.58	26.53	338.00	24.53	314.42	22.58	298.70	21.31
	62	56	407.86	27.94	385.16	26.13	361.58	24.27	338.00	22.46	314.42	20.70	298.70	19.56
	67	61	408.74	25.61	385.16	23.90	361.58	22.23	338.00	20.59	314.42	19.01	298.70	17.97
	72	66	408.74	23.53	385.16	21.98	361.58	20.46	338.00	18.98	314.42	17.54	298.70	16.60
	75	69	408.74	22.28	385.16	20.83	361.58	19.40	338.00	18.02	314.42	16.66	298.70	15.78
	90%	-13	-13	141.94	26.70	141.39	27.22	141.16	27.70	141.08	28.26	140.37	28.70	140.31
-8		-9	165.40	29.82	164.77	30.28	164.50	30.71	164.40	31.25	163.58	31.63	163.51	33.22
-3		-4	190.88	33.57	190.15	33.96	189.83	34.32	189.72	34.84	188.78	35.15	188.69	36.40
2		1	209.68	36.47	209.25	36.75	208.73	37.00	208.46	37.48	207.75	37.69	207.41	38.51
7		6	226.52	39.16	226.15	39.17	225.59	39.18	225.28	39.19	224.61	39.20	224.19	39.20
12		10	246.02	39.50	245.70	39.51	245.10	39.52	244.76	39.53	244.16	39.54	243.63	39.54
17		15	271.60	39.14	271.46	39.15	271.29	39.16	270.21	39.16	267.59	39.17	265.14	39.18
22		20	278.41	37.55	278.27	37.56	276.66	37.38	275.36	37.09	272.47	36.80	264.97	36.61
27		24	300.94	36.65	294.38	36.66	291.57	36.30	289.37	35.71	278.96	35.14	268.83	34.77
32		29	321.05	35.04	313.15	34.82	305.99	34.30	299.88	33.45	282.98	32.62	268.83	32.09
37		34	337.50	33.12	328.44	32.83	317.56	32.16	304.20	31.07	282.98	29.63	268.83	28.38
42		38	351.56	31.37	337.42	31.09	321.94	30.29	304.20	28.68	282.98	26.67	268.83	25.37
47		43	358.56	29.84	341.59	29.06	325.42	27.77	304.20	25.66	282.98	23.60	268.83	22.27
52		47	363.29	28.75	346.65	27.50	325.42	25.53	304.20	23.62	282.98	21.76	268.83	20.54
57		52	367.87	26.70	346.65	24.90	325.42	23.15	304.20	21.45	282.98	19.79	268.83	18.71
62		56	367.87	24.76	346.65	23.12	325.42	21.52	304.20	19.95	282.98	18.43	268.83	17.44
67		61	367.87	22.67	346.65	21.19	325.42	19.74	304.20	18.33	282.98	16.96	268.83	16.06
72		66	367.87	20.86	346.65	19.52	325.42	18.21	304.20	16.93	282.98	15.68	268.83	14.86
75		69	367.87	19.78	346.65	18.52	325.42	17.29	304.20	16.09	282.98	14.91	268.83	14.14
80%		-13	-13	140.09	29.36	139.55	29.94	139.30	30.47	139.25	31.09	138.96	31.57	138.49
	-8	-9	163.24	32.80	162.61	33.31	162.32	33.78	162.26	34.38	161.92	34.80	161.38	36.08
	-3	-4	188.36	36.93	187.64	37.36	187.31	37.75	187.23	38.32	186.84	38.67	186.22	39.60
	2	1	206.81	39.30	206.38	39.60	205.86	39.87	205.59	40.39	205.35	40.61	205.03	41.19
	7	6	224.78	40.73	224.43	40.74	223.84	40.75	223.52	40.76	223.00	40.77	222.14	41.05
	12	10	244.44	40.56	244.14	40.57	243.92	40.58	243.14	40.59	238.51	40.59	236.16	40.60
	17	15	271.17	39.53	266.62	39.53	266.28	39.54	263.72	39.55	255.52	39.55	238.96	39.56
	22	20	284.06	37.76	277.87	37.50	271.02	37.24	265.80	36.99	250.75	36.75	238.96	36.59
	27	24	302.44	36.34	292.65	35.82	279.84	35.31	270.40	34.81	251.53	34.33	238.96	33.88
	32	29	310.84	34.37	299.29	33.61	285.42	32.87	270.40	32.15	251.53	30.72	238.96	29.67
	37	34	315.65	32.24	300.49	31.27	285.42	30.20	270.40	28.52	251.53	26.89	238.96	25.82
	42	38	315.65	30.39	300.49	29.06	285.42	27.26	270.40	25.51	251.53	23.81	238.96	22.70
	47	43	315.65	27.93	300.49	26.04	285.42	24.20	270.40	22.41	251.53	20.67	238.96	19.54
	52	47	315.65	25.67	300.49	23.97	285.42	22.30	270.40	20.68	251.53	19.10	238.96	18.06
	57	52	315.65	23.28	300.49	21.76	285.42	20.27	270.40	18.83	251.53	17.41	238.96	16.49
	62	56	315.65	21.63	300.49	20.24	285.42	18.88	270.40	17.55	251.53	16.25	238.96	15.40
	67	61	315.65	19.85	300.49	18.59	285.42	17.36	270.40	16.16	251.53	14.98	238.96	14.21
	72	66	315.65	18.31	300.49	17.16	285.42	16.05	270.40	14.95	251.53	13.88	238.96	13.18
	75	69	315.65	17.38	300.49	16.31	285.42	15.26	270.40	14.23	251.53	13.22	238.96	12.56

NOTE - Power Input = Compressor + Outdoor Fan Motor.  
 MBH = 1000 BTUs per hour.

# HEATING CAPACITY - THREE MODULE - VRA336H4

Combination (%)	Outdoor Temperature (°F)		Indoor Temperature - °F Dry Bulb											
			61		64		67		70		73		75	
	Dry Bulb	Wet Bulb	Total Cap. MBH	Power Input kW	Total Cap. MBH	Power Input kW	Total Cap. MBH	Power Input kW	Total Cap. MBH	Power Input kW	Total Cap. MBH	Power Input kW	Total Cap. MBH	Power Input kW
70%	-13	-13	138.29	33.12	138.20	33.14	137.73	33.16	137.46	33.17	137.02	33.19	136.19	33.20
	-8	-9	161.13	35.06	161.03	35.08	160.48	35.09	160.16	35.11	159.64	35.12	158.65	35.13
	-3	-4	185.90	37.41	185.78	37.42	185.16	37.43	184.79	37.44	184.17	37.45	182.99	37.46
	2	1	204.30	39.24	204.18	39.25	203.82	39.26	202.27	39.27	200.02	39.28	198.80	39.29
	7	6	223.44	40.48	223.31	40.49	222.40	40.50	219.36	40.51	213.88	40.51	209.09	40.52
	12	10	244.47	40.58	243.22	40.59	240.34	40.59	234.05	40.60	220.09	40.61	209.09	40.61
	17	15	260.47	39.54	255.99	39.55	248.41	39.55	236.60	39.56	220.09	39.56	209.09	39.57
	22	20	272.03	37.20	261.55	36.98	249.60	36.77	236.60	36.56	220.09	36.32	209.09	35.46
	27	24	275.59	35.22	262.44	34.79	249.60	34.37	236.60	33.69	220.09	32.36	209.09	31.49
	32	29	275.59	32.75	262.44	32.12	249.60	30.85	236.60	29.47	220.09	28.14	209.09	27.26
	37	34	275.59	29.92	262.44	28.45	249.60	27.02	236.60	25.63	220.09	24.27	209.09	23.38
	42	38	275.59	26.97	262.44	25.44	249.60	23.95	236.60	22.50	220.09	21.08	209.09	20.15
	47	43	275.59	23.90	262.44	22.34	249.60	20.82	236.60	19.33	220.09	17.88	209.09	16.93
	52	47	275.59	22.03	262.44	20.61	249.60	19.23	236.60	17.87	220.09	16.55	209.09	15.69
	57	52	275.59	20.03	262.44	18.77	249.60	17.53	236.60	16.32	220.09	15.13	209.09	14.36
	62	56	275.59	18.65	262.44	17.49	249.60	16.36	236.60	15.24	220.09	14.15	209.09	13.44
	67	61	275.59	17.16	262.44	16.11	249.60	15.08	236.60	14.07	220.09	13.08	209.09	12.44
72	66	275.59	15.86	262.44	14.91	249.60	13.97	236.60	13.05	220.09	12.15	209.09	11.56	
75	69	275.59	15.08	262.44	14.19	249.60	13.30	236.60	12.44	220.09	11.59	209.09	11.03	
60%	-13	-13	135.52	33.16	135.44	33.18	134.98	33.19	134.71	33.20	134.28	33.22	133.47	33.23
	-8	-9	151.98	35.10	150.30	35.11	148.31	35.12	146.47	35.14	144.50	35.15	142.92	35.16
	-3	-4	177.40	37.44	173.83	37.45	169.98	37.46	166.27	37.47	162.45	37.48	159.90	37.48
	2	1	202.52	39.27	196.81	39.27	190.87	39.28	185.05	39.29	178.63	39.30	174.00	39.30
	7	6	221.15	40.50	214.86	40.51	208.30	40.51	200.29	40.52	185.97	40.53	179.22	40.53
	12	10	228.72	40.60	222.32	40.60	212.54	40.61	202.80	40.61	188.65	40.62	179.22	40.62
	17	15	233.24	39.56	225.33	39.56	214.07	39.56	202.80	39.57	188.65	39.07	179.22	37.96
	22	20	237.25	36.67	227.54	36.49	216.16	36.07	202.80	34.98	188.65	33.91	179.22	32.91
	27	24	239.79	34.17	228.37	33.24	216.95	32.11	202.80	31.01	188.65	29.93	179.22	28.99
	32	29	239.79	30.19	228.37	29.02	216.95	27.88	202.80	26.77	188.65	25.69	179.22	24.80
	37	34	239.79	26.35	228.37	25.17	216.95	24.01	202.80	22.88	188.65	21.78	179.22	20.94
	42	38	239.79	23.25	228.37	22.02	216.95	20.81	202.80	19.63	188.65	18.48	179.22	17.67
	47	43	245.25	20.67	231.10	19.37	216.95	18.10	202.80	16.86	188.65	15.64	179.22	14.85
	52	47	245.25	18.58	231.10	17.43	216.95	16.30	202.80	15.20	188.65	14.12	179.22	13.42
	57	52	245.25	16.95	231.10	15.92	216.95	14.91	202.80	13.92	188.65	12.96	179.22	12.32
	62	56	245.25	15.82	231.10	14.88	216.95	13.95	202.80	13.04	188.65	12.15	179.22	11.56
	67	61	245.25	14.60	231.10	13.74	216.95	12.90	202.80	12.07	188.65	11.26	179.22	10.73
72	66	245.25	13.53	231.10	12.75	216.95	11.98	202.80	11.23	188.65	10.49	179.22	10.00	
75	69	245.25	12.89	231.10	12.15	216.95	11.43	202.80	10.72	188.65	10.02	179.22	9.56	
50%	-13	-13	132.81	33.20	132.73	33.21	132.28	33.23	132.01	33.24	131.50	33.25	125.45	33.26
	-8	-9	145.78	35.13	144.26	35.14	142.03	35.15	140.17	35.16	137.99	35.17	131.56	35.18
	-3	-4	165.91	37.47	162.69	37.47	158.35	37.48	154.61	37.49	150.10	37.50	142.60	37.51
	2	1	183.80	39.29	178.69	39.30	172.06	39.30	166.24	39.31	157.21	39.32	149.35	39.32
	7	6	192.19	40.52	185.39	40.53	176.68	40.53	169.00	40.54	157.21	40.54	149.35	40.15
	12	10	197.40	40.35	189.03	40.35	178.41	40.36	169.00	40.30	157.21	38.69	149.35	37.15
	17	15	203.07	39.83	192.58	39.36	180.10	38.07	169.00	35.92	157.21	34.19	149.35	32.25
	22	20	203.78	35.57	192.58	34.44	180.79	33.24	169.00	31.19	157.21	28.73	149.35	27.13
	27	24	204.37	31.13	192.58	30.23	180.79	28.86	169.00	27.12	157.21	25.02	149.35	23.65
	32	29	204.37	26.90	192.58	25.99	180.79	24.68	169.00	23.24	157.21	21.48	149.35	20.33
	37	34	204.37	23.01	192.58	22.08	180.79	20.84	169.00	19.66	157.21	18.21	149.35	17.26
	42	38	204.37	19.76	192.58	18.80	180.79	17.84	169.00	16.62	157.21	15.43	149.35	14.65
	47	43	204.37	17.11	192.58	16.09	180.79	15.08	169.00	14.10	157.21	13.13	149.35	12.50
	52	47	204.37	15.32	192.58	14.42	180.79	13.53	169.00	12.67	157.21	11.81	149.35	11.25
	57	52	204.37	14.03	192.58	13.22	180.79	12.43	169.00	11.65	157.21	10.88	149.35	10.37
	62	56	204.37	13.14	192.58	12.39	180.79	11.66	169.00	10.94	157.21	10.23	149.35	9.76
	67	61	204.37	12.16	192.58	11.48	180.79	10.82	169.00	10.16	157.21	9.51	149.35	9.09
72	66	204.37	11.31	192.58	10.69	180.79	10.08	169.00	9.48	157.21	8.89	149.35	8.50	
75	69	204.37	10.80	192.58	10.21	180.79	9.64	169.00	9.07	157.21	8.51	149.35	8.14	

NOTE - Power Input = Compressor + Outdoor Fan Motor.  
MBH = 1000 BTUs per hour.

## COOLING CAPACITY - THREE MODULE - VRA360H4

Combination (%)	Outdoor Temperature °F (Dry Bulb)	Indoor Temperature - °F (Dry Bulb / Wet Bulb)											
		67 / 57		71 / 60		75 / 63		80 / 67		85 / 71		90 / 75	
		Total Cap.	Power Input	Total Cap.	Power Input	Total Cap.	Power Input	Total Cap.	Power Input	Total Cap.	Power Input	Total Cap.	Power Input
		MBH	kW	MBH	kW	MBH	kW	MBH	kW	MBH	kW	MBH	kW
130%	25	289.53	13.03	336.83	15.41	384.13	17.93	447.20	21.39	484.06	22.63	495.52	21.63
	30	289.53	13.33	336.83	15.81	384.13	18.37	447.20	21.83	475.87	22.52	487.33	21.53
	35	289.53	13.64	336.83	16.18	384.13	18.80	447.20	22.36	467.98	22.33	480.17	21.37
	40	289.53	13.95	336.83	16.54	384.13	19.24	447.20	22.90	460.10	22.14	473.00	21.22
	45	289.53	14.30	336.83	16.97	384.13	19.74	440.03	22.82	452.58	21.94	465.12	20.99
	50	289.53	14.66	336.83	17.40	384.13	20.25	432.87	22.75	445.05	21.75	457.23	20.76
	55	289.53	15.04	336.83	17.90	384.13	20.81	425.70	22.56	437.17	21.72	448.63	21.26
	60	289.53	15.42	336.83	18.34	384.13	21.35	417.82	22.82	429.64	22.71	441.47	22.98
	65	289.53	16.03	336.83	19.26	384.13	22.91	404.56	24.69	416.74	25.30	428.93	25.61
	70	289.53	16.49	336.83	20.49	379.36	24.27	402.77	25.65	414.23	26.03	425.70	26.26
	75	289.53	18.01	336.83	22.48	374.58	26.10	394.17	27.33	405.63	27.71	418.53	27.94
	80	289.53	19.88	336.83	24.69	369.56	27.92	386.64	29.01	398.47	29.27	409.93	29.65
	85	289.53	21.68	336.83	27.06	364.07	29.87	378.40	30.61	390.58	30.99	402.77	31.37
	90	289.53	23.70	336.83	29.57	359.29	31.86	371.23	32.33	382.70	32.71	394.53	33.09
	95	289.53	25.80	331.46	31.41	351.17	33.48	362.63	33.89	374.82	34.35	376.97	34.50
	100	289.53	28.28	325.81	33.32	343.88	35.20	354.03	35.57	357.62	35.68	357.62	35.68
	105	289.53	31.09	319.63	35.48	334.44	37.15	337.79	37.30	339.22	37.30	339.22	37.30
	110	289.53	34.65	312.11	38.20	319.63	39.39	319.63	39.39	319.63	39.39	319.63	39.39
115	275.20	39.69	275.20	39.69	276.16	39.79	276.63	39.84	278.07	39.92	278.07	40.00	
118	236.67	36.18	236.67	36.18	237.49	36.28	237.90	36.32	239.14	36.39	239.14	36.46	
120%	25	268.03	11.95	311.03	14.12	354.99	16.36	412.80	19.41	467.78	22.43	487.33	22.35
	30	268.03	12.21	311.03	14.43	354.99	16.76	412.80	19.85	463.68	22.59	480.17	22.14
	35	268.03	12.50	311.03	14.77	354.99	17.13	412.80	20.38	458.31	22.63	472.28	21.98
	40	268.03	12.78	311.03	15.10	354.99	17.51	412.80	20.91	452.93	22.67	464.40	21.83
	45	268.03	13.09	311.03	15.52	354.99	18.01	412.80	21.45	445.05	22.52	456.52	21.68
	50	268.03	13.40	311.03	15.95	354.99	18.52	412.80	21.98	437.17	22.36	448.63	21.53
	55	268.03	13.75	311.03	16.32	354.99	18.93	412.80	22.56	430.00	22.21	441.11	21.56
	60	268.03	14.10	311.03	16.75	354.99	19.46	410.65	22.98	422.12	22.71	432.87	22.82
	65	268.03	14.69	311.03	17.50	354.99	20.57	399.90	24.08	408.86	24.92	421.40	25.46
	70	268.03	14.87	311.03	18.26	354.99	22.03	395.60	25.49	407.07	25.88	417.10	26.10
	75	268.03	16.18	311.03	20.07	354.99	24.22	388.43	27.17	398.47	27.40	409.93	27.78
	80	268.03	17.75	311.03	22.04	354.51	26.58	379.83	28.85	391.12	29.12	401.33	29.35
	85	268.03	19.46	311.03	24.10	351.17	28.70	372.67	30.46	383.06	30.76	394.17	31.07
	90	268.03	21.18	311.03	26.33	346.39	30.60	364.43	32.06	375.53	32.40	385.93	32.78
	95	268.03	23.05	311.03	28.78	340.66	32.52	356.90	33.74	367.65	34.12	376.97	34.50
	100	268.03	25.15	311.03	31.45	335.88	34.59	349.38	35.42	356.54	35.68	357.62	35.68
	105	268.03	27.63	310.32	34.35	330.14	36.89	337.31	37.25	339.22	37.30	339.22	37.30
	110	268.03	30.84	304.58	37.25	318.68	39.39	319.63	39.39	319.63	39.39	319.63	39.39
115	268.03	34.35	273.41	38.36	276.16	39.79	276.63	39.84	278.07	39.92	278.07	40.00	
118	236.67	32.15	236.67	35.19	237.49	36.28	237.90	36.32	239.14	36.39	239.14	36.46	
110%	25	245.10	10.88	284.88	12.82	324.89	14.85	378.40	17.58	431.43	20.48	478.73	22.96
	30	245.10	11.11	284.88	13.09	324.89	15.17	378.40	18.01	431.43	20.91	471.57	22.75
	35	245.10	11.37	284.88	13.40	324.89	15.53	378.40	18.47	431.43	21.45	463.68	22.59
	40	245.10	11.62	284.88	13.71	324.89	15.90	378.40	18.93	431.43	21.98	455.80	22.44
	45	245.10	11.90	284.88	14.06	324.89	16.27	378.40	19.39	428.57	22.25	447.92	22.29
	50	245.10	12.18	284.88	14.40	324.89	16.65	378.40	19.85	425.70	22.52	440.03	22.14
	55	245.10	12.49	284.88	14.74	324.89	17.12	378.40	20.42	421.58	22.77	432.51	21.98
	60	245.10	12.80	284.88	15.16	324.89	17.58	378.40	20.99	414.59	22.94	424.27	22.59
	65	245.10	13.33	284.88	15.90	324.89	18.46	378.40	22.36	402.23	24.20	412.80	25.15
	70	245.10	13.50	284.88	16.20	324.89	19.34	378.40	24.12	399.18	25.65	408.50	25.95
	75	245.10	14.41	284.88	17.69	324.89	21.32	378.40	26.56	391.30	27.25	401.33	27.48
	80	245.10	15.72	284.88	19.45	324.89	23.38	374.10	28.59	383.95	28.93	393.81	29.20
	85	245.10	17.25	284.88	21.26	324.89	25.60	366.22	30.23	375.89	30.53	385.57	30.84
	90	245.10	18.78	284.88	23.24	324.89	28.04	358.33	31.87	368.37	32.25	378.40	32.48
	95	245.10	20.46	284.88	25.38	324.89	30.68	349.73	33.43	360.48	33.81	369.80	34.20
	100	245.10	22.21	284.88	27.59	322.98	33.03	342.57	35.15	352.06	35.51	357.62	35.68
	105	245.10	24.37	284.88	30.40	317.56	35.40	335.40	37.20	338.98	37.30	339.22	37.30
	110	245.10	27.17	284.88	33.93	312.47	38.32	319.63	39.39	319.63	39.39	319.63	39.39
115	245.10	30.23	267.68	37.33	276.16	39.79	276.63	39.84	278.07	39.92	278.07	40.00	
118	236.67	30.94	236.67	34.98	237.49	36.28	237.90	36.32	239.14	36.39	239.14	36.46	

NOTE - Power Input = Compressor + Outdoor Fan Motor.  
MBH = 1000 BTUs per hour.



## COOLING CAPACITY - THREE MODULE - VRA360H4

Combination (%)	Outdoor Temperature °F (Dry Bulb)	Indoor Temperature - °F (Dry Bulb / Wet Bulb)											
		67 / 57		71 / 60		75 / 63		80 / 67		85 / 71		90 / 75	
		Total Cap.	Power Input	Total Cap.	Power Input	Total Cap.	Power Input	Total Cap.	Power Input	Total Cap.	Power Input	Total Cap.	Power Input
		MBH	kW	MBH	kW	MBH	kW	MBH	kW	MBH	kW	MBH	kW
100%	25	223.60	9.86	259.08	11.56	295.74	13.31	344.00	15.75	392.02	18.34	440.03	20.98
	30	223.60	10.06	259.08	11.80	295.74	13.61	344.00	16.18	392.02	18.78	440.03	21.53
	35	223.60	10.28	259.08	12.07	295.74	13.94	344.00	16.56	392.02	19.24	440.03	22.06
	40	223.60	10.50	259.08	12.35	295.74	14.26	344.00	16.95	392.02	19.69	440.03	22.59
	45	223.60	10.75	259.08	12.65	295.74	14.64	344.00	17.40	392.02	20.23	435.73	22.75
	50	223.60	11.01	259.08	12.95	295.74	15.02	344.00	17.86	392.02	20.76	431.43	22.90
	55	223.60	11.26	259.08	13.28	295.74	15.39	344.00	18.28	392.02	21.33	424.27	22.71
	60	223.60	11.55	259.08	13.63	295.74	15.76	344.00	18.78	392.02	21.91	416.38	22.82
	65	223.60	12.02	259.08	14.20	295.74	16.45	344.00	19.50	390.40	23.40	403.13	24.43
	70	223.60	12.15	259.08	14.37	295.74	16.95	344.00	20.91	387.00	24.88	401.33	25.65
	75	223.60	12.73	259.08	15.55	295.74	18.62	344.00	23.05	383.42	27.02	392.73	27.33
	80	223.60	13.91	259.08	17.02	295.74	20.42	344.00	25.38	376.25	28.66	385.57	28.89
	85	223.60	15.19	259.08	18.62	295.74	22.31	344.00	27.86	368.73	30.30	377.68	30.61
	90	223.60	16.53	259.08	20.33	295.74	24.40	344.00	30.46	360.66	31.94	369.80	32.21
	95	223.60	18.01	259.08	22.14	295.74	26.66	344.00	33.28	353.32	33.66	362.63	33.89
	100	223.60	19.58	259.08	24.13	295.74	29.06	336.48	34.96	345.25	35.23	353.32	35.57
	105	223.60	21.42	259.08	26.54	295.74	32.01	328.23	36.89	336.59	37.22	339.22	37.30
	110	223.60	23.82	259.08	29.54	295.74	35.72	319.63	39.39	319.63	39.39	319.63	39.39
115	223.60	26.41	259.08	32.82	274.72	38.22	276.63	39.84	278.07	39.92	278.07	40.00	
118	223.60	27.99	227.99	30.62	237.49	35.02	237.90	36.32	239.14	36.39	239.14	36.46	
90%	25	200.67	8.88	232.92	10.34	265.64	11.86	309.60	14.00	353.32	16.26	397.03	18.65
	30	200.67	9.05	232.92	10.56	265.64	12.13	309.60	14.32	353.32	16.64	397.03	19.08
	35	200.67	9.24	232.92	10.80	265.64	12.41	309.60	14.66	353.32	17.02	397.03	19.54
	40	200.67	9.43	232.92	11.04	265.64	12.69	309.60	15.01	353.32	17.40	397.03	20.00
	45	200.67	9.65	232.92	11.30	265.64	13.00	309.60	15.37	353.32	17.86	397.03	20.46
	50	200.67	9.86	232.92	11.56	265.64	13.31	309.60	15.72	353.32	18.32	397.03	20.91
	55	200.67	10.09	232.92	11.83	265.64	13.65	309.60	16.14	353.32	18.82	397.03	21.49
	60	200.67	10.33	232.92	12.14	265.64	14.01	309.60	16.64	353.32	19.35	397.03	22.06
	65	200.67	10.74	232.92	12.64	265.64	14.60	309.60	17.25	353.32	20.28	397.03	23.89
	70	200.67	10.85	232.92	12.78	265.64	14.75	309.60	18.01	353.32	21.75	392.73	25.49
	75	200.67	11.16	232.92	13.53	265.64	16.07	309.60	19.85	353.32	23.97	385.57	27.17
	80	200.67	12.18	232.92	14.81	265.64	17.57	309.60	21.75	353.32	26.37	376.97	28.74
	85	200.67	13.27	232.92	16.14	265.64	19.24	309.60	23.82	352.24	28.78	369.80	30.38
	90	200.67	14.43	232.92	17.58	265.64	21.02	309.60	26.10	349.02	30.95	361.56	32.02
	95	200.67	15.72	232.92	19.16	265.64	22.85	309.60	28.39	345.43	33.20	354.03	33.59
	100	200.67	17.06	232.92	20.81	265.64	24.96	309.60	31.07	337.55	34.92	346.51	35.30
	105	200.67	18.68	232.92	22.84	265.64	27.41	309.60	34.20	330.38	36.97	337.31	37.25
	110	200.67	20.61	232.92	25.42	265.64	30.58	309.60	38.17	319.63	39.39	319.63	39.39
115	200.67	22.90	232.92	28.28	265.64	36.59	276.63	39.84	278.07	39.92	278.07	40.00	
118	200.67	24.27	227.99	29.34	231.11	33.74	237.90	36.32	239.14	36.39	239.14	36.46	
80%	25	179.17	7.93	208.19	9.18	236.98	10.47	275.20	12.30	313.90	14.22	352.60	16.20
	30	179.17	8.08	208.19	9.36	236.98	10.69	275.20	12.56	313.90	14.55	352.60	16.64
	35	179.17	8.24	208.19	9.56	236.98	10.94	275.20	12.86	313.90	14.88	352.60	17.02
	40	179.17	8.41	208.19	9.76	236.98	11.18	275.20	13.16	313.90	15.22	352.60	17.40
	45	179.17	8.59	208.19	9.98	236.98	11.44	275.20	13.49	313.90	15.62	352.60	17.86
	50	179.17	8.76	208.19	10.21	236.98	11.70	275.20	13.82	313.90	16.03	352.60	18.32
	55	179.17	8.96	208.19	10.45	236.98	12.00	275.20	14.16	313.90	16.43	352.60	18.74
	60	179.17	9.17	208.19	10.70	236.98	12.30	275.20	14.53	313.90	16.91	352.60	19.31
	65	179.17	9.51	208.19	11.13	236.98	12.81	275.20	15.16	313.90	17.61	352.60	20.34
	70	179.17	9.62	208.19	11.25	236.98	12.96	275.20	15.27	313.90	18.40	352.60	21.68
	75	179.17	9.86	208.19	11.69	236.98	13.74	275.20	16.79	313.90	20.23	352.60	23.97
	80	179.17	10.58	208.19	12.73	236.98	15.04	275.20	18.36	313.90	22.17	352.60	26.30
	85	179.17	11.50	208.19	13.87	236.98	16.39	275.20	20.15	313.90	24.31	352.60	28.85
	90	179.17	12.48	208.19	15.07	236.98	17.90	275.20	22.06	313.90	26.56	351.53	31.52
	95	179.17	13.54	208.19	16.44	236.98	19.44	275.20	23.97	313.90	29.01	345.43	33.28
	100	179.17	14.67	208.19	17.78	236.98	21.18	275.20	26.10	313.90	31.72	337.91	35.00
	105	179.17	16.03	208.19	19.50	236.98	23.24	275.20	28.70	313.42	34.91	329.67	36.94
	110	179.17	17.71	208.19	21.60	236.98	25.85	275.20	32.06	310.32	37.07	319.63	39.39
115	179.17	19.69	208.19	24.04	236.98	28.75	275.20	35.72	278.07	37.27	278.07	40.00	
118	179.17	20.87	208.19	25.49	231.11	29.72	237.90	32.73	239.14	34.39	239.14	36.46	

NOTE - Power Input = Compressor + Outdoor Fan Motor.  
MBH = 1000 BTUs per hour.

## COOLING CAPACITY - THREE MODULE - VRA360H4

Combination (%)	Outdoor Temperature °F (Dry Bulb)	Indoor Temperature - °F (Dry Bulb / Wet Bulb)											
		67 / 57		71 / 60		75 / 63		80 / 67		85 / 71		90 / 75	
		Total Cap.	Power Input	Total Cap.	Power Input	Total Cap.	Power Input	Total Cap.	Power Input	Total Cap.	Power Input	Total Cap.	Power Input
		MBH	kW	MBH	kW	MBH	kW	MBH	kW	MBH	kW	MBH	kW
70%	25	156.23	7.03	182.03	8.07	206.88	9.15	240.80	10.67	274.48	12.27	308.17	13.94
	30	156.23	7.16	182.03	8.22	206.88	9.33	240.80	10.88	274.48	12.54	308.17	14.26
	35	156.23	7.29	182.03	8.39	206.88	9.53	240.80	11.14	274.48	12.83	308.17	14.60
	40	156.23	7.42	182.03	8.55	206.88	9.73	240.80	11.39	274.48	13.13	308.17	14.95
	45	156.23	7.57	182.03	8.74	206.88	9.95	240.80	11.66	274.48	13.46	308.17	15.33
	50	156.23	7.72	182.03	8.93	206.88	10.17	240.80	11.92	274.48	13.79	308.17	15.72
	55	156.23	7.88	182.03	9.12	206.88	10.41	240.80	12.23	274.48	14.13	308.17	16.11
	60	156.23	8.06	182.03	9.34	206.88	10.66	240.80	12.53	274.48	14.51	308.17	16.56
	65	156.23	8.35	182.03	9.70	206.88	11.08	240.80	13.04	274.48	15.09	308.17	17.37
	70	156.23	8.43	182.03	9.79	206.88	11.21	240.80	13.21	274.48	15.32	308.17	17.86
	75	156.23	8.64	182.03	10.05	206.88	11.62	240.80	14.04	274.48	16.72	308.17	19.69
	80	156.23	9.08	182.03	10.81	206.88	12.66	240.80	15.36	274.48	18.34	308.17	21.64
	85	156.23	9.86	182.03	11.76	206.88	13.80	240.80	16.79	274.48	20.04	308.17	23.74
	90	156.23	10.69	182.03	12.78	206.88	15.00	240.80	18.32	274.48	21.91	308.17	25.95
	95	156.23	11.56	182.03	13.85	206.88	16.27	240.80	19.85	274.48	23.89	308.17	28.24
	100	156.23	12.50	182.03	15.00	206.88	17.70	240.80	21.60	274.48	26.05	308.17	30.91
	105	156.23	13.64	182.03	16.42	206.88	19.42	240.80	23.76	274.48	28.65	308.17	32.08
	110	156.23	15.08	182.03	18.20	206.88	21.58	240.80	26.41	274.48	31.98	308.17	34.27
115	156.23	16.64	182.03	20.19	206.88	23.92	240.80	29.46	272.33	32.96	278.07	34.41	
118	156.23	17.64	182.03	21.40	206.88	25.35	216.72	28.11	239.14	30.76	239.14	32.32	
60%	25	133.87	6.18	156.02	7.01	177.73	7.88	206.40	9.11	235.07	10.41	263.73	11.78
	30	133.87	6.27	156.02	7.13	177.73	8.03	206.40	9.30	235.07	10.63	263.73	12.03
	35	133.87	6.38	156.02	7.27	177.73	8.20	206.40	9.50	235.07	10.87	263.73	12.31
	40	133.87	6.49	156.02	7.40	177.73	8.36	206.40	9.69	235.07	11.11	263.73	12.59
	45	133.87	6.61	156.02	7.55	177.73	8.54	206.40	9.92	235.07	11.38	263.73	12.90
	50	133.87	6.73	156.02	7.71	177.73	8.71	206.40	10.14	235.07	11.64	263.73	13.21
	55	133.87	6.87	156.02	7.87	177.73	8.91	206.40	10.37	235.07	11.93	263.73	13.55
	60	133.87	7.01	156.02	8.04	177.73	9.11	206.40	10.63	235.07	12.22	263.73	13.90
	65	133.87	7.25	156.02	8.33	177.73	9.46	206.40	11.05	235.07	12.73	263.73	14.48
	70	133.87	7.31	156.02	8.41	177.73	9.56	206.40	11.17	235.07	12.88	263.73	14.66
	75	133.87	7.48	156.02	8.61	177.73	9.80	206.40	11.54	235.07	13.63	263.73	15.88
	80	133.87	7.74	156.02	9.07	177.73	10.51	206.40	12.60	235.07	14.91	263.73	17.40
	85	133.87	8.35	156.02	9.84	177.73	11.42	206.40	13.73	235.07	16.29	263.73	19.01
	90	133.87	9.02	156.02	10.66	177.73	12.40	206.40	14.93	235.07	17.73	263.73	20.72
	95	133.87	9.76	156.02	11.54	177.73	13.45	206.40	16.18	235.07	19.31	263.73	22.59
	100	133.87	10.53	156.02	12.48	177.73	14.57	206.40	17.67	235.07	21.05	263.73	24.69
	105	133.87	11.44	156.02	13.61	177.73	15.94	206.40	19.29	235.07	23.10	263.73	27.07
	110	133.87	12.63	156.02	15.06	177.73	17.61	206.40	21.37	235.07	25.65	263.73	30.23
115	133.87	13.91	156.02	16.64	177.73	19.49	206.40	23.82	235.07	27.67	263.73	32.94	
118	133.87	14.74	156.02	17.64	177.73	20.66	206.40	25.24	216.26	26.96	239.14	31.38	
50%	25	111.51	5.32	130.00	5.95	148.59	6.62	172.00	7.56	195.65	8.56	219.30	9.62
	30	111.51	5.39	130.00	6.04	148.59	6.73	172.00	7.71	195.65	8.72	219.30	9.80
	35	111.51	5.47	130.00	6.15	148.59	6.86	172.00	7.85	195.65	8.91	219.30	10.02
	40	111.51	5.56	130.00	6.26	148.59	6.99	172.00	8.00	195.65	9.10	219.30	10.24
	45	111.51	5.65	130.00	6.37	148.59	7.12	172.00	8.17	195.65	9.30	219.30	10.46
	50	111.51	5.74	130.00	6.48	148.59	7.25	172.00	8.35	195.65	9.50	219.30	10.69
	55	111.51	5.85	130.00	6.61	148.59	7.41	172.00	8.51	195.65	9.72	219.30	10.99
	60	111.51	5.95	130.00	6.74	148.59	7.56	172.00	8.72	195.65	9.94	219.30	11.24
	65	111.51	6.15	130.00	6.96	148.59	7.84	172.00	9.06	195.65	10.38	219.30	11.59
	70	111.51	6.20	130.00	7.03	148.59	7.91	172.00	9.14	195.65	10.43	219.30	11.45
	75	111.51	6.32	130.00	7.18	148.59	7.97	172.00	9.04	195.65	10.55	219.30	12.06
	80	111.51	6.39	130.00	7.33	148.59	8.35	172.00	9.85	195.65	11.49	219.30	13.17
	85	111.51	6.84	130.00	7.92	148.59	9.05	172.00	10.67	195.65	12.54	219.30	14.27
	90	111.51	7.36	130.00	8.55	148.59	9.80	172.00	11.54	195.65	13.55	219.30	15.50
	95	111.51	7.95	130.00	9.24	148.59	10.63	172.00	12.52	195.65	14.73	219.30	16.95
	100	111.51	8.55	130.00	9.96	148.59	11.44	172.00	13.74	195.65	16.05	219.30	18.47
	105	111.51	9.25	130.00	10.80	148.59	12.46	172.00	14.81	195.65	17.56	219.30	20.20
	110	111.51	10.17	130.00	11.93	148.59	13.64	172.00	16.33	195.65	19.31	219.30	22.44
115	111.51	11.17	130.00	13.10	148.59	15.06	172.00	18.17	195.65	20.15	219.30	27.17	
118	111.51	11.85	130.00	13.88	148.59	15.97	172.00	19.26	195.65	21.36	219.30	28.80	

NOTE - Power Input = Compressor + Outdoor Fan Motor.  
MBH = 1000 BTUs per hour.

# HEATING CAPACITY - THREE MODULE - VRA360H4

Combination (%)	Outdoor Temperature (°F)		Indoor Temperature - °F Dry Bulb											
			61		64		67		70		73		75	
	Dry Bulb	Wet Bulb	Total Cap. MBH	Power Input kW	Total Cap. MBH	Power Input kW	Total Cap. MBH	Power Input kW	Total Cap. MBH	Power Input kW	Total Cap. MBH	Power Input kW	Total Cap. MBH	Power Input kW
130%	-13	-13	152.20	21.68	151.52	22.66	151.29	23.40	150.97	24.31	150.38	25.12	150.38	25.64
	-8	-9	175.88	24.82	175.09	25.73	174.83	26.44	174.45	27.27	173.77	27.98	173.77	28.45
	-3	-4	204.25	28.94	203.33	29.76	203.03	30.43	202.59	31.16	201.81	31.75	201.81	32.16
	2	1	223.73	32.35	222.78	32.98	222.02	33.58	221.19	34.12	220.97	34.53	220.53	34.85
	7	6	242.79	35.71	241.81	36.20	240.94	36.63	240.67	37.00	239.90	37.27	239.36	37.45
	12	10	262.23	38.91	261.22	39.20	260.26	39.39	259.94	39.50	259.24	39.65	258.60	39.70
	17	15	290.23	40.86	289.19	40.88	288.84	40.89	287.44	40.90	286.98	40.91	286.05	40.92
	22	20	299.95	39.87	298.93	39.88	298.59	39.89	297.24	39.90	296.78	39.91	295.88	39.91
	27	24	321.66	39.04	321.40	39.05	320.64	39.06	319.96	39.07	318.83	39.07	318.60	39.08
	32	29	340.44	37.33	339.83	37.34	339.27	37.35	338.28	37.36	337.47	37.36	336.94	37.37
	37	34	363.67	36.37	363.17	36.38	362.55	36.38	361.64	36.39	360.74	36.40	360.29	36.40
	42	38	394.28	35.44	393.86	35.44	393.18	35.45	383.32	35.45	382.34	35.46	381.98	34.75
	47	43	429.68	34.10	419.94	34.11	410.20	34.11	400.46	34.12	394.63	34.12	391.91	33.44
	52	47	446.95	33.25	437.21	33.26	427.47	33.26	417.73	33.27	412.07	32.94	401.50	32.28
	57	52	468.54	32.36	458.80	32.37	449.06	32.37	439.32	32.37	423.81	31.73	406.69	30.75
	62	56	485.81	31.84	476.07	31.22	466.33	31.22	456.59	31.23	428.09	30.11	406.69	28.91
	67	61	497.64	31.23	488.08	30.63	478.53	30.04	459.78	30.04	428.09	28.44	406.69	27.31
	72	66	508.63	31.03	499.27	30.11	489.90	29.49	460.20	28.89	428.09	27.08	406.69	25.53
75	69	521.09	30.88	511.72	29.65	502.36	28.73	460.45	27.45	428.09	25.22	406.69	23.80	
120%	-13	-13	151.29	23.42	151.29	23.95	150.69	24.64	150.38	25.38	149.86	26.11	149.47	26.56
	-8	-9	174.83	26.40	174.83	26.92	174.13	27.55	173.77	28.27	173.17	28.90	172.72	29.31
	-3	-4	203.03	30.31	203.03	30.83	202.21	31.38	201.81	32.07	201.11	32.59	200.58	32.95
	2	1	222.46	33.36	221.96	33.83	220.95	34.25	220.53	34.88	219.70	35.23	219.26	35.50
	7	6	241.48	36.49	240.87	36.76	239.80	37.08	239.36	37.59	238.92	37.77	238.05	37.97
	12	10	260.89	39.37	260.18	39.46	259.68	39.58	258.60	39.87	258.16	39.95	257.27	40.03
	17	15	288.84	40.88	287.79	40.89	287.44	40.90	286.05	40.91	286.05	40.92	286.05	40.93
	22	20	298.59	39.88	297.57	39.89	297.24	39.90	295.88	39.91	295.88	39.92	295.88	39.92
	27	24	320.30	39.05	320.04	39.06	319.28	39.07	318.60	39.07	318.26	39.08	317.58	39.09
	32	29	339.09	37.34	338.48	37.35	337.92	37.36	336.94	37.36	336.76	37.37	336.40	37.38
	37	34	351.77	35.67	351.28	35.67	350.67	35.68	350.46	35.68	352.46	35.69	352.02	35.69
	42	38	381.24	34.08	373.37	34.09	372.72	34.09	372.46	34.10	363.36	34.10	362.85	34.10
	47	43	412.69	32.18	403.79	32.18	394.88	32.19	385.98	32.19	377.07	32.19	371.14	32.20
	52	47	429.79	31.98	420.89	31.98	411.98	31.99	403.08	31.99	390.23	32.00	375.40	31.78
	57	52	446.84	31.73	433.68	31.74	424.95	31.74	416.22	31.74	395.16	30.66	375.40	28.86
	62	56	463.73	31.54	450.45	31.54	437.34	31.54	424.80	31.06	395.16	28.52	375.40	26.87
	67	61	480.14	31.29	466.75	31.29	454.44	30.87	424.80	28.51	395.16	26.21	375.40	24.72
	72	66	496.15	31.04	484.07	30.67	454.44	28.47	424.80	26.32	395.16	24.23	375.40	22.87
75	69	508.60	30.89	494.47	30.30	454.44	27.02	424.80	25.00	395.16	23.04	375.40	21.76	
110%	-13	-13	150.38	24.40	150.38	25.25	149.77	25.80	149.47	26.51	149.17	26.97	148.56	27.30
	-8	-9	173.77	27.35	173.77	28.10	173.07	28.62	172.72	29.24	172.37	29.70	171.67	29.97
	-3	-4	201.81	31.23	201.81	31.86	200.99	32.33	200.58	32.86	200.18	33.31	199.36	33.53
	2	1	221.19	34.18	220.69	34.63	220.12	35.01	219.26	35.39	219.06	35.81	218.65	35.95
	7	6	240.18	37.04	239.56	37.36	239.03	37.62	238.05	37.88	237.89	38.15	237.56	38.21
	12	10	259.56	39.52	258.84	39.78	258.35	39.91	258.22	39.96	257.14	40.15	256.89	40.10
	17	15	287.44	40.89	287.44	40.90	286.51	40.91	286.05	40.92	284.65	40.93	284.65	40.94
	22	20	297.24	39.89	296.22	39.90	295.88	39.91	295.88	39.92	294.52	39.93	294.52	39.72
	27	24	319.96	39.06	319.19	39.07	318.71	39.08	317.58	39.08	316.90	39.09	316.22	38.67
	32	29	338.28	37.35	337.88	37.36	337.20	37.37	336.40	37.37	335.59	37.38	335.59	36.77
	37	34	351.11	35.67	350.62	35.68	350.02	35.69	349.14	35.69	347.83	35.70	344.12	34.91
	42	38	363.63	34.09	363.06	34.09	362.53	34.10	361.59	34.10	353.25	34.11	344.12	33.16
	47	43	388.03	32.18	380.11	32.19	379.78	32.19	371.70	32.20	362.23	32.20	344.12	31.12
	52	47	404.79	31.99	396.86	31.99	388.94	31.99	381.01	32.00	362.23	30.46	344.12	28.68
	57	52	425.54	31.74	417.62	31.74	409.69	31.75	389.40	30.13	362.23	27.69	344.12	26.10
	62	56	442.15	31.54	434.22	31.54	416.57	30.35	389.40	28.04	362.23	25.79	344.12	24.33
	67	61	462.90	31.29	443.73	30.01	416.57	27.86	389.40	25.77	362.23	23.74	344.12	22.42
	72	66	470.90	29.68	443.73	27.68	416.57	25.73	389.40	23.83	362.23	21.98	344.12	20.77
75	69	475.70	28.72	443.73	26.29	416.57	24.45	389.40	22.66	362.23	20.92	344.12	19.79	

NOTE - Power Input = Compressor + Outdoor Fan Motor.  
MBH = 1000 BTUs per hour.

# HEATING CAPACITY - THREE MODULE - VRA360H4

Combination (%)	Outdoor Temperature (°F)		Indoor Temperature - °F Dry Bulb											
			61		64		67		70		73		75	
	Dry Bulb	Wet Bulb	Total Cap. MBH	Power Input kW	Total Cap. MBH	Power Input kW	Total Cap. MBH	Power Input kW	Total Cap. MBH	Power Input kW	Total Cap. MBH	Power Input kW	Total Cap. MBH	Power Input kW
100%	-13	-13	150.06	25.83	149.62	26.36	149.47	26.86	148.56	27.39	148.56	28.44	148.56	29.27
	-8	-9	173.40	28.65	172.89	29.12	172.72	29.54	171.67	30.07	171.67	31.10	171.67	32.01
	-3	-4	201.37	32.37	200.78	32.76	200.58	33.10	199.36	33.61	199.36	34.64	199.36	35.66
	2	1	219.92	35.05	219.42	35.32	219.26	35.55	218.65	36.02	217.99	36.98	217.99	38.07
	7	6	239.36	37.65	238.38	37.83	238.05	37.99	237.56	38.38	236.74	39.28	236.74	40.43
	12	10	258.60	39.90	258.32	39.95	257.59	40.03	256.89	40.27	256.57	41.14	255.93	42.35
	17	15	286.05	40.91	286.05	40.92	285.12	40.92	284.65	40.93	284.19	41.76	283.26	42.59
	22	20	295.88	39.91	295.88	39.91	294.97	39.92	294.52	39.93	294.07	40.19	293.16	40.24
	27	24	318.60	39.07	317.83	39.08	317.35	39.09	316.22	39.09	316.11	38.05	306.58	38.13
	32	29	336.94	38.48	336.53	38.12	335.86	37.38	335.59	37.37	326.01	35.87	312.84	34.90
	37	34	349.80	37.47	349.31	37.12	348.70	36.41	346.52	35.69	329.30	33.76	312.84	32.51
	42	38	369.17	36.48	368.59	35.80	362.85	34.79	350.73	34.10	329.30	31.78	312.84	30.28
	<b>47</b>	<b>43</b>	<b>385.37</b>	<b>35.09</b>	<b>384.35</b>	<b>34.45</b>	<b>372.13</b>	<b>33.49</b>	<b>354.00</b>	<b>30.95</b>	329.30	29.55	312.84	27.83
	52	47	404.35	34.26	392.80	33.29	377.89	31.99	354.00	30.24	329.30	27.79	312.84	26.21
	57	52	421.32	33.03	403.40	31.41	378.70	29.74	354.00	27.50	329.30	25.32	312.84	23.90
	62	56	428.09	31.35	403.40	29.22	378.70	27.14	354.00	25.12	329.30	23.16	312.84	21.88
	67	61	428.09	28.77	403.40	26.84	378.70	24.97	354.00	23.14	329.30	21.36	312.84	20.19
	72	66	428.09	26.55	403.40	24.80	378.70	23.10	354.00	21.43	329.30	19.81	312.84	18.75
	75	69	428.09	25.22	403.40	23.58	378.70	21.97	354.00	20.40	329.30	18.88	312.84	17.88
	90%	-13	-13	147.98	28.41	147.30	29.00	147.07	29.54	147.07	30.13	146.17	30.67	146.17
-8		-9	170.99	31.52	170.21	32.03	169.95	32.50	169.95	33.07	168.91	33.54	168.91	35.21
-3		-4	194.61	35.61	193.72	36.03	193.42	36.41	193.42	36.98	192.23	37.36	192.23	38.44
2		1	213.33	38.56	212.89	38.86	212.31	39.10	212.09	39.62	211.29	39.88	210.86	40.62
7		6	229.32	41.23	228.96	41.24	228.32	41.26	228.06	41.27	227.32	41.28	226.80	41.28
12		10	247.90	41.73	247.62	41.74	246.92	41.75	246.61	41.76	245.94	41.77	245.32	41.77
17		15	277.47	41.74	277.47	41.75	277.47	41.76	276.11	41.76	276.11	41.77	276.11	41.78
22		20	280.68	39.92	280.68	39.93	279.81	39.65	279.38	39.18	280.88	38.73	275.86	38.44
27		24	303.98	39.09	297.30	39.09	297.06	38.53	296.74	37.61	290.44	36.72	281.55	36.14
32		29	327.14	37.37	320.34	37.38	315.31	36.57	312.23	35.24	296.37	33.94	281.55	33.10
37		34	348.10	35.69	340.24	35.70	330.99	34.65	318.60	32.95	296.37	31.29	281.55	30.21
42		38	365.80	34.10	352.03	34.11	336.08	32.85	318.60	30.80	296.37	28.80	281.55	27.51
47		43	374.59	33.16	356.72	32.20	340.83	30.77	318.60	28.43	296.37	26.15	281.55	24.67
52		47	379.81	32.00	363.06	30.54	340.83	28.36	318.60	26.23	296.37	24.17	281.55	22.82
57		52	385.28	29.76	363.06	27.76	340.83	25.81	318.60	23.91	296.37	22.06	281.55	20.86
62		56	385.28	27.69	363.06	25.86	340.83	24.07	318.60	22.32	296.37	20.62	281.55	19.51
67		61	385.28	25.46	363.06	23.80	340.83	22.18	318.60	20.60	296.37	19.05	281.55	18.05
72		66	385.28	23.55	363.06	22.04	340.83	20.56	318.60	19.11	296.37	17.70	281.55	16.78
75		69	385.28	22.40	363.06	20.98	340.83	19.58	318.60	18.22	296.37	16.89	281.55	16.03
80%		-13	-13	146.50	31.26	145.83	31.90	145.60	32.50	145.60	33.15	145.30	33.73	144.70
	-8	-9	169.29	34.67	168.51	35.23	168.25	35.74	168.25	36.38	167.91	36.89	167.21	38.02
	-3	-4	192.67	39.17	191.78	39.64	191.49	40.05	191.49	40.67	191.09	41.09	190.30	41.59
	2	1	211.07	41.14	210.64	41.46	210.06	41.72	209.85	42.28	209.65	42.56	209.26	43.07
	7	6	228.96	42.49	228.60	42.50	227.96	42.51	227.69	42.52	227.54	42.53	227.22	42.96
	12	10	247.80	42.58	247.53	42.59	247.44	42.60	246.51	42.61	246.39	42.61	246.14	42.62
	17	15	280.19	41.76	273.69	41.76	273.35	41.77	273.35	41.78	269.31	41.78	250.27	41.79
	22	20	291.59	39.68	283.26	39.27	277.71	38.87	276.42	38.47	262.28	38.09	250.27	37.84
	27	24	310.93	38.60	303.11	37.78	290.71	36.98	283.20	36.20	263.44	35.44	250.27	34.95
	32	29	323.32	36.67	312.90	35.48	298.93	34.32	283.20	33.20	263.44	32.10	250.27	31.39
	37	34	330.40	34.78	314.67	33.26	298.93	31.78	283.20	30.33	263.44	28.92	250.27	28.01
	42	38	330.40	33.01	314.67	31.18	298.93	29.39	283.20	27.65	263.44	25.96	250.27	24.86
	47	43	330.40	30.94	314.67	28.86	298.93	26.82	283.20	24.84	263.44	22.91	250.27	21.65
	52	47	330.40	28.52	314.67	26.62	298.93	24.77	283.20	22.97	263.44	21.21	250.27	20.07
	57	52	330.40	25.95	314.67	24.26	298.93	22.61	283.20	20.99	263.44	19.42	250.27	18.39
	62	56	330.40	24.20	314.67	22.64	298.93	21.12	283.20	19.63	263.44	18.18	250.27	17.23
	67	61	330.40	22.30	314.67	20.89	298.93	19.51	283.20	18.16	263.44	16.84	250.27	15.98
	72	66	330.40	20.67	314.67	19.38	298.93	18.12	283.20	16.89	263.44	15.68	250.27	14.89
	75	69	330.40	19.69	314.67	18.47	298.93	17.29	283.20	16.12	263.44	14.98	250.27	14.24

NOTE - Power Input = Compressor + Outdoor Fan Motor.  
MBH = 1000 BTUs per hour.

# HEATING CAPACITY - THREE MODULE - VRA360H4

Combination (%)	Outdoor Temperature (°F)		Indoor Temperature - °F Dry Bulb											
			61		64		67		70		73		75	
	Dry Bulb	Wet Bulb	Total Cap. MBH	Power Input kW	Total Cap. MBH	Power Input kW	Total Cap. MBH	Power Input kW	Total Cap. MBH	Power Input kW	Total Cap. MBH	Power Input kW	Total Cap. MBH	Power Input kW
70%	-13	-13	145.04	34.64	145.04	34.66	144.45	34.68	144.15	34.70	144.15	34.72	144.15	34.73
	-8	-9	167.60	36.51	167.60	36.53	166.91	36.54	166.57	36.56	166.57	36.58	166.57	36.59
	-3	-4	190.75	39.20	190.75	39.21	189.96	39.23	189.57	39.24	189.57	39.25	189.57	39.26
	2	1	208.97	41.09	208.97	41.10	208.58	41.11	207.75	41.12	206.89	41.13	207.24	41.13
	7	6	226.68	42.51	226.68	42.52	226.36	42.53	225.42	42.54	221.85	42.55	218.99	42.55
	12	10	248.14	42.60	248.14	42.61	247.89	42.61	244.05	42.62	230.51	42.63	218.99	42.63
	17	15	266.16	41.77	265.17	41.78	259.60	41.78	247.80	41.79	230.51	41.79	218.99	41.80
	22	20	283.20	38.80	273.37	38.46	261.35	38.12	247.80	37.80	230.51	37.48	218.99	37.27
	27	24	288.44	36.85	274.68	36.17	261.35	35.51	247.80	34.86	230.51	34.23	218.99	33.82
	32	29	288.44	34.13	274.68	33.15	261.35	32.19	247.80	31.25	230.51	30.34	218.99	29.74
	37	34	288.44	31.53	274.68	30.27	261.35	29.04	247.80	27.84	230.51	26.66	218.99	25.90
	42	38	288.44	29.10	274.68	27.58	261.35	26.10	247.80	24.65	230.51	23.24	218.99	22.32
	47	43	288.44	26.49	274.68	24.75	261.35	23.06	247.80	21.42	230.51	19.81	218.99	18.76
	52	47	288.44	24.47	274.68	22.90	261.35	21.36	247.80	19.86	230.51	18.39	218.99	17.43
	57	52	288.44	22.33	274.68	20.92	261.35	19.55	247.80	18.20	230.51	16.88	218.99	16.02
	62	56	288.44	20.87	274.68	19.57	261.35	18.30	247.80	17.06	230.51	15.84	218.99	15.04
	67	61	288.44	19.28	274.68	18.10	261.35	16.95	247.80	15.82	230.51	14.71	218.99	13.98
72	66	288.44	17.91	274.68	16.83	261.35	15.78	247.80	14.74	230.51	13.73	218.99	13.06	
75	69	288.44	17.09	274.68	16.07	261.35	15.08	247.80	14.10	230.51	13.14	218.99	12.51	
60%	-13	-13	142.14	34.69	142.14	34.70	141.56	34.72	141.26	34.74	141.26	34.75	141.26	34.76
	-8	-9	157.92	36.55	156.26	36.57	154.10	36.58	152.20	36.59	150.42	36.61	149.76	36.62
	-3	-4	181.65	39.23	178.07	39.25	174.06	39.26	170.26	39.27	166.41	39.28	164.99	39.29
	2	1	208.00	41.11	202.21	41.12	196.06	41.13	190.09	41.14	183.85	41.15	181.55	41.15
	7	6	229.05	42.53	223.25	42.54	217.04	42.55	208.70	42.56	193.63	42.56	187.70	42.57
	12	10	238.13	42.62	232.85	42.62	222.60	42.63	212.40	42.64	197.58	42.64	187.70	42.65
	17	15	242.84	41.79	236.00	41.79	224.20	41.80	212.40	41.80	197.58	41.81	187.70	41.20
	22	20	247.40	37.97	237.96	37.69	226.06	37.42	212.40	37.16	197.58	36.90	187.70	36.24
	27	24	251.14	35.20	239.18	34.65	227.22	34.11	212.40	33.58	197.58	33.07	187.70	32.35
	32	29	251.14	31.74	239.18	30.95	227.22	30.17	212.40	29.41	197.58	28.66	187.70	27.90
	37	34	251.14	28.46	239.18	27.44	227.22	26.44	212.40	25.47	197.58	24.51	187.70	23.71
	42	38	251.14	25.40	239.18	24.18	227.22	22.98	212.40	21.80	197.58	20.65	187.70	19.82
	47	43	256.86	23.17	242.04	21.71	227.22	20.28	212.40	18.89	197.58	17.53	187.70	16.64
	52	47	256.86	20.64	242.04	19.36	227.22	18.11	212.40	16.89	197.58	15.69	187.70	14.91
	57	52	256.86	18.90	242.04	17.75	227.22	16.63	212.40	15.53	197.58	14.45	187.70	13.75
	62	56	256.86	17.70	242.04	16.65	227.22	15.61	212.40	14.59	197.58	13.60	187.70	12.94
	67	61	256.86	16.41	242.04	15.44	227.22	14.50	212.40	13.57	197.58	12.66	187.70	12.06
72	66	256.86	15.28	242.04	14.40	227.22	13.54	212.40	12.69	197.58	11.85	187.70	11.30	
75	69	256.86	14.61	242.04	13.78	227.22	12.96	212.40	12.15	197.58	11.36	187.70	10.84	
50%	-13	-13	139.30	34.73	139.30	34.75	138.73	34.76	138.44	34.77	138.31	34.79	131.39	34.80
	-8	-9	151.89	36.59	150.09	36.60	147.80	36.62	145.75	36.63	143.84	36.64	136.65	36.65
	-3	-4	171.81	39.27	167.92	39.28	163.61	39.29	159.50	39.30	155.52	39.31	147.74	39.31
	2	1	193.79	41.14	187.49	41.14	180.84	41.15	174.37	41.16	164.65	41.17	156.42	41.17
	7	6	202.63	42.56	194.20	42.56	185.54	42.57	177.00	42.57	164.65	42.58	156.42	42.58
	12	10	208.41	42.64	197.99	42.64	187.47	42.65	177.00	42.65	164.65	41.80	156.42	40.48
	17	15	214.05	42.21	201.70	41.79	189.35	41.19	177.00	39.21	164.65	37.85	156.42	35.69
	22	20	214.05	37.93	201.70	37.33	189.35	36.60	177.00	34.52	164.65	31.77	156.42	29.98
	27	24	214.05	33.64	201.70	33.21	189.35	32.02	177.00	30.24	164.65	27.87	156.42	26.33
	32	29	214.05	29.49	201.70	28.87	189.35	27.61	177.00	26.12	164.65	24.11	156.42	22.81
	37	34	214.05	25.57	201.70	24.77	189.35	23.46	177.00	22.24	164.65	20.57	156.42	19.49
	42	38	214.05	21.93	201.70	20.97	189.35	20.00	177.00	18.63	164.65	17.28	156.42	16.41
	47	43	214.05	19.23	201.70	18.08	189.35	16.95	177.00	15.84	164.65	14.75	156.42	14.04
	52	47	214.05	17.02	201.70	16.02	189.35	15.04	177.00	14.07	164.65	13.12	156.42	12.50
	57	52	214.05	15.65	201.70	14.75	189.35	13.86	177.00	12.99	164.65	12.14	156.42	11.57
	62	56	214.05	14.71	201.70	13.87	189.35	13.05	177.00	12.24	164.65	11.45	156.42	10.93
	67	61	214.05	13.67	201.70	12.91	189.35	12.16	177.00	11.43	164.65	10.70	156.42	10.22
72	66	214.05	12.78	201.70	12.08	189.35	11.39	177.00	10.71	164.65	10.05	156.42	9.61	
75	69	214.05	12.24	201.70	11.58	189.35	10.93	177.00	10.29	164.65	9.66	156.42	9.24	

NOTE - Power Input = Compressor + Outdoor Fan Motor.  
MBH = 1000 BTUs per hour.



## COOLING CAPACITY - THREE MODULE - VRA384H4

Combination (%)	Outdoor Temperature °F (Dry Bulb)	Indoor Temperature - °F (Dry Bulb / Wet Bulb)											
		67 / 57		71 / 60		75 / 63		80 / 67		85 / 71		90 / 75	
		Total Cap.	Power Input	Total Cap.	Power Input	Total Cap.	Power Input	Total Cap.	Power Input	Total Cap.	Power Input	Total Cap.	Power Input
		MBH	kW	MBH	kW	MBH	kW	MBH	kW	MBH	kW	MBH	kW
130%	25	332.74	14.49	379.63	17.14	438.15	19.94	476.37	23.79	488.73	25.16	507.86	24.06
	30	332.74	14.82	379.63	17.58	438.15	20.43	476.37	24.28	488.73	25.04	507.86	23.94
	35	332.74	15.17	379.63	17.99	438.15	20.91	476.37	24.87	488.73	24.83	507.86	23.77
	40	332.74	15.52	379.63	18.39	438.15	21.39	476.37	25.47	488.73	24.62	507.86	23.60
	45	332.74	15.91	379.63	18.87	438.15	21.96	476.37	25.38	488.73	24.40	507.86	23.34
	50	332.74	16.30	379.63	19.35	438.15	22.52	476.37	25.30	488.73	24.19	507.86	23.09
	55	332.74	16.72	379.63	19.91	438.15	23.15	469.70	25.08	481.96	24.15	501.09	23.64
	60	332.74	17.15	379.63	20.39	433.64	23.74	459.31	25.38	470.11	25.25	489.18	25.55
	65	332.74	17.83	379.63	21.42	429.07	25.48	452.83	27.46	463.28	28.14	482.22	28.48
	70	332.74	18.34	379.63	22.79	423.54	26.99	442.63	28.52	454.80	28.95	473.86	29.20
	75	332.74	20.03	379.63	25.00	419.03	29.03	435.86	30.39	448.10	30.81	466.97	31.07
	80	332.74	22.11	379.63	27.46	411.08	31.05	423.95	32.26	436.31	32.55	455.05	32.98
	85	332.74	24.11	379.63	30.09	406.63	33.22	418.99	34.04	429.35	34.46	448.22	34.89
	90	332.74	26.36	374.63	32.88	396.47	35.43	405.36	35.95	417.63	36.37	436.18	36.80
	95	336.36	28.69	373.46	34.93	393.77	37.24	404.70	37.69	415.24	38.20	433.99	38.37
	100	336.36	31.45	368.38	37.05	387.00	39.15	397.74	39.56	408.89	39.68	428.84	39.68
	105	336.36	34.58	360.81	39.46	376.77	41.31	386.68	41.48	397.07	41.48	410.10	41.48
	110	336.36	38.54	349.23	42.49	363.43	43.80	369.62	43.80	377.50	43.80	383.79	43.80
115	334.64	44.14	339.22	44.14	340.74	44.25	340.74	44.31	342.36	44.40	346.62	44.48	
118	287.79	40.24	291.73	40.24	293.04	40.34	293.04	40.39	294.43	40.47	298.09	40.55	
120%	25	302.90	13.29	346.79	15.70	400.44	18.19	450.16	21.59	477.39	24.94	498.36	24.86
	30	302.90	13.58	346.79	16.05	400.44	18.64	450.16	22.07	477.39	25.13	498.36	24.62
	35	302.90	13.90	346.79	16.42	400.44	19.05	450.16	22.66	477.39	25.17	498.36	24.45
	40	302.90	14.21	346.79	16.79	400.44	19.47	450.16	23.26	477.39	25.21	498.36	24.28
	45	302.90	14.56	346.79	17.26	400.44	20.03	450.16	23.85	477.39	25.04	498.36	24.11
	50	302.90	14.91	346.79	17.73	400.44	20.60	450.16	24.45	477.39	24.87	498.36	23.94
	55	302.90	15.29	346.79	18.15	400.44	21.05	450.16	25.08	471.64	24.70	492.61	23.98
	60	302.90	15.68	346.79	18.63	400.44	21.65	446.83	25.55	458.77	25.25	479.61	25.38
	65	302.90	16.34	346.79	19.46	400.44	22.88	440.06	26.78	453.21	27.72	473.93	28.31
	70	302.90	16.54	346.79	20.30	400.44	24.50	431.67	28.35	443.65	28.78	464.24	29.03
	75	302.90	18.00	346.79	22.32	400.44	26.94	425.09	30.22	437.96	30.47	458.61	30.90
	80	302.90	19.74	346.79	24.51	392.69	29.55	413.28	32.09	425.16	32.38	445.49	32.64
	85	302.90	21.65	346.79	26.80	388.24	31.92	406.60	33.87	419.47	34.21	439.80	34.55
	90	302.90	23.56	346.79	29.29	380.36	34.02	394.98	35.65	406.54	36.03	426.68	36.46
	95	305.95	25.64	350.49	32.00	379.95	36.16	392.21	37.52	405.08	37.94	425.41	38.37
	100	305.95	27.97	350.49	34.97	375.37	38.47	387.25	39.39	398.91	39.68	419.12	39.68
	105	305.95	30.73	345.98	38.20	366.64	41.03	376.39	41.42	387.57	41.48	404.67	41.48
	110	305.95	34.29	339.12	41.42	357.87	43.80	362.66	43.80	371.88	43.80	380.46	43.80
115	297.66	38.20	327.47	42.65	337.41	44.25	337.41	44.31	340.20	44.40	346.81	44.48	
118	264.92	35.75	291.45	39.14	293.04	40.34	293.04	40.39	294.43	40.47	298.09	40.55	
110%	25	280.60	12.10	321.27	14.25	370.86	16.52	416.04	19.55	458.07	22.77	494.93	25.54
	30	280.60	12.36	321.27	14.56	370.86	16.87	416.04	20.03	458.07	23.26	494.93	25.30
	35	280.60	12.64	321.27	14.91	370.86	17.27	416.04	20.54	458.07	23.85	494.93	25.13
	40	280.60	12.92	321.27	15.25	370.86	17.68	416.04	21.05	458.07	24.45	494.93	24.96
	45	280.60	13.23	321.27	15.63	370.86	18.10	416.04	21.56	458.07	24.74	494.93	24.79
	50	280.60	13.55	321.27	16.02	370.86	18.52	416.04	22.07	458.07	25.04	494.93	24.62
	55	280.60	13.89	321.27	16.40	370.86	19.04	416.04	22.71	455.82	25.32	488.16	24.45
	60	280.60	14.24	321.27	16.86	370.86	19.55	416.04	23.34	451.78	25.51	475.99	25.13
	65	280.60	14.83	321.27	17.68	370.86	20.53	416.04	24.87	449.53	26.91	469.10	27.97
	70	280.60	15.01	321.27	18.01	370.86	21.50	416.04	26.82	440.95	28.52	460.45	28.86
	75	280.60	16.03	321.27	19.67	370.86	23.71	416.04	29.54	434.18	30.30	453.69	30.56
	80	277.84	17.49	318.08	21.62	367.14	26.00	406.60	31.79	417.88	32.17	437.01	32.47
	85	277.84	19.18	318.08	23.64	367.14	28.46	399.93	33.61	411.18	33.95	430.24	34.29
	90	277.84	20.88	318.08	25.85	366.06	31.18	388.30	35.44	399.39	35.86	418.33	36.12
	95	277.84	22.75	318.08	28.22	361.62	34.12	381.54	37.18	392.69	37.60	411.43	38.03
	100	277.84	24.70	318.08	30.69	358.18	36.73	376.68	39.09	387.54	39.49	406.29	39.68
	105	277.84	27.11	318.08	33.81	350.43	39.37	365.05	41.37	375.82	41.48	394.31	41.48
	110	277.84	30.22	318.08	37.73	343.06	42.61	349.89	43.80	358.69	43.80	367.02	43.80
115	277.84	33.61	318.08	41.51	333.15	44.25	333.98	44.31	337.72	44.40	343.19	44.48	
118	264.92	34.41	291.45	38.90	293.04	40.34	293.04	40.39	294.43	40.47	298.09	40.55	

NOTE - Power Input = Compressor + Outdoor Fan Motor.  
MBH = 1000 BTUs per hour.

## COOLING CAPACITY - THREE MODULE - VRA384H4

Combination (%)	Outdoor Temperature °F (Dry Bulb)	Indoor Temperature - °F (Dry Bulb / Wet Bulb)											
		67 / 57		71 / 60		75 / 63		80 / 67		85 / 71		90 / 75	
		Total Cap.	Power Input	Total Cap.	Power Input	Total Cap.	Power Input	Total Cap.	Power Input	Total Cap.	Power Input	Total Cap.	Power Input
		MBH	kW	MBH	kW	MBH	kW	MBH	kW	MBH	kW	MBH	kW
100%	25	246.76	10.97	282.22	12.85	325.75	14.81	366.00	17.51	418.58	20.40	467.95	23.33
	30	246.76	11.19	282.22	13.12	325.75	15.14	366.00	18.00	418.58	20.88	467.95	23.94
	35	246.76	11.43	282.22	13.43	325.75	15.50	366.00	18.42	418.58	21.39	467.95	24.53
	40	246.76	11.68	282.22	13.73	325.75	15.86	366.00	18.84	418.58	21.90	467.95	25.13
	45	246.76	11.96	282.22	14.07	325.75	16.28	366.00	19.35	418.58	22.49	467.95	25.30
	50	246.76	12.24	282.22	14.41	325.75	16.70	366.00	19.86	418.58	23.09	467.95	25.47
	55	246.76	12.52	282.22	14.77	325.75	17.11	366.00	20.33	418.58	23.73	464.52	25.25
	60	246.76	12.84	282.22	15.15	325.75	17.53	366.00	20.88	417.98	24.36	454.96	25.38
	65	246.76	13.37	282.22	15.79	325.75	18.30	366.00	21.69	415.72	26.02	449.27	27.16
	70	246.76	13.51	282.22	15.98	325.75	18.84	366.00	23.26	412.96	27.67	439.77	28.52
	75	246.76	14.16	282.22	17.29	325.75	20.71	366.00	25.64	410.73	30.05	434.31	30.39
	80	246.76	15.47	282.22	18.92	325.75	22.71	366.00	28.22	406.76	31.87	421.38	32.13
	85	246.76	16.89	282.22	20.71	325.75	24.81	366.00	30.98	403.33	33.70	415.72	34.04
	90	246.76	18.38	282.22	22.61	325.75	27.14	366.00	33.87	390.43	35.52	402.82	35.82
	95	246.76	20.03	282.22	24.62	325.75	29.65	366.00	37.01	384.87	37.43	397.14	37.69
	100	246.76	21.77	282.22	26.83	325.75	32.31	359.52	38.88	378.71	39.17	391.10	39.56
	105	246.76	23.82	282.22	29.51	324.48	35.60	349.51	41.03	367.33	41.40	379.73	41.48
	110	246.76	26.48	282.22	32.85	321.87	39.73	343.41	43.80	352.08	43.80	360.15	43.80
115	246.76	29.37	282.22	36.50	311.07	42.50	329.40	44.31	338.65	44.40	341.76	44.48	
118	246.76	31.13	248.35	34.05	273.74	38.94	289.87	40.39	294.43	40.47	298.09	40.55	
90%	25	222.27	9.87	254.08	11.50	294.17	13.19	330.07	15.57	365.46	18.08	422.01	20.74
	30	222.27	10.07	254.08	11.75	294.17	13.49	330.07	15.92	365.46	18.51	422.01	21.22
	35	222.27	10.28	254.08	12.01	294.17	13.80	330.07	16.31	365.46	18.93	422.01	21.73
	40	222.27	10.49	254.08	12.27	294.17	14.11	330.07	16.69	365.46	19.35	422.01	22.24
	45	222.27	10.73	254.08	12.56	294.17	14.46	330.07	17.09	365.46	19.86	422.01	22.75
	50	222.27	10.97	254.08	12.85	294.17	14.80	330.07	17.49	365.46	20.37	422.01	23.26
	55	222.27	11.22	254.08	13.16	294.17	15.18	330.07	17.95	365.46	20.92	422.01	23.90
	60	222.27	11.48	254.08	13.50	294.17	15.58	330.07	18.51	365.46	21.52	419.60	24.53
	65	222.27	11.94	254.08	14.05	294.17	16.23	330.07	19.18	365.46	22.56	417.75	26.57
	70	222.27	12.07	254.08	14.21	294.17	16.41	330.07	20.03	365.46	24.19	412.29	28.35
	75	222.27	12.41	254.08	15.05	294.17	17.87	330.07	22.07	365.46	26.65	407.97	30.22
	80	222.27	13.55	254.08	16.47	294.17	19.54	330.07	24.19	365.46	29.33	400.28	31.96
	85	222.27	14.76	254.08	17.95	294.17	21.39	330.07	26.48	363.84	32.00	394.34	33.78
	90	222.27	16.05	254.08	19.55	294.17	23.37	330.07	29.03	360.06	34.42	382.87	35.61
	95	222.27	17.49	254.08	21.31	294.17	25.41	330.07	31.58	357.83	36.93	376.33	37.35
	100	222.27	18.97	254.08	23.14	294.17	27.76	330.07	34.55	356.21	38.84	370.32	39.26
	105	222.27	20.77	254.08	25.39	294.17	30.48	330.07	38.03	349.83	41.11	357.77	41.42
	110	222.27	22.92	254.08	28.27	294.17	34.01	330.07	42.44	334.77	43.80	339.47	43.80
115	222.27	25.47	254.08	31.45	281.01	40.69	312.91	44.31	318.41	44.40	321.27	44.48	
118	222.27	26.99	248.35	32.63	244.48	37.52	272.23	40.39	277.01	40.47	279.50	40.55	
80%	25	197.68	8.82	225.84	10.20	261.41	11.65	292.51	13.68	324.57	15.82	374.77	18.02
	30	197.68	8.98	225.84	10.41	261.41	11.89	292.51	13.97	324.57	16.18	374.77	18.51
	35	197.68	9.17	225.84	10.63	261.41	12.16	292.51	14.30	324.57	16.55	374.77	18.93
	40	197.68	9.35	225.84	10.86	261.41	12.43	292.51	14.63	324.57	16.93	374.77	19.35
	45	197.68	9.55	225.84	11.10	261.41	12.72	292.51	15.00	324.57	17.38	374.77	19.86
	50	197.68	9.74	225.84	11.35	261.41	13.02	292.51	15.36	324.57	17.83	374.77	20.37
	55	197.68	9.96	225.84	11.62	261.41	13.34	292.51	15.75	324.57	18.27	374.77	20.84
	60	197.68	10.19	225.84	11.90	261.41	13.68	292.51	16.16	324.57	18.80	374.77	21.48
	65	197.68	10.58	225.84	12.38	261.41	14.24	292.51	16.85	324.57	19.59	374.77	22.62
	70	197.68	10.70	225.84	12.52	261.41	14.41	292.51	16.98	324.57	20.46	374.77	24.11
	75	197.68	10.97	225.84	13.00	261.41	15.28	292.51	18.67	324.57	22.49	374.77	26.65
	80	197.68	11.76	225.84	14.15	261.41	16.73	292.51	20.41	324.57	24.66	374.77	29.24
	85	197.68	12.78	225.84	15.42	261.41	18.22	292.51	22.41	324.57	27.04	374.77	32.09
	90	197.68	13.88	225.84	16.75	261.41	19.91	292.51	24.53	324.57	29.54	370.51	35.06
	95	197.68	15.06	225.84	18.28	261.41	21.62	292.51	26.65	324.57	32.26	364.98	37.01
	100	197.68	16.32	225.84	19.77	261.41	23.56	292.51	29.03	324.57	35.27	359.52	38.92
	105	197.68	17.83	225.84	21.69	261.41	25.84	292.51	31.92	323.20	38.82	351.04	41.08
	110	197.68	19.69	225.84	24.02	261.41	28.75	292.51	35.65	319.14	42.44	334.39	43.80
115	197.68	21.90	225.84	26.74	261.41	31.97	292.51	39.73	293.12	44.40	294.33	44.48	
118	197.68	23.21	225.84	28.34	244.48	33.05	254.49	36.40	255.01	40.47	256.06	40.55	

NOTE - Power Input = Compressor + Outdoor Fan Motor.  
MBH = 1000 BTUs per hour.

## COOLING CAPACITY - THREE MODULE - VRA384H4

Combination (%)	Outdoor Temperature °F (Dry Bulb)	Indoor Temperature - °F (Dry Bulb / Wet Bulb)											
		67 / 57		71 / 60		75 / 63		80 / 67		85 / 71		90 / 75	
		Total Cap.	Power Input	Total Cap.	Power Input	Total Cap.	Power Input	Total Cap.	Power Input	Total Cap.	Power Input	Total Cap.	Power Input
		MBH	kW	MBH	kW	MBH	kW	MBH	kW	MBH	kW	MBH	kW
70%	25	173.18	7.82	197.70	8.97	228.81	10.17	256.49	11.86	283.84	13.64	328.38	15.50
	30	173.18	7.96	197.70	9.15	228.81	10.38	256.49	12.10	283.84	13.95	328.38	15.86
	35	173.18	8.11	197.70	9.33	228.81	10.60	256.49	12.38	283.84	14.27	328.38	16.24
	40	173.18	8.25	197.70	9.51	228.81	10.83	256.49	12.66	283.84	14.60	328.38	16.62
	45	173.18	8.42	197.70	9.72	228.81	11.07	256.49	12.96	283.84	14.97	328.38	17.05
	50	173.18	8.59	197.70	9.93	228.81	11.31	256.49	13.26	283.84	15.33	328.38	17.49
	55	173.18	8.76	197.70	10.15	228.81	11.58	256.49	13.60	283.84	15.72	328.38	17.91
	60	173.18	8.96	197.70	10.38	228.81	11.86	256.49	13.94	283.84	16.13	328.38	18.42
	65	173.18	9.29	197.70	10.79	228.81	12.33	256.49	14.51	283.84	16.78	328.38	19.31
	70	173.18	9.37	197.70	10.89	228.81	12.47	256.49	14.69	283.84	17.04	328.38	19.86
	75	173.18	9.61	197.70	11.18	228.81	12.92	256.49	15.62	283.84	18.59	328.38	21.90
	80	173.18	10.10	197.70	12.02	228.81	14.08	256.49	17.08	283.84	20.39	328.38	24.06
	85	173.18	10.97	197.70	13.08	228.81	15.34	256.49	18.67	283.84	22.28	328.38	26.40
	90	173.18	11.88	197.70	14.21	228.81	16.69	256.49	20.37	283.84	24.36	328.38	28.86
	95	173.18	12.85	197.70	15.40	228.81	18.09	256.49	22.07	283.84	26.57	328.38	31.41
	100	173.18	13.90	197.70	16.69	228.81	19.68	256.49	24.02	283.84	28.97	328.38	34.38
	105	173.18	15.17	197.70	18.26	228.81	21.60	256.49	26.43	283.84	31.86	328.38	37.75
	110	173.18	16.77	197.70	20.24	228.81	23.99	256.49	29.37	283.84	35.57	321.90	42.27
115	173.18	18.51	197.70	22.45	228.81	26.60	256.49	32.77	283.84	41.08	309.26	44.48	
118	173.18	19.62	197.70	23.80	228.81	28.19	230.84	31.26	255.01	38.24	256.06	40.55	
60%	25	148.78	6.87	169.58	7.80	196.09	8.77	218.93	10.13	243.46	11.58	281.65	13.10
	30	148.78	6.98	169.58	7.93	196.09	8.93	218.93	10.34	243.46	11.82	281.65	13.38
	35	148.78	7.10	169.58	8.08	196.09	9.11	218.93	10.56	243.46	12.09	281.65	13.69
	40	148.78	7.22	169.58	8.23	196.09	9.30	218.93	10.78	243.46	12.36	281.65	14.01
	45	148.78	7.35	169.58	8.40	196.09	9.49	218.93	11.03	243.46	12.65	281.65	14.35
	50	148.78	7.49	169.58	8.57	196.09	9.69	218.93	11.27	243.46	12.95	281.65	14.69
	55	148.78	7.64	169.58	8.75	196.09	9.91	218.93	11.53	243.46	13.26	281.65	15.07
	60	148.78	7.79	169.58	8.94	196.09	10.14	218.93	11.82	243.46	13.59	281.65	15.46
	65	148.78	8.06	169.58	9.26	196.09	10.52	218.93	12.29	243.46	14.16	281.65	16.10
	70	148.78	8.13	169.58	9.35	196.09	10.63	218.93	12.43	243.46	14.32	281.65	16.30
	75	148.78	8.32	169.58	9.58	196.09	10.89	218.93	12.83	243.46	15.16	281.65	17.66
	80	148.78	8.60	169.58	10.09	196.09	11.68	218.93	14.01	243.46	16.58	281.65	19.35
	85	148.78	9.29	169.58	10.94	196.09	12.70	218.93	15.27	243.46	18.11	281.65	21.14
	90	148.78	10.03	169.58	11.86	196.09	13.79	218.93	16.60	243.46	19.71	281.65	23.05
	95	148.78	10.85	169.58	12.83	196.09	14.96	218.93	18.00	243.46	21.48	281.65	25.13
	100	148.78	11.71	169.58	13.88	196.09	16.20	218.93	19.65	243.46	23.41	281.65	27.46
	105	148.78	12.73	169.58	15.14	196.09	17.73	218.93	21.45	243.46	25.69	281.65	30.11
	110	148.78	14.04	169.58	16.75	196.09	19.58	218.93	23.77	243.46	28.52	281.65	33.61
115	148.78	15.47	169.58	18.51	196.09	21.67	218.93	26.48	243.46	31.75	281.65	37.35	
118	148.78	16.39	169.58	19.62	196.09	22.97	218.93	28.07	223.98	30.96	256.06	35.90	
50%	25	123.53	5.92	141.18	6.62	163.46	7.36	183.00	8.40	202.67	9.52	234.18	10.69
	30	123.53	5.99	141.18	6.72	163.46	7.48	183.00	8.57	202.67	9.70	234.18	10.90
	35	123.53	6.09	141.18	6.84	163.46	7.63	183.00	8.73	202.67	9.91	234.18	11.15
	40	123.53	6.18	141.18	6.96	163.46	7.77	183.00	8.90	202.67	10.12	234.18	11.39
	45	123.53	6.28	141.18	7.08	163.46	7.92	183.00	9.09	202.67	10.34	234.18	11.64
	50	123.53	6.38	141.18	7.21	163.46	8.06	183.00	9.29	202.67	10.56	234.18	11.88
	55	123.53	6.51	141.18	7.35	163.46	8.24	183.00	9.46	202.67	10.81	234.18	12.22
	60	123.53	6.62	141.18	7.49	163.46	8.41	183.00	9.69	202.67	11.06	234.18	12.50
	65	123.53	6.84	141.18	7.74	163.46	8.71	183.00	10.08	202.67	11.54	234.18	12.89
	70	123.53	6.89	141.18	7.82	163.46	8.80	183.00	10.17	202.67	11.60	234.18	12.73
	75	123.53	7.03	141.18	7.98	163.46	8.87	183.00	10.05	202.67	11.73	234.18	13.41
	80	123.53	7.10	141.18	8.16	163.46	9.28	183.00	10.95	202.67	12.78	234.18	14.64
	85	123.53	7.61	141.18	8.80	163.46	10.07	183.00	11.87	202.67	13.95	234.18	15.87
	90	123.53	8.18	141.18	9.51	163.46	10.89	183.00	12.83	202.67	15.07	234.18	17.23
	95	123.53	8.85	141.18	10.27	163.46	11.82	183.00	13.92	202.67	16.38	234.18	18.84
	100	123.53	9.51	141.18	11.08	163.46	12.72	183.00	15.28	202.67	17.85	234.18	20.54
	105	123.53	10.29	141.18	12.01	163.46	13.85	183.00	16.47	202.67	19.52	234.18	22.47
	110	123.53	11.31	141.18	13.27	163.46	15.17	183.00	18.17	202.67	21.48	234.18	24.96
115	123.53	12.43	141.18	14.57	163.46	16.75	183.00	20.20	202.67	22.41	234.18	30.22	
118	123.53	13.17	141.18	15.44	163.46	17.76	183.00	21.41	202.67	23.75	234.18	32.03	

NOTE - Power Input = Compressor + Outdoor Fan Motor.  
MBH = 1000 BTUs per hour.

## HEATING CAPACITY - THREE MODULE - VRA384H4

Combination (%)	Outdoor Temperature (°F)		Indoor Temperature - °F Dry Bulb											
			61		64		67		70		73		75	
	Dry Bulb	Wet Bulb	Total Cap. MBH	Power Input kW	Total Cap. MBH	Power Input kW	Total Cap. MBH	Power Input kW	Total Cap. MBH	Power Input kW	Total Cap. MBH	Power Input kW	Total Cap. MBH	Power Input kW
130%	-13	-13	161.34	21.54	160.68	22.74	160.33	23.72	159.86	24.78	159.28	25.74	159.15	26.37
	-8	-9	190.96	25.07	190.18	26.20	189.76	27.15	189.19	28.12	188.50	28.99	188.34	29.58
	-3	-4	219.73	29.35	218.83	30.35	218.35	31.22	217.70	32.07	216.91	32.81	216.73	33.33
	2	1	242.70	33.39	241.91	34.17	240.92	34.89	240.03	35.54	239.57	36.10	238.85	36.51
	7	6	262.95	36.42	262.31	36.98	261.32	37.48	260.56	37.90	259.86	38.28	259.09	38.55
	12	10	284.31	39.18	283.66	39.49	282.54	39.72	281.79	39.89	281.09	40.08	280.19	40.21
	17	15	311.17	40.84	310.48	40.85	309.56	40.86	308.30	40.87	308.00	40.88	307.39	40.89
	22	20	323.44	40.00	322.77	40.01	322.55	40.02	320.64	40.03	320.34	40.04	319.75	40.05
	27	24	345.14	39.18	344.98	39.19	344.31	39.20	343.02	39.21	342.19	39.22	341.88	39.22
	32	29	365.52	37.71	365.13	37.72	364.09	37.72	363.11	37.73	362.38	37.74	361.62	37.74
	37	34	389.91	36.43	389.20	36.44	388.33	36.45	387.58	36.45	386.82	36.46	386.19	36.46
	42	38	423.32	35.15	422.74	35.16	421.78	35.16	411.22	35.17	408.64	35.18	406.15	34.73
	47	43	458.93	33.66	448.52	33.67	438.12	33.67	427.72	33.68	421.49	33.68	416.99	33.26
	52	47	476.74	32.97	466.34	32.98	455.93	32.98	445.53	32.99	439.48	32.78	428.19	32.37
	57	52	499.01	32.22	488.60	32.22	478.20	32.23	467.80	32.23	453.63	31.83	438.01	31.21
	62	56	516.82	31.73	506.42	31.34	496.01	31.35	485.61	31.35	462.96	30.65	441.12	29.34
	67	61	532.71	31.15	522.43	30.78	512.15	30.40	495.86	30.41	464.33	28.73	441.12	27.39
72	66	548.06	30.83	537.90	30.25	527.75	29.86	499.16	29.01	464.33	27.00	441.12	25.45	
75	69	561.10	30.62	550.94	29.85	540.78	29.27	501.13	27.70	464.33	25.30	441.12	23.86	
120%	-13	-13	160.40	23.54	160.20	24.33	159.61	25.20	159.21	26.06	158.68	26.87	158.29	27.40
	-8	-9	189.84	26.93	189.59	27.70	188.89	28.49	188.42	29.32	187.79	30.04	187.33	30.53
	-3	-4	218.44	30.98	218.16	31.68	217.36	32.38	216.82	33.15	216.09	33.75	215.56	34.17
	2	1	241.09	34.62	240.62	35.21	239.82	35.76	239.41	36.42	238.22	36.85	237.84	37.17
	7	6	261.47	37.31	260.79	37.67	259.99	38.05	259.71	38.56	258.68	38.79	257.86	39.01
	12	10	282.71	39.67	282.02	39.82	281.63	39.98	280.92	40.26	279.80	40.36	279.03	40.49
	17	15	310.26	40.85	308.79	40.86	308.30	40.87	307.39	40.88	306.35	40.89	306.35	40.90
	22	20	322.55	40.02	321.12	40.02	320.64	40.03	319.75	40.04	319.41	40.05	318.72	40.06
	27	24	344.00	39.20	343.26	39.20	342.57	39.21	342.13	39.22	341.40	39.23	340.45	39.23
	32	29	364.04	37.72	363.34	37.72	362.87	37.73	362.23	37.74	361.10	37.75	360.87	37.75
	37	34	381.63	35.99	380.93	36.00	380.41	36.00	379.76	36.01	379.47	36.02	379.18	36.02
	42	38	408.92	34.30	403.78	34.31	403.35	34.31	402.78	34.32	391.41	34.32	389.52	34.33
	47	43	445.89	32.46	436.27	32.46	426.65	32.46	417.03	32.47	405.80	32.47	397.83	32.48
	52	47	463.73	32.18	454.11	32.18	444.49	32.18	434.87	32.19	420.99	32.19	402.36	32.05
	57	52	477.57	31.82	465.28	31.83	455.88	31.83	446.49	31.83	426.91	30.91	405.56	29.09
	62	56	495.07	31.54	482.70	31.55	470.45	31.55	458.56	31.25	426.91	28.73	405.56	27.06
	67	61	515.90	31.19	503.42	31.19	491.65	30.93	460.76	28.67	428.61	26.36	407.18	24.86
72	66	534.52	30.84	522.90	30.61	492.91	28.59	460.76	26.42	428.61	24.32	407.18	22.96	
75	69	547.55	30.62	534.59	30.26	493.66	27.18	460.76	25.07	428.61	23.10	407.18	21.82	
110%	-13	-13	159.47	24.94	159.28	25.86	158.68	26.53	158.29	27.34	157.89	27.89	157.37	28.30
	-8	-9	188.75	28.27	188.50	29.10	187.80	29.72	187.33	30.47	186.86	30.98	186.24	31.33
	-3	-4	217.18	32.20	216.91	32.90	216.10	33.46	215.56	34.11	215.02	34.56	214.31	34.84
	2	1	240.03	35.64	239.56	36.16	238.71	36.60	237.84	37.11	237.57	37.48	237.21	37.65
	7	6	260.24	37.98	259.84	38.33	259.08	38.62	257.86	38.98	257.75	39.17	257.54	39.25
	12	10	281.54	39.93	281.08	40.16	280.27	40.27	279.65	40.46	278.94	40.59	278.78	40.57
	17	15	309.52	40.86	309.52	40.87	308.22	40.88	307.56	40.89	306.65	40.90	306.65	40.91
	22	20	320.64	40.03	319.97	40.04	319.75	40.04	318.72	40.05	317.84	40.06	317.84	39.93
	27	24	343.02	39.21	342.52	39.21	342.03	39.22	340.45	39.23	340.00	39.24	339.56	38.97
	32	29	363.11	37.73	362.85	37.73	361.73	37.74	360.87	37.75	360.34	37.75	360.34	37.37
	37	34	377.73	36.00	377.04	36.01	376.19	36.01	375.46	36.02	374.43	36.02	371.68	35.53
	42	38	396.48	34.31	394.25	34.31	391.86	34.32	391.05	34.32	382.06	34.33	373.25	33.74
	47	43	422.61	32.46	413.99	32.47	410.32	32.47	401.59	32.47	391.95	32.48	373.25	31.39
	52	47	440.16	32.18	429.82	32.18	421.23	32.19	412.63	32.19	392.90	30.72	373.25	28.92
	57	52	460.14	31.83	451.55	31.83	442.95	31.84	422.36	30.37	392.90	27.90	373.25	26.30
	62	56	477.52	31.55	468.93	31.55	451.83	30.57	422.36	28.24	392.90	25.97	373.25	24.50
	67	61	499.25	31.19	481.30	30.19	451.83	28.02	422.36	25.92	392.90	23.87	373.25	22.54
72	66	510.76	29.81	481.30	27.80	451.83	25.83	422.36	23.92	392.90	22.06	373.25	20.85	
75	69	517.67	28.99	481.30	26.36	451.83	24.52	422.36	22.72	392.90	20.97	373.25	19.83	

NOTE - Power Input = Compressor + Outdoor Fan Motor.  
MBH = 1000 BTUs per hour.

# HEATING CAPACITY - THREE MODULE - VRA384H4

Combination (%)	Outdoor Temperature (°F)		Indoor Temperature - °F Dry Bulb											
			61		64		67		70		73		75	
	Dry Bulb	Wet Bulb	Total Cap. MBH	Power Input kW	Total Cap. MBH	Power Input kW	Total Cap. MBH	Power Input kW	Total Cap. MBH	Power Input kW	Total Cap. MBH	Power Input kW	Total Cap. MBH	Power Input kW
100%	-13	-13	158.87	26.53	158.43	27.14	158.16	27.73	157.37	28.33	157.23	29.24	157.10	30.33
	-8	-9	188.02	29.74	187.50	30.28	187.17	30.82	186.24	31.36	186.08	32.26	185.92	33.47
	-3	-4	216.35	33.49	215.76	33.94	215.38	34.41	214.31	34.87	214.12	35.76	213.94	37.10
	2	1	238.41	36.66	237.98	36.98	237.75	37.34	237.21	37.68	236.18	38.53	236.09	39.66
	7	6	259.09	38.68	258.16	38.87	257.86	39.15	257.54	39.35	256.25	40.14	256.00	41.31
	12	10	280.19	40.33	279.78	40.34	279.23	40.50	278.78	40.58	277.74	41.32	277.13	42.53
	17	15	306.13	40.88	305.36	40.89	304.49	40.89	302.27	40.90	303.54	41.43	302.25	41.95
	22	20	319.75	40.21	318.98	40.21	318.13	40.22	317.84	40.22	317.54	40.23	316.95	40.26
	27	24	341.88	39.50	340.81	39.51	340.30	39.51	339.56	39.51	339.23	38.58	333.01	38.63
	32	29	361.62	38.88	361.06	38.65	360.52	38.18	360.34	38.18	353.35	36.81	339.32	36.20
	37	34	376.38	37.71	375.69	37.49	375.17	37.04	373.25	36.59	356.48	34.81	339.32	34.02
	42	38	396.77	36.49	393.43	36.07	388.20	35.43	376.38	34.99	356.62	32.87	339.32	31.24
	<b>47</b>	<b>43</b>	<b>414.50</b>	<b>35.10</b>	<b>409.97</b>	<b>34.70</b>	<b>398.95</b>	<b>34.10</b>	<b>380.00</b>	<b>33.28</b>	<b>357.18</b>	<b>29.80</b>	<b>339.32</b>	<b>28.07</b>
	52	47	434.27	34.13	422.09	33.31	407.62	32.19	380.00	30.27	357.18	27.82	339.32	26.23
	57	52	452.00	32.95	433.71	31.63	410.76	29.76	380.00	27.51	357.18	25.32	339.32	23.90
	62	56	462.96	31.43	437.54	29.43	410.76	27.34	380.00	25.30	357.18	23.31	339.32	22.02
	67	61	464.33	28.94	437.54	27.00	410.76	25.11	380.00	23.26	357.18	21.47	339.32	20.30
	72	66	464.33	26.66	437.54	24.90	410.76	23.18	380.00	21.51	357.18	19.87	339.32	18.81
	75	69	464.33	25.30	437.54	23.64	410.76	22.03	380.00	20.45	357.18	18.91	339.32	17.91
	90%	-13	-13	156.84	29.18	156.25	29.85	155.92	30.50	155.79	31.17	155.03	31.77	154.94
-8		-9	185.62	32.71	184.93	33.31	184.54	33.90	184.38	34.50	183.49	35.06	183.38	36.82
-3		-4	211.00	36.84	210.21	37.34	209.77	37.85	209.58	38.36	208.57	38.87	208.45	40.32
2		1	233.62	40.32	232.85	40.68	232.22	41.08	231.98	41.45	231.28	41.88	230.84	42.66
7		6	252.13	42.86	251.43	42.87	250.85	42.88	250.31	42.89	249.76	42.90	249.29	42.91
12		10	271.70	42.40	271.52	42.41	270.57	42.42	269.85	42.43	269.41	42.44	269.01	42.45
17		15	300.53	41.41	300.53	41.42	299.84	41.42	298.61	41.43	298.61	41.44	298.61	41.44
22		20	307.01	40.05	307.01	40.06	306.45	39.89	306.17	39.60	308.08	39.32	301.67	39.13
27		24	329.74	39.23	325.38	39.24	325.05	38.88	324.76	38.31	317.59	37.75	305.39	37.38
32		29	352.31	37.75	345.15	37.75	341.22	37.24	338.88	36.41	321.46	35.60	305.39	35.07
37		34	373.36	36.02	363.62	36.02	356.51	35.37	345.57	34.30	321.46	32.75	305.39	31.30
42		38	392.02	34.32	378.05	34.33	363.45	33.54	345.57	31.84	321.46	29.57	305.39	28.09
47		43	406.44	33.33	386.92	32.48	369.68	31.03	345.57	28.67	321.46	26.38	305.39	24.89
52		47	411.33	32.19	393.79	30.80	369.68	28.60	345.57	26.46	321.46	24.37	305.39	23.01
57		52	417.90	30.00	393.79	27.98	369.68	26.01	345.57	24.10	321.46	22.23	305.39	21.02
62		56	417.90	27.89	393.79	26.04	369.68	24.23	345.57	22.47	321.46	20.76	305.39	19.64
67		61	417.90	25.60	393.79	23.93	369.68	22.30	345.57	20.71	321.46	19.15	305.39	18.14
72		66	417.90	23.64	393.79	22.12	369.68	20.63	345.57	19.18	321.46	17.76	305.39	16.83
75		69	417.90	22.45	393.79	21.03	369.68	19.63	345.57	18.26	321.46	16.92	305.39	16.05
80%		-13	-13	155.21	32.10	154.67	32.84	154.41	33.55	154.23	34.28	153.93	34.95	153.45
	-8	-9	183.69	35.98	183.06	36.64	182.75	37.29	182.54	37.95	182.18	38.57	181.62	40.05
	-3	-4	208.80	40.52	208.09	41.07	207.73	41.63	207.49	42.19	207.08	42.76	206.45	43.92
	2	1	230.86	43.56	230.50	43.94	229.98	44.37	229.58	44.78	229.29	45.24	228.91	46.10
	7	6	249.48	43.66	248.97	43.67	248.38	43.68	248.04	43.69	247.83	43.70	247.55	43.97
	12	10	267.64	42.95	267.25	42.95	267.12	42.96	266.52	42.97	266.20	42.98	265.53	42.98
	17	15	296.54	41.42	292.29	41.43	292.07	41.44	292.07	41.44	286.84	41.45	271.46	41.45
	22	20	311.37	39.91	305.19	39.65	298.96	39.40	298.12	39.15	284.98	38.92	271.46	38.76
	27	24	329.88	38.93	323.00	38.41	313.17	37.91	305.95	37.42	285.74	36.95	271.46	36.48
	32	29	344.64	37.31	334.65	36.56	322.59	35.83	307.17	35.13	285.74	33.48	271.46	32.26
	37	34	354.45	35.45	340.30	34.49	323.72	33.40	307.17	31.46	285.74	29.58	271.46	28.35
	42	38	357.74	33.64	341.12	32.27	323.72	30.23	307.17	28.26	285.74	26.33	271.46	25.08
	47	43	357.74	31.21	341.12	29.11	323.72	27.05	307.17	25.05	285.74	23.10	271.46	21.84
	52	47	357.74	28.76	341.12	26.85	323.72	24.98	307.17	23.16	285.74	21.39	271.46	20.24
	57	52	357.74	26.16	341.12	24.45	323.72	22.78	307.17	21.15	285.74	19.56	271.46	18.52
	62	56	357.74	24.36	341.12	22.79	323.72	21.26	307.17	19.76	285.74	18.30	271.46	17.34
	67	61	357.74	22.42	341.12	21.00	323.72	19.61	307.17	18.25	285.74	16.92	271.46	16.05
	72	66	357.74	20.74	341.12	19.44	323.72	18.18	307.17	16.94	285.74	15.72	271.46	14.93
	75	69	357.74	19.73	341.12	18.51	323.72	17.32	307.17	16.15	285.74	15.00	271.46	14.26

NOTE - Power Input = Compressor + Outdoor Fan Motor.  
MBH = 1000 BTUs per hour.



# HEATING CAPACITY - THREE MODULE - VRA384H4

Combination (%)	Outdoor Temperature (°F)		Indoor Temperature - °F Dry Bulb											
			61		64		67		70		73		75	
	Dry Bulb	Wet Bulb	Total Cap. MBH	Power Input kW	Total Cap. MBH	Power Input kW	Total Cap. MBH	Power Input kW	Total Cap. MBH	Power Input kW	Total Cap. MBH	Power Input kW	Total Cap. MBH	Power Input kW
70%	-13	-13	153.64	35.47	153.51	35.85	153.02	36.24	152.69	36.60	152.56	36.94	152.47	37.18
	-8	-9	181.83	38.56	181.68	38.90	181.10	39.27	180.71	39.56	180.55	39.91	180.44	40.94
	-3	-4	206.69	42.13	206.51	42.42	205.86	42.76	205.41	42.95	205.23	43.29	205.11	43.76
	2	1	228.56	44.31	228.42	44.51	227.99	44.80	227.28	44.86	227.44	45.17	226.59	45.49
	7	6	246.93	44.70	246.84	44.71	246.53	44.71	245.44	44.72	242.01	44.73	237.52	44.74
	12	10	268.44	43.77	266.35	43.78	265.73	43.79	262.71	43.79	250.02	43.80	237.52	43.81
	17	15	286.03	41.89	283.23	41.90	277.87	41.90	268.78	41.91	250.02	41.91	237.52	41.92
	22	20	301.76	39.36	293.05	39.14	283.30	38.93	268.78	38.73	250.02	38.48	237.52	37.47
	27	24	310.46	37.83	297.92	37.40	284.25	36.99	268.78	36.25	250.02	34.69	237.52	33.67
	32	29	313.30	35.72	298.63	35.10	284.25	33.64	268.78	32.03	250.02	30.47	237.52	29.46
	37	34	313.30	33.07	298.63	31.38	284.25	29.73	268.78	28.13	250.02	26.56	237.52	25.54
	42	38	313.30	29.90	298.63	28.17	284.25	26.49	268.78	24.84	250.02	23.24	237.52	22.20
	47	43	313.30	26.71	298.63	24.97	284.25	23.26	268.78	21.60	250.02	19.98	237.52	18.92
	52	47	313.30	24.68	298.63	23.09	284.25	21.54	268.78	20.02	250.02	18.54	237.52	17.57
	57	52	313.30	22.50	298.63	21.08	284.25	19.69	268.78	18.33	250.02	17.00	237.52	16.13
	62	56	313.30	21.01	298.63	19.70	284.25	18.42	268.78	17.16	250.02	15.94	237.52	15.14
	67	61	313.30	19.38	298.63	18.19	284.25	17.03	268.78	15.89	250.02	14.77	237.52	14.04
72	66	313.30	17.97	298.63	16.88	284.25	15.82	268.78	14.78	250.02	13.76	237.52	13.09	
75	69	313.30	17.12	298.63	16.10	284.25	15.10	268.78	14.12	250.02	13.15	237.52	12.52	
60%	-13	-13	150.57	37.15	150.44	37.16	149.96	37.18	149.64	37.19	149.51	37.21	149.43	37.22
	-8	-9	173.13	39.60	171.16	39.61	168.90	39.63	166.72	39.64	164.79	39.65	163.60	39.66
	-3	-4	200.72	41.69	196.60	41.70	192.27	41.71	187.94	41.72	183.94	41.73	181.45	41.74
	2	1	230.11	43.46	223.56	43.47	216.89	43.48	210.11	43.49	203.75	43.50	199.82	43.50
	7	6	252.31	44.72	244.85	44.72	237.24	44.73	227.96	44.74	215.08	44.75	207.97	44.75
	12	10	260.25	43.79	252.46	43.80	241.56	43.80	230.38	43.81	217.12	43.81	206.83	43.82
	17	15	265.16	42.06	255.74	41.75	243.24	41.76	230.38	41.76	216.63	41.15	205.80	39.90
	22	20	269.50	39.14	258.32	38.67	245.69	38.19	230.38	36.90	214.31	35.65	203.59	34.53
	27	24	271.94	36.79	259.12	35.73	246.45	34.39	230.38	33.09	214.31	31.83	203.59	30.76
	32	29	271.94	32.87	259.12	31.51	246.45	30.18	230.38	28.88	214.31	27.62	203.59	26.62
	37	34	271.94	28.96	259.12	27.60	246.45	26.27	230.38	24.97	214.31	23.69	203.59	22.75
	42	38	271.94	25.70	259.12	24.31	246.45	22.94	230.38	21.61	214.31	20.30	203.59	19.40
	47	43	278.60	23.03	262.53	21.58	246.45	20.16	230.38	18.78	214.31	17.42	203.59	16.54
	52	47	278.60	20.81	262.53	19.52	246.45	18.26	230.38	17.03	214.31	15.82	203.59	15.03
	57	52	278.60	19.04	262.53	17.89	246.45	16.75	230.38	15.64	214.31	14.56	203.59	13.84
	62	56	278.60	17.82	262.53	16.75	246.45	15.71	230.38	14.68	214.31	13.68	203.59	13.02
	67	61	278.60	16.48	262.53	15.51	246.45	14.56	230.38	13.63	214.31	12.71	203.59	12.11
72	66	278.60	15.32	262.53	14.44	246.45	13.57	230.38	12.71	214.31	11.87	203.59	11.32	
75	69	278.60	14.63	262.53	13.79	246.45	12.97	230.38	12.16	214.31	11.37	203.59	10.85	
50%	-13	-13	147.56	37.19	147.43	37.20	146.96	37.21	146.64	37.23	146.43	37.24	141.83	37.25
	-8	-9	166.29	39.64	164.14	39.65	161.69	39.66	159.37	39.67	157.14	39.68	151.79	39.69
	-3	-4	189.42	41.72	184.92	41.73	180.16	41.74	175.52	41.75	170.95	41.76	163.20	41.77
	2	1	210.16	43.49	203.13	43.49	195.89	43.50	188.74	43.51	178.59	43.52	169.66	43.52
	7	6	220.13	44.74	210.82	44.74	201.37	44.75	191.98	44.76	178.59	44.76	169.66	44.77
	12	10	226.26	43.81	214.87	43.81	203.41	43.82	191.98	43.74	178.59	41.82	169.66	40.09
	17	15	232.17	42.02	218.77	41.51	205.38	40.04	191.98	37.73	178.59	35.83	169.66	33.80
	22	20	232.17	37.51	218.77	36.23	205.38	34.88	191.98	32.70	178.59	30.13	169.66	28.45
	27	24	232.17	33.24	218.77	32.18	205.38	30.66	191.98	28.79	178.59	26.56	169.66	25.11
	32	29	232.17	29.03	218.77	27.97	205.38	26.52	191.98	24.95	178.59	23.06	169.66	21.83
	37	34	232.17	25.11	218.77	24.05	205.38	22.67	191.98	21.36	178.59	19.79	169.66	18.76
	42	38	232.17	21.75	218.77	20.66	205.38	19.58	191.98	18.24	178.59	16.94	169.66	16.09
	47	43	232.17	19.05	218.77	17.91	205.38	16.79	191.98	15.69	178.59	14.61	169.66	13.91
	52	47	232.17	17.16	218.77	16.15	205.38	15.16	191.98	14.19	178.59	13.23	169.66	12.60
	57	52	232.17	15.77	218.77	14.86	205.38	13.96	191.98	13.08	178.59	12.22	169.66	11.65
	62	56	232.17	14.80	218.77	13.95	205.38	13.13	191.98	12.31	178.59	11.51	169.66	10.99
	67	61	232.17	13.73	218.77	12.97	205.38	12.21	191.98	11.47	178.59	10.74	169.66	10.26
72	66	232.17	12.81	218.77	12.11	205.38	11.41	191.98	10.73	178.59	10.06	169.66	9.62	
75	69	232.17	12.25	218.77	11.59	205.38	10.93	191.98	10.29	178.59	9.66	169.66	9.24	

NOTE - Power Input = Compressor + Outdoor Fan Motor.  
MBH = 1000 BTUs per hour.

## COOLING CAPACITY - THREE MODULE - VRA408H4

Combination (%)	Outdoor Temperature °F (Dry Bulb)	Indoor Temperature - °F (Dry Bulb / Wet Bulb)											
		67 / 57		71 / 60		75 / 63		80 / 67		85 / 71		90 / 75	
		Total Cap.	Power Input	Total Cap.	Power Input	Total Cap.	Power Input	Total Cap.	Power Input	Total Cap.	Power Input	Total Cap.	Power Input
		MBH	kW	MBH	kW	MBH	kW	MBH	kW	MBH	kW	MBH	kW
130%	25	354.54	15.81	404.51	18.69	466.85	21.75	507.57	25.95	520.80	27.45	541.19	26.24
	30	354.54	16.17	404.51	19.18	466.85	22.28	507.57	26.48	520.80	27.31	541.19	26.11
	35	354.54	16.55	404.51	19.62	466.85	22.81	507.57	27.13	520.80	27.08	541.19	25.93
	40	354.54	16.93	404.51	20.06	466.85	23.33	507.57	27.78	520.80	26.85	541.19	25.74
	45	354.54	17.35	404.51	20.59	466.85	23.95	507.57	27.68	520.80	26.62	541.19	25.46
	50	354.54	17.78	404.51	21.11	466.85	24.57	507.57	27.59	520.80	26.39	541.19	25.18
	55	354.54	18.24	404.51	21.71	466.85	25.25	500.50	27.36	513.53	26.34	533.92	25.79
	60	354.54	18.70	404.51	22.25	462.01	25.89	489.41	27.68	500.95	27.55	521.21	27.87
	65	354.54	19.44	404.51	23.37	457.23	27.79	482.43	29.95	493.65	30.69	513.85	31.06
	70	354.54	20.00	404.51	24.86	451.30	29.44	471.73	31.11	484.66	31.57	504.93	31.85
	75	354.54	21.85	404.51	27.27	446.46	31.67	464.46	33.15	477.53	33.61	497.60	33.89
	80	354.54	24.12	404.51	29.95	437.99	33.87	451.75	35.18	464.88	35.51	484.89	35.97
	85	354.54	26.30	404.51	32.82	433.27	36.23	446.40	37.13	457.52	37.59	477.59	38.06
	90	354.54	28.75	399.20	35.87	422.44	38.64	431.96	39.21	445.00	39.68	464.81	40.14
	95	358.36	31.30	397.93	38.10	419.60	40.62	431.20	41.11	442.41	41.67	462.42	41.85
	100	358.36	34.31	392.49	40.42	412.34	42.70	423.84	43.15	435.69	43.29	456.98	43.29
	105	358.36	37.72	384.38	43.04	401.47	45.06	411.99	45.25	423.07	45.25	436.97	45.25
	110	358.36	42.04	372.13	46.34	387.23	47.78	393.82	47.78	402.27	47.78	408.96	47.78
115	356.64	48.15	361.51	48.15	363.14	48.27	363.14	48.33	364.86	48.43	369.38	48.52	
118	306.71	43.89	310.90	43.89	312.30	44.00	312.30	44.06	313.78	44.14	317.67	44.23	
120%	25	322.80	14.50	369.54	17.12	426.67	19.84	479.66	23.54	508.66	27.21	531.02	27.12
	30	322.80	14.81	369.54	17.51	426.67	20.33	479.66	24.07	508.66	27.41	531.02	26.85
	35	322.80	15.16	369.54	17.91	426.67	20.78	479.66	24.72	508.66	27.45	531.02	26.67
	40	322.80	15.50	369.54	18.32	426.67	21.23	479.66	25.37	508.66	27.50	531.02	26.48
	45	322.80	15.88	369.54	18.83	426.67	21.85	479.66	26.02	508.66	27.31	531.02	26.30
	50	322.80	16.26	369.54	19.34	426.67	22.47	479.66	26.67	508.66	27.13	531.02	26.11
	55	322.80	16.68	369.54	19.79	426.67	22.96	479.66	27.36	502.57	26.94	524.94	26.16
	60	322.80	17.10	369.54	20.32	426.67	23.61	476.13	27.87	488.90	27.55	511.01	27.68
	65	322.80	17.82	369.54	21.23	426.67	24.95	468.86	29.21	482.91	30.23	504.96	30.88
	70	322.80	18.04	369.54	22.15	426.67	26.73	460.07	30.93	472.72	31.39	494.70	31.67
	75	322.80	19.63	369.54	24.35	426.67	29.38	452.90	32.96	466.76	33.24	488.68	33.70
	80	322.80	21.53	369.54	26.74	418.39	32.24	440.38	35.00	453.02	35.32	474.69	35.60
	85	322.80	23.61	369.54	29.24	413.67	34.81	433.30	36.94	446.97	37.31	468.64	37.68
	90	322.80	25.69	369.54	31.94	405.33	37.11	420.88	38.89	433.17	39.31	454.65	39.77
	95	326.05	27.96	373.44	34.91	404.78	39.44	417.91	40.93	431.68	41.39	453.34	41.85
	100	326.05	30.51	373.44	38.15	400.00	41.96	412.56	42.96	425.05	43.29	446.65	43.29
	105	326.05	33.52	368.71	41.67	390.70	44.75	401.09	45.18	413.00	45.25	431.23	45.25
	110	326.05	37.41	361.40	45.18	381.33	47.78	386.46	47.78	396.25	47.78	405.42	47.78
115	317.16	41.67	348.99	46.53	359.60	48.27	359.60	48.33	362.53	48.43	369.48	48.52	
118	282.27	39.00	310.60	42.69	312.30	44.00	312.30	44.06	313.78	44.14	317.67	44.23	
110%	25	299.00	13.20	342.30	15.55	395.16	18.02	443.34	21.32	488.07	24.84	527.39	27.86
	30	299.00	13.48	342.30	15.88	395.16	18.40	443.34	21.85	488.07	25.37	527.39	27.59
	35	299.00	13.79	342.30	16.26	395.16	18.84	443.34	22.41	488.07	26.02	527.39	27.41
	40	299.00	14.09	342.30	16.63	395.16	19.28	443.34	22.96	488.07	26.67	527.39	27.22
	45	299.00	14.44	342.30	17.05	395.16	19.74	443.34	23.52	488.07	26.99	527.39	27.04
	50	299.00	14.78	342.30	17.47	395.16	20.20	443.34	24.07	488.07	27.31	527.39	26.85
	55	299.00	15.15	342.30	17.88	395.16	20.77	443.34	24.77	485.65	27.62	520.13	26.67
	60	299.00	15.53	342.30	18.40	395.16	21.33	443.34	25.46	481.38	27.82	507.19	27.41
	65	299.00	16.17	342.30	19.29	395.16	22.39	443.34	27.13	478.96	29.35	499.86	30.51
	70	299.00	16.37	342.30	19.65	395.16	23.46	443.34	29.26	469.88	31.11	490.65	31.48
	75	299.00	17.48	342.30	21.45	395.16	25.86	443.34	32.22	462.62	33.06	483.39	33.33
	80	296.04	19.07	338.91	23.59	391.24	28.36	433.30	34.68	445.31	35.09	465.71	35.42
	85	296.04	20.93	338.91	25.79	391.24	31.05	426.23	36.67	438.18	37.04	458.44	37.41
	90	296.04	22.78	338.91	28.19	390.03	34.01	413.80	38.66	425.53	39.12	445.73	39.40
	95	296.04	24.81	338.91	30.79	385.32	37.22	406.54	40.56	418.39	41.02	438.40	41.48
	100	296.04	26.94	338.91	33.47	381.68	40.06	401.38	42.64	412.94	43.08	432.95	43.29
	105	296.04	29.57	338.91	36.88	373.40	42.94	388.95	45.12	400.42	45.25	420.11	45.25
	110	296.04	32.96	338.91	41.16	365.50	46.48	372.89	47.78	382.23	47.78	391.08	47.78
115	296.04	36.67	338.91	45.28	354.98	48.27	355.88	48.33	359.86	48.43	365.66	48.52	
118	282.27	37.53	310.60	42.44	312.30	44.00	312.30	44.06	313.78	44.14	317.67	44.23	

NOTE - Power Input = Compressor + Outdoor Fan Motor.  
MBH = 1000 BTUs per hour.

## COOLING CAPACITY - THREE MODULE - VRA408H4

Combination (%)	Outdoor Temperature °F (Dry Bulb)	Indoor Temperature - °F (Dry Bulb / Wet Bulb)											
		67 / 57		71 / 60		75 / 63		80 / 67		85 / 71		90 / 75	
		Total Cap.	Power Input	Total Cap.	Power Input	Total Cap.	Power Input	Total Cap.	Power Input	Total Cap.	Power Input	Total Cap.	Power Input
		MBH	kW	MBH	kW	MBH	kW	MBH	kW	MBH	kW	MBH	kW
100%	25	262.96	11.97	300.74	14.02	347.11	16.15	390.00	19.10	446.05	22.25	498.62	25.45
	30	262.96	12.20	300.74	14.31	347.11	16.51	390.00	19.63	446.05	22.78	498.62	26.11
	35	262.96	12.47	300.74	14.65	347.11	16.91	390.00	20.09	446.05	23.33	498.62	26.76
	40	262.96	12.74	300.74	14.98	347.11	17.30	390.00	20.56	446.05	23.89	498.62	27.41
	45	262.96	13.05	300.74	15.34	347.11	17.76	390.00	21.11	446.05	24.54	498.62	27.59
	50	262.96	13.35	300.74	15.71	347.11	18.22	390.00	21.67	446.05	25.18	498.62	27.78
	55	262.96	13.66	300.74	16.11	347.11	18.66	390.00	22.18	446.05	25.88	494.99	27.55
	60	262.96	14.01	300.74	16.53	347.11	19.12	390.00	22.78	445.41	26.57	484.79	27.68
	65	262.96	14.58	300.74	17.23	347.11	19.96	390.00	23.66	442.99	28.38	478.74	29.63
	70	262.96	14.74	300.74	17.44	347.11	20.56	390.00	25.37	440.02	30.18	468.57	31.11
	75	262.96	15.44	300.74	18.86	347.11	22.59	390.00	27.96	437.67	32.78	462.77	33.15
	80	262.96	16.87	300.74	20.64	347.11	24.77	390.00	30.79	433.43	34.77	448.98	35.05
	85	262.96	18.43	300.74	22.59	347.11	27.07	390.00	33.80	429.80	36.76	442.99	37.13
	90	262.96	20.05	300.74	24.66	347.11	29.60	390.00	36.94	416.06	38.75	429.25	39.07
	95	262.96	21.85	300.74	26.85	347.11	32.35	390.00	40.37	410.07	40.83	423.20	41.11
	100	262.96	23.75	300.74	29.27	347.11	35.25	383.02	42.41	403.54	42.73	416.73	43.15
	105	262.96	25.99	300.74	32.19	345.71	38.83	372.41	44.75	391.43	45.15	404.63	45.25
	110	262.96	28.89	300.74	35.83	342.97	43.33	365.91	47.78	375.18	47.78	383.72	47.78
115	262.96	32.04	300.74	39.81	331.44	46.36	351.00	48.33	360.85	48.43	364.22	48.52	
118	262.96	33.96	264.66	37.14	291.66	42.48	308.88	44.06	313.78	44.14	317.67	44.23	
90%	25	236.77	10.77	270.68	12.54	313.40	14.39	351.76	16.99	389.39	19.72	449.68	22.62
	30	236.77	10.98	270.68	12.81	313.40	14.71	351.76	17.37	389.39	20.19	449.68	23.15
	35	236.77	11.21	270.68	13.10	313.40	15.05	351.76	17.79	389.39	20.65	449.68	23.70
	40	236.77	11.44	270.68	13.39	313.40	15.39	351.76	18.20	389.39	21.11	449.68	24.26
	45	236.77	11.70	270.68	13.70	313.40	15.77	351.76	18.64	389.39	21.67	449.68	24.81
	50	236.77	11.96	270.68	14.02	313.40	16.15	351.76	19.07	389.39	22.22	449.68	25.37
	55	236.77	12.24	270.68	14.36	313.40	16.56	351.76	19.58	389.39	22.82	449.68	26.06
	60	236.77	12.53	270.68	14.72	313.40	16.99	351.76	20.19	389.39	23.47	447.13	26.76
	65	236.77	13.02	270.68	15.33	313.40	17.71	351.76	20.93	389.39	24.61	445.15	28.98
	70	236.77	13.17	270.68	15.50	313.40	17.89	351.76	21.85	389.39	26.39	439.36	30.93
	75	236.77	13.54	270.68	16.41	313.40	19.49	351.76	24.07	389.39	29.07	434.70	32.96
	80	236.77	14.78	270.68	17.97	313.40	21.31	351.76	26.39	389.39	31.99	426.55	34.86
	85	236.77	16.10	270.68	19.58	313.40	23.33	351.76	28.89	387.67	34.91	420.17	36.85
	90	236.77	17.51	270.68	21.32	313.40	25.49	351.76	31.67	383.63	37.55	407.97	38.84
	95	236.77	19.07	270.68	23.24	313.40	27.72	351.76	34.44	381.27	40.28	400.96	40.74
	100	236.77	20.69	270.68	25.24	313.40	30.28	351.76	37.68	379.55	42.36	394.65	42.82
	105	236.77	22.65	270.68	27.70	313.40	33.25	351.76	41.48	372.76	44.85	381.24	45.18
	110	236.77	25.00	270.68	30.83	313.40	37.10	351.76	46.30	356.70	47.78	361.74	47.78
115	236.77	27.78	270.68	34.31	299.45	44.38	333.41	48.33	339.27	48.43	342.33	48.52	
118	236.77	29.44	264.66	35.59	260.52	40.93	290.07	44.06	295.17	44.14	297.83	44.23	
80%	25	210.68	9.62	240.72	11.13	278.58	12.70	311.71	14.92	345.90	17.25	399.37	19.66
	30	210.68	9.80	240.72	11.35	278.58	12.97	311.71	15.24	345.90	17.65	399.37	20.19
	35	210.68	10.00	240.72	11.60	278.58	13.27	311.71	15.60	345.90	18.06	399.37	20.65
	40	210.68	10.20	240.72	11.84	278.58	13.56	311.71	15.96	345.90	18.46	399.37	21.11
	45	210.68	10.42	240.72	12.11	278.58	13.88	311.71	16.36	345.90	18.95	399.37	21.67
	50	210.68	10.63	240.72	12.38	278.58	14.20	311.71	16.76	345.90	19.44	399.37	22.22
	55	210.68	10.87	240.72	12.68	278.58	14.55	311.71	17.18	345.90	19.93	399.37	22.73
	60	210.68	11.12	240.72	12.98	278.58	14.92	311.71	17.63	345.90	20.51	399.37	23.43
	65	210.68	11.54	240.72	13.50	278.58	15.54	311.71	18.38	345.90	21.37	399.37	24.68
	70	210.68	11.67	240.72	13.65	278.58	15.72	311.71	18.52	345.90	22.31	399.37	26.30
	75	210.68	11.96	240.72	14.19	278.58	16.67	311.71	20.37	345.90	24.54	399.37	29.07
	80	210.68	12.83	240.72	15.44	278.58	18.24	311.71	22.27	345.90	26.90	399.37	31.90
	85	210.68	13.94	240.72	16.82	278.58	19.88	311.71	24.44	345.90	29.49	399.37	35.00
	90	210.68	15.14	240.72	18.28	278.58	21.72	311.71	26.76	345.90	32.22	394.84	38.24
	95	210.68	16.43	240.72	19.94	278.58	23.58	311.71	29.07	345.90	35.18	388.92	40.37
	100	210.68	17.80	240.72	21.57	278.58	25.69	311.71	31.67	345.90	38.47	383.12	42.45
	105	210.68	19.44	240.72	23.66	278.58	28.19	311.71	34.81	344.40	42.35	374.04	44.81
	110	210.68	21.48	240.72	26.20	278.58	31.36	311.71	38.89	340.07	46.30	356.32	47.78
115	210.68	23.89	240.72	29.17	278.58	34.88	311.71	43.33	312.35	48.43	313.63	48.52	
118	210.68	25.32	240.72	30.92	260.52	36.05	271.19	39.71	271.74	44.14	272.85	44.23	

NOTE - Power Input = Compressor + Outdoor Fan Motor.  
MBH = 1000 BTUs per hour.

## COOLING CAPACITY - THREE MODULE - VRA408H4

Combination (%)	Outdoor Temperature °F (Dry Bulb)	Indoor Temperature - °F (Dry Bulb / Wet Bulb)											
		67 / 57		71 / 60		75 / 63		80 / 67		85 / 71		90 / 75	
		Total Cap.	Power Input	Total Cap.	Power Input	Total Cap.	Power Input	Total Cap.	Power Input	Total Cap.	Power Input	Total Cap.	Power Input
		MBH	kW	MBH	kW	MBH	kW	MBH	kW	MBH	kW	MBH	kW
70%	25	184.49	8.53	210.65	9.79	243.78	11.10	273.29	12.94	302.44	14.88	349.92	16.91
	30	184.49	8.69	210.65	9.98	243.78	11.32	273.29	13.20	302.44	15.21	349.92	17.30
	35	184.49	8.84	210.65	10.18	243.78	11.56	273.29	13.51	302.44	15.57	349.92	17.71
	40	184.49	9.00	210.65	10.37	243.78	11.81	273.29	13.81	302.44	15.93	349.92	18.13
	45	184.49	9.19	210.65	10.60	243.78	12.07	273.29	14.14	302.44	16.32	349.92	18.60
	50	184.49	9.37	210.65	10.83	243.78	12.34	273.29	14.46	302.44	16.72	349.92	19.07
	55	184.49	9.56	210.65	11.07	243.78	12.63	273.29	14.83	302.44	17.15	349.92	19.54
	60	184.49	9.78	210.65	11.33	243.78	12.94	273.29	15.20	302.44	17.60	349.92	20.09
	65	184.49	10.13	210.65	11.77	243.78	13.45	273.29	15.82	302.44	18.31	349.92	21.06
	70	184.49	10.22	210.65	11.87	243.78	13.60	273.29	16.02	302.44	18.58	349.92	21.67
	75	184.49	10.48	210.65	12.19	243.78	14.09	273.29	17.04	302.44	20.28	349.92	23.89
	80	184.49	11.02	210.65	13.12	243.78	15.36	273.29	18.63	302.44	22.25	349.92	26.25
	85	184.49	11.96	210.65	14.27	243.78	16.73	273.29	20.37	302.44	24.31	349.92	28.80
	90	184.49	12.96	210.65	15.50	243.78	18.20	273.29	22.22	302.44	26.57	349.92	31.48
	95	184.49	14.02	210.65	16.80	243.78	19.73	273.29	24.07	302.44	28.98	349.92	34.26
	100	184.49	15.17	210.65	18.20	243.78	21.47	273.29	26.20	302.44	31.60	349.92	37.50
	105	184.49	16.54	210.65	19.92	243.78	23.56	273.29	28.83	302.44	34.75	349.92	41.17
	110	184.49	18.30	210.65	22.07	243.78	26.17	273.29	32.04	302.44	38.80	343.03	46.11
115	184.49	20.19	210.65	24.49	243.78	29.01	273.29	35.74	302.44	44.81	329.52	48.52	
118	184.49	21.40	210.65	25.96	243.78	30.75	245.96	34.10	271.74	41.71	272.85	44.23	
60%	25	158.49	7.49	180.64	8.50	208.92	9.56	233.24	11.05	259.39	12.63	300.05	14.29
	30	158.49	7.61	180.64	8.65	208.92	9.74	233.24	11.28	259.39	12.90	300.05	14.59
	35	158.49	7.74	180.64	8.82	208.92	9.94	233.24	11.52	259.39	13.19	300.05	14.94
	40	158.49	7.87	180.64	8.98	208.92	10.14	233.24	11.76	259.39	13.48	300.05	15.28
	45	158.49	8.02	180.64	9.16	208.92	10.35	233.24	12.03	259.39	13.80	300.05	15.65
	50	158.49	8.17	180.64	9.35	208.92	10.57	233.24	12.30	259.39	14.12	300.05	16.02
	55	158.49	8.33	180.64	9.54	208.92	10.81	233.24	12.58	259.39	14.47	300.05	16.44
	60	158.49	8.50	180.64	9.75	208.92	11.06	233.24	12.89	259.39	14.83	300.05	16.86
	65	158.49	8.80	180.64	10.10	208.92	11.48	233.24	13.41	259.39	15.45	300.05	17.56
	70	158.49	8.87	180.64	10.20	208.92	11.60	233.24	13.56	259.39	15.62	300.05	17.78
	75	158.49	9.07	180.64	10.45	208.92	11.88	233.24	14.00	259.39	16.54	300.05	19.26
	80	158.49	9.38	180.64	11.01	208.92	12.74	233.24	15.29	259.39	18.09	300.05	21.11
	85	158.49	10.13	180.64	11.94	208.92	13.86	233.24	16.66	259.39	19.76	300.05	23.06
	90	158.49	10.94	180.64	12.93	208.92	15.04	233.24	18.11	259.39	21.50	300.05	25.14
	95	158.49	11.83	180.64	14.00	208.92	16.31	233.24	19.63	259.39	23.43	300.05	27.41
	100	158.49	12.77	180.64	15.14	208.92	17.67	233.24	21.43	259.39	25.53	300.05	29.95
	105	158.49	13.88	180.64	16.51	208.92	19.34	233.24	23.39	259.39	28.02	300.05	32.84
	110	158.49	15.31	180.64	18.27	208.92	21.36	233.24	25.93	259.39	31.11	300.05	36.67
115	158.49	16.87	180.64	20.19	208.92	23.64	233.24	28.89	259.39	34.63	300.05	40.74	
118	158.49	17.88	180.64	21.40	208.92	25.06	233.24	30.62	238.64	33.77	272.85	39.16	
50%	25	131.63	6.46	150.48	7.22	174.16	8.03	195.00	9.17	215.90	10.38	249.49	11.66
	30	131.63	6.54	150.48	7.33	174.16	8.16	195.00	9.35	215.90	10.58	249.49	11.89
	35	131.63	6.64	150.48	7.46	174.16	8.32	195.00	9.53	215.90	10.81	249.49	12.16
	40	131.63	6.74	150.48	7.59	174.16	8.48	195.00	9.70	215.90	11.04	249.49	12.43
	45	131.63	6.85	150.48	7.73	174.16	8.64	195.00	9.92	215.90	11.28	249.49	12.69
	50	131.63	6.96	150.48	7.87	174.16	8.80	195.00	10.13	215.90	11.52	249.49	12.96
	55	131.63	7.10	150.48	8.02	174.16	8.99	195.00	10.32	215.90	11.79	249.49	13.33
	60	131.63	7.22	150.48	8.17	174.16	9.18	195.00	10.57	215.90	12.06	249.49	13.63
	65	131.63	7.46	150.48	8.44	174.16	9.50	195.00	10.99	215.90	12.59	249.49	14.06
	70	131.63	7.52	150.48	8.53	174.16	9.60	195.00	11.09	215.90	12.66	249.49	13.89
	75	131.63	7.67	150.48	8.71	174.16	9.67	195.00	10.96	215.90	12.80	249.49	14.63
	80	131.63	7.75	150.48	8.90	174.16	10.13	195.00	11.94	215.90	13.94	249.49	15.97
	85	131.63	8.30	150.48	9.60	174.16	10.98	195.00	12.94	215.90	15.21	249.49	17.31
	90	131.63	8.93	150.48	10.37	174.16	11.88	195.00	14.00	215.90	16.44	249.49	18.80
	95	131.63	9.65	150.48	11.20	174.16	12.89	195.00	15.19	215.90	17.87	249.49	20.56
	100	131.63	10.37	150.48	12.09	174.16	13.88	195.00	16.67	215.90	19.47	249.49	22.41
	105	131.63	11.22	150.48	13.10	174.16	15.11	195.00	17.96	215.90	21.30	249.49	24.51
	110	131.63	12.33	150.48	14.47	174.16	16.54	195.00	19.81	215.90	23.43	249.49	27.22
115	131.63	13.56	150.48	15.89	174.16	18.27	195.00	22.04	215.90	24.44	249.49	32.96	
118	131.63	14.37	150.48	16.84	174.16	19.37	195.00	23.36	215.90	25.91	249.49	34.94	

NOTE - Power Input = Compressor + Outdoor Fan Motor.  
MBH = 1000 BTUs per hour.

## HEATING CAPACITY - THREE MODULE - VRA408H4

Combination (%)	Outdoor Temperature (°F)		Indoor Temperature - °F Dry Bulb											
			61		64		67		70		73		75	
	Dry Bulb	Wet Bulb	Total Cap. MBH	Power Input kW	Total Cap. MBH	Power Input kW	Total Cap. MBH	Power Input kW	Total Cap. MBH	Power Input kW	Total Cap. MBH	Power Input kW	Total Cap. MBH	Power Input kW
130%	-13	-13	174.33	22.77	173.68	24.26	173.20	25.55	172.56	26.81	171.98	27.97	171.71	28.75
	-8	-9	210.52	26.92	209.73	28.32	209.15	29.55	208.38	30.72	207.67	31.80	207.35	32.54
	-3	-4	240.40	31.62	239.50	32.86	238.83	33.95	237.95	34.98	237.14	35.92	236.78	36.57
	2	1	267.38	36.51	266.72	37.47	265.49	38.36	264.51	39.15	263.82	39.89	262.80	40.41
	7	6	289.30	39.43	288.98	40.07	287.86	40.67	286.60	41.18	285.93	41.69	284.92	42.05
	12	10	313.09	41.94	312.76	42.28	311.46	42.56	310.28	42.80	309.56	43.06	308.38	43.27
	17	15	339.48	43.41	339.13	43.42	337.63	43.43	336.47	43.45	336.32	43.46	336.02	43.46
	22	20	354.57	42.68	354.23	42.69	354.12	42.70	351.61	42.71	351.46	42.72	351.17	42.73
	27	24	376.81	41.82	376.72	41.83	376.13	41.84	374.21	41.85	373.67	41.86	373.25	41.86
	32	29	399.27	40.47	399.07	40.48	397.53	40.48	396.54	40.49	395.87	40.50	394.88	40.50
	37	34	425.38	38.82	424.46	38.82	423.33	38.83	422.70	38.84	422.06	38.84	421.24	38.85
	42	38	462.38	37.13	461.63	37.13	460.37	37.14	448.87	37.14	444.65	37.15	439.99	36.93
	47	43	499.07	35.39	487.76	35.40	476.44	35.40	465.13	35.41	458.35	35.41	452.00	35.20
	52	47	517.86	34.81	506.55	34.82	495.23	34.82	483.92	34.82	477.33	34.72	465.07	34.52
	57	52	541.35	34.13	530.04	34.14	518.72	34.14	507.41	34.15	494.20	33.95	479.68	33.64
	62	56	560.14	33.65	548.83	33.46	537.51	33.46	526.20	33.47	508.73	33.12	485.92	31.62
	67	61	580.43	33.07	569.17	32.88	557.92	32.69	543.65	32.70	511.50	30.84	485.92	29.21
	72	66	600.44	32.61	589.25	32.32	578.06	32.12	549.86	30.98	511.50	28.63	485.92	26.99
75	69	614.37	32.32	603.18	31.93	591.99	31.64	553.58	29.71	511.50	26.98	485.92	25.44	
120%	-13	-13	173.33	25.16	172.93	26.25	172.34	27.33	171.84	28.37	171.28	29.30	170.89	29.95
	-8	-9	209.31	29.16	208.82	30.20	208.11	31.21	207.51	32.19	206.83	33.04	206.35	33.63
	-3	-4	239.01	33.59	238.46	34.51	237.65	35.40	236.96	36.28	236.18	37.00	235.64	37.51
	2	1	265.39	38.04	264.95	38.77	264.34	39.47	263.92	40.20	262.35	40.73	262.02	41.13
	7	6	287.62	40.47	286.85	40.93	286.31	41.40	286.17	41.93	284.52	42.22	283.74	42.48
	12	10	311.18	42.49	310.51	42.69	310.20	42.91	309.84	43.20	308.03	43.33	307.35	43.51
	17	15	339.02	43.43	337.11	43.44	336.47	43.45	336.02	43.46	333.93	43.47	333.93	43.48
	22	20	354.12	42.69	352.24	42.70	351.61	42.71	351.17	42.72	350.48	42.73	349.10	42.74
	27	24	375.85	41.83	374.62	41.84	373.99	41.85	373.76	41.86	372.63	41.86	371.39	41.87
	32	29	397.61	40.48	396.80	40.49	396.42	40.49	396.09	40.50	394.01	40.51	393.89	40.51
	37	34	420.46	38.60	419.55	38.60	419.10	38.61	418.01	38.62	415.45	38.62	415.31	38.63
	42	38	446.29	36.70	443.70	36.71	443.49	36.71	442.60	36.72	428.71	36.72	425.41	36.73
	47	43	489.62	34.79	479.05	34.79	468.49	34.80	457.92	34.80	444.12	34.81	433.94	34.81
	52	47	508.61	34.41	498.05	34.42	487.49	34.42	476.92	34.42	461.69	34.43	438.85	34.36
	57	52	519.64	33.94	507.90	33.94	497.62	33.95	487.34	33.95	468.73	33.11	445.29	31.17
	62	56	538.17	33.56	526.40	33.56	514.68	33.57	503.15	33.42	468.73	30.75	445.29	28.97
	67	61	563.86	33.09	551.98	33.09	540.44	32.96	507.56	30.66	472.15	28.18	448.54	26.57
	72	66	585.52	32.61	574.07	32.50	542.97	30.52	507.56	28.21	472.15	25.96	448.54	24.50
75	69	599.45	32.33	587.32	32.14	544.49	29.06	507.56	26.74	472.15	24.63	448.54	23.26	
110%	-13	-13	172.37	27.04	171.98	28.08	171.38	28.92	170.89	29.87	170.39	30.54	169.93	31.06
	-8	-9	208.16	30.95	207.67	31.90	206.95	32.67	206.35	33.57	205.75	34.17	205.20	34.61
	-3	-4	237.70	35.18	237.14	35.99	236.33	36.66	235.64	37.47	234.96	37.95	234.32	38.30
	2	1	264.51	39.31	264.07	39.92	262.92	40.44	262.02	41.12	261.67	41.46	261.35	41.68
	7	6	286.44	41.30	286.24	41.70	285.23	42.03	283.74	42.52	283.68	42.64	283.57	42.73
	12	10	310.16	42.86	309.92	43.09	308.78	43.18	307.66	43.52	307.31	43.59	307.23	43.61
	17	15	338.92	43.44	338.92	43.45	337.21	43.46	336.35	43.47	335.90	43.48	335.90	43.49
	22	20	351.61	42.71	351.28	42.72	351.17	42.72	349.10	42.73	348.66	42.74	348.66	42.68
	27	24	374.21	41.84	373.96	41.85	373.46	41.86	371.39	41.87	371.16	41.87	370.94	41.74
	32	29	396.54	40.49	396.40	40.50	394.83	40.50	393.89	40.51	393.63	40.52	393.63	40.32
	37	34	413.28	38.61	412.37	38.61	411.27	38.62	410.65	38.62	409.89	38.63	408.01	38.38
	42	38	438.62	36.71	434.71	36.71	430.44	36.72	429.74	36.72	419.87	36.73	411.17	36.43
	47	43	467.12	34.80	457.58	34.80	450.54	34.80	440.95	34.81	430.91	34.81	411.17	33.65
	52	47	485.87	34.42	472.91	34.42	463.44	34.43	453.97	34.43	432.81	32.93	411.17	31.00
	57	52	505.60	33.94	496.13	33.95	486.66	33.95	465.27	32.54	432.81	29.89	411.17	28.17
	62	56	524.17	33.57	514.70	33.57	497.73	32.73	465.27	30.23	432.81	27.80	411.17	26.22
	67	61	547.38	33.09	530.19	32.28	497.73	29.97	465.27	27.71	432.81	25.52	411.17	24.09
	72	66	562.65	31.84	530.19	29.68	497.73	27.58	465.27	25.53	432.81	23.54	411.17	22.25
75	69	571.81	31.08	530.19	28.12	497.73	26.15	465.27	24.23	432.81	22.36	411.17	21.14	

NOTE - Power Input = Compressor + Outdoor Fan Motor.  
MBH = 1000 BTUs per hour.



# HEATING CAPACITY - THREE MODULE - VRA408H4

Combination (%)	Outdoor Temperature (°F)		Indoor Temperature - °F Dry Bulb											
			61		64		67		70		73		75	
	Dry Bulb	Wet Bulb	Total Cap. MBH	Power Input kW	Total Cap. MBH	Power Input kW	Total Cap. MBH	Power Input kW	Total Cap. MBH	Power Input kW	Total Cap. MBH	Power Input kW	Total Cap. MBH	Power Input kW
100%	-13	-13	171.47	28.88	171.03	29.61	170.62	30.33	169.93	31.03	169.67	31.86	169.40	33.27
	-8	-9	207.06	32.66	206.53	33.32	206.03	34.00	205.20	34.59	204.87	35.42	204.55	36.99
	-3	-4	236.45	36.69	235.84	37.23	235.27	37.85	234.32	38.29	233.95	39.11	233.59	40.84
	2	1	262.51	40.52	262.14	40.91	261.83	41.43	261.35	41.67	259.93	42.46	259.74	43.69
	7	6	284.92	42.13	284.03	42.34	283.74	42.74	283.57	42.78	281.80	43.52	281.30	44.79
	12	10	308.38	43.31	307.84	43.28	307.46	43.52	307.23	43.46	305.46	44.14	304.86	45.42
	17	15	333.47	43.46	331.92	43.47	331.10	43.47	327.10	43.48	330.10	43.75	328.42	44.02
	22	20	351.17	43.06	349.62	43.06	348.80	43.06	348.66	43.07	348.51	42.83	348.21	42.85
	27	24	373.25	42.43	371.85	42.43	371.31	42.43	370.94	42.43	370.39	41.55	367.27	41.58
	32	29	394.88	41.74	394.14	41.62	393.72	41.39	393.63	41.39	389.00	40.04	373.79	39.74
	37	34	411.86	40.35	410.95	40.24	410.51	40.01	408.80	39.78	392.06	38.02	373.79	37.63
	42	38	433.76	38.83	427.62	38.62	422.76	38.30	410.96	38.08	392.35	36.00	373.79	34.16
	<b>47</b>	<b>43</b>	<b>453.43</b>	<b>37.36</b>	<b>445.34</b>	<b>37.16</b>	<b>435.23</b>	<b>36.85</b>	<b>415.00</b>	<b>36.44</b>	<b>393.46</b>	<b>31.94</b>	<b>373.79</b>	<b>30.09</b>
	52	47	474.47	36.18	461.38	35.46	446.98	34.43	415.00	32.23	393.46	29.63	373.79	27.93
	57	52	493.39	34.98	474.28	33.85	452.48	31.67	415.00	29.28	393.46	26.95	373.79	25.43
	62	56	508.73	33.51	481.99	31.51	452.48	29.26	415.00	27.08	393.46	24.95	373.79	23.57
	67	61	511.50	30.94	481.99	28.86	452.48	26.84	415.00	24.87	393.46	22.94	373.79	21.69
	72	66	511.50	28.46	481.99	26.58	452.48	24.74	415.00	22.95	393.46	21.20	373.79	20.06
	75	69	511.50	26.98	481.99	25.21	452.48	23.48	415.00	21.80	393.46	20.16	373.79	19.09
	90%	-13	-13	169.44	31.77	168.93	32.57	168.49	33.36	168.23	34.14	167.58	34.85	167.41
-8		-9	204.61	35.93	204.00	36.65	203.47	37.39	203.15	38.05	202.38	38.75	202.16	40.69
-3		-4	232.35	40.36	231.65	40.95	231.05	41.63	230.68	42.11	229.81	42.78	229.56	44.68
2		1	259.38	44.57	258.26	45.00	257.56	45.57	257.30	45.84	256.69	46.45	256.22	47.31
7		6	280.82	47.14	279.76	47.15	279.24	47.16	278.40	47.17	278.03	47.19	277.61	47.19
12		10	301.85	45.75	301.76	45.76	300.56	45.77	299.40	45.78	299.18	45.79	298.97	45.79
17		15	330.67	43.73	330.67	43.74	329.29	43.75	328.14	43.75	328.14	43.76	328.14	43.77
22		20	340.53	42.73	340.53	42.74	340.25	42.66	340.11	42.51	342.48	42.38	334.54	42.29
27		24	363.26	41.87	361.07	41.87	360.65	41.70	360.38	41.41	352.17	41.13	336.41	40.95
32		29	385.80	40.51	378.11	40.51	375.16	40.26	373.50	39.84	354.11	39.44	336.41	39.17
37		34	407.46	38.62	395.63	38.63	390.45	38.30	380.67	37.76	354.11	36.22	336.41	34.34
42		38	427.53	36.72	413.01	36.73	399.40	36.33	380.67	34.86	354.11	32.18	336.41	30.44
47		43	447.85	35.61	426.22	34.81	407.23	33.27	380.67	30.73	354.11	28.28	336.41	26.68
52		47	452.54	34.43	433.79	33.02	407.23	30.65	380.67	28.35	354.11	26.12	336.41	24.66
57		52	460.35	32.13	433.79	29.97	407.23	27.86	380.67	25.81	354.11	23.81	336.41	22.51
62		56	460.35	29.85	433.79	27.87	407.23	25.94	380.67	24.05	354.11	22.21	336.41	21.01
67		61	460.35	27.37	433.79	25.58	407.23	23.83	380.67	22.13	354.11	20.46	336.41	19.38
72		66	460.35	25.23	433.79	23.60	407.23	22.01	380.67	20.46	354.11	18.94	336.41	17.95
75		69	460.35	23.94	433.79	22.41	407.23	20.92	380.67	19.46	354.11	18.03	336.41	17.10
80%		-13	-13	167.62	34.95	167.21	35.83	166.90	36.69	166.55	37.55	166.23	38.34	165.86
	-8	-9	202.42	39.52	201.92	40.31	201.54	41.13	201.11	41.85	200.73	42.63	200.29	44.53
	-3	-4	229.85	44.39	229.29	45.05	228.86	45.79	228.38	46.33	227.94	47.06	227.44	48.92
	2	1	256.05	48.63	255.77	49.09	255.28	49.72	254.69	50.01	254.30	50.68	253.92	51.92
	7	6	275.86	47.55	275.18	47.56	274.62	47.57	274.21	47.58	273.95	47.59	273.68	47.74
	12	10	293.80	46.03	293.28	46.04	293.11	46.05	292.81	46.06	292.30	46.06	291.20	46.07
	17	15	319.98	43.75	317.85	43.75	317.74	43.76	317.74	43.77	311.20	43.77	299.03	43.78
	22	20	338.56	42.67	334.33	42.54	327.29	42.42	326.86	42.30	314.39	42.18	299.03	42.10
	27	24	356.69	41.72	350.57	41.46	343.04	41.22	335.92	40.97	314.77	40.74	299.03	40.26
	32	29	374.17	40.29	364.36	39.92	353.86	39.56	338.38	39.20	314.77	36.94	299.03	35.15
	37	34	386.90	38.34	373.95	37.86	356.13	37.07	338.38	34.54	314.77	32.09	299.03	30.49
	42	38	393.51	36.38	375.61	35.36	356.13	32.97	338.38	30.63	314.77	28.36	299.03	26.89
	47	43	393.51	33.46	375.61	31.20	356.13	29.00	338.38	26.85	314.77	24.77	299.03	23.41
	52	47	393.51	30.83	375.61	28.78	356.13	26.77	338.38	24.82	314.77	22.92	299.03	21.68
	57	52	393.51	28.02	375.61	26.18	356.13	24.40	338.38	22.65	314.77	20.95	299.03	19.84
	62	56	393.51	26.08	375.61	24.39	356.13	22.75	338.38	21.14	314.77	19.58	299.03	18.55
	67	61	393.51	23.96	375.61	22.44	356.13	20.95	338.38	19.50	314.77	18.07	299.03	17.14
	72	66	393.51	22.13	375.61	20.74	356.13	19.39	338.38	18.06	314.77	16.77	299.03	15.92
	75	69	393.51	21.03	375.61	19.73	356.13	18.45	338.38	17.20	314.77	15.98	299.03	15.18

NOTE - Power Input = Compressor + Outdoor Fan Motor.  
 MBH = 1000 BTUs per hour.

# HEATING CAPACITY - THREE MODULE - VRA408H4

Combination (%)	Outdoor Temperature (°F)		Indoor Temperature - °F Dry Bulb											
			61		64		67		70		73		75	
	Dry Bulb	Wet Bulb	Total Cap. MBH	Power Input kW	Total Cap. MBH	Power Input kW	Total Cap. MBH	Power Input kW	Total Cap. MBH	Power Input kW	Total Cap. MBH	Power Input kW	Total Cap. MBH	Power Input kW
70%	-13	-13	165.91	38.53	165.65	39.27	165.25	40.03	164.88	40.75	164.62	41.41	164.45	41.89
	-8	-9	200.34	42.96	200.03	43.64	199.55	44.37	199.10	44.94	198.78	45.62	198.57	47.68
	-3	-4	227.50	47.60	227.14	48.16	226.60	48.84	226.09	49.22	225.73	49.89	225.49	50.82
	2	1	253.51	50.21	253.22	50.59	252.74	51.17	252.14	51.28	253.29	51.90	251.25	52.54
	7	6	272.99	49.62	272.80	49.63	272.48	49.64	271.23	49.65	267.84	49.66	261.65	49.66
	12	10	295.07	47.68	290.88	47.68	289.87	47.69	287.59	47.70	275.42	47.71	261.65	47.71
	17	15	312.67	44.68	308.01	44.68	302.74	44.69	296.08	44.69	275.42	44.70	261.65	44.70
	22	20	327.50	42.40	319.67	42.29	311.93	42.19	296.08	42.09	275.42	41.89	261.65	40.05
	27	24	339.82	41.17	328.18	40.96	313.83	40.76	296.08	39.89	275.42	37.33	261.65	35.67
	32	29	345.53	39.50	329.61	39.19	313.83	37.16	296.08	34.82	275.42	32.54	261.65	31.06
	37	34	345.53	36.64	329.61	34.44	313.83	32.29	296.08	30.20	275.42	28.16	261.65	26.83
	42	38	345.53	32.57	329.61	30.54	313.83	28.55	296.08	26.61	275.42	24.72	261.65	23.49
	47	43	345.53	28.64	329.61	26.76	313.83	24.94	296.08	23.15	275.42	21.41	261.65	20.28
	52	47	345.53	26.45	329.61	24.74	313.83	23.08	296.08	21.45	275.42	19.87	261.65	18.83
	57	52	345.53	24.10	329.61	22.58	313.83	21.09	296.08	19.63	275.42	18.20	261.65	17.27
	62	56	345.53	22.48	329.61	21.08	313.83	19.71	296.08	18.36	275.42	17.05	261.65	16.19
	67	61	345.53	20.71	329.61	19.44	313.83	18.19	296.08	16.97	275.42	15.78	261.65	15.00
72	66	345.53	19.17	329.61	18.01	313.83	16.87	296.08	15.76	275.42	14.67	261.65	13.95	
75	69	345.53	18.24	329.61	17.15	313.83	16.08	296.08	15.03	275.42	14.00	261.65	13.33	
60%	-13	-13	162.59	41.85	162.34	41.87	161.95	41.88	161.58	41.90	161.33	41.91	161.16	41.92
	-8	-9	192.39	45.02	190.05	45.03	187.64	45.05	185.14	45.06	183.03	45.07	181.27	45.08
	-3	-4	224.47	46.68	219.72	46.69	214.97	46.70	209.99	46.72	205.74	46.73	202.15	46.73
	2	1	257.56	48.46	250.12	48.47	242.76	48.48	235.02	48.49	228.38	48.50	222.76	48.51
	7	6	281.46	49.64	272.17	49.65	263.00	49.66	252.57	49.67	241.52	49.68	233.07	49.68
	12	10	288.47	47.70	278.02	47.70	266.21	47.71	253.78	47.72	241.73	47.72	230.78	47.73
	17	15	293.69	45.00	281.51	44.38	268.01	44.39	253.78	44.39	240.74	43.15	228.70	41.21
	22	20	297.93	42.74	284.76	42.06	271.11	41.36	253.78	39.02	236.08	36.75	224.27	35.11
	27	24	299.16	40.66	285.16	39.03	271.49	36.86	253.78	34.74	236.08	32.68	224.27	31.22
	32	29	299.16	36.04	285.16	34.05	271.49	32.12	253.78	30.23	236.08	28.39	224.27	27.10
	37	34	299.16	31.29	285.16	29.51	271.49	27.78	253.78	26.08	236.08	24.43	224.27	23.29
	42	38	299.16	27.62	285.16	25.98	271.49	24.37	253.78	22.80	236.08	21.26	224.27	20.23
	47	43	306.90	24.36	289.19	22.83	271.49	21.33	253.78	19.87	236.08	18.44	224.27	17.50
	52	47	306.90	22.30	289.19	20.92	271.49	19.57	253.78	18.25	236.08	16.95	224.27	16.10
	57	52	306.90	20.39	289.19	19.15	271.49	17.94	253.78	16.75	236.08	15.58	224.27	14.82
	62	56	306.90	19.06	289.19	17.92	271.49	16.80	253.78	15.70	236.08	14.63	224.27	13.92
	67	61	306.90	17.61	289.19	16.57	271.49	15.55	253.78	14.55	236.08	13.57	224.27	12.93
72	66	306.90	16.34	289.19	15.39	271.49	14.46	253.78	13.55	236.08	12.65	224.27	12.06	
75	69	306.90	15.58	289.19	14.69	271.49	13.81	253.78	12.95	236.08	12.10	224.27	11.54	
50%	-13	-13	159.34	41.89	159.09	41.91	158.71	41.92	158.35	41.93	158.06	41.94	155.62	41.95
	-8	-9	184.58	45.06	182.03	45.07	179.36	45.08	176.72	45.09	174.13	45.11	170.46	45.11
	-3	-4	211.43	46.71	206.22	46.72	200.91	46.73	195.62	46.74	190.38	46.75	182.47	46.76
	2	1	231.48	48.49	223.55	48.50	215.54	48.51	207.55	48.51	196.73	48.52	186.89	48.53
	7	6	242.81	49.67	232.40	49.67	221.94	49.68	211.48	49.69	196.73	49.69	186.89	49.70
	12	10	249.43	47.71	236.80	47.72	224.14	47.73	211.48	47.56	196.73	44.50	186.89	42.27
	17	15	255.75	44.52	240.99	43.89	226.24	41.50	211.48	38.72	196.73	36.21	186.89	34.17
	22	20	255.75	39.51	240.99	37.49	226.24	35.46	211.48	33.06	196.73	30.49	186.89	28.81
	27	24	255.75	34.97	240.99	33.25	226.24	31.32	211.48	29.24	196.73	27.01	186.89	25.56
	32	29	255.75	30.44	240.99	28.89	226.24	27.18	211.48	25.42	196.73	23.53	186.89	22.30
	37	34	255.75	26.27	240.99	24.88	226.24	23.36	211.48	21.89	196.73	20.30	186.89	19.26
	42	38	255.75	22.97	240.99	21.69	226.24	20.42	211.48	19.04	196.73	17.70	186.89	16.81
	47	43	255.75	20.09	240.99	18.89	226.24	17.70	211.48	16.55	196.73	15.41	186.89	14.67
	52	47	255.75	18.39	240.99	17.31	226.24	16.24	211.48	15.20	196.73	14.18	186.89	13.50
	57	52	255.75	16.88	240.99	15.90	226.24	14.94	211.48	14.00	196.73	13.08	186.89	12.47
	62	56	255.75	15.82	240.99	14.92	226.24	14.04	211.48	13.17	196.73	12.31	186.89	11.75
	67	61	255.75	14.66	240.99	13.84	226.24	13.04	211.48	12.24	196.73	11.46	186.89	10.95
72	66	255.75	13.65	240.99	12.90	226.24	12.16	211.48	11.43	196.73	10.72	186.89	10.25	
75	69	255.75	13.04	240.99	12.33	226.24	11.64	211.48	10.95	196.73	10.27	186.89	9.83	

NOTE - Power Input = Compressor + Outdoor Fan Motor.  
MBH = 1000 BTUs per hour.

## COOLING CAPACITY - THREE MODULE - VRA432H4

Combination (%)	Outdoor Temperature °F (Dry Bulb)	Indoor Temperature - °F (Dry Bulb / Wet Bulb)											
		67 / 57		71 / 60		75 / 63		80 / 67		85 / 71		90 / 75	
		Total Cap.	Power Input	Total Cap.	Power Input	Total Cap.	Power Input	Total Cap.	Power Input	Total Cap.	Power Input	Total Cap.	Power Input
		MBH	kW	MBH	kW	MBH	kW	MBH	kW	MBH	kW	MBH	kW
130%	25	363.61	16.21	414.86	19.17	478.80	22.30	520.56	26.61	534.17	28.14	555.09	26.91
	30	363.61	16.57	414.86	19.66	478.80	22.85	520.56	27.15	534.17	28.00	555.09	26.77
	35	363.61	16.96	414.86	20.12	478.80	23.38	520.56	27.81	534.17	27.77	555.09	26.58
	40	363.61	17.35	414.86	20.57	478.80	23.92	520.56	28.48	534.17	27.53	555.09	26.39
	45	363.61	17.79	414.86	21.11	478.80	24.56	520.56	28.38	534.17	27.29	555.09	26.11
	50	363.61	18.23	414.86	21.64	478.80	25.19	520.56	28.29	534.17	27.06	555.09	25.82
	55	363.61	18.70	414.86	22.26	478.80	25.88	513.33	28.05	526.67	27.01	547.59	26.44
	60	363.61	19.18	414.86	22.81	473.80	26.55	501.94	28.38	513.80	28.24	534.54	28.57
	65	363.61	19.94	414.86	23.96	468.98	28.50	494.72	30.71	506.30	31.47	527.04	31.85
	70	363.61	20.51	414.86	25.49	462.87	30.19	483.89	31.90	497.13	32.37	517.87	32.66
	75	363.61	22.40	414.86	27.96	457.87	32.47	476.39	33.99	489.81	34.46	510.37	34.74
	80	363.61	24.73	414.86	30.71	449.17	34.73	463.33	36.07	476.76	36.41	497.31	36.88
	85	363.61	26.96	414.86	33.65	444.35	37.15	457.78	38.07	469.26	38.54	489.81	39.02
	90	363.61	29.48	409.44	36.77	433.24	39.62	443.06	40.20	456.39	40.68	476.76	41.15
	95	367.50	32.09	408.13	39.06	430.37	41.64	442.22	42.15	453.70	42.72	474.26	42.91
	100	367.50	35.17	402.50	41.44	422.87	43.78	434.72	44.24	446.85	44.38	468.70	44.38
	105	367.50	38.67	394.17	44.13	411.76	46.20	422.50	46.39	433.89	46.39	448.15	46.39
	110	367.50	43.10	381.67	47.51	397.13	48.98	403.89	48.98	412.59	48.98	419.44	48.98
115	365.83	49.36	370.83	49.36	372.50	49.49	372.50	49.55	374.26	49.65	378.89	49.74	
118	314.62	45.00	318.92	45.00	320.35	45.12	320.35	45.17	321.86	45.26	325.84	45.35	
120%	25	331.11	14.86	379.03	17.55	437.59	20.35	491.94	24.14	521.67	27.90	544.63	27.80
	30	331.11	15.19	379.03	17.95	437.59	20.85	491.94	24.68	521.67	28.10	544.63	27.53
	35	331.11	15.54	379.03	18.37	437.59	21.31	491.94	25.35	521.67	28.15	544.63	27.34
	40	331.11	15.89	379.03	18.78	437.59	21.77	491.94	26.01	521.67	28.19	544.63	27.15
	45	331.11	16.28	379.03	19.31	437.59	22.40	491.94	26.68	521.67	28.00	544.63	26.96
	50	331.11	16.67	379.03	19.83	437.59	23.04	491.94	27.34	521.67	27.81	544.63	26.77
	55	331.11	17.10	379.03	20.29	437.59	23.54	491.94	28.05	515.46	27.62	538.43	26.82
	60	331.11	17.53	379.03	20.83	437.59	24.21	488.33	28.57	501.48	28.24	524.07	28.38
	65	331.11	18.27	379.03	21.76	437.59	25.58	480.83	29.95	495.28	31.00	517.87	31.66
	70	331.11	18.49	379.03	22.71	437.59	27.40	471.94	31.71	484.81	32.18	507.41	32.47
	75	331.11	20.13	379.03	24.97	437.59	30.12	464.44	33.80	478.80	34.08	501.20	34.55
	80	331.11	22.07	379.03	27.41	429.07	33.05	451.67	35.88	464.63	36.22	486.85	36.50
	85	331.11	24.21	379.03	29.97	424.26	35.69	444.44	37.88	458.43	38.26	480.65	38.64
	90	331.11	26.34	379.03	32.75	415.74	38.05	431.67	39.87	444.26	40.30	466.30	40.77
	95	334.44	28.67	382.99	35.79	415.09	40.44	428.61	41.96	442.78	42.43	465.00	42.91
	100	334.44	31.28	382.99	39.11	410.28	43.02	423.06	44.05	435.93	44.38	458.15	44.38
	105	334.44	34.37	378.19	42.72	400.74	45.88	411.39	46.33	423.61	46.39	442.31	46.39
	110	334.44	38.35	370.69	46.33	391.11	48.98	396.39	48.98	406.39	48.98	415.83	48.98
115	325.28	42.72	357.99	47.70	368.89	49.49	368.89	49.55	371.85	49.65	378.89	49.74	
118	289.50	39.98	318.61	43.77	320.35	45.12	320.35	45.17	321.86	45.26	325.84	45.35	
110%	25	306.67	13.54	351.04	15.94	405.28	18.47	454.72	21.86	500.56	25.47	540.93	28.56
	30	306.67	13.82	351.04	16.29	405.28	18.87	454.72	22.40	500.56	26.01	540.93	28.29
	35	306.67	14.14	351.04	16.67	405.28	19.32	454.72	22.97	500.56	26.68	540.93	28.10
	40	306.67	14.45	351.04	17.05	405.28	19.77	454.72	23.54	500.56	27.34	540.93	27.91
	45	306.67	14.80	351.04	17.48	405.28	20.24	454.72	24.11	500.56	27.67	540.93	27.72
	50	306.67	15.15	351.04	17.91	405.28	20.71	454.72	24.68	500.56	28.00	540.93	27.53
	55	306.67	15.53	351.04	18.34	405.28	21.30	454.72	25.39	498.06	28.31	533.43	27.34
	60	306.67	15.92	351.04	18.86	405.28	21.87	454.72	26.11	493.70	28.53	520.19	28.10
	65	306.67	16.58	351.04	19.77	405.28	22.96	454.72	27.81	491.20	30.09	512.69	31.28
	70	306.67	16.78	351.04	20.14	405.28	24.05	454.72	30.00	481.94	31.90	503.24	32.28
	75	306.67	17.92	351.04	22.00	405.28	26.52	454.72	33.04	474.44	33.89	495.74	34.18
	80	303.61	19.56	347.57	24.18	401.30	29.08	444.44	35.55	456.76	35.98	477.69	36.31
	85	303.61	21.45	347.57	26.44	401.30	31.83	437.22	37.59	449.44	37.97	470.19	38.35
	90	303.61	23.35	347.57	28.91	400.00	34.87	424.44	39.63	436.39	40.11	457.13	40.39
	95	303.61	25.44	347.57	31.56	395.19	38.16	416.94	41.58	429.07	42.05	449.63	42.53
	100	303.61	27.62	347.57	34.32	391.48	41.07	411.67	43.72	423.52	44.17	444.07	44.38
	105	303.61	30.31	347.57	37.81	382.96	44.03	398.89	46.26	410.65	46.39	430.83	46.39
	110	303.61	33.80	347.57	42.20	374.81	47.66	382.50	48.98	392.04	48.98	401.11	48.98
115	303.61	37.59	347.57	46.42	364.07	49.49	365.00	49.55	369.07	49.65	375.00	49.74	
118	289.50	38.48	318.61	43.51	320.35	45.12	320.35	45.17	321.86	45.26	325.84	45.35	

NOTE - Power Input = Compressor + Outdoor Fan Motor.  
MBH = 1000 BTUs per hour.

## COOLING CAPACITY - THREE MODULE - VRA432H4

Combination (%)	Outdoor Temperature °F (Dry Bulb)	Indoor Temperature - °F (Dry Bulb / Wet Bulb)											
		67 / 57		71 / 60		75 / 63		80 / 67		85 / 71		90 / 75	
		Total Cap.	Power Input	Total Cap.	Power Input	Total Cap.	Power Input	Total Cap.	Power Input	Total Cap.	Power Input	Total Cap.	Power Input
		MBH	kW	MBH	kW	MBH	kW	MBH	kW	MBH	kW	MBH	kW
100%	25	269.72	12.27	308.47	14.37	356.02	16.56	400.00	19.58	457.50	22.81	511.39	26.09
	30	269.72	12.51	308.47	14.68	356.02	16.93	400.00	20.13	457.50	23.35	511.39	26.77
	35	269.72	12.79	308.47	15.02	356.02	17.33	400.00	20.60	457.50	23.92	511.39	27.44
	40	269.72	13.06	308.47	15.36	356.02	17.74	400.00	21.07	457.50	24.49	511.39	28.10
	45	269.72	13.38	308.47	15.73	356.02	18.21	400.00	21.64	457.50	25.16	511.39	28.29
	50	269.72	13.69	308.47	16.11	356.02	18.68	400.00	22.21	457.50	25.82	511.39	28.48
	55	269.72	14.01	308.47	16.51	356.02	19.14	400.00	22.74	457.50	26.53	507.69	28.24
	60	269.72	14.36	308.47	16.95	356.02	19.61	400.00	23.35	456.85	27.25	497.22	28.38
	65	269.72	14.95	308.47	17.66	356.02	20.46	400.00	24.25	454.35	29.10	491.02	30.38
	70	269.72	15.11	308.47	17.88	356.02	21.07	400.00	26.01	451.30	30.95	480.56	31.90
	75	269.72	15.83	308.47	19.34	356.02	23.16	400.00	28.67	448.89	33.61	474.63	33.99
	80	269.72	17.30	308.47	21.16	356.02	25.39	400.00	31.56	444.54	35.65	460.46	35.93
	85	269.72	18.89	308.47	23.16	356.02	27.75	400.00	34.65	440.83	37.69	454.35	38.07
	90	269.72	20.55	308.47	25.29	356.02	30.35	400.00	37.88	426.76	39.73	440.28	40.06
	95	269.72	22.40	308.47	27.53	356.02	33.16	400.00	41.39	420.56	41.86	434.07	42.15
	100	269.72	24.35	308.47	30.01	356.02	36.14	392.78	43.48	413.89	43.81	427.41	44.24
	105	269.72	26.64	308.47	33.00	354.54	39.81	381.94	45.88	401.48	46.29	415.00	46.39
	110	269.72	29.62	308.47	36.74	351.76	44.43	375.28	48.98	384.81	48.98	393.52	48.98
115	269.72	32.85	308.47	40.82	339.91	47.53	360.00	49.55	370.09	49.65	373.61	49.74	
118	269.72	34.82	271.46	38.08	299.12	43.55	316.80	45.17	321.86	45.26	325.84	45.35	
90%	25	242.78	11.04	277.57	12.86	321.39	14.76	360.83	17.42	399.35	20.22	461.20	23.19
	30	242.78	11.26	277.57	13.14	321.39	15.08	360.83	17.81	399.35	20.70	461.20	23.73
	35	242.78	11.50	277.57	13.43	321.39	15.43	360.83	18.24	399.35	21.17	461.20	24.30
	40	242.78	11.73	277.57	13.73	321.39	15.78	360.83	18.66	399.35	21.64	461.20	24.87
	45	242.78	12.00	277.57	14.05	321.39	16.17	360.83	19.11	399.35	22.21	461.20	25.44
	50	242.78	12.27	277.57	14.37	321.39	16.56	360.83	19.56	399.35	22.78	461.20	26.01
	55	242.78	12.55	277.57	14.72	321.39	16.98	360.83	20.08	399.35	23.40	461.20	26.72
	60	242.78	12.84	277.57	15.09	321.39	17.42	360.83	20.70	399.35	24.07	458.61	27.44
	65	242.78	13.35	277.57	15.72	321.39	18.16	360.83	21.45	399.35	25.23	456.57	29.71
	70	242.78	13.50	277.57	15.89	321.39	18.35	360.83	22.40	399.35	27.06	450.65	31.71
	75	242.78	13.88	277.57	16.83	321.39	19.99	360.83	24.68	399.35	29.81	445.83	33.80
	80	242.78	15.15	277.57	18.42	321.39	21.85	360.83	27.06	399.35	32.80	437.50	35.74
	85	242.78	16.51	277.57	20.08	321.39	23.92	360.83	29.62	397.59	35.79	430.93	37.78
	90	242.78	17.95	277.57	21.86	321.39	26.14	360.83	32.47	393.43	38.49	418.43	39.82
	95	242.78	19.56	277.57	23.83	321.39	28.42	360.83	35.31	391.02	41.30	411.20	41.77
	100	242.78	21.22	277.57	25.88	321.39	31.04	360.83	38.64	389.26	43.43	404.81	43.91
	105	242.78	23.23	277.57	28.40	321.39	34.09	360.83	42.53	382.31	45.98	391.02	46.33
	110	242.78	25.63	277.57	31.61	321.39	38.04	360.83	47.47	365.83	48.98	371.02	48.98
115	242.78	28.48	277.57	35.17	307.13	45.50	341.94	49.55	347.96	49.65	351.11	49.74	
118	242.78	30.19	271.46	36.49	267.20	41.96	297.49	45.17	302.73	45.26	305.47	45.35	
80%	25	216.11	9.87	246.94	11.41	285.74	13.03	319.72	15.30	354.81	17.69	409.63	20.15
	30	216.11	10.04	246.94	11.64	285.74	13.30	319.72	15.63	354.81	18.09	409.63	20.70
	35	216.11	10.25	246.94	11.89	285.74	13.60	319.72	16.00	354.81	18.51	409.63	21.17
	40	216.11	10.46	246.94	12.14	285.74	13.90	319.72	16.37	354.81	18.93	409.63	21.64
	45	216.11	10.68	246.94	12.42	285.74	14.23	319.72	16.77	354.81	19.43	409.63	22.21
	50	216.11	10.90	246.94	12.69	285.74	14.56	319.72	17.18	354.81	19.94	409.63	22.78
	55	216.11	11.14	246.94	13.00	285.74	14.92	319.72	17.61	354.81	20.43	409.63	23.31
	60	216.11	11.40	246.94	13.31	285.74	15.30	319.72	18.07	354.81	21.03	409.63	24.02
	65	216.11	11.83	246.94	13.84	285.74	15.93	319.72	18.85	354.81	21.91	409.63	25.30
	70	216.11	11.96	246.94	14.00	285.74	16.12	319.72	18.99	354.81	22.88	409.63	26.96
	75	216.11	12.27	246.94	14.54	285.74	17.09	319.72	20.88	354.81	25.16	409.63	29.81
	80	216.11	13.15	246.94	15.83	285.74	18.70	319.72	22.83	354.81	27.58	409.63	32.70
	85	216.11	14.30	246.94	17.24	285.74	20.38	319.72	25.06	354.81	30.24	409.63	35.88
	90	216.11	15.53	246.94	18.74	285.74	22.27	319.72	27.44	354.81	33.04	405.00	39.21
	95	216.11	16.84	246.94	20.44	285.74	24.18	319.72	29.81	354.81	36.07	398.89	41.39
	100	216.11	18.25	246.94	22.11	285.74	26.34	319.72	32.47	354.81	39.44	392.96	43.53
	105	216.11	19.94	246.94	24.25	285.74	28.90	319.72	35.69	353.24	43.42	383.61	45.95
	110	216.11	22.02	246.94	26.87	285.74	32.15	319.72	39.87	348.80	47.47	365.46	48.98
115	216.11	24.49	246.94	29.90	285.74	35.76	319.72	44.43	320.37	49.65	321.67	49.74	
118	216.11	25.96	246.94	31.70	267.20	36.96	278.16	40.71	278.72	45.26	279.85	45.35	

NOTE - Power Input = Compressor + Outdoor Fan Motor.  
MBH = 1000 BTUs per hour.

## COOLING CAPACITY - THREE MODULE - VRA432H4

Combination (%)	Outdoor Temperature °F (Dry Bulb)	Indoor Temperature - °F (Dry Bulb / Wet Bulb)											
		67 / 57		71 / 60		75 / 63		80 / 67		85 / 71		90 / 75	
		Total Cap.	Power Input	Total Cap.	Power Input	Total Cap.	Power Input	Total Cap.	Power Input	Total Cap.	Power Input	Total Cap.	Power Input
		MBH	kW	MBH	kW	MBH	kW	MBH	kW	MBH	kW	MBH	kW
70%	25	189.17	8.74	216.04	10.04	250.00	11.38	280.28	13.27	310.19	15.26	358.89	17.34
	30	189.17	8.90	216.04	10.23	250.00	11.61	280.28	13.54	310.19	15.60	358.89	17.73
	35	189.17	9.07	216.04	10.43	250.00	11.86	280.28	13.85	310.19	15.96	358.89	18.16
	40	189.17	9.23	216.04	10.64	250.00	12.11	280.28	14.16	310.19	16.33	358.89	18.59
	45	189.17	9.42	216.04	10.87	250.00	12.38	280.28	14.50	310.19	16.74	358.89	19.07
	50	189.17	9.61	216.04	11.10	250.00	12.65	280.28	14.83	310.19	17.14	358.89	19.56
	55	189.17	9.80	216.04	11.35	250.00	12.95	280.28	15.21	310.19	17.58	358.89	20.03
	60	189.17	10.02	216.04	11.61	250.00	13.26	280.28	15.59	310.19	18.04	358.89	20.60
	65	189.17	10.39	216.04	12.06	250.00	13.79	280.28	16.22	310.19	18.77	358.89	21.60
	70	189.17	10.48	216.04	12.17	250.00	13.94	280.28	16.42	310.19	19.05	358.89	22.21
	75	189.17	10.75	216.04	12.50	250.00	14.45	280.28	17.47	310.19	20.79	358.89	24.49
	80	189.17	11.30	216.04	13.45	250.00	15.75	280.28	19.10	310.19	22.81	358.89	26.91
	85	189.17	12.27	216.04	14.63	250.00	17.16	280.28	20.88	310.19	24.92	358.89	29.52
	90	189.17	13.29	216.04	15.89	250.00	18.66	280.28	22.78	310.19	27.25	358.89	32.28
	95	189.17	14.37	216.04	17.22	250.00	20.23	280.28	24.68	310.19	29.71	358.89	35.12
	100	189.17	15.55	216.04	18.66	250.00	22.01	280.28	26.87	310.19	32.40	358.89	38.45
	105	189.17	16.96	216.04	20.43	250.00	24.15	280.28	29.56	310.19	35.63	358.89	42.21
	110	189.17	18.76	216.04	22.63	250.00	26.83	280.28	32.85	310.19	39.78	351.85	47.28
115	189.17	20.70	216.04	25.11	250.00	29.75	280.28	36.64	310.19	45.95	337.96	49.74	
118	189.17	21.94	216.04	26.62	250.00	31.53	252.25	34.96	278.72	42.77	279.85	45.35	
60%	25	162.50	7.68	185.21	8.72	214.26	9.81	239.17	11.33	266.02	12.95	307.69	14.65
	30	162.50	7.80	185.21	8.87	214.26	9.99	239.17	11.56	266.02	13.22	307.69	14.96
	35	162.50	7.94	185.21	9.04	214.26	10.19	239.17	11.81	266.02	13.52	307.69	15.31
	40	162.50	8.07	185.21	9.21	214.26	10.40	239.17	12.06	266.02	13.82	307.69	15.66
	45	162.50	8.22	185.21	9.40	214.26	10.62	239.17	12.33	266.02	14.15	307.69	16.04
	50	162.50	8.37	185.21	9.58	214.26	10.83	239.17	12.61	266.02	14.48	307.69	16.42
	55	162.50	8.54	185.21	9.79	214.26	11.08	239.17	12.90	266.02	14.83	307.69	16.85
	60	162.50	8.71	185.21	10.00	214.26	11.33	239.17	13.21	266.02	15.20	307.69	17.29
	65	162.50	9.02	185.21	10.36	214.26	11.77	239.17	13.75	266.02	15.84	307.69	18.01
	70	162.50	9.09	185.21	10.46	214.26	11.89	239.17	13.90	266.02	16.01	307.69	18.23
	75	162.50	9.30	185.21	10.71	214.26	12.18	239.17	14.35	266.02	16.95	307.69	19.75
	80	162.50	9.62	185.21	11.28	214.26	13.07	239.17	15.67	266.02	18.55	307.69	21.64
	85	162.50	10.39	185.21	12.24	214.26	14.21	239.17	17.08	266.02	20.26	307.69	23.64
	90	162.50	11.22	185.21	13.26	214.26	15.42	239.17	18.57	266.02	22.05	307.69	25.77
	95	162.50	12.13	185.21	14.35	214.26	16.73	239.17	20.13	266.02	24.02	307.69	28.10
	100	162.50	13.09	185.21	15.53	214.26	18.12	239.17	21.98	266.02	26.18	307.69	30.71
	105	162.50	14.23	185.21	16.93	214.26	19.82	239.17	23.99	266.02	28.73	307.69	33.67
	110	162.50	15.70	185.21	18.73	214.26	21.90	239.17	26.58	266.02	31.90	307.69	37.59
115	162.50	17.30	185.21	20.70	214.26	24.24	239.17	29.62	266.02	35.50	307.69	41.77	
118	162.50	18.33	185.21	21.94	214.26	25.69	239.17	31.40	244.74	34.62	279.85	40.15	
50%	25	135.00	6.62	154.38	7.40	178.61	8.24	200.00	9.40	221.39	10.65	255.83	11.96
	30	135.00	6.70	154.38	7.51	178.61	8.37	200.00	9.59	221.39	10.85	255.83	12.19
	35	135.00	6.81	154.38	7.65	178.61	8.53	200.00	9.77	221.39	11.08	255.83	12.46
	40	135.00	6.91	154.38	7.78	178.61	8.69	200.00	9.95	221.39	11.32	255.83	12.74
	45	135.00	7.02	154.38	7.92	178.61	8.85	200.00	10.17	221.39	11.56	255.83	13.02
	50	135.00	7.14	154.38	8.06	178.61	9.02	200.00	10.39	221.39	11.81	255.83	13.29
	55	135.00	7.28	154.38	8.22	178.61	9.21	200.00	10.58	221.39	12.09	255.83	13.67
	60	135.00	7.40	154.38	8.38	178.61	9.41	200.00	10.84	221.39	12.36	255.83	13.97
	65	135.00	7.65	154.38	8.65	178.61	9.74	200.00	11.27	221.39	12.91	255.83	14.42
	70	135.00	7.71	154.38	8.75	178.61	9.84	200.00	11.37	221.39	12.98	255.83	14.24
	75	135.00	7.86	154.38	8.93	178.61	9.92	200.00	11.24	221.39	13.12	255.83	15.00
	80	135.00	7.95	154.38	9.12	178.61	10.38	200.00	12.25	221.39	14.29	255.83	16.38
	85	135.00	8.51	154.38	9.84	178.61	11.26	200.00	13.27	221.39	15.60	255.83	17.75
	90	135.00	9.15	154.38	10.63	178.61	12.18	200.00	14.35	221.39	16.85	255.83	19.27
	95	135.00	9.89	154.38	11.49	178.61	13.22	200.00	15.57	221.39	18.32	255.83	21.07
	100	135.00	10.63	154.38	12.39	178.61	14.23	200.00	17.09	221.39	19.96	255.83	22.97
	105	135.00	11.51	154.38	13.43	178.61	15.49	200.00	18.42	221.39	21.83	255.83	25.13
	110	135.00	12.64	154.38	14.84	178.61	16.96	200.00	20.32	221.39	24.02	255.83	27.91
115	135.00	13.90	154.38	16.29	178.61	18.73	200.00	22.59	221.39	25.06	255.83	33.80	
118	135.00	14.73	154.38	17.27	178.61	19.86	200.00	23.95	221.39	26.57	255.83	35.82	

NOTE - Power Input = Compressor + Outdoor Fan Motor.  
MBH = 1000 BTUs per hour.



## HEATING CAPACITY - THREE MODULE - VRA432H4

Combination (%)	Outdoor Temperature (°F)		Indoor Temperature - °F Dry Bulb											
			61		64		67		70		73		75	
	Dry Bulb	Wet Bulb	Total Cap. MBH	Power Input kW	Total Cap. MBH	Power Input kW	Total Cap. MBH	Power Input kW	Total Cap. MBH	Power Input kW	Total Cap. MBH	Power Input kW	Total Cap. MBH	Power Input kW
130%	-13	-13	183.15	23.44	182.51	25.17	181.91	26.73	181.14	28.16	180.56	29.49	180.17	30.40
	-8	-9	224.99	28.08	224.21	29.73	223.48	31.21	222.52	32.55	221.81	33.81	221.33	34.67
	-3	-4	255.27	33.09	254.39	34.53	253.56	35.83	252.47	37.00	251.66	38.12	251.12	38.88
	2	1	285.60	38.71	285.08	39.83	283.63	40.86	282.59	41.77	281.67	42.67	280.40	43.29
	7	6	308.66	41.44	308.66	42.16	307.43	42.83	305.70	43.41	305.09	44.04	303.86	44.49
	12	10	334.28	43.66	334.28	44.02	332.84	44.34	331.26	44.64	330.54	44.95	329.10	45.23
	17	15	359.61	44.91	359.61	44.92	357.56	44.93	356.54	44.94	356.54	44.95	356.54	44.96
	22	20	377.14	44.29	377.14	44.30	377.14	44.31	374.09	44.32	374.09	44.33	374.09	44.34
	27	24	399.39	43.41	399.39	43.42	398.89	43.43	396.39	43.44	396.14	43.45	395.64	43.45
	32	29	423.39	42.22	423.39	42.22	421.40	42.23	420.41	42.24	419.81	42.25	418.62	42.25
	37	34	450.61	40.23	449.50	40.23	448.13	40.24	447.64	40.25	447.14	40.25	446.15	40.26
	42	38	490.30	38.17	489.39	38.18	487.87	38.19	475.71	38.19	469.97	38.20	463.28	38.20
	47	43	527.22	36.24	515.26	36.25	503.31	36.25	491.36	36.26	484.20	36.26	476.16	36.27
	52	47	546.54	35.78	534.59	35.79	522.64	35.79	510.68	35.79	503.72	35.80	490.77	35.80
	57	52	570.69	35.20	558.74	35.20	546.79	35.21	534.84	35.21	522.89	35.22	509.77	35.22
	62	56	590.02	34.73	578.07	34.74	566.11	34.74	554.16	34.75	542.21	34.75	518.97	33.11
	67	61	614.17	34.15	602.22	34.16	590.27	34.16	578.32	34.16	546.28	32.17	518.97	30.29
	72	66	638.33	33.57	626.38	33.57	614.42	33.58	587.25	32.17	546.28	29.56	518.97	27.85
75	69	652.82	33.22	640.87	33.22	628.92	33.23	592.61	30.98	546.28	27.98	518.97	26.39	
120%	-13	-13	182.11	26.14	181.53	27.50	180.94	28.78	180.36	29.97	179.78	31.00	179.39	31.74
	-8	-9	223.71	30.66	223.00	31.93	222.28	33.14	221.57	34.25	220.85	35.20	220.38	35.89
	-3	-4	253.83	35.36	253.01	36.47	252.20	37.52	251.39	38.50	250.58	39.31	250.04	39.90
	2	1	283.27	40.49	282.86	41.35	282.45	42.18	282.04	42.97	280.12	43.59	279.85	44.04
	7	6	306.81	42.62	305.98	43.16	305.70	43.70	305.70	44.25	303.49	44.60	302.75	44.88
	12	10	332.12	44.24	331.48	44.50	331.26	44.77	331.26	45.05	328.81	45.21	328.24	45.44
	17	15	359.61	44.92	357.31	44.93	356.54	44.94	356.54	44.95	353.46	44.96	353.46	44.97
	22	20	377.14	44.31	374.85	44.32	374.09	44.32	374.09	44.33	373.08	44.34	371.05	44.35
	27	24	398.64	43.42	396.95	43.43	396.39	43.44	396.39	43.45	394.88	43.46	393.38	43.46
	32	29	421.60	42.23	420.71	42.23	420.41	42.24	420.41	42.25	417.43	42.25	417.43	42.26
	37	34	449.12	40.24	448.01	40.24	447.64	40.25	446.15	40.26	441.41	40.26	441.41	40.27
	42	38	472.90	38.18	472.90	38.19	472.90	38.19	471.72	38.20	455.66	38.20	451.06	38.21
	47	43	521.51	36.25	510.25	36.26	499.00	36.26	487.75	36.27	471.73	36.27	459.61	36.27
	52	47	541.22	35.79	529.96	35.79	518.71	35.80	507.46	35.80	491.24	35.80	464.77	35.80
	57	52	549.21	35.21	538.29	35.21	527.37	35.21	516.45	35.22	499.22	34.49	474.26	32.46
	62	56	568.34	34.74	557.42	34.74	546.50	34.75	535.58	34.75	499.22	32.01	474.26	30.15
	67	61	598.24	34.16	587.21	34.16	576.17	34.16	542.08	31.88	504.26	29.30	479.05	27.62
	72	66	622.39	33.57	611.36	33.58	579.90	31.70	542.08	29.29	504.26	26.95	479.05	25.43
75	69	636.88	33.22	625.85	33.23	582.14	30.22	542.08	27.74	504.26	25.54	479.05	24.12	
110%	-13	-13	181.14	28.47	180.56	29.60	179.97	30.57	179.39	31.65	178.81	32.42	178.42	33.03
	-8	-9	222.52	32.84	221.81	33.89	221.09	34.79	220.38	35.83	219.66	36.49	219.19	37.01
	-3	-4	252.47	37.27	251.66	38.16	250.85	38.94	250.04	39.88	249.23	40.39	248.69	40.80
	2	1	282.59	41.98	282.17	42.67	280.76	43.26	279.85	44.07	279.44	44.38	279.17	44.64
	7	6	305.70	43.57	305.70	44.02	304.47	44.39	302.75	44.98	302.75	45.04	302.75	45.14
	12	10	331.26	44.72	331.26	44.93	329.82	45.01	328.24	45.48	328.24	45.50	328.24	45.55
	17	15	360.14	44.94	360.14	44.95	358.07	44.95	357.03	44.96	357.03	44.97	357.03	44.98
	22	20	374.09	44.32	374.09	44.33	374.09	44.34	371.05	44.34	371.05	44.35	371.05	44.36
	27	24	396.39	43.43	396.39	43.44	395.89	43.45	393.38	43.46	393.38	43.46	393.38	43.47
	32	29	420.41	42.24	420.41	42.24	418.42	42.25	417.43	42.26	417.43	42.26	417.43	42.27
	37	34	438.86	40.25	437.77	40.25	436.43	40.26	435.94	40.26	435.46	40.27	434.49	40.27
	42	38	470.12	38.19	464.64	38.20	458.61	38.20	458.03	38.21	447.53	38.21	439.13	38.21
	47	43	500.30	36.26	490.08	36.26	479.87	36.27	469.66	36.27	459.44	36.28	439.13	35.06
	52	47	519.82	35.79	504.56	35.80	494.44	35.80	484.33	35.81	462.24	34.31	439.13	32.30
	57	52	538.82	35.21	528.71	35.22	518.60	35.22	496.91	33.89	462.24	31.13	439.13	29.34
	62	56	558.15	34.75	548.03	34.75	531.57	34.07	496.91	31.46	462.24	28.93	439.13	27.28
	67	61	582.30	34.16	566.24	33.57	531.57	31.16	496.91	28.81	462.24	26.53	439.13	25.04
	72	66	600.91	33.06	566.24	30.82	531.57	28.63	496.91	26.51	462.24	24.44	439.13	23.09
75	69	612.08	32.40	566.24	29.17	531.57	27.12	496.91	25.13	462.24	23.18	439.13	21.92	

NOTE - Power Input = Compressor + Outdoor Fan Motor.  
MBH = 1000 BTUs per hour.

# HEATING CAPACITY - THREE MODULE - VRA432H4

Combination (%)	Outdoor Temperature (°F)		Indoor Temperature - °F Dry Bulb											
			61		64		67		70		73		75	
	Dry Bulb	Wet Bulb	Total Cap. MBH	Power Input kW	Total Cap. MBH	Power Input kW	Total Cap. MBH	Power Input kW	Total Cap. MBH	Power Input kW	Total Cap. MBH	Power Input kW	Total Cap. MBH	Power Input kW
100%	-13	-13	179.97	30.51	179.54	31.33	179.00	32.16	178.42	32.95	178.03	33.68	177.65	35.37
	-8	-9	221.09	34.77	220.56	35.51	219.90	36.31	219.19	36.94	218.71	37.69	218.23	39.57
	-3	-4	250.85	38.96	250.24	39.58	249.50	40.33	248.69	40.73	248.15	41.47	247.61	43.54
	2	1	280.26	43.36	279.95	43.80	279.58	44.46	279.17	44.60	277.39	45.31	277.11	46.62
	7	6	303.86	44.51	303.03	44.74	302.75	45.25	302.75	45.13	300.53	45.80	299.80	47.13
	12	10	329.10	45.20	328.45	45.14	328.24	45.45	328.24	45.25	325.79	45.85	325.21	47.18
	17	15	352.79	44.95	350.51	44.96	349.75	44.97	344.08	44.98	348.73	44.98	346.71	44.99
	22	20	374.09	44.83	371.81	44.83	371.05	44.83	371.05	44.83	371.05	44.36	371.05	44.37
	27	24	395.64	44.29	393.95	44.29	393.38	44.29	393.38	44.29	392.63	43.47	392.63	43.48
	32	29	418.62	43.55	417.73	43.55	417.43	43.55	417.43	43.55	415.25	42.27	399.21	42.27
	37	34	437.40	41.97	436.31	41.97	435.94	41.97	434.49	41.97	418.15	40.27	399.21	40.28
	42	38	460.30	40.20	451.53	40.20	447.15	40.20	435.63	40.20	418.58	38.22	399.21	36.21
	<b>47</b>	<b>43</b>	<b>481.42</b>	<b>38.68</b>	<b>470.00</b>	<b>38.68</b>	<b>461.02</b>	<b>38.68</b>	<b>440.00</b>	<b>38.68</b>	<b>420.22</b>	<b>33.29</b>	<b>399.21</b>	<b>31.35</b>
	52	47	503.24	37.33	489.54	36.72	475.54	35.81	440.00	33.39	420.22	30.69	399.21	28.93
	57	52	522.89	36.14	503.42	35.22	483.25	32.79	440.00	30.31	420.22	27.90	399.21	26.33
	62	56	542.21	34.75	514.77	32.79	483.25	30.45	440.00	28.18	420.22	25.96	399.21	24.52
	67	61	546.28	32.17	514.77	30.01	483.25	27.90	440.00	25.85	420.22	23.85	399.21	22.54
	72	66	546.28	29.56	514.77	27.60	483.25	25.68	440.00	23.82	420.22	22.00	399.21	20.82
	75	69	546.28	27.98	514.77	26.15	483.25	24.35	440.00	22.60	420.22	20.90	399.21	19.78
	90%	-13	-13	177.99	33.56	177.55	34.46	177.02	35.37	176.64	36.24	176.12	37.05	175.87
-8		-9	218.65	38.24	218.12	39.06	217.47	39.94	216.99	40.64	216.36	41.46	216.05	43.53
-3		-4	248.08	42.86	247.48	43.54	246.74	44.36	246.20	44.81	245.48	45.62	245.13	47.90
2		1	278.83	47.69	277.40	48.18	276.65	48.91	276.37	49.06	275.86	49.84	275.38	50.76
7		6	302.67	50.23	301.29	50.24	300.83	50.25	299.72	50.26	299.54	50.27	299.17	50.28
12		10	324.66	47.95	324.66	47.95	323.24	47.96	321.67	47.97	321.67	47.98	321.67	47.99
17		15	352.82	44.97	352.82	44.97	350.77	44.98	349.75	44.99	349.75	45.00	349.75	45.00
22		20	365.78	44.35	365.78	44.35	365.78	44.36	365.78	44.37	368.55	44.37	359.29	44.38
27		24	387.99	43.46	387.99	43.46	387.49	43.47	387.25	43.48	378.20	43.48	359.29	43.49
32		29	409.99	42.26	401.95	42.26	400.04	42.27	399.08	42.27	378.20	42.28	359.29	42.28
37		34	431.75	40.26	418.13	40.27	414.97	40.27	406.56	40.28	378.20	38.78	359.29	36.50
42		38	452.75	38.21	438.03	38.21	425.68	38.21	406.56	37.00	378.20	33.98	359.29	32.02
47		43	478.42	37.00	455.20	36.28	434.92	34.66	406.56	32.03	378.20	29.46	359.29	27.80
52		47	482.80	35.81	463.29	34.40	434.92	31.94	406.56	29.54	378.20	27.21	359.29	25.70
57		52	491.65	33.47	463.29	31.21	434.92	29.01	406.56	26.87	378.20	24.79	359.29	23.43
62		56	491.65	31.07	463.29	29.00	434.92	26.99	406.56	25.02	378.20	23.11	359.29	21.86
67		61	491.65	28.46	463.29	26.59	434.92	24.77	406.56	23.00	378.20	21.26	359.29	20.13
72		66	491.65	26.19	463.29	24.50	434.92	22.84	406.56	21.23	378.20	19.65	359.29	18.63
75		69	491.65	24.83	463.29	23.24	434.92	21.69	406.56	20.17	378.20	18.69	359.29	17.72
80%		-13	-13	176.02	36.92	175.74	37.91	175.38	38.91	174.87	39.87	174.55	40.75	174.30
	-8	-9	216.24	42.07	215.89	42.96	215.45	43.94	214.82	44.70	214.43	45.60	214.12	47.88
	-3	-4	245.34	47.15	244.94	47.89	244.45	48.79	243.74	49.29	243.29	50.18	242.94	52.69
	2	1	275.02	52.46	274.82	53.00	274.37	53.80	273.61	53.96	273.14	54.83	272.76	56.42
	7	6	295.54	50.25	294.72	50.26	294.21	50.27	293.73	50.28	293.43	50.29	293.18	50.30
	12	10	312.85	47.96	312.23	47.97	312.02	47.98	312.02	47.99	311.33	48.00	309.83	48.00
	17	15	335.76	44.98	335.76	44.99	335.76	44.99	335.76	45.00	328.08	45.01	319.36	45.01
	22	20	357.60	44.36	355.40	44.36	347.71	44.37	347.71	44.38	336.17	44.38	319.36	44.39
	27	24	374.96	43.47	369.72	43.47	364.63	43.48	357.77	43.49	336.17	43.49	319.36	43.02
	32	29	394.70	42.27	385.29	42.27	376.58	42.28	361.39	42.28	336.17	39.45	319.36	37.15
	37	34	410.03	40.27	398.57	40.28	379.92	39.80	361.39	36.75	336.17	33.79	319.36	31.87
	42	38	419.76	38.21	401.00	37.57	379.92	34.87	361.39	32.24	336.17	29.68	319.36	28.02
	47	43	419.76	34.86	401.00	32.51	379.92	30.22	361.39	27.98	336.17	25.81	319.36	24.39
	52	47	419.76	32.12	401.00	29.98	379.92	27.90	361.39	25.86	336.17	23.88	319.36	22.59
	57	52	419.76	29.18	401.00	27.27	379.92	25.40	361.39	23.58	336.17	21.81	319.36	20.65
	62	56	419.76	27.14	401.00	25.38	379.92	23.67	361.39	22.00	336.17	20.36	319.36	19.30
	67	61	419.76	24.91	401.00	23.32	379.92	21.77	361.39	20.26	336.17	18.78	319.36	17.81
	72	66	419.76	22.97	401.00	21.53	379.92	20.12	361.39	18.74	336.17	17.39	319.36	16.51
	75	69	419.76	21.80	401.00	20.45	379.92	19.12	361.39	17.83	336.17	16.56	319.36	15.73

NOTE - Power Input = Compressor + Outdoor Fan Motor.  
 MBH = 1000 BTUs per hour.

## HEATING CAPACITY - THREE MODULE - VRA432H4

Combination (%)	Outdoor Temperature (°F)		Indoor Temperature - °F Dry Bulb											
			61		64		67		70		73		75	
	Dry Bulb	Wet Bulb	Total Cap. MBH	Power Input kW	Total Cap. MBH	Power Input kW	Total Cap. MBH	Power Input kW	Total Cap. MBH	Power Input kW	Total Cap. MBH	Power Input kW	Total Cap. MBH	Power Input kW
70%	-13	-13	174.20	40.61	173.82	41.70	173.52	42.80	173.12	43.86	172.74	44.83	172.48	45.53
	-8	-9	214.00	46.27	213.54	47.26	213.17	48.33	212.68	49.17	212.20	50.16	211.89	53.19
	-3	-4	242.80	51.86	242.28	52.68	241.86	53.67	241.30	54.22	240.76	55.20	240.41	56.58
	2	1	272.29	54.82	271.87	55.38	271.35	56.22	270.87	56.39	272.97	57.29	269.81	58.23
	7	6	292.42	53.29	292.15	53.30	291.82	53.31	290.44	53.32	287.18	53.33	279.44	53.33
	12	10	314.57	50.38	308.40	50.39	307.03	50.40	305.53	50.40	294.15	50.41	279.44	50.42
	17	15	331.77	46.35	325.39	46.35	320.32	46.36	316.21	46.36	294.15	46.37	279.44	46.37
	22	20	345.37	44.37	338.60	44.38	333.00	44.38	316.21	44.39	294.15	44.24	279.44	41.63
	27	24	360.99	43.48	350.49	43.49	335.80	43.49	316.21	42.52	294.15	39.05	279.44	36.79
	32	29	369.38	42.28	352.59	42.28	335.80	39.74	316.21	36.73	294.15	33.80	279.44	31.89
	37	34	369.38	39.29	352.59	36.63	335.80	34.03	316.21	31.51	294.15	29.05	279.44	27.45
	42	38	369.38	34.42	352.59	32.13	335.80	29.89	316.21	27.71	294.15	25.59	279.44	24.20
	47	43	369.38	29.84	352.59	27.89	335.80	25.99	316.21	24.13	294.15	22.31	279.44	21.13
	52	47	369.38	27.55	352.59	25.78	335.80	24.05	316.21	22.35	294.15	20.70	279.44	19.62
	57	52	369.38	25.10	352.59	23.51	335.80	21.95	316.21	20.43	294.15	18.95	279.44	17.98
	62	56	369.38	23.39	352.59	21.93	335.80	20.50	316.21	19.10	294.15	17.73	279.44	16.84
	67	61	369.38	21.52	352.59	20.20	335.80	18.90	316.21	17.63	294.15	16.39	279.44	15.57
72	66	369.38	19.89	352.59	18.68	335.80	17.50	316.21	16.35	294.15	15.21	279.44	14.47	
75	69	369.38	18.91	352.59	17.77	335.80	16.66	316.21	15.57	294.15	14.51	279.44	13.81	
60%	-13	-13	170.72	45.49	170.35	45.50	170.05	45.52	169.66	45.53	169.28	45.55	169.03	45.56
	-8	-9	206.98	49.29	204.33	49.30	201.82	49.32	199.06	49.33	196.81	49.34	194.54	49.35
	-3	-4	242.74	50.48	237.47	50.50	232.42	50.51	226.92	50.52	222.53	50.53	217.93	50.54
	2	1	278.73	52.24	270.57	52.25	262.71	52.26	254.20	52.27	247.44	52.28	240.26	52.28
	7	6	303.75	53.31	292.87	53.32	282.37	53.33	271.04	53.34	262.06	53.34	252.47	53.35
	12	10	309.69	50.40	296.84	50.41	284.42	50.41	271.04	50.42	260.46	50.43	249.11	50.43
	17	15	315.10	46.81	300.46	45.90	286.28	45.91	271.04	45.91	259.00	44.09	246.05	41.50
	22	20	319.13	45.27	304.31	44.39	289.95	43.49	271.04	40.16	252.13	36.93	239.52	34.83
	27	24	319.13	43.49	304.31	41.35	289.95	38.40	271.04	35.52	252.13	32.73	239.52	30.91
	32	29	319.13	38.30	304.31	35.74	289.95	33.25	271.04	30.82	252.13	28.46	239.52	26.92
	37	34	319.13	32.82	304.31	30.68	289.95	28.59	271.04	26.55	252.13	24.56	239.52	23.26
	42	38	319.13	28.85	304.31	27.00	289.95	25.19	271.04	23.42	252.13	21.70	239.52	20.57
	47	43	327.77	25.09	308.86	23.52	289.95	21.97	271.04	20.46	252.13	18.99	239.52	18.02
	52	47	327.77	23.23	308.86	21.80	289.95	20.39	271.04	19.01	252.13	17.66	239.52	16.77
	57	52	327.77	21.23	308.86	19.94	289.95	18.67	271.04	17.43	252.13	16.22	239.52	15.42
	62	56	327.77	19.83	308.86	18.64	289.95	17.47	271.04	16.33	252.13	15.21	239.52	14.47
	67	61	327.77	18.29	308.86	17.21	289.95	16.15	271.04	15.12	252.13	14.10	239.52	13.43
72	66	327.77	16.95	308.86	15.96	289.95	15.00	271.04	14.05	252.13	13.12	239.52	12.51	
75	69	327.77	16.14	308.86	15.22	289.95	14.30	271.04	13.41	252.13	12.53	239.52	11.95	
50%	-13	-13	167.30	45.53	166.94	45.54	166.65	45.55	166.27	45.57	165.90	45.58	165.65	45.59
	-8	-9	198.39	49.33	195.50	49.34	192.68	49.35	189.78	49.36	186.88	49.37	184.95	49.38
	-3	-4	228.29	50.52	222.50	50.53	216.77	50.54	210.96	50.55	205.17	50.56	197.28	50.56
	2	1	247.19	52.26	238.57	52.27	229.99	52.28	221.35	52.29	210.11	52.30	199.60	52.30
	7	6	259.60	53.33	248.35	53.34	237.13	53.35	225.87	53.35	210.11	53.36	199.60	53.37
	12	10	266.56	50.42	252.99	50.42	239.44	50.43	225.87	50.19	210.11	46.07	199.60	43.40
	17	15	273.14	45.91	257.38	45.18	241.62	41.93	225.87	38.77	210.11	35.69	199.60	33.70
	22	20	273.14	40.53	257.38	37.82	241.62	35.18	225.87	32.60	210.11	30.10	199.60	28.46
	27	24	273.14	35.84	257.38	33.49	241.62	31.21	225.87	28.97	210.11	26.80	199.60	25.38
	32	29	273.14	31.09	257.38	29.11	241.62	27.17	225.87	25.28	210.11	23.43	199.60	22.22
	37	34	273.14	26.78	257.38	25.11	241.62	23.48	225.87	21.88	210.11	20.32	199.60	19.29
	42	38	273.14	23.62	257.38	22.17	241.62	20.76	225.87	19.37	210.11	18.01	199.60	17.12
	47	43	273.14	20.63	257.38	19.39	241.62	18.18	225.87	16.99	210.11	15.83	199.60	15.06
	52	47	273.14	19.16	257.38	18.03	241.62	16.92	225.87	15.83	210.11	14.76	199.60	14.06
	57	52	273.14	17.57	257.38	16.55	241.62	15.55	225.87	14.57	210.11	13.61	199.60	12.98
	62	56	273.14	16.46	257.38	15.52	241.62	14.60	225.87	13.69	210.11	12.80	199.60	12.21
	67	61	273.14	15.23	257.38	14.38	241.62	13.54	225.87	12.71	210.11	11.90	199.60	11.36
72	66	273.14	14.15	257.38	13.37	241.62	12.61	225.87	11.85	210.11	11.11	199.60	10.62	
75	69	273.14	13.51	257.38	12.77	241.62	12.05	225.87	11.33	210.11	10.63	199.60	10.17	

NOTE - Power Input = Compressor + Outdoor Fan Motor.  
MBH = 1000 BTUs per hour.

## SYSTEM SELECTION

### **INTRODUCTION**

#### **MODEL SELECTION PROCEDURE**

**Select the model and calculate the capacity for each refrigerant system according to the procedure shown below:**

1. Calculate Indoor Air-Conditioning Load  
Calculate the maximum air-conditioning load for each room or zone.
2. Select Air Conditioning System  
Select the optimal air conditioning system for air conditioning of each room or zone.
3. Control System Design  
Design a suitable control system for the selected air conditioning system.
4. Preliminary Selection of Indoor And Outdoor Units  
Make preliminary capacity selections that are within the allowable range for the system.
5. Check Piping Length And Elevation Difference  
Check that the length of refrigerant piping and the elevation difference are within the allowable ranges.
6. Calculate Corrected Outdoor Unit Capacity  
Capacity correction coefficient for model, outdoor temperature conditions, piping length and elevation difference.
7. Calculate Actual Capacity for Each Indoor Unit  
Calculate the corrected indoor/outdoor capacity ratio, based on the corrected outdoor unit capacity and the total corrected capacity of all indoor units in the same system
8. Recheck the Actual Capacity for Each Indoor Unit  
If the capacity is inadequate, re-examine the unit combinations.

#### **INDOOR UNIT SELECTION**

Enter INDOOR UNIT CAPACITY TABLES at given indoor and outdoor temperature. Select the unit that the capacity is the nearest to and greater than the given load.

*NOTE - Individual indoor unit capacity is subject to change by the combination. Actual capacity has to be calculated according to the combination by using outdoor unit capacity table.*

#### **CALCULATION OF ACTUAL CAPACITY OF INDOOR UNIT**

Because the capacity of a multiple unit system changes according to the temperature conditions, refrigerant piping length, difference in elevation and other factors, select the correct model after taking into account the various correction values. When selecting the model, calculate the corrected capacities of the outdoor unit and each indoor unit. Use the corrected outdoor unit capacity and the total corrected capacity of all the indoor units to calculate the actual final capacity of each indoor unit.

#### **Find the Indoor Unit Capacity Correction Coefficient for the Following:**

1. Capacity correction for the indoor unit temperature conditions.  
From the graph of capacity characteristics, use the indoor temperature to find the capacity correction coefficient.
2. Capacity distribution ratio based on the indoor unit piping length and elevation difference.  
Use the piping length and elevation difference for each indoor unit to find the correction coefficient from the graph of capacity change characteristics.

**Capacity distribution ratio for each indoor unit = Correction coefficient for that indoor unit / Correction coefficient for the outdoor unit**

#### **OUTDOOR UNIT SELECTION**

**Allowable combinations are indicated in INDOOR UNIT COMBINATION TOTAL CAPACITY INDEX TABLE.**

In general, the outdoor unit can be selected as follows though the location of the unit, zoning and usage of the rooms:

- The indoor and outdoor unit combination is determined that the sum of indoor unit capacity index is nearest to and smaller than the capacity index at 100% combination ratio of each outdoor unit. Up to 8 to 16 indoor units can be connected to one outdoor unit. It is recommended to choose a larger outdoor unit if the installation space is large enough.
- If the combination ratio is greater than 100%, the indoor unit selection should be reviewed by using actual capacity of each indoor unit.

## SYSTEM SELECTION (CONTINUED)

### INDOOR UNIT COMBINATION TOTAL CAPACITY INDEX TABLE

Outdoor Unit Tons (kBtuh)	Indoor Unit Combination Ratio (kBtuh)								
	130%	120%	110%	100%	90%	80%	70%	60%	50%
6 (72)	93.6	86.4	79.2	72.0	64.8	57.6	50.4	43.2	36.0
8 (96)	124.8	115.2	105.6	96.0	86.4	76.8	67.2	57.6	48.0
10 (120)	156.0	144.0	132.0	120.0	108.0	96.0	84.0	72.0	60.0
12 (144)	187.2	172.8	158.4	144.0	129.6	115.2	100.8	86.4	72.0
14 (168)	218.4	201.6	184.8	168.0	151.2	134.4	117.6	100.8	84.0
16 (192)	249.6	230.4	211.2	192.0	172.8	153.6	134.4	115.2	96.0
18 (216)	280.8	259.2	237.6	216.0	194.4	172.8	151.2	129.6	108.0
20 (240)	312.0	288.0	264.0	240.0	216.0	192.0	168.0	144.0	120.0
22 (264)	343.2	316.8	290.4	264.0	237.6	211.2	184.8	158.4	132.0
24 (288)	374.4	345.6	316.8	288.0	259.2	230.4	201.6	172.8	144.0
26 (312)	405.6	374.4	343.2	312.0	280.8	249.6	218.4	187.2	156.0
28 (336)	436.8	403.2	369.6	336.0	302.4	268.8	235.2	201.6	168.0
30 (360)	468.0	432.0	396.0	360.0	324.0	288.0	252.0	216.0	180.0
32 (384)	499.2	460.8	422.4	384.0	345.6	307.2	268.8	230.4	192.0
34 (408)	530.4	489.6	448.8	408.0	367.2	326.4	285.6	244.8	204.0
35 (432)	561.6	518.4	475.2	432.0	388.8	345.6	302.4	259.2	216.0

### INDOOR UNIT CAPACITY INDEX

Unit Size	007	009	012	015	018	024	030	036	048	054	072	096
Capacity Index kBtuh)	7	9	12	15	18	24	30	36	48	54	72	96

### ACTUAL PERFORMANCE DATA

#### Use Outdoor Unit Capacity Tables

Determine correct table according to the outdoor unit model and combination ratio.

Enter the table at the given indoor and outdoor temperature to determine the outdoor unit capacity and power input.

The individual indoor unit capacity (power input) can be calculated as follows:

$$IUC = OUC \times INX / TNX$$

#### Legend:

IUC = Each Indoor Unit Capacity

OUC = Outdoor Unit Capacity

INX: Each Indoor Unit Capacity Index

TNX: Total Capacity Index

Then, correct indoor unit capacity according to the piping length.

If the corrected capacity is smaller than the load, the size of indoor unit must be increased.

Repeat the same selection procedure.



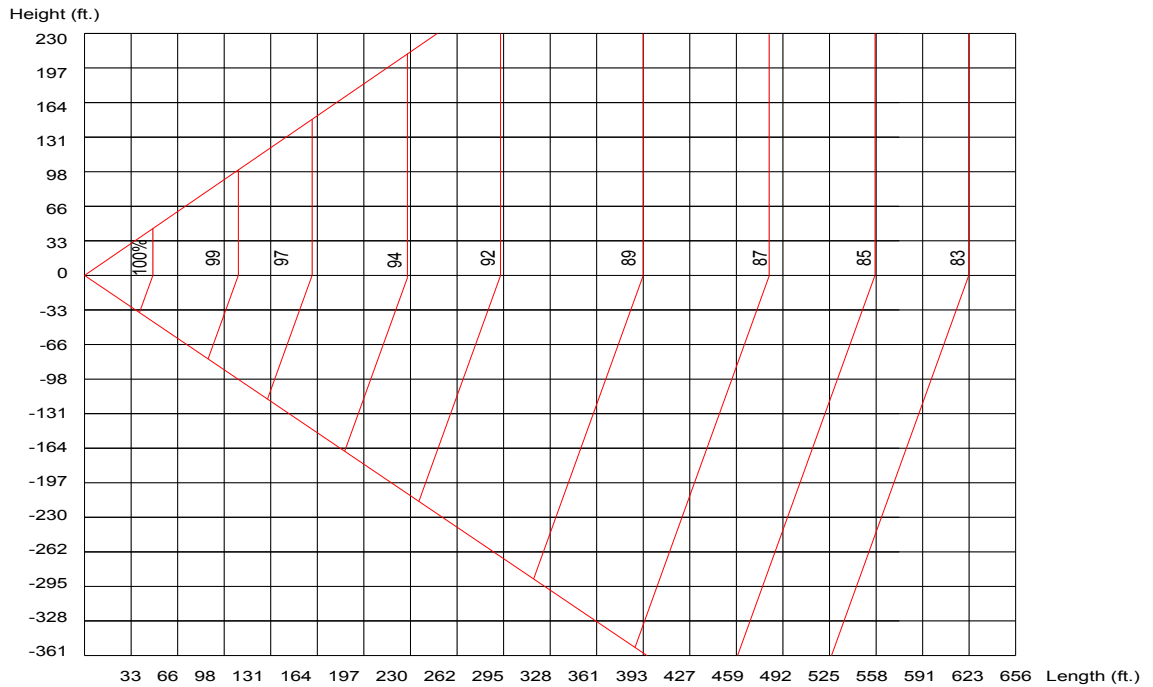
## SYSTEM SELECTION (CONTINUED)

### COOLING AND HEATING CAPACITY CORRECTION FACTORS

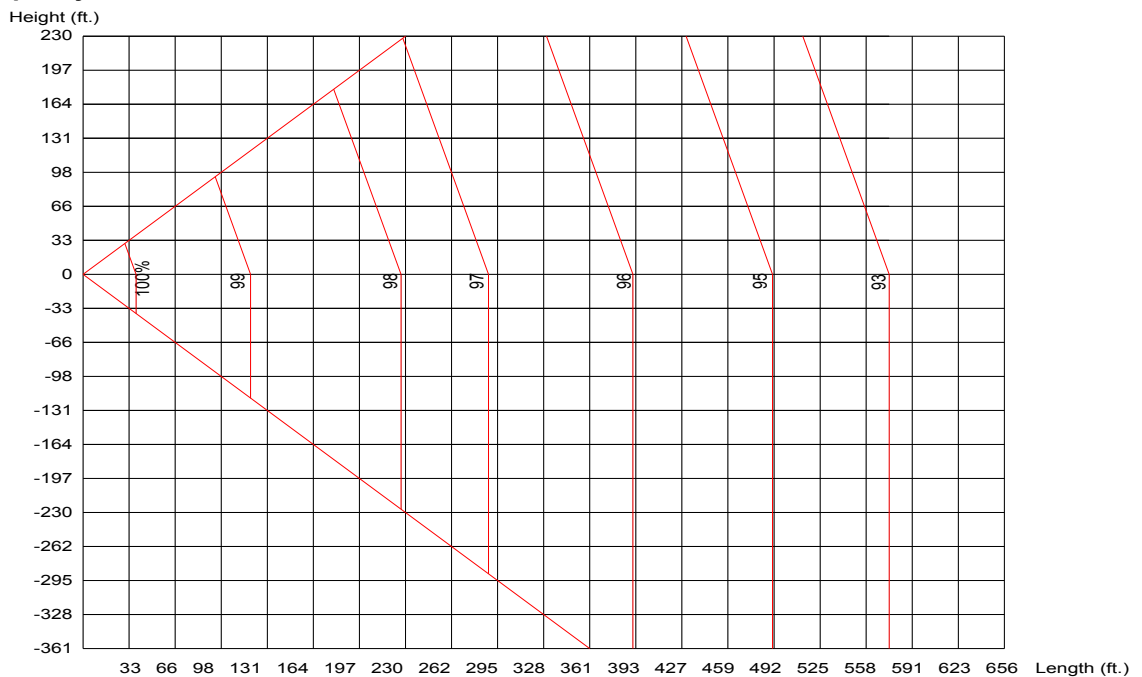
#### Cooling Capacity Modification

Modification coefficient of the length and height difference of refrigerant pipe:

#### Cooling Capacity Modification



#### Heating Capacity Modification



L = Length of equivalent refrigerant pipe.

H = Height difference between outdoor and indoor unit.

Positive data means outdoor unit is above indoor unit.

Negative data means outdoor unit is below indoor unit.

### CORRECTION FACTORS - DEFROST DERATE CAPACITY

Outdoor Temperature DB (°F)	-13	-9	14	17	19.4	23	26.6	32	37.4	41	47
Derate Factor	0.98	0.98	0.98	0.98	0.98	0.95	0.93	0.86	0.93	0.96	1.00

NOTE - Derate Factor - Use the capacity obtained in the heating rating table and apply the appropriate correction factor based on the outdoor temperature to obtain the average performance including the defrost cycle.

## SYSTEM SELECTION (CONTINUED)

### UNIT SELECTION EXAMPLE (BASED ON COOLING LOAD)

#### 1. GIVEN CONDITION

Cooling: Indoor temperature 68°F WB, outdoor temperature 95°F DB.

#### Cooling Load

Location	Room A	Room B	Room C	Room D	Room E	Room F
Load (Btuh)	7,170	9,559	11,900	15,700	19,790	24,570

NOTE - Piping length = 164 ft.; Height difference between indoor unit and outdoor unit = 98.4 ft.

#### 2. INDOOR UNIT SELECTION

Select the suitable capacity for condition of Indoor 68°F WB, Outdoor 95°F DB using indoor unit capacity table. The selected result is as follows. (Assume the indoor unit type is a duct type model).

Location	Room A	Room B	Room C	Room D	Room E	Room F
Load (Btuh)	2.1 (7,170)	2.8 (9,559)	3.5 (11,900)	4.6 (15,700)	5.8 (19,790)	7.2 (24,570)
Model	007	009	012	015	018	024
Capacity (Btuh)	7,000	9,000	12,000	15,000	18,000	24,000

#### 3. OUTDOOR UNIT SELECTION

Example: Assume the indoor unit and outdoor unit combination is as follows:

Calculate the total nominal capacity of all indoor units in the combination according to the above table:

$$\bullet 7,000 \times 1 + 9,000 \times 1 + 12,000 \times 1 + 15,000 \times 1 + 18,000 \times 1 + 24,000 \times 1 = 85,000 \text{ Btuh}$$

Select outdoor unit - VRA096H4, which has the nominal cooling capacity of 96,000 Btuh:

Calculate the proportion between the indoor units and outdoor unit -  $85,000 / 96,000 = 89\%$

Result - Based on the Indoor Unit Combination Total Capacity Index Table the proportion (89%) is within 50-130%.

#### Real function data with indoor unit combination:

- For the 89% combination, calculate the cooling capacity of outdoor unit (VRA096H4).
- 76,800 Btuh ←80% (Indoor temperature: 68°F WB, Outdoor temperature: 95°F DB)
- 86,400 Btuh ←90%(Indoor temperature: 68°F WB, Outdoor temperature: 95°F DB)

Then calculate the outdoor capacity in 89% combination index:

Result:  $76,800 + \{(86,400 - 76,800) / 10\} \times 9 = 85,440 \text{ Btuh}$ ;

- Outdoor unit ((VRA096H4)) cooling temperature: 95°F DB
- Capacity modification coefficient with pipe length (164 ft.) and height difference (98.4 ft.) - 0.968
- Each indoor unit cooling capacity

Room A - VMDA007S4 ( $85,440 \times 7,000 / 85,000 \times 0.968 = 6,811 \text{ Btuh}$ )

Room B - VMDA009S4 ( $85,440 \times 9,000 / 85,000 \times 0.968 = 8,757 \text{ Btuh}$ )

Room C - VMDA012S4 ( $85,440 \times 12,000 / 85,000 \times 0.968 = 11,676 \text{ Btuh}$ )

Room D - VMDA015S4 ( $85,440 \times 15,000 / 85,000 \times 0.968 = 14,595 \text{ Btuh}$ )

Room E - VMDA018S4 ( $85,440 \times 18,000 / 85,000 \times 0.968 = 17,514 \text{ Btuh}$ )

Room F - VMDA024S4 ( $85,440 \times 24,000 / 85,000 \times 0.968 = 23,352 \text{ Btuh}$ )

Location	Room A	Room B	Room C	Room D	Room E	Room F
Load (Btuh)	7,170	9,559	11,900	15,700	19,790	24,570
Model	007	009	012	015	018	024
Capacity (Btuh)	6,811	8,757	11,676	14,595	17,514	23,352

In this sample, the other capacity modification indexes are not be considered and are assumed to be 1.0.

For more details about the effect factor such as outside ambient / inside ambient DB / WD, please refer to the performance capacity table of indoor and outdoor units.



## REVISIONS

Sections	Description of Change
AHRI Ratings	AHRI Reference Number updated for VRA168, VRA192, VRA312 systems.



Visit us at [www.lennox.com](http://www.lennox.com)

For the latest technical information, [www.lennoxcommercial.com](http://www.lennoxcommercial.com)

Contact us at 1-800-4-LENNOX

NOTE - Due to Lennox' ongoing commitment to quality, Specifications, Ratings and Dimensions subject to change without notice and without incurring liability. Improper installation, adjustment, alteration, service or maintenance can cause property damage or personal injury. Installation and service must be performed by a qualified installer and servicing agency.

©2018 Lennox Industries, Inc.