



# SUBMITTAL DATA - **OUTDOOR UNIT**

## **VPA072L4M-2G**

### **LOW AMBIENT HEATING VRF HEAT PUMP**

**Job:** \_\_\_\_\_

**Location:** \_\_\_\_\_

**Schedule No.:** \_\_\_\_\_

**System Designation:** \_\_\_\_\_

**Engineer:** \_\_\_\_\_

**Architect:** \_\_\_\_\_

**Date:** \_\_\_\_\_

For: Reference Approval Review Construction

#### FEATURES

- 75% Heating Capacity at -13°F
- 100% Heating Capacity at 15°F
- Built-in Base Pan Heater
- Hinged electrical box for ease of maintenance
- Dual high efficiency DC Inverter scroll compressors

#### SPECIFICATIONS

##### PERFORMANCE

|                                       |                    |        |
|---------------------------------------|--------------------|--------|
| Cooling Capacity <sup>1</sup> (Btu/h) | Nominal            | 72,000 |
|                                       | Rated <sup>2</sup> | 69,000 |
| EER                                   | Ducted             | 11.80  |
|                                       | Non-Ducted         | 13.00  |
| IEER                                  | Ducted             | 21.50  |
|                                       | Non-Ducted         | 23.00  |
| Heating Capacity <sup>1</sup> (Btu/h) |                    | 77,000 |
| COP <sub>47</sub>                     | Ducted             | 3.68   |
|                                       | Non-Ducted         | 4.05   |
| COP <sub>17</sub>                     | Ducted             | 2.25   |
|                                       | Non-Ducted         | 2.53   |

##### ELECTRICAL DATA

|                                     |          |
|-------------------------------------|----------|
| Power Supply <sup>3</sup> (V/Hz/Ph) | 460/60/3 |
| Minimum Circuit Ampacity (A)        | 27.6     |
| Maximum Overcurrent Protection (A)  | 35       |
| Compressor RLA (A)                  | 10/9     |
| No. of Compressors                  | 2        |
| Outdoor Fan Power Input (W)         | 750+750  |
| Outdoor Fan FLA (A)                 | 1.8/1.8  |

##### GENERAL DATA

|                            |             |
|----------------------------|-------------|
| Connection Ratio           | 50% to 130% |
| Max # of Indoor Units      | 13 units    |
| Refrigerant type           | R-410A      |
| Factory refrigerant charge | 22 lbs.     |

##### DIMENSIONS

|                             |        |        |
|-----------------------------|--------|--------|
| Unit Dimensions (in)        | Height | 63-1/8 |
|                             | Width  | 49-1/4 |
|                             | Depth  | 30-1/8 |
| Liquid Pipe Connection (in) |        | 1/2    |
| Gas Pipe Connection (in)    |        | 7/8    |
| Net Weight (lb)             |        | 781    |



#### WARRANTY<sup>4</sup>

- Compressors - 10 year limited warranty
- All other components - 10 year limited warranty

#### NOTES

1. Cooling and Heating Capacity data is rated at the following conditions:  
Cooling: 80°FDB / 67°FWB Indoor, 95°FDB Outdoor  
Heating: 70°FDB Indoor, 47°FDB / 43°FWB Indoor
2. Complies with AHRI 1230-2014 testing standards
3. Operating Voltage Range: 423V to 497V
4. See Warranty for Details



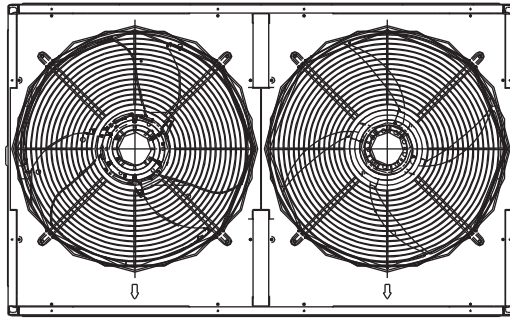


# SUBMITTAL DATA - **OUTDOOR UNIT**

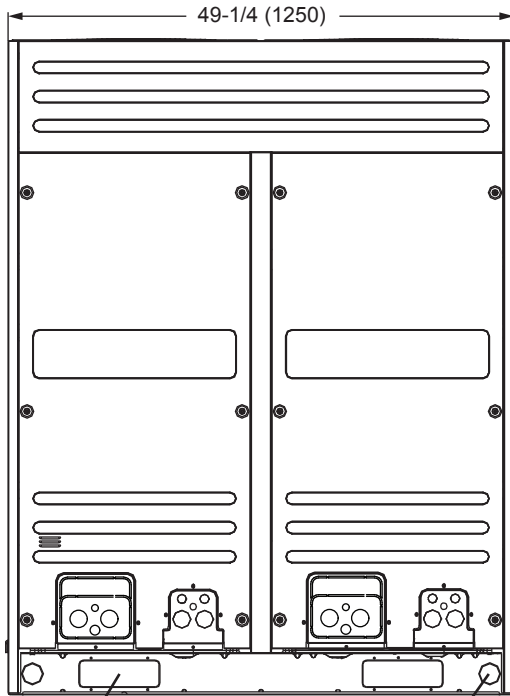
## **VPA072L4M-2G**

### **LOW AMBIENT HEATING VRF HEAT PUMP**

#### **DIMENSIONS - INCHES (MM)**



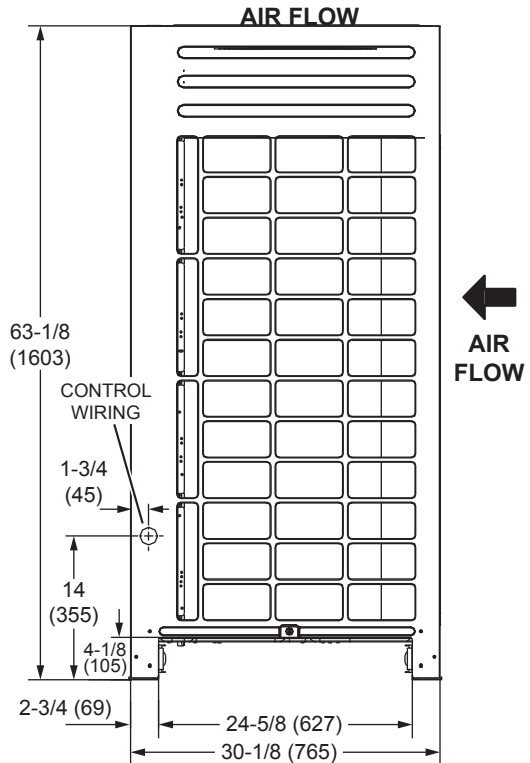
**TOP VIEW**



FORKLIFT SLOT  
(BOTH SIDES)

LIFTING HOLES  
(FOR RIGGING)

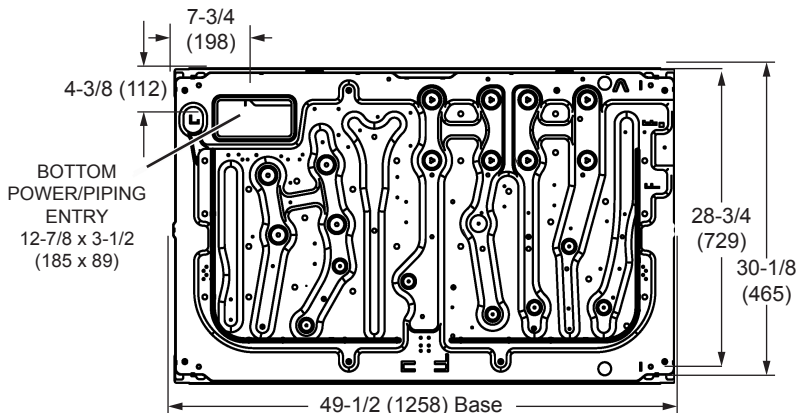
**FRONT VIEW**



**AIR FLOW**

**AIR FLOW**

**SIDE VIEW**



BOTTOM  
POWER/PIPING  
ENTRY  
12-7/8 x 3-1/2  
(185 x 89)

**BASE VIEW**

DISCLAIMER – Due to Lennox' ongoing commitment to quality, Specifications, Ratings and Dimensions subject to change without notice and without incurring liability. Improper installation, adjustment, alteration, service or maintenance can cause property damage or personal injury. Installation and service must be performed by a qualified installer and servicing agency.